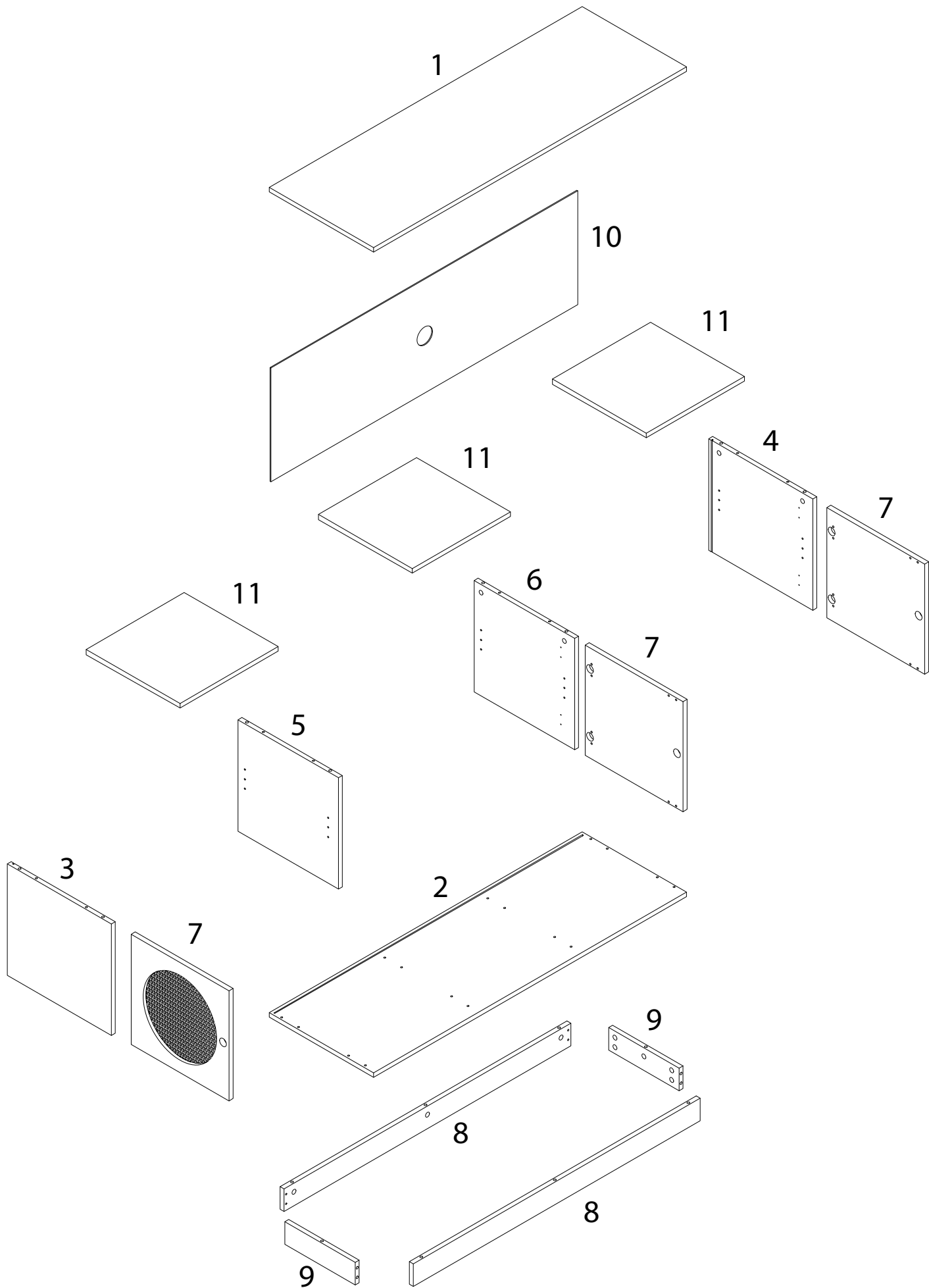
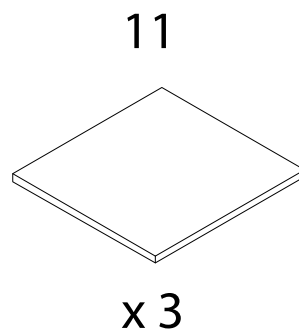
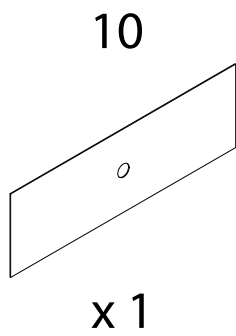
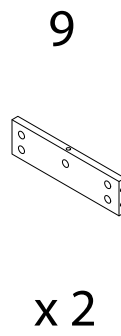
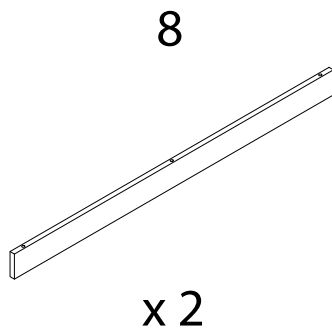
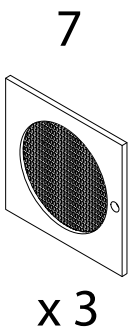
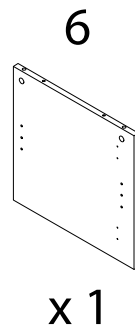
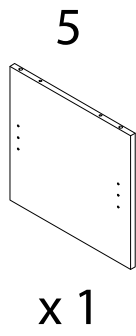
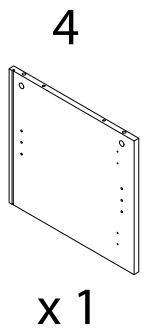
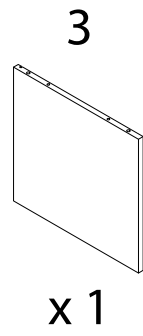
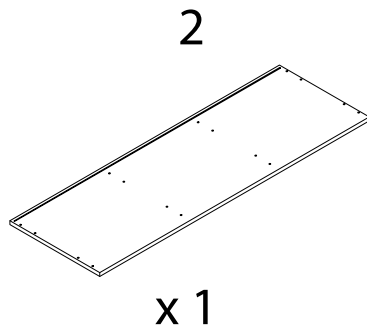
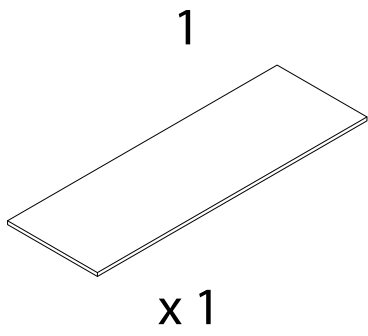


Diagram illustrating assembly instructions and safety warnings:

- Top Section:** Shows a screwdriver and a power drill with a slash through it, indicating that a power drill should not be used. A warning triangle with an exclamation mark is positioned to the right. Below this is a clock icon and the text "60'", indicating a 60-minute time limit.
- Bottom Section:** Shows a rectangular block being placed on a textured surface and another block with a slash through it, indicating that the block should not be placed on a soft surface. A warning triangle with an exclamation mark is positioned to the right. Below this is a person icon and the number "2", indicating that two people are required for assembly.



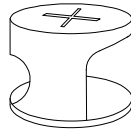


A



x 24

B



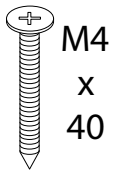
x 24

C



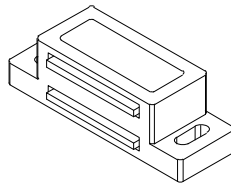
x 16

D



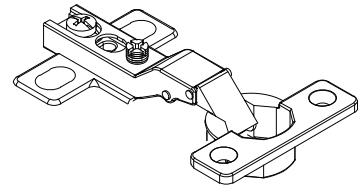
x 8

E



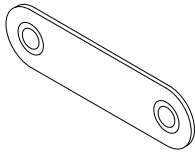
x 3

F



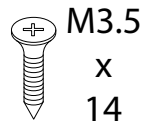
x 6

G



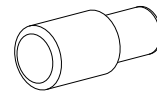
x 3

H



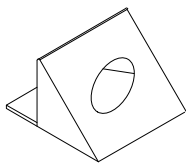
x 46

I



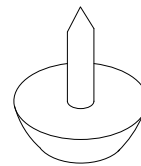
x 12

J



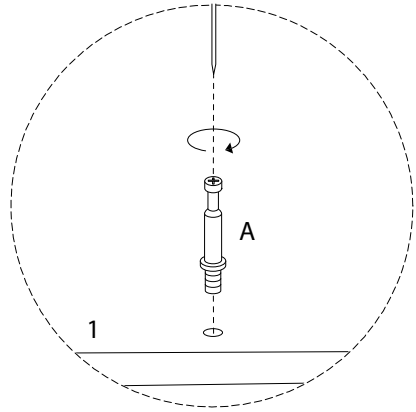
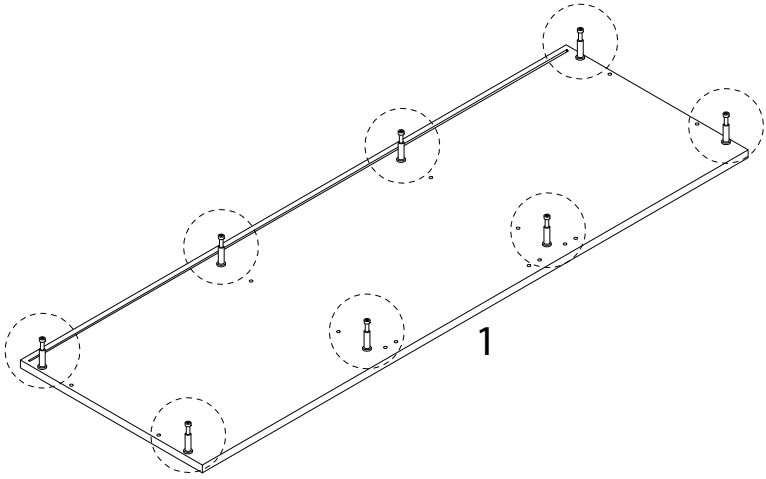
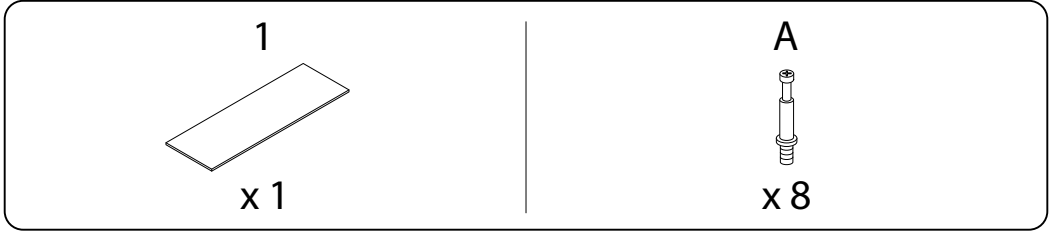
x 10

K

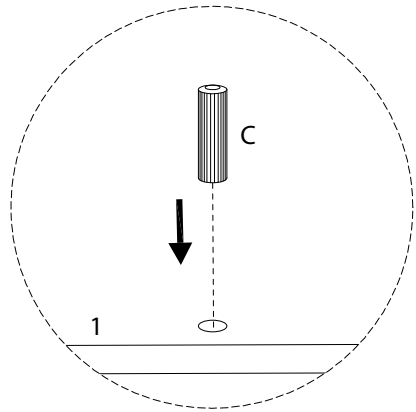
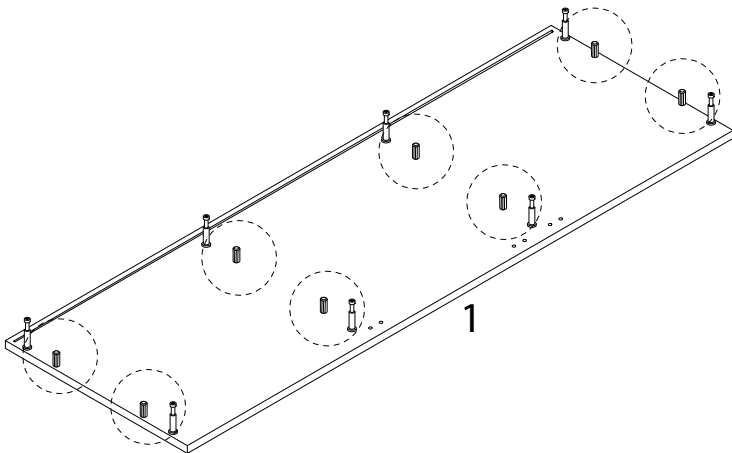
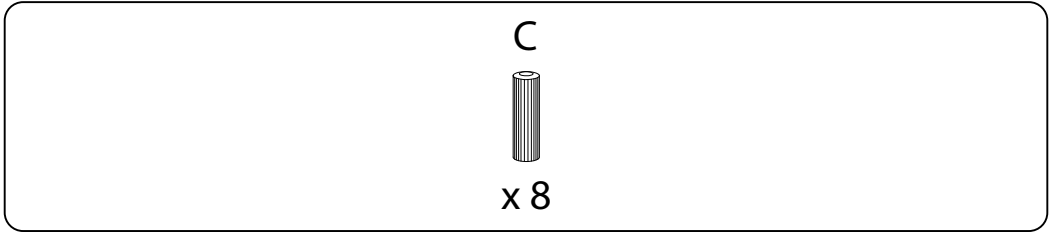


x 8

1

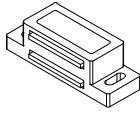


2



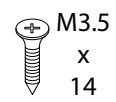
3

E

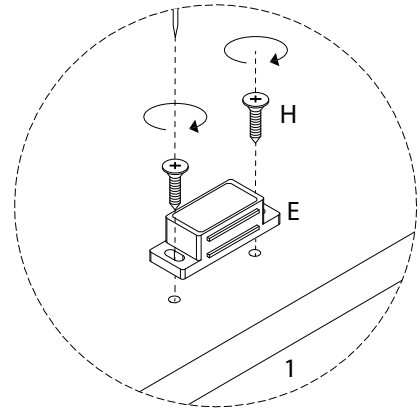
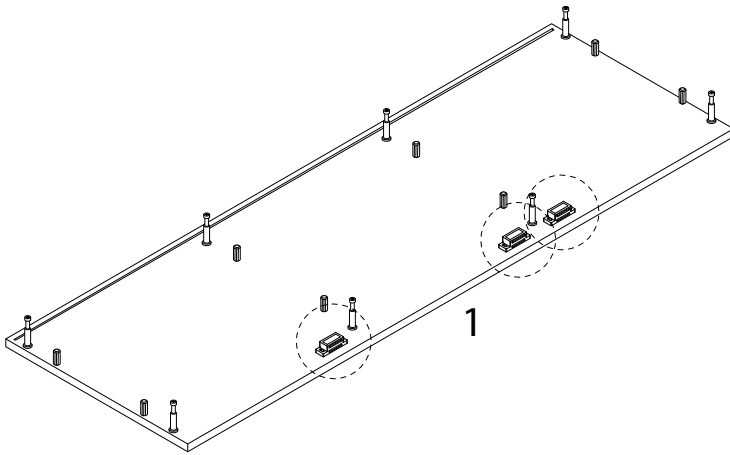


x 3

H

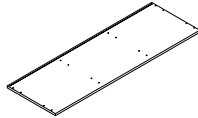


x 6



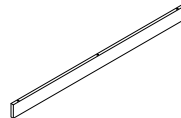
4

2



x 1

8

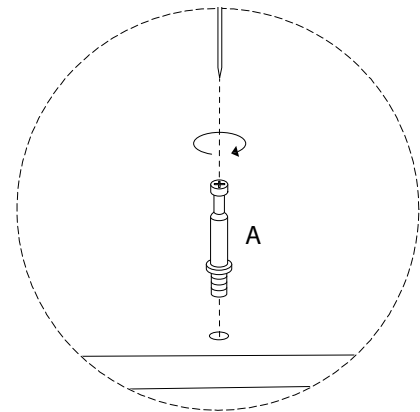
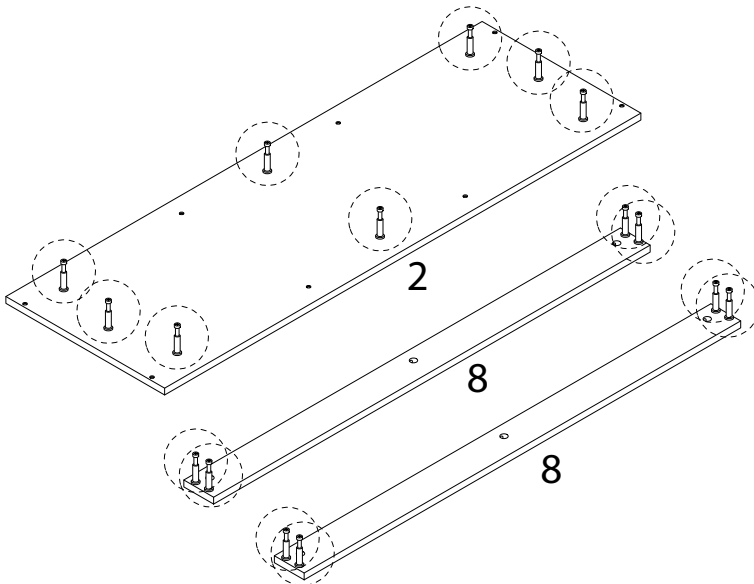


x 2

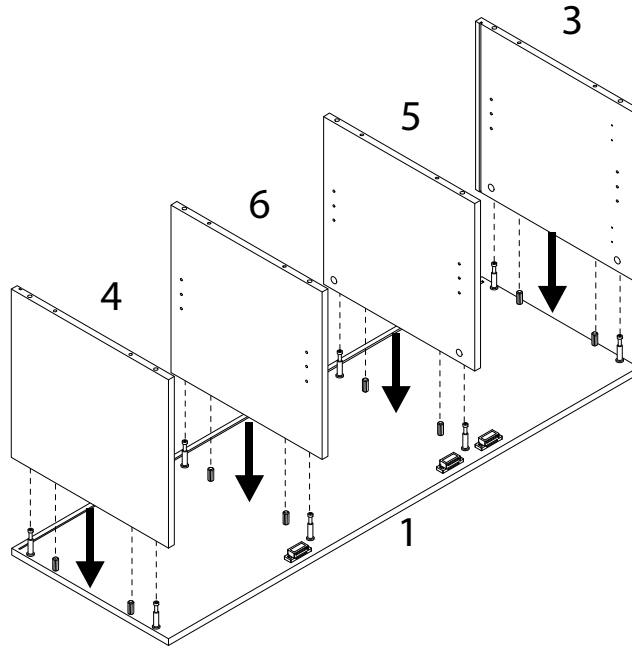
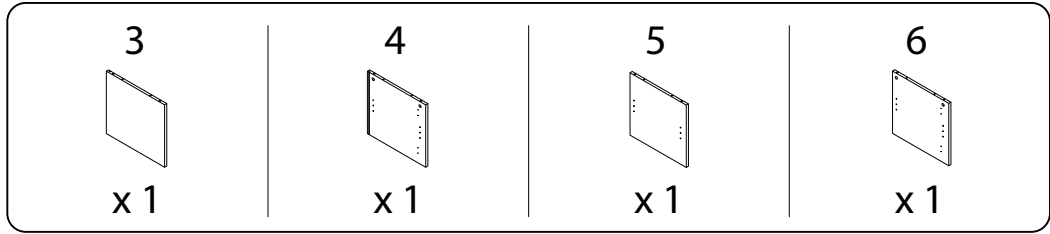
A



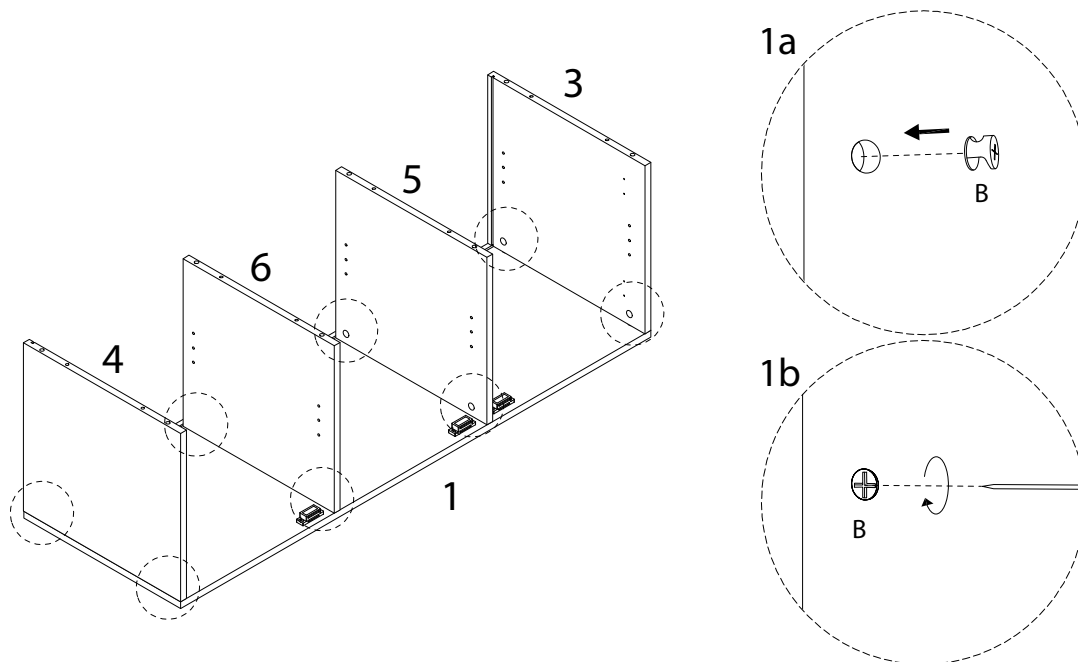
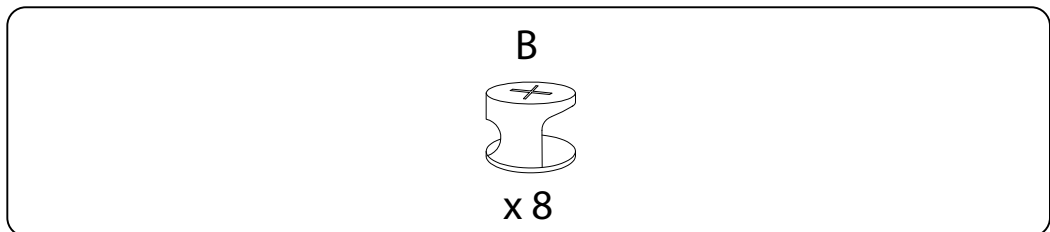
x 16



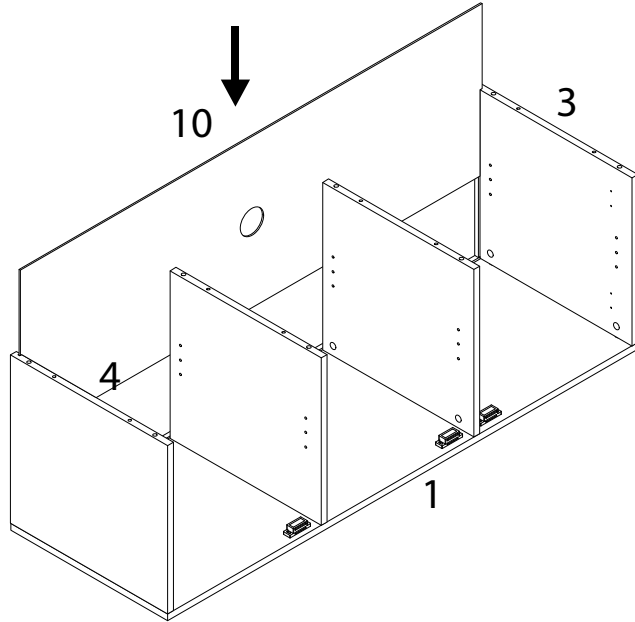
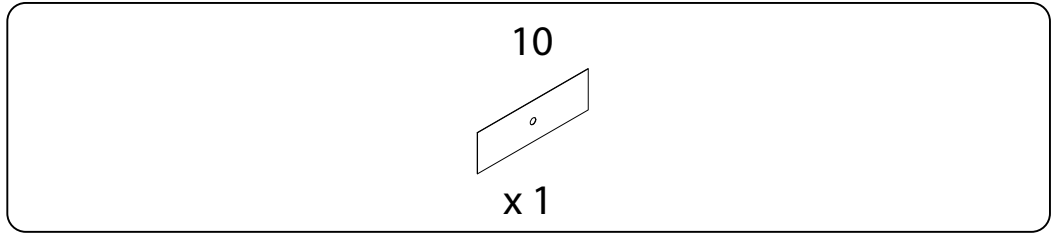
5



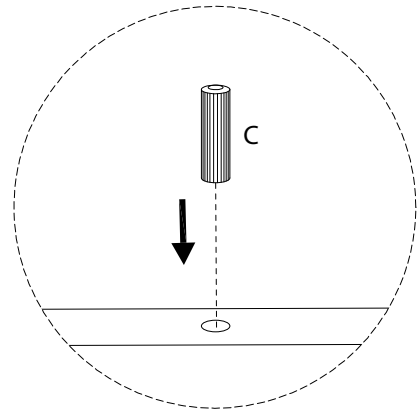
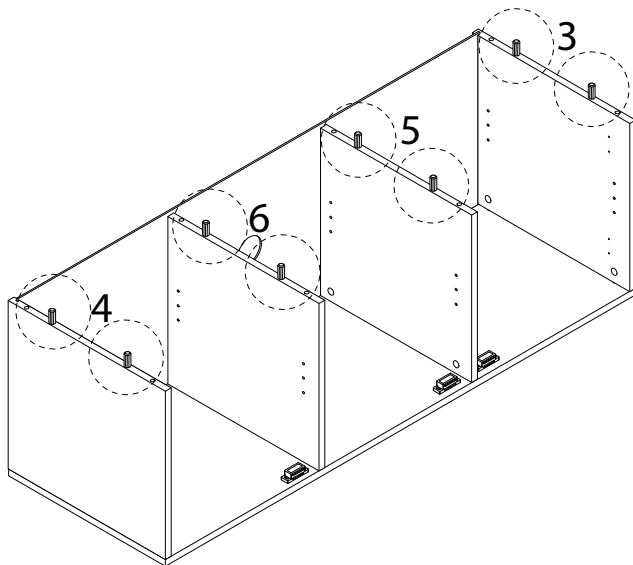
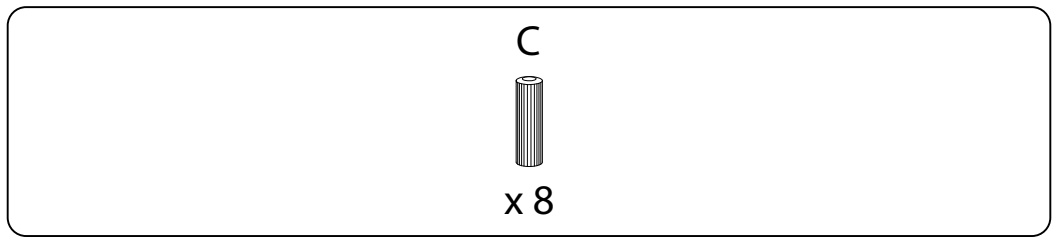
6



7

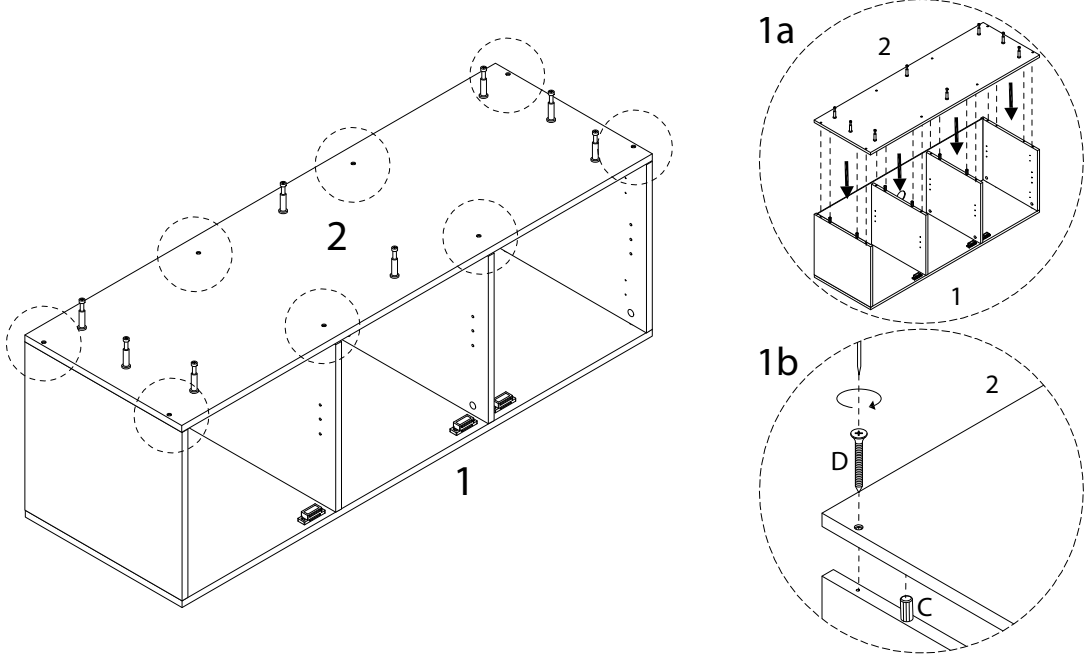


8



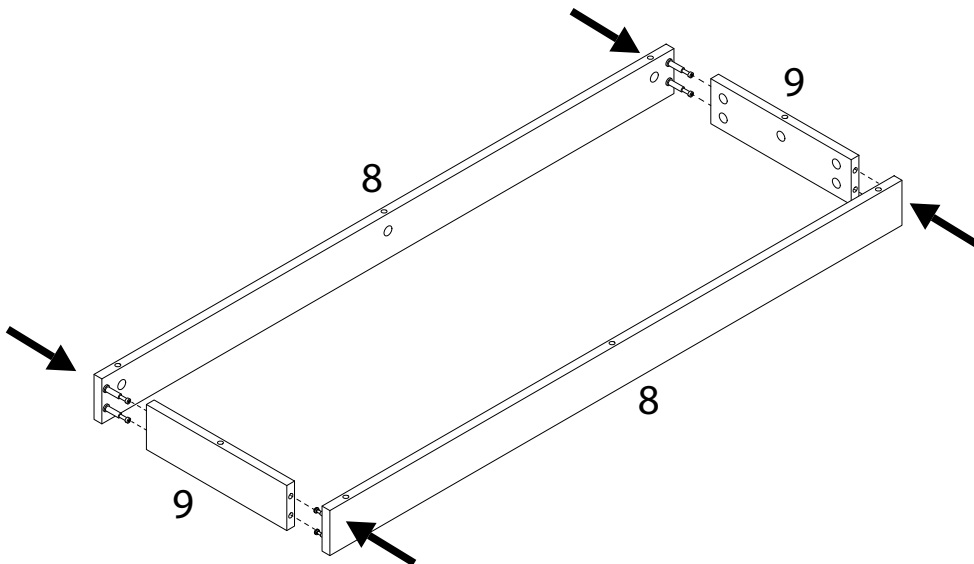
9

D
M4
x
40
x 8



10

9
x 2

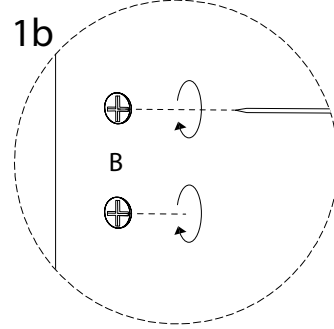
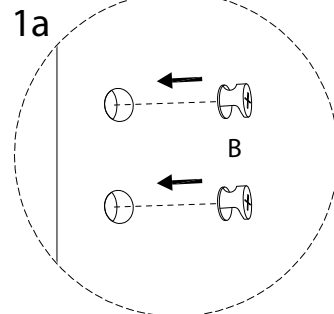
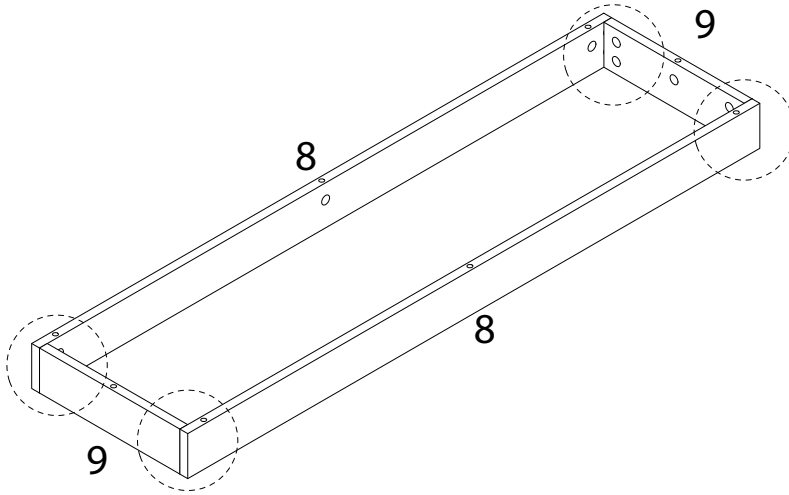


11

B



x 8

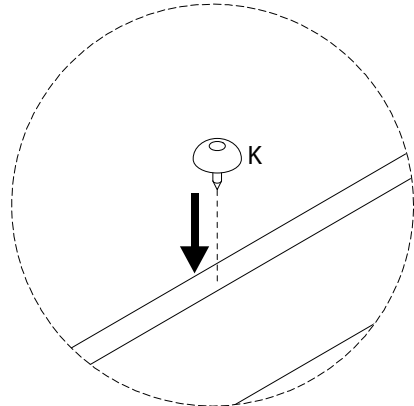
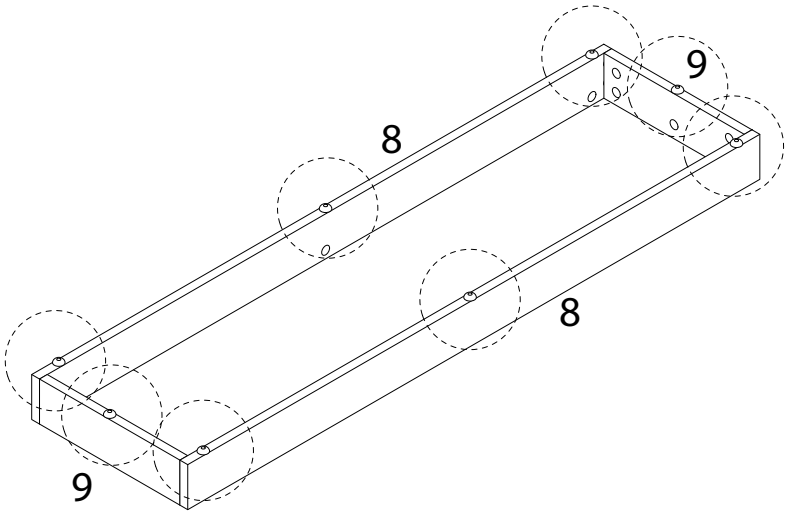


12

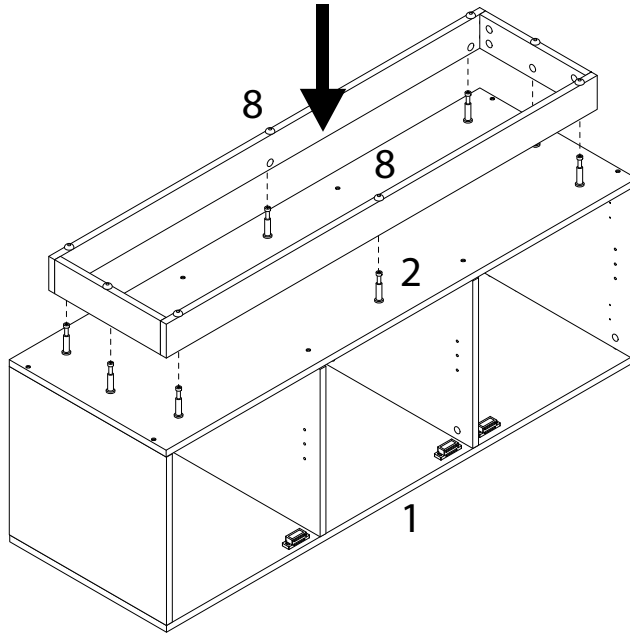
K



x 8

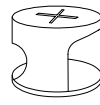


13

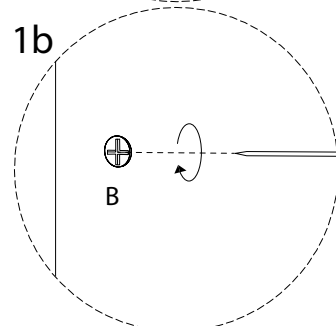
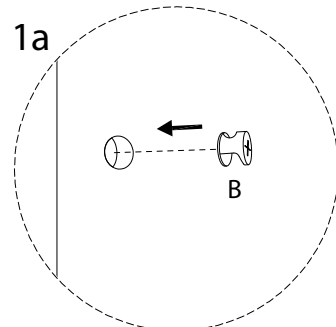
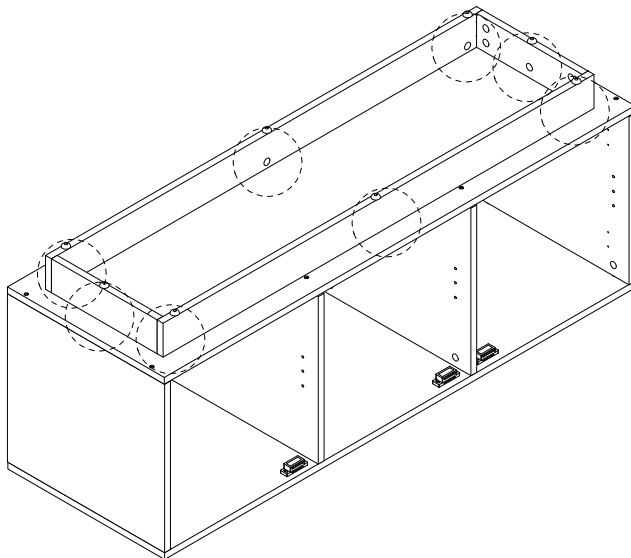


14

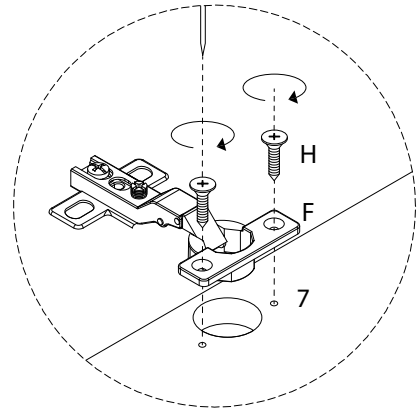
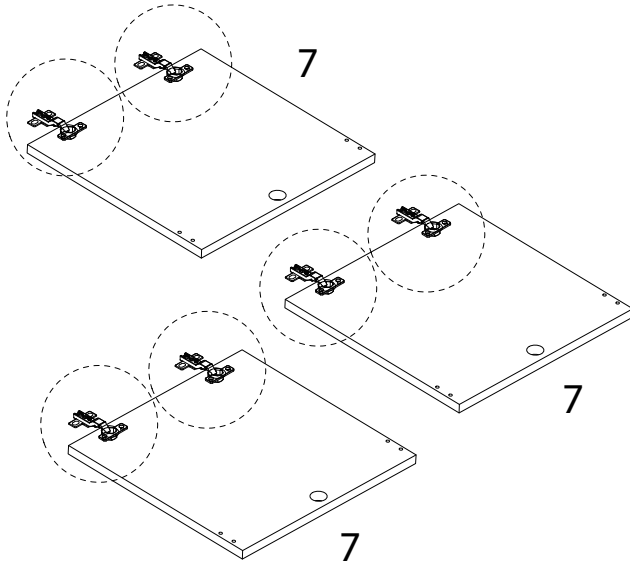
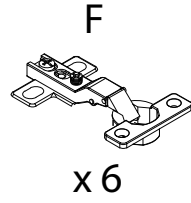
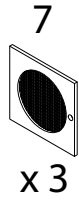
B



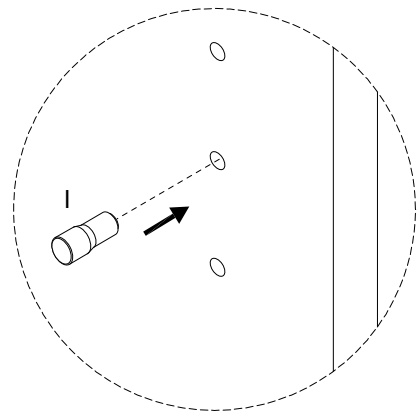
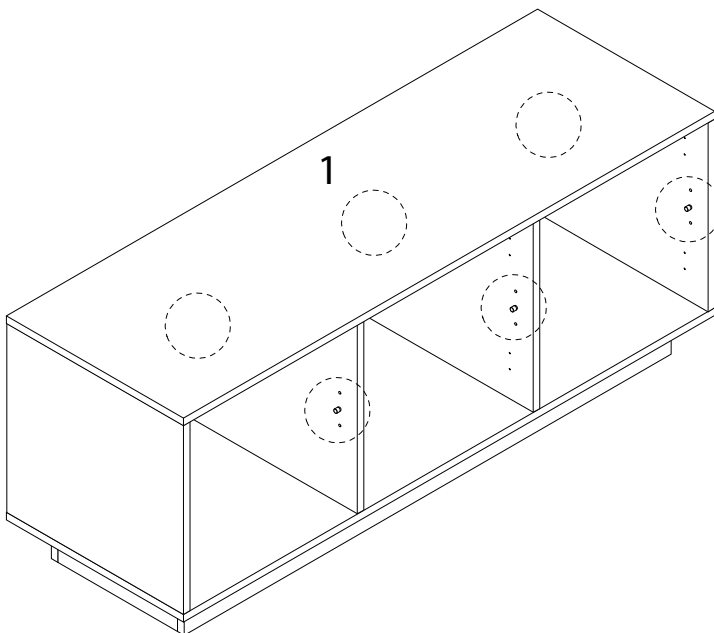
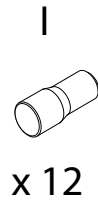
x 8



15

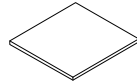


16

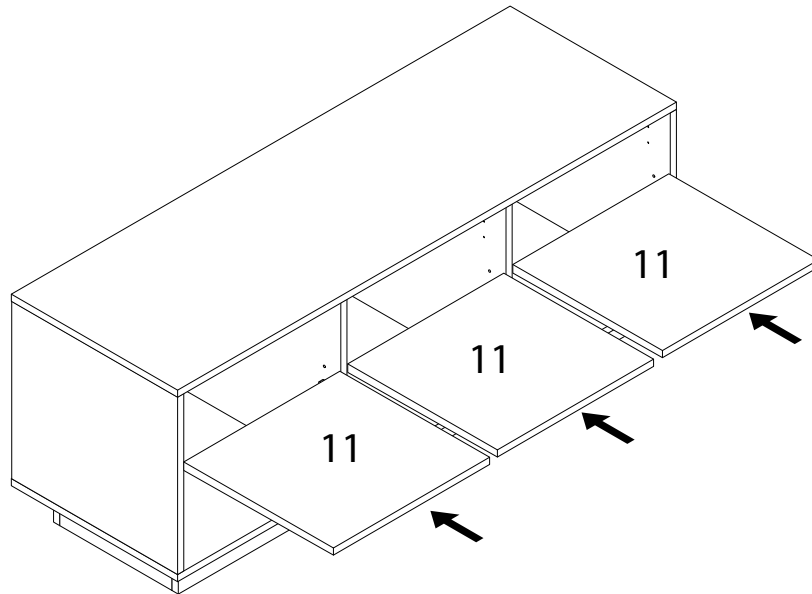


17

11



x 3



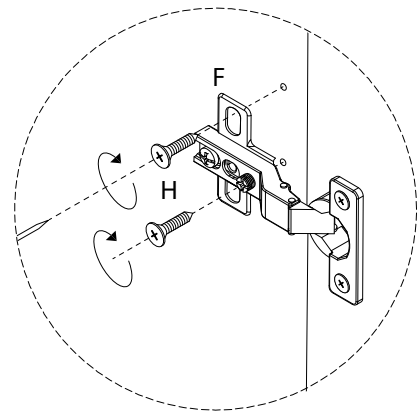
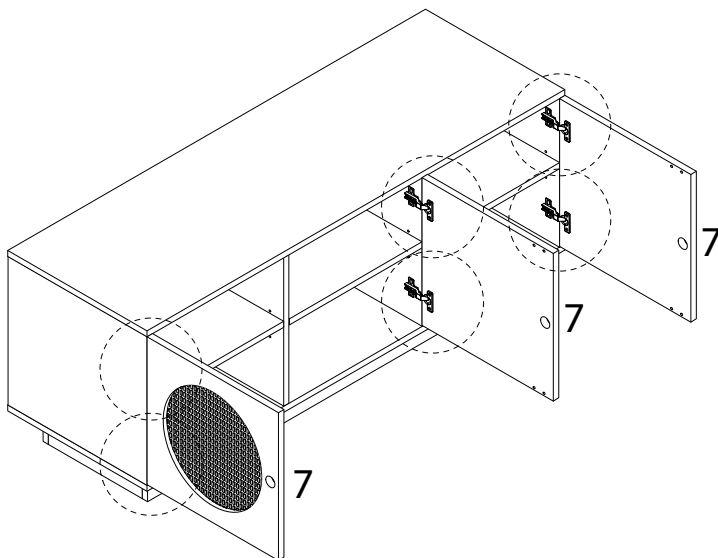
18

H

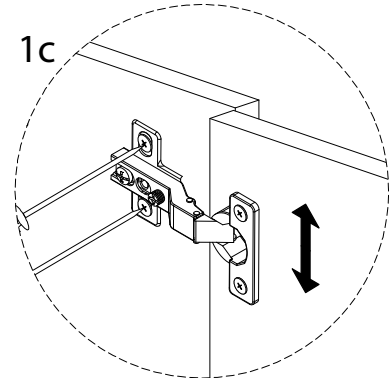
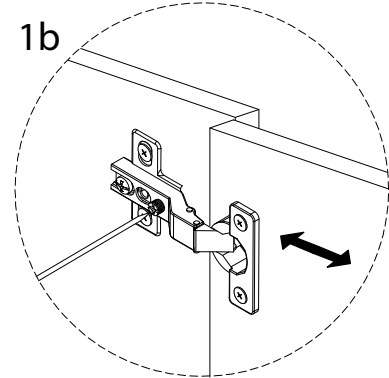
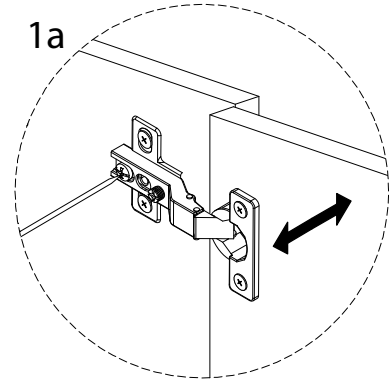
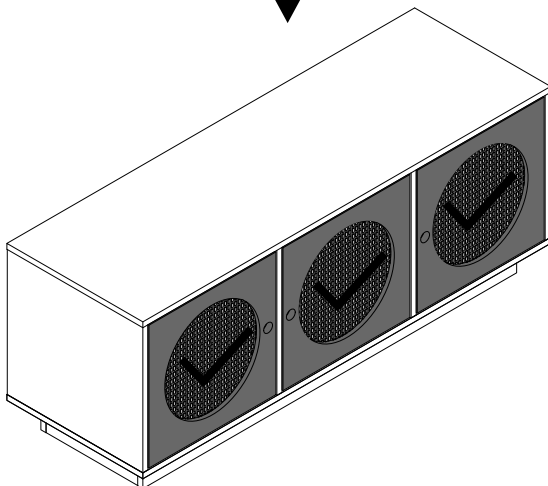
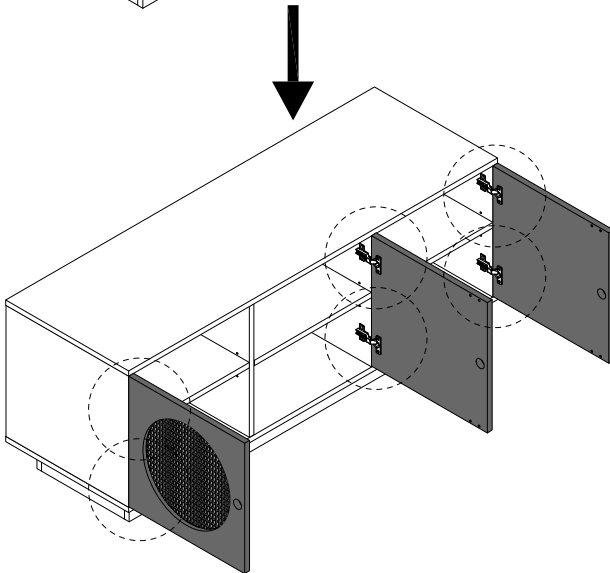
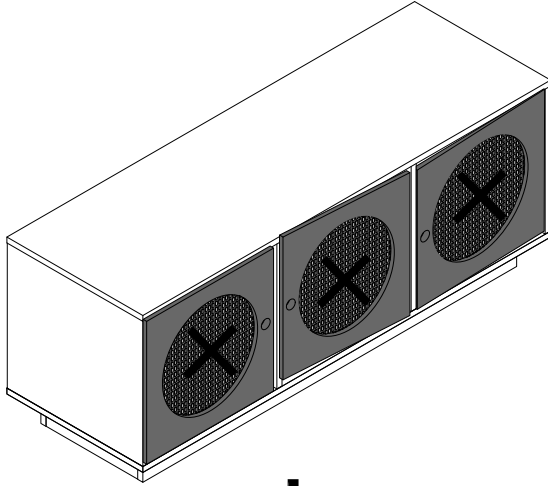


x 14

x 12

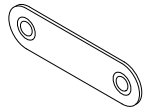


!



19

G

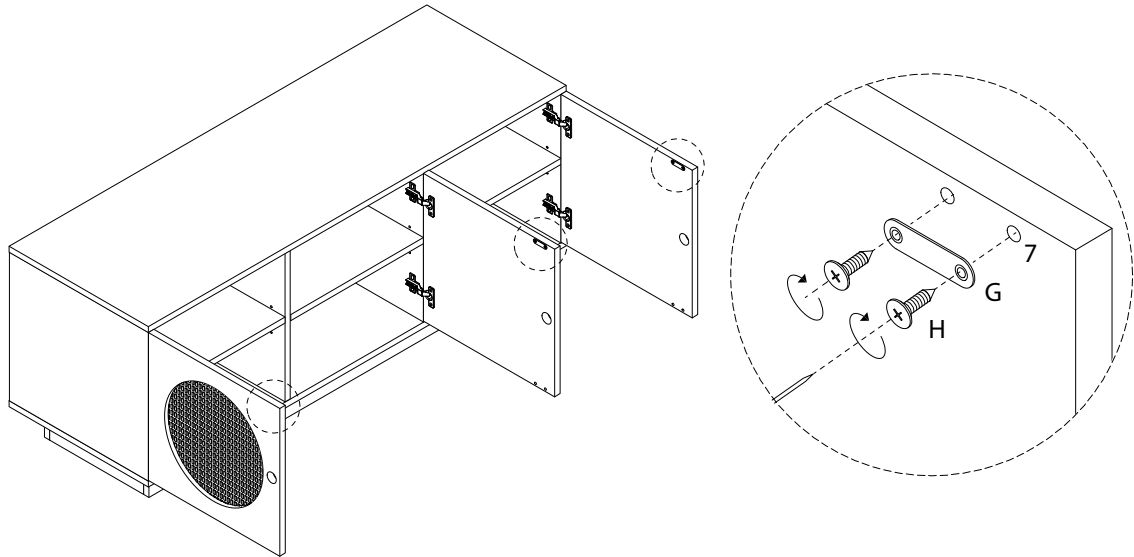


x 3

H



M3.5
x
14
x 6



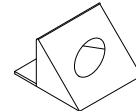
20

H



M3.5
x
14
x 10

J



x 10

