




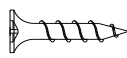
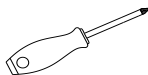


KEEP INSTRUCTIONS
FOR FUTURE USE

Assembly Instructions

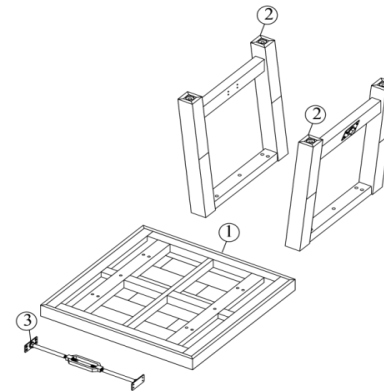
ASSEMBLY REQUIRES
TWO PEOPLE



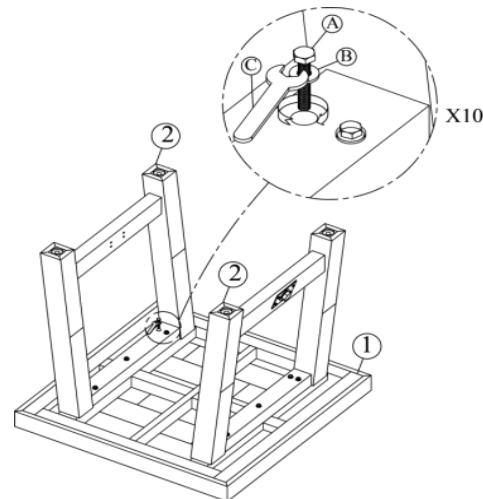
Hardware and Tools		
A	Ex: Bolt	
	Qty: 10	
B	Ex: Washer	
	Qty: 10	
C	Ex : Hex Key	
	Qty: 01	
D	Ex : Screw	
	Qty: 08	
E	Ex : Screwdriver	
	Qty: 01	

Components:

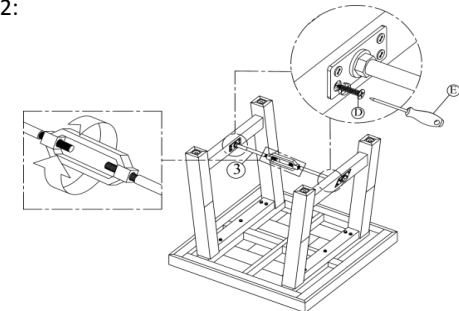
1	TABLE TOP x 1
2	LEG x 2
3	METAL STRUT x 2



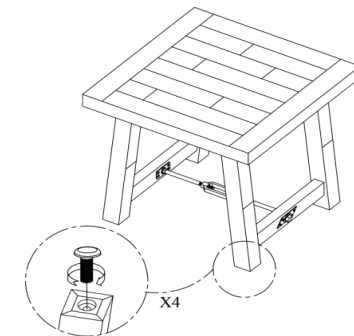
Step 1:



Step 2:



Step 3:



Before Starting:

1. Choose a clean, level, spacious assembly area. Avoid hard surfaces that may damage the product.
2. Always read the instructions carefully before beginning assembly to ensure that you have all required contents.
3. To prevent choking hazards, keep the packaging material out of reach of small children
4. Do not over tighten the bolts as this may damage the thread.
5. Use only vendor supplied hardware to assemble. Using unauthorized hardware could jeopardize the structural integrity of the item.
6. The use of power tools to aid in assembly is not recommended. Power tools can damage hardware and split wood.