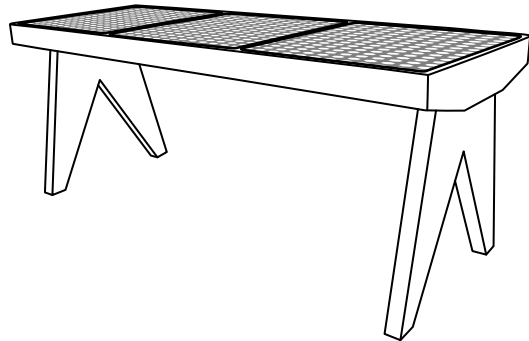
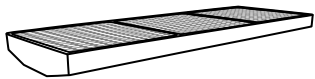


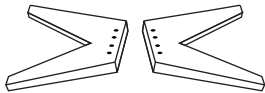
Assembly Instructions



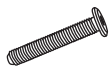
(1) A



(2) B



8 PCS



8 PCS



1 PC



1

