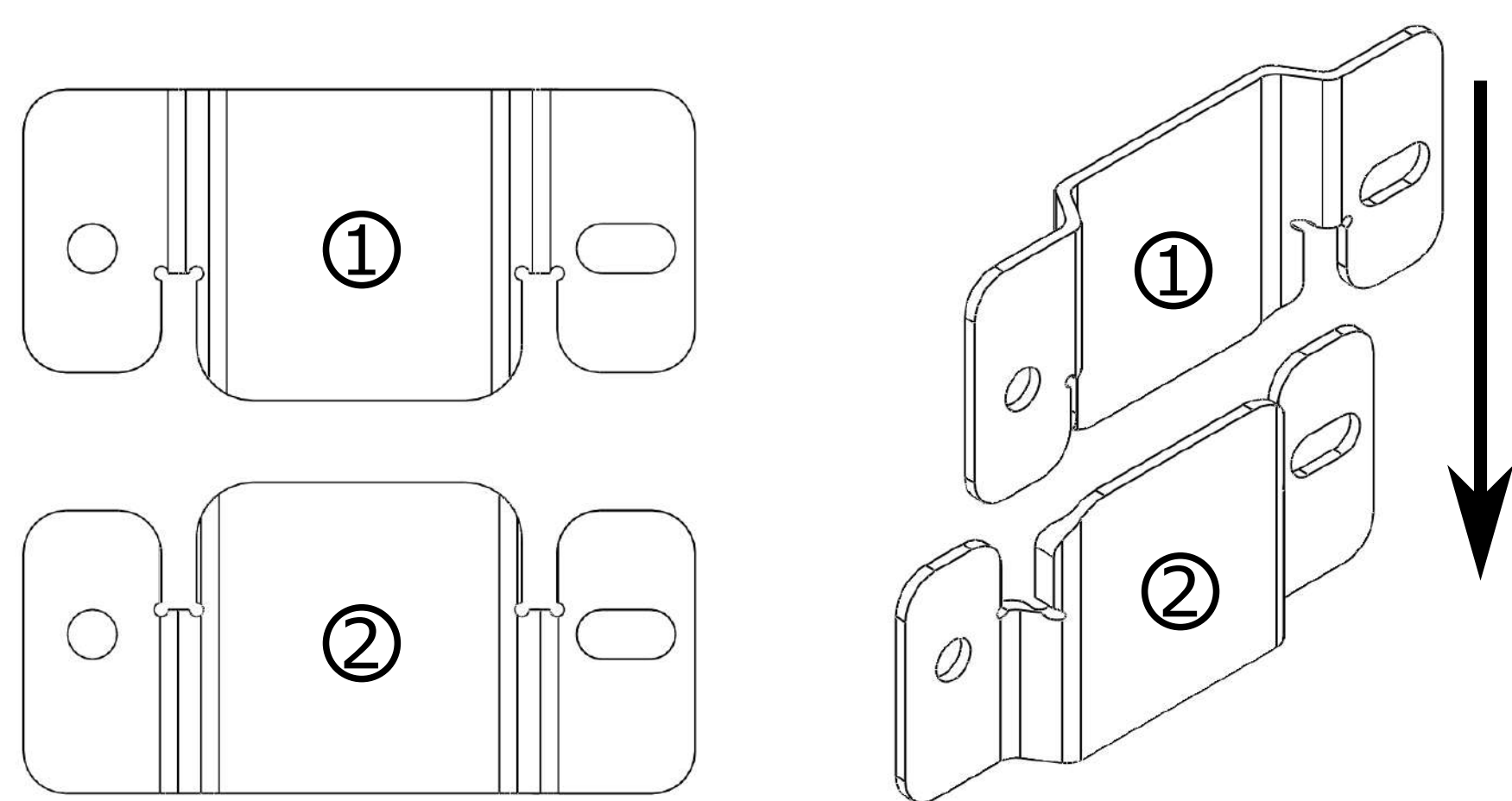


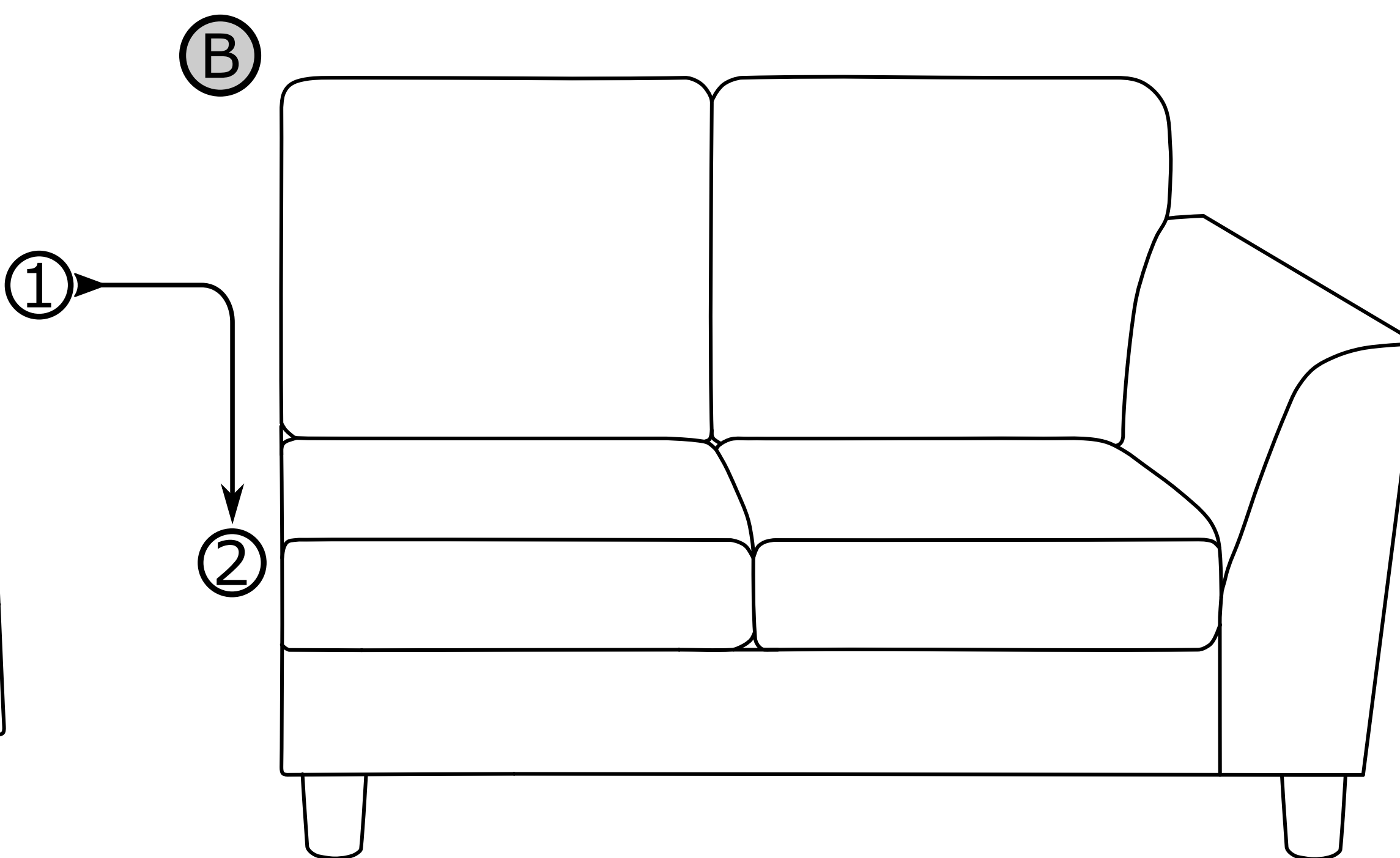
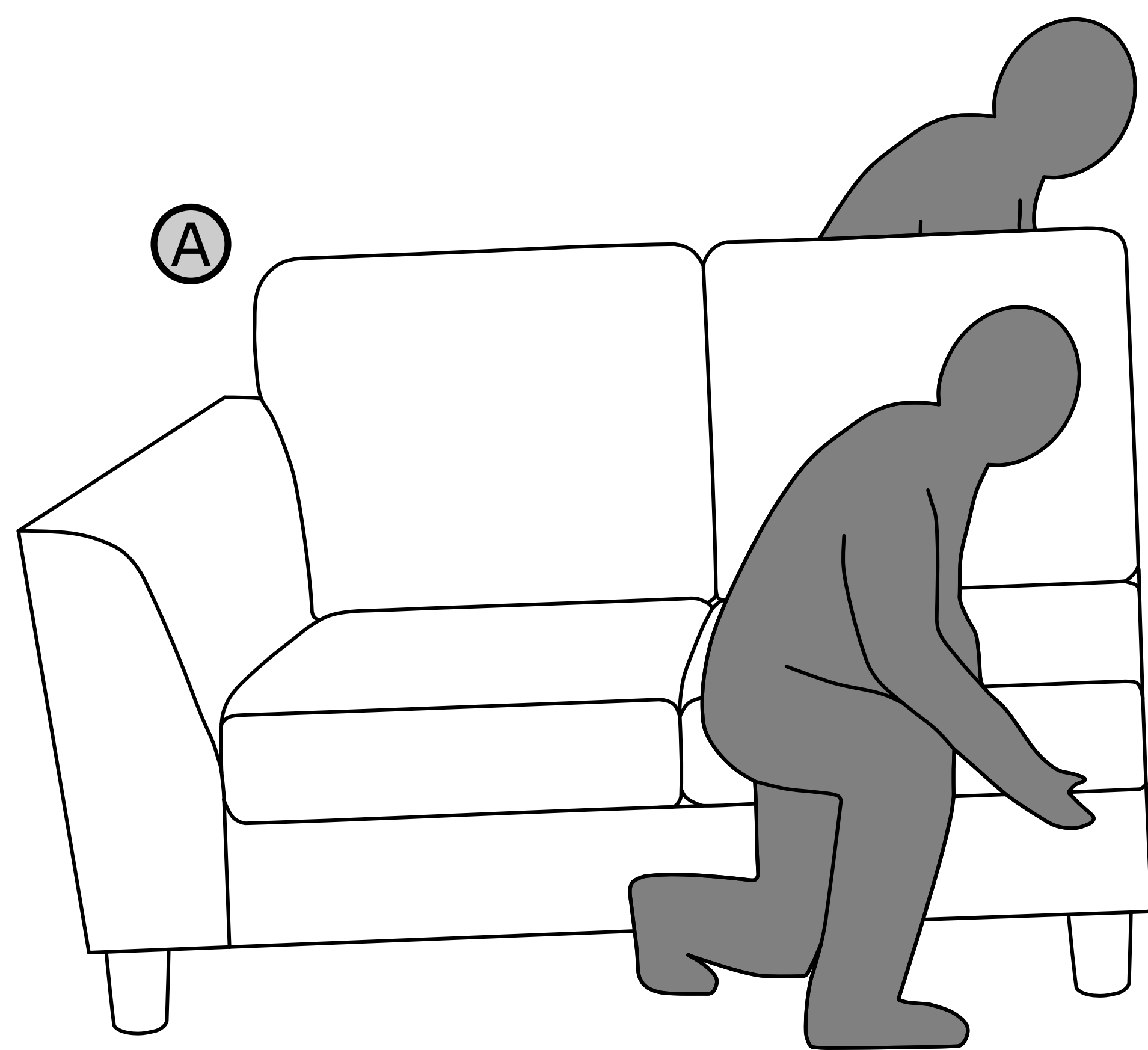
CORNER GROUP ATTACHMENT METHOD

IMPORTANT - PLEASE RETAIN FOR FUTURE REFERENCE



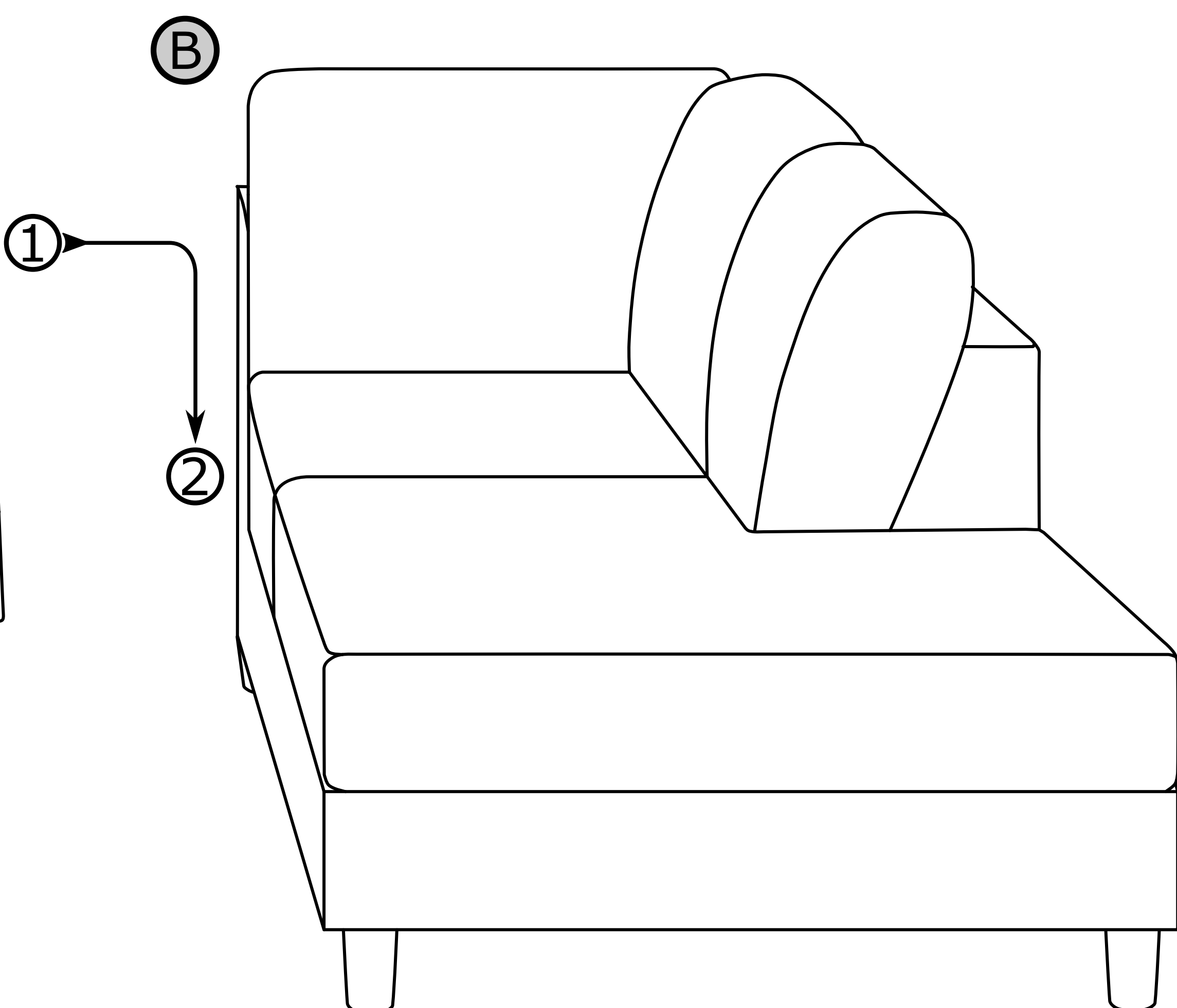
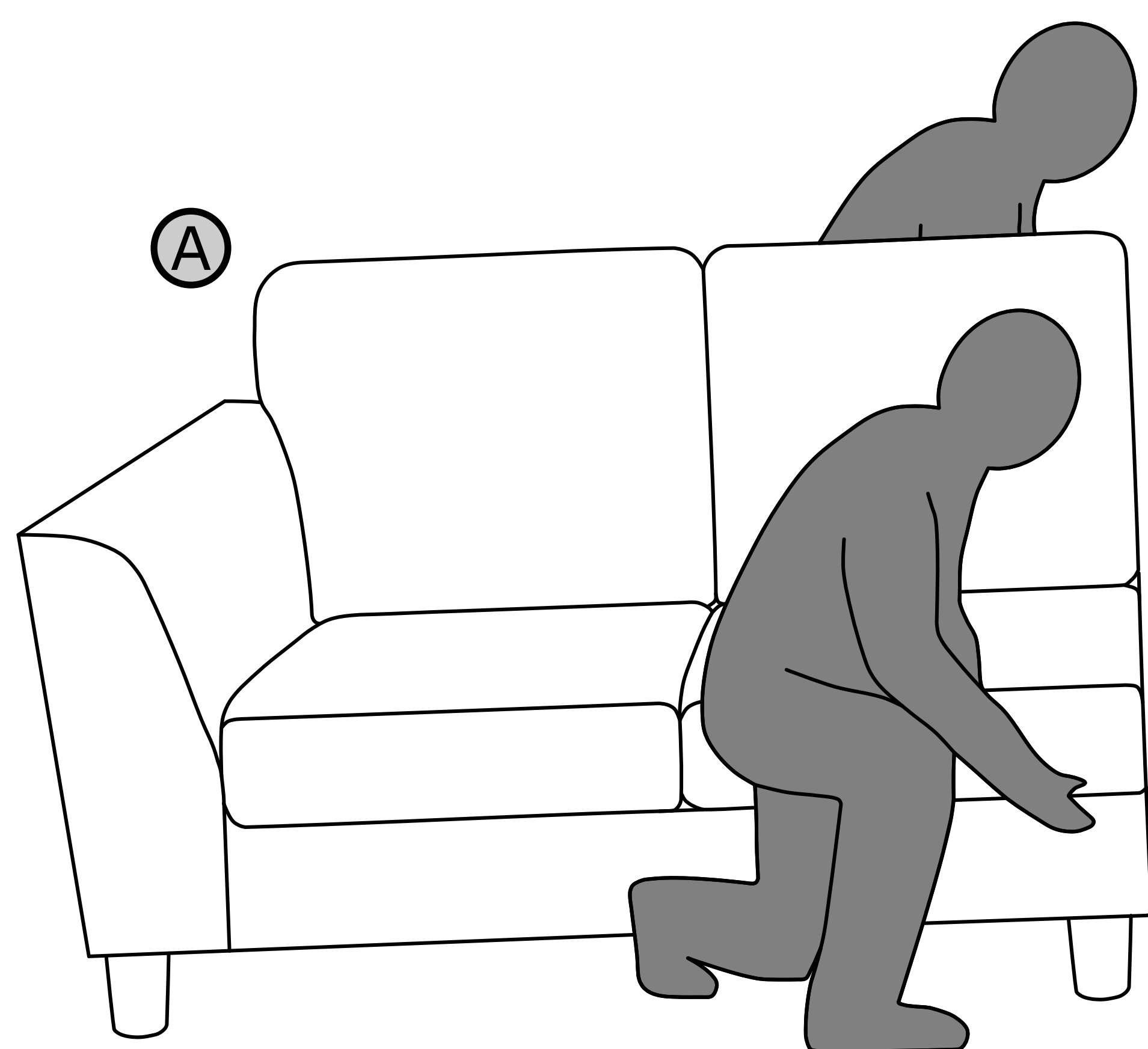
INSTRUCTIONS FOR LINKAGE:

- CONNECTION MADE THROUGH HOOK SYSTEM
- HOOK 1 TO BE INSERTED INTO HOOK 2.



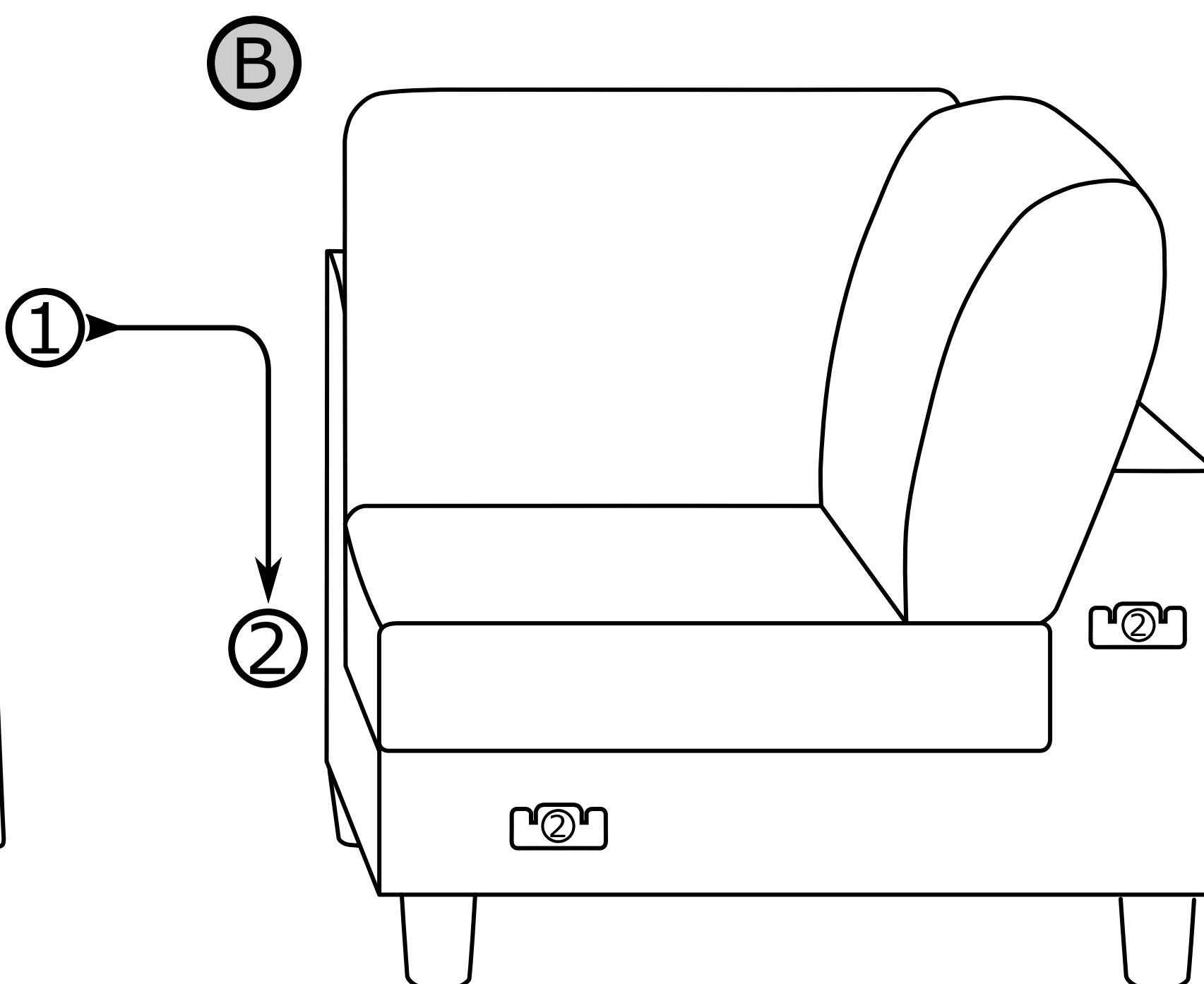
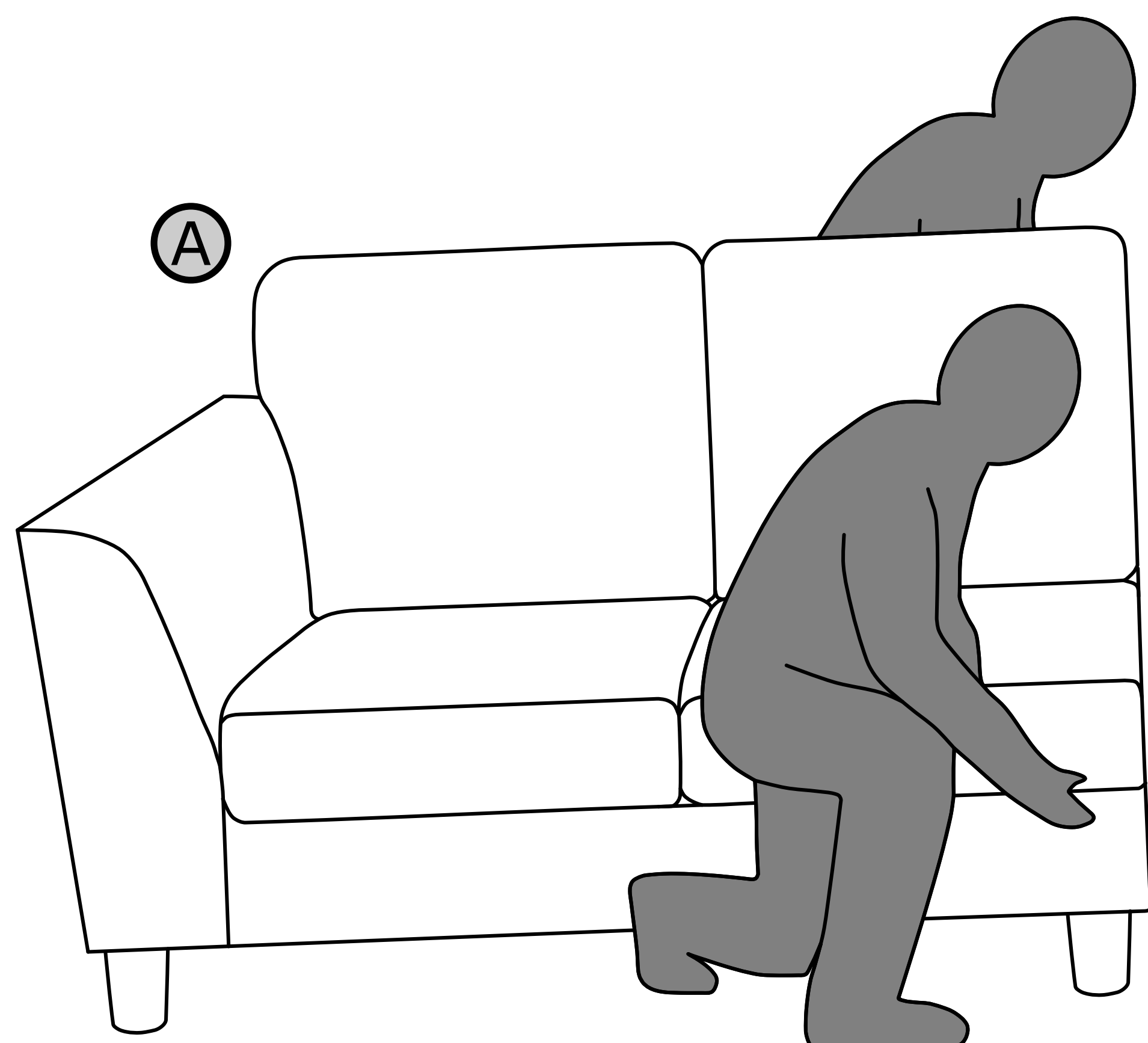
HOW TO ASSEMBLE SOFA:

- PLACE FURNITURE IN SPACE ALLOCATED.
- LINE UP PIECES, CHECKING THAT HOOKS ARE IN ALIGNMENT.
- LIFT PART A AND INSERT HOOK 1 INTO HOOK 2 TO CONNECT TO PART B.



HOW TO ASSEMBLE SOFA:

- PLACE FURNITURE IN SPACE ALLOCATED.
- LINE UP PIECES, CHECKING THAT HOOKS ARE IN ALIGNMENT.
- LIFT PART A AND INSERT HOOK 1 INTO HOOK 2 TO CONNECT TO PART B.



HOW TO ASSEMBLE SOFA:

- PLACE FURNITURE IN SPACE ALLOCATED.
- LINE UP PIECES, CHECKING THAT HOOKS ARE IN ALIGNMENT.
- LIFT PART A AND INSERT HOOK 1 INTO HOOK 2 TO CONNECT TO PART B.

WARNING:

- TWO PEOPLE NEEDED TO ASSEMBLE SOFA
- DO NOT LIFT SOFA ONCE ASSEMBLED
- IF MULTIPLE UNITS, LIFT SINGLE PIECES ONTO PIECES ALREADY ASSEMBLED.