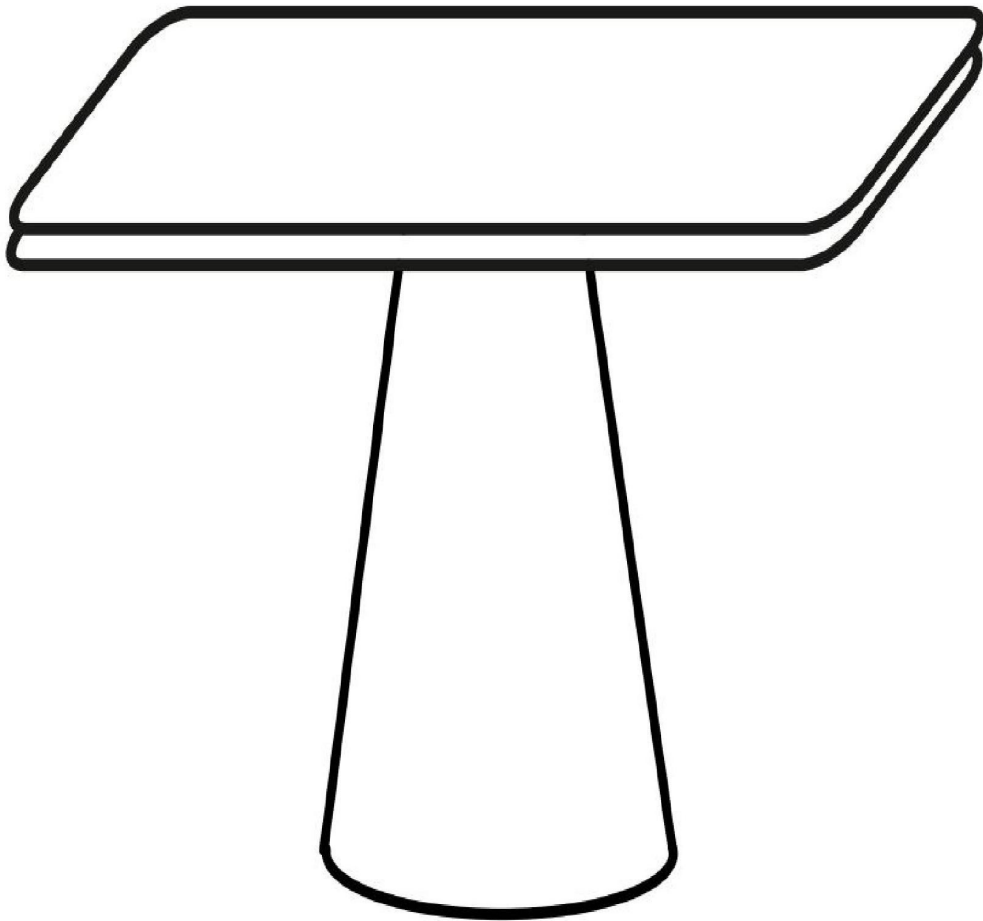


JONATHAN Y

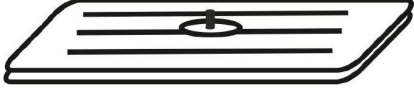
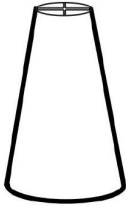
MODEL # END5000

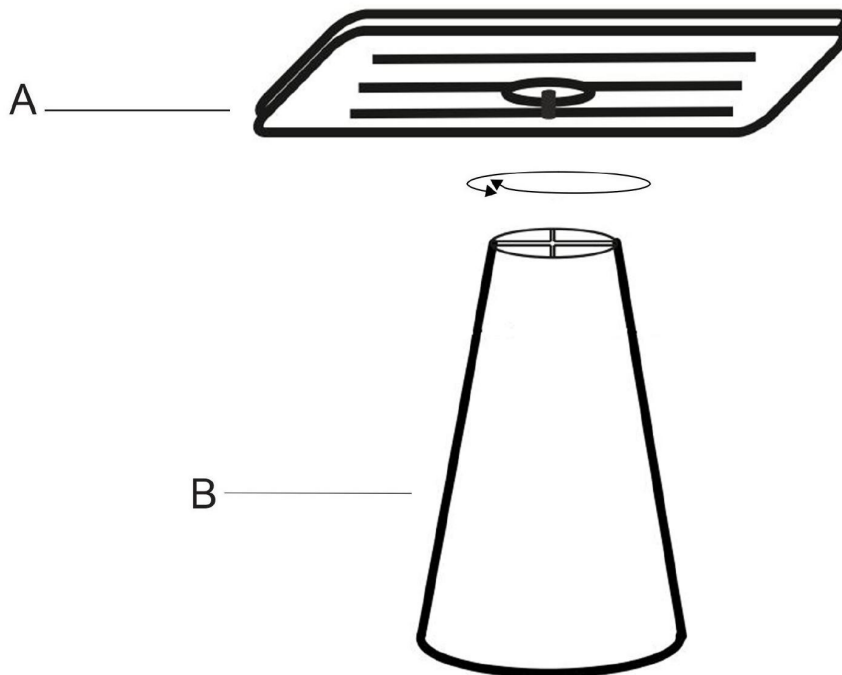
Product Dimension: 15.75"D x 15.75"W x 18"H



If there are any questions relating to defects, missing parts, assembly issues or replacements, please send a detailed email to cs@jonathany.com.

Part List And Hardware List

PIECE	DESCRIPTION	PICTURE	
A	TOP		1x
B	BASE		1x



WARNING - DO NOT OVER TIGHTEN.
AS OVERTIGHTENING CAN CAUSE THREADS TO SLIP