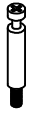
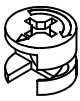

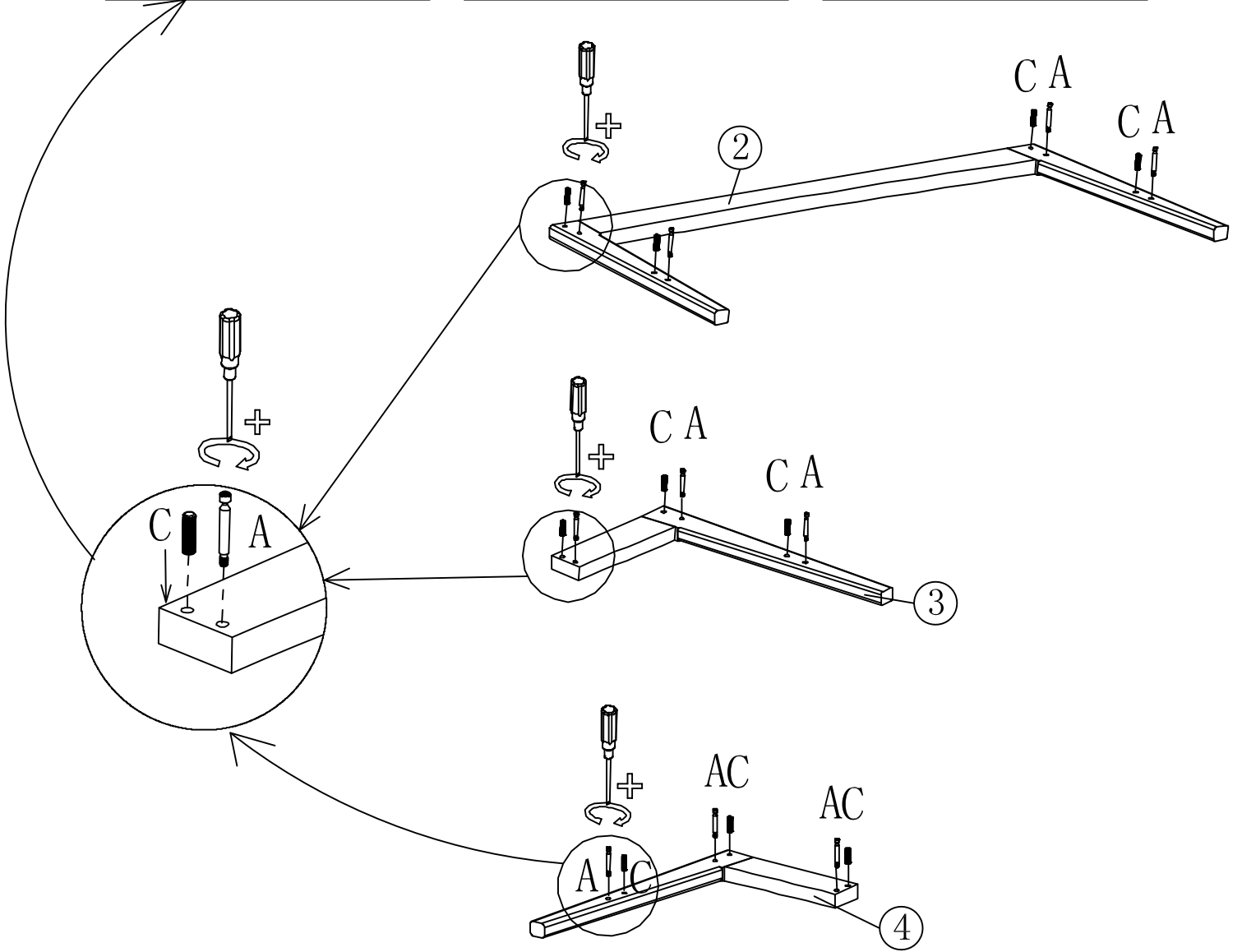
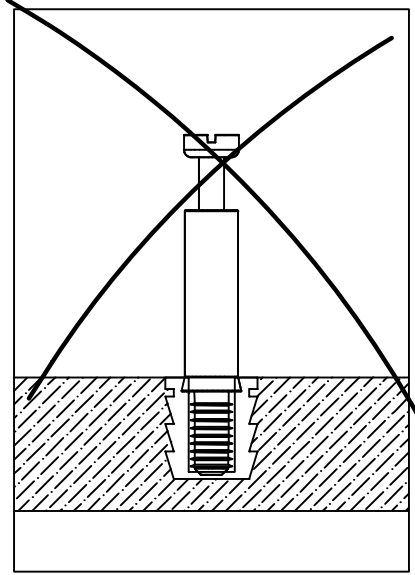
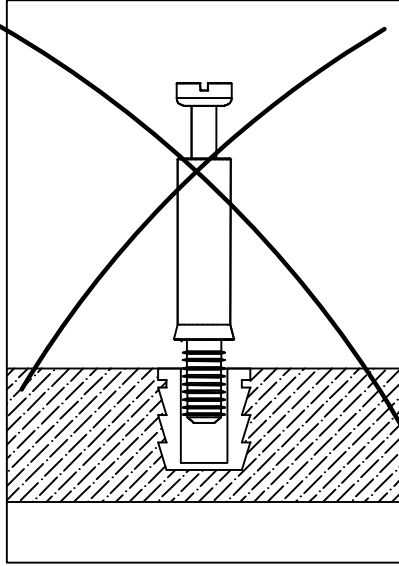
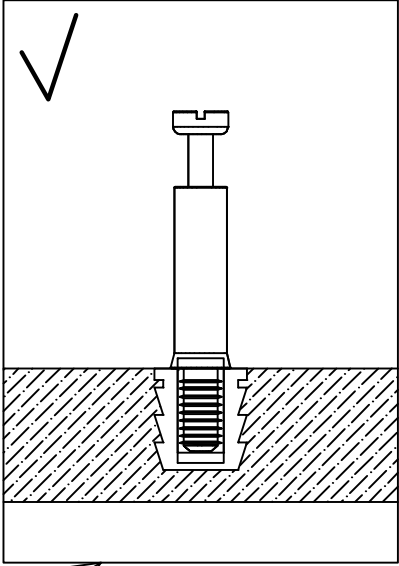
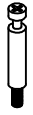
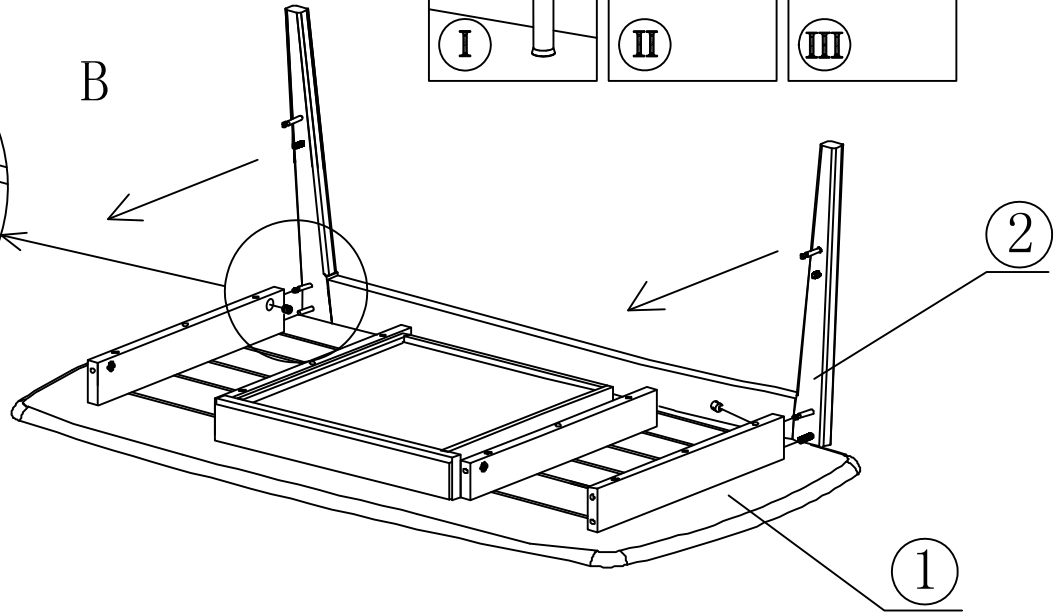
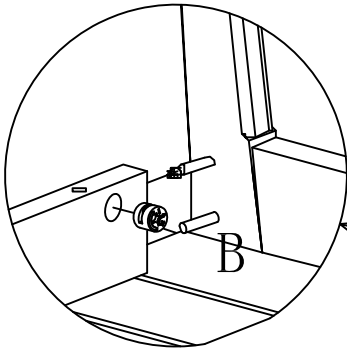
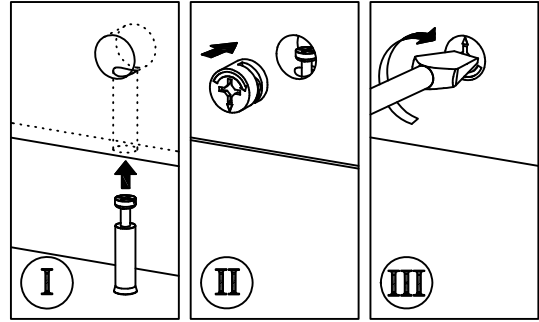


<p>Ax10</p>  <p>Φ6*44</p>	<p>Bx10</p>  <p>Φ15</p>	<p>Cx10</p>  <p>Φ7.8*30</p>
--------------------------------------------------------------------------------------------------------------	------------------------------------------------------------------------------------------------------------	-----------------------------------------------------------------------------------------------------------------

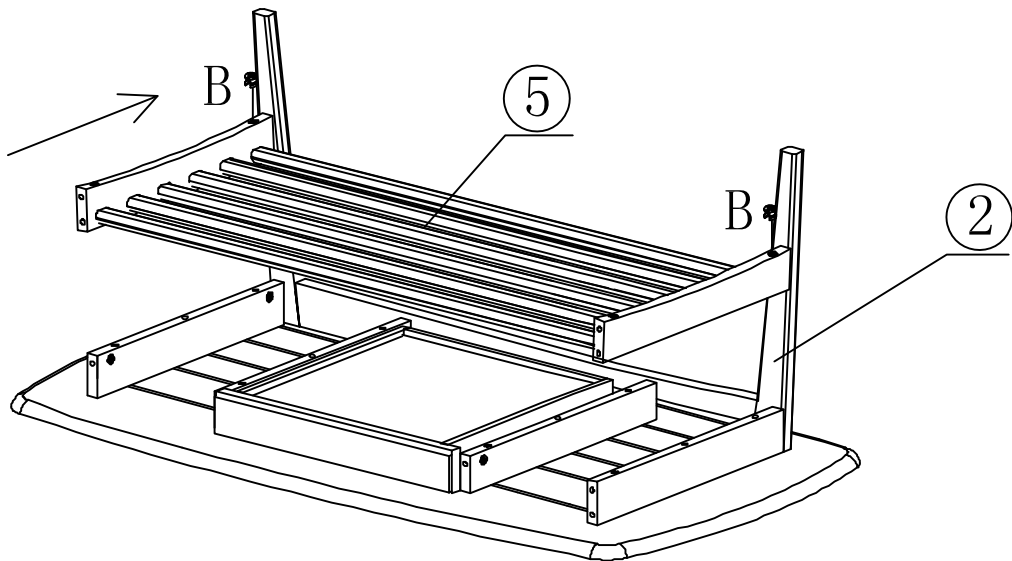
1 A x10 C x10



2 B x2



3 B x2



4

B x6

