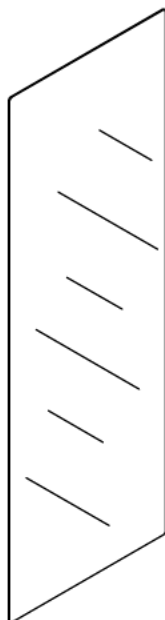


Ax1



Bx1



Cx1



Dx3



Ex4



Fx4



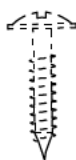
Gx8



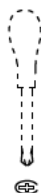
Hx4



Ix4



Jx4



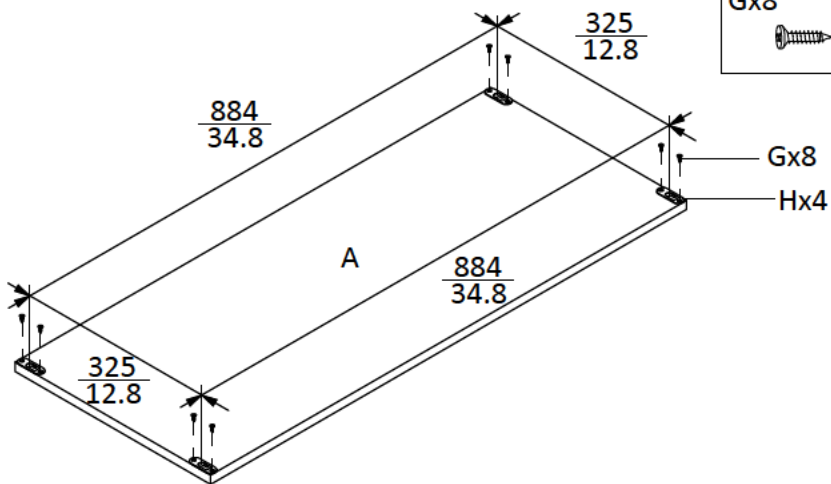
Kx2



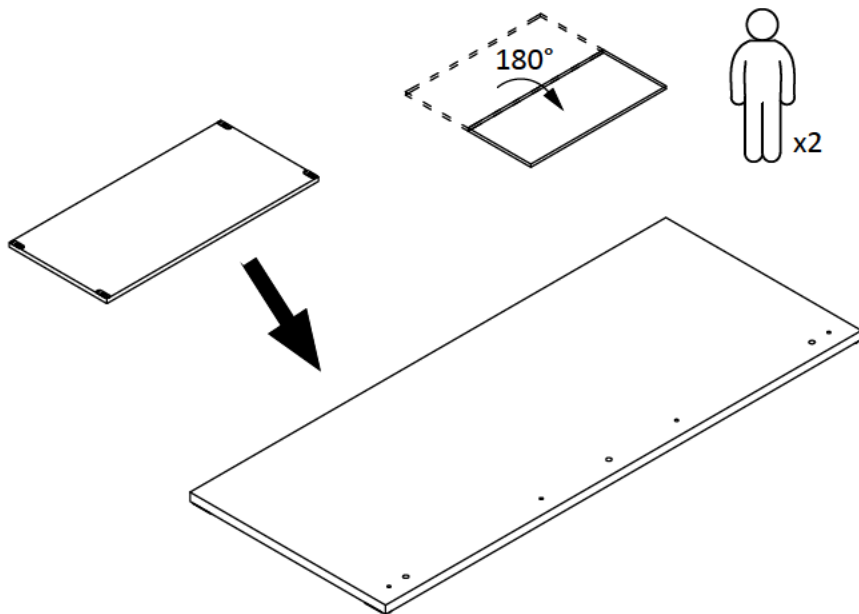
mm
inch

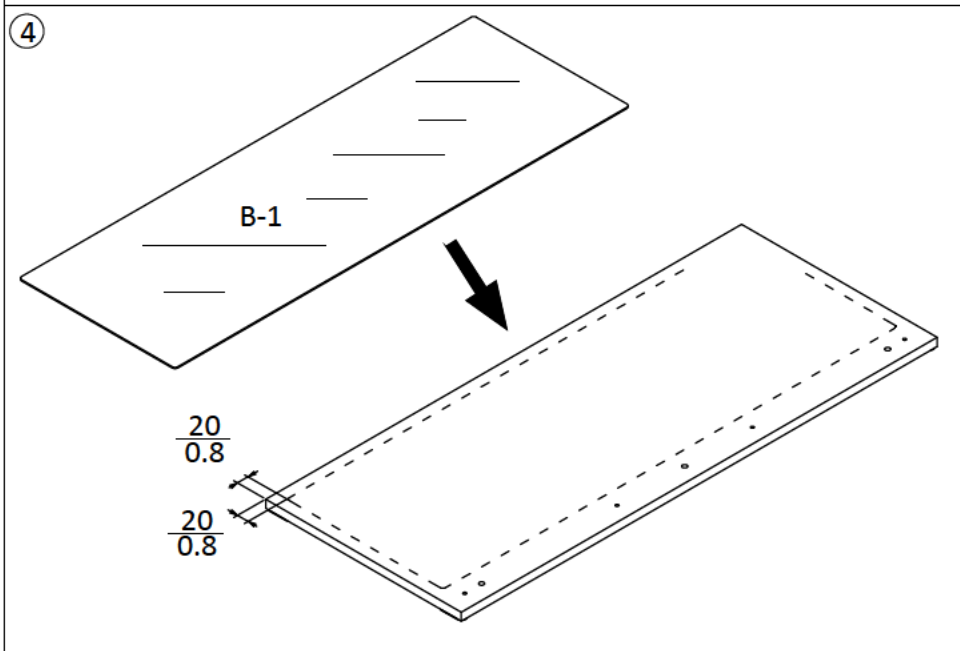
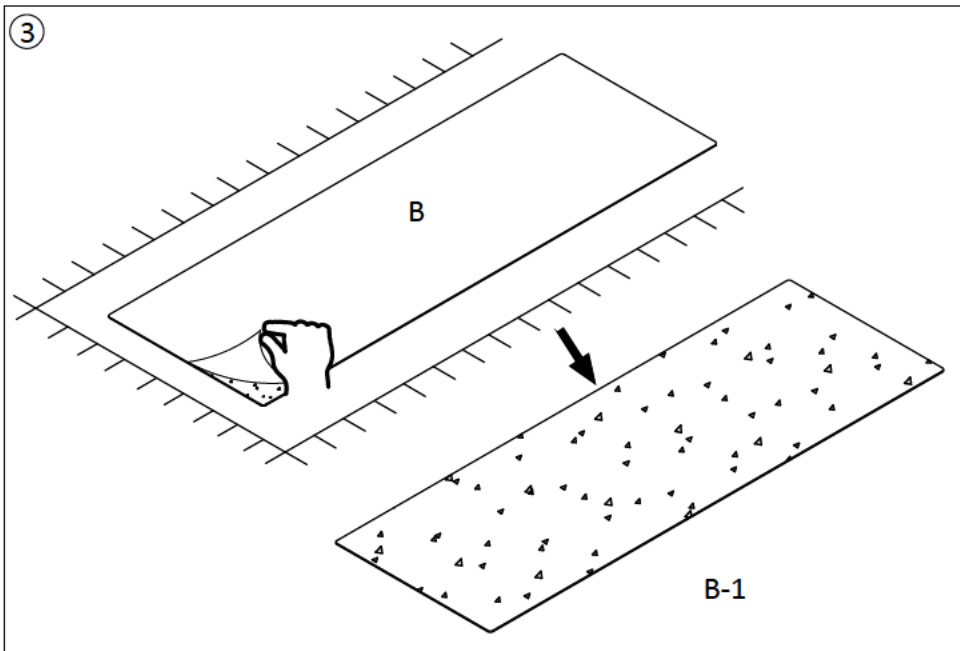
x2

①



②



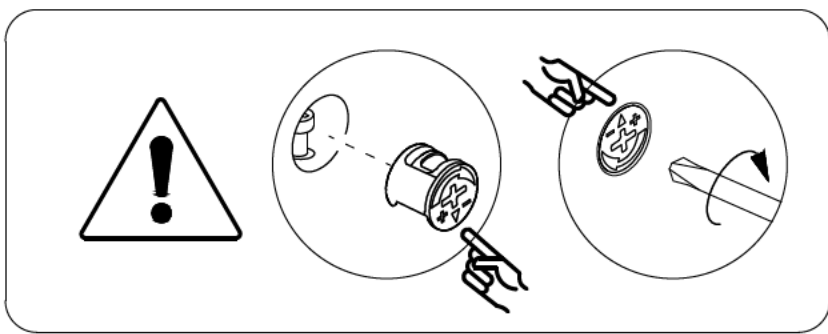
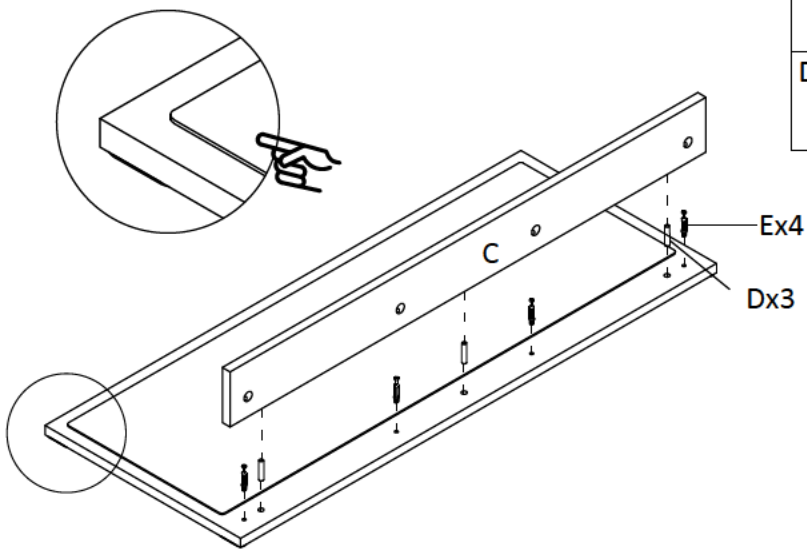


5

Ex4

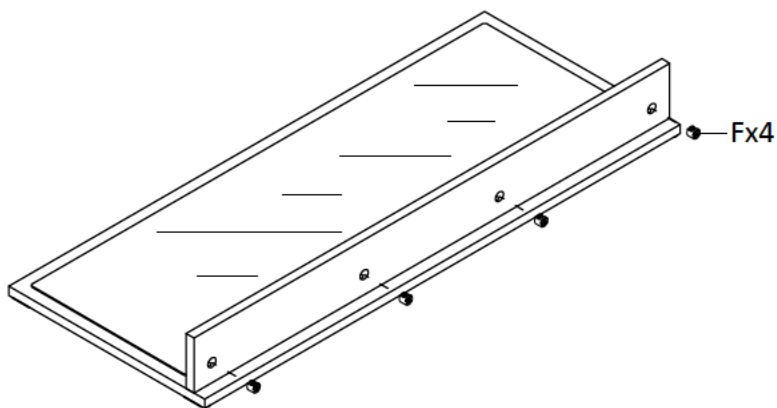


Dx3

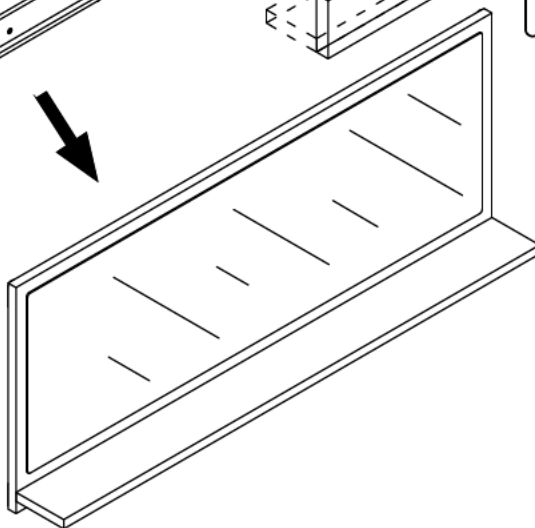
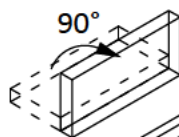
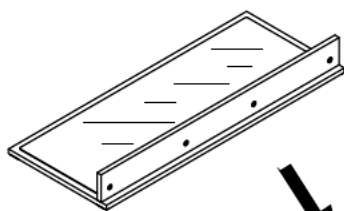


6

Fx4



7

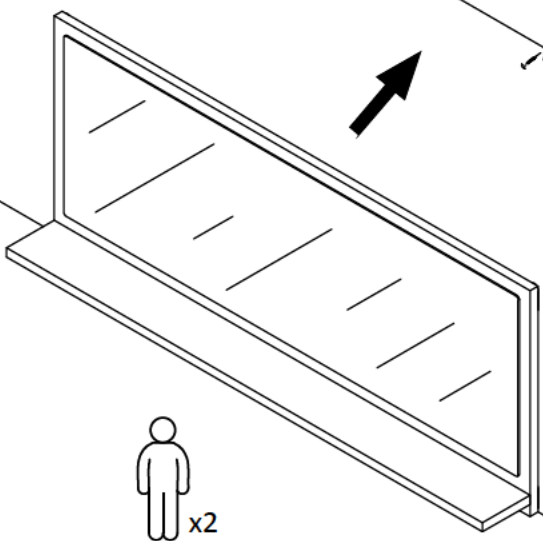
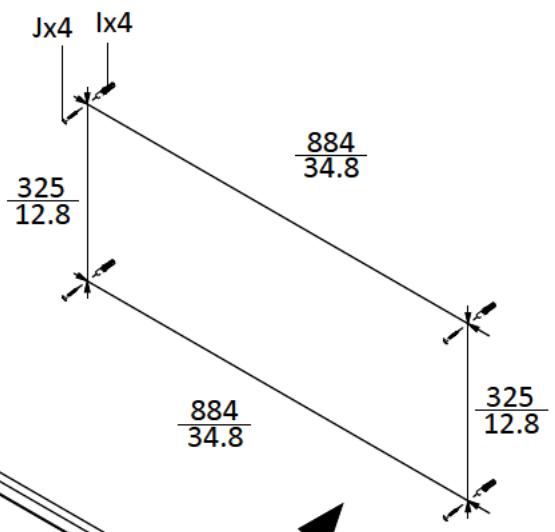


8

Ix4



Jx4



9

