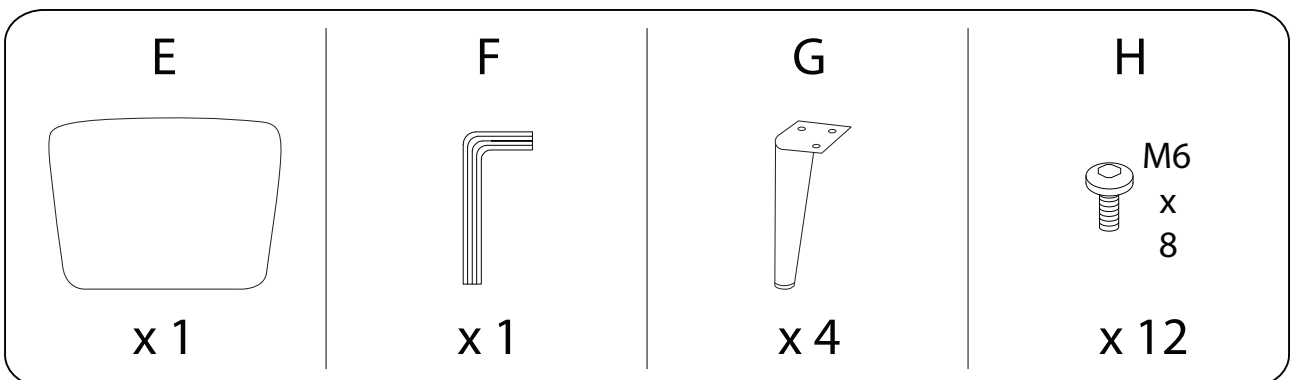
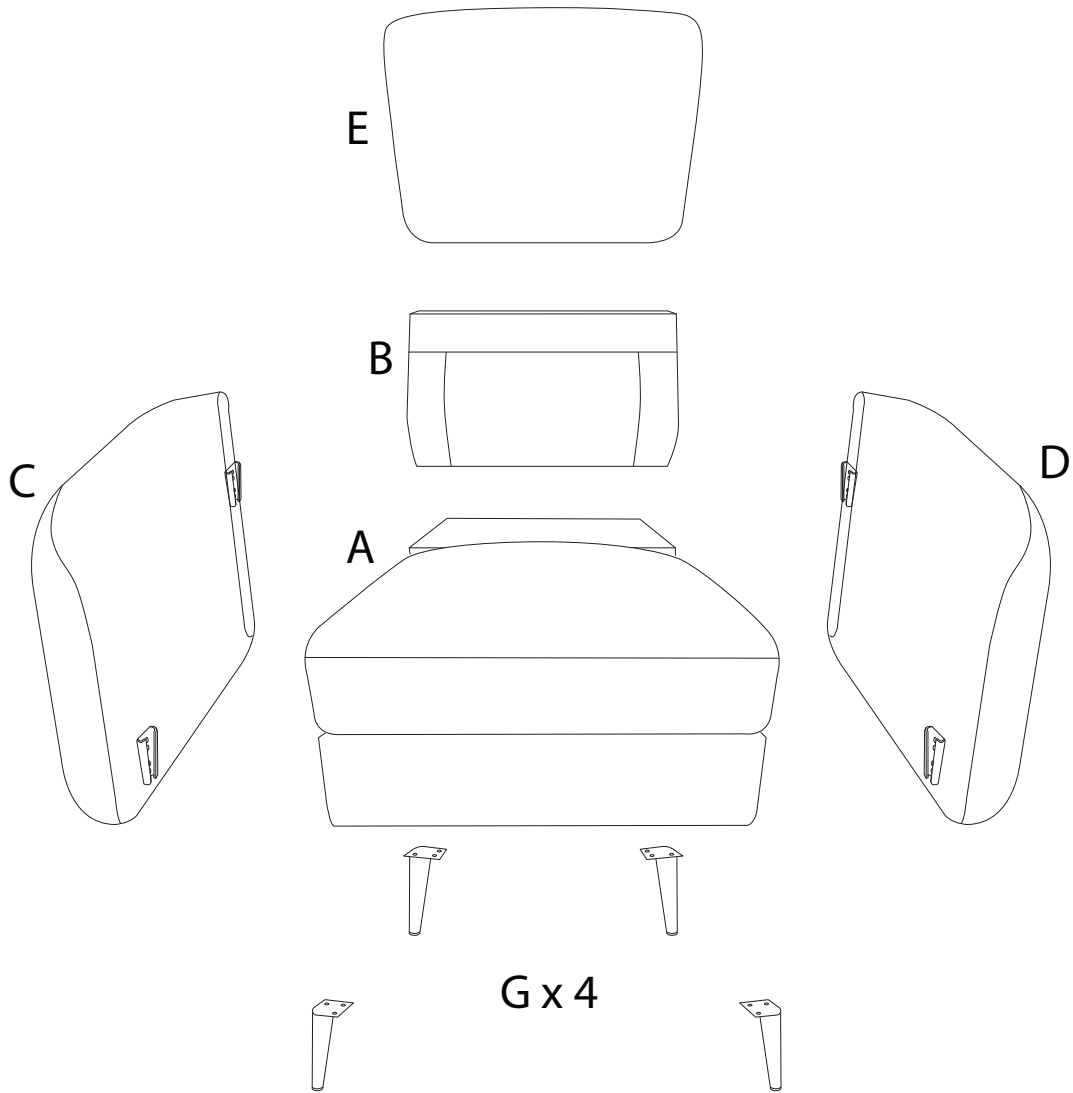
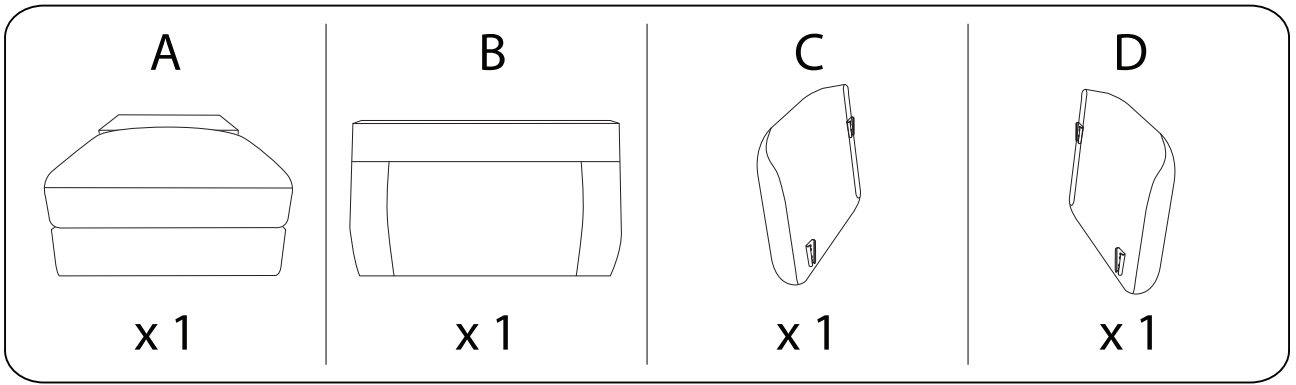
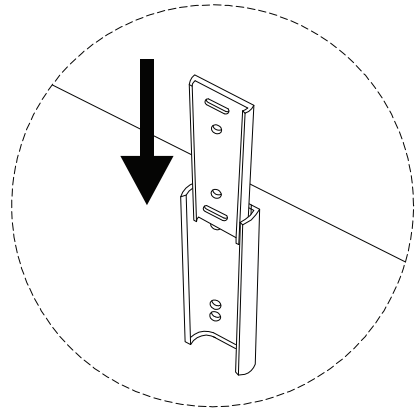
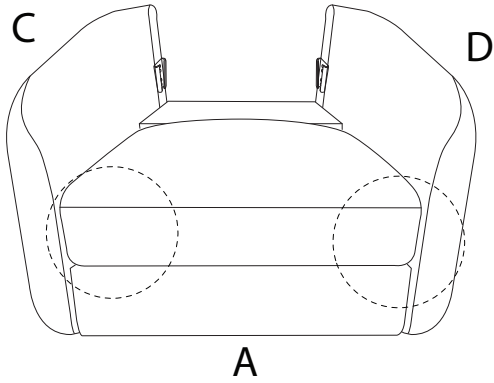
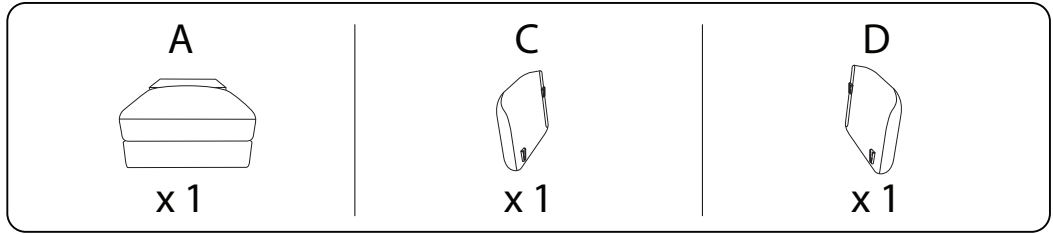


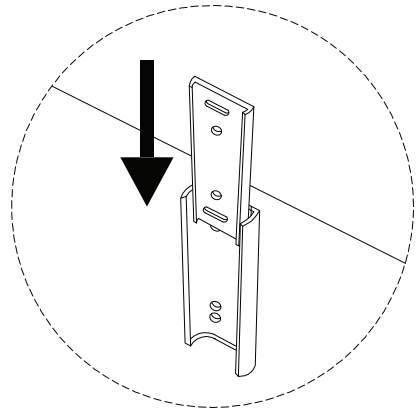
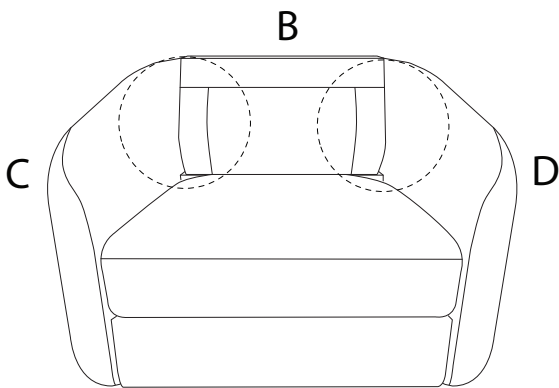
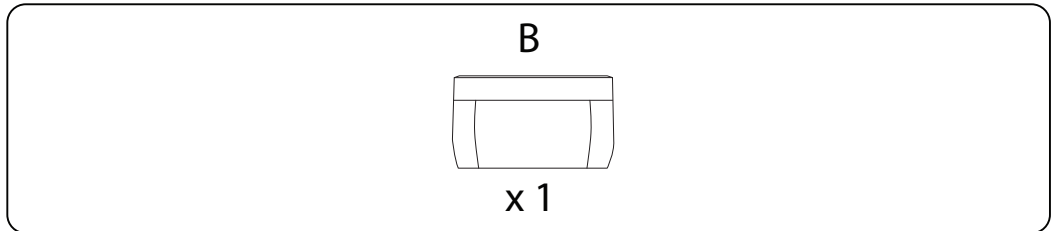
A



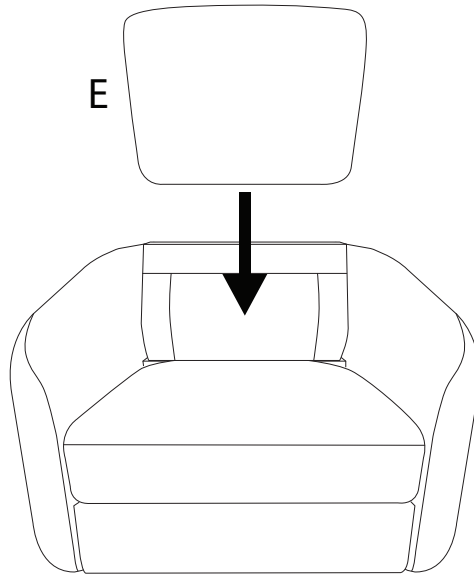
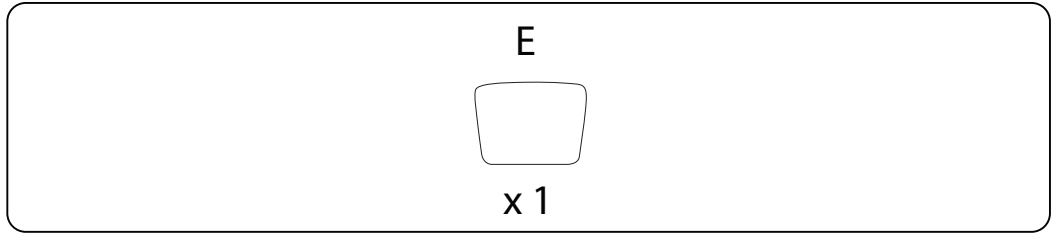
1



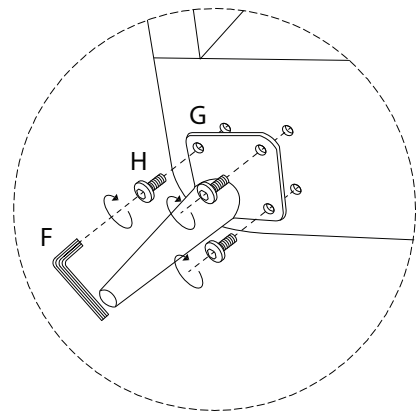
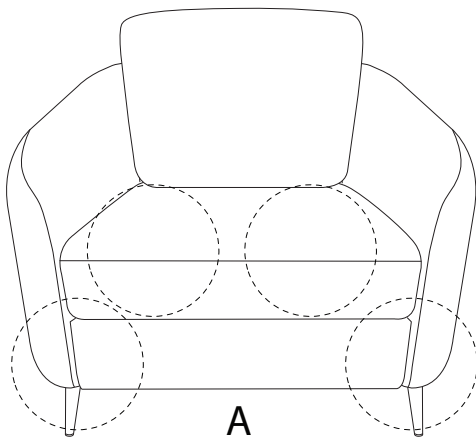
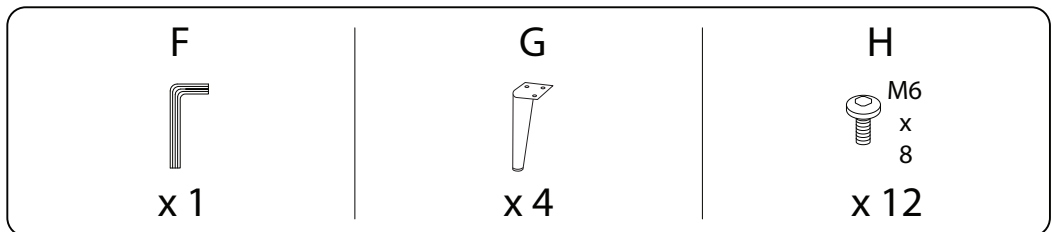
2



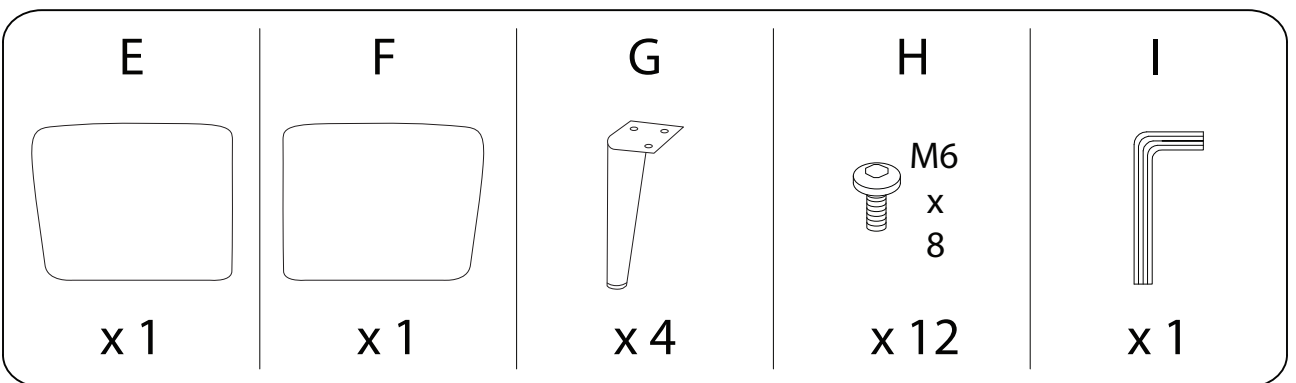
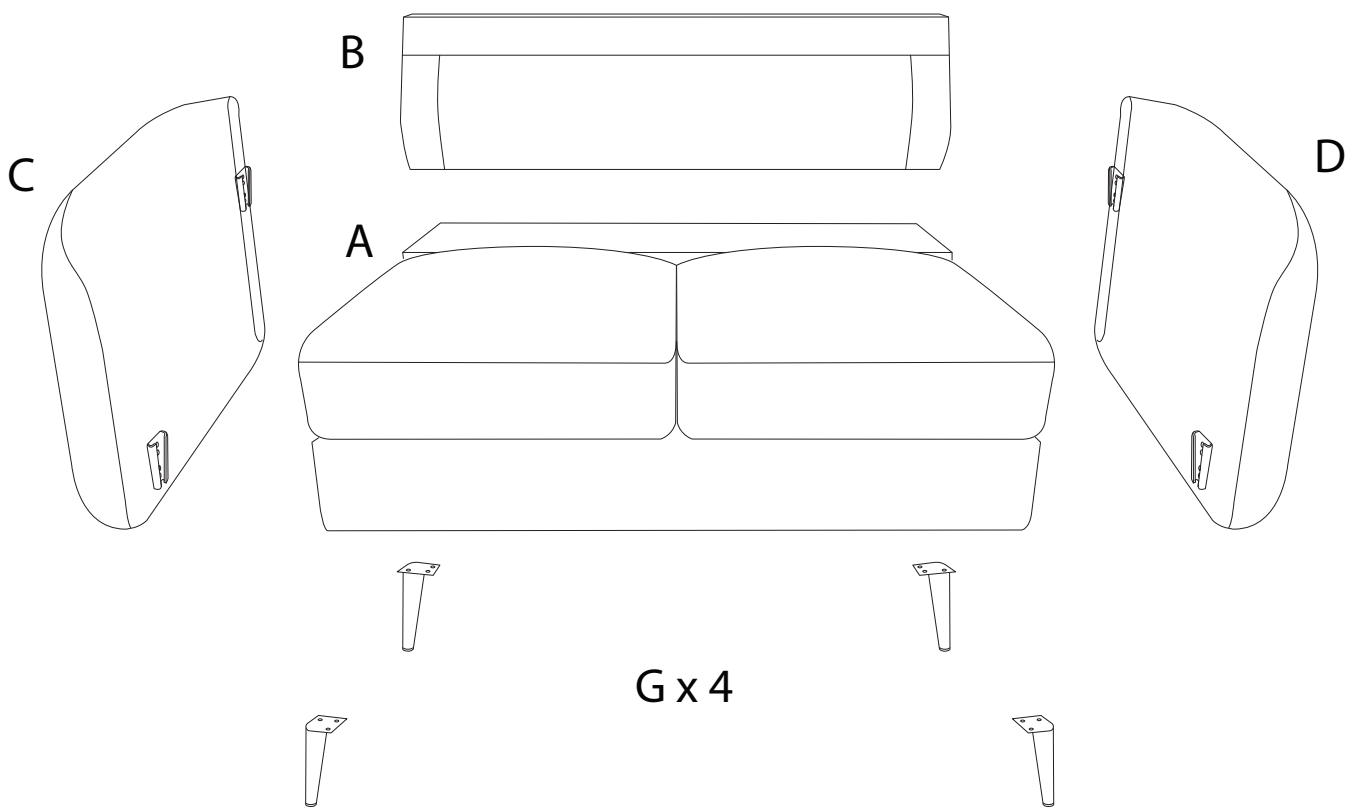
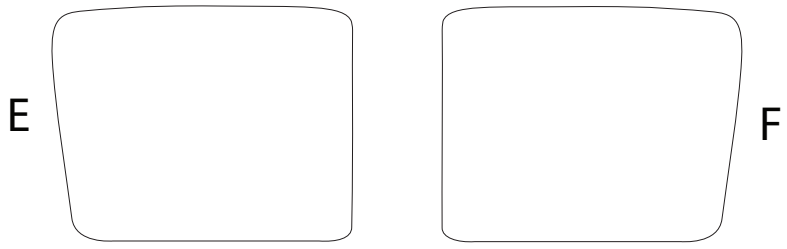
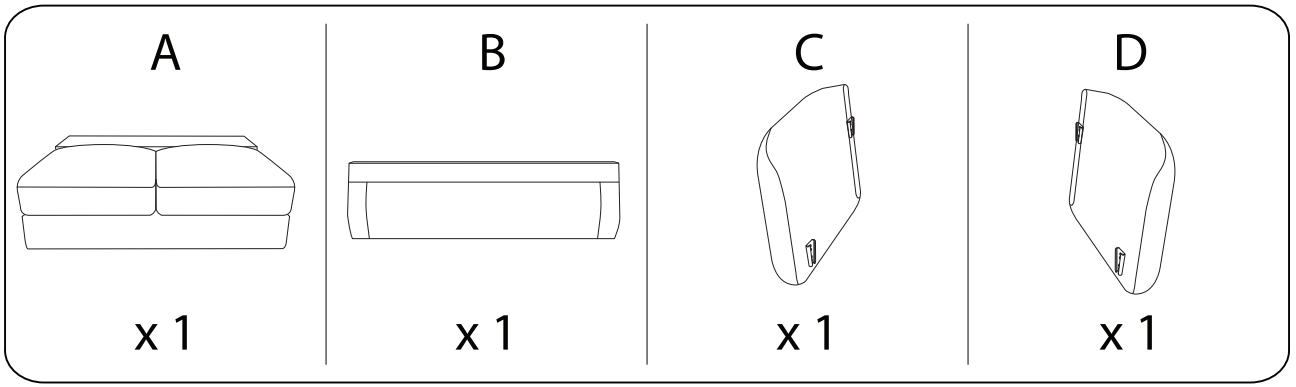
3



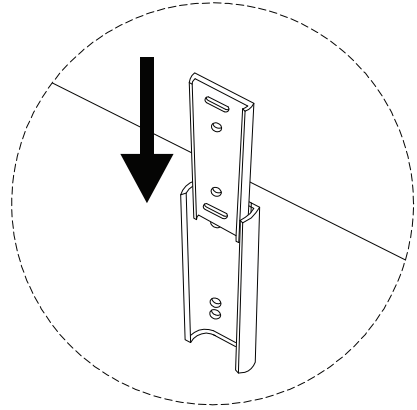
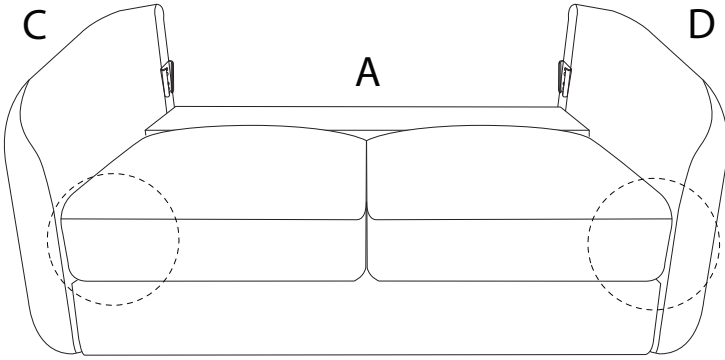
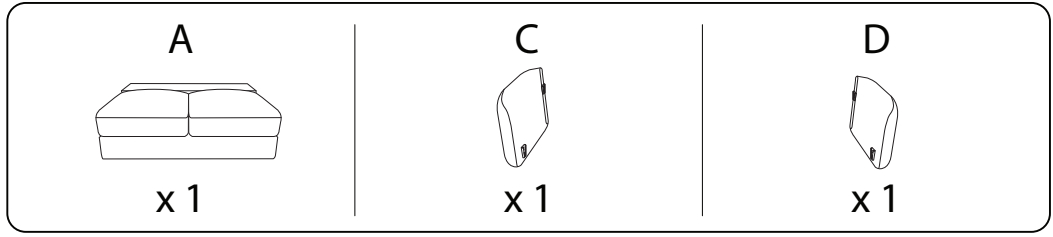
4



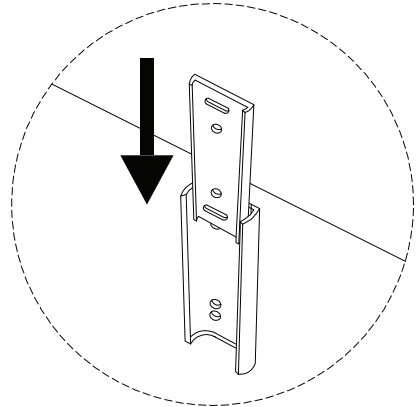
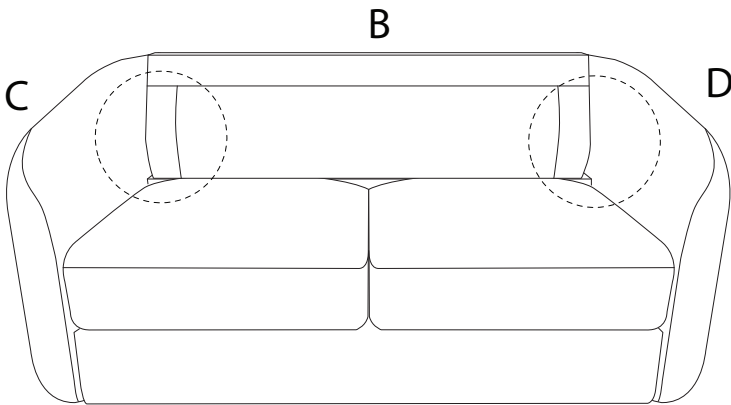
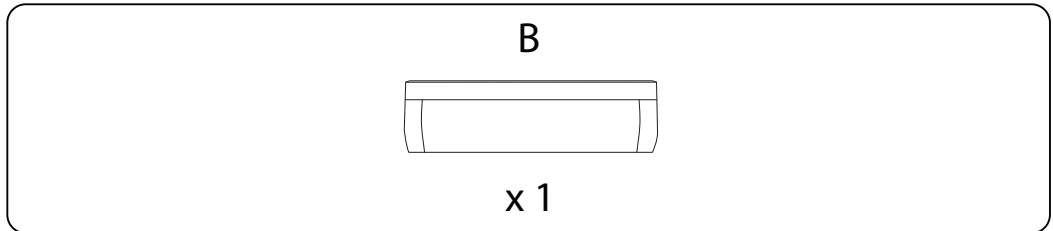
B



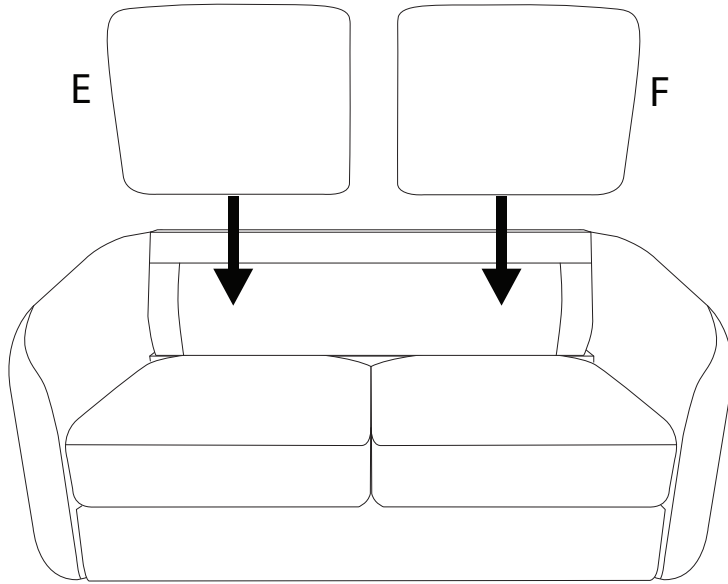
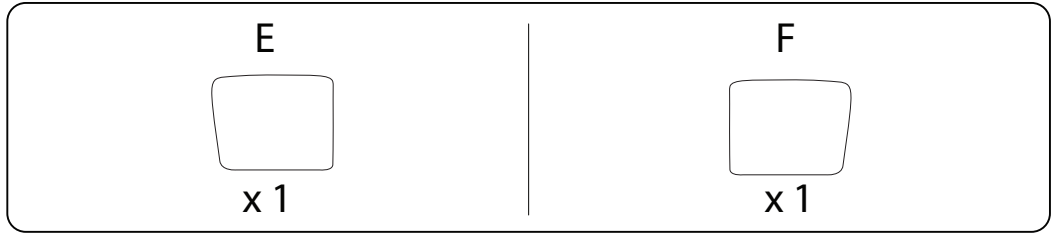
1



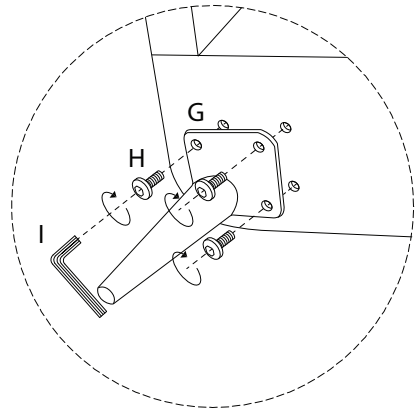
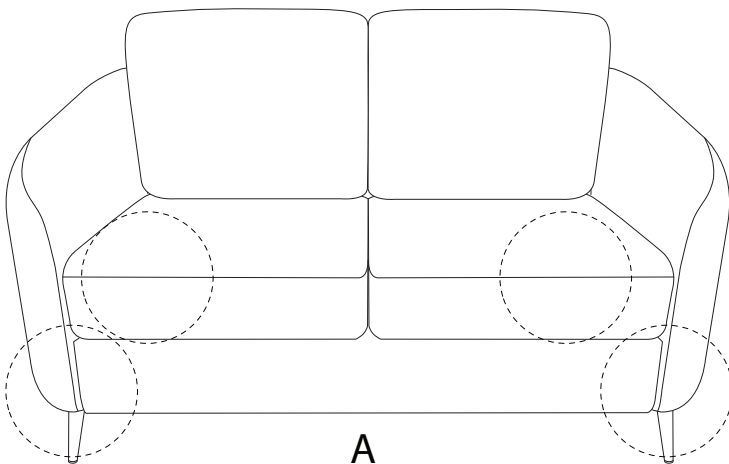
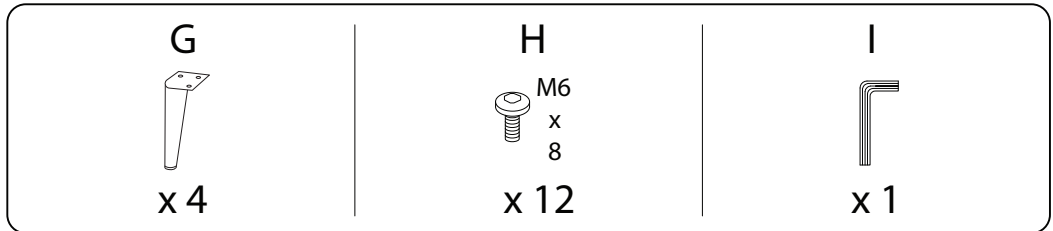
2



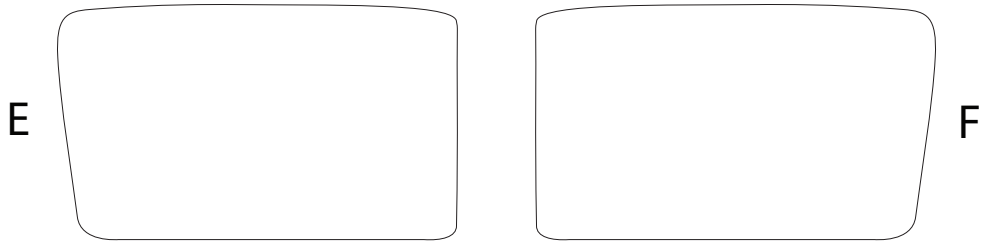
3



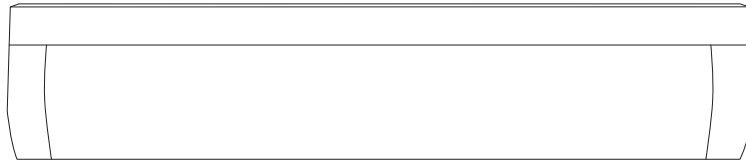
4



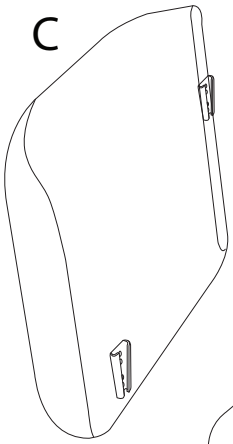
C



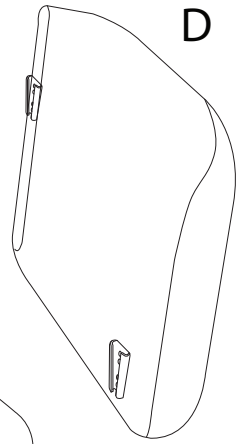
B



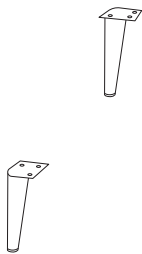
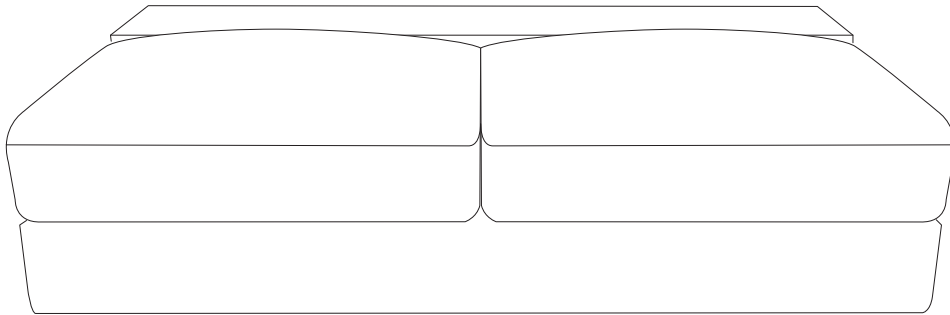
C



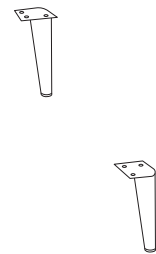
D



A



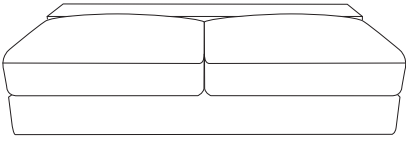
G x 4



H

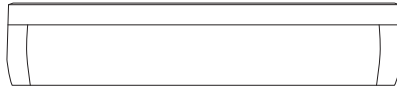


A



x 1

B



x 1

C



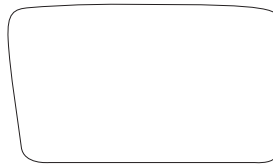
x 1

D



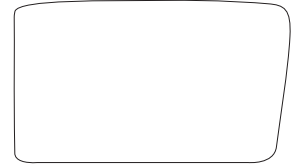
x 1

E



x 1

F



x 1

G



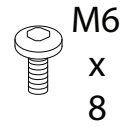
x 4

H



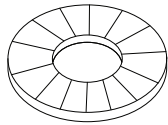
x 1

I



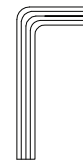
x 12

J



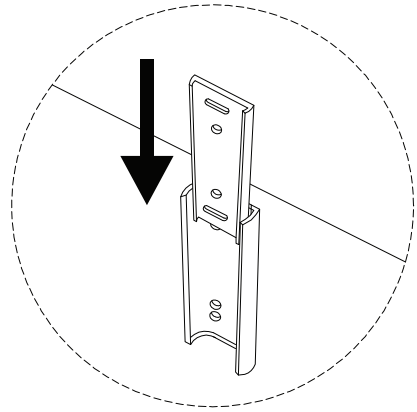
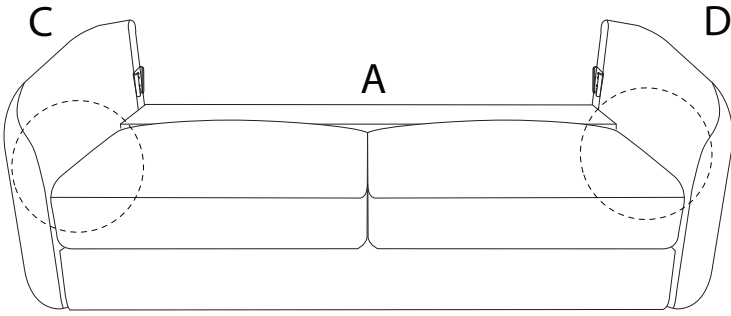
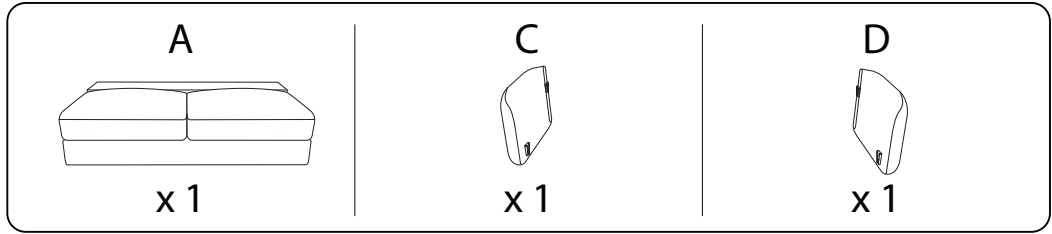
x 1

K

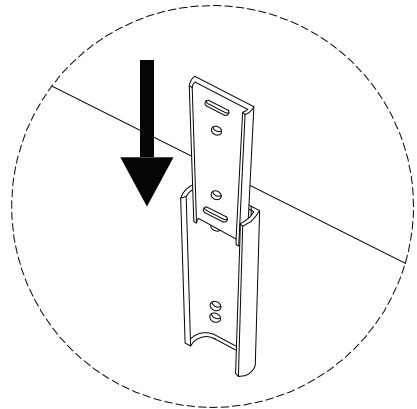
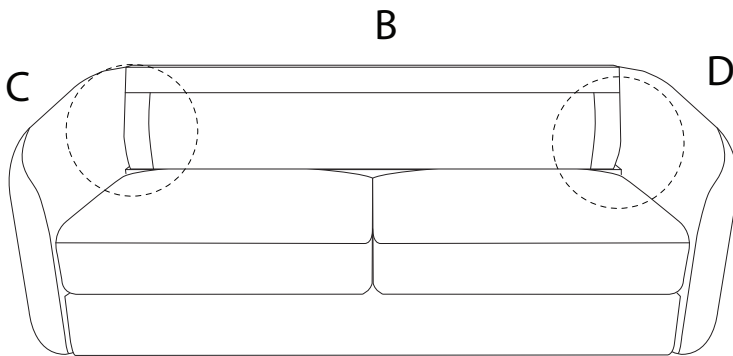
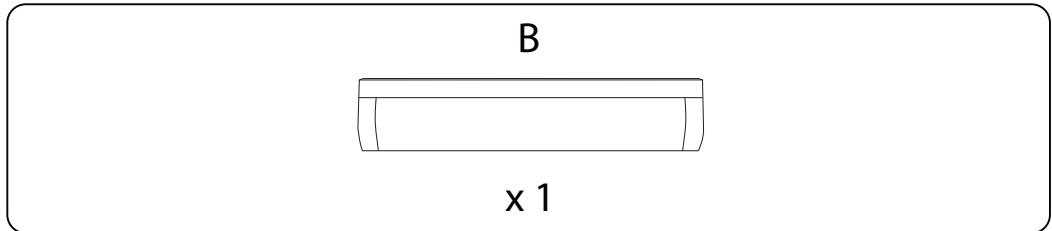


x 1

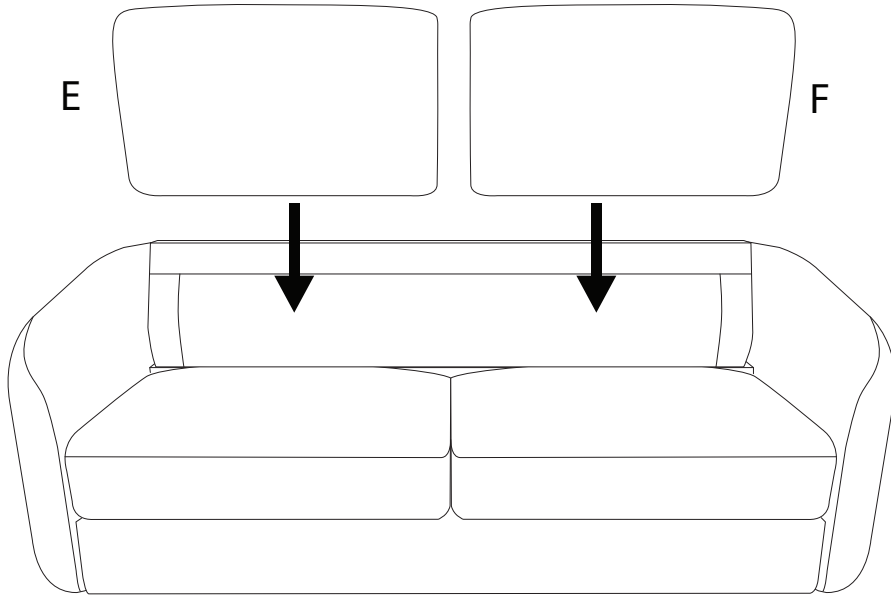
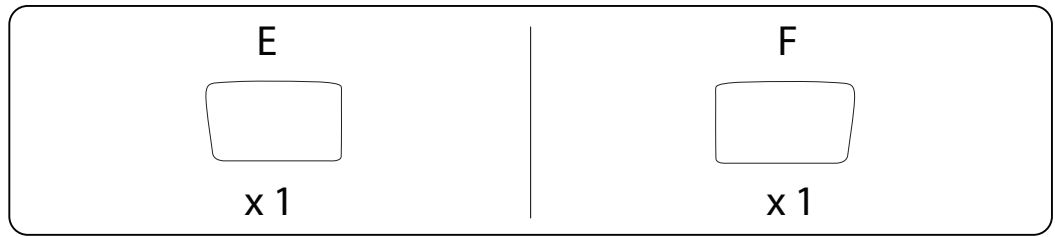
1



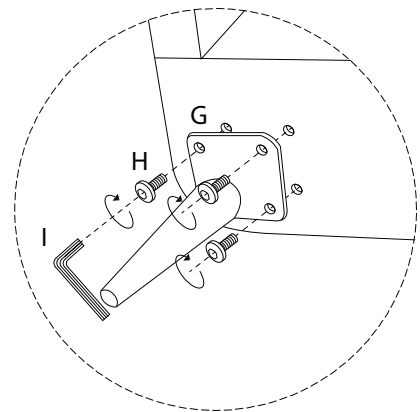
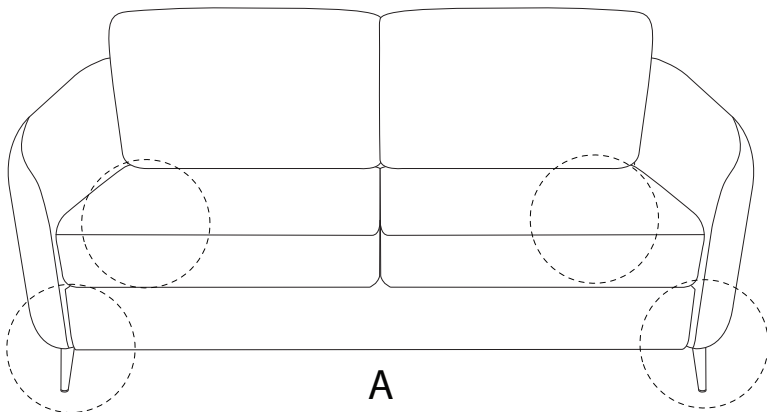
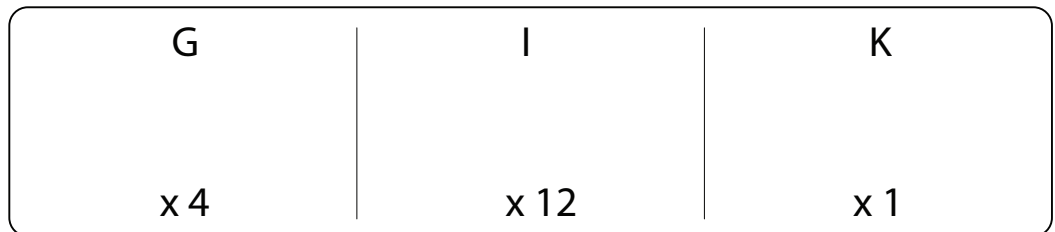
2



3



4



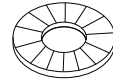
5

H



x 1

J



x 1

