


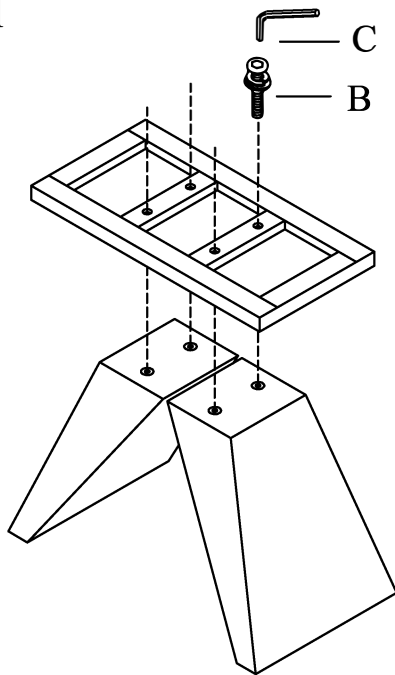


ASSEMBLY INSTRUCTIONS

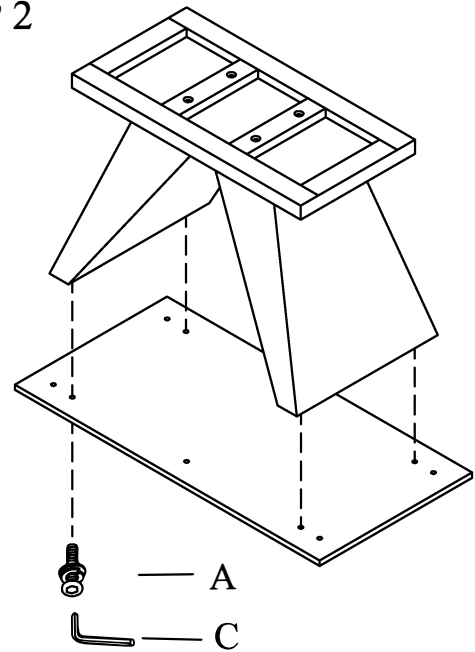
NOTE: DON'T TIGHTEN SCREWS UNTIL COMPLETELY ASSEMBLED !

Hardware List			
A		Ø5/16"*1-3/8"L	10
B		Ø5/16"*2-1/2"L	4
C		5mm	1

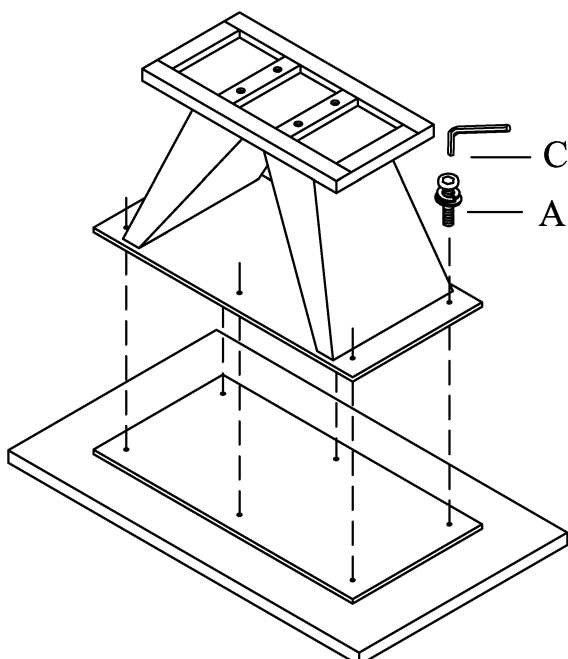
STEP 1



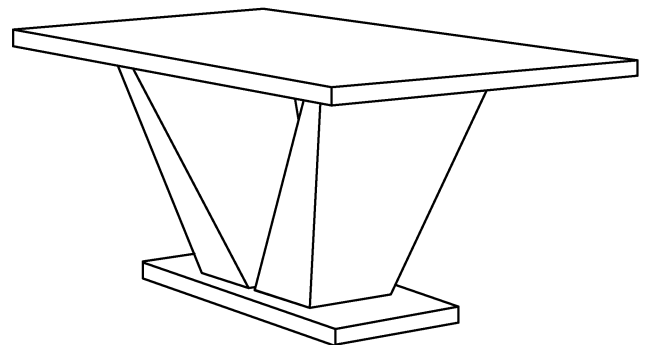
STEP 2



STEP 3



STEP 4



Assembly completed