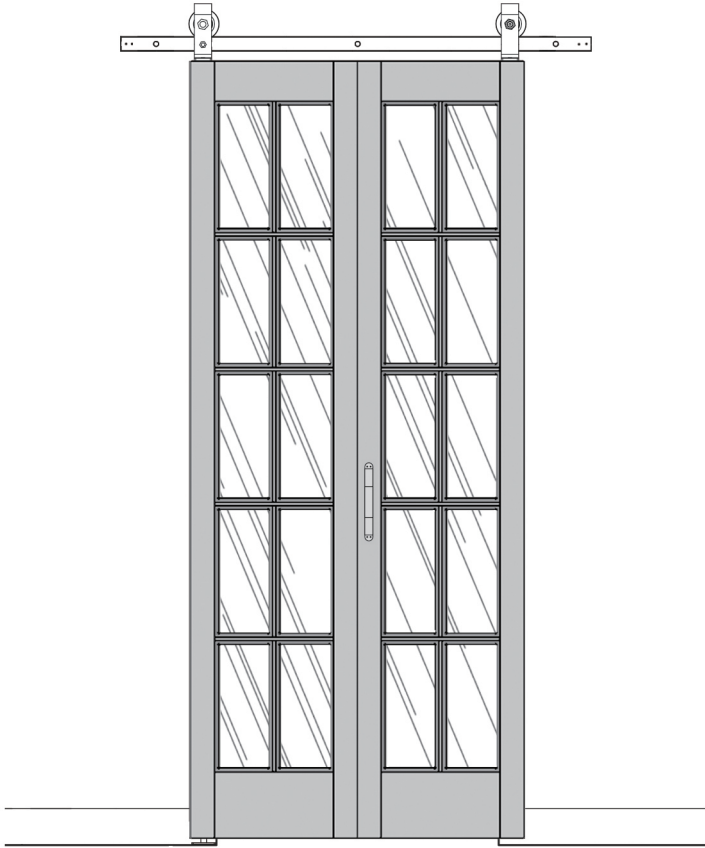


# Installation Manual

Any question please contact us  
[yoursupport@163.com](mailto:yoursupport@163.com)



**NOTICE** Please retain these instructions for future reference

- Do not stand on or use any part of this item as a step ladder.
- Firmly secure all bolts, screws and knobs before use.
- Reconfirm that all bolts, screws and knobs are secure every 90days.
- Fasten screws loosely during initial assembly. Do not firmly tighten the screws until the item is completely assembled.
- Do not use or store this item in the proximity of open flame or combustible chemicals.
- Be aware that some parts are heavy and have sharp edges.
- If any parts are missing, broken, damaged, or worn, please contact us for assistance.

# Product Content

## A.1, Track



## A.2, Wall spacer

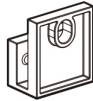


$\phi 10$



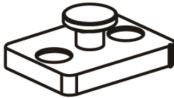
ST8X110

## D. Fixator



X1

## E. Pulley base



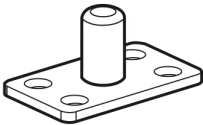
X2

ST4.8X50(X4)

## H. Floor guide



X1



X1

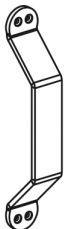


$\phi 8$ (x4)



ST4.2X32(X4)

## J. Handle



X1



ST4.2X25(X4)

## B. Movable pulley and bolts



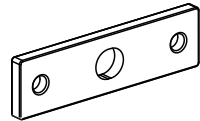
X1

## C. Fixed pulley and bolts



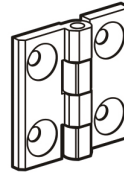
X1

## F. Track connector



M6x5

## G. Hinges



X3



ST6X25(X12)

## I. Seal



X1

K.  $\phi \frac{5}{32}$ "(4mm)

$\phi \frac{3}{32}$ "(2.5mm)

$\phi \frac{5}{64}$ "(2mm)

# Tools Needed

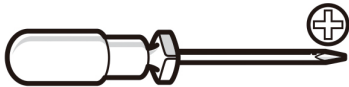
1.Pencil



2.Wrench



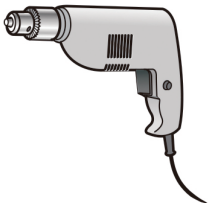
3.Phillips Screwdriver



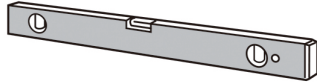
4.Plumb Bob



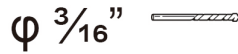
5.Drill



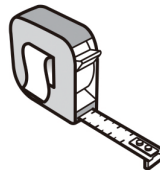
6.Level



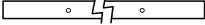

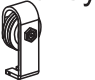



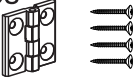
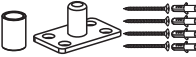
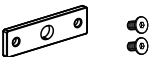
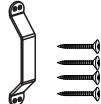

7.Drill Bit



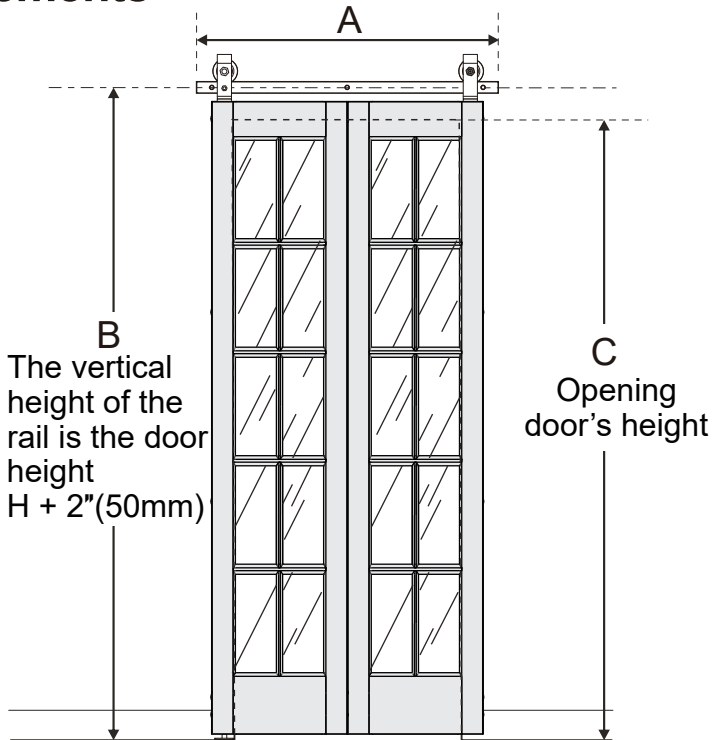
8.Tape



# PARTS LIST

| Door size  | 2x12"      | 2x14"      | 2x15"      | 2x16"      | 2x18"      | 2x21"      | 2x24"      | 4x12"             | 4x14"             | 4x15"             | 4x18"             |
|--|------------|------------|------------|------------|------------|------------|------------|-------------------|-------------------|-------------------|-------------------|
| <b>1.Track Size</b><br>                | <b>28"</b> | <b>32"</b> | <b>34"</b> | <b>36"</b> | <b>40"</b> | <b>46"</b> | <b>52"</b> | <b>28"<br/>x2</b> | <b>32"<br/>x2</b> | <b>34"<br/>x2</b> | <b>40"<br/>x2</b> |
| <b>2.Spacer</b><br>                    | <b>3</b>   | <b>3</b>   | <b>3</b>   | <b>3</b>   | <b>3</b>   | <b>3</b>   | <b>4</b>   | <b>6</b>          | <b>6</b>          | <b>6</b>          | <b>6</b>          |
| <b>3.Movable Pulley and bolts</b><br> | <b>1</b>   | <b>1</b>   | <b>1</b>   | <b>1</b>   | <b>1</b>   | <b>1</b>   | <b>1</b>   | <b>2</b>          | <b>2</b>          | <b>2</b>          | <b>2</b>          |
| <b>4.Fixed Pulley and bolts</b><br>   | <b>1</b>   | <b>1</b>   | <b>1</b>   | <b>1</b>   | <b>1</b>   | <b>1</b>   | <b>1</b>   | <b>2</b>          | <b>2</b>          | <b>2</b>          | <b>2</b>          |
| <b>5.Fixator</b><br>                  | <b>1</b>   | <b>1</b>   | <b>1</b>   | <b>1</b>   | <b>1</b>   | <b>1</b>   | <b>1</b>   | <b>2</b>          | <b>2</b>          | <b>2</b>          | <b>2</b>          |
| <b>6.Pulley base</b><br>               | <b>2</b>   | <b>2</b>   | <b>2</b>   | <b>2</b>   | <b>2</b>   | <b>2</b>   | <b>2</b>   | <b>4</b>          | <b>4</b>          | <b>4</b>          | <b>4</b>          |
| <b>7.Hinges</b><br>                  | <b>3</b>   | <b>3</b>   | <b>3</b>   | <b>3</b>   | <b>3</b>   | <b>3</b>   | <b>3</b>   | <b>6</b>          | <b>6</b>          | <b>6</b>          | <b>6</b>          |
| <b>8.Floor guide</b><br>             | <b>1</b>   | <b>1</b>   | <b>1</b>   | <b>1</b>   | <b>1</b>   | <b>1</b>   | <b>1</b>   | <b>2</b>          | <b>2</b>          | <b>2</b>          | <b>2</b>          |
| <b>9.Track connector</b><br>        | <b>1</b>   | <b>1</b>   | <b>1</b>   | <b>1</b>   | <b>1</b>   | <b>1</b>   | <b>1</b>   | <b>2</b>          | <b>2</b>          | <b>2</b>          | <b>2</b>          |
| <b>10.Handle</b><br>                | <b>1</b>   | <b>1</b>   | <b>1</b>   | <b>1</b>   | <b>1</b>   | <b>1</b>   | <b>1</b>   | <b>2</b>          | <b>2</b>          | <b>2</b>          | <b>2</b>          |
| <b>11.Seal</b><br>                   | <b>1</b>   | <b>1</b>   | <b>1</b>   | <b>1</b>   | <b>1</b>   | <b>1</b>   | <b>1</b>   | <b>2</b>          | <b>2</b>          | <b>2</b>          | <b>2</b>          |

# Measurements

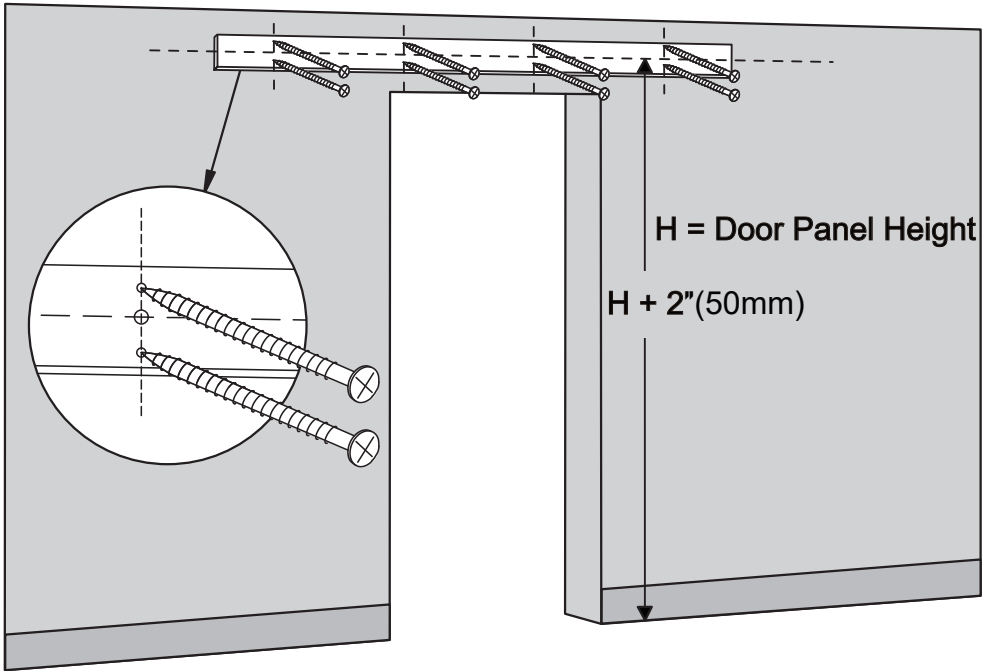


| Door Options | Door Size       | Opening Door Width | A Track Size | B Track Installation Height | C Door Opening Height |
|--------------|-----------------|--------------------|--------------|-----------------------------|-----------------------|
| 2 Doors      | (12" * 84") * 2 | ≤22 "              | 28"          | 86" (2184mm)                | ≤84 "                 |
|              | (14" * 84") * 2 | ≤26 "              | 32"          | 86" (2184mm)                | ≤84 "                 |
|              | (15" * 84") * 2 | ≤28 "              | 34"          | 86" (2184mm)                | ≤84 "                 |
|              | (16" * 84") * 2 | ≤30 "              | 36"          | 86" (2184mm)                | ≤84 "                 |
|              | (18" * 84") * 2 | ≤34 "              | 40"          | 86" (2184mm)                | ≤84 "                 |
|              | (21" * 84") * 2 | ≤40 "              | 46"          | 86" (2184mm)                | ≤84 "                 |
|              | (24" * 84") * 2 | ≤46 "              | 52"          | 86" (2184mm)                | ≤84 "                 |
|              | (18" * 96") * 2 | ≤34 "              | 40"          | 98" (2489mm)                | ≤96 "                 |
|              | (24" * 96") * 2 | ≤46 "              | 52"          | 98" (2489mm)                | ≤96 "                 |
| 4 Doors      | (12" * 84") * 4 | ≤46 "              | 28" x2       | 86" (2184mm)                | ≤84 "                 |
|              | (14" * 84") * 4 | ≤54 "              | 32" x2       | 86" (2184mm)                | ≤84 "                 |
|              | (15" * 84") * 4 | ≤58 "              | 34" x2       | 86" (2184mm)                | ≤84 "                 |
|              | (18" * 84") * 4 | ≤70 "              | 40" x2       | 86" (2184mm)                | ≤84 "                 |

# Installation suggestions

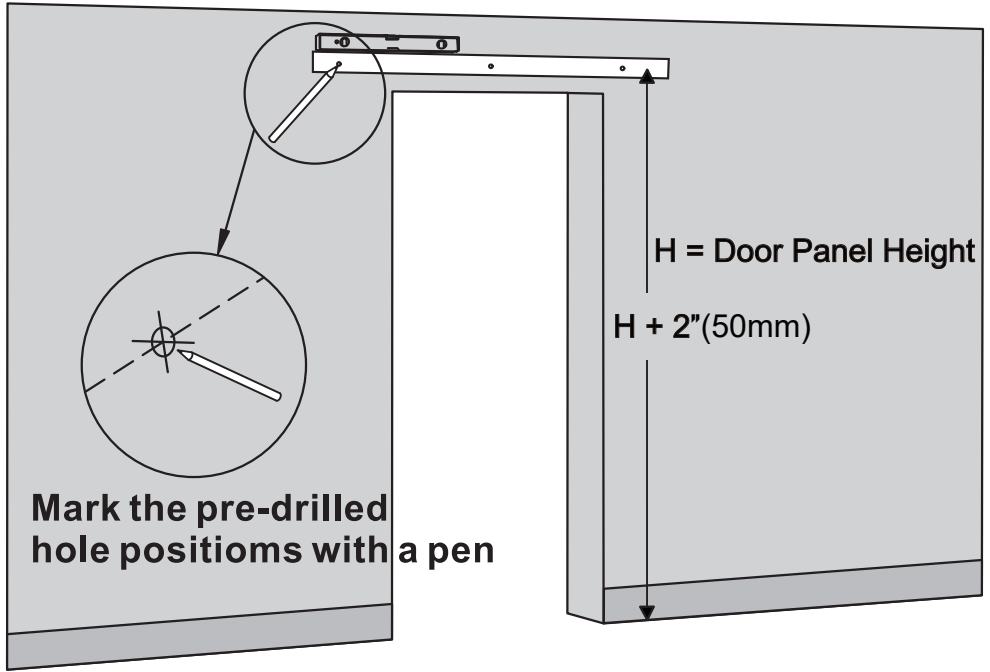
Sometimes there will be some issues when install the track such as a mismatch between studs and pre-drilled holes on the track. To avoid that we recommend using a head board on all installation scenario. The size of the head board should better be 1"x4" or 1"x6" and a bit longer than the track.

**\*Please note that the head board and matched screws are not included.**



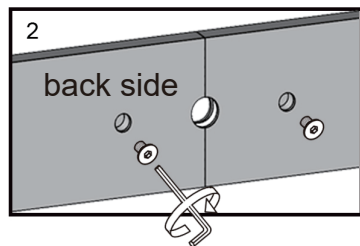
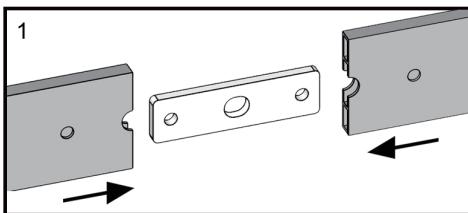
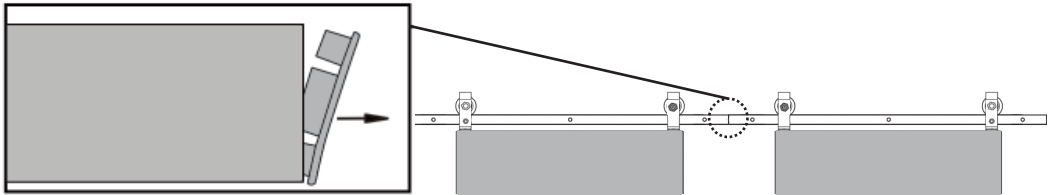
# Step 1

Position the track at the required height and pencil-mark the mounting holes to verify the installation location.



## Track installation

If the rail is too long or have multiple doors, Please remove the plastic cover at the end of the track. Then connect the rails with connectors, Pay attention to the screw hole facing the wall.



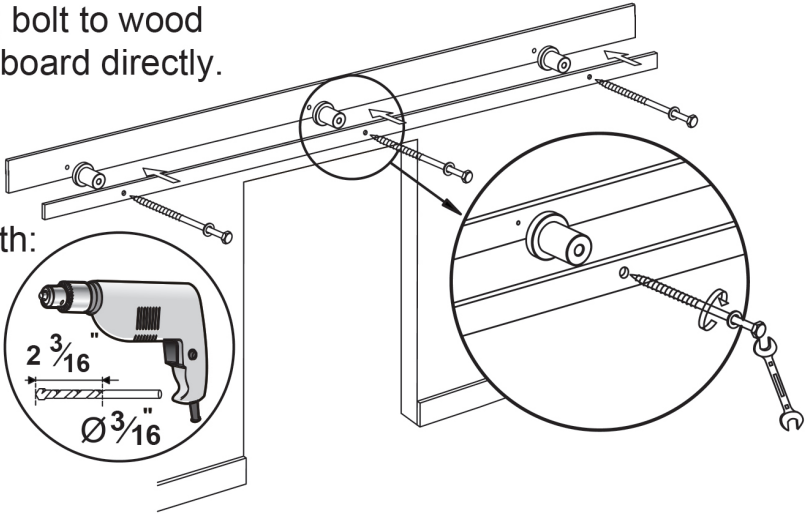
## Step2

Install rail



### ① Drywall Installation

Install the lag bolt to wood stud or head board directly.

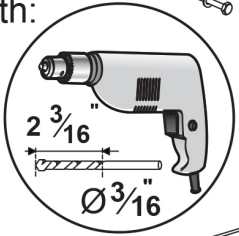


Bore hole depth:

$2\frac{3}{16}$ " (55mm)

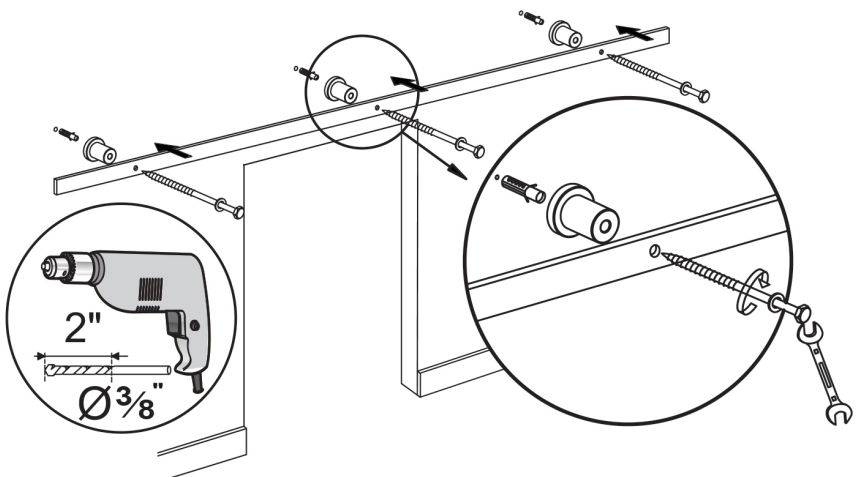
Bit diameter:

$\frac{3}{16}$ " (4.8mm)



### ② Concrete wall Installation

Install the white plastic anchor to holes on the wall first, then install lag bolt to anchor.

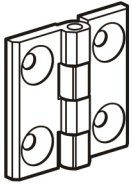


Bore hole depth: 2" (50mm)

Bit diameter:  $\frac{3}{8}$ " (10mm)

# Step3

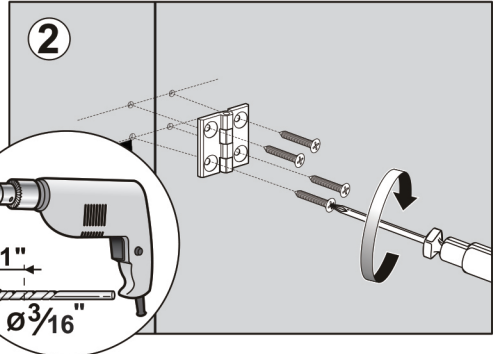
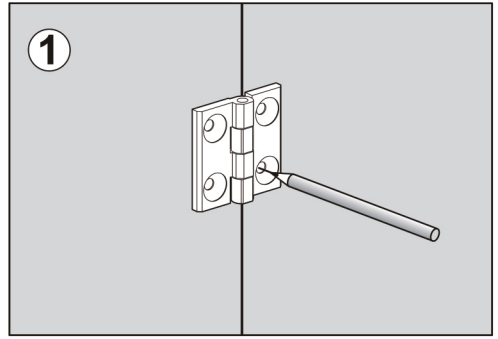
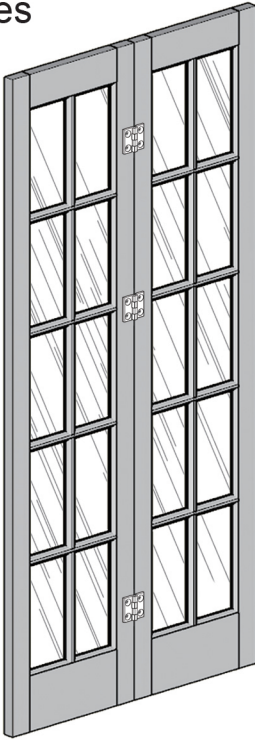
## Install hinges



X3



ST6X25  
(X12)

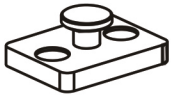


Bore hole depth: 1" (25mm)

Bit diameter:  $\frac{3}{16}$ " (4.8mm)

# Step4

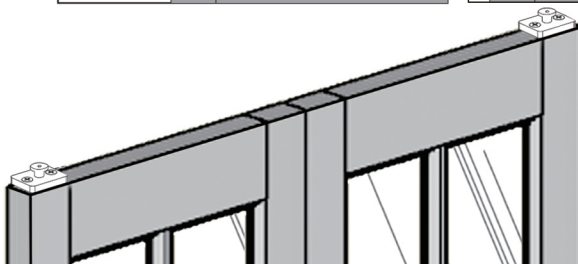
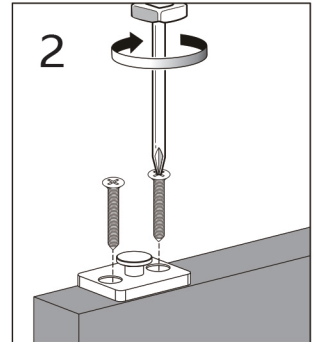
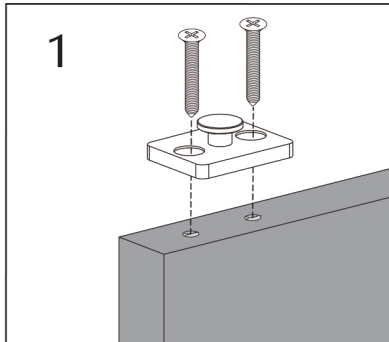
## Install pulley base



X2



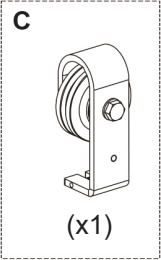
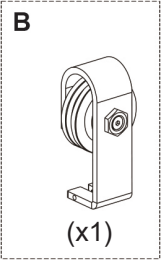
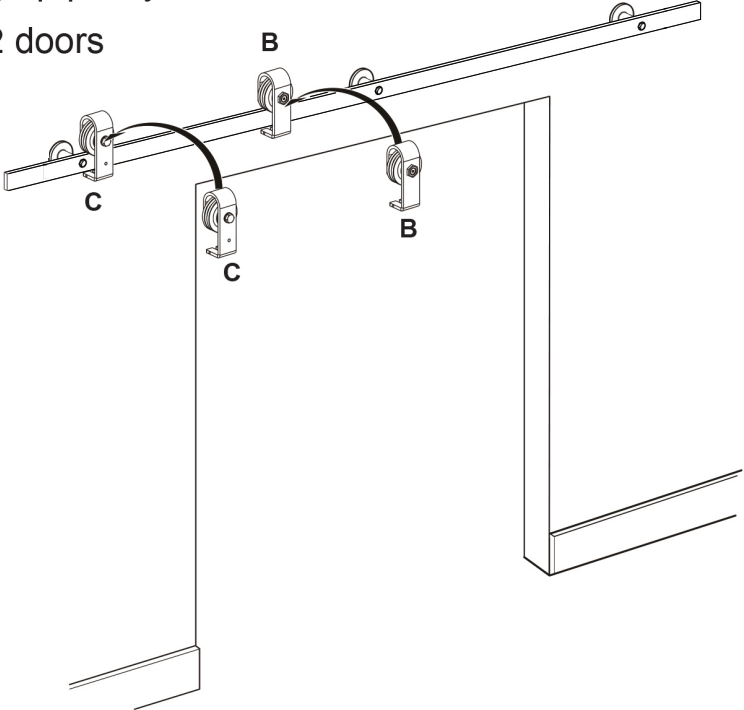
ST4.8X50(X4)



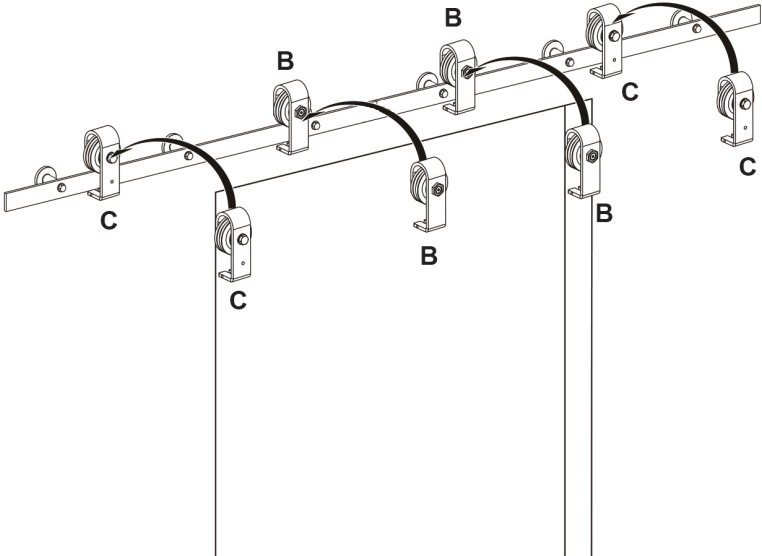
# Step5

Hang up pulley

For 2 doors

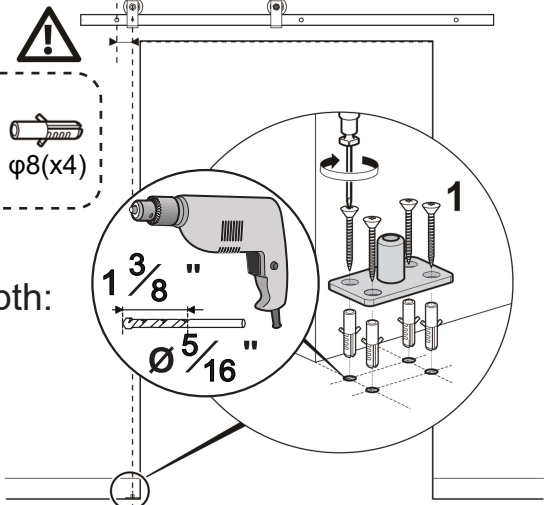
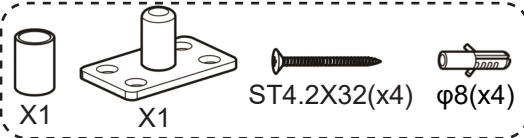


For 4 doors



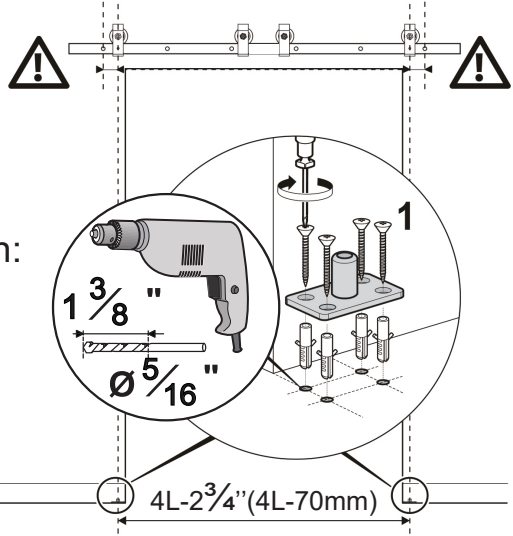
# Step6

Install floor guide



For 2 doors

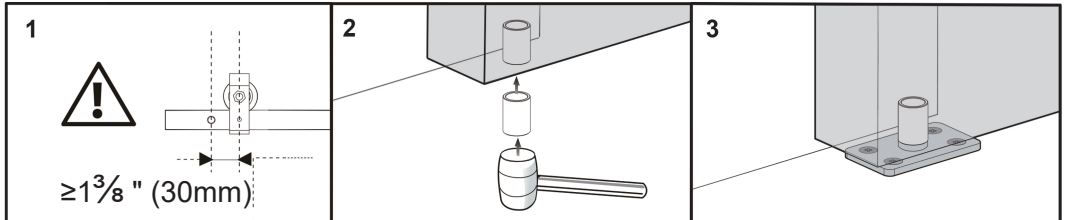
Bore hole depth:  
 $1\frac{3}{8}$  " (35mm)  
 Bit diameter:  
 $\frac{5}{16}$  " (8mm)



For 4 doors

Bore hole depth:  
 $1\frac{3}{8}$  " (35mm)  
 Bit diameter:  
 $\frac{5}{16}$  " (8mm)

Assuming that the width of the door panel is L the distance between the floor guides is  $4L - 2\frac{3}{4}$ " (4L-70mm)



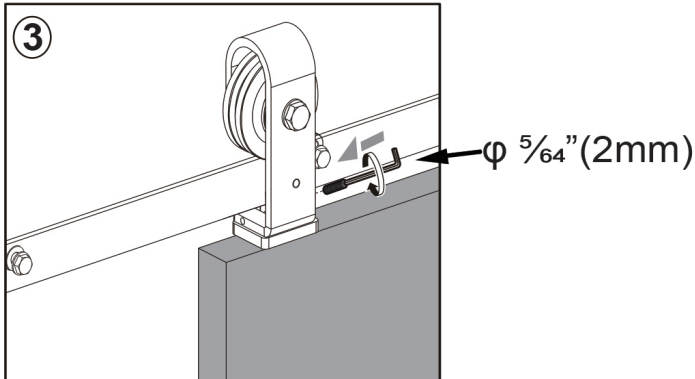
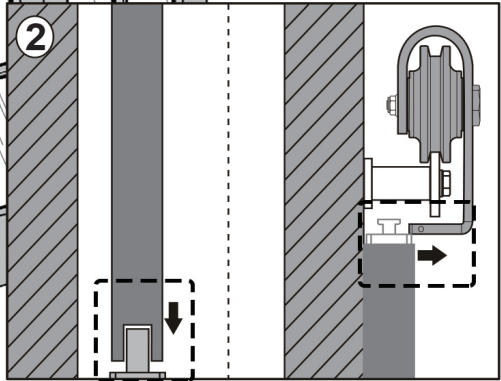
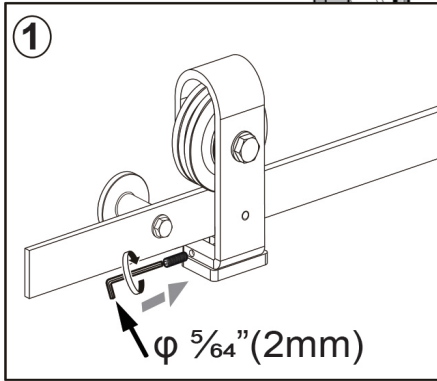
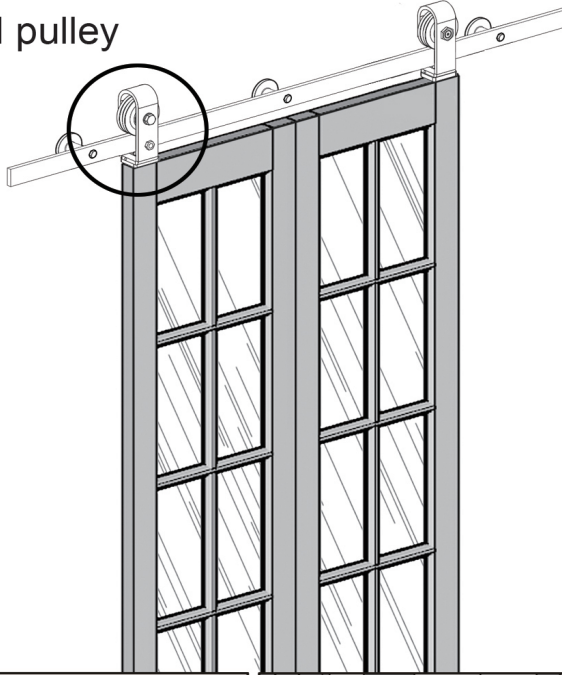
TIP: The min spacing from central position of fixed pulley C to spacer is  $\geq 1\frac{3}{16}$  " (30mm) .

Insert the metallic sheath of floor guide to bottom of door panel.

completed

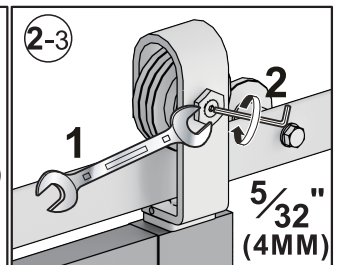
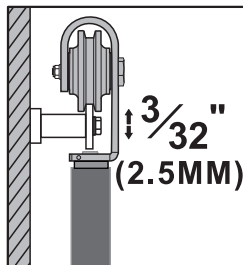
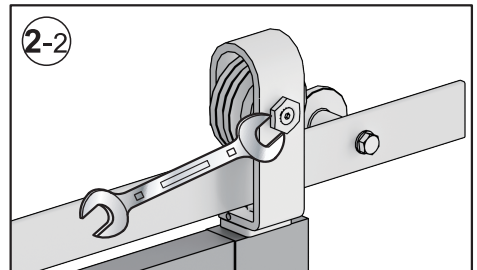
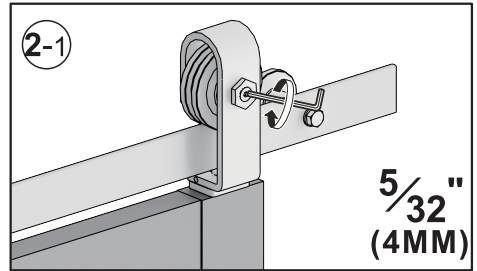
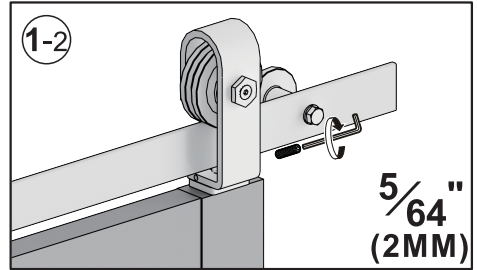
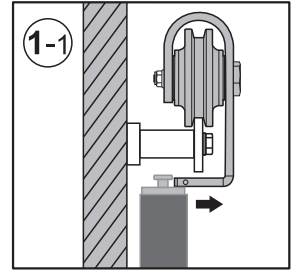
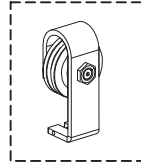
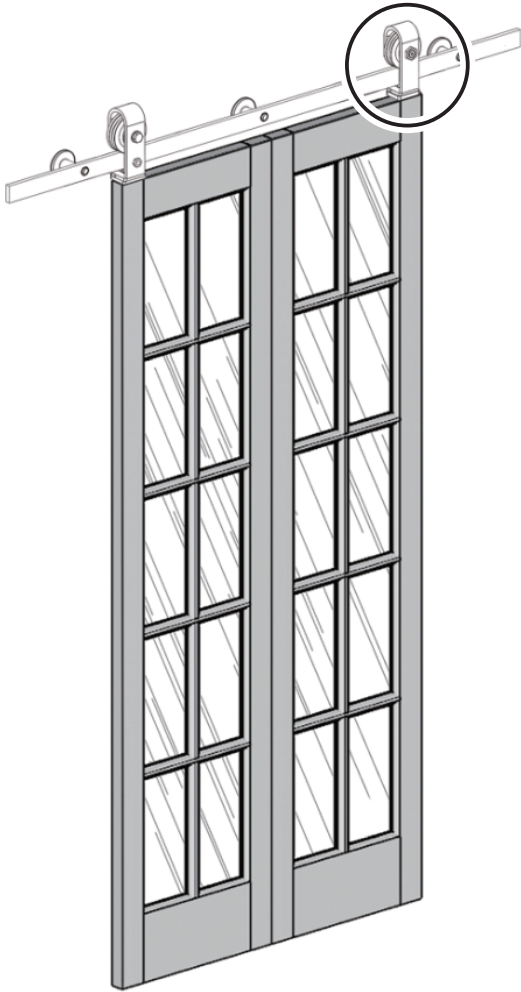
# Step7

Install fixed pulley



# Step8

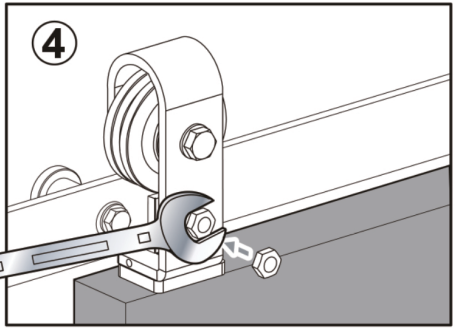
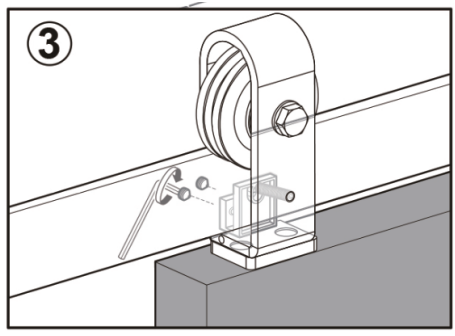
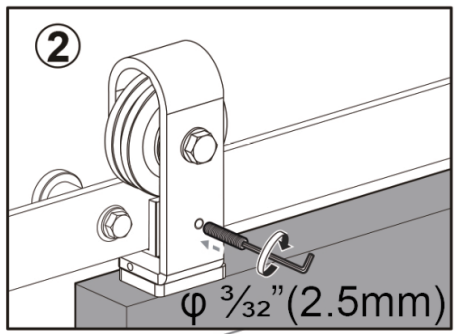
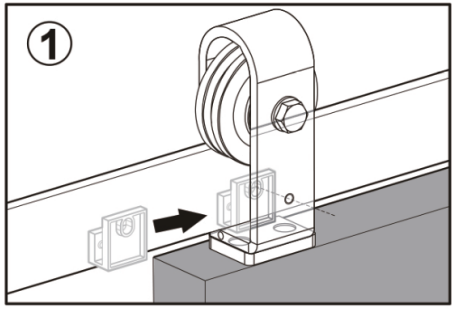
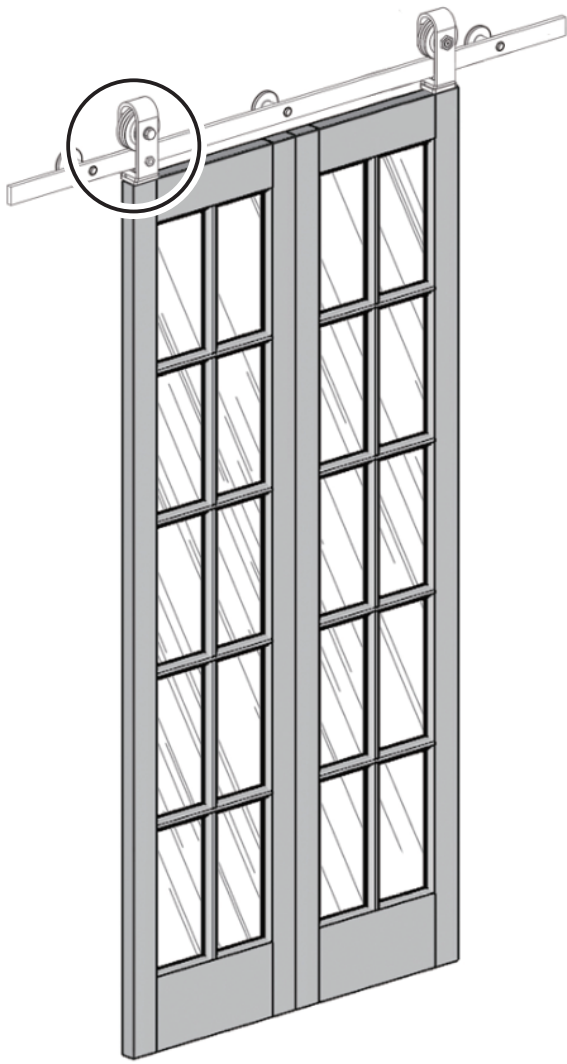
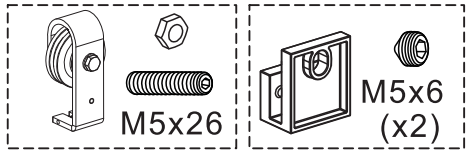
Install movable pulley.



If the height of two doors are uneven, align them by adjusting the height of movable **pulley 3** by hexagon wrench and wrench. adjustment range:  $\frac{3}{32}$ " (2.5MM)

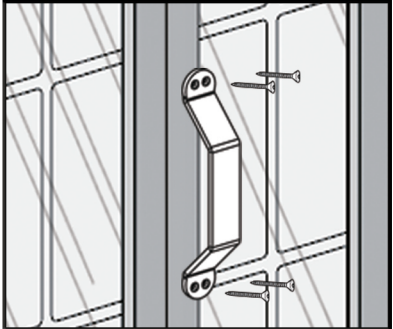
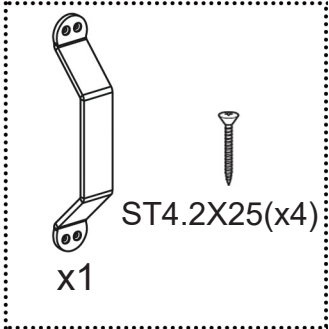
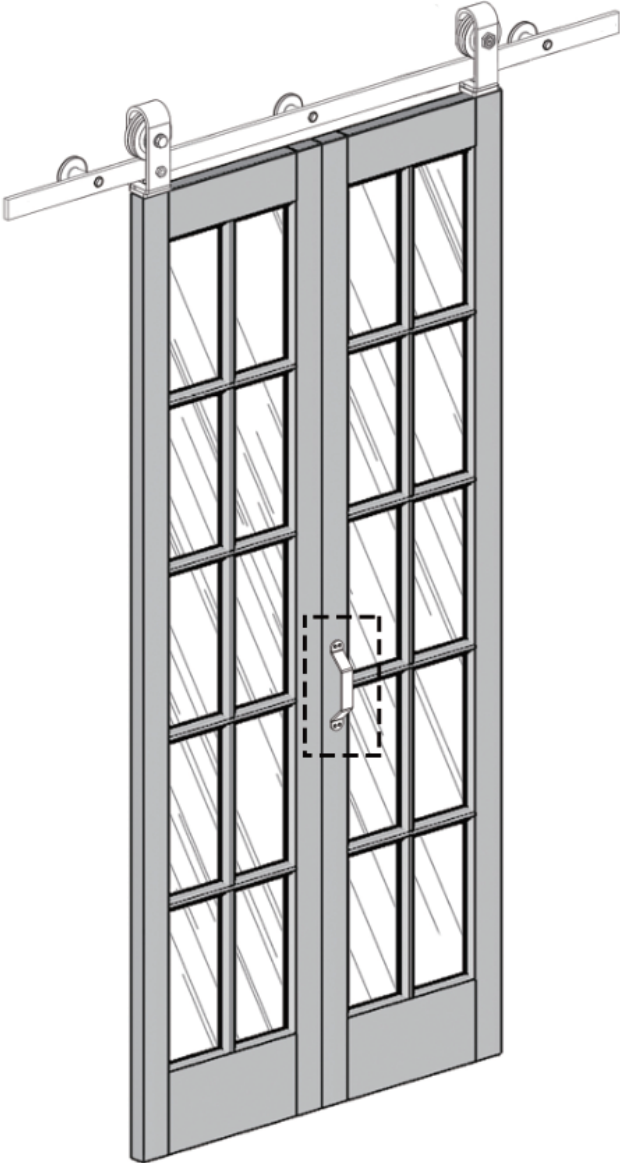
# Step9

Install the fixator of hanging pulley.



# Step10

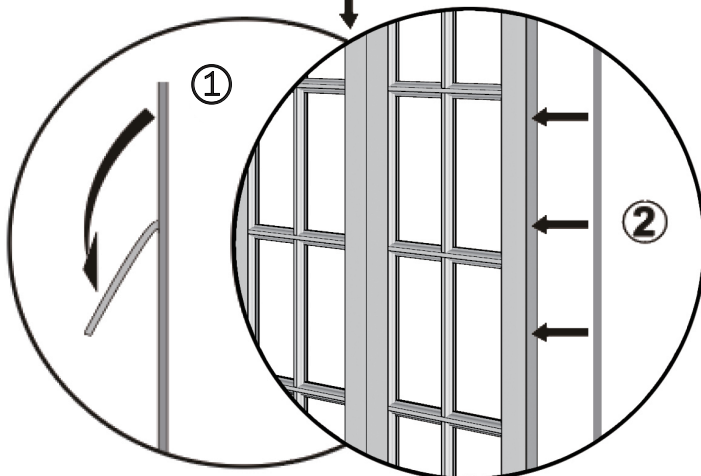
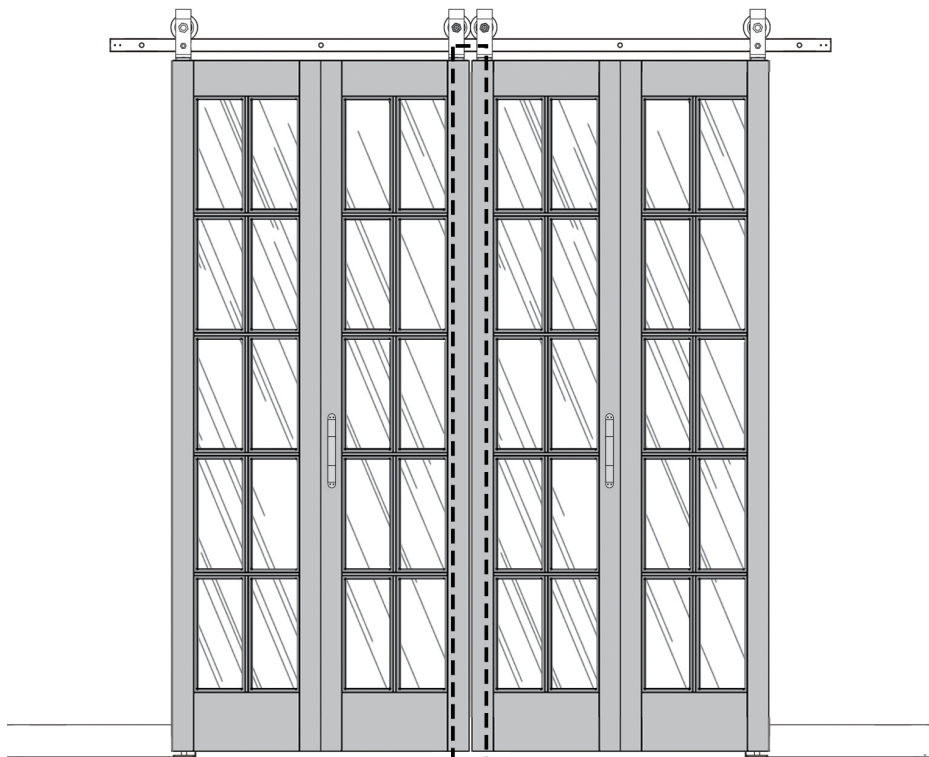
Install the handle



# Step11

**Stick a seal**

If there are 4 doors



Tear double-sided adhesive tape apart, then stick the seal