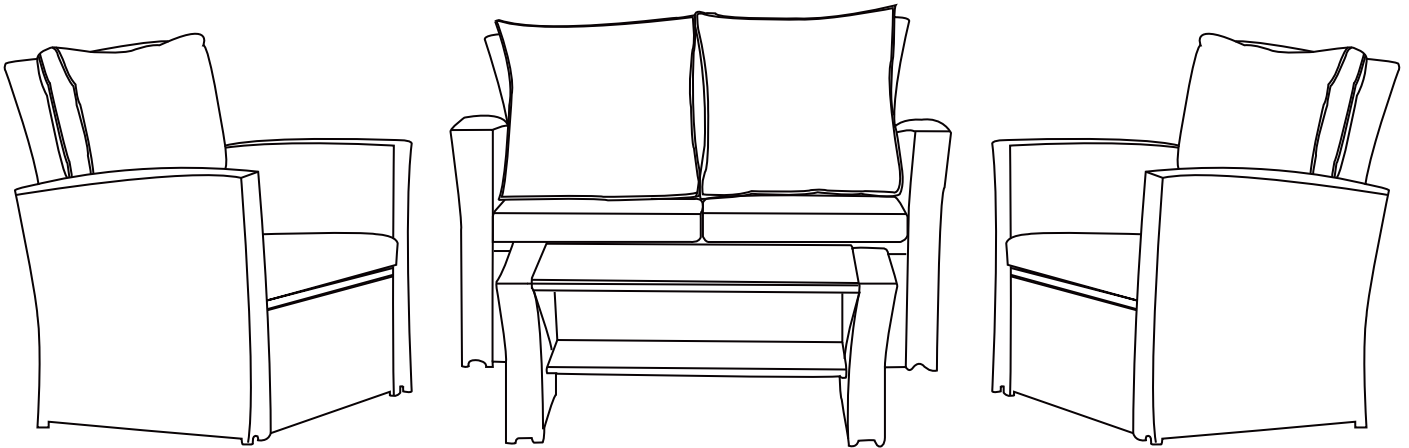


PATIO FURNITURE SET

**There is no need to return your furniture set.
Contact us for after-sale service!**



NOTICE

Please keep these instructions for future reference.

Dear Customer

- Thank you for your purchase. When you receive the product, please make sure that all the parts are intact. Then follow the entire installation instructions to install!
- There is an installation video on the product page, you can open the product page to view it or contact customer service to receive it.

A . The outer box is damaged

B . The product is damaged / bent / cracked while you open the box

C . The parts / accessories / assembly tools are missing

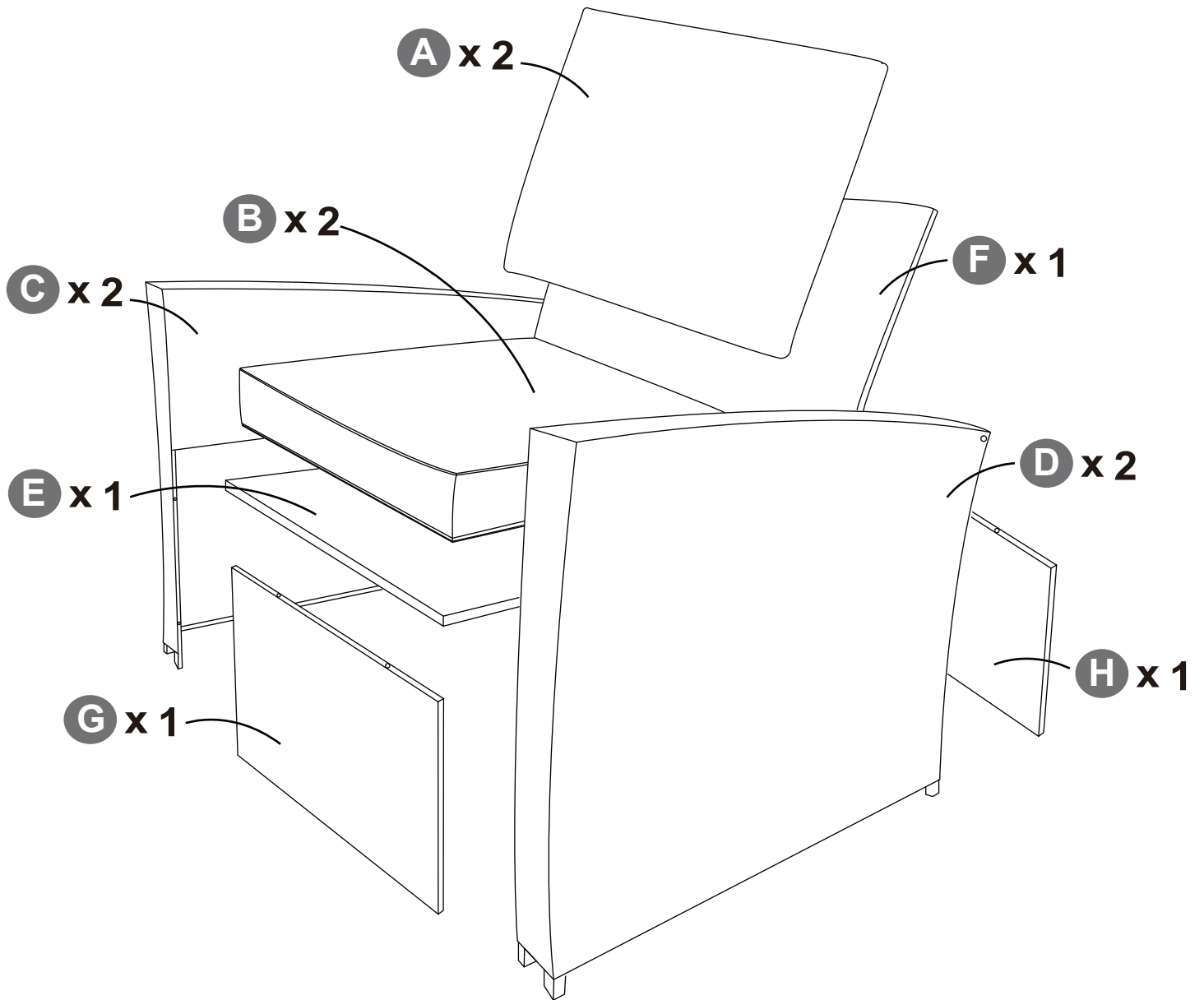
D . The instructions are not clear and can not be referred

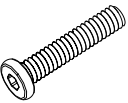
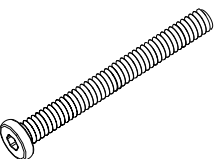
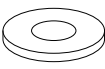
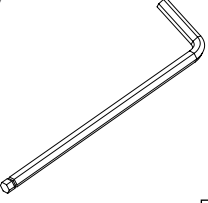
E . The product has functional problems

F . Other aspects that you are not satisfied with

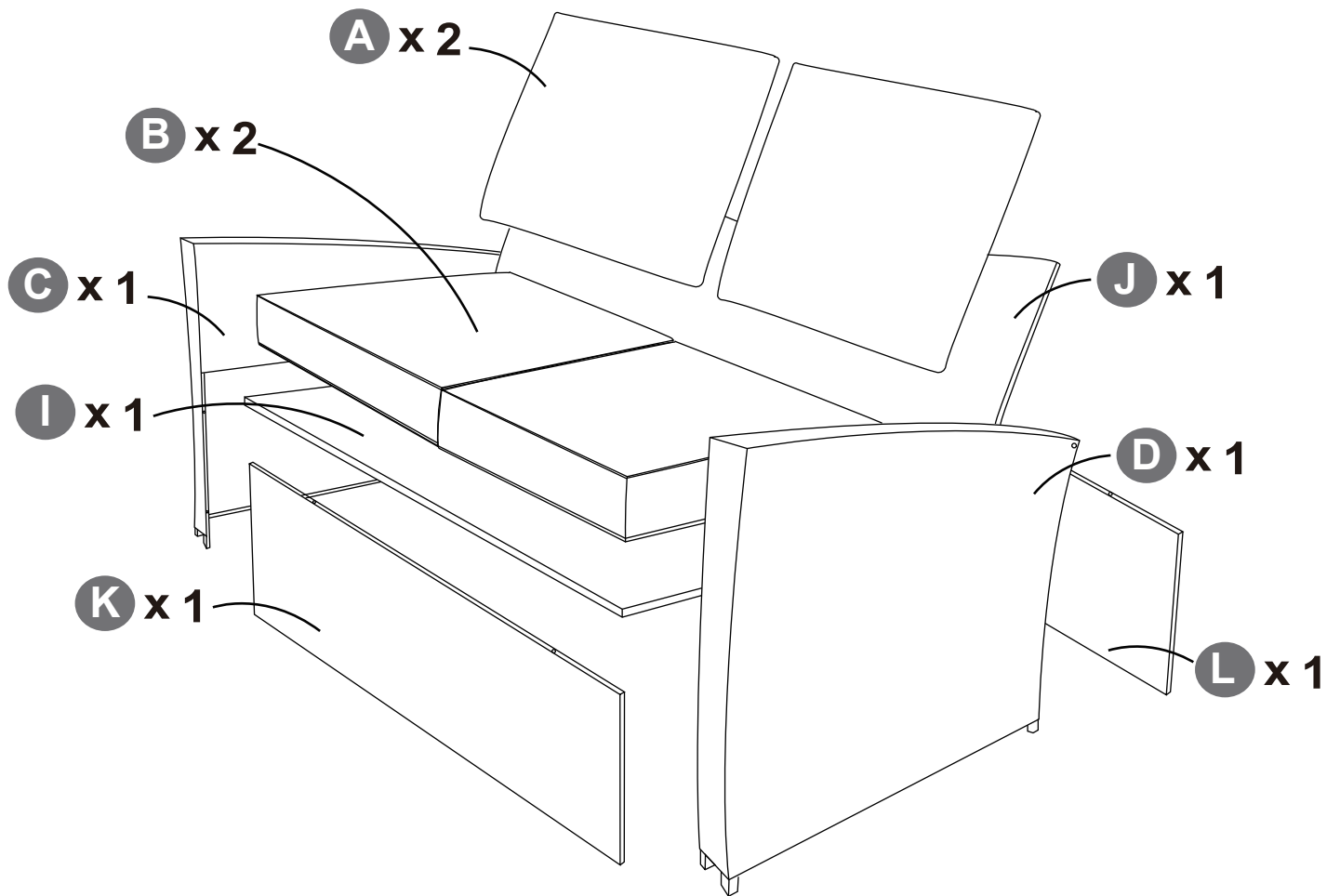
Please feel free to contact us for help. Our after-sales team service

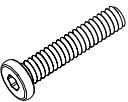
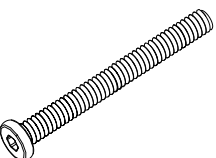
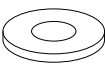
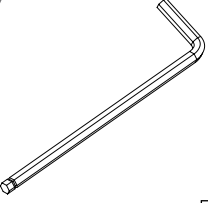
PART LIST



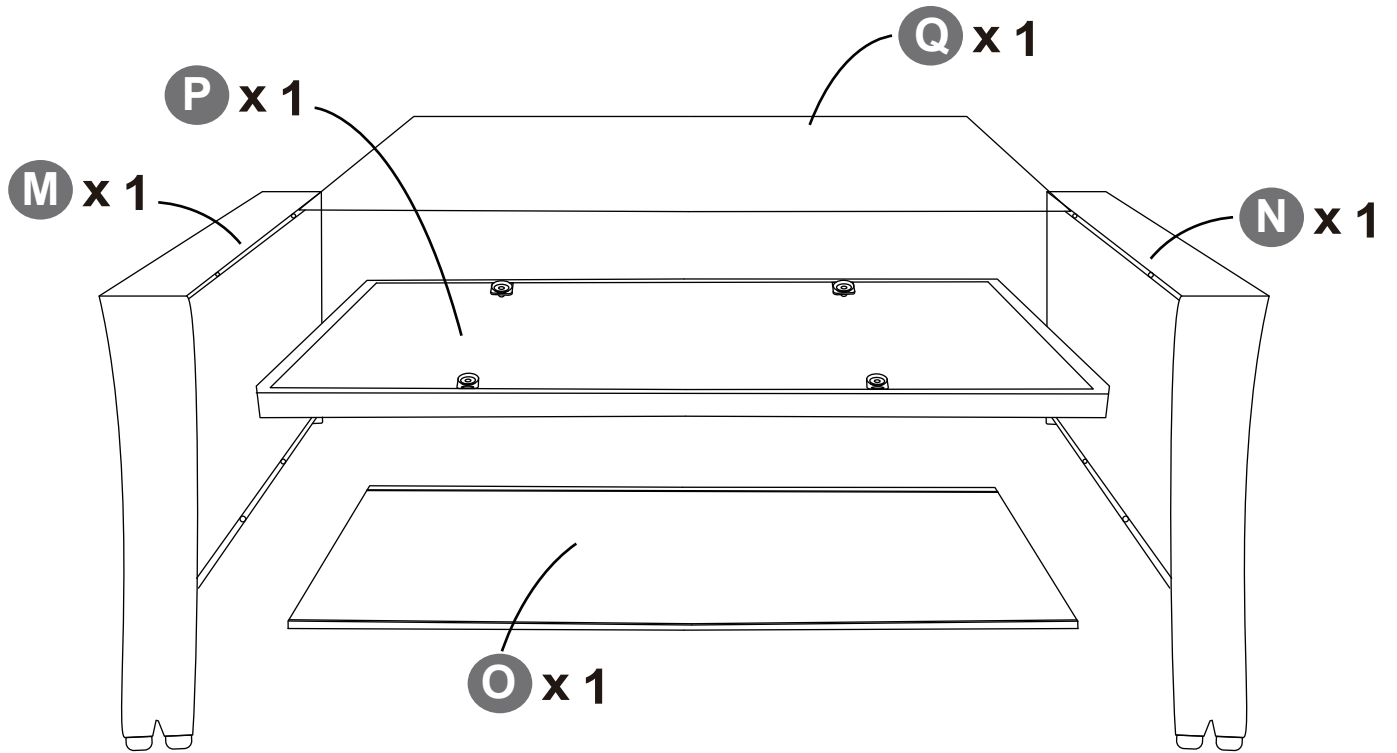
1  M6*30MM x 34	2  M6*90MM x 4	3  x 38	4  x 1
--	---	--	--

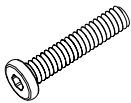
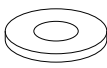
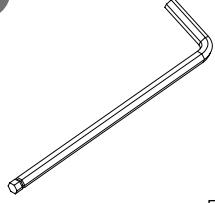
PART LIST



1  M6*30MM x 18	2  M6*90MM x 2	3  x 20	4  x 1
--	---	--	--

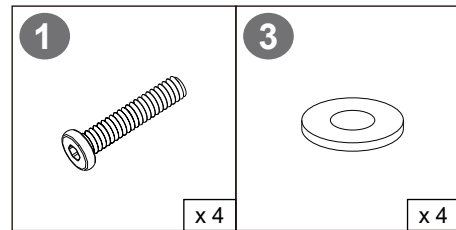
PART LIST



1  M6*30MM x 8	3  x 8	4  x 1
---	--	--

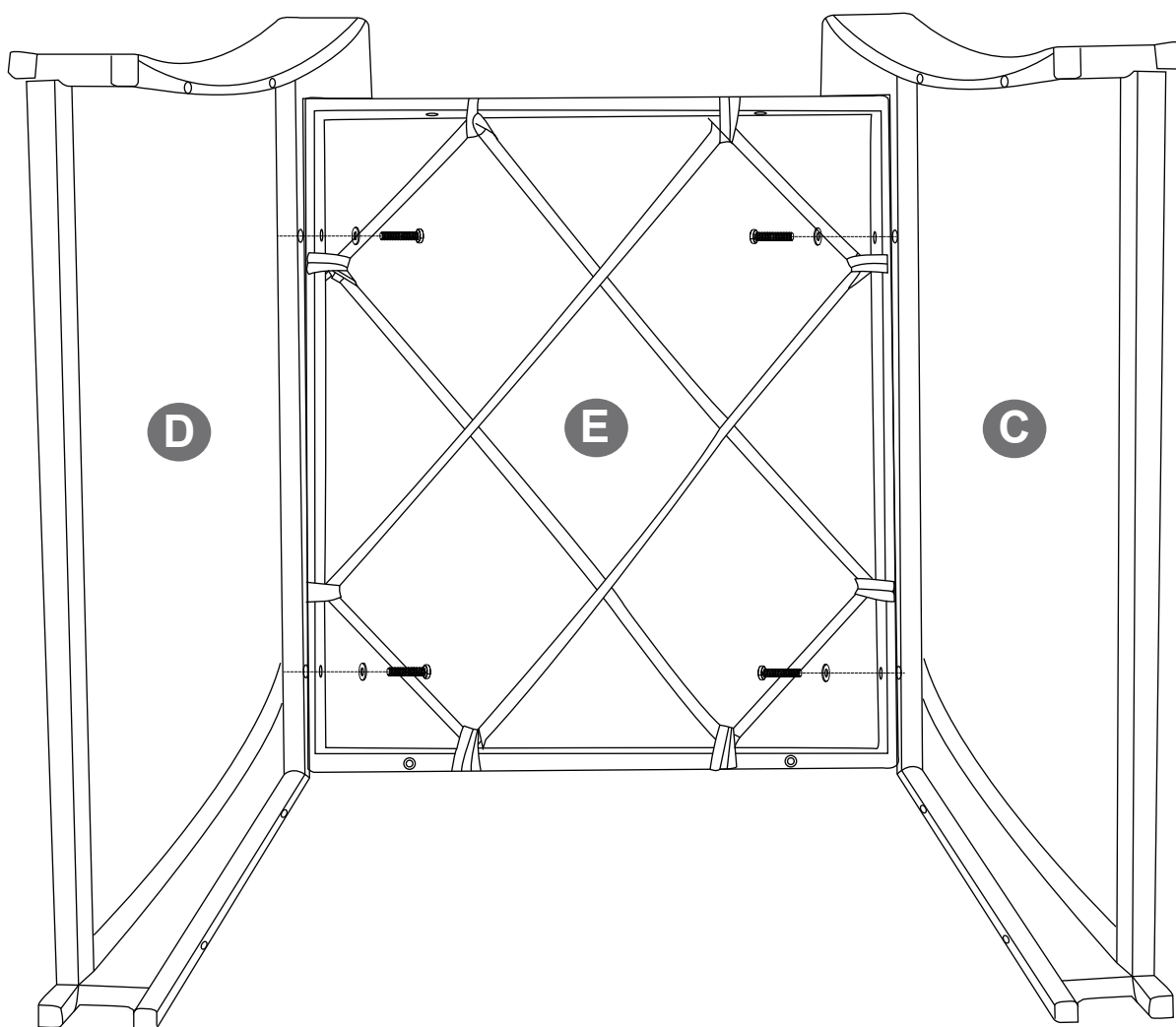
STEP

1



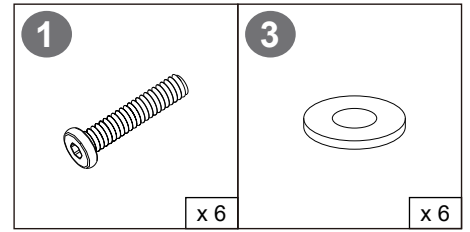
Install the seat plate (part E) with the product's armrests facing down first.

(Tips: Screws first fixed to 80%)



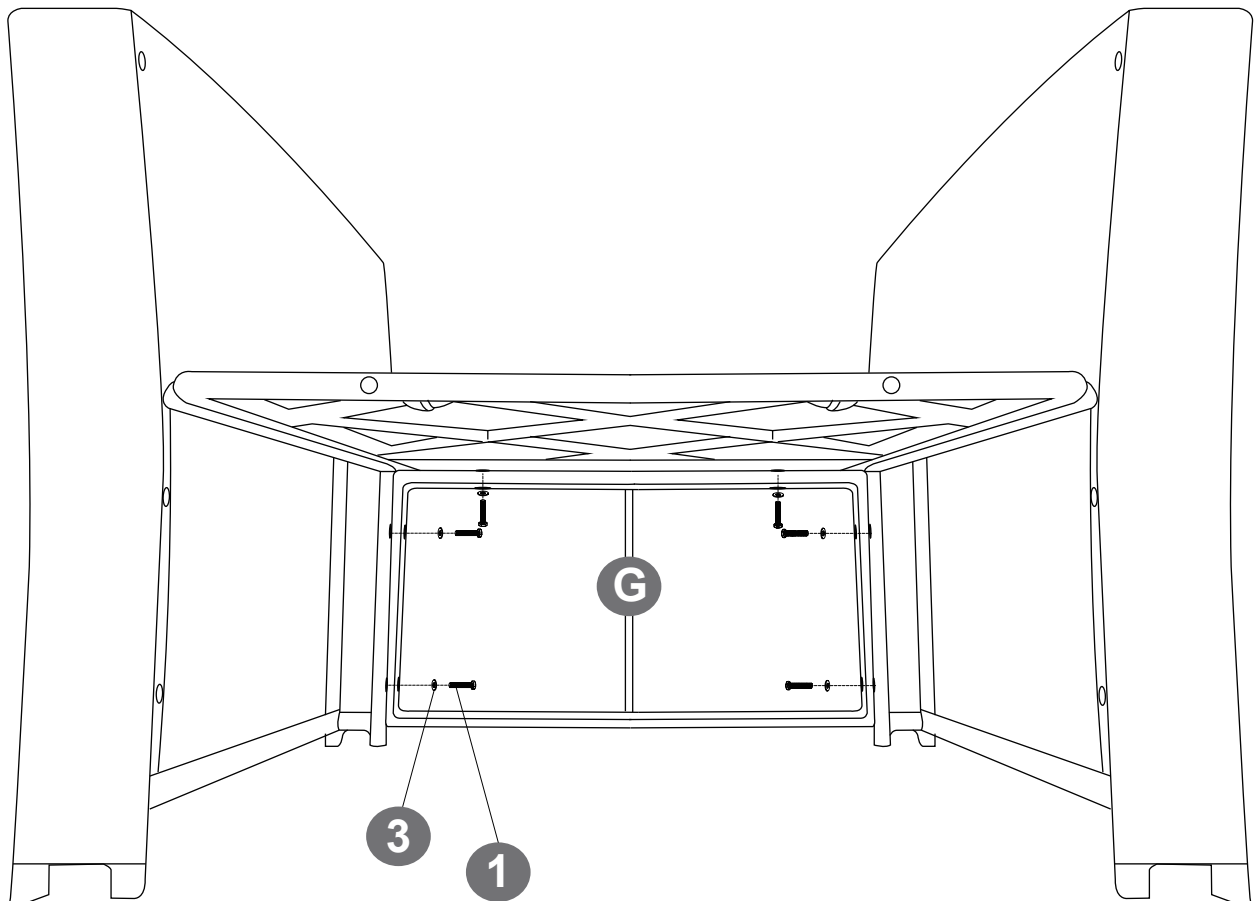
STEP

2



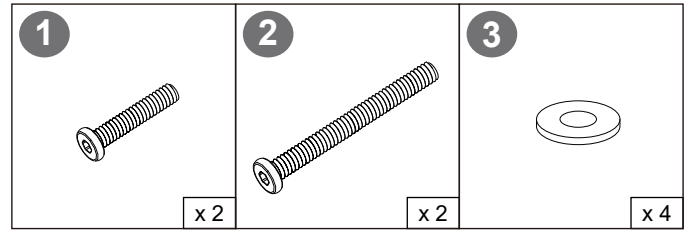
Then continue to install the front apron (part G) .

(Tips: Screws first fixed to 80%)



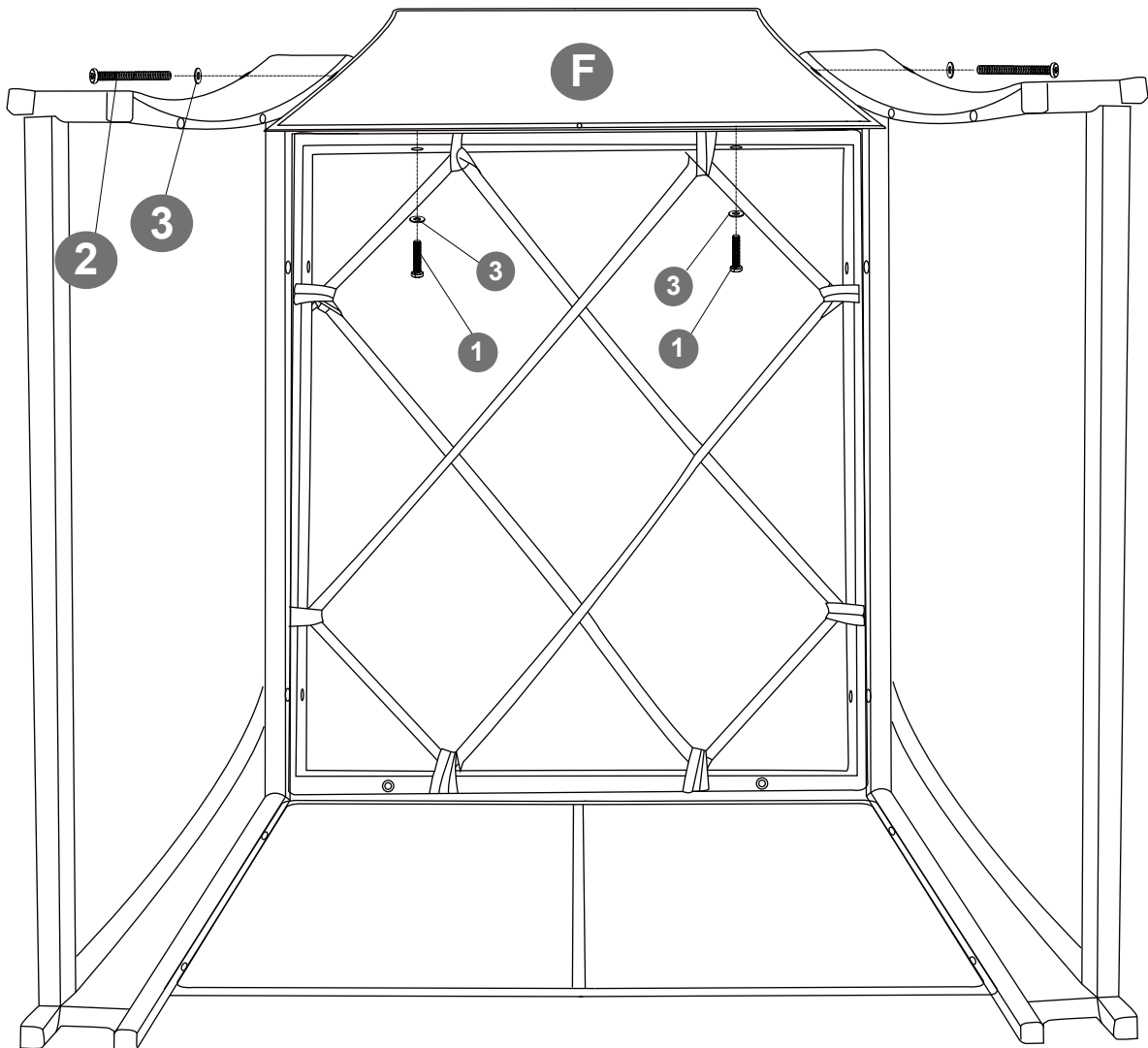
STEP

3



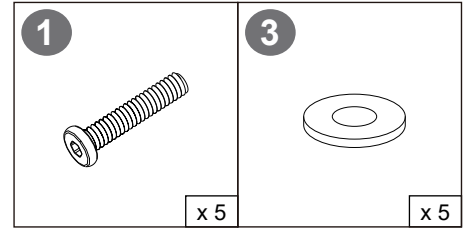
Secure the ends of the backboard (part F) to the armrests (part D,C) on both sides with #2 nails, then secure the underside of the backboard from the bottom up.

(Tips: Screws first fixed to 80%)



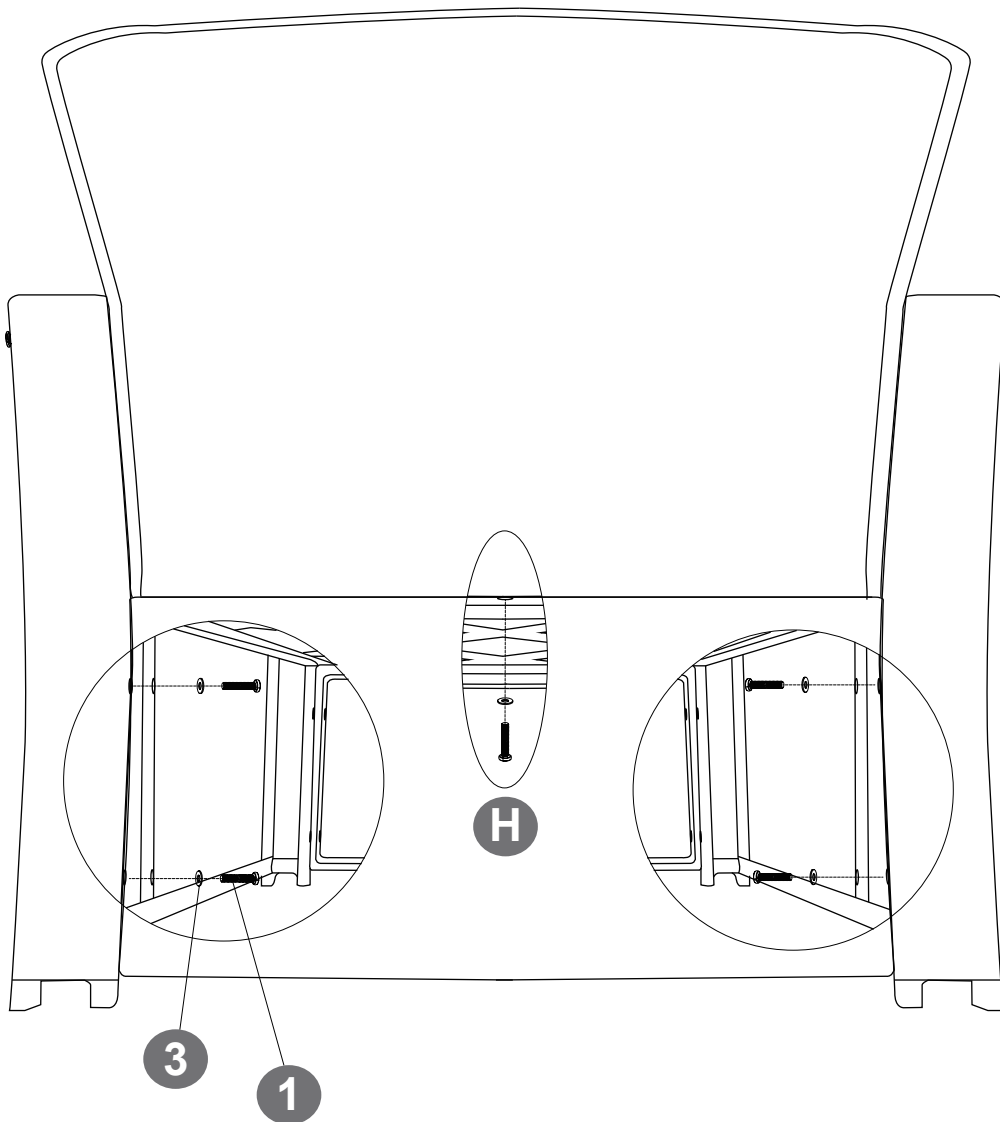
STEP

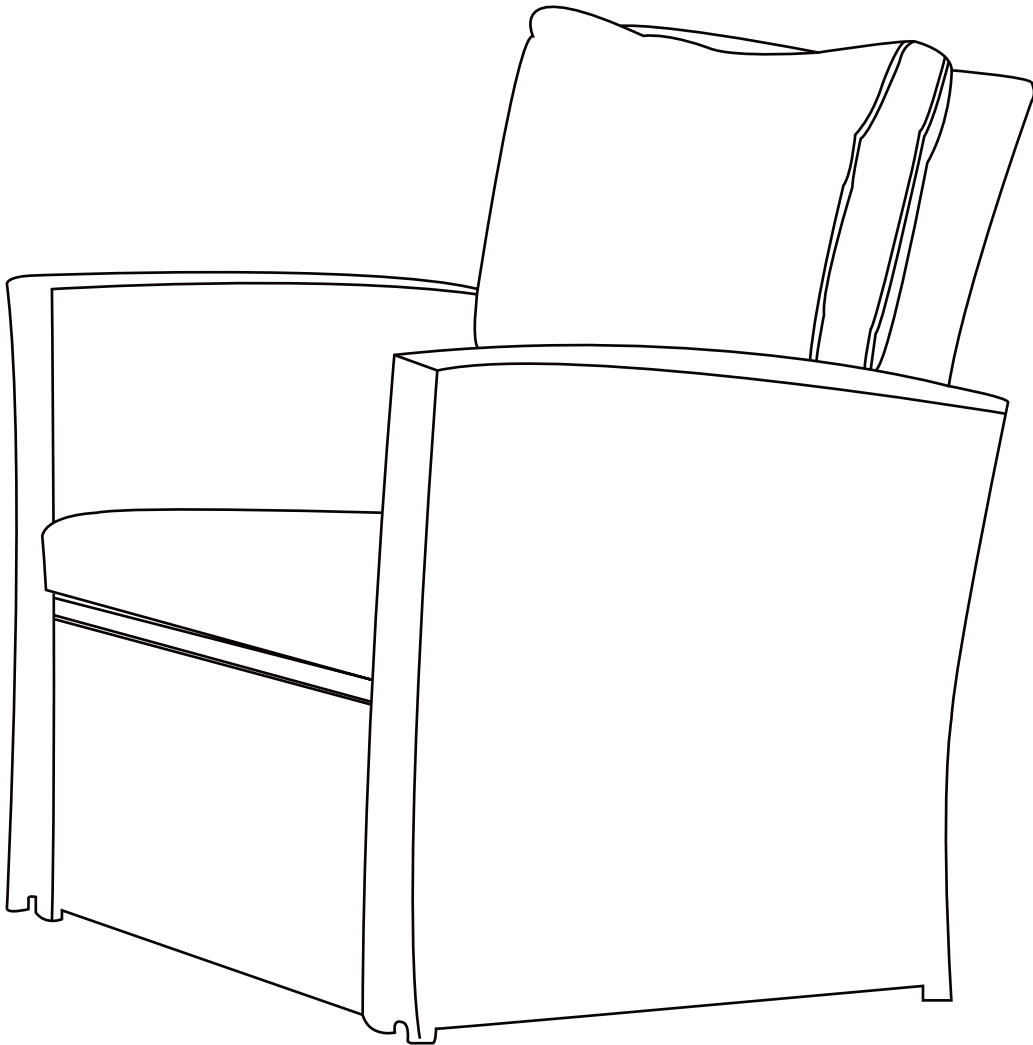
4



Finally, install the rear baffle (part H) as shown in the illustration and the product installation is complete.

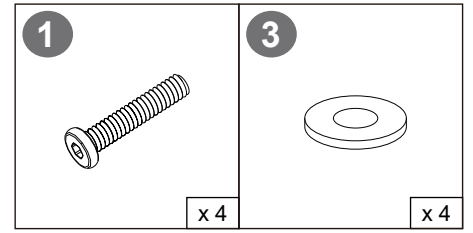
(Tips: after all holes are aligned, then fixed to 100%)



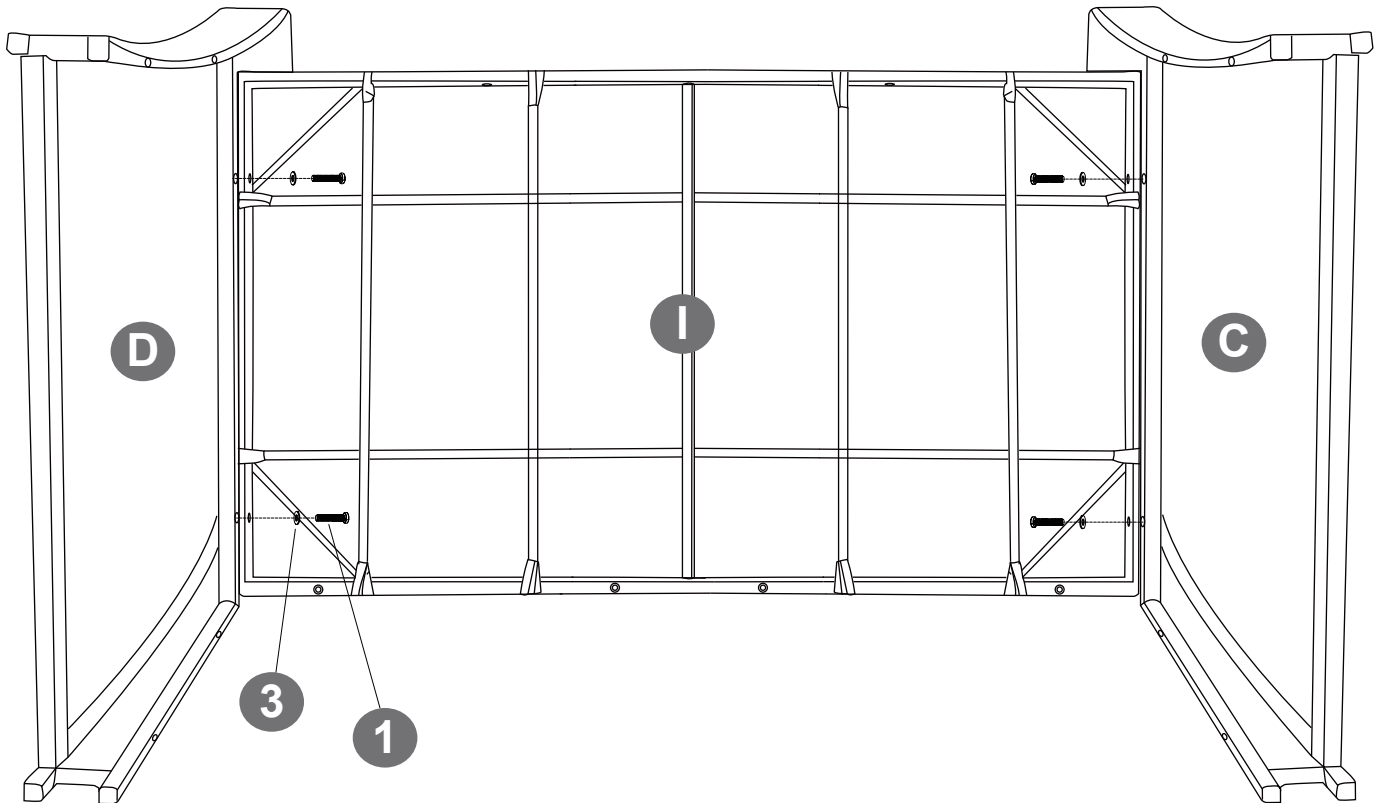


STEP

1

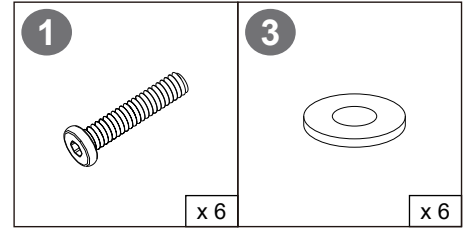


Install the seat plate (part E) with the product's armrests facing down first.
(Tips: Screws first fixed to 80%)

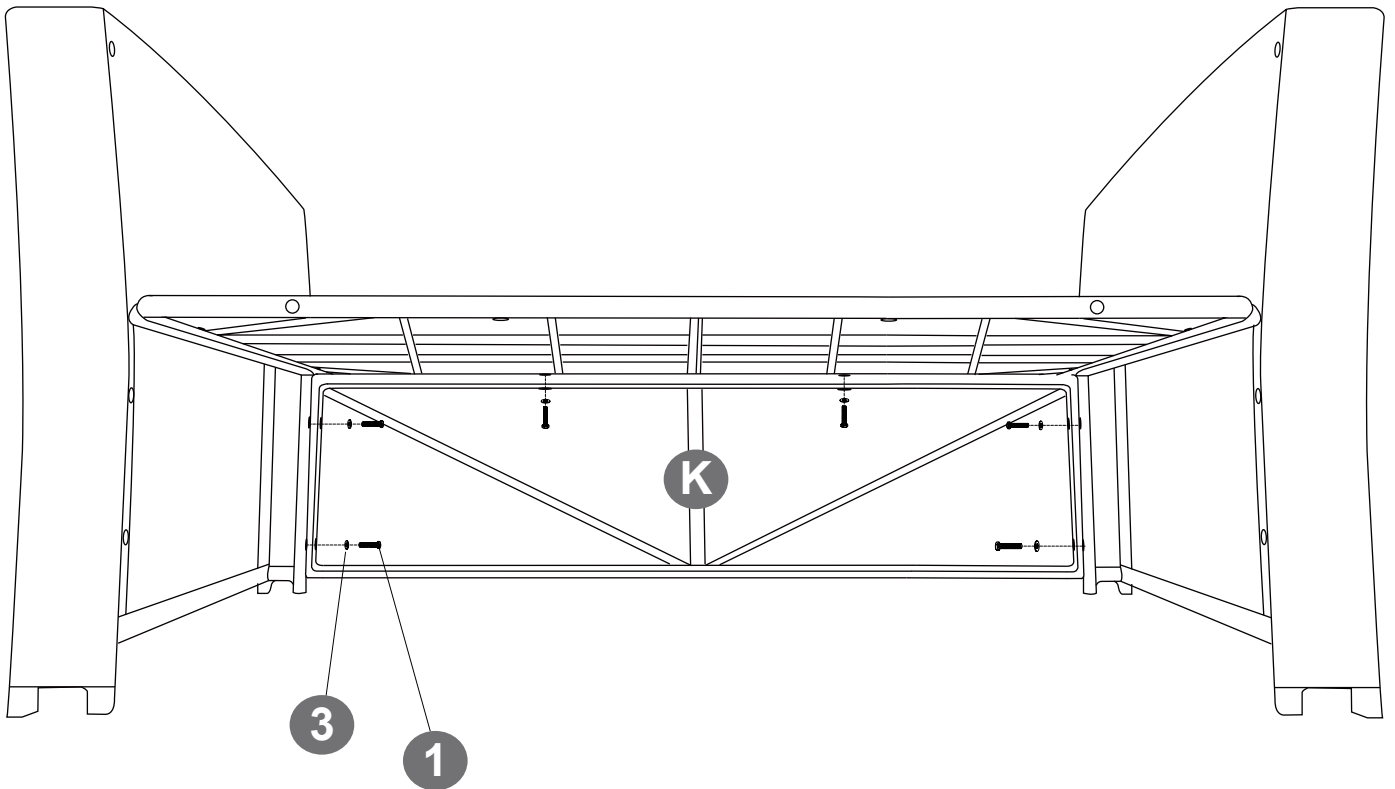


STEP

2

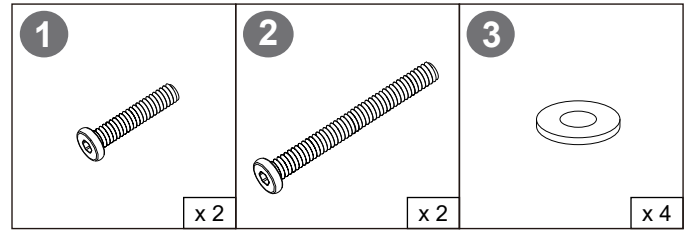


Then continue to install the front apron (part G) .
(Tips: Screws first fixed to 80%)



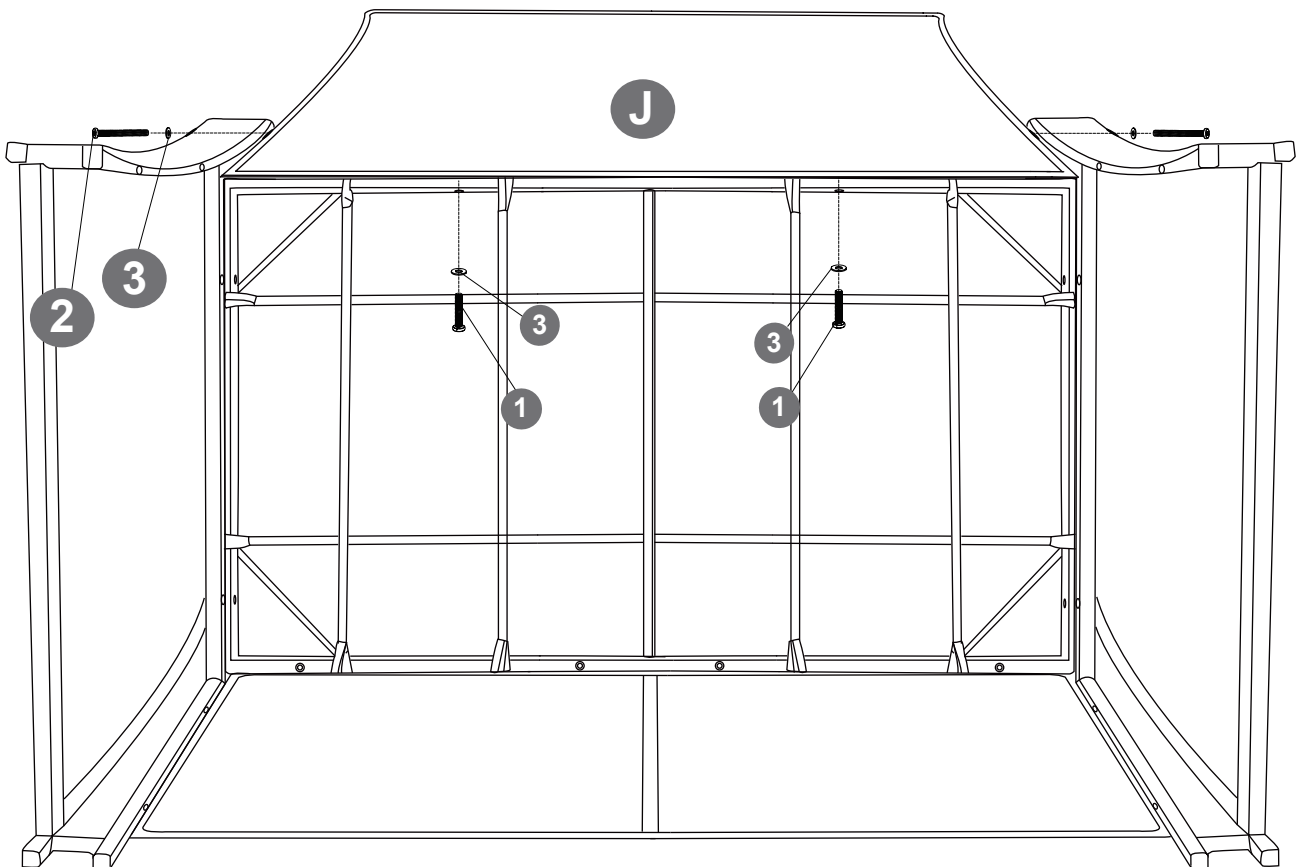
STEP

3



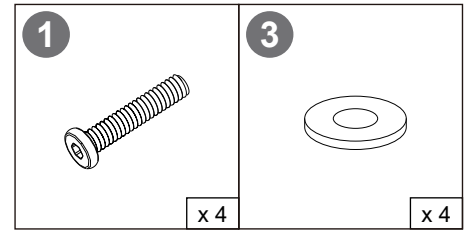
Secure the ends of the backboard (part F) to the armrests (part D,C) on both sides with #2 nails, then secure the underside of the backboard from the bottom up.

(Tips: Screws first fixed to 80%)



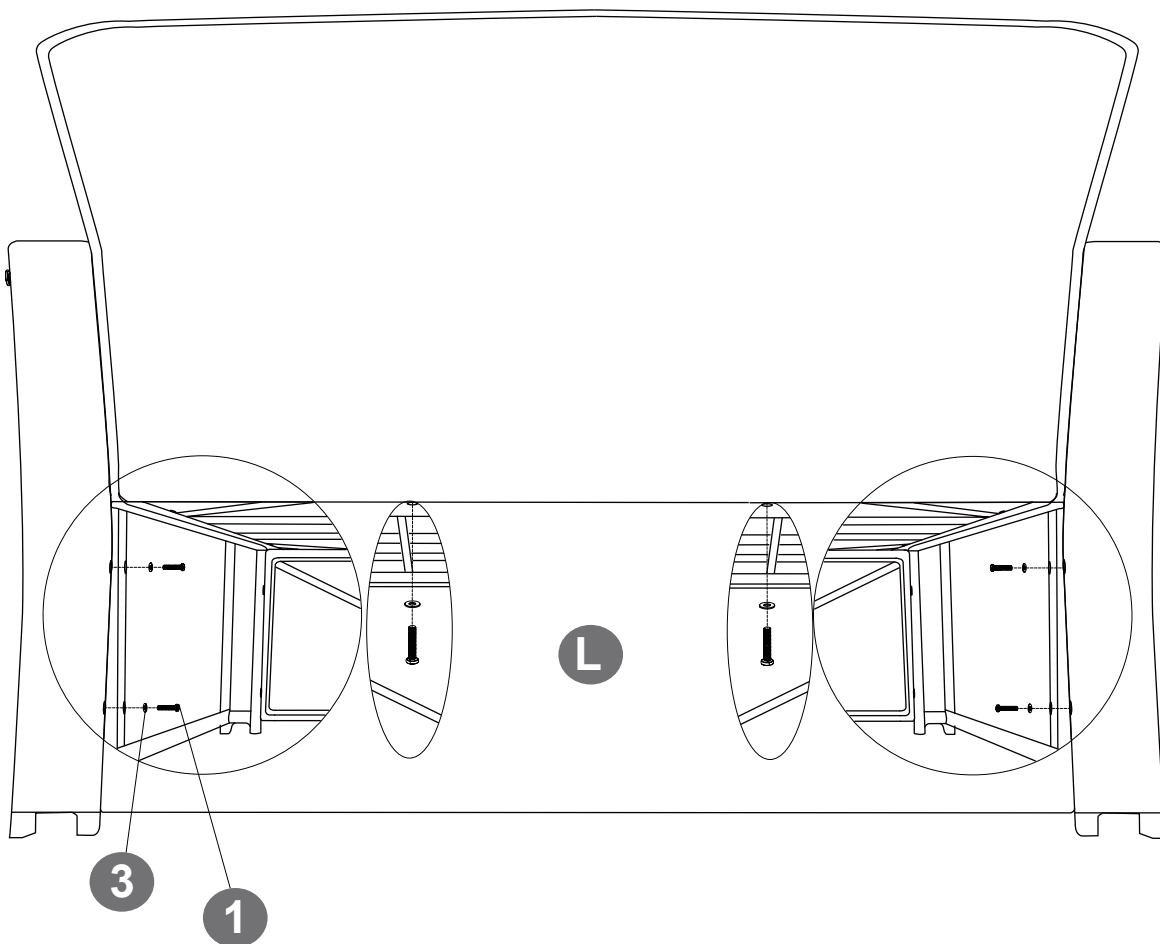
STEP

4



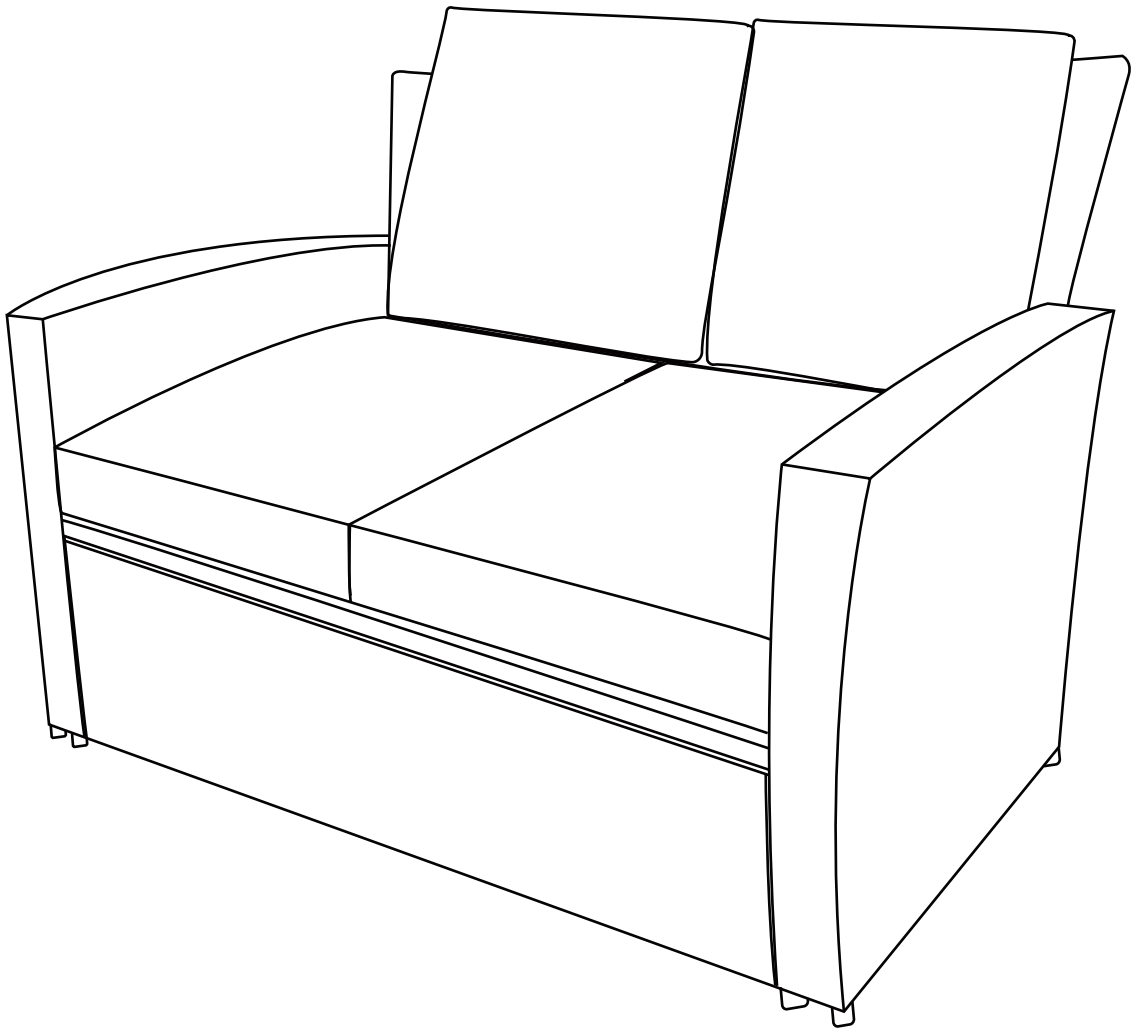
Finally, install the rear baffle (part H) as shown in the illustration and the product installation is complete.

(Tips: after all holes are aligned, then fixed to 100%)



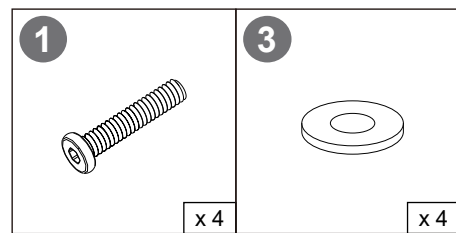
STEP

5



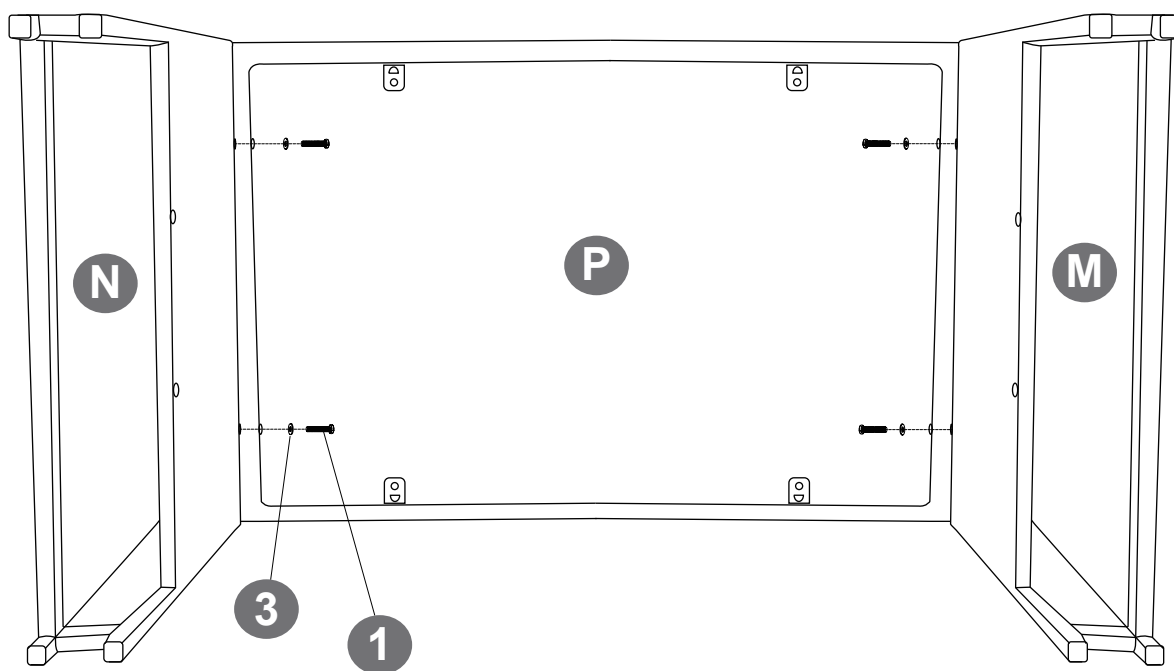
STEP

1



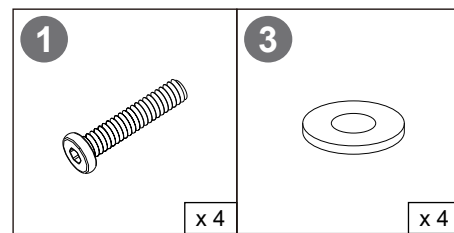
Invert the coffee table support legs (part N,M) and install the panel (part P) .

(Tips: Screws first fixed to 80%)



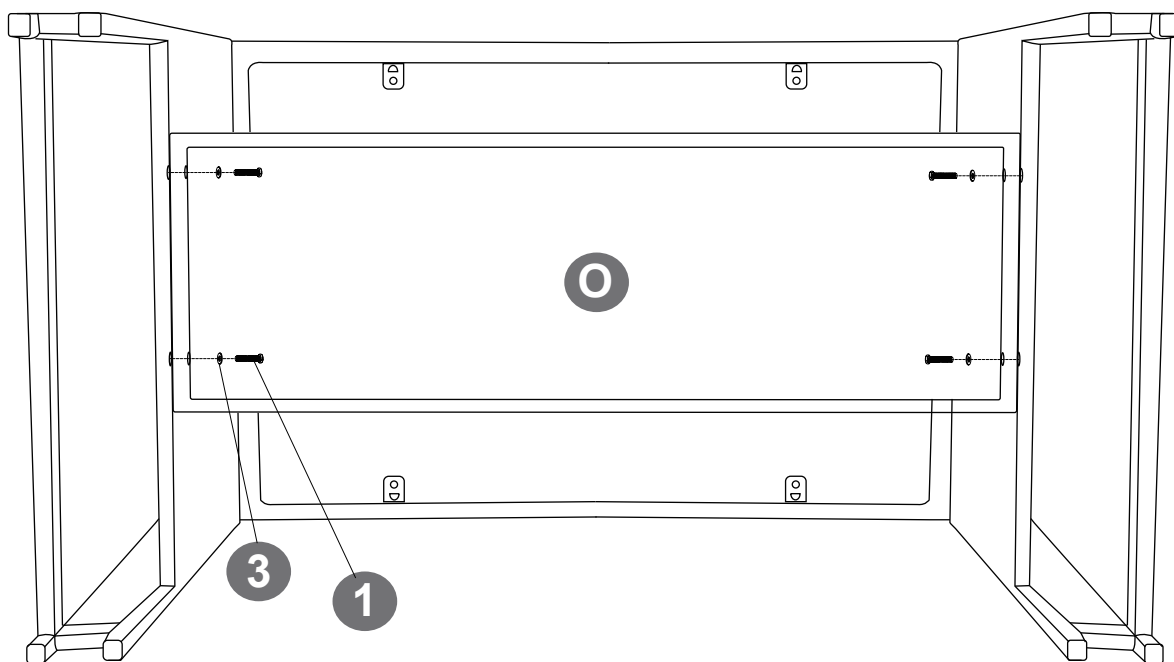
STEP

2



Then proceed to install the base plate (part O) .

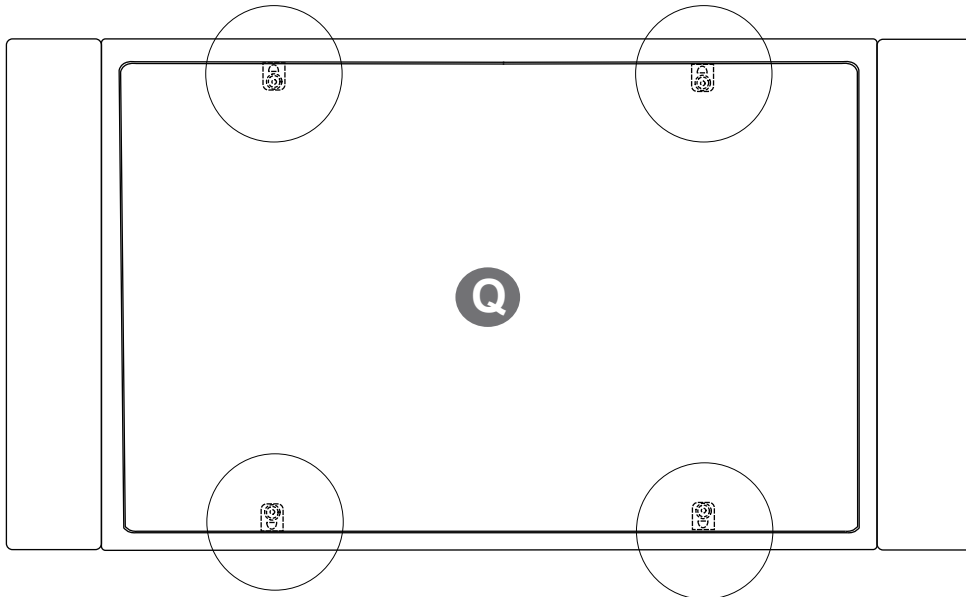
(Tips: after all holes are aligned, then fixed to 100%)



STEP

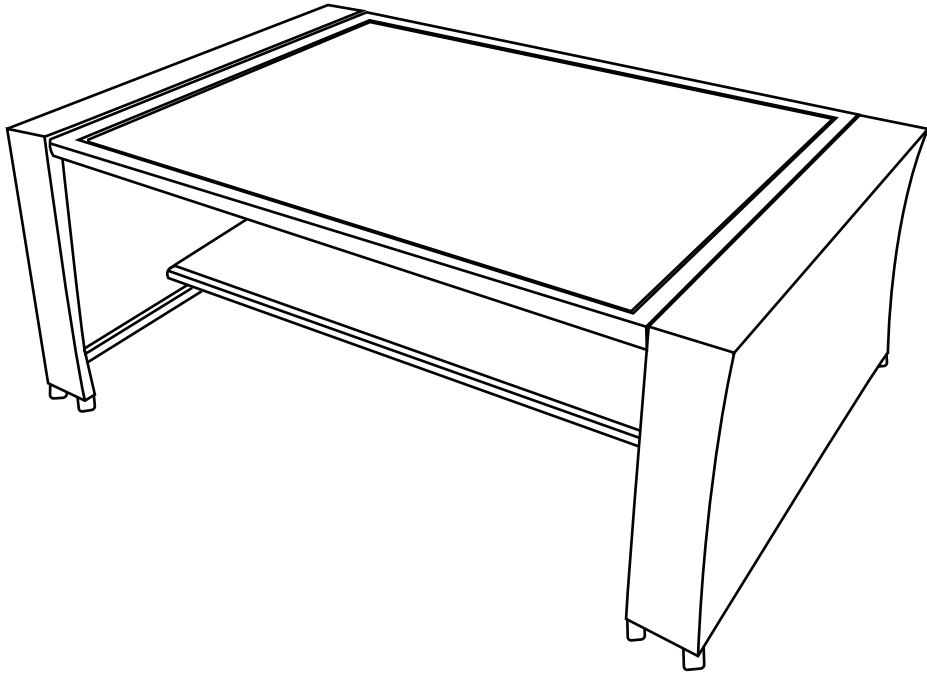
3

Finally, the coffee table will be placed squarely, the glass (part Q) will be placed on the suction cups, the product assembly is complete!

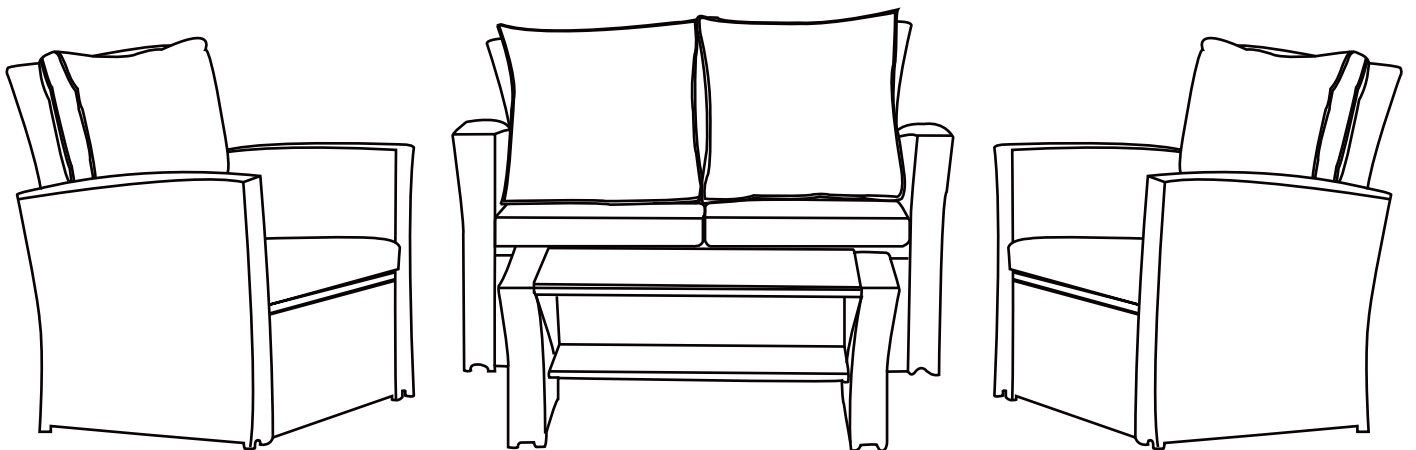


STEP

4



5



AFTER-SALE SERVICE

If you have any suggestions for our products or find that the products have quality problems, please contact us first, our after-sales team will reply you within 24 hours, and we will do our best to give you solutions until you are satisfied.