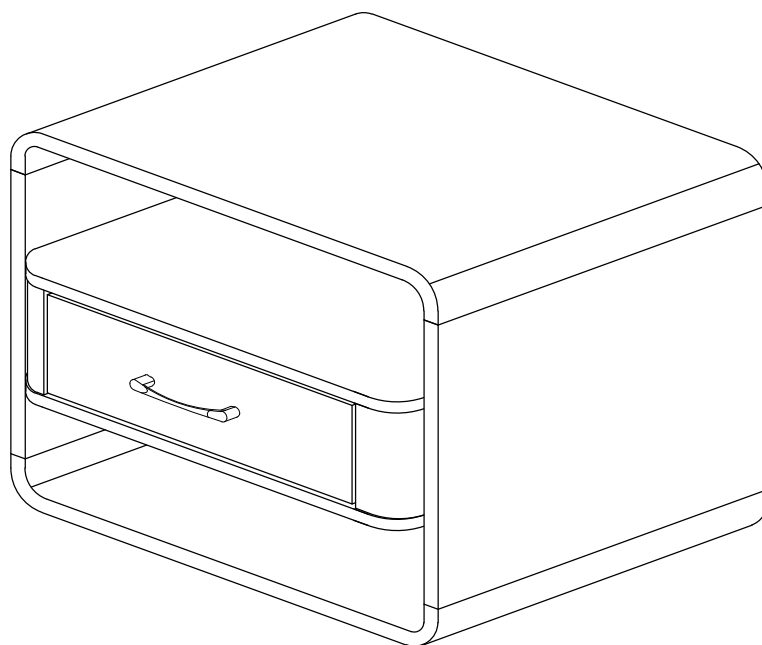


End Table

SKU WHIF2628



ASSEMBLY INSTRUCTIONS



60 min. assembly

2 person

*The estimated assembly time may vary depending on the individual.

Hey, there

Now is assembly time!

Deeeeep breathe.... and again....
Tools ready,
Easy peasy!

Estimated



60 min. assembly
2 person

Tools Required

- Allen Wrench(included)
- Phillips screwdriver(not included)
- Hammer(not included)

important: *Cautious when you use power tools*

Need Help?

Call us at +1 909 548 6688
Email customerservice@luxenhome.com
Submit a ticket on www.luxenhome.com/help

Thank you for purchasing this LuxenHome product. This product has been manufactured with the highest standards of safety and quality.

PLEASE READ ALL INSTRUCTIONS CAREFULLY BEFORE ASSEMBLY.

Unpack all parts from the packaging inside the carton to ensure there are no missing or damaged parts. Lay out all the parts on a clean, flat, and soft surface to prevent scratches. Refer to the steps provided as assembling guide.

Do not attempt to assemble or use the product if any parts are missing or damaged.

REMINDERS

SAFE USAGE IS KEY

Your well-being is our top priority when you use our product. Please prioritize your safety by diligently following the assembly guidelines and inspecting the product carefully both when it arrives and before each use.

Please be aware that LuxenHome and Winsome House, Inc. cannot be held liable for any injuries or fatalities that occur due to not adhering to the provided instructions or misuse of the product.

DO NOT MODIFY

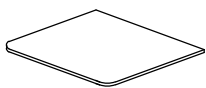
Our products undergo rigorous testing to ensure they meet established safety standards before being released for sale. Altering the product in any way can lead to serious safety concerns, for which LuxenHome cannot assume responsibility.

What's in the box

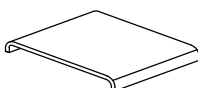
Parts



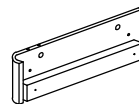
① X 1
Inner bottom
panel



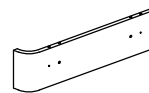
② X 1
Inner top
panel



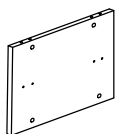
③ X 1
Outer top



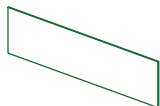
④ X 1
Inner side
panel - L



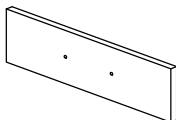
⑤ X 1
Inner side
panel - R



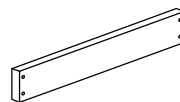
⑥ X 2
Out side - L/R



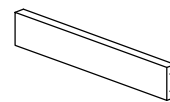
⑦ X 1
Back panel



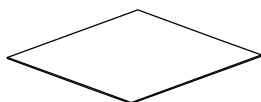
⑧ X 1
Drawer head



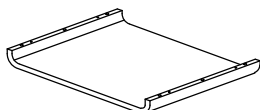
⑨ X 2
Drawer side - L/R



⑩ X 1
Drawer back



⑪ X 1
Drawer base



⑫ X 1
Outer bottom

What's in the box

Hardware & Accessory



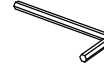
A1 X 8
Minifix cam



A2 X 8
Minifix bolt



A3 X 8
Minifix cap



A5 X 1
Allen key



B1 X 12 (+2)
Wood dowel
M8 x 25mm



B2 X 4
Wood dowel
M8 x 20mm



C1 X 14 (+2)
Cb screw
M4 x 38mm



C2 X 4
CB screw
M4 x 25mm



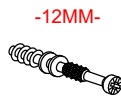
D1 X 12 (+2)
CB screw
M3.5 x 16mm



D2 X 4
CB screw
M3 x 12mm



E1 X 4
Minifix cam



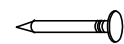
E2 X 4
Minifix bolt



E3 X 4
15mm
Sticker



F X 4
PVC nail
3/4



G X 20 (+3)
Nail 5/8



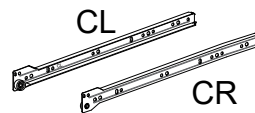
H X 8
Wood dowel
M6 x 30mm



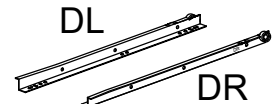
I X 1
Furniture
Glue 10g



J X 1
Tad 23-96
PVC handle

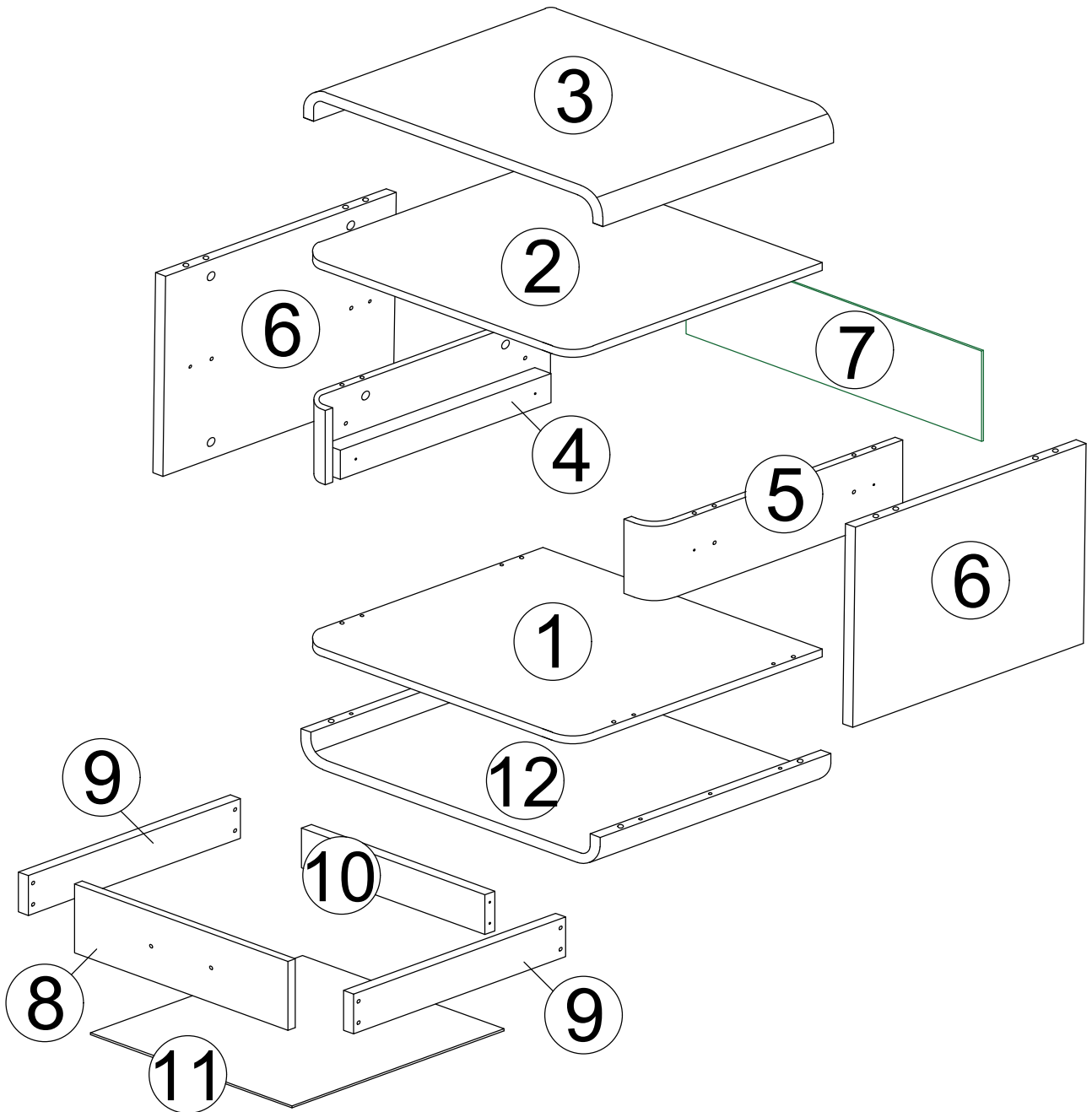


K1 X 1
Drawer slide 14"



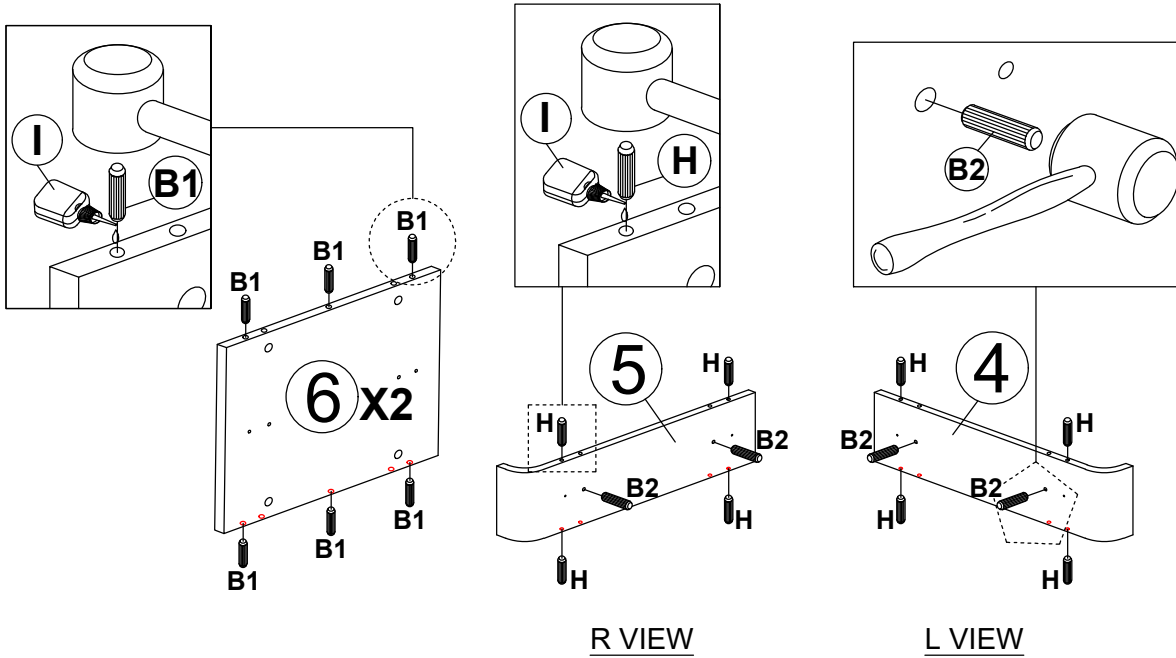
K2 X 1
Drawer slide 14"



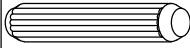

Assembly



Step 1

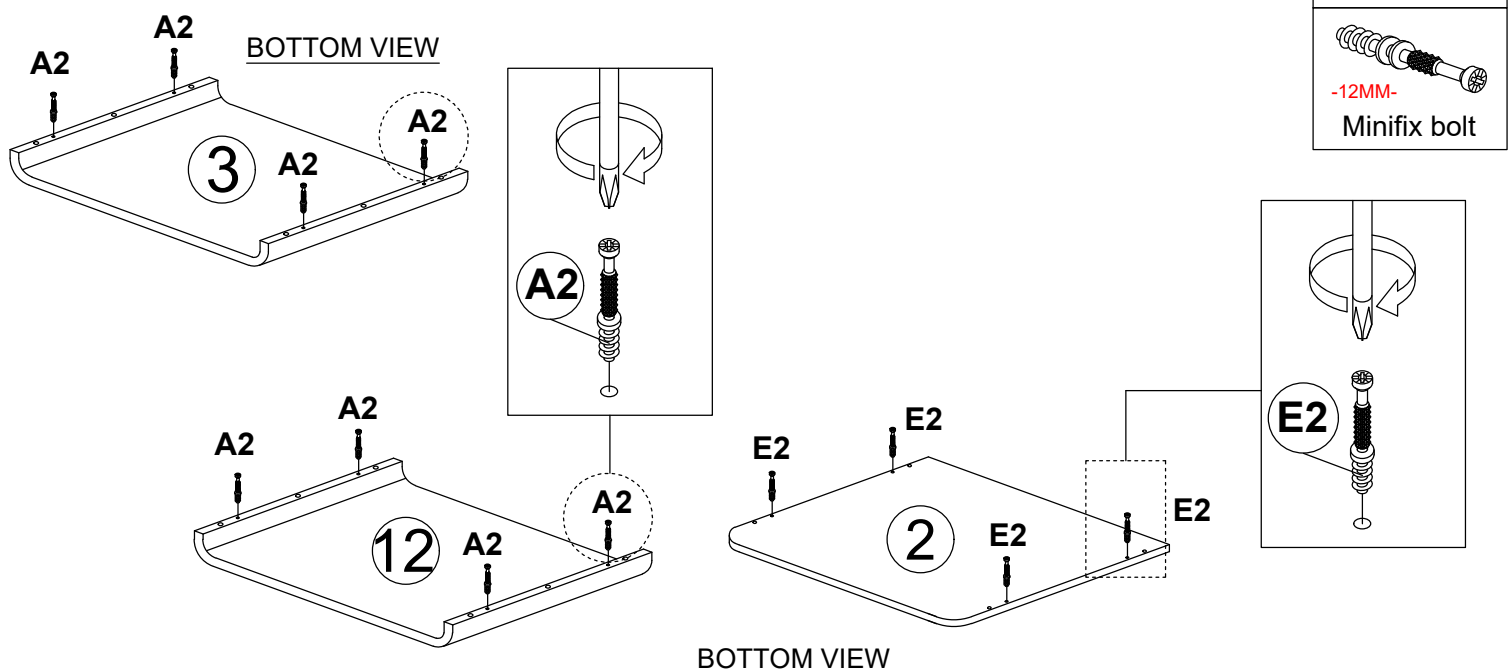
Insert hardware (B1) into panel (6), hardware (B2) into panel (4 & 5) and hardware (H) into panel (4 & 5) as shown. Then applied hardware (I) onto hole with hardware (B1 & H).





B1x12
 M8 x 25mm
B2x4
 M8 x 20mm
Hx8
 M6 x 30mm
Ix1


Step 2




Install and tighten hardware (A2) to panel (3 & 12), hardware (E2) to panel (2).

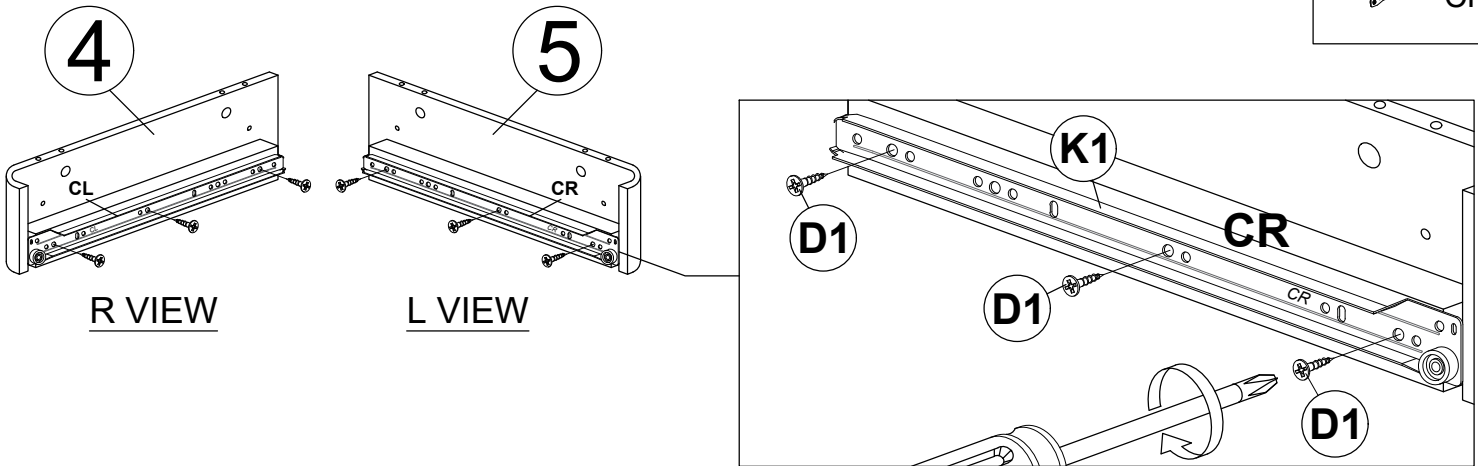


A2x8
 -15MM- Minifix bolt
E2x4
 -12MM- Minifix bolt

Step 3


Fix hardware (K1) onto panel (4 & 5) by using hardware (D1).

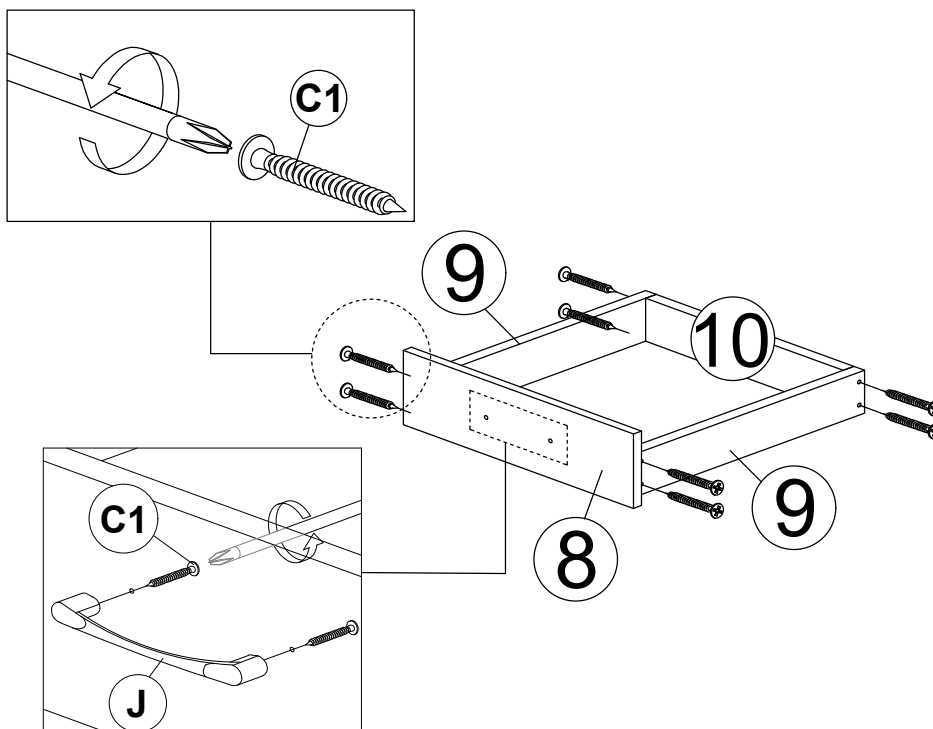
D1x6

M3.5 x 16mm
K1x1
CL 
CR 



Step 4

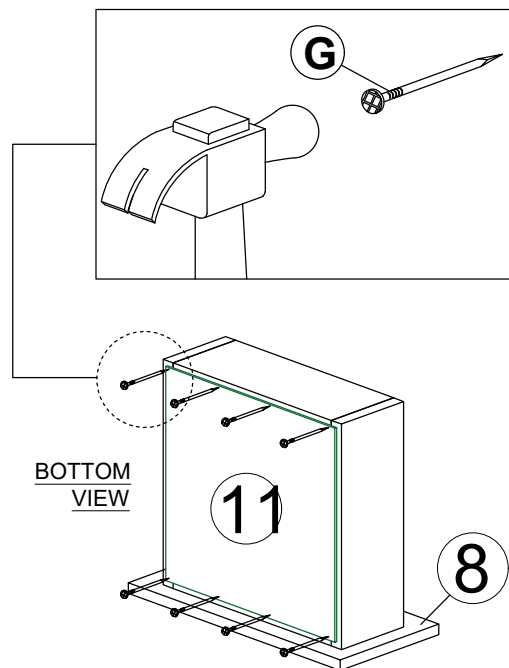
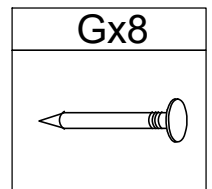
Connect the panel (9) to panel (8 & 10) by using hardware (C1).
Connect hardware (J) onto drawer head (8) by using hardware (C1) and tighten it.

C1x8

M4 x 38mm



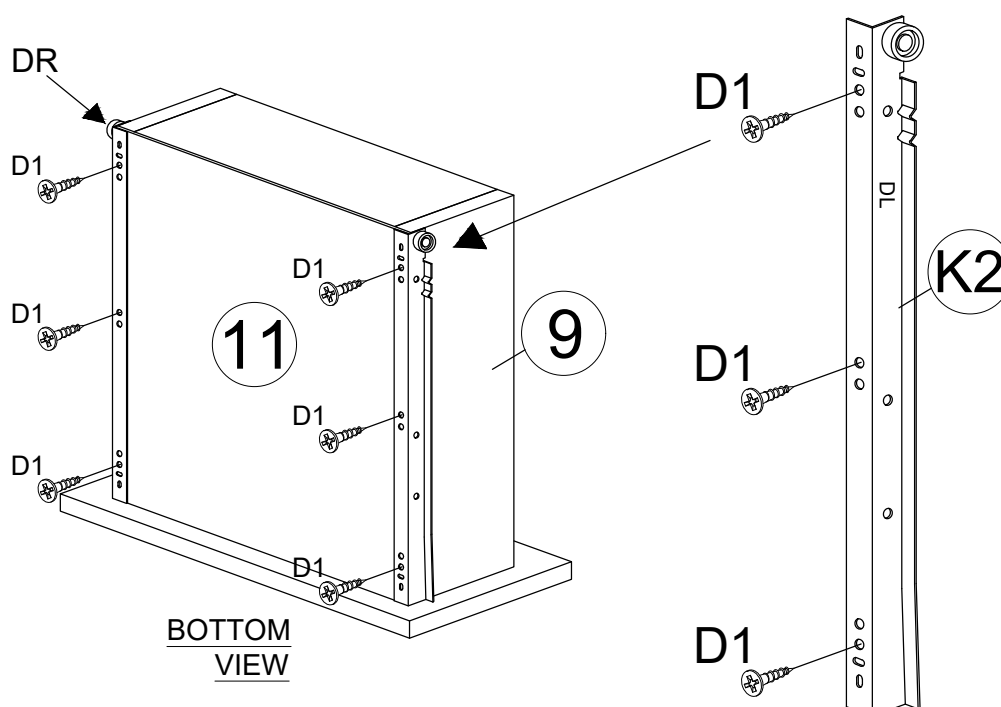
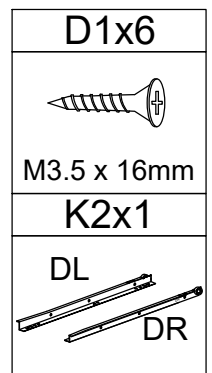
Step 5

Hit hardware (G) onto drawer base (11).




Step 6

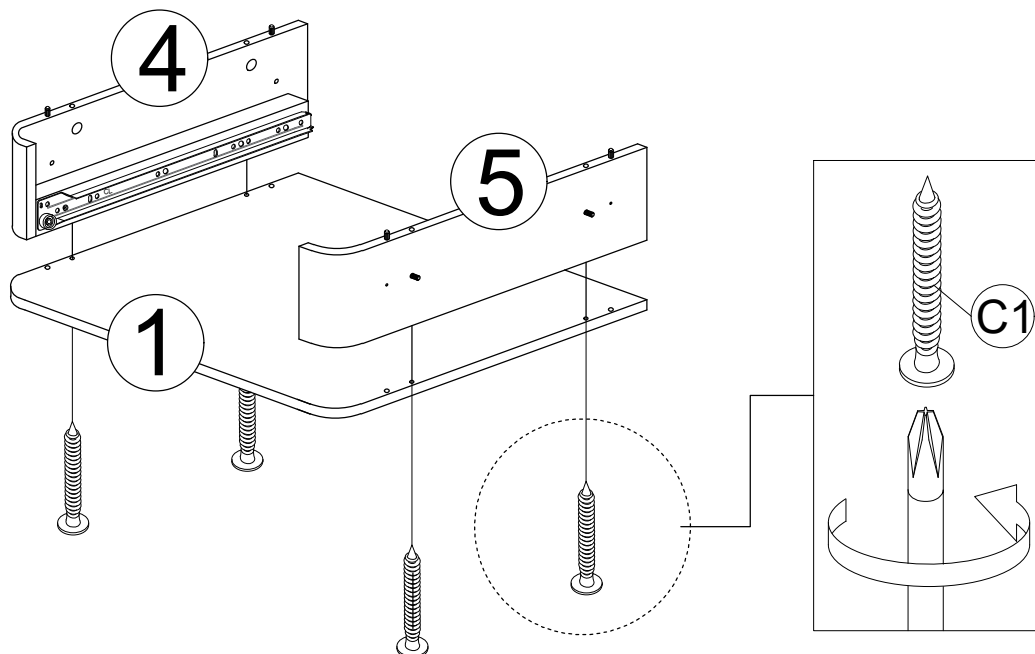
Screw in hardware (k2) onto bottom side drawer by using hardware (D1).



Step 7


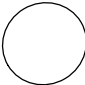
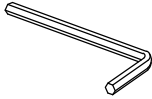
Connect the panel (1) to the panel (4 & 5) by using hardware (C1).

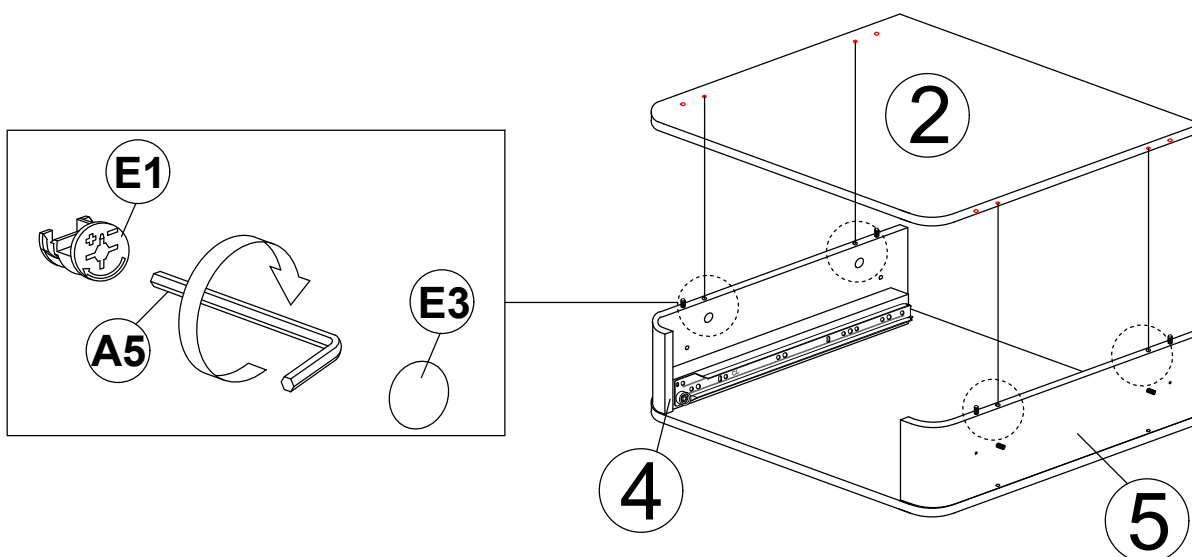
C1x4

M4 x 38mm



Step 8


Connect the panel (2) to the assemble section panel (4 & 5) by using hardware (A5 & E1). Then, applied (E3) to all (E1).

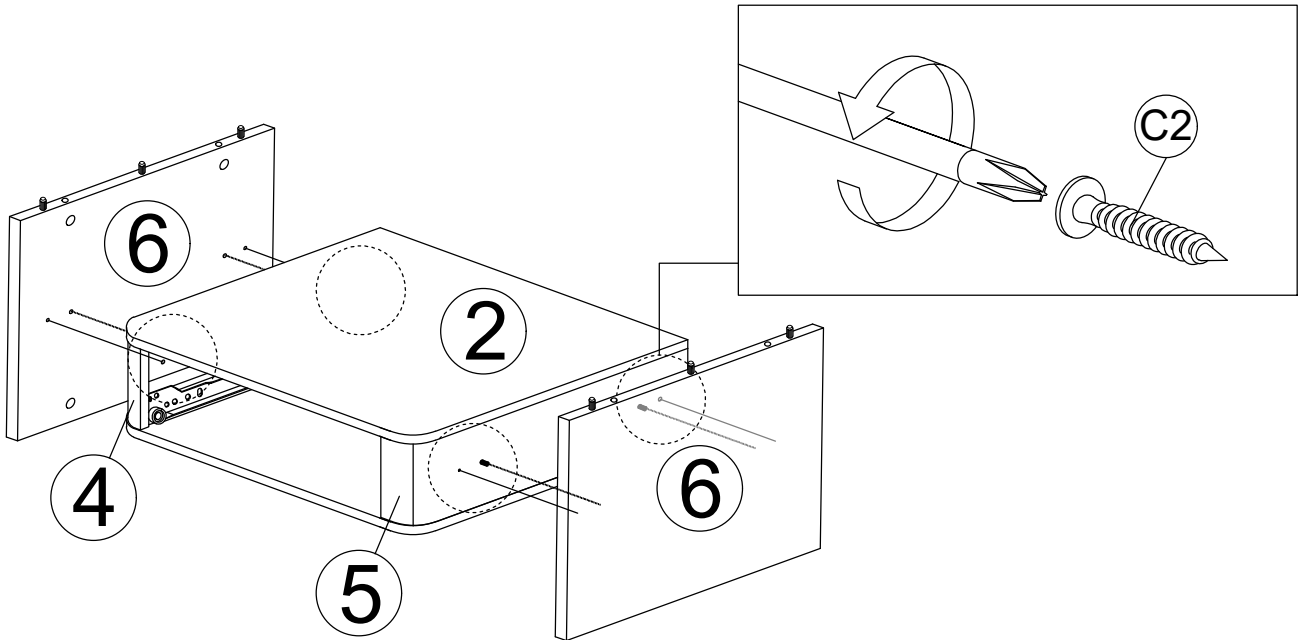
E2x4

E3x4

A5x1




Step 9

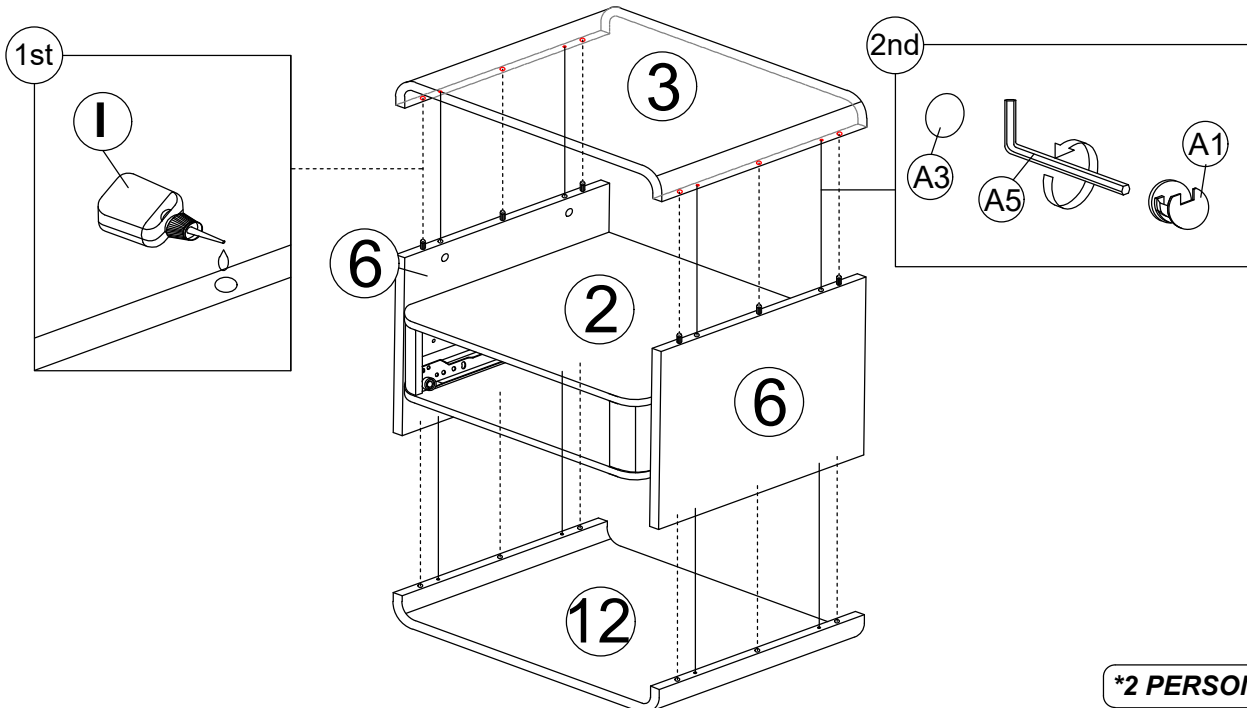
Connect the panel (6) to panel (4 & 5) by using hardware (C2).



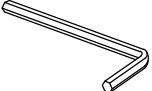

C2x4

M4 x 25mm



Step 10

Applied furniture glue (I) onto panel (3 & 12) wood dowel (B1) hole as shown with dotted lines. Connect the panel (3 & 12) to panel (6) by using hardware (A1 & A5). Then, applied (A3) to all (A1).

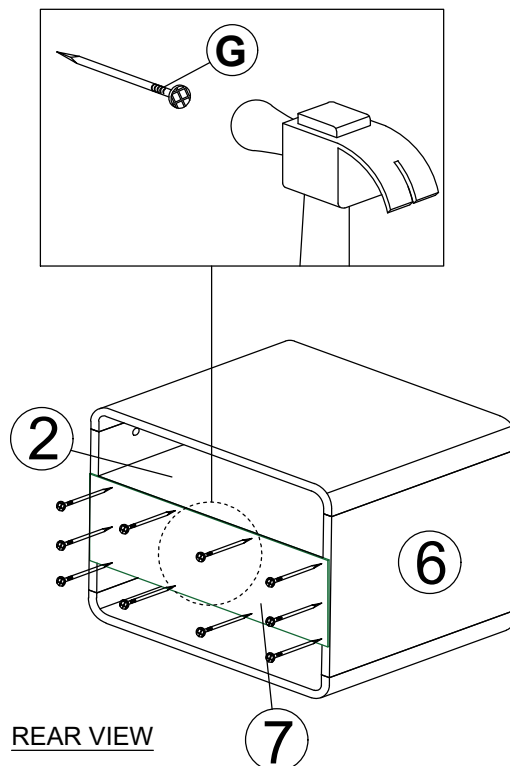
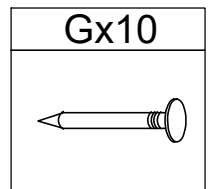


A2x4

A3x4

A5x1

Ix1


***2 PERSON REQUIRED**

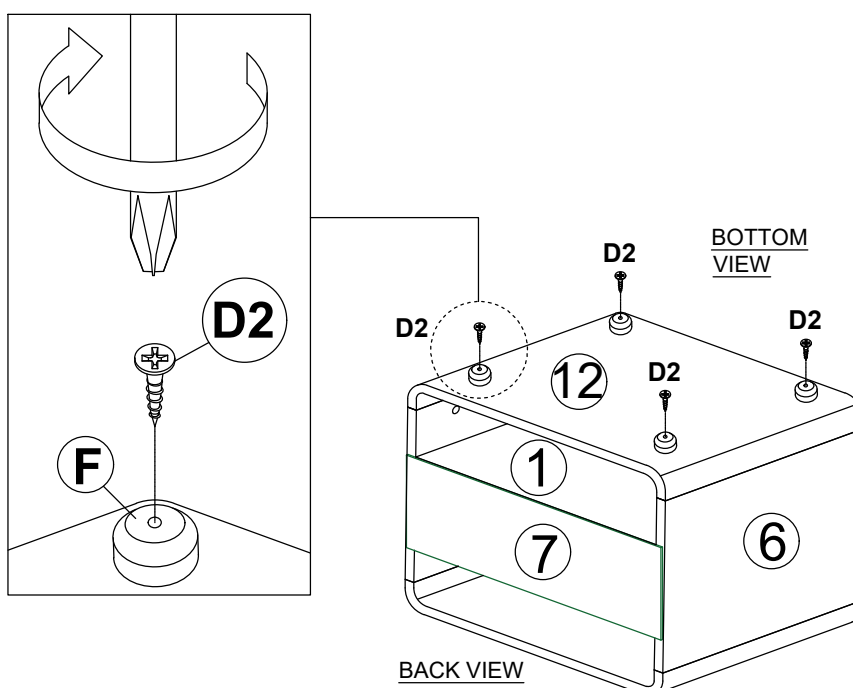
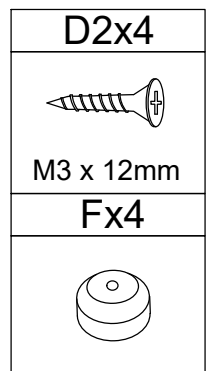
Step 11

Hit hardware (G) onto back panel (7).



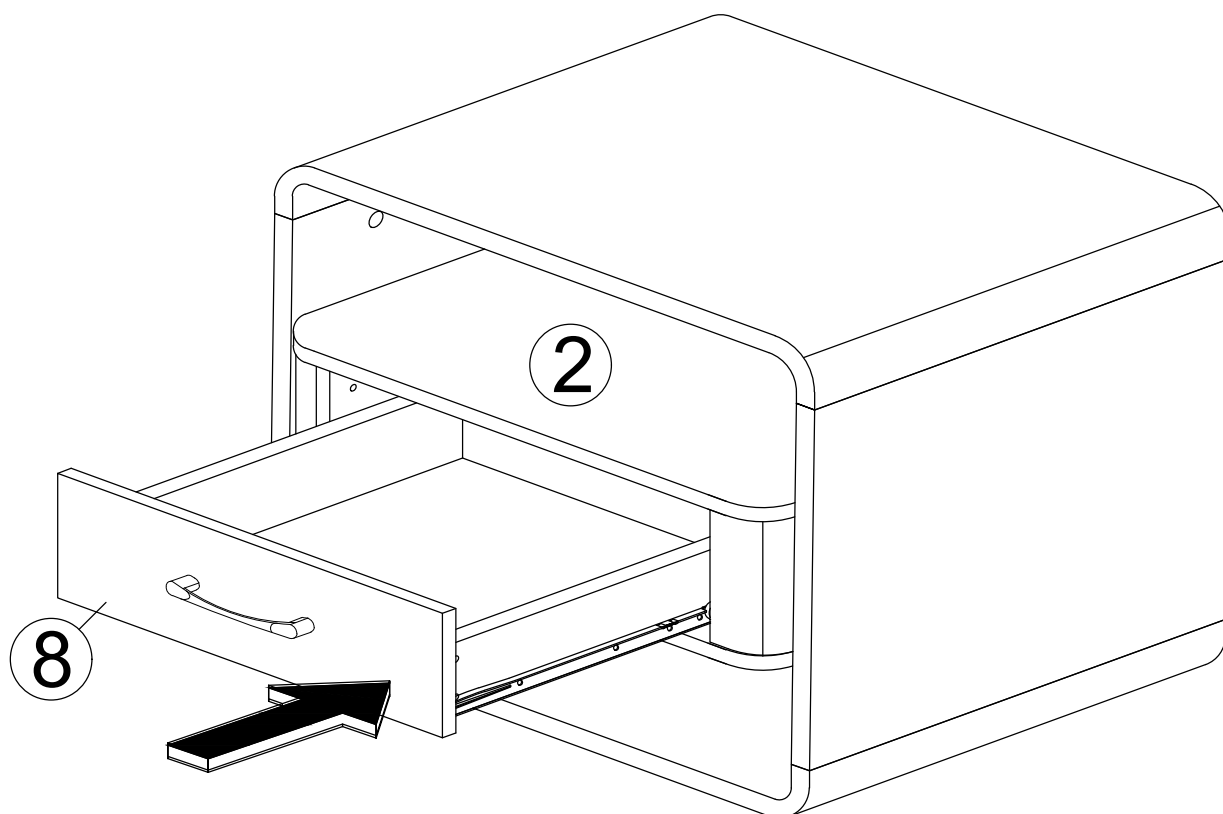
Step 12

Fix hardware (F) onto bottom side of panel (12) by using hardware (D2).

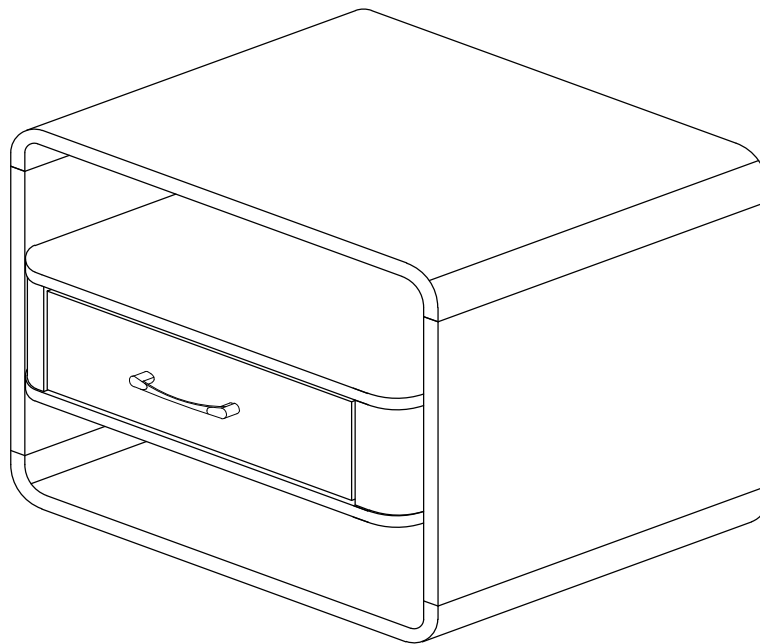


Step 13

Slide in drawer (8) to the assembled panel.



VOILA!
Now enjoy.



Warning

DO NOT stand or sit on the nightstand this may damage the product and cause serious bodily injury.

Something not right?

We are always here to help.

We make mistakes like every human does.

Though we always strive to provide the best possible products at competitive prices and the best service in the industry, it's not possible to completely eliminate mistakes. If you experience any dissatisfaction, feel free to contact us immediately. Our in-house customer care team will respond ASAP.



customerservice@luxenhome.com
Get response within 24 hrs



909.548.6688
Mon-Fri 9am-5pm PST/PDT



www.luxenhome.com/help
Submit a ticket on our website

Things to do to expedite the process

- Have your order# ready
- Take photos/videos to help us better identify the issues
- DO NOT throw away the packaging

Happy with our product?

Leave us a review

It really help us as a small business

- Find the product you purchased on our website (tip: search by SKU) and leave us a review.
- Alternatively, you can always return to the marketplace where you purchased it and leave a review there.

Share with others

Our customers look for REAL stuff



- Follow us on IG @luxen.home
- Share your #liveluxen moments



**Please save this manual
for future reference.**