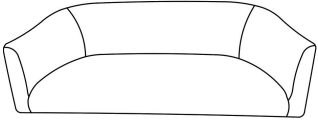



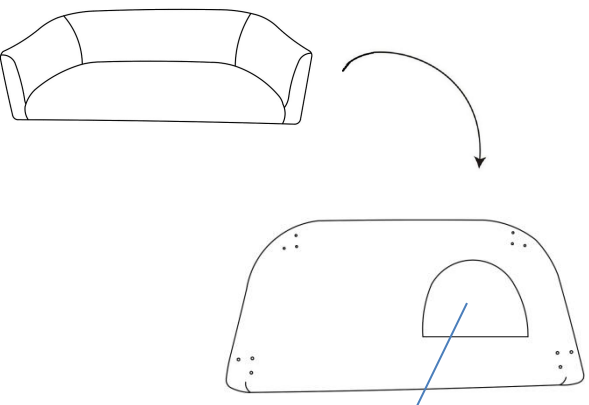


# ASSEMBLY INSTRUCTION

<<Before assembling,read all the instruction>>

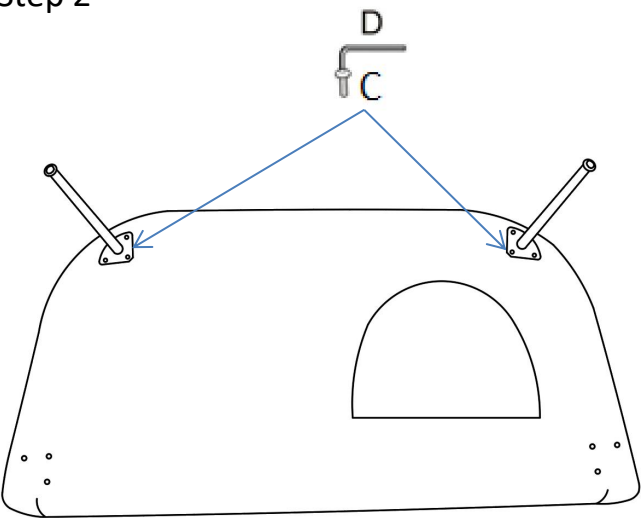
 <p>1PCS A</p>	 <p>4PCS B</p>	 <p>12PCS C</p>	 <p>M6 1PCS D</p>
--	---	--	--

Step 1

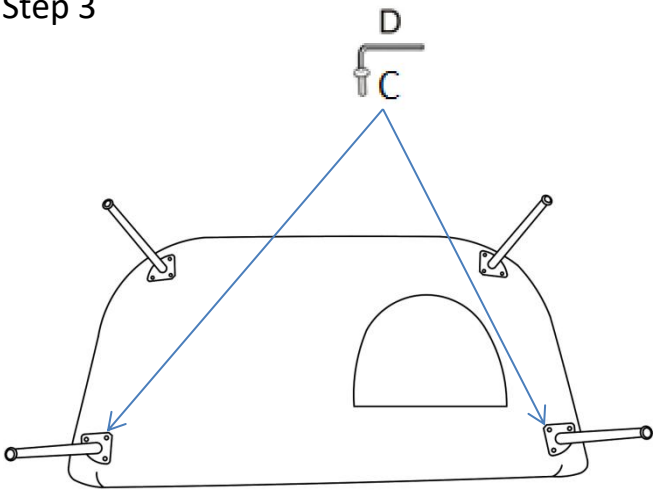


The legs are under the cushion

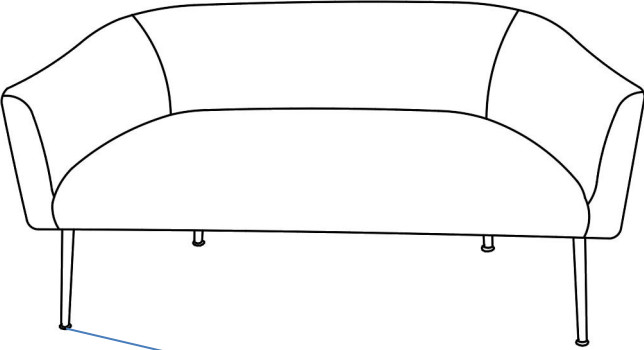
Step 2



Step 3



Step 4



The leg nail can adjust the height