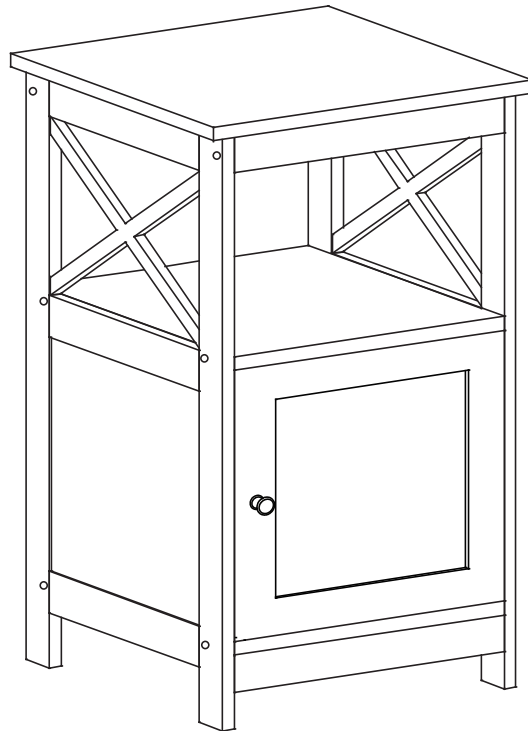


End Table With Cabinet



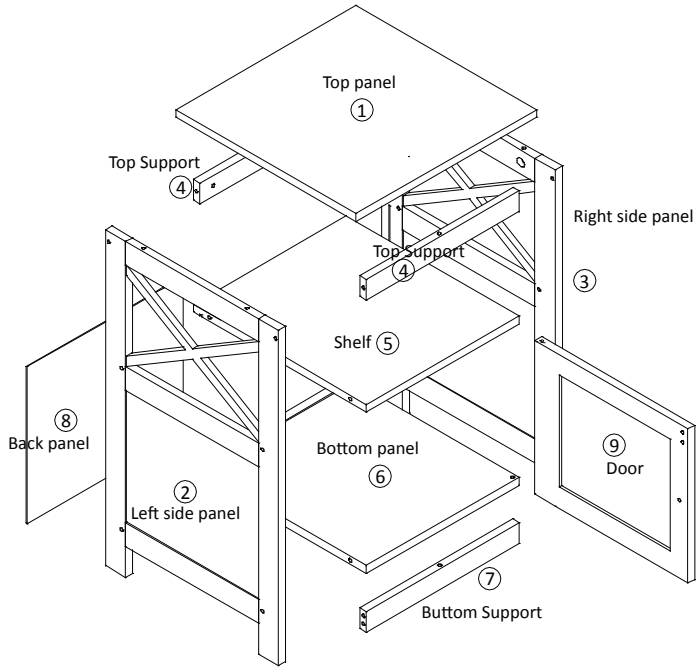
Assembly Instructions

We have designed our furniture with you, the customer in mind. Our clear, easy to follow step by step instructions will guide you through the project from start to finish.

Feel confident that this will be a fun and rewarding project. The final product will be a quality piece of furniture that will go together smoothly and give years of enjoyment.

Please do not return to the store

Parts



Items not provided.

Assembling the unit with cams and wood dowels.

Phillips Head Screw Driver	Optional	Gently screw cam bolt into the threaded anchor.	Lightly glue one end of the wood dowel and tap halfway into hole.	Lightly glue wood dowel and connect to second panel by inserting dowels into holes.	Gently tighten camlock.

Hardware

A x7	B x7	C x12	D x12	E x4	F x2	G x1
Cam Bolt	Cam Lock	Bolt	Lock nut	Wood Dowel	Screw	Door Magnet
H x2	I x2	J x1	K x1	L x1	M x12	
Door Hinge	Small Screw	Door Plate	Knob Screw	Door Knob	Stickers	

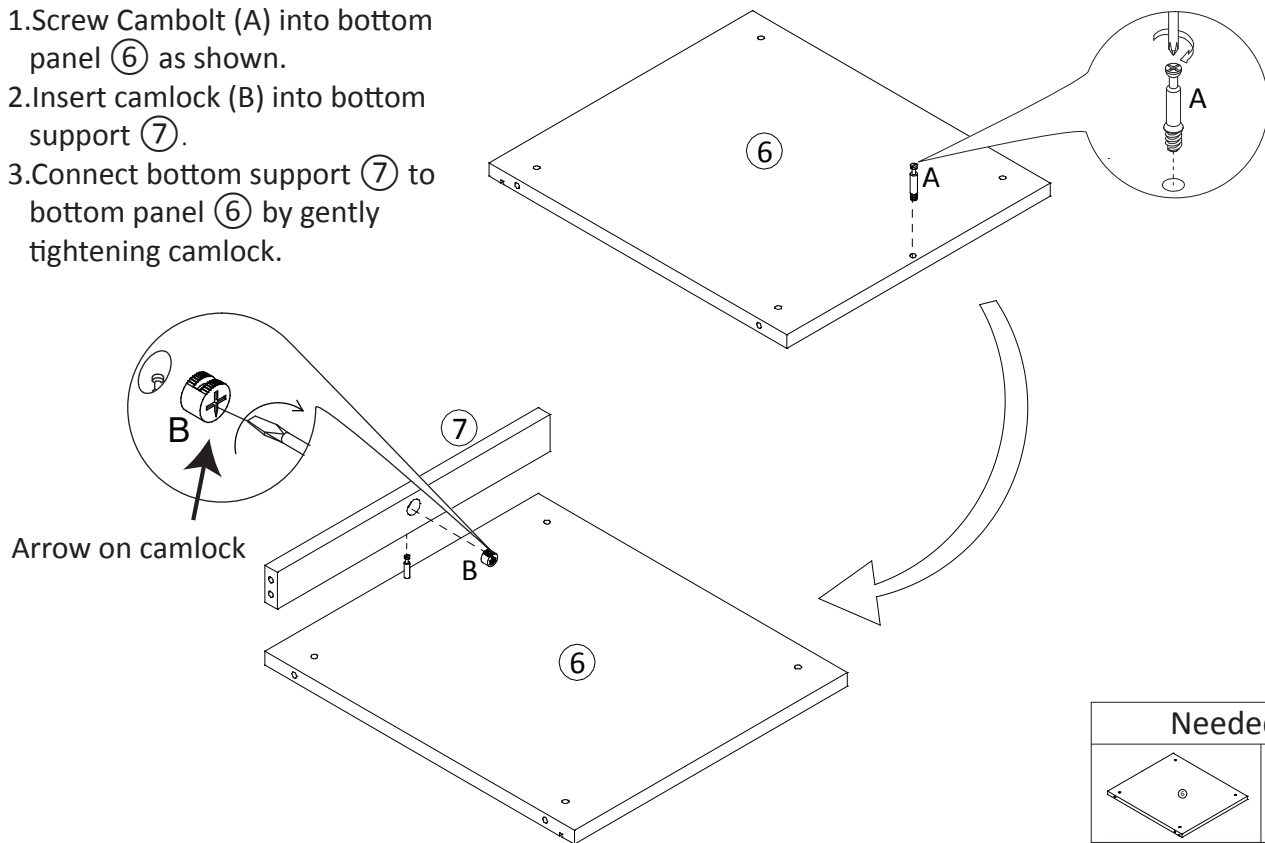


Please do not use any power tools in the assembly of this item. Use of power tools may cause damage and void manufacture warranty.

Assembly Instructions

Step 1

1. Screw Cambolt (A) into bottom panel (6) as shown.
2. Insert camlock (B) into bottom support (7).
3. Connect bottom support (7) to bottom panel (6) by gently tightening camlock.

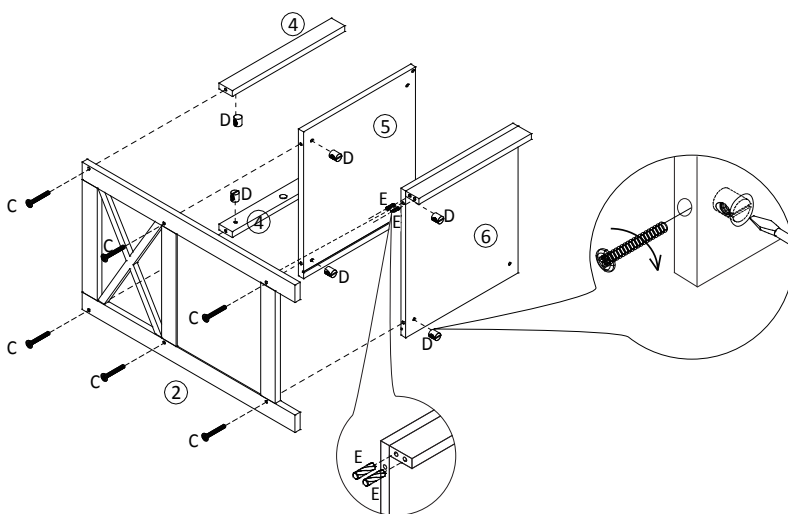


Needed Parts

	 A X 1
	 B X 1

Step 2

1. Insert wood dowels (E) into bottom support (7) as shown.
2. Insert lock nuts (D) into top support (4), shelf (5), and bottom panel (6) as shown.
3. Connect left side panel (2) to top supports (4), shelf (5), and bottom panel (6), make sure that grooves on shelf (5) and bottom panel (6) face each other.

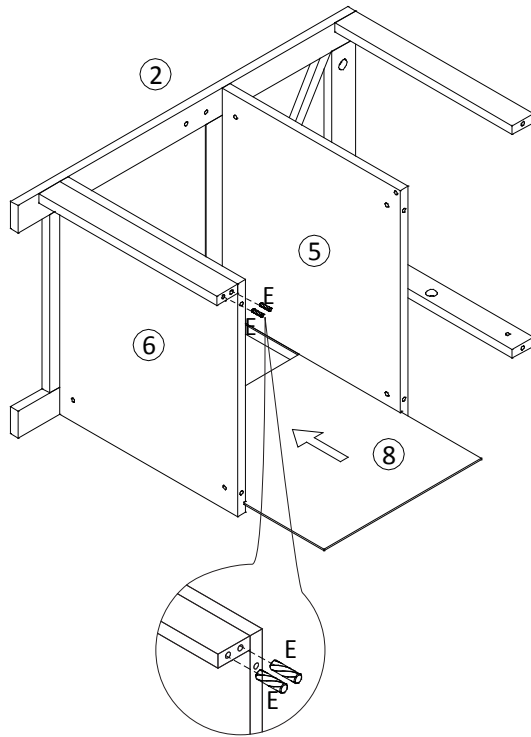


Needed Parts

		 C X 6
		 D X 6
		 E X 2

Step 3

1. Slide back panel ⑧ into grooves of shelf ⑤ and bottom panel ⑥.
2. Insert wood dowels (E) into bottom support ⑦.

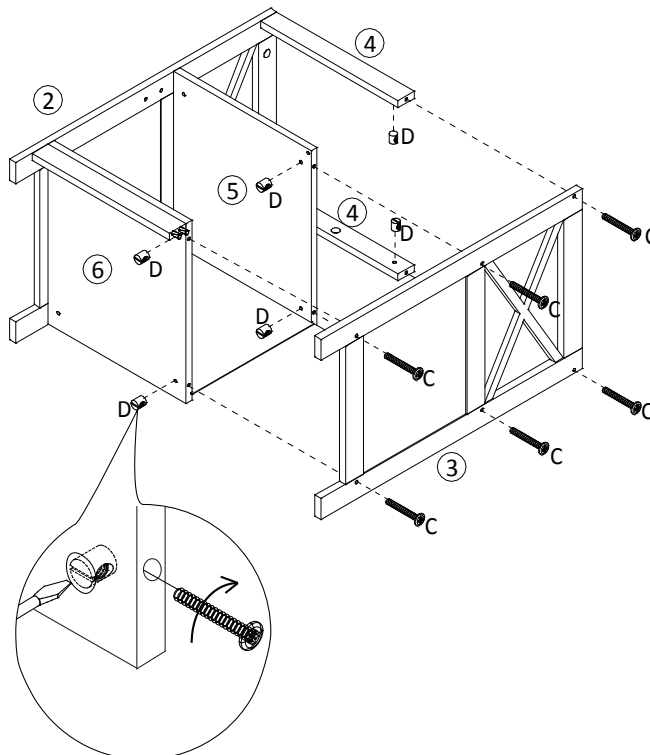


Needed Parts



Step 4

1. Connect right side panel ③ to assembly using same methods as in step 2.



Needed Parts

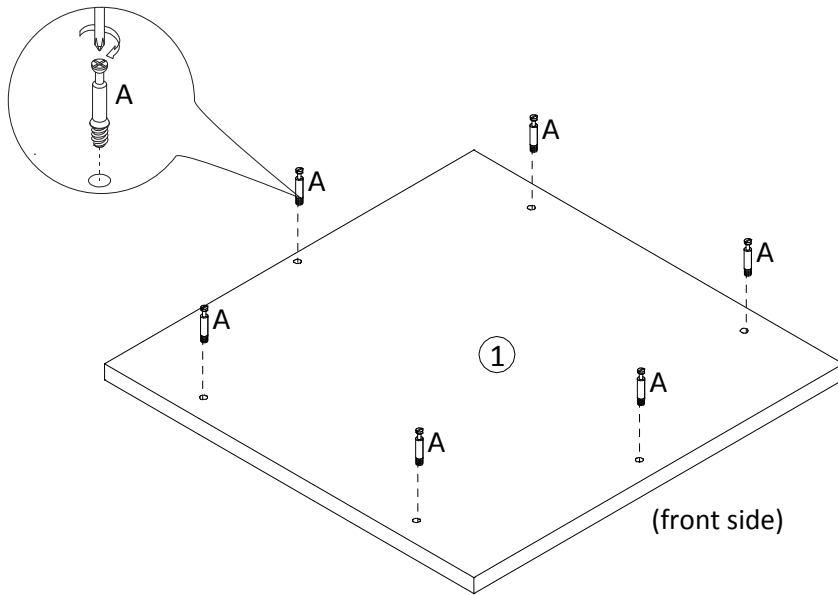


③

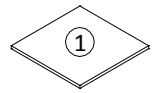


Step 5

1. Screw cambolts (A) into top panel ①.

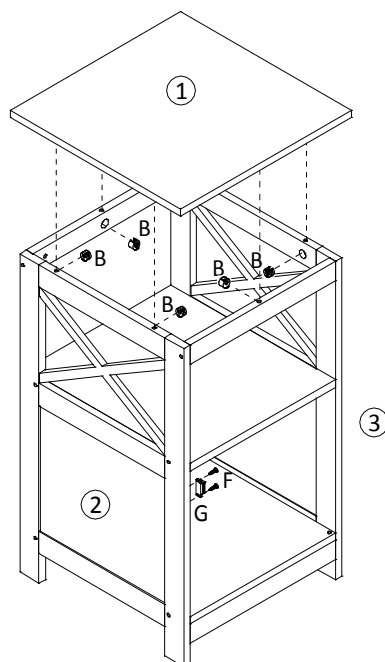


Needed Parts

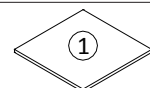


Step 6

1. Insert camlocks (B) into assembly as shown.
2. Attach top panel ① to assembly by gently tightening camlocks.
3. Attach door magnet (G) to left side panel using screws (F).

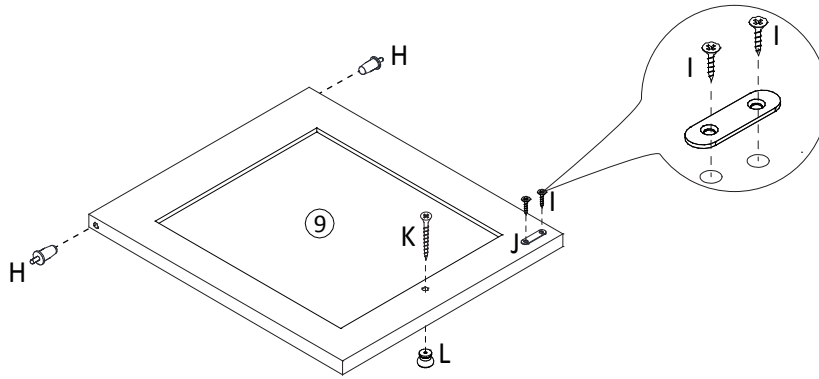


Needed Parts



Step 7

1. Insert door hinges (H) into unit making sure hinges are positioned as pictured.
2. Attach door plate (J) to door (9) using small screw (I).
3. Attach door knob (L) to door (9) using knob screw (K).



Needed Parts



H X 2



I X 2



J X 1



K X 1

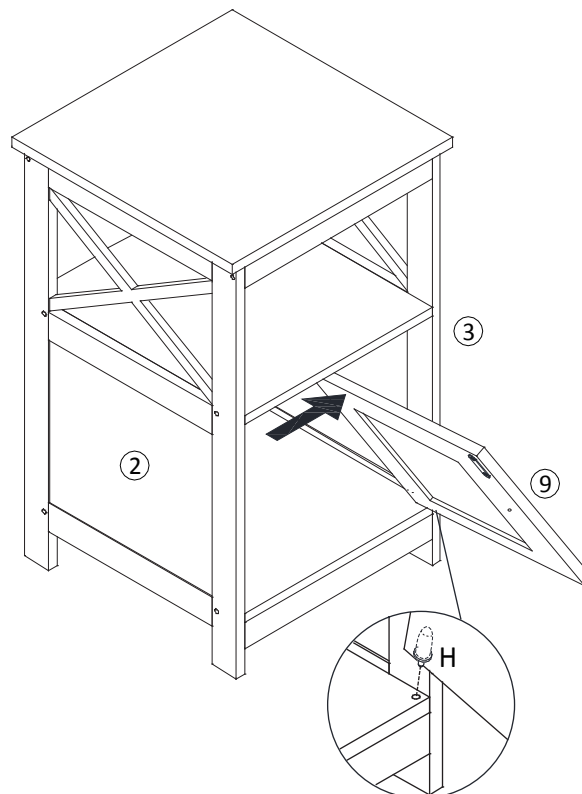


L X 1



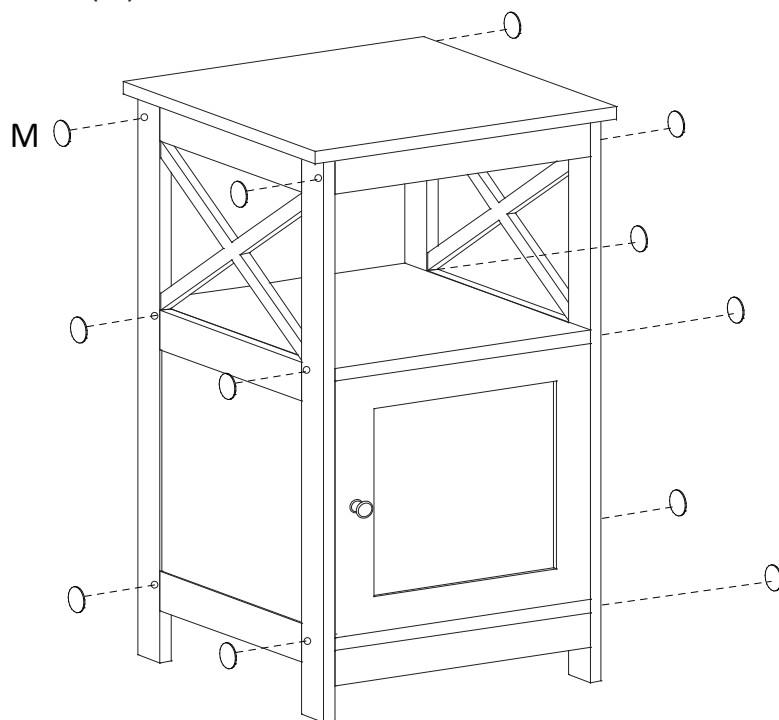
Step 8

1. Attach door to unit by using a slight angle. First insert bottom hinge and then press down on top hinge and slide door until top hinge pops into place.



Step 9

1. Cover bolts with stickers (M) if desired.



Needed Parts

○ M X 12

Congratulations,
You have just completed the Oxford End Table with Cabinet.
Enjoy.

