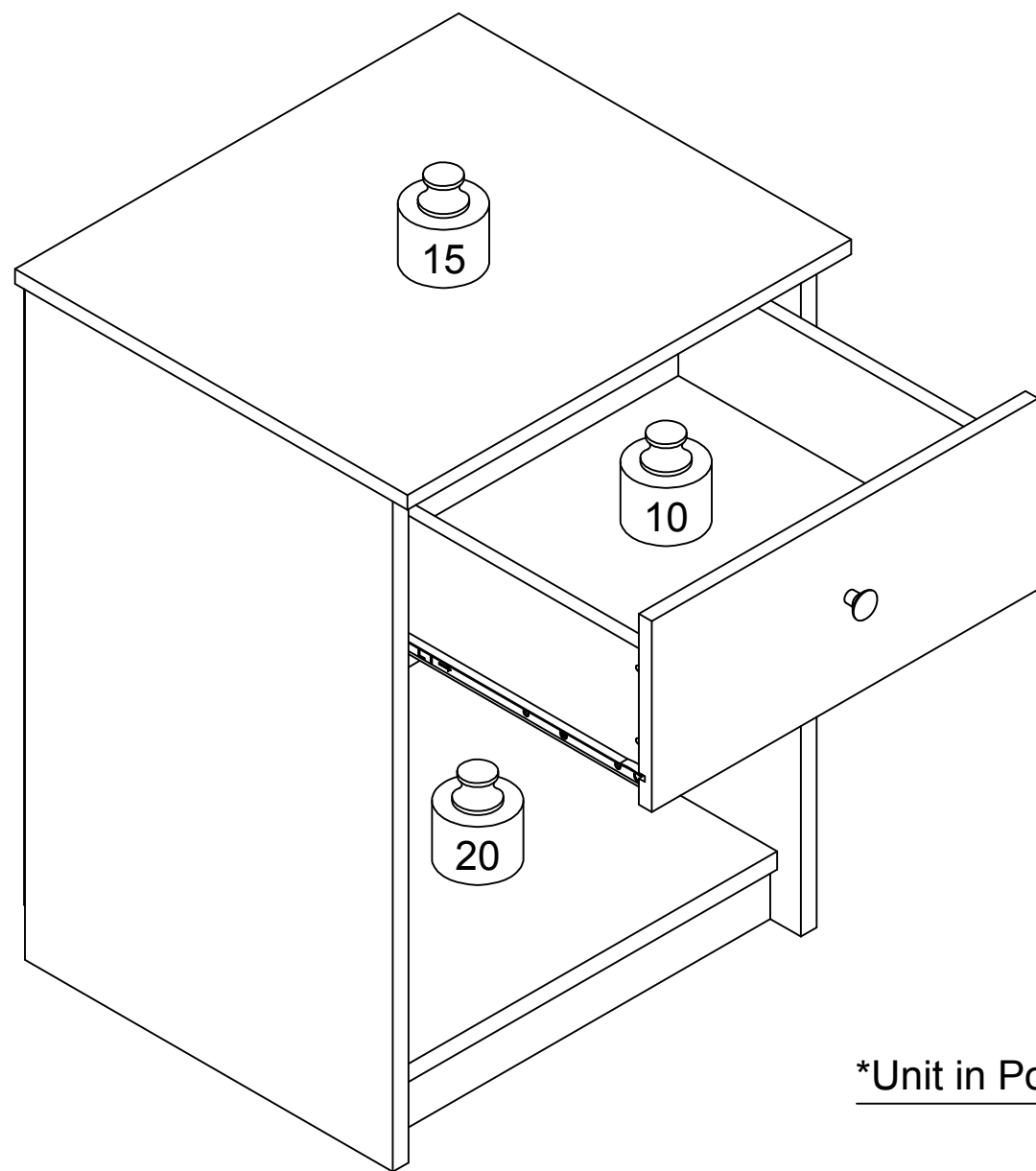


## Recommended Maximum Weight



\*Unit in Pound(lbs.)

### **WARNING:**

>This unit has been designed to support the maximum loads shown. Exceeding these load limits could cause sagging, instability, product collapse, and/or serious injury.

>DO NOT allow children to climb on unit.

> Put heavier items on lower shelves.



## **Assembly Instruction**

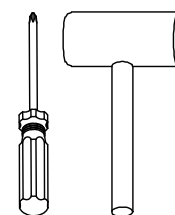
Nightstand With One Drawer

01:00

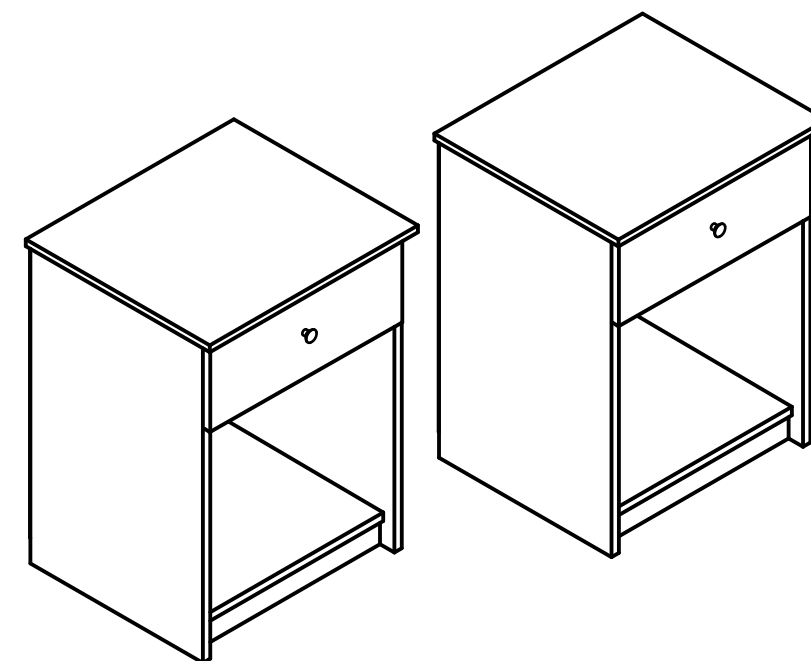
Approx. 1 Hour



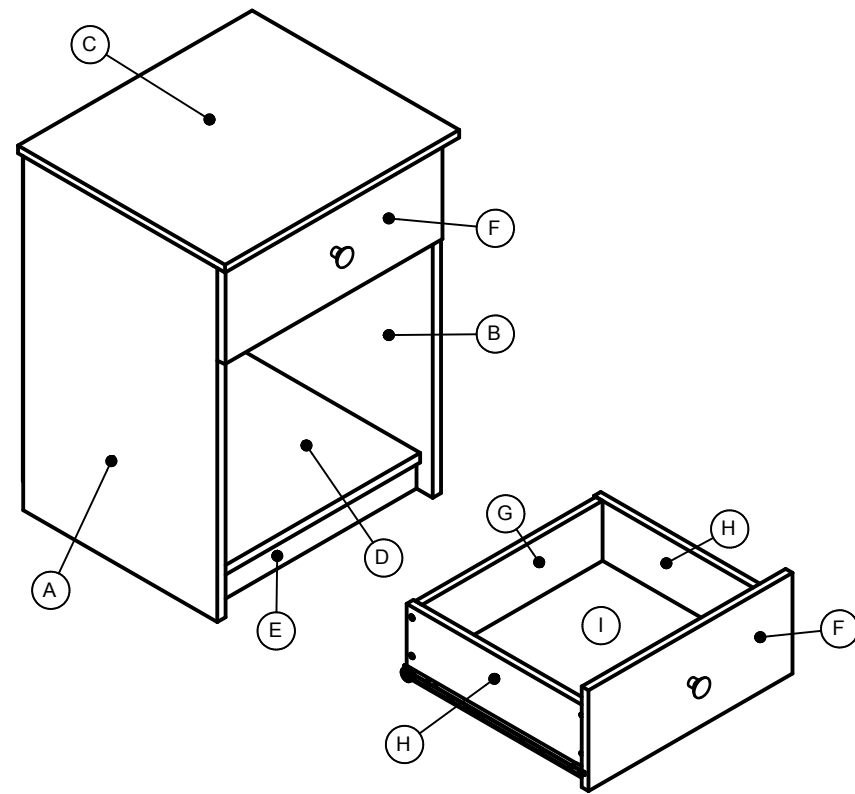
Recomm. 1 Person



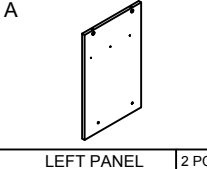
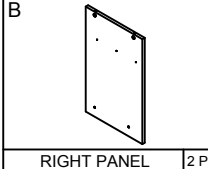
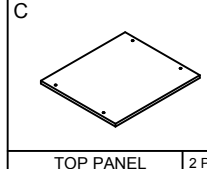
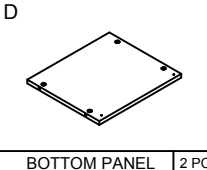
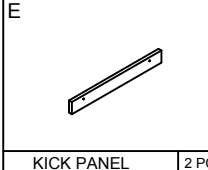
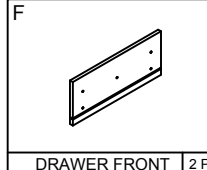
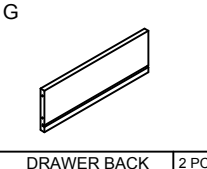
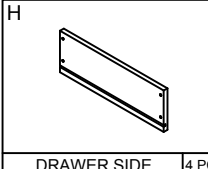
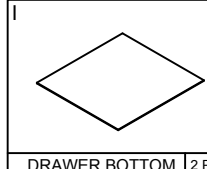
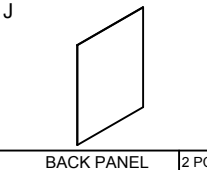
Tool Required



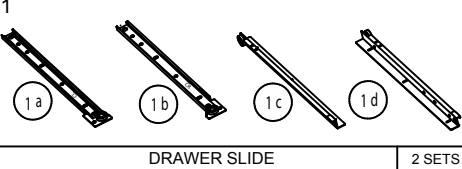
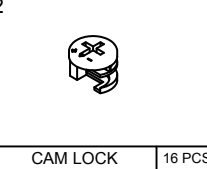
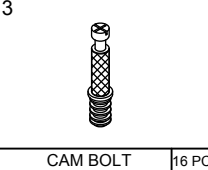
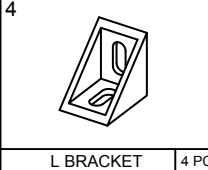


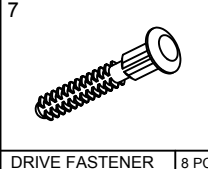
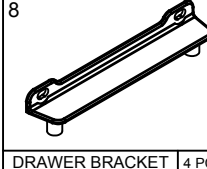
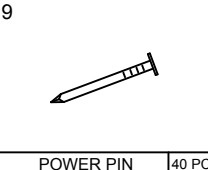
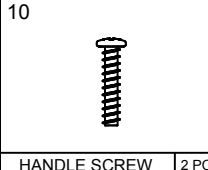
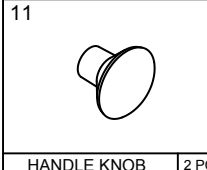
## EXPLODED VIEW



## PARTS LIST

 LEFT PANEL   2 PCS	 RIGHT PANEL   2 PCS	 TOP PANEL   2 PCS
 BOTTOM PANEL   2 PCS	 KICK PANEL   2 PCS	 DRAWER FRONT   2 PCS
 DRAWER BACK   2 PCS	 DRAWER SIDE   4 PCS	 DRAWER BOTTOM   2 PCS
 BACK PANEL   2 PCS		

## HARDWARE LIST

 DRAWER SLIDE   2 SETS	 CAM LOCK   16 PCS
 CAM BOLT   16 PCS	 L BRACKET   4 PCS
 PAN HEAD SCREW   24 PCS	 FLAT HEAD SCREW   24 PCS
 DRIVE FASTENER   8 PCS	 DRAWER BRACKET   4 PCS
 POWER PIN   40 PCS	 HANDLE SCREW   2 PCS
 HANDLE KNOB   2 PCS	

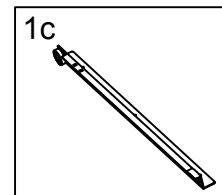
\*All the part quantity are for two sets.

\*All the hardware quantity are for two sets.

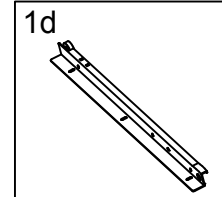
## USEFUL HINTS BEFORE YOU START:

1. Read each step carefully before starting.
2. It is important that each step is performed in correct order to avoid difficulties.
3. Identify, soft and count the parts before assembly.
4. Assemble your furniture on packaging cardboard to prevent scratch or damage.
5. Clean the product with mild cleanser using soft damped cloth. Do not use harsh or abrasive cleanser.
6. Using incompatible hardware might cause damage to product.

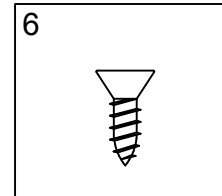
## STEP 9



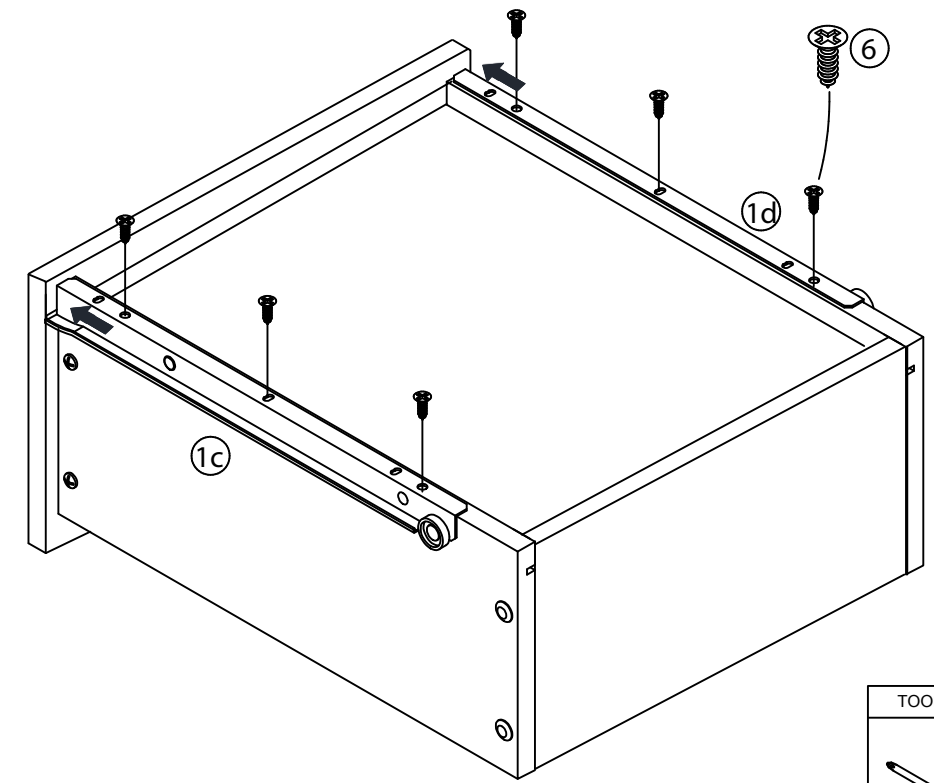
DRAWER SLIDE | 1 PC



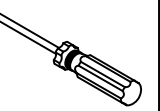
DRAWER SLIDE | 1 PC



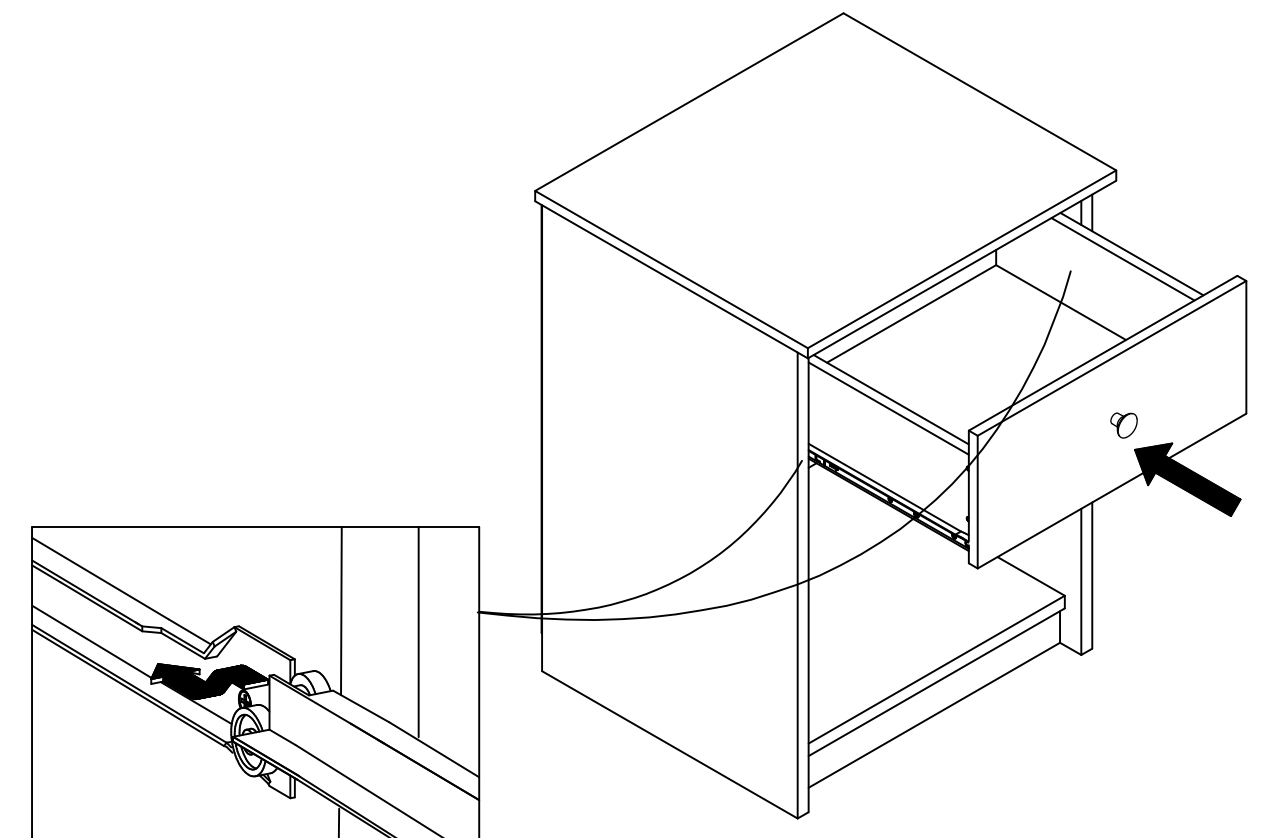
FLAT HEAD SCREW | 6 PCS



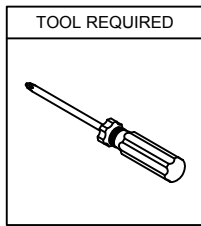
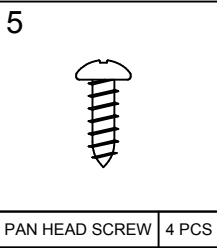
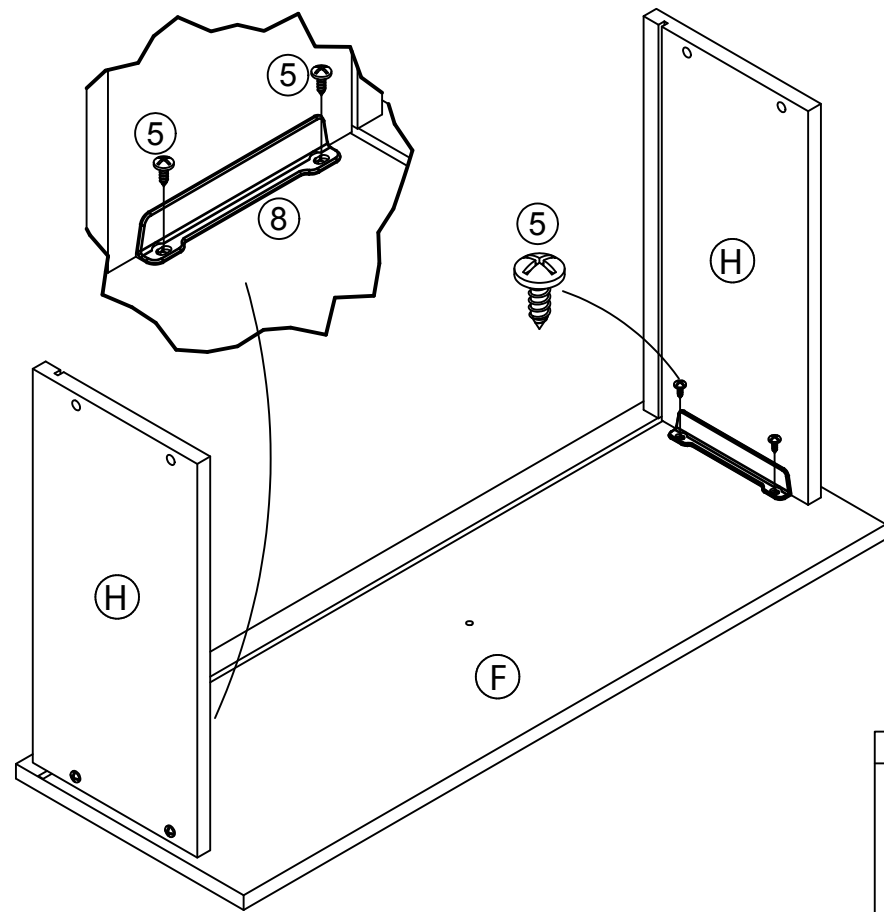
TOOL REQUIRED



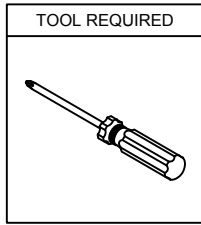
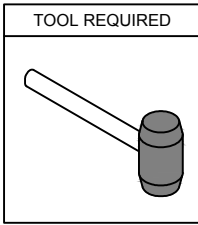
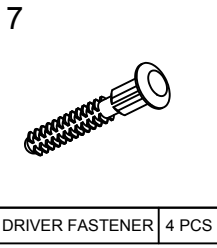
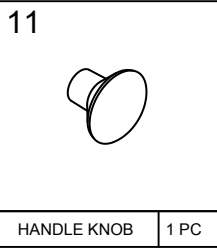
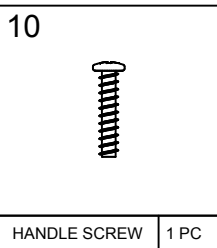
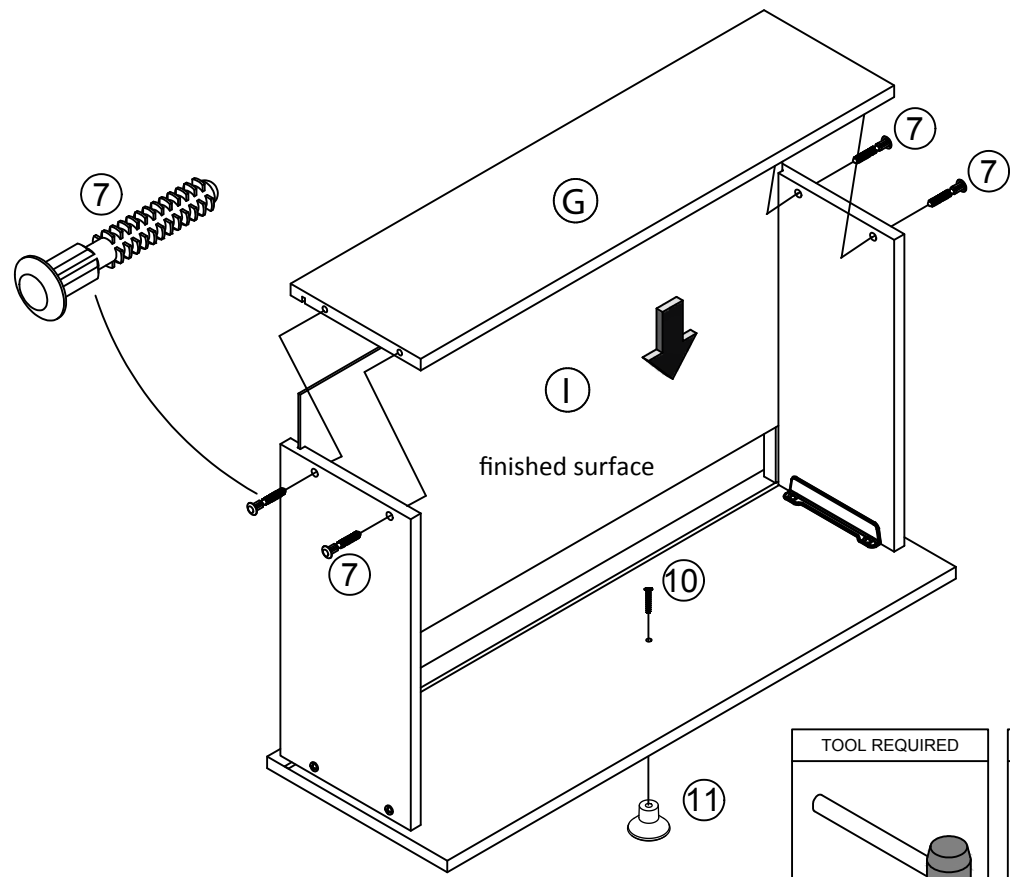
## STEP 10



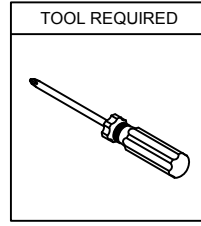
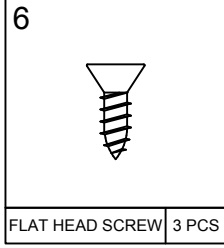
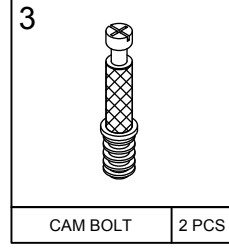
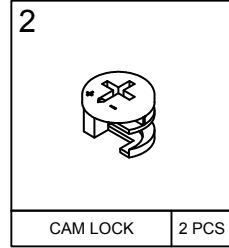
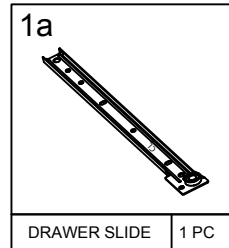
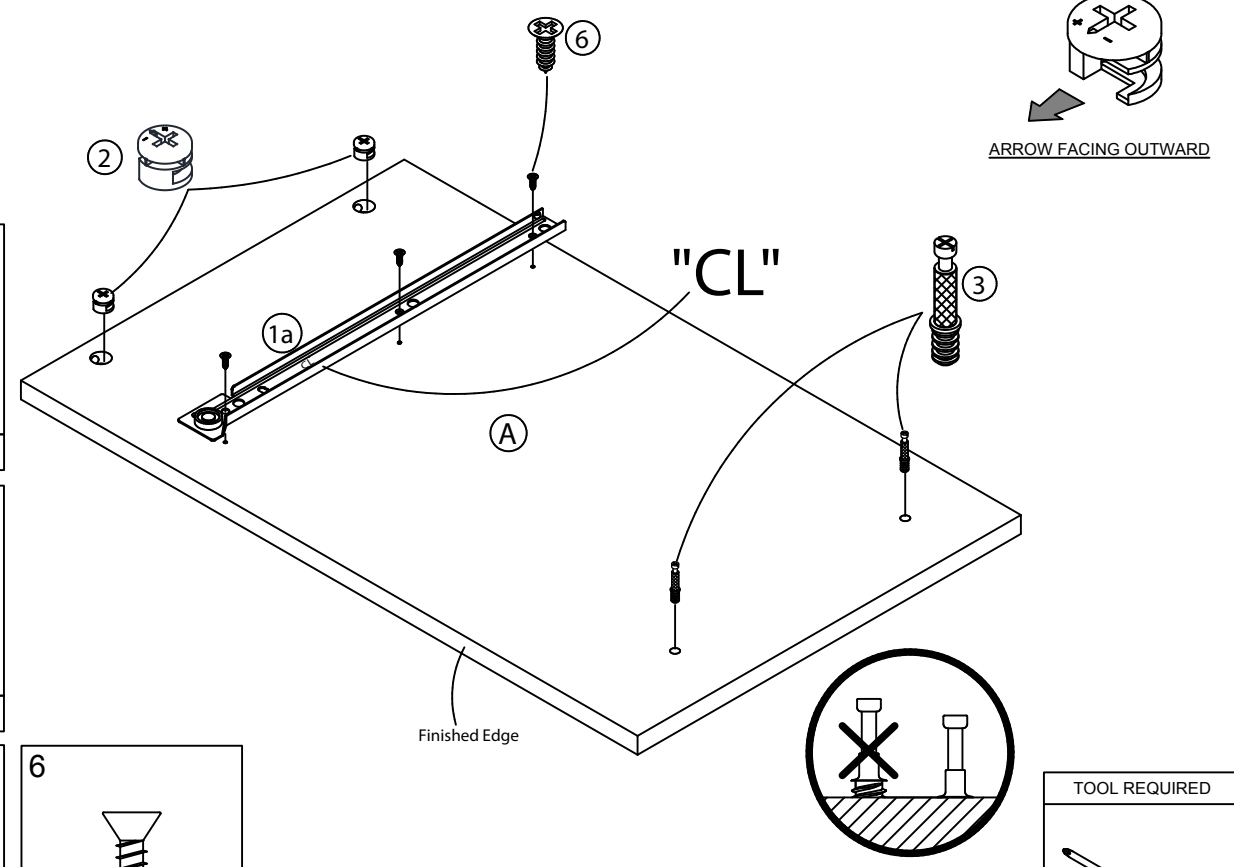
# STEP 7



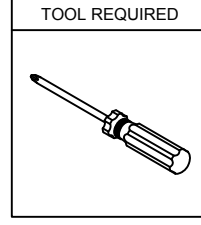
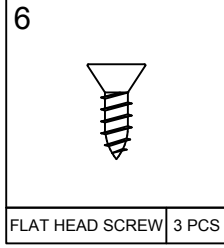
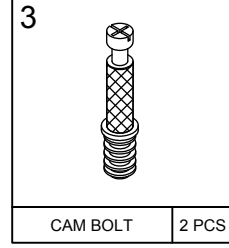
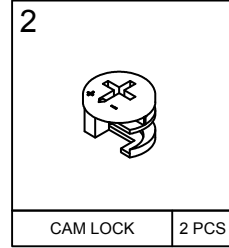
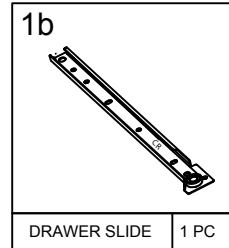
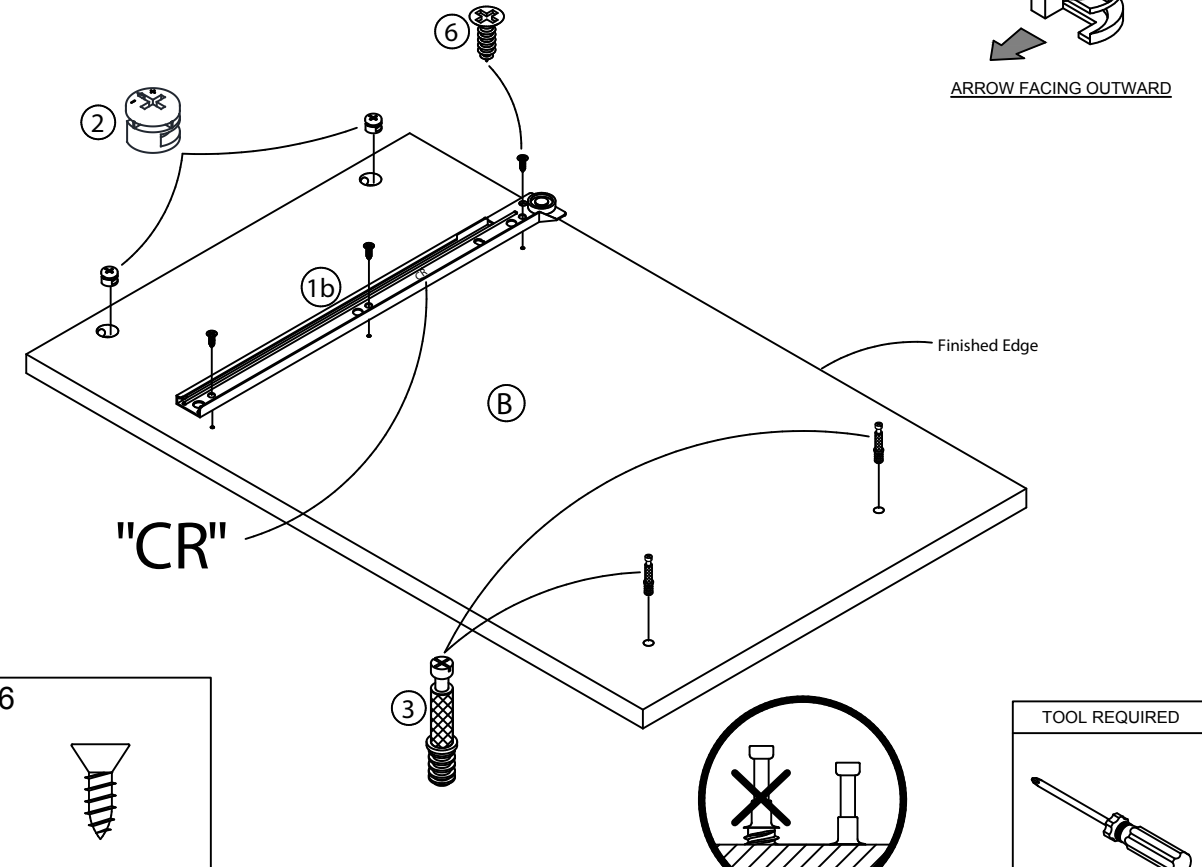
# STEP 8



# STEP 1

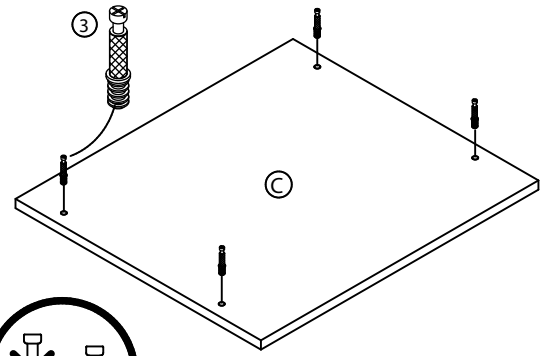


# STEP 2



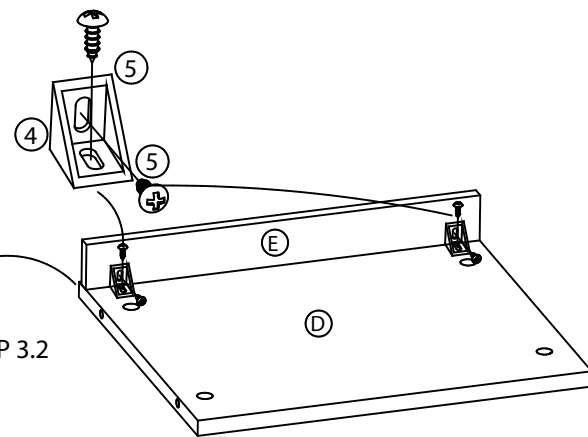
# STEP 3

STEP 3.1



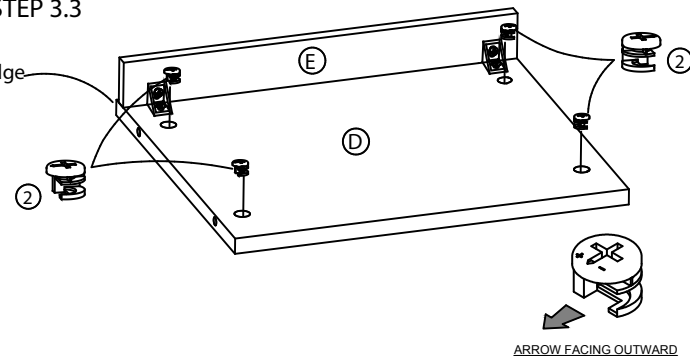
Finished Edge

STEP 3.2



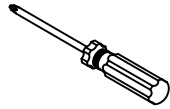
STEP 3.3

Finished Edge



ARROW FACING OUTWARD

TOOL REQUIRED



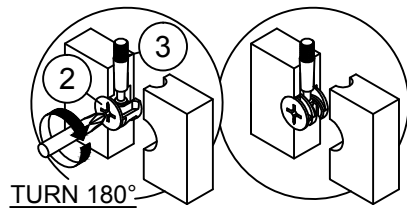
4  
L BRACKET 2 PCS

2  
CAM LOCK 4 PCS

3  
CAM BOLT 4 PCS

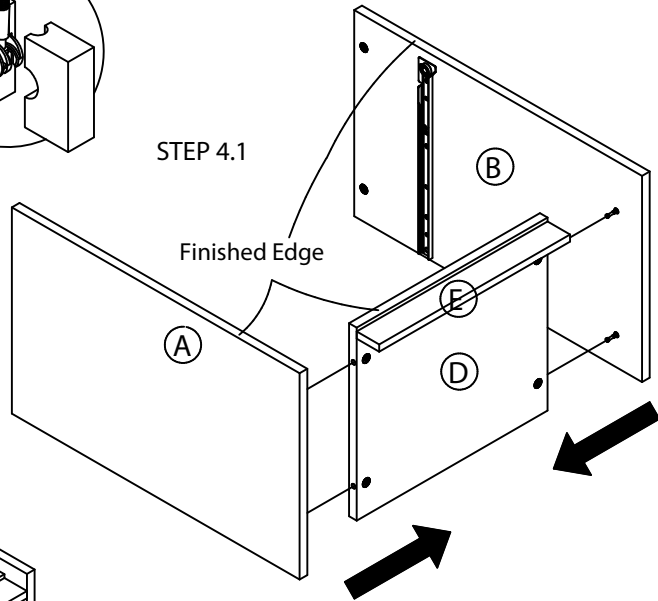
5  
PAN HEAD SCREW 4 PCS

# STEP 4



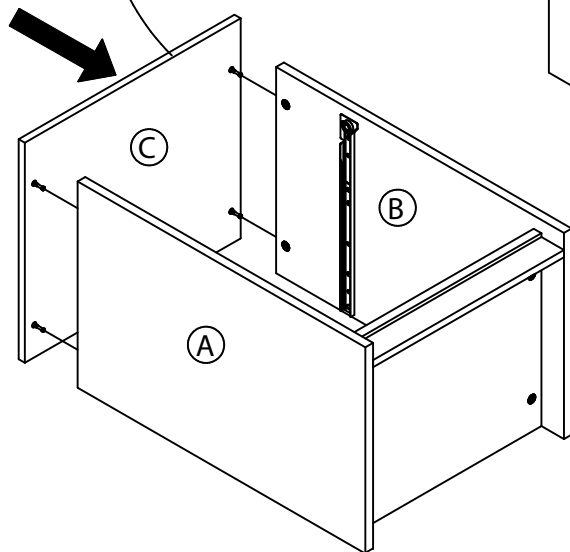
STEP 4.1

Finished Edge

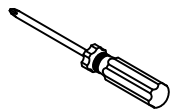


STEP 4.2

Finished Edge

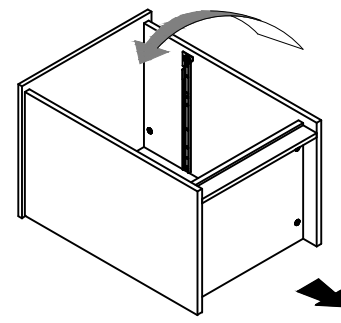


TOOL REQUIRED



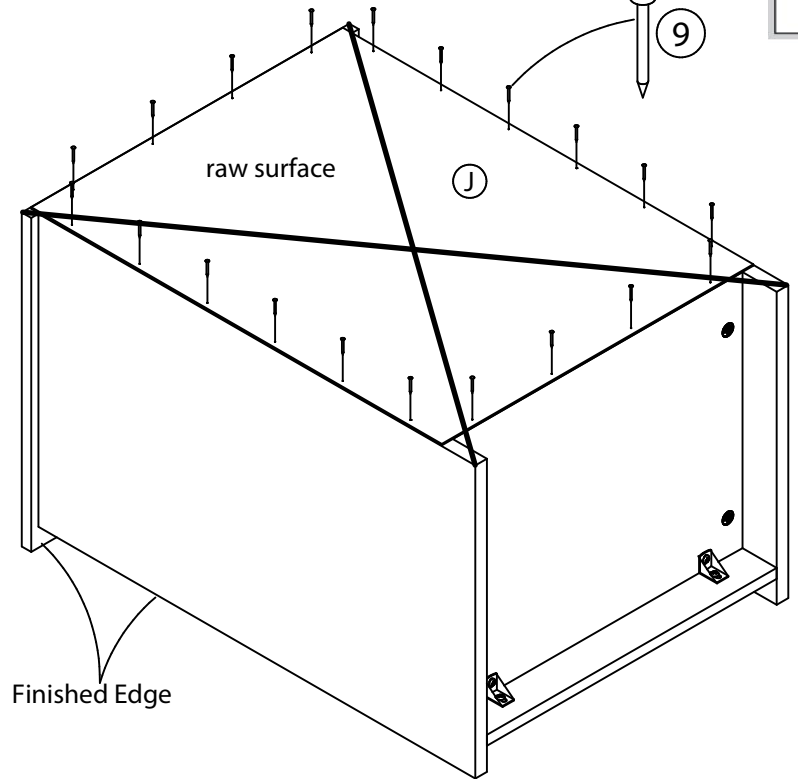
# STEP 5

TURN 180°



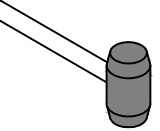
raw surface

Finished Edge



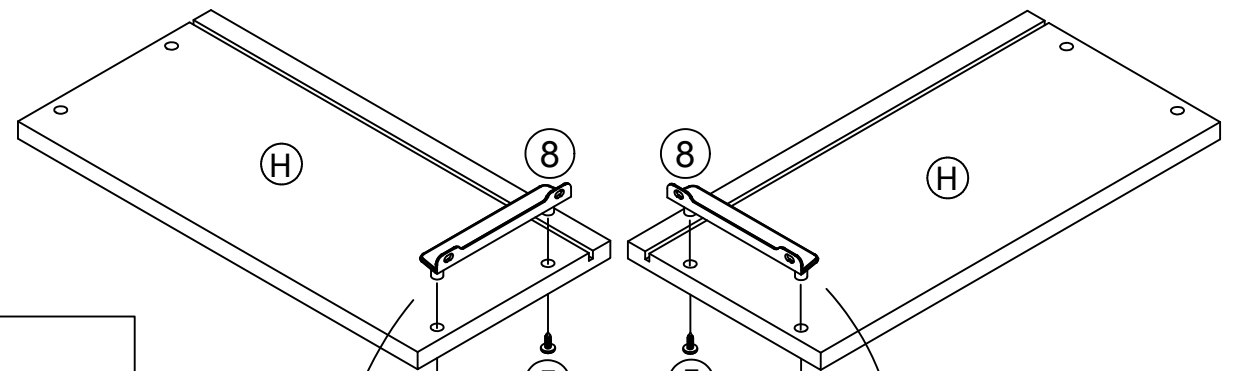
**WARNING**  
WATCH YOUR HANDS AND FINGERS

TOOL REQUIRED



9  
POWER PIN 20 PCS

# STEP 6



SIDE VIEW

SIDE VIEW

5  
PAN HEAD SCREW 4 PCS

8  
DRAWER BRACKET 2 PCS

TOOL REQUIRED

