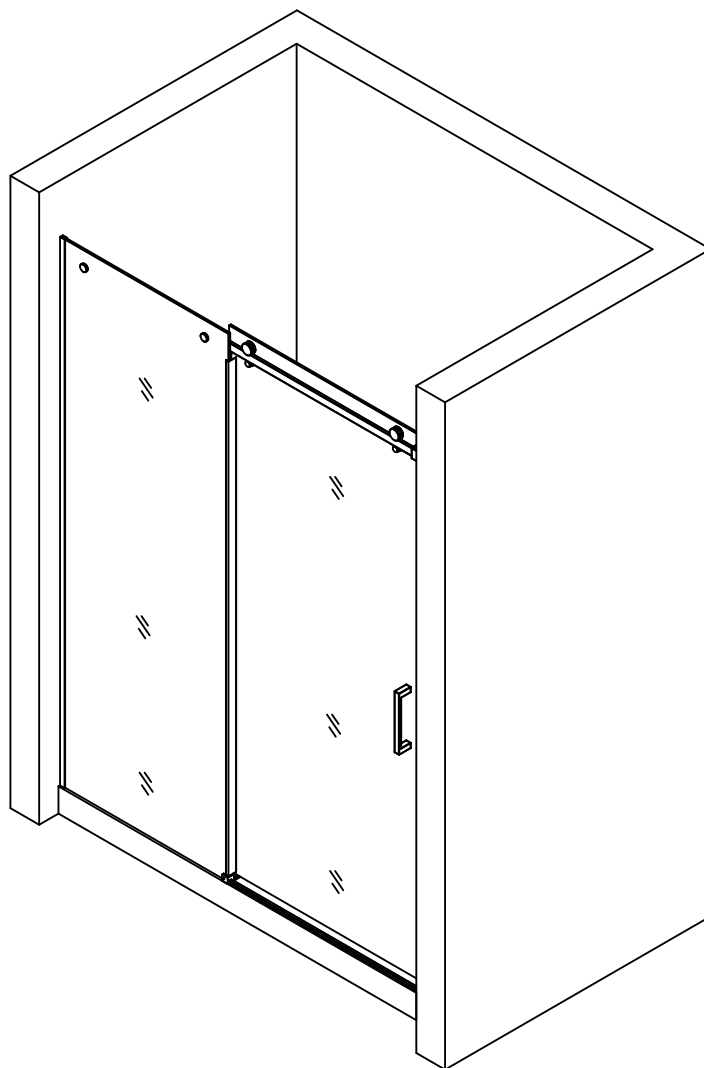


# Shower Door Installation Guide

## SS09A



**Plz do not just return when meeting difficulties in installation, just contact your seller for help.**

---

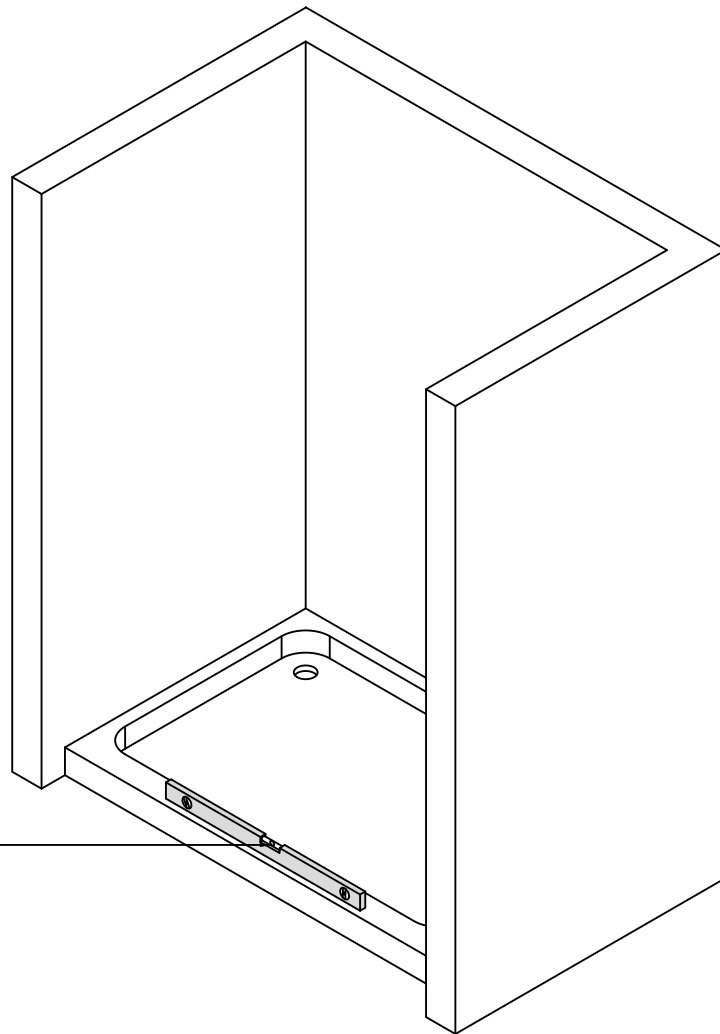
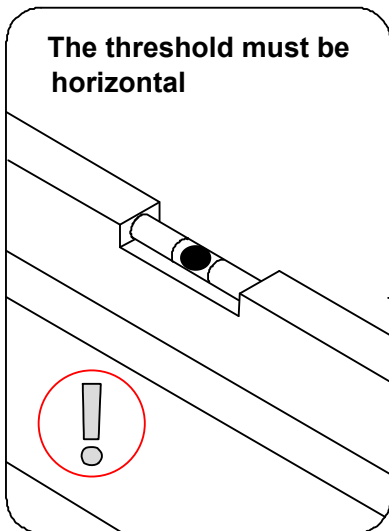
## Model Specific Preparation



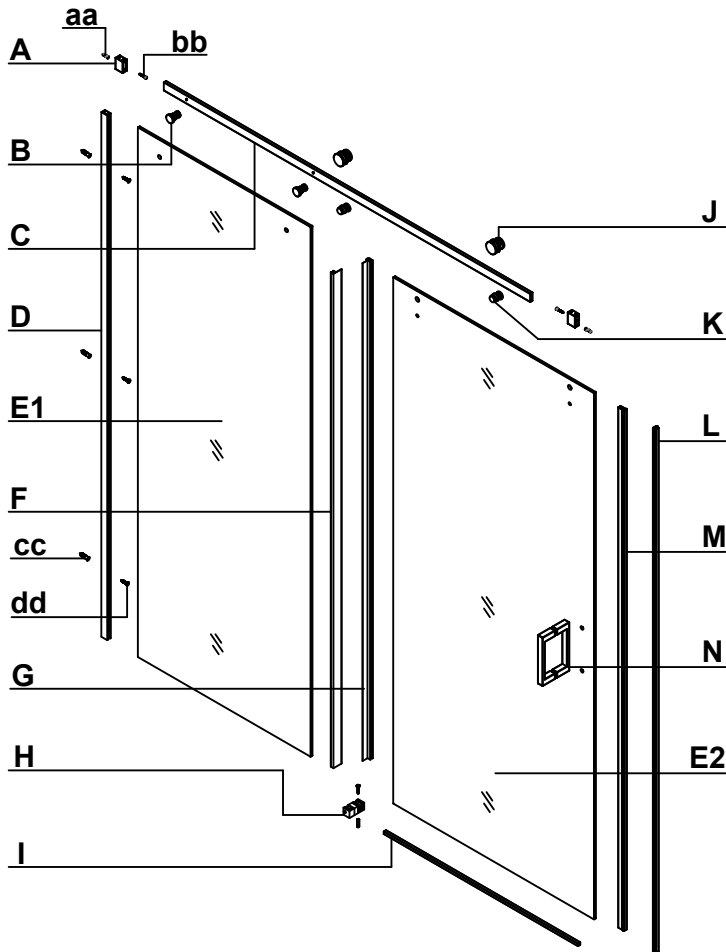
**REQUIRED:**

Verify that the threshold is level by using a straight edge or a level tool. Adjust the threshold as necessary to ensure it is perfectly horizontal

The threshold must be horizontal



**PACKAGE CONTENT**

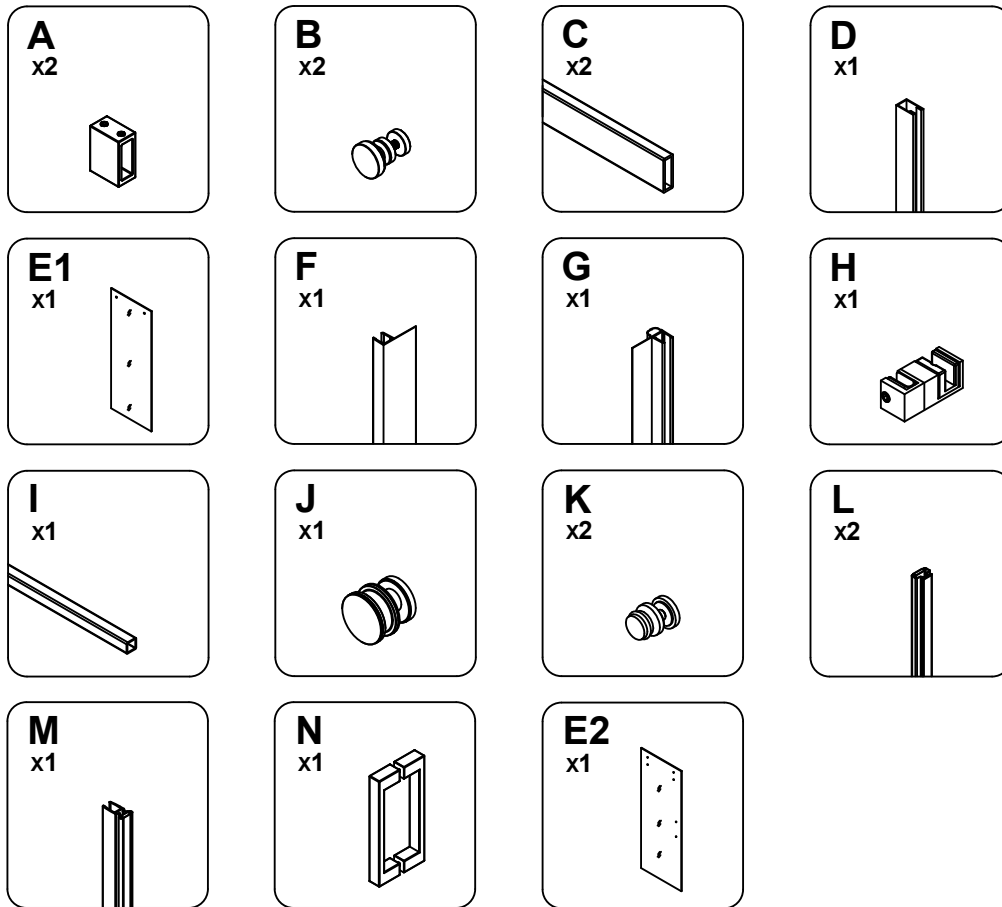


**PACKAGE CONTENT**

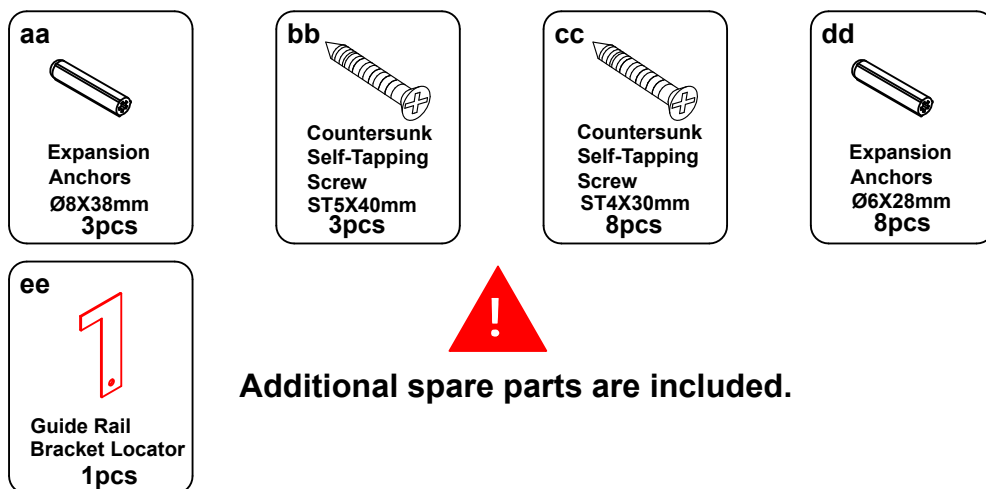
PART#	DESCRIPTION	QTY	PART#	DESCRIPTION	QTY
A	Rail Bracket	2	I	Threshold Water Dam	1
B	Glass Railing Stabilizer	2	J	Roller	2
C	Guide Rail	1	K	Anti-Jump Knob	2
D	Wall Jamb	1	L	Wall Magnetic Strip	1
E1	Fixed Panel	1	M	Door Magnetic Strip	1
F	F-type Seal Strip	1	N	Handle	1
G	F-Type Bulb Seal Strip	1	E2	Sliding Panel	1
H	Bottom Guide	1			

**NOTE** Please inspect all parts for any missing items before installation!  
If any part is missing, please contact us.

**PACKAGE CONTENT**



**HARDWARE CONTENT**



**NOTE** Inspect all parts for any missing items prior to installation!  
Contact us if any parts are missing.


**TOOLS REQUIRED**

**Drill Bits**




Ø1/4" & Ø5/16" (6 & 8mm) dia.  
HSS

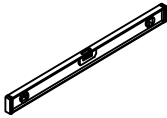
**Screw Driver**



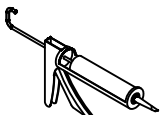
**Drill**



**Level**



**Sealant**



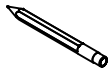
**Measuring Tape**



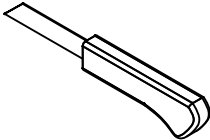
**Soft Head Hammer**



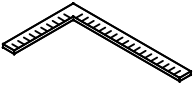
**Pencil**



**Knife**



**Framing Square**




**Masonry Drill Bit For Tile  
Ø6mm**



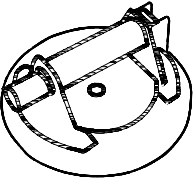
**Safety Glasses**



**Gloves**



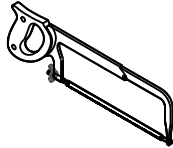
**Glass Suction**



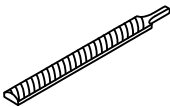
**Masking Tape**



**Hack Saw**



**Metal File**



## SAFETY INFORMATION

### CAUTION

Please carefully read the following important safety information before handling or installing this shower door. There is a risk of serious injury while handling this product.

To minimize these risks, please note:

- Always wear safety glasses and gloves while handling.
- Always follow the installation instructions.
- Inspect the glass for damage before installation.
- Extreme caution should be taken while handling the glass during installation, as the tempered glass may shatter if it comes into contact with a hard surface.
- Do not cut or modify the tempered glass, as it will shatter if cut.
- Carefully remove the product from its packaging and keep the packaging until the installation is complete.
- Inspect all parts for damage or missing items. If there is any damage or missing parts prior to installation, please contact your seller for help.
- Cover the drain with tape to prevent the loss of small parts.
- The shower base and finished walls should be installed before beginning the shower door installation.
- During installation, protect the shower floor with a drop cloth to prevent damage.
- This product should be installed by two people who are familiar with construction requirements. Professional installation is recommended!
- Keep this installation manual for future reference.

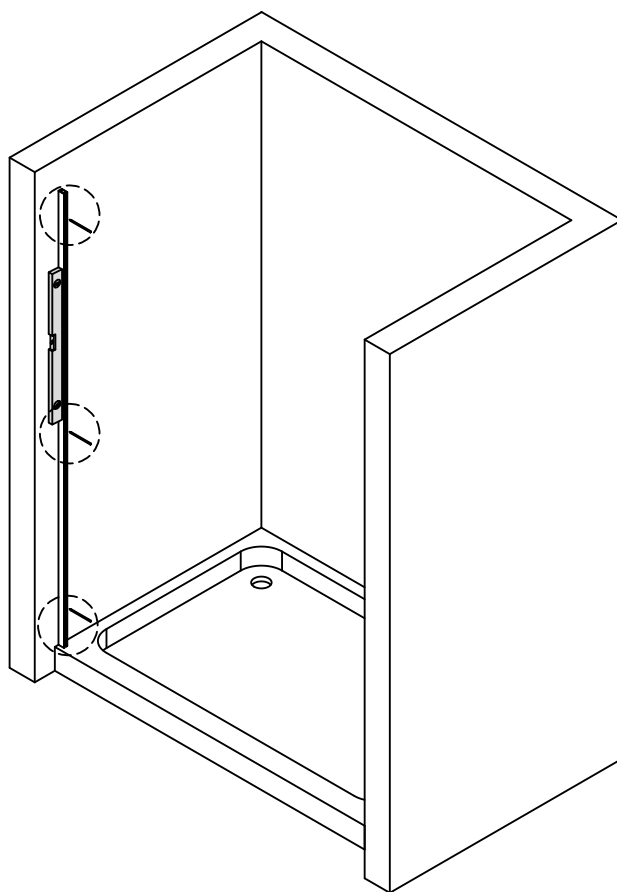
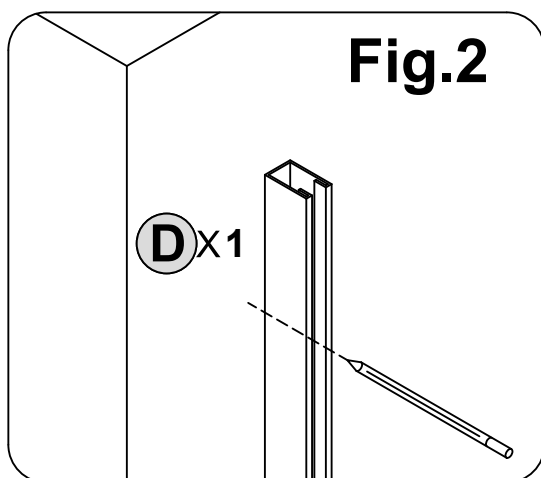
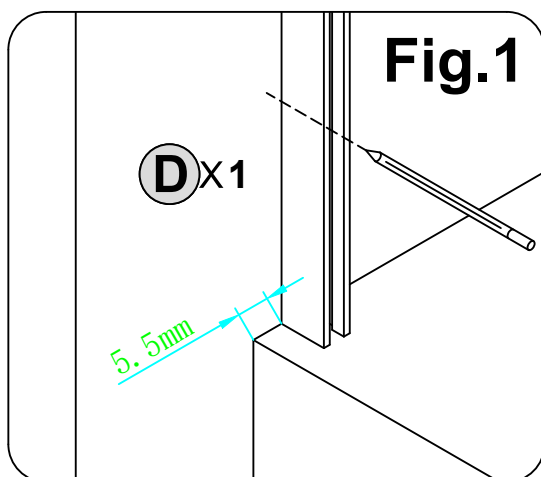
**NOTE:** Two people should perform this installation.



## 1 Install **Wall Jamb (D)**

**NOTE**

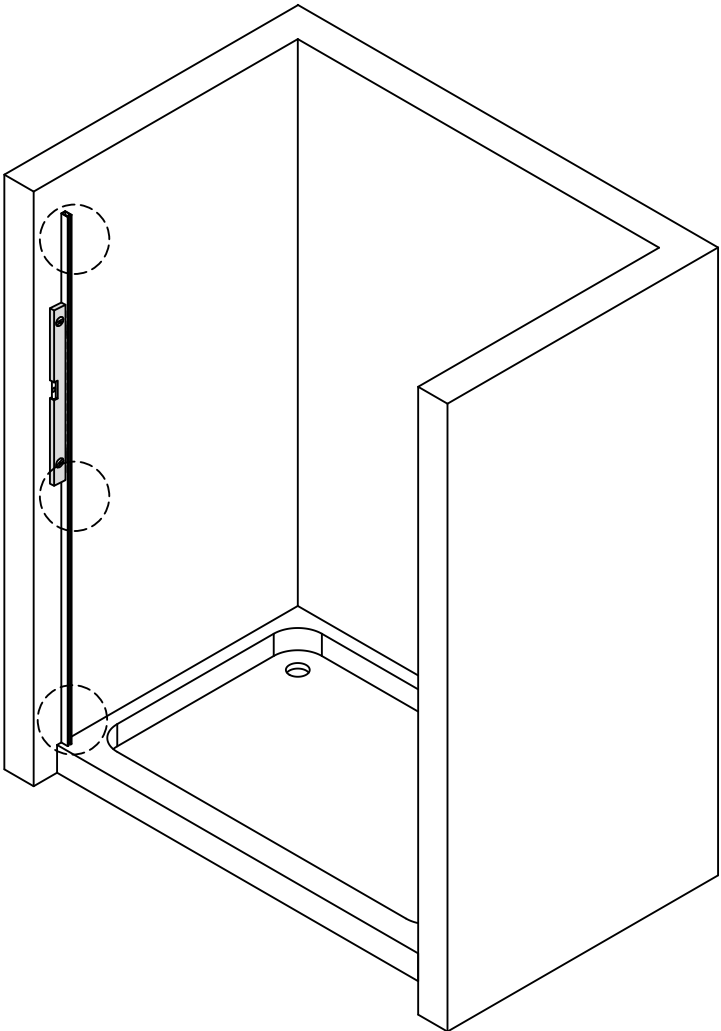
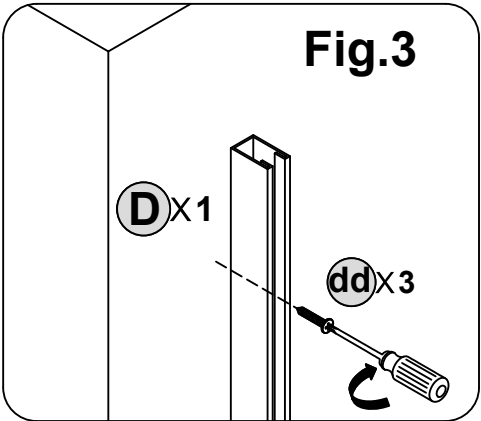
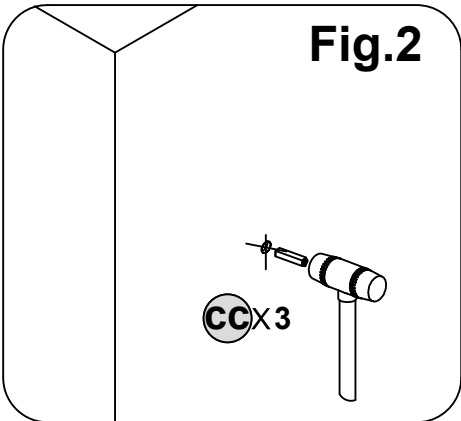
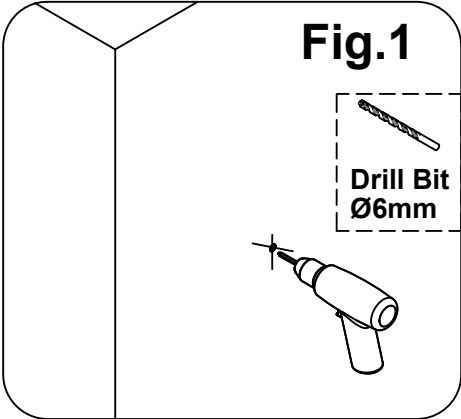
1. Position **Wall Jamb (D)** 7/32" (5.5mm) from edge. Use a level to ensure vertical alignment.
2. Mark the corresponding holes in the **Wall Jamb (D)** with a pencil.



**2** Secure **Wall Jamb (D)**

**NOTE**

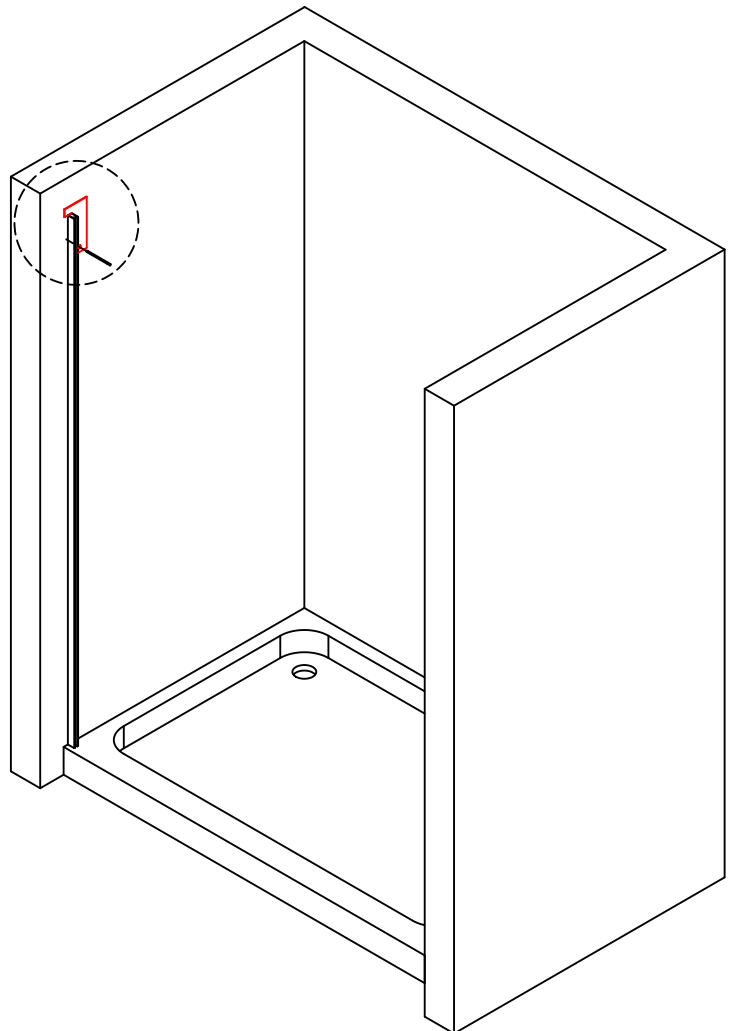
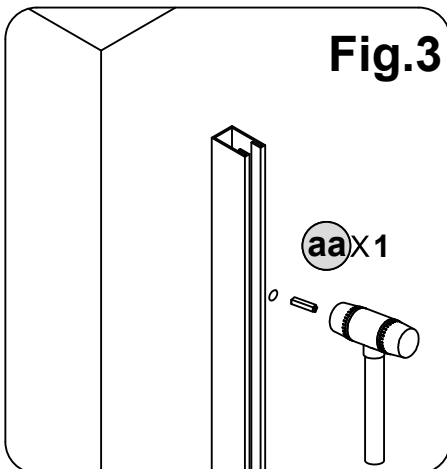
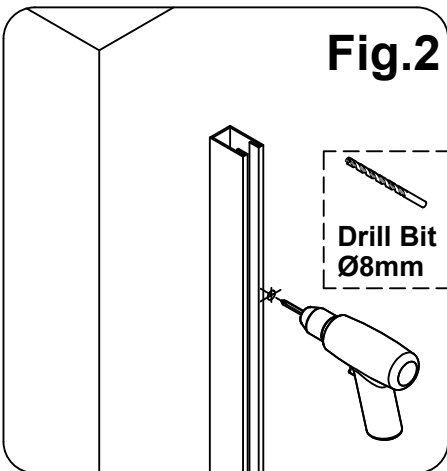
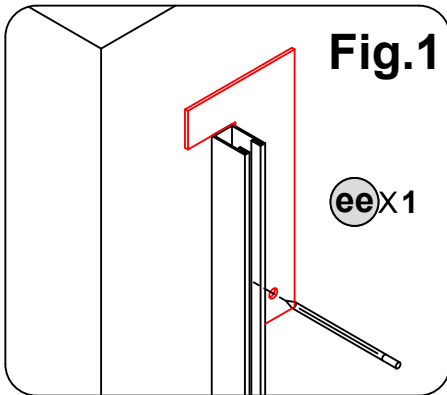
- 1. Remove **Wall Jamb (D)**. Drill  $\varnothing 6\text{mm}$  holes at marked positions.
- 2. Insert **expansion anchors (dd)** into holes using a soft-head hammer.
- 3. Secure **Wall Jamb (D)** to the wall with **ST4x30 screws (cc)**. Ensure it remains vertical.



**3** Install **Rail Bracket (A)**

**NOTE**

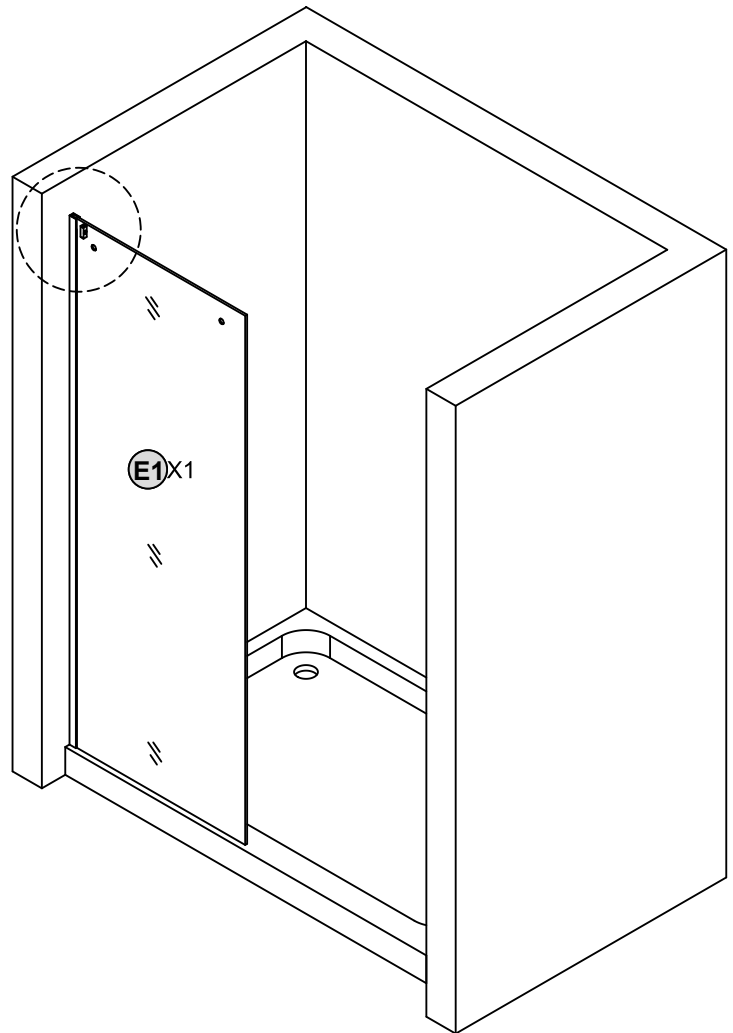
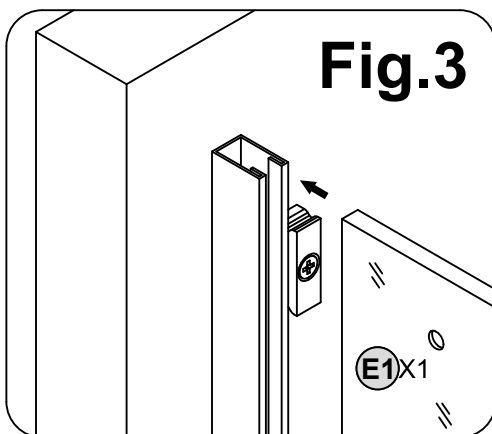
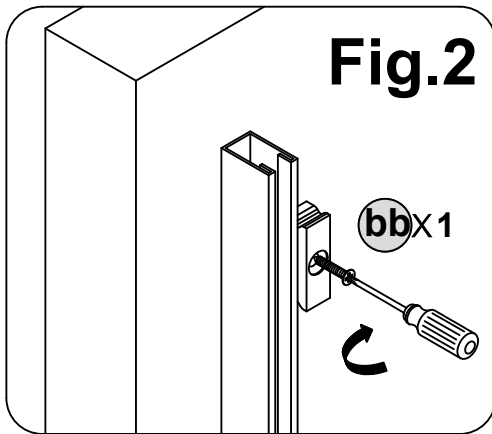
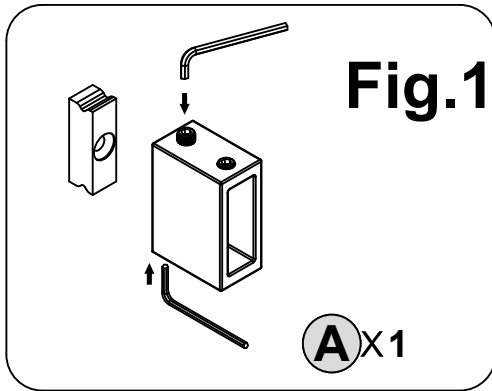
1. Place Guide **Rail Bracket Locator (ee)** flush with the top of **Wall Jamb (D)**. Mark hole positions.
2. Drill **Ø8mm** holes at marks.
3. Insert **expansion anchors Ø8×38mm (aa)** into holes.



**4** Install **Rail Bracket (A)** & **Fixed Panel (E1)**

**NOTE**

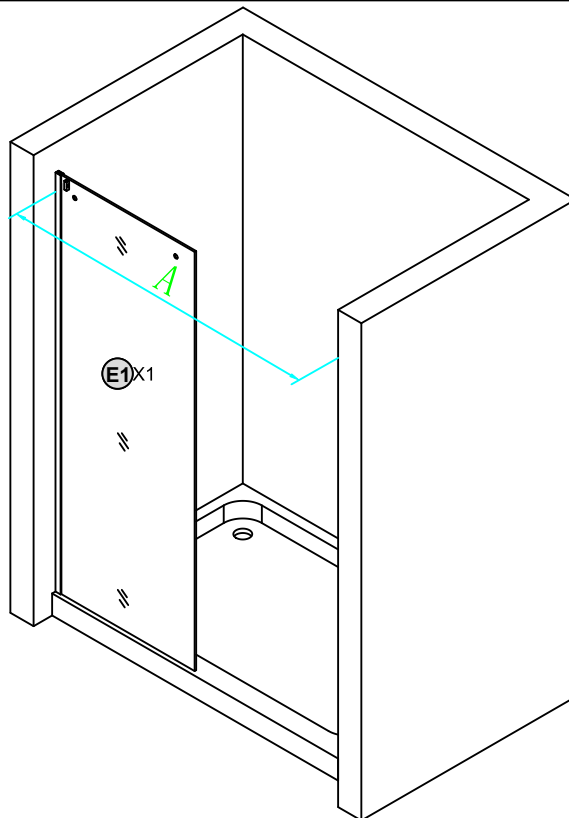
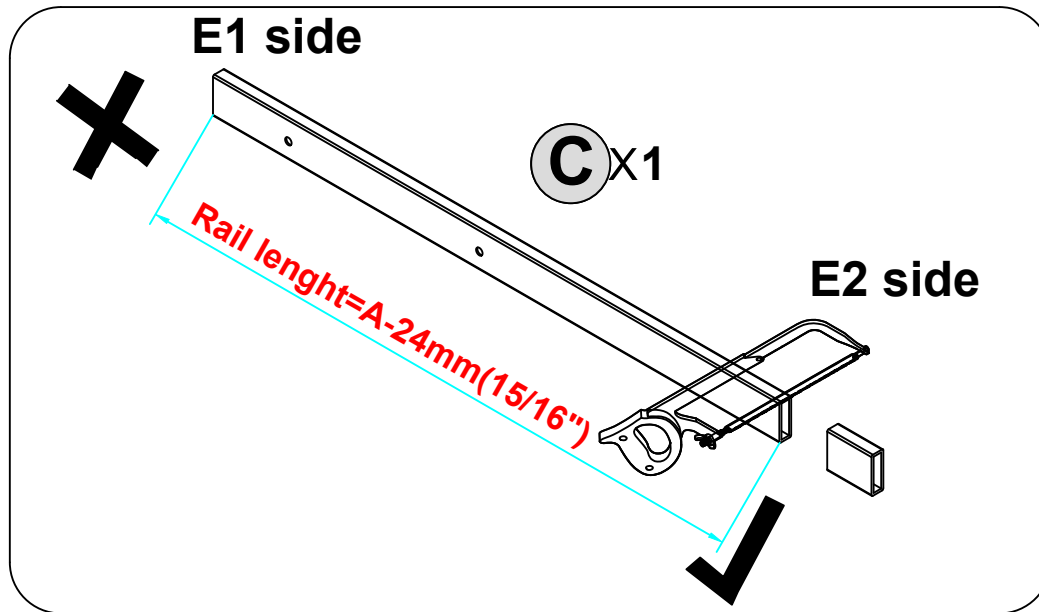
1. Unscrew **Rail Bracket (A)** base.
2. Secure **Rail Bracket (A)** base to the wall with **ST5×40mm screws (bb)**.
3. Lift **Fixed Panel (E1)** and clip into **Wall Jamb (D)**.



## 5 Guide Rail (C) Adjustment

NOTE

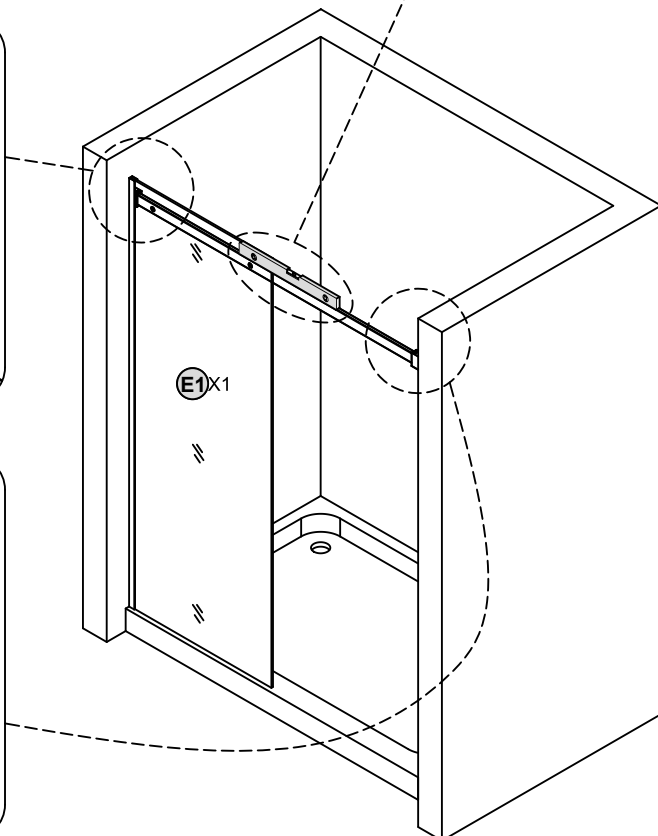
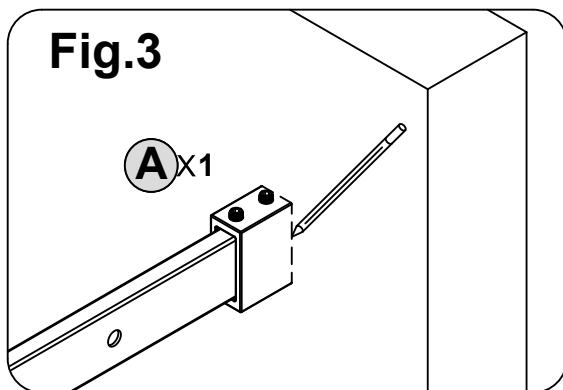
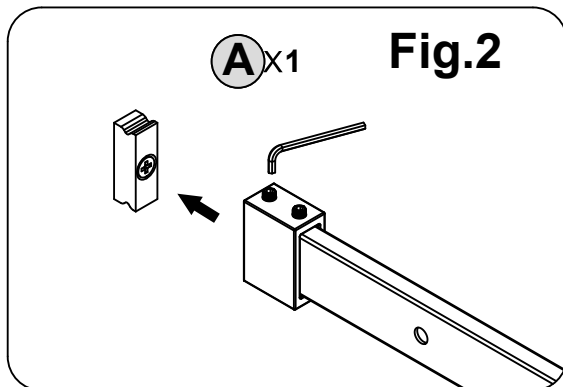
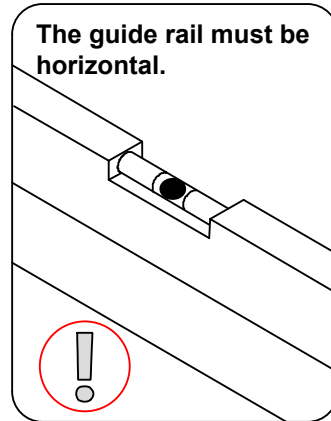
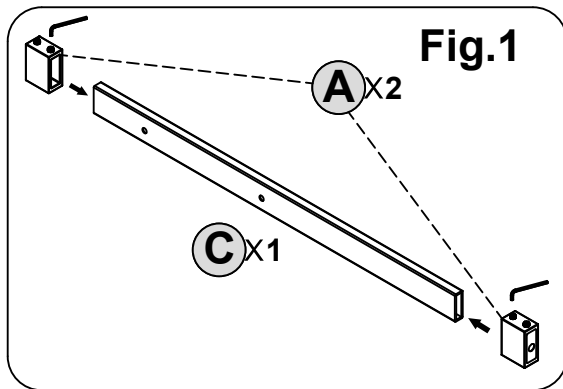
Measure and cut excess length from **Guide Rail (C)** on the **Sliding panel (E2)** side only. Note: **Do not cut the fixed panel (E1) side.**



**6** Install **Guide Rail (C)**

**NOTE**

1. Loosen set screws on **Rail Brackets (A)**. Slide brackets onto **Guide Rail (C)**.
2. Attach one **Rail Bracket (A)** to the wall bracket base.
3. Level **Guide Rail (C)** with a level tool. Mark around bracket edges.

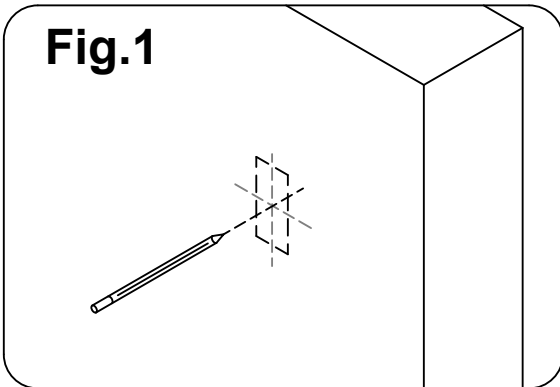


**7** Secure **Guide Rail (C)**

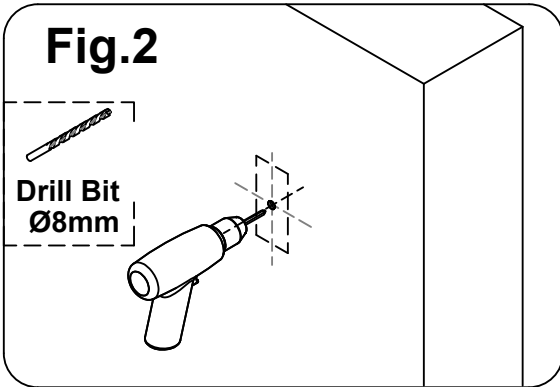
**NOTE**

1. Remove **Guide Rail (C)** and brackets. Mark center points of bracket positions.
2. Drill **Ø8mm** holes at marks.
3. Insert **expansion anchors (aa)** into holes.,
4. Secure **Rail Bracket (A)** bases with **ST5×40mm screws (bb)**.

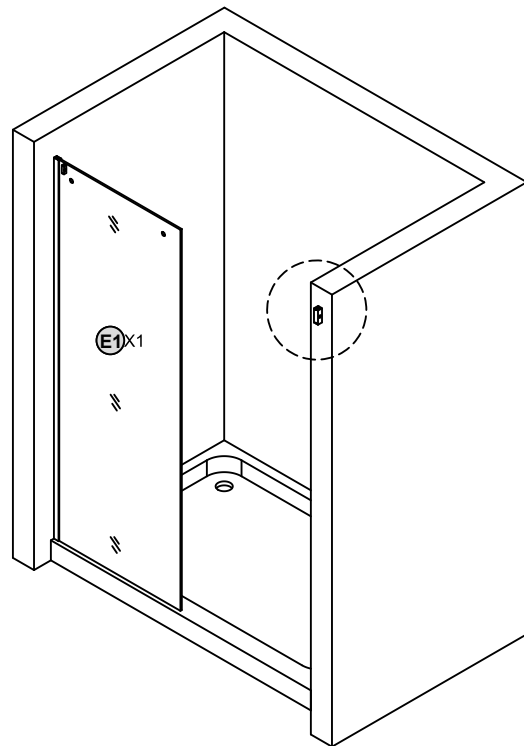
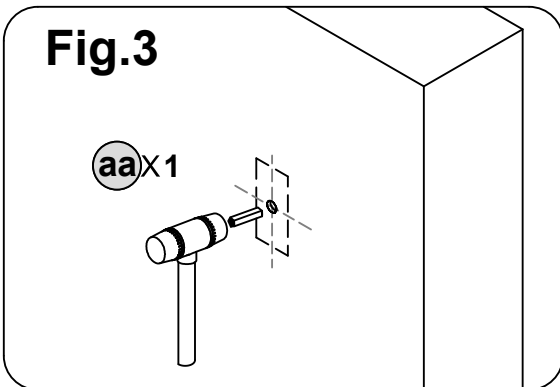
**Fig.1**



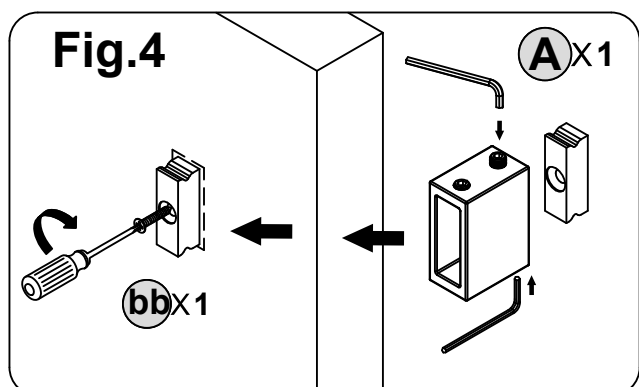
**Fig.2**



**Fig.3**



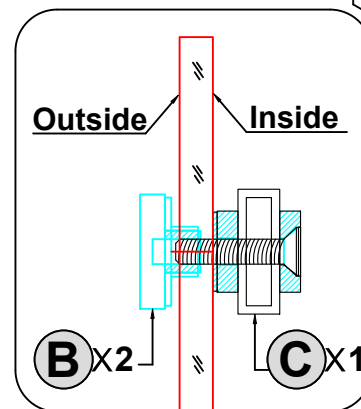
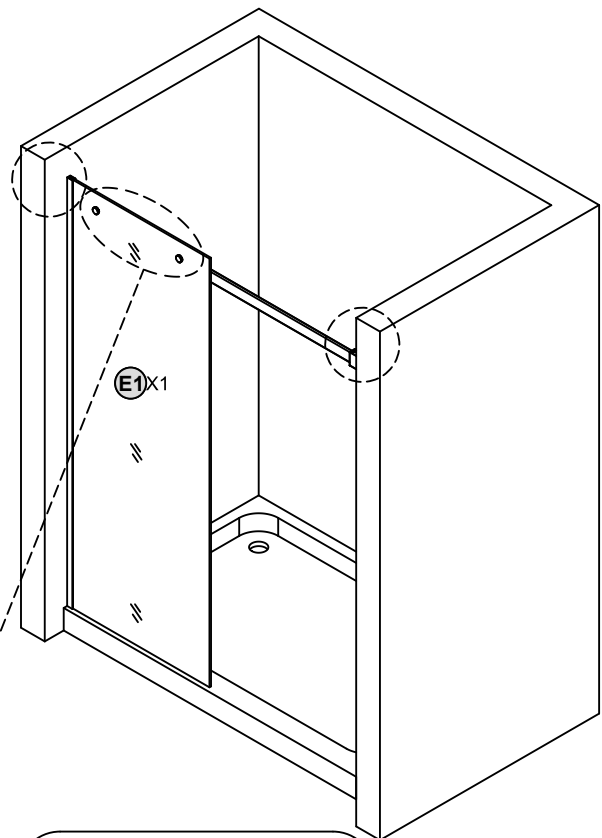
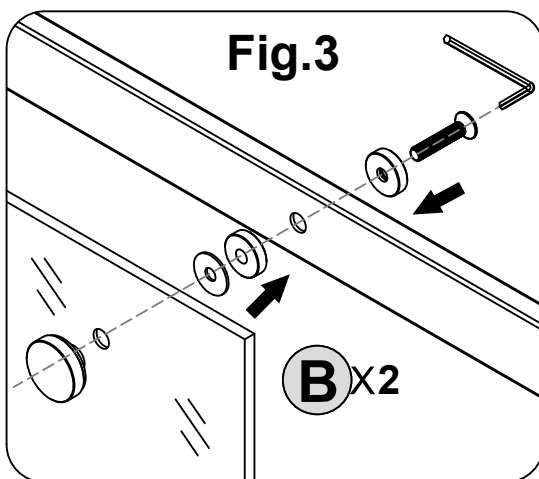
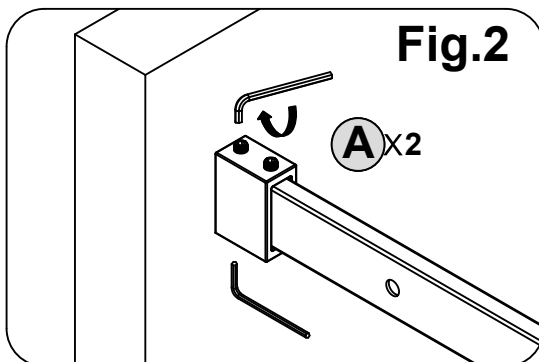
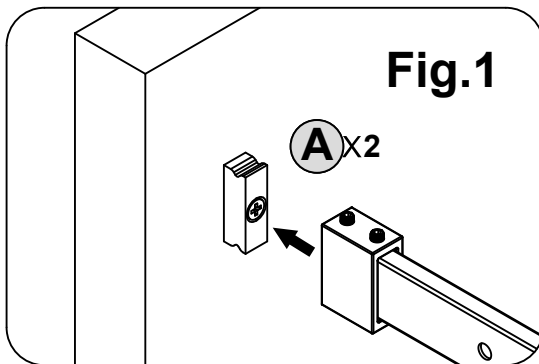
**Fig.4**



## 8 Mount **Guide Rail (C)**

NOTE

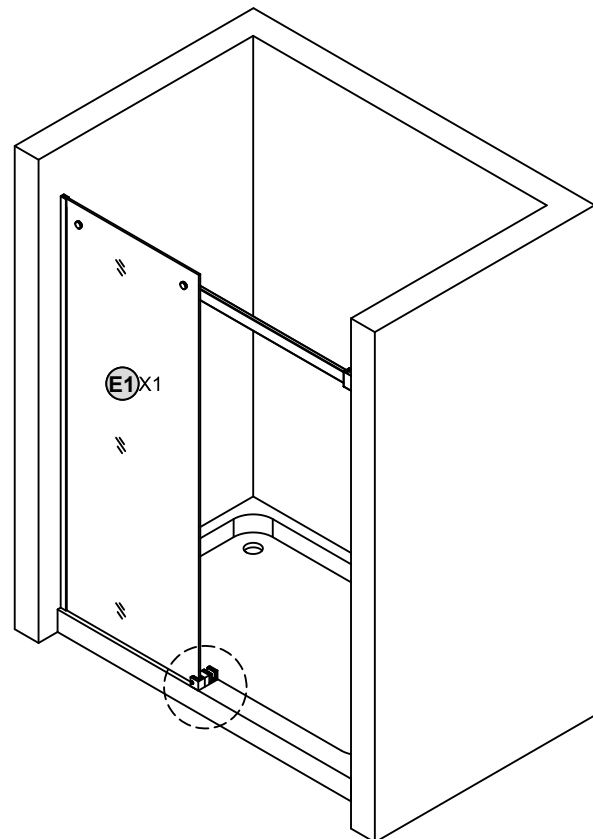
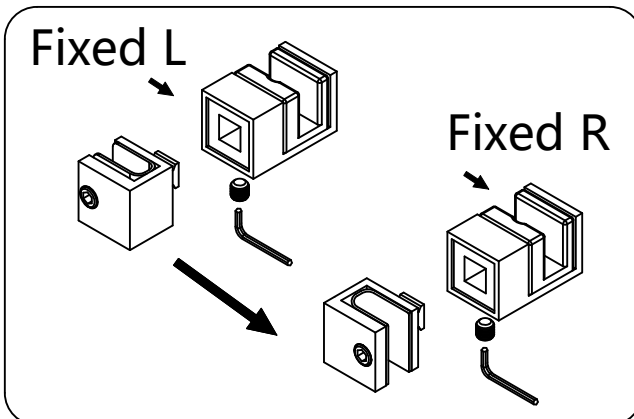
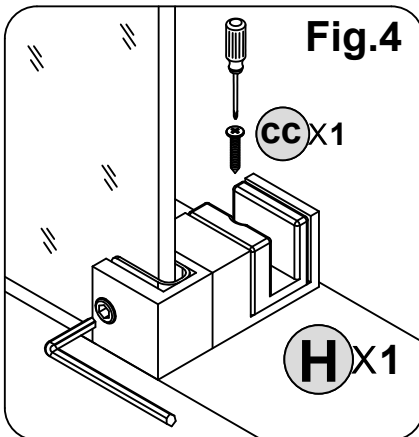
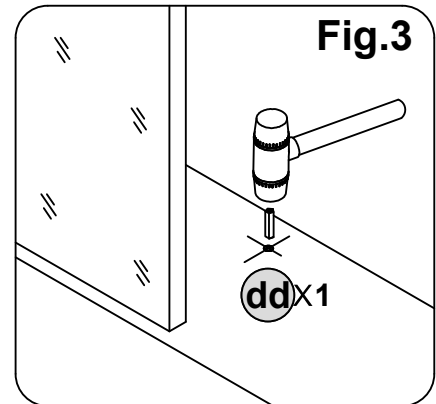
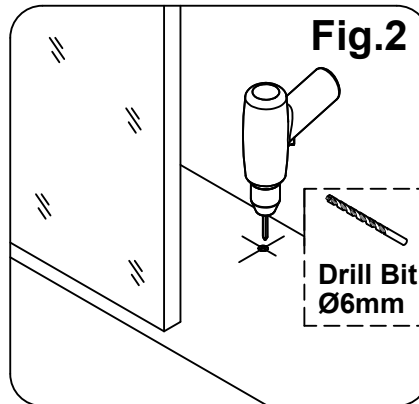
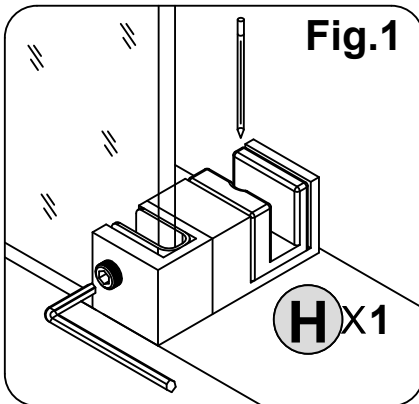
1. Attach left/right **Rail Brackets (A)** to wall bases.
2. Tighten set screws on brackets and **Guide Rail (C)** with an Allen wrench.
3. Align holes on **Fixed Panel (E1)** with **Guide Rail (C)**. Secure with **Glass Railing Stabilizers (B)**.



**9** Install **Bottom Guide (H)**

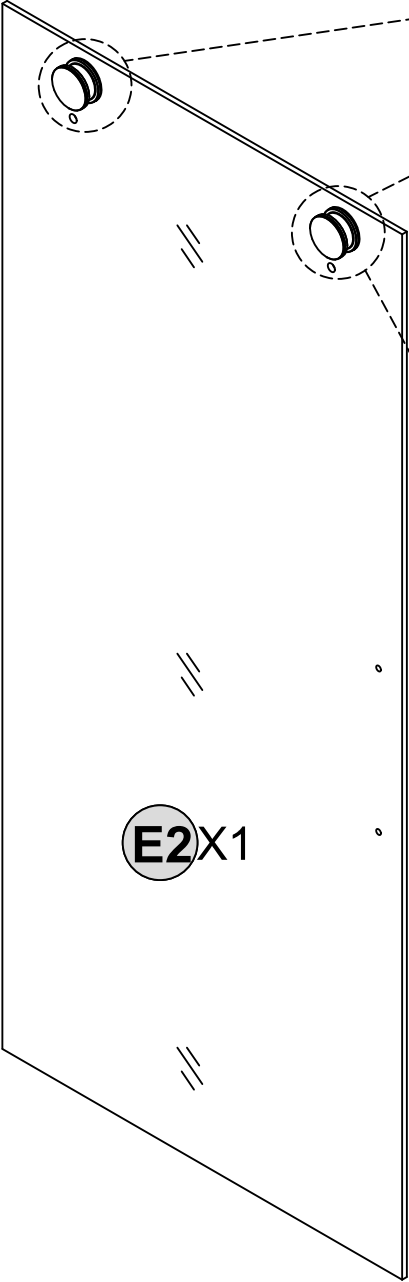
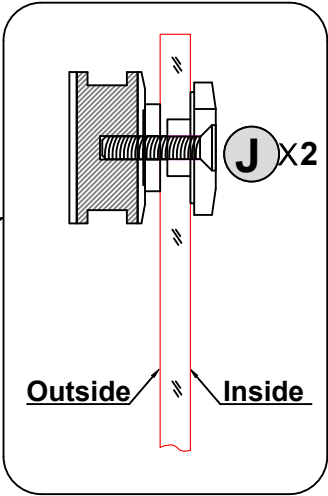
1. Loosen set screw on **Bottom Guide (H)**. Clip the **Fixed Panel (E1)** angle into **Bottom Guide (H)** slot and mark holes.
2. Drill  $\varnothing 6\text{mm}$  holes at marks.
3. Insert **expansion anchors (dd)**.
4. Secure **Bottom Guide (H)** to floor with **ST4×30 screws (cc)**. Tighten set screw.

**NOTE**

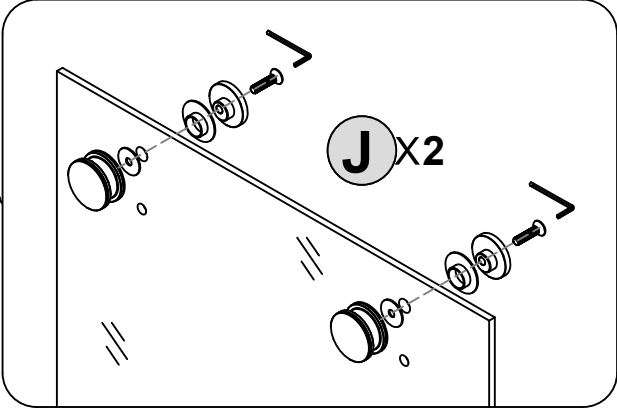


**10** Install **Rollers (J)** on **Sliding Panel (E2)**

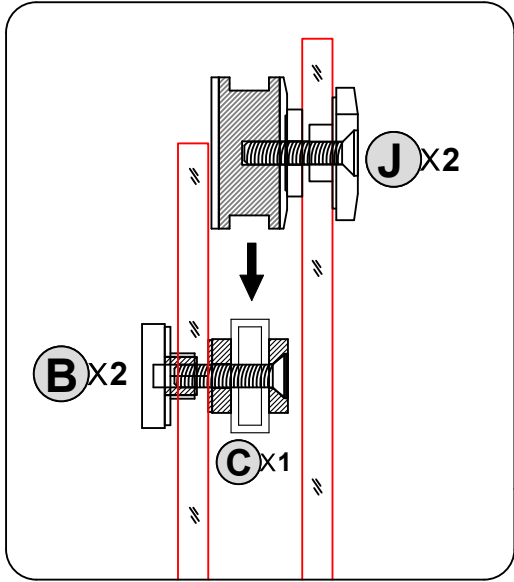
**NOTE** Roller wheels face **OUTWARD**



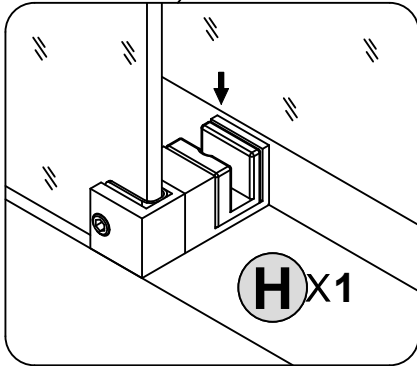
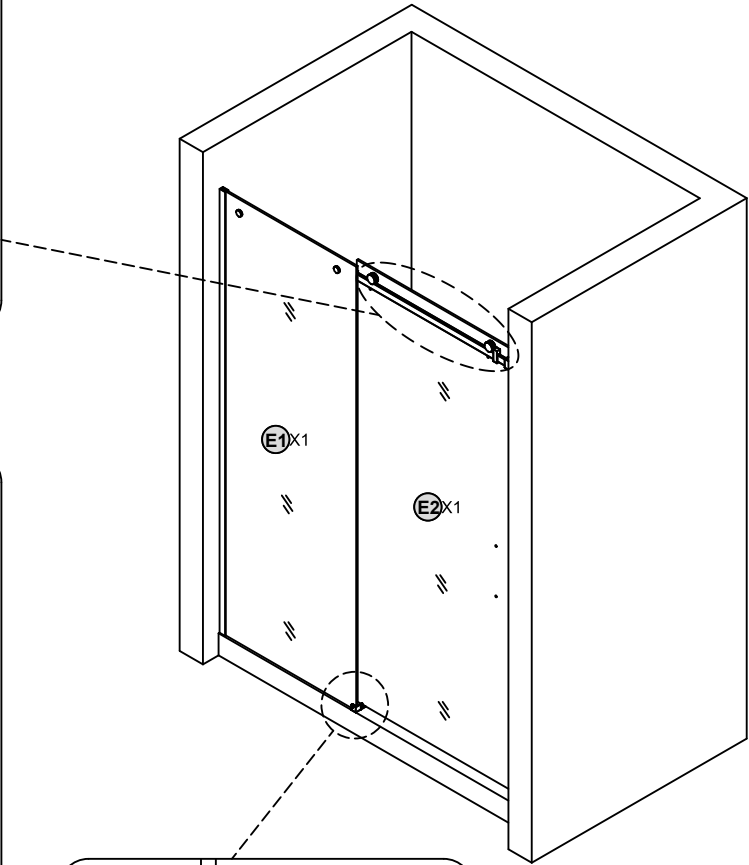
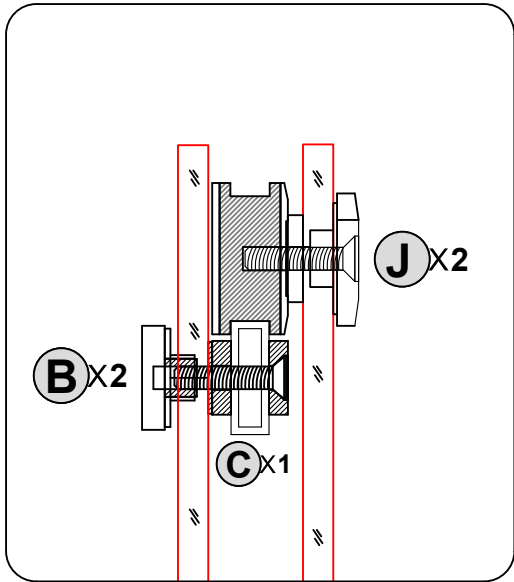
Attach **Rollers (J)** to **Sliding Panel (E2)** with wheels facing **OUTSIDE**. Tighten screws.



**11** Install **Sliding Panel (E2)**



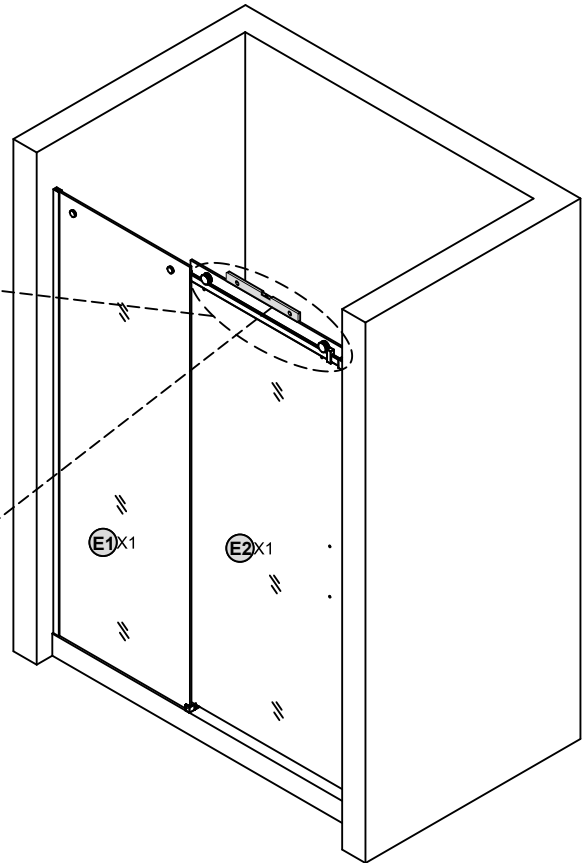
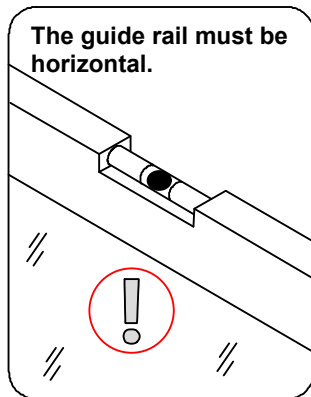
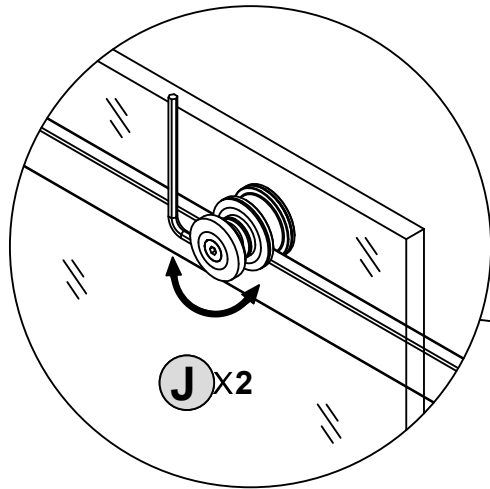
**NOTE** Lift **Sliding Panel (E2)** and engage rollers into **Guide Rail (C)**. Insert bottom into **Bottom Guide (H)** slot.



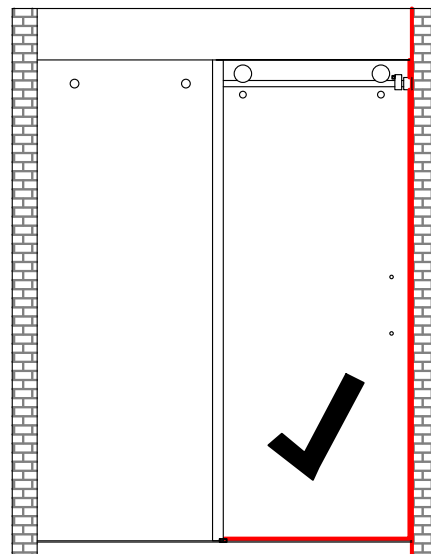
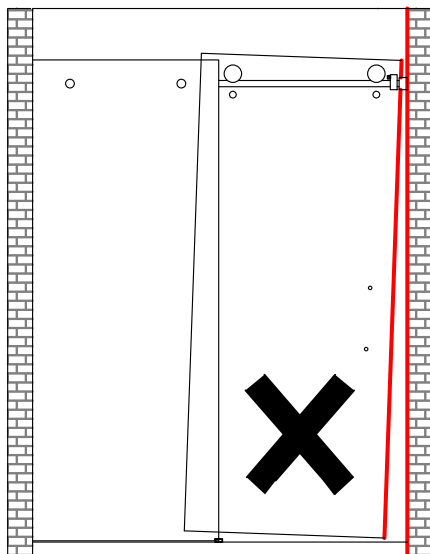
**12** Adjust **Sliding Panel (E2)** Height

**NOTE**

Rotate to adjust **Roller (J)** height to ensure smooth sliding. Align door edge parallel to the wall for a sealed closure.

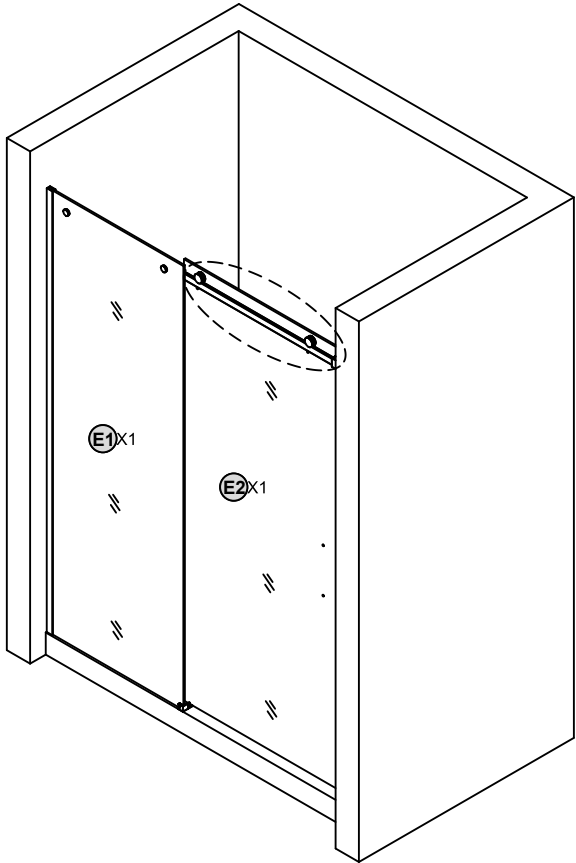
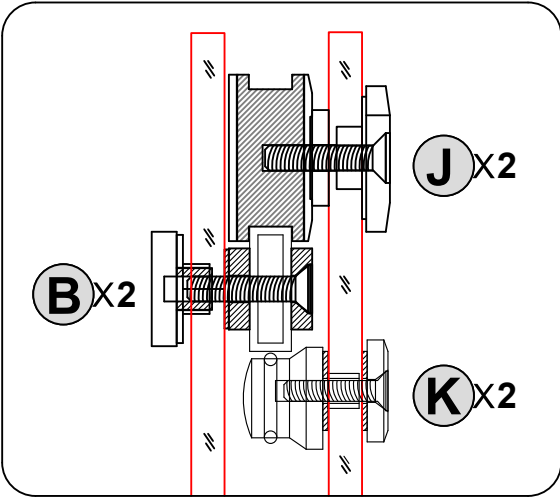
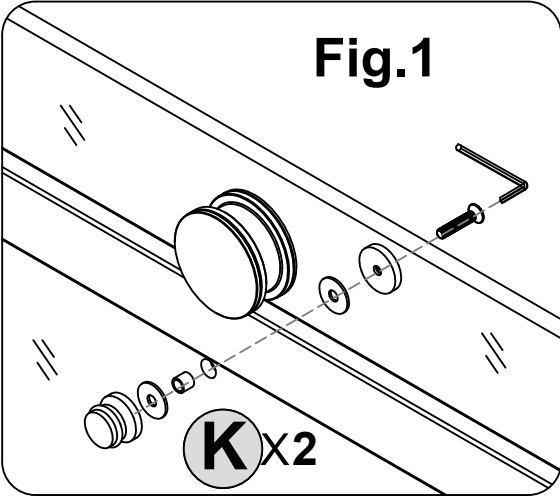


**NOTE**



**13** Install **Anti-Jump Knobs (K)**

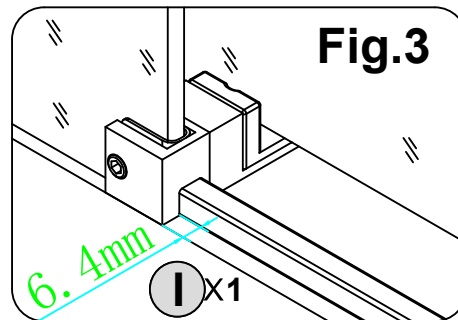
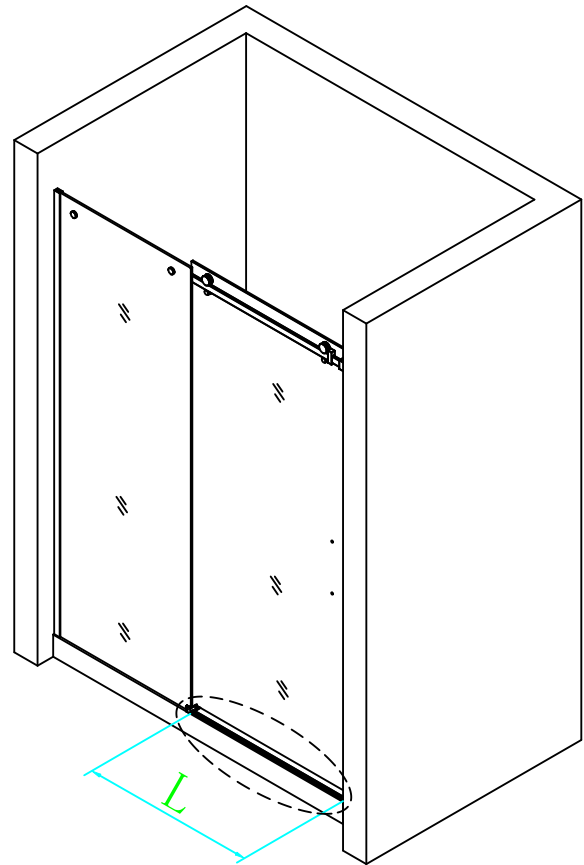
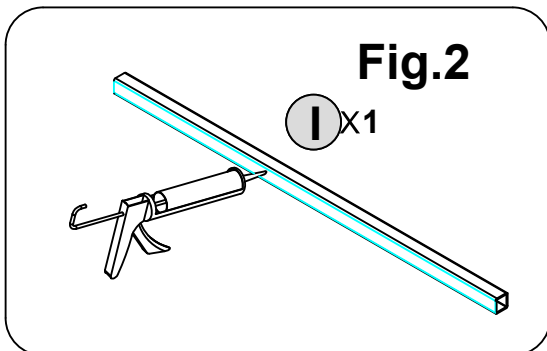
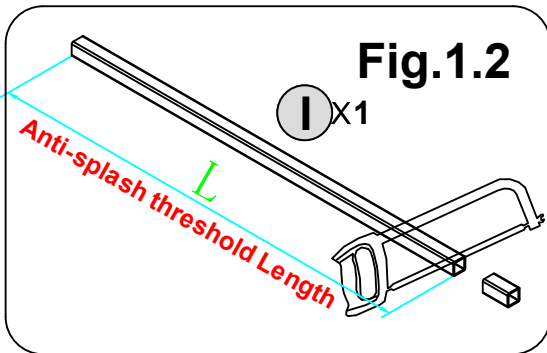
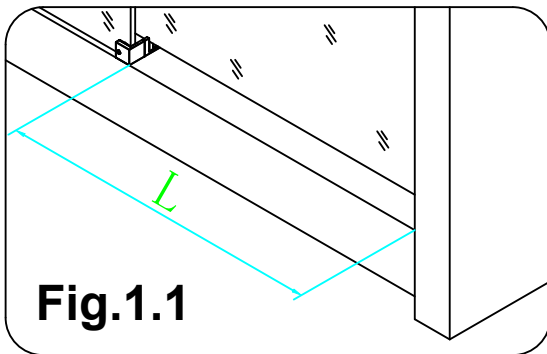
**NOTE** Install **Anti-Jump Knobs (K)** on **Sliding Panel (E2)**



**14** Install **Threshold Water Dam (I)**

**NOTE**

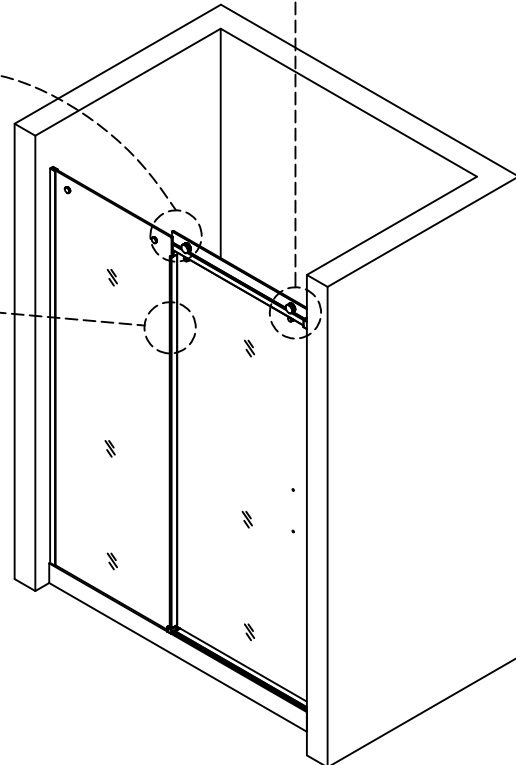
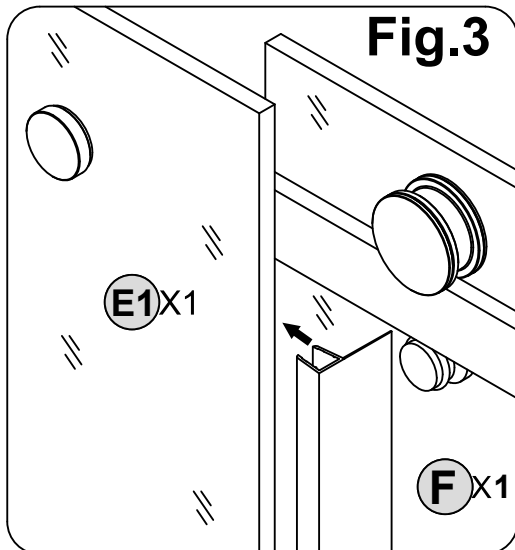
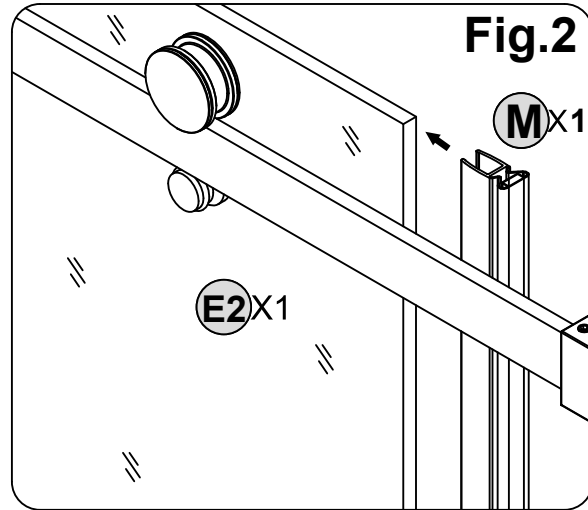
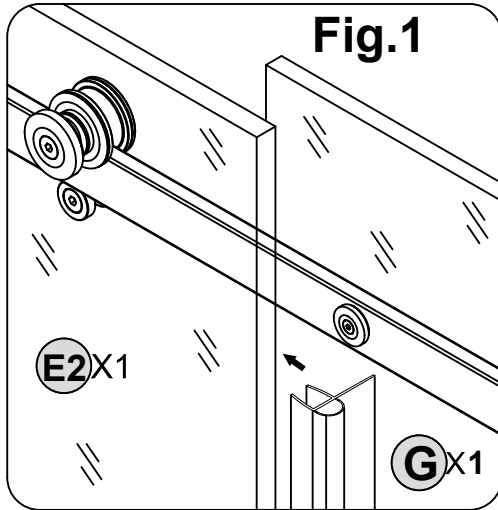
1. Measure and cut excess length from **Threshold (I)**.
2. Apply silicone sealant to the bottom of **Threshold (I)**.
3. Install **Threshold (I)** 6.4mm from the edge of **Bottom Guide (H)**.



**15** Install **Seals (G, M, F)**

**NOTE**

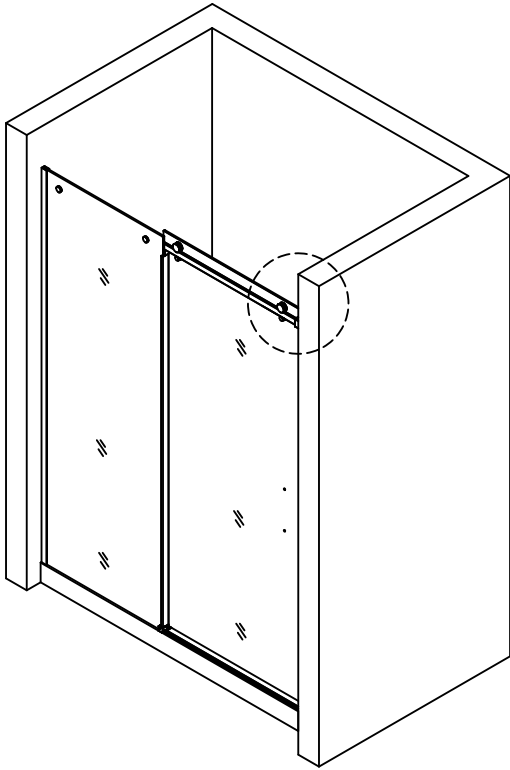
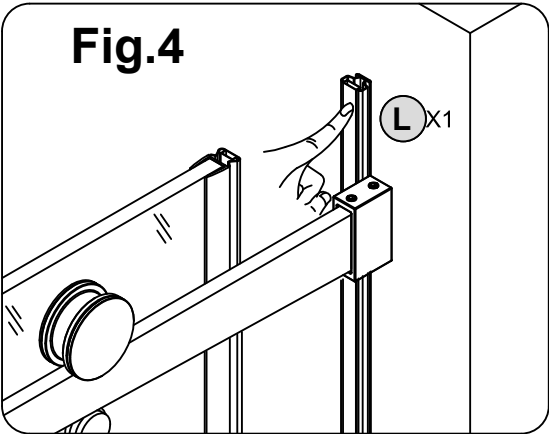
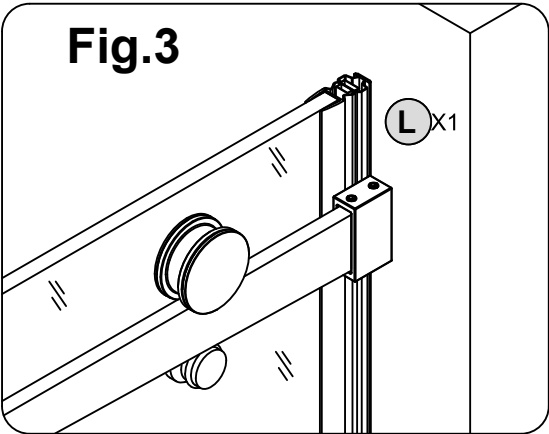
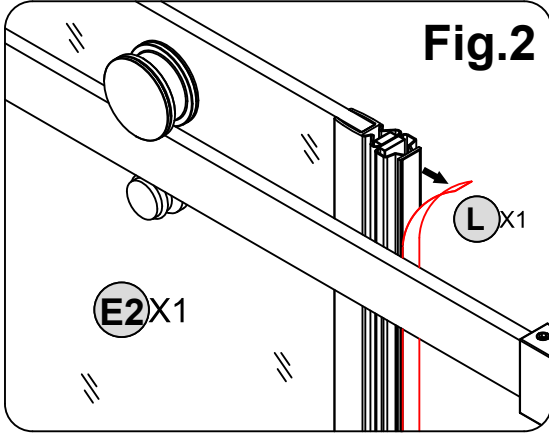
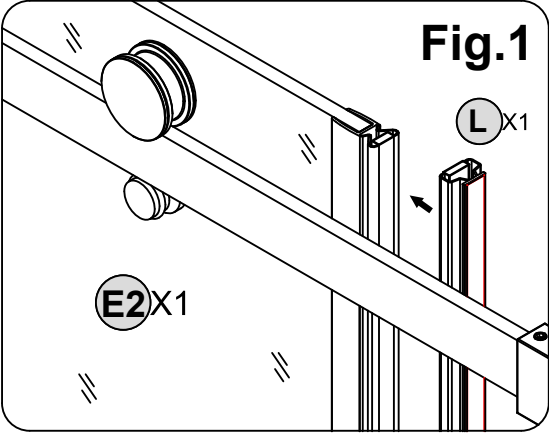
1. Clip **Door Magnetic Strip (M)** onto closure side of **Sliding Panel (E2)**.
2. Clip **F-Type Bulb Seal Strip (G)** onto other side of **Sliding Panel (E2)**.
3. Clip **F-type Seal Strip (F)** onto **Fixed Panel (E1)**.



# 16 Install Wall Magnetic Strip (L)

NOTE

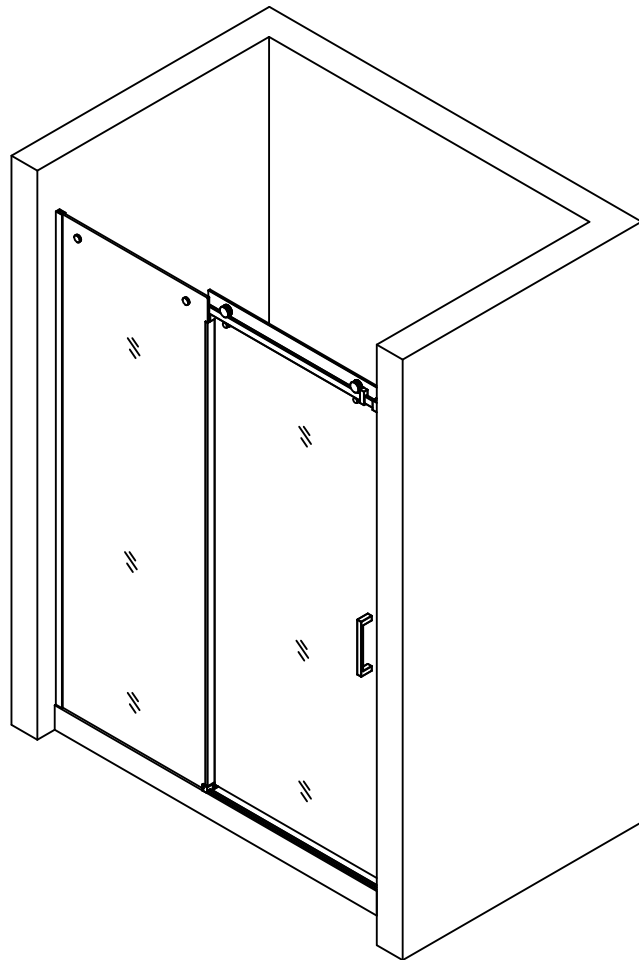
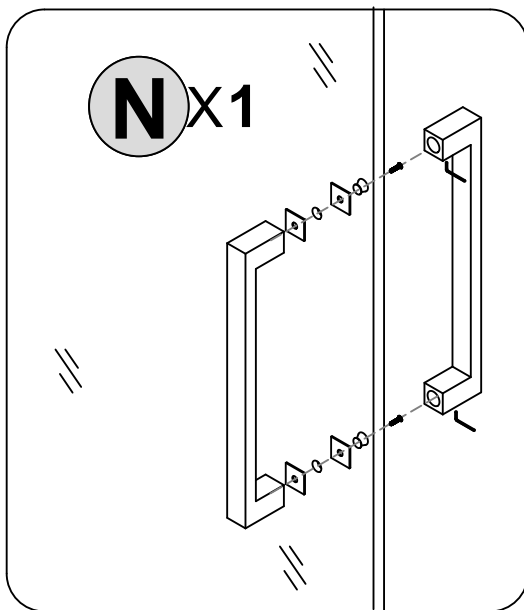
- 1. Attach **Wall Magnetic Strip (L)** to **Door Magnetic Strip (M)**.
- 2. Remove 3M backing from **Wall Magnetic Strip (L)**.
- 3. Slide **Sliding Panel (E2)** to align strip flush with the wall.
- 4. Open door and press strip firmly onto the wall.



**17** Install **Handle (N)**

**NOTE**

Mount **Handle (N)** on **Sliding Panel (E2)**.  
Use all plastic washers to protect the glass.

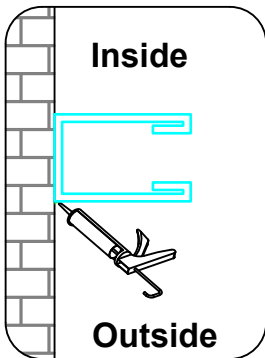


**18** SEALING

**NOTE** The surfaces need to be clean and free of debris before applying silicone.

**NOTE** Make sure the shower door is tightly closed and opens smoothly. Apply high-quality asbestos sealant along the bottom of the fixed glass and the bottom of the lower water barrier.

**!** Allow 24 hours for the silicone to cure before using the shower.



**!** Apply Silicone Sealant, (not supplied).

Apply silicone around the fixed glass and the lower water barrier.

