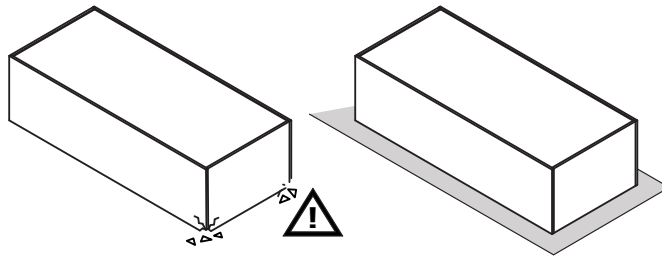
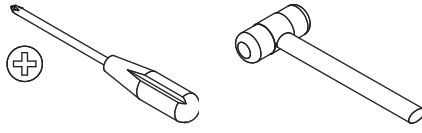
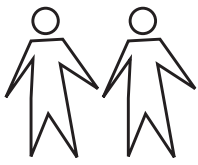


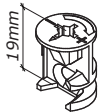
74,5
178
69



BU2997



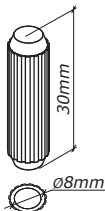
T7
x4



T97
x6



T28
x10



H1
x10



G144
x4



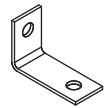
G145
x4



G142
x10



V10
x6



H141
x3



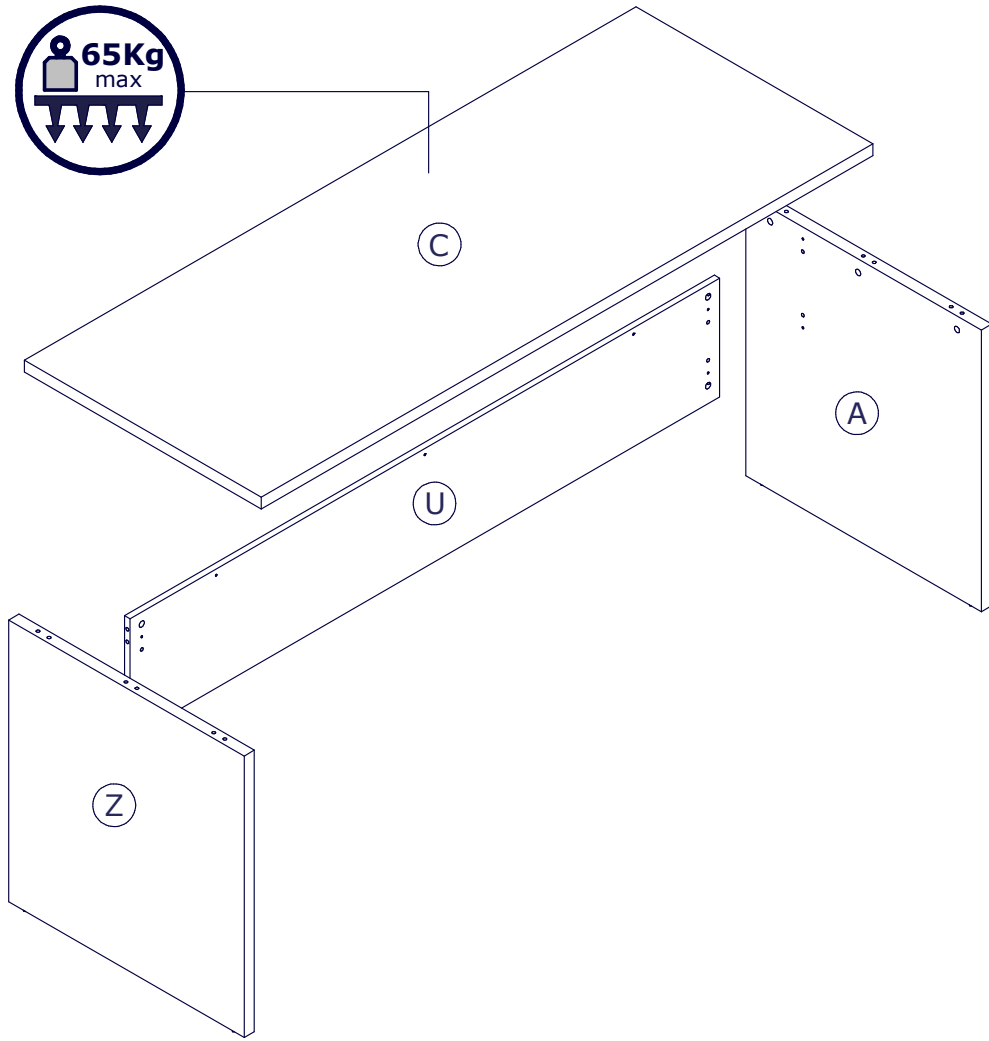
P39
x4



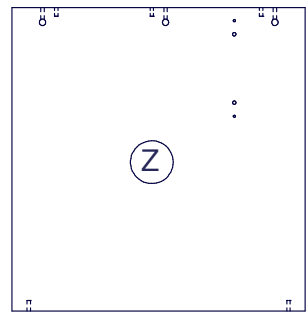
T102
x4



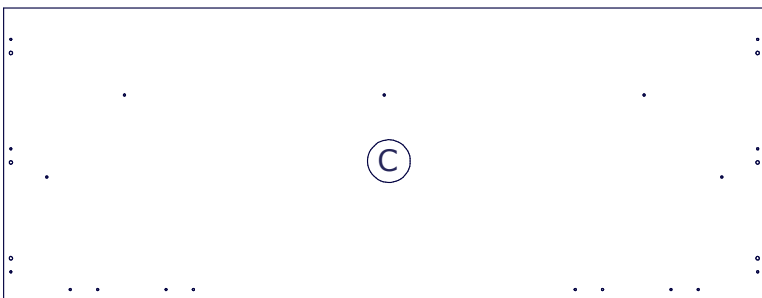
H218
x1



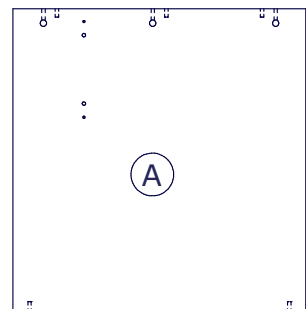
• **FS2327**
1718x300x16mm



• **FI6939**
710x686x30mm

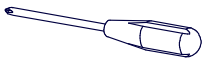


• **CA2826**
1782x690x30mm

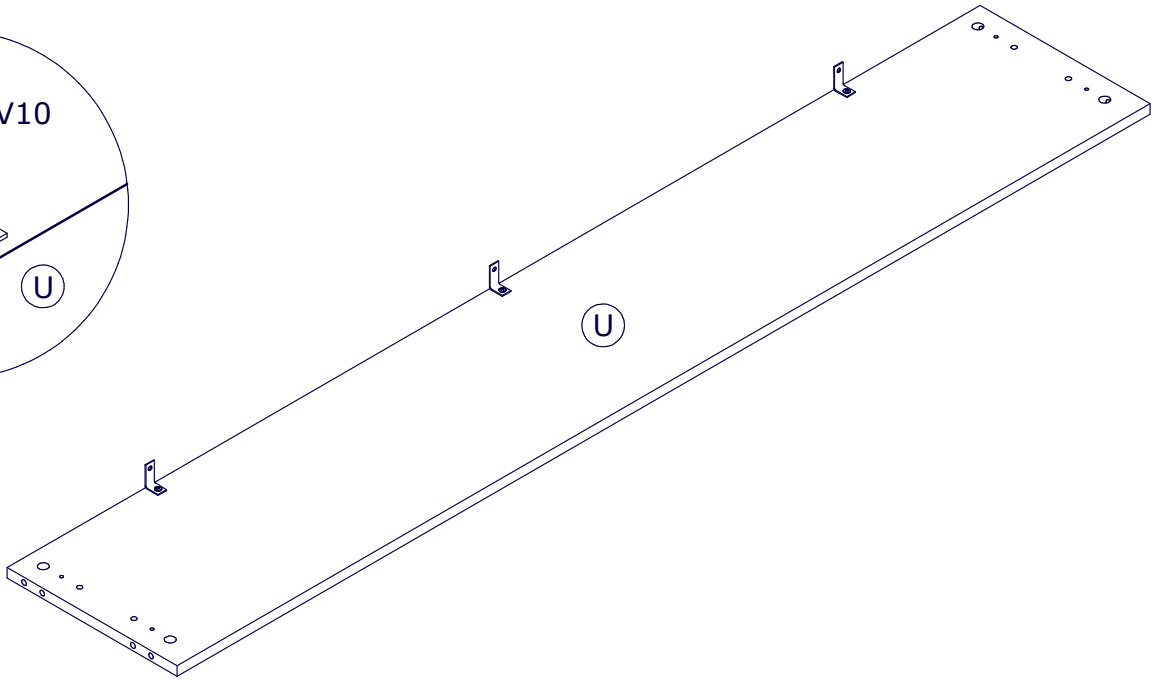
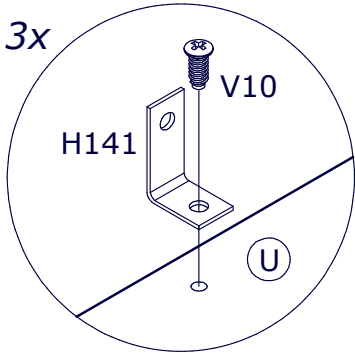


• **FI6938**
710x686x30mm

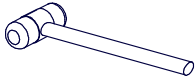
1



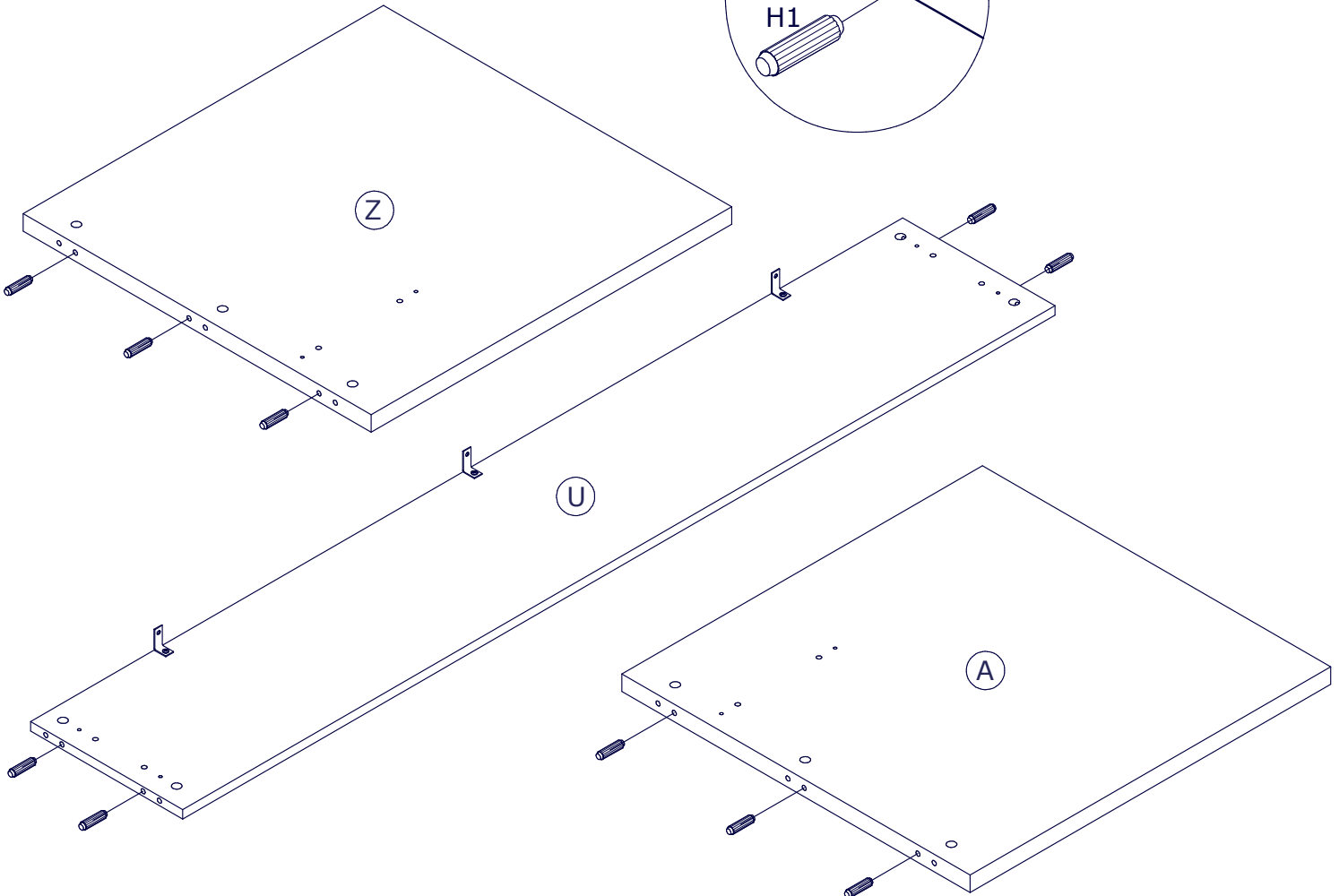
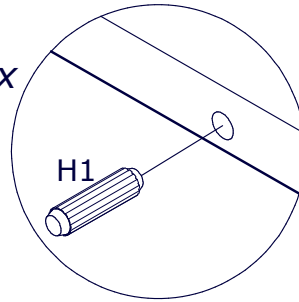
3x



2



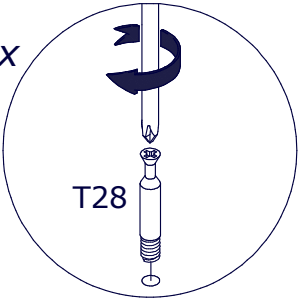
10x



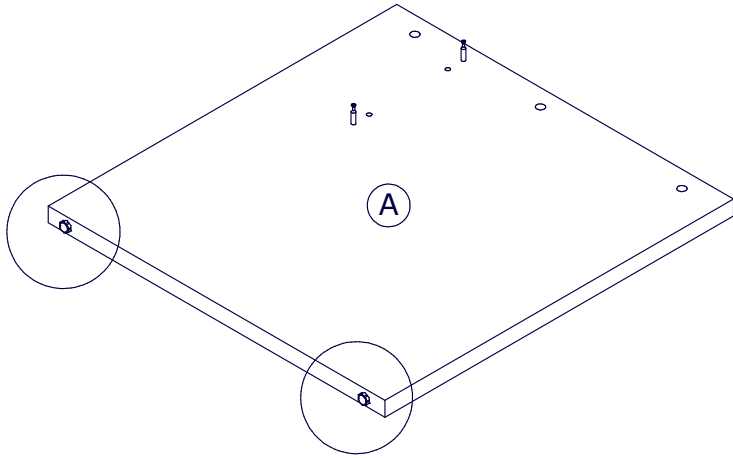
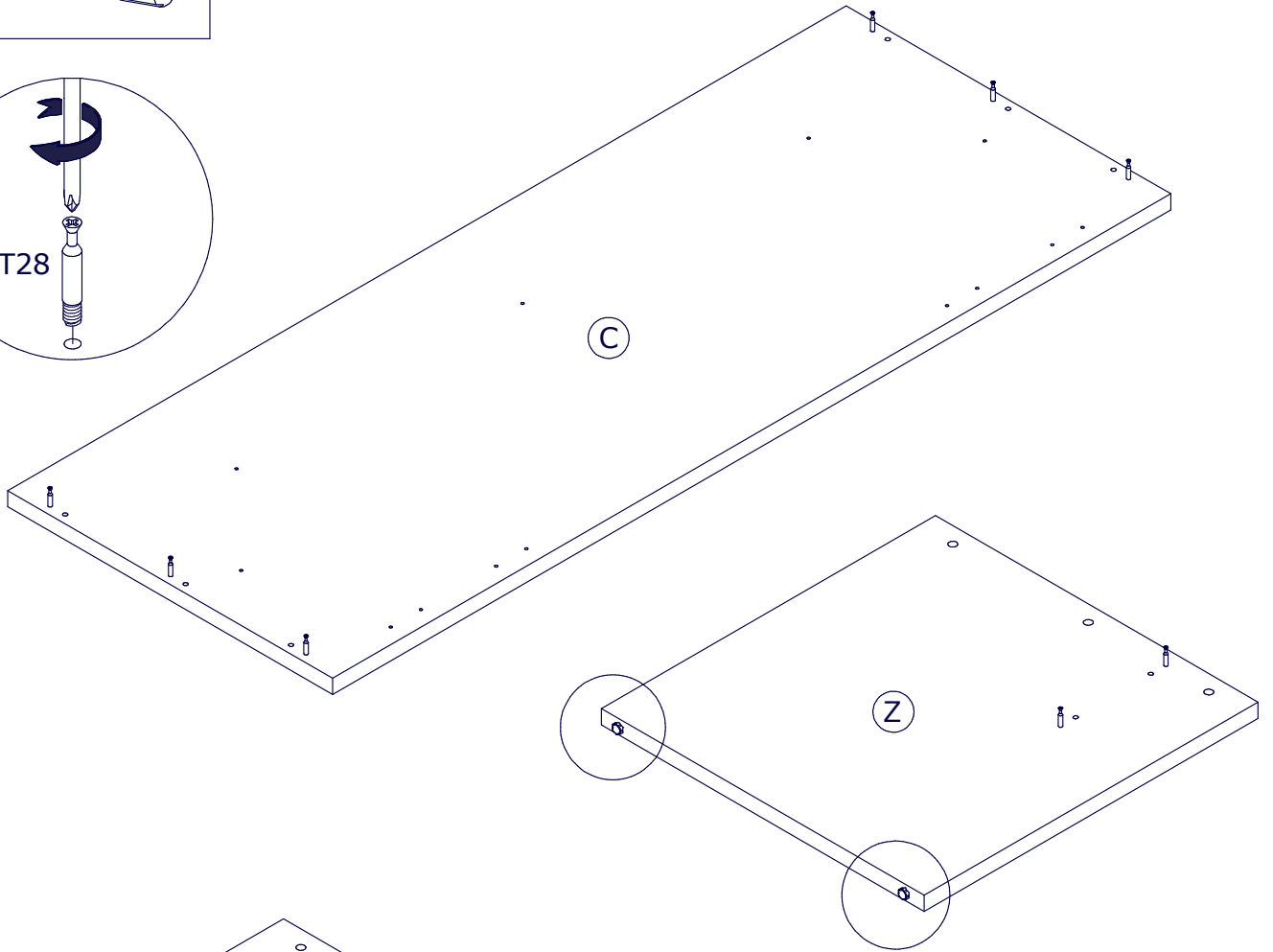
3



10x

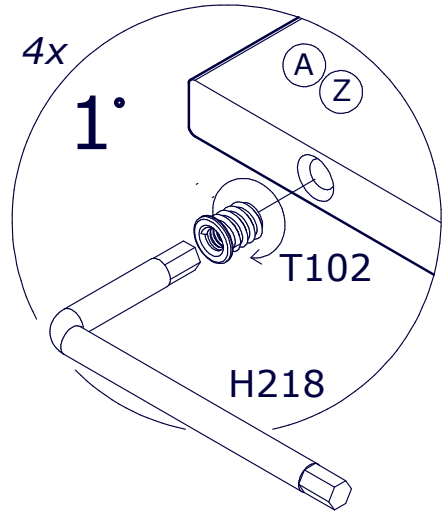


T28



4x

1°

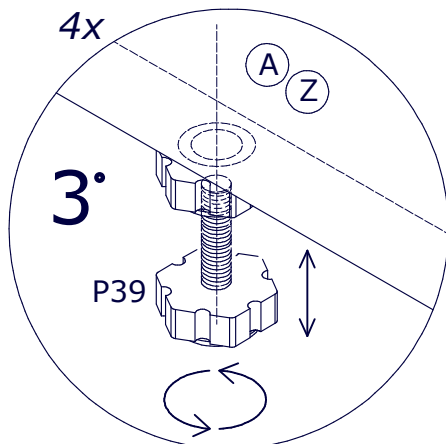


T102

H218

4x

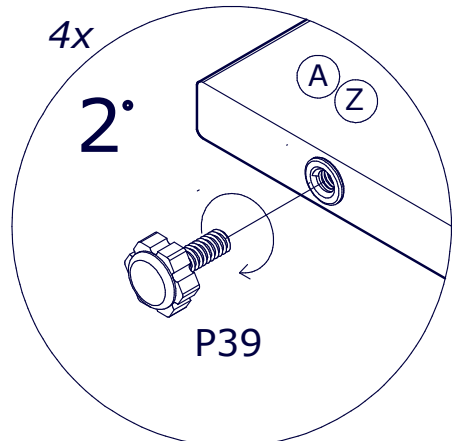
3°



P39

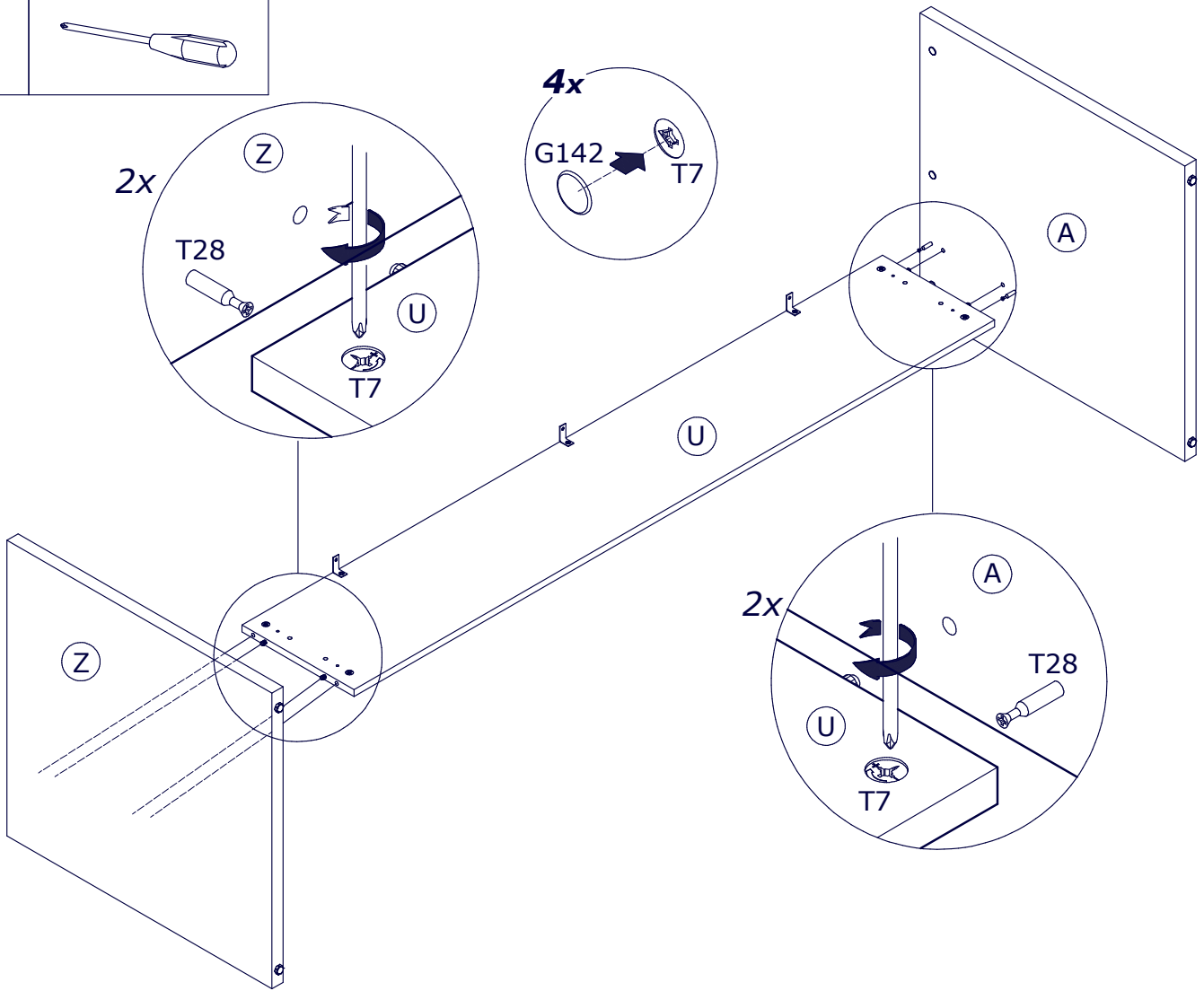
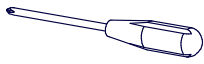
4x

2°

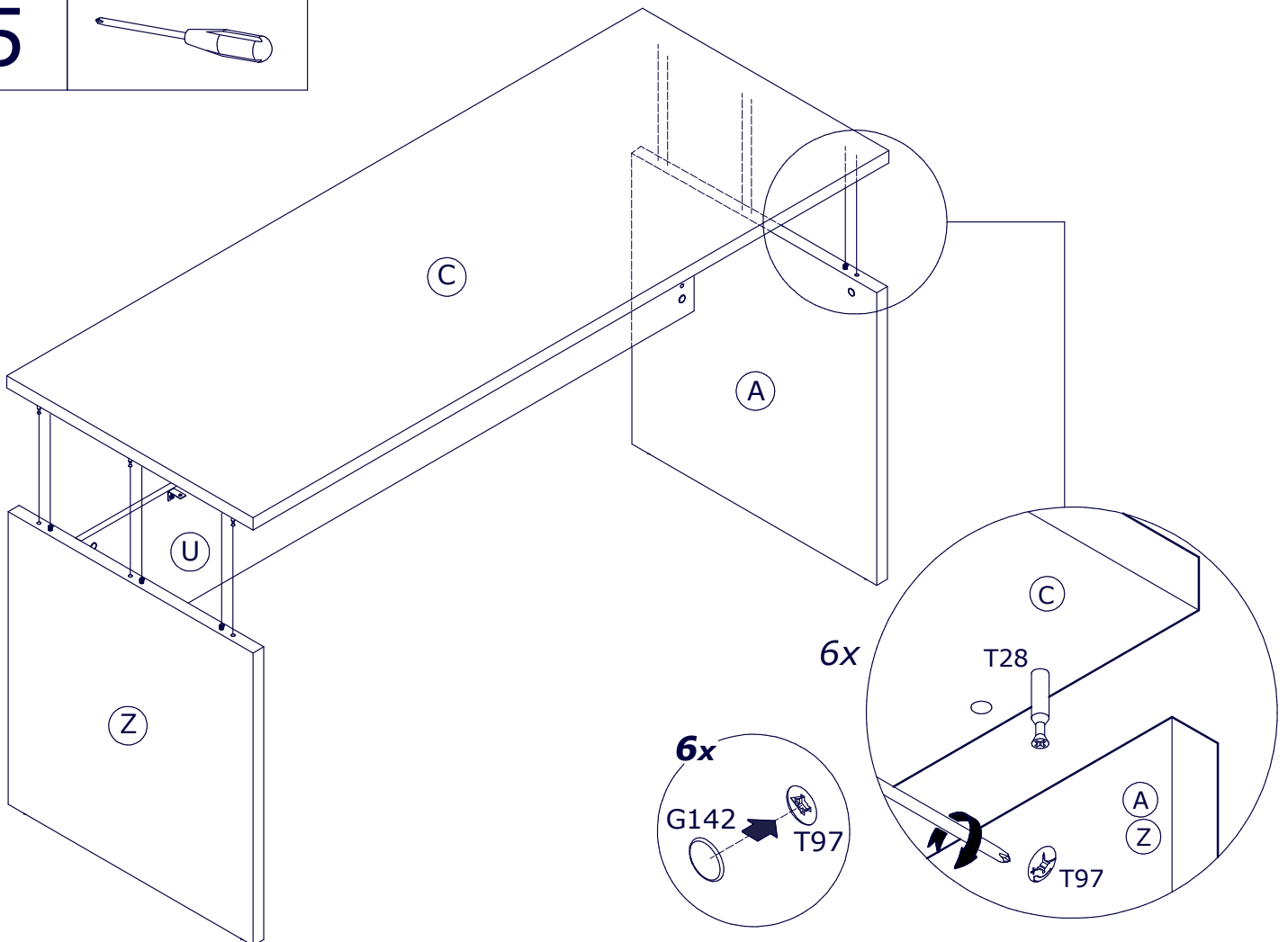
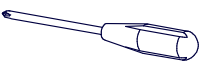


P39

4



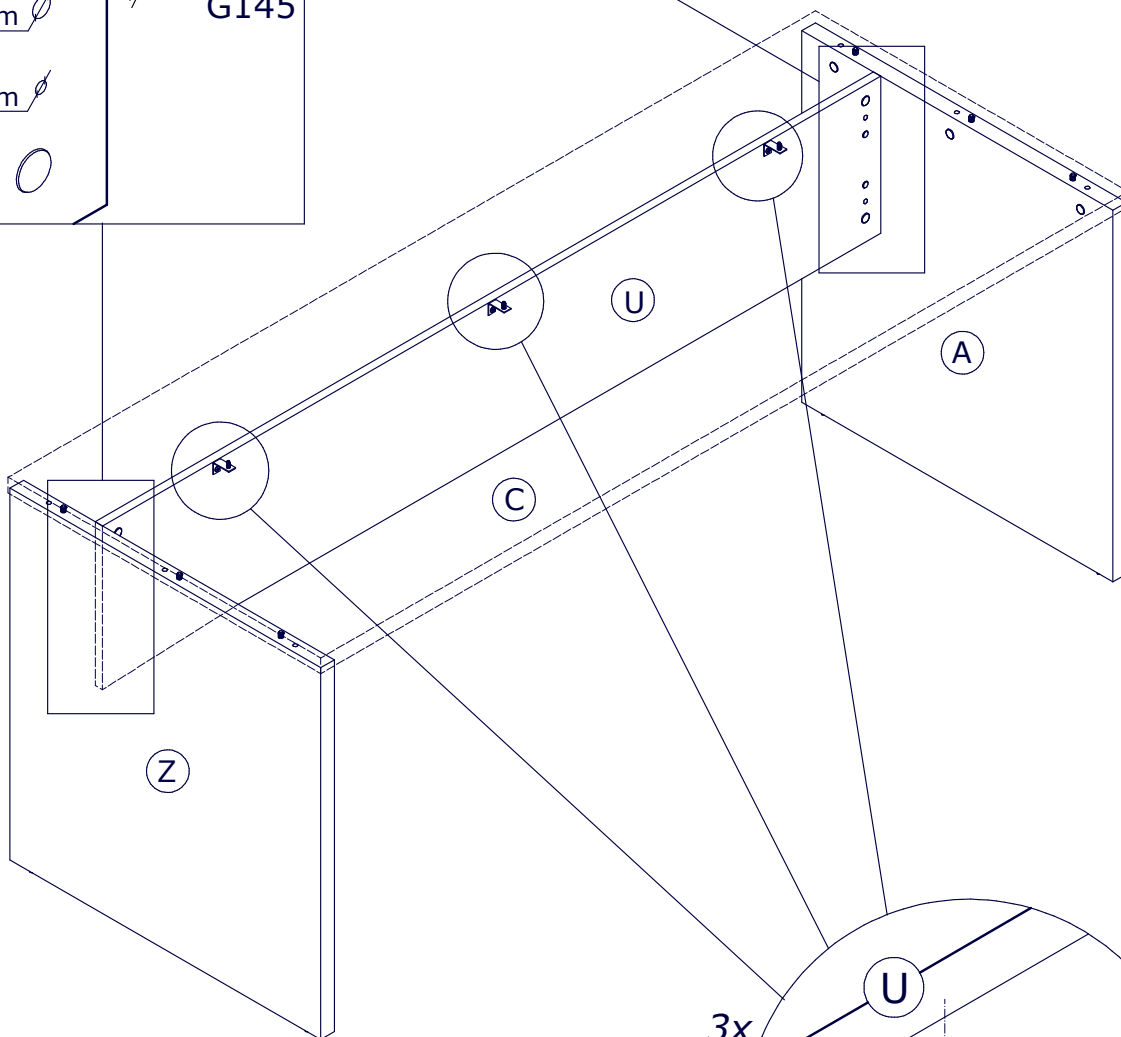
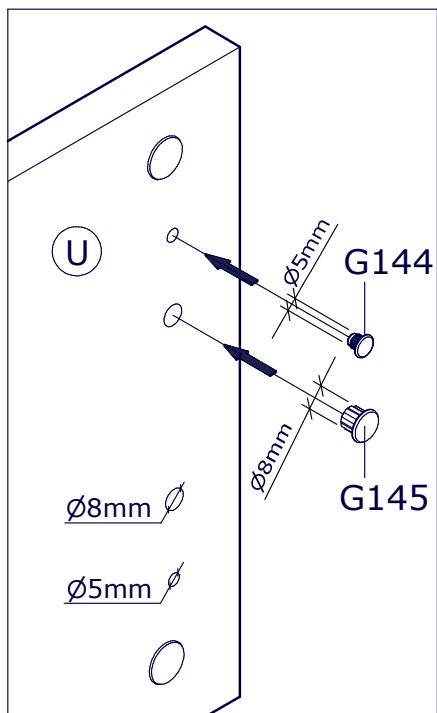
5



6



2x



3x

