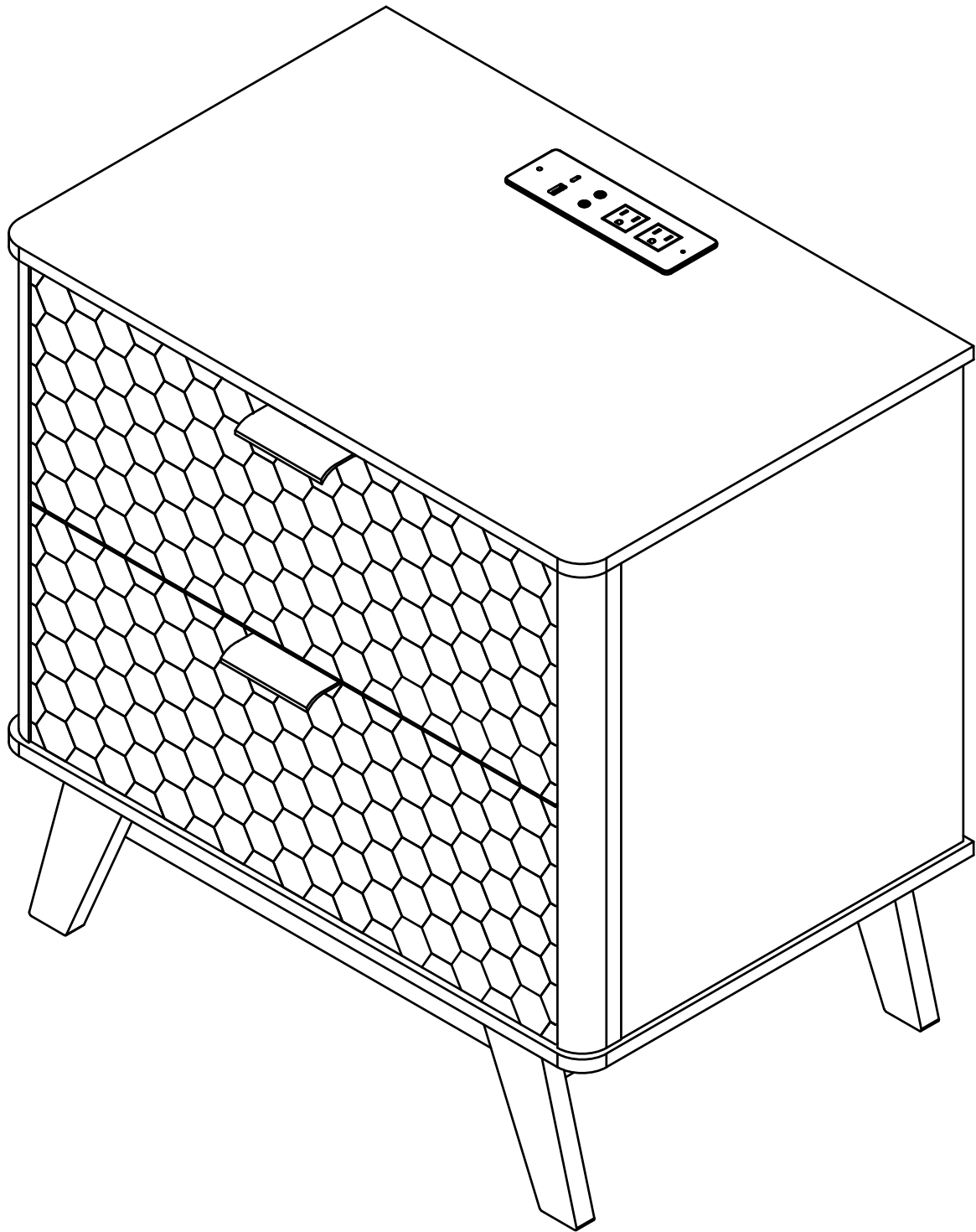
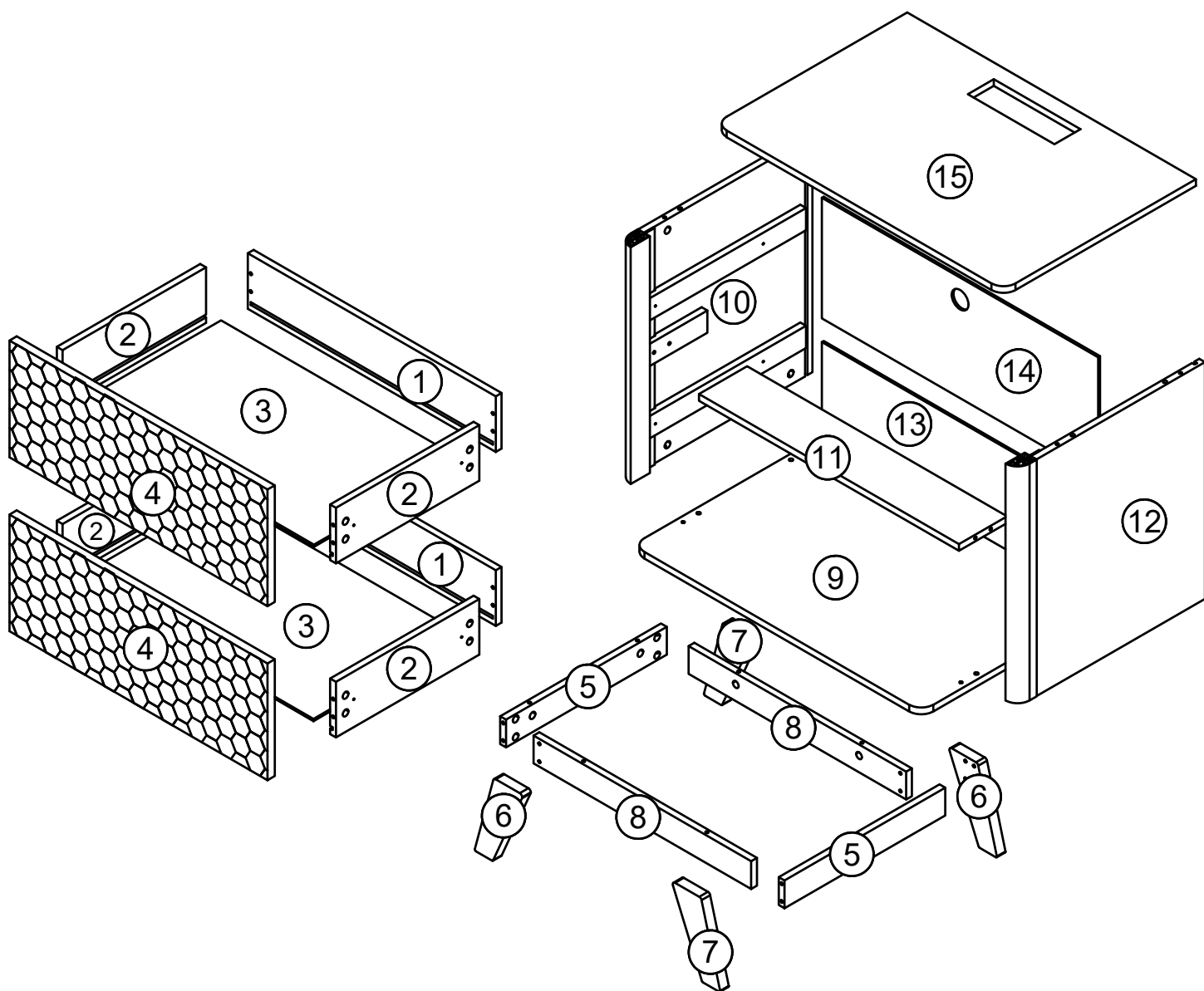
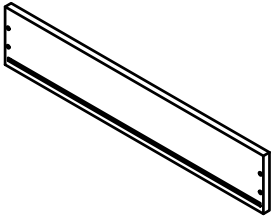


Product Installation Instructions

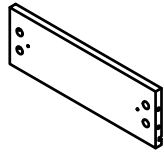


Product structure decomposition

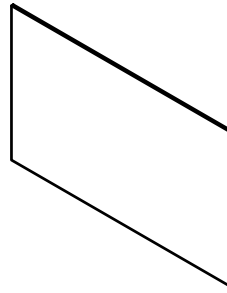




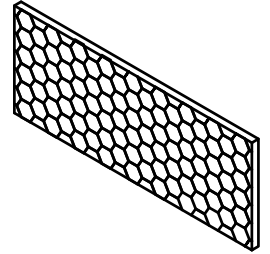
1x2



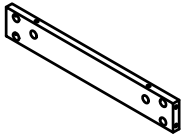
2x4



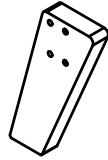
3x2



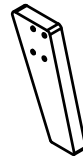
4x2



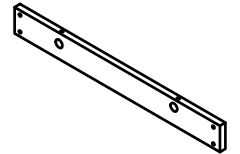
5x2



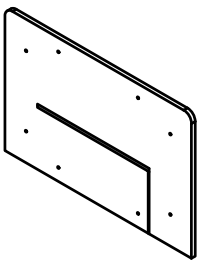
6x2



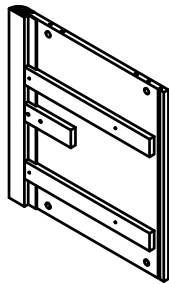
7x2



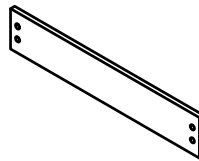
8x2



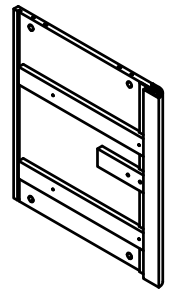
9x1



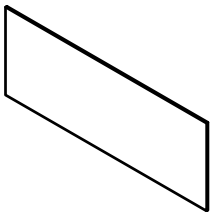
10x1



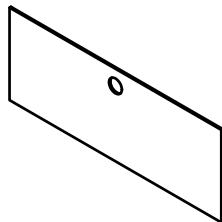
11x1



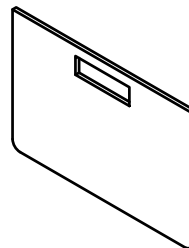
12x1



13x1

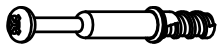

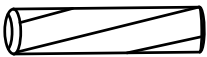
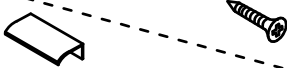

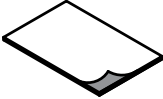

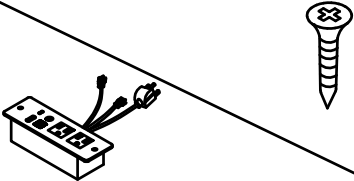



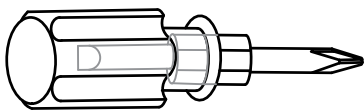
14x1



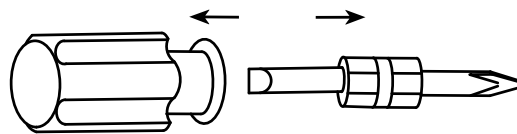
15x1

Accessories list

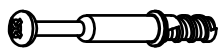
A		Two In One Screw (6x28mm)	44pcs +3pcs
B		Two In One Nut (10x12mm)	44pcs +3pcs
C		Wood Chipping (6x30mm)	8pcs +1pcs
D		Handle & Screw (3.5x10mm)	4pcs +2pcs 2pcs
E		Screw & Guide(12inch) (3x12mm)	20pcs +5pcs 4pcs
F		Non-slip pads	4pcs
G		Confirmat Screws (7x28mm)	8pcs
H		Power Socket & Screw (3x10mm)	2pcs 1pcs
I		Fixing clip & screw (3x16mm)	4pcs +2pcs



1pcs



Double-head screwdriver, use as required

A

16 pcs

B

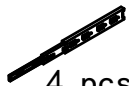
16 pcs

D

2 pcs



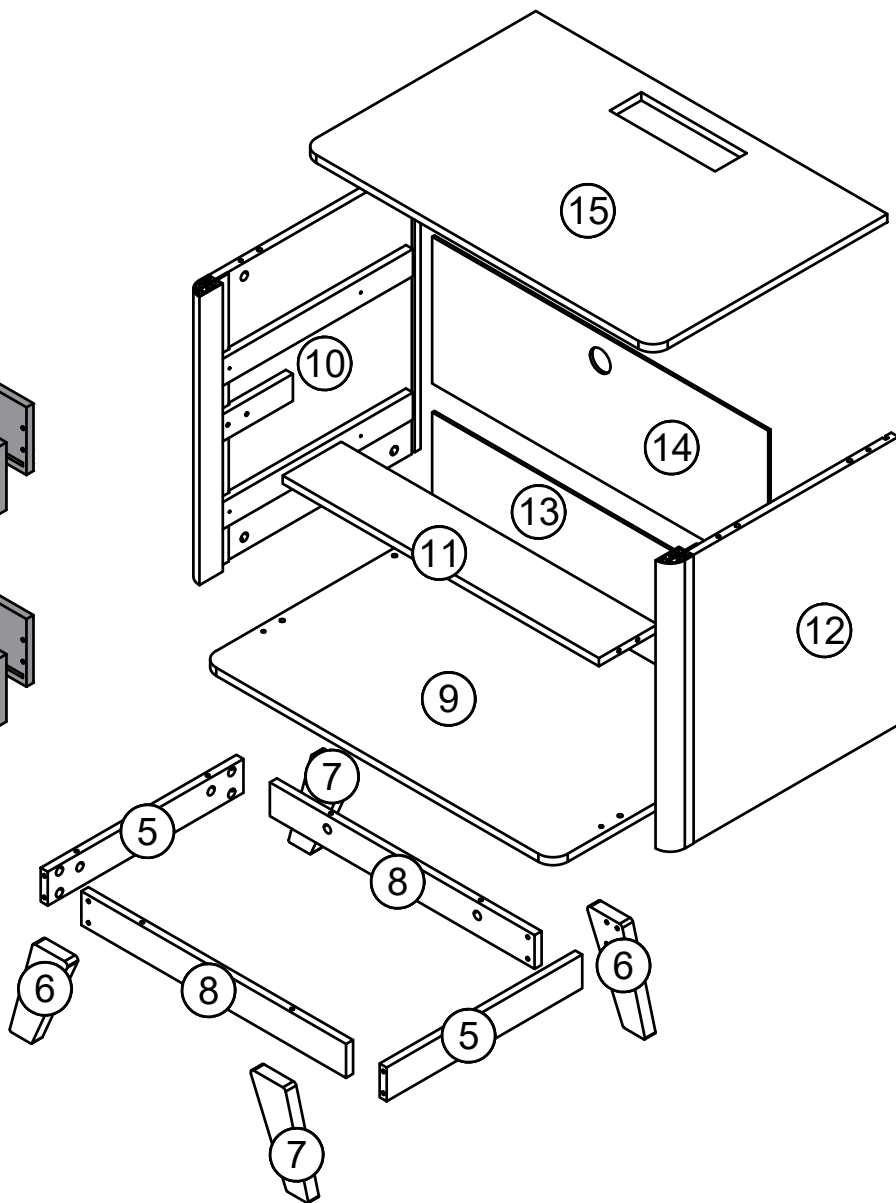
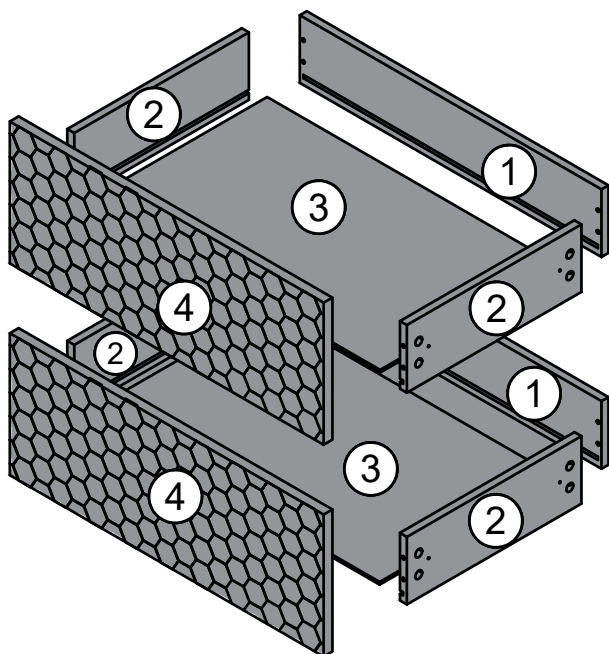
4 pcs

E

4 pcs

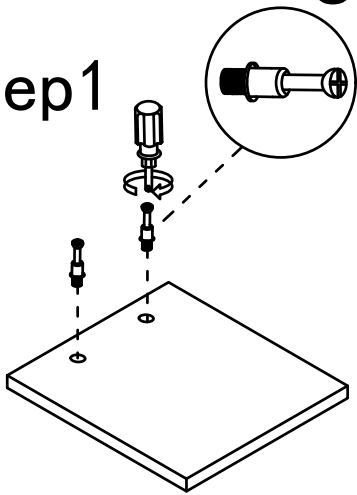


8 pcs

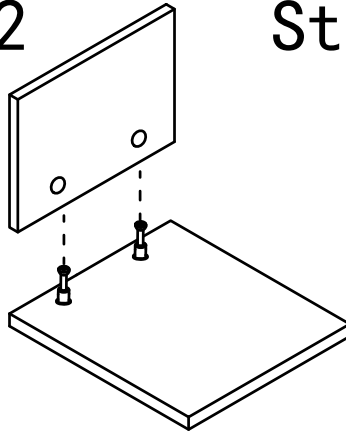


Use parts (A) and (B)

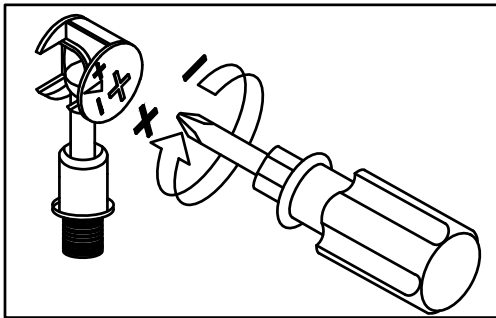
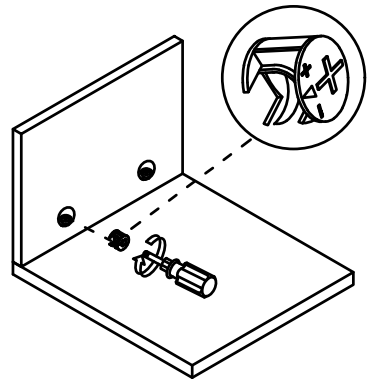
Step1



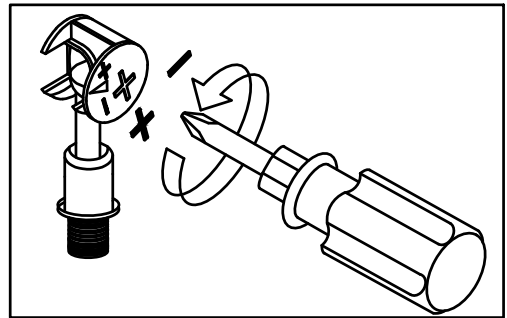
Step2



Step3

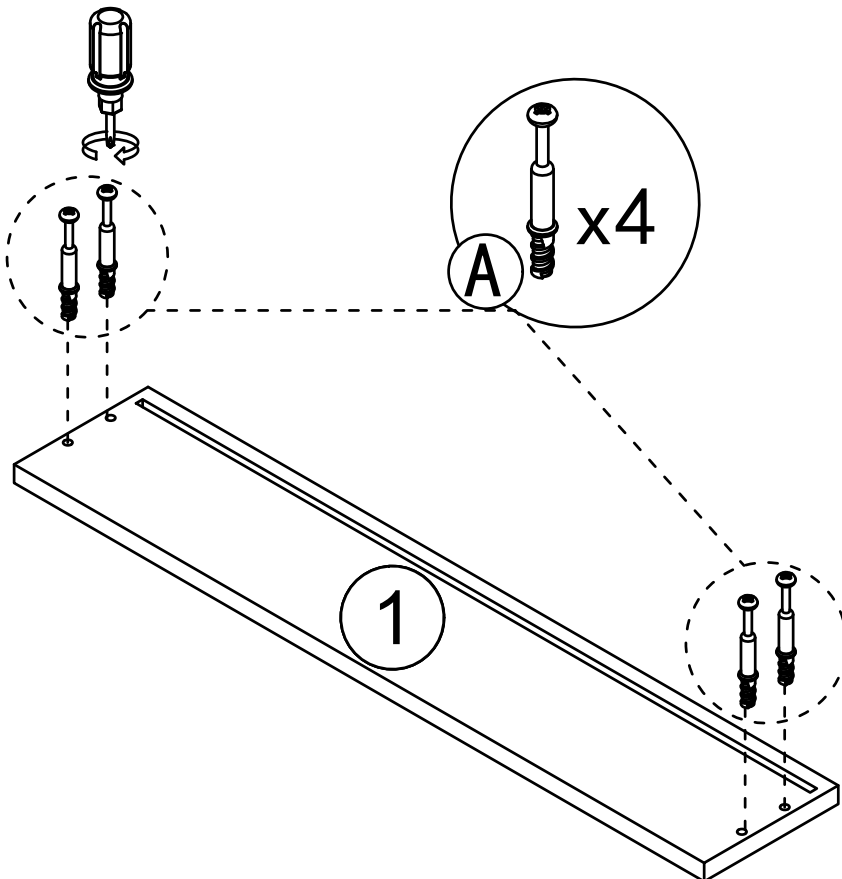
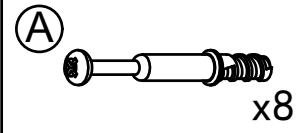


Use a screwdriver to lock in the direction of the "+" sign



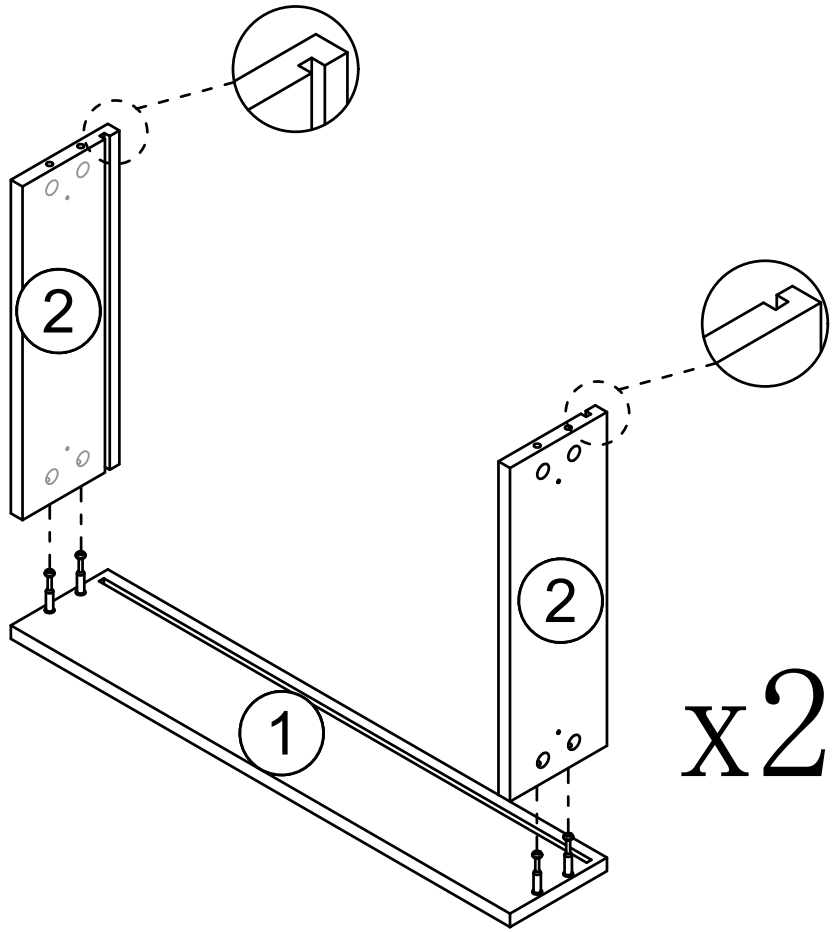
Disassemble along the direction of "-" sign

Step 1



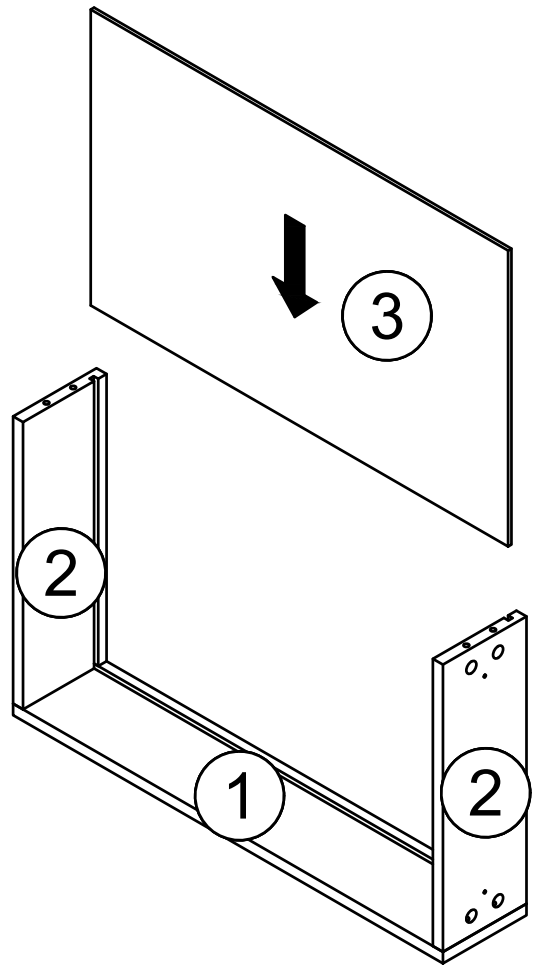
5

Step 2



x2

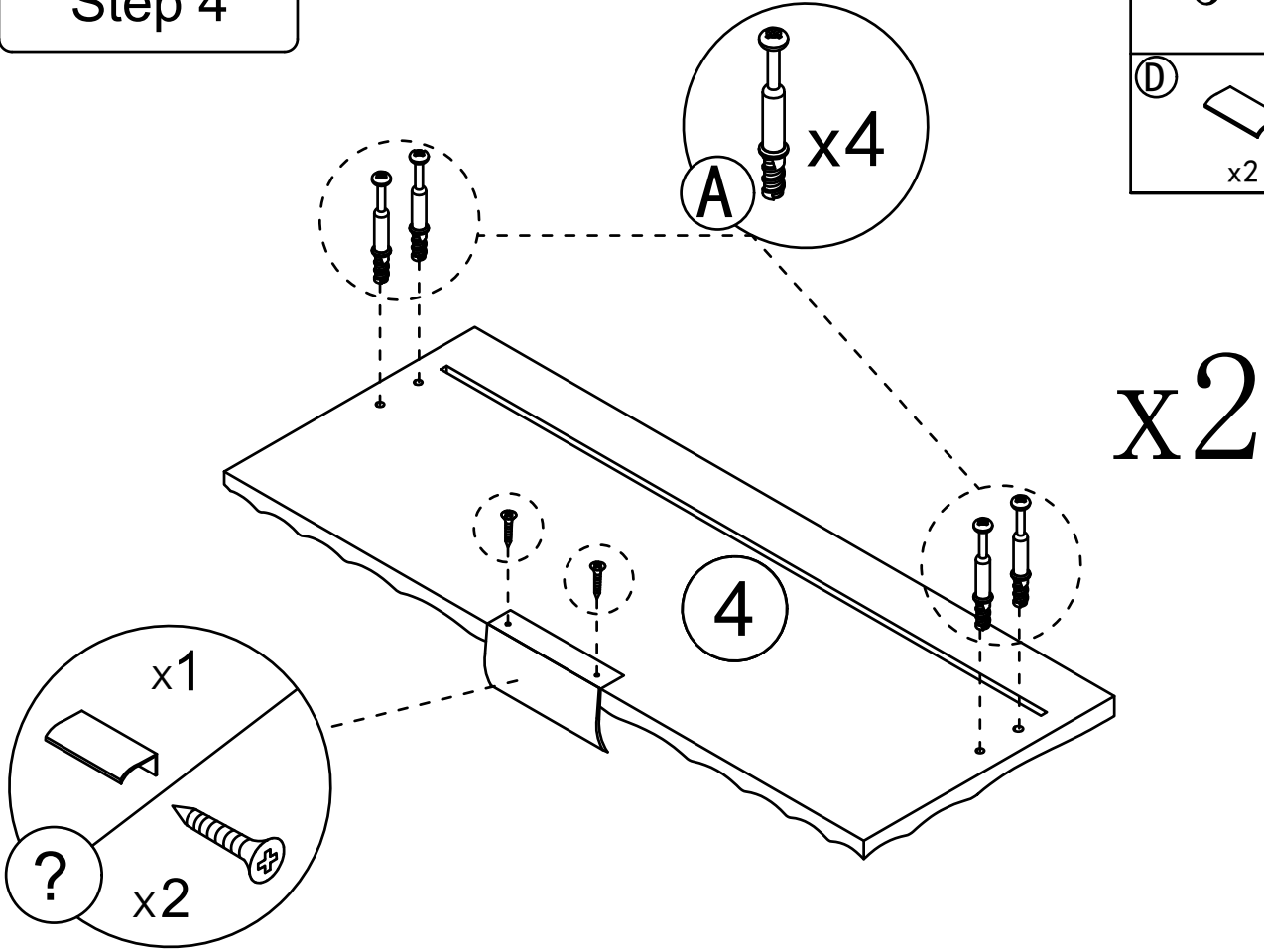
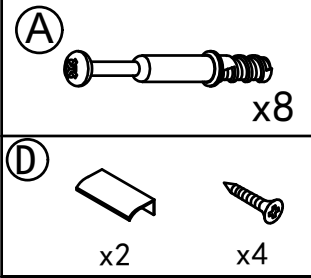
Step 3



x2

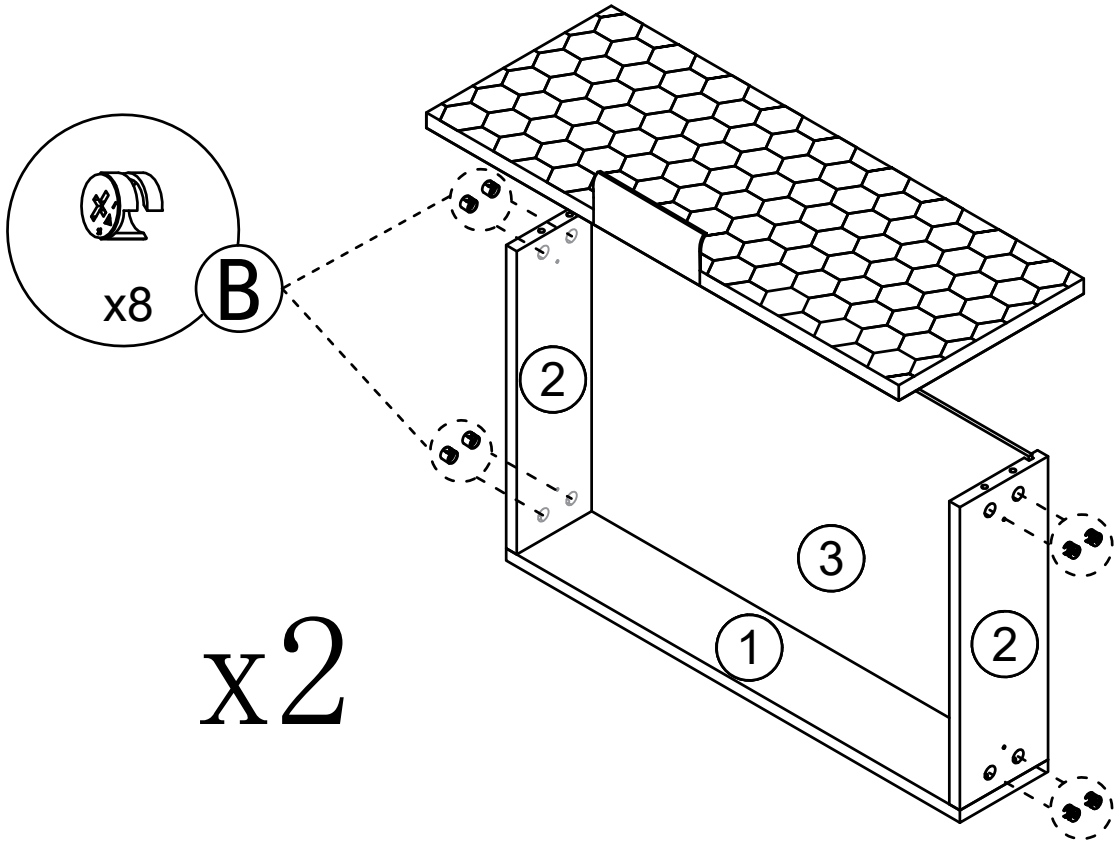
6

Step 4



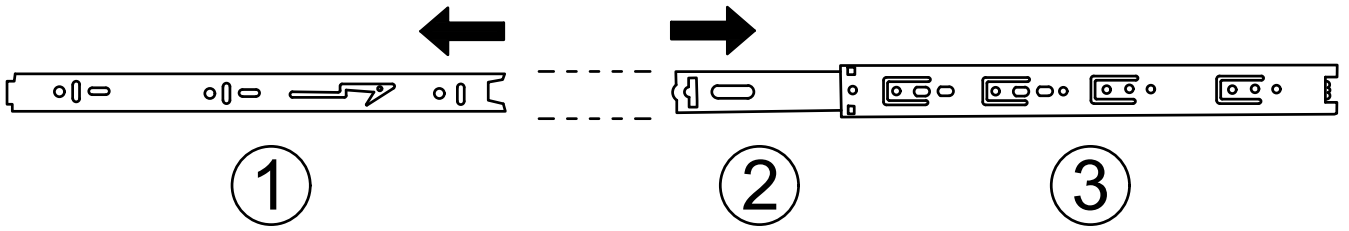
x2

Step 5



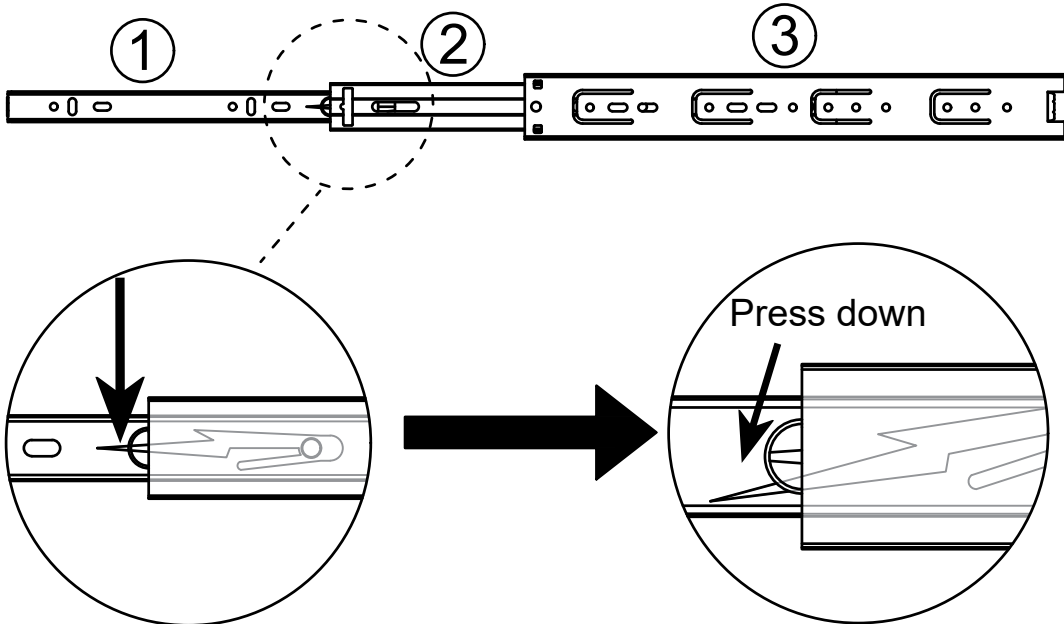
x2

Drawer rail breakdown diagram



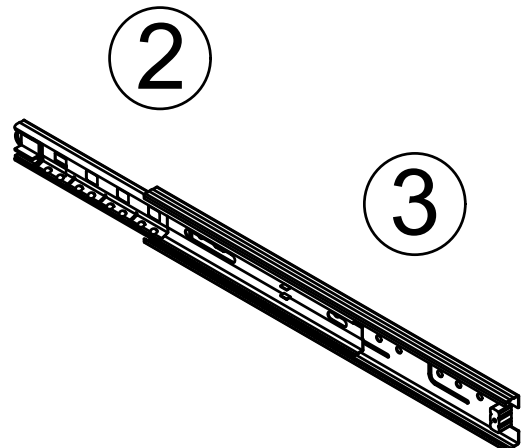
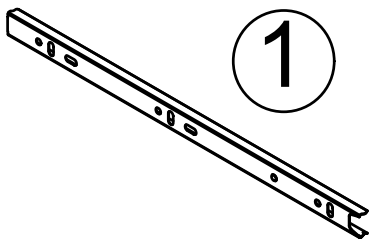
① Dismantle the schematic diagram

Step 1 : Pull the rails apart

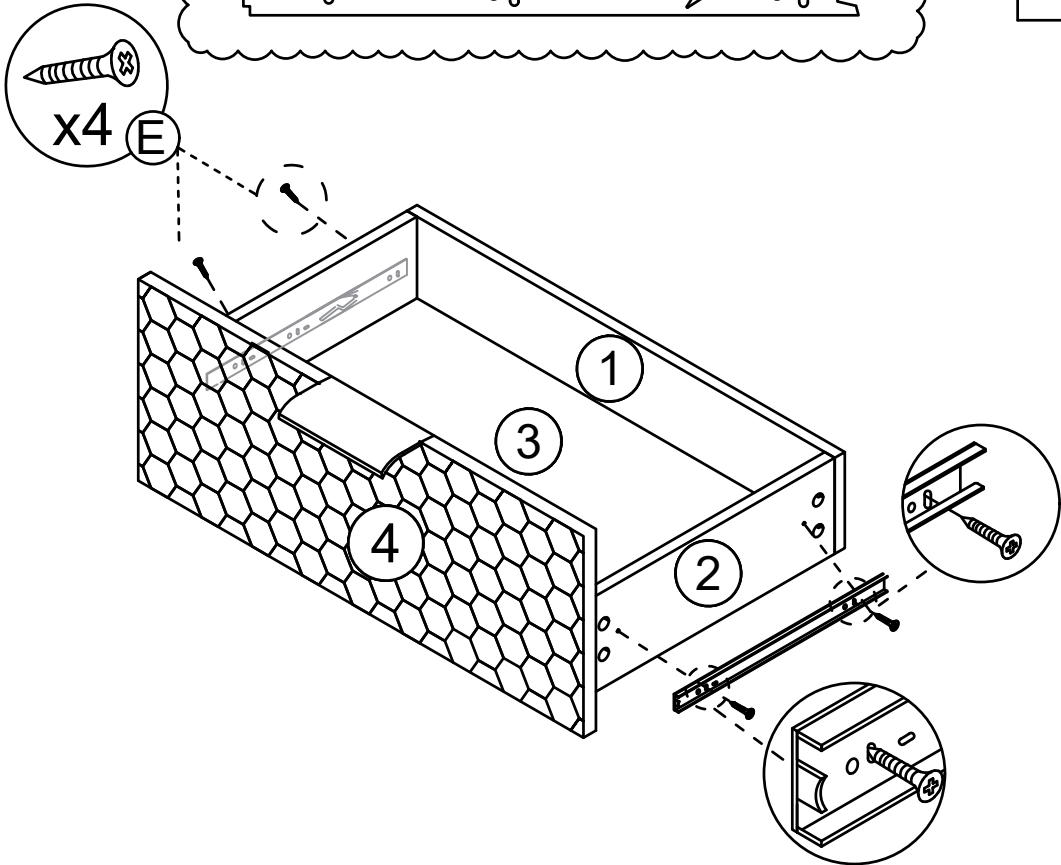
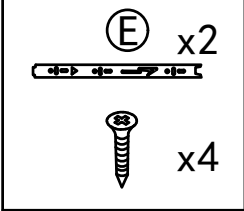
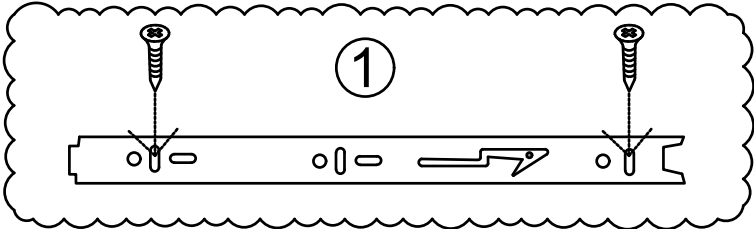


Step 2 : Press the nylon button and pull out ①.

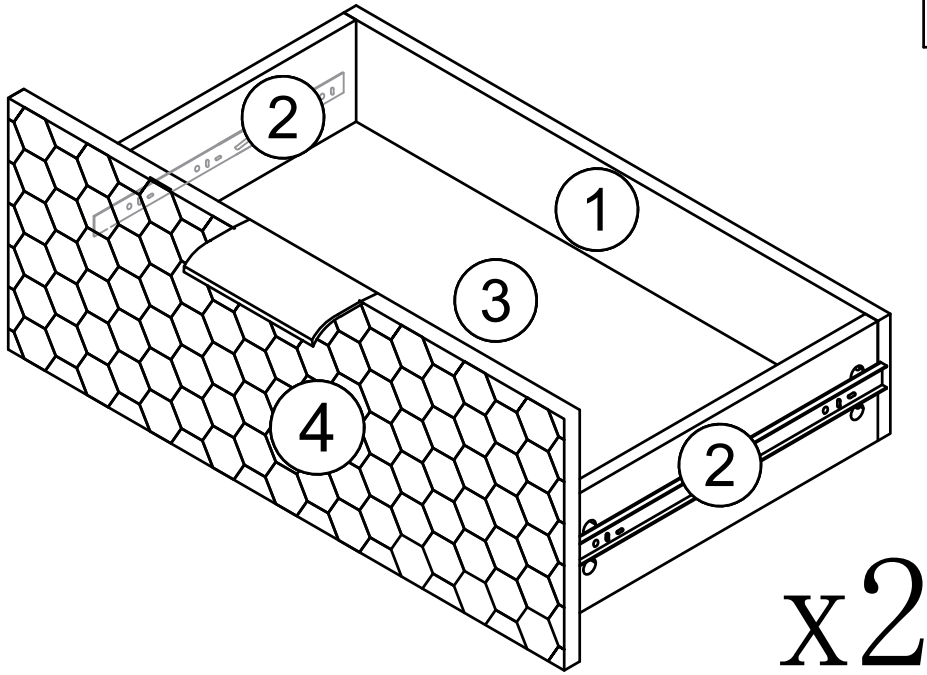
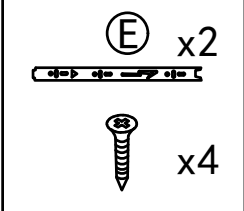
Drawer rail decomposition completed schematic diagram



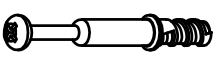

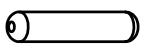





Step 6

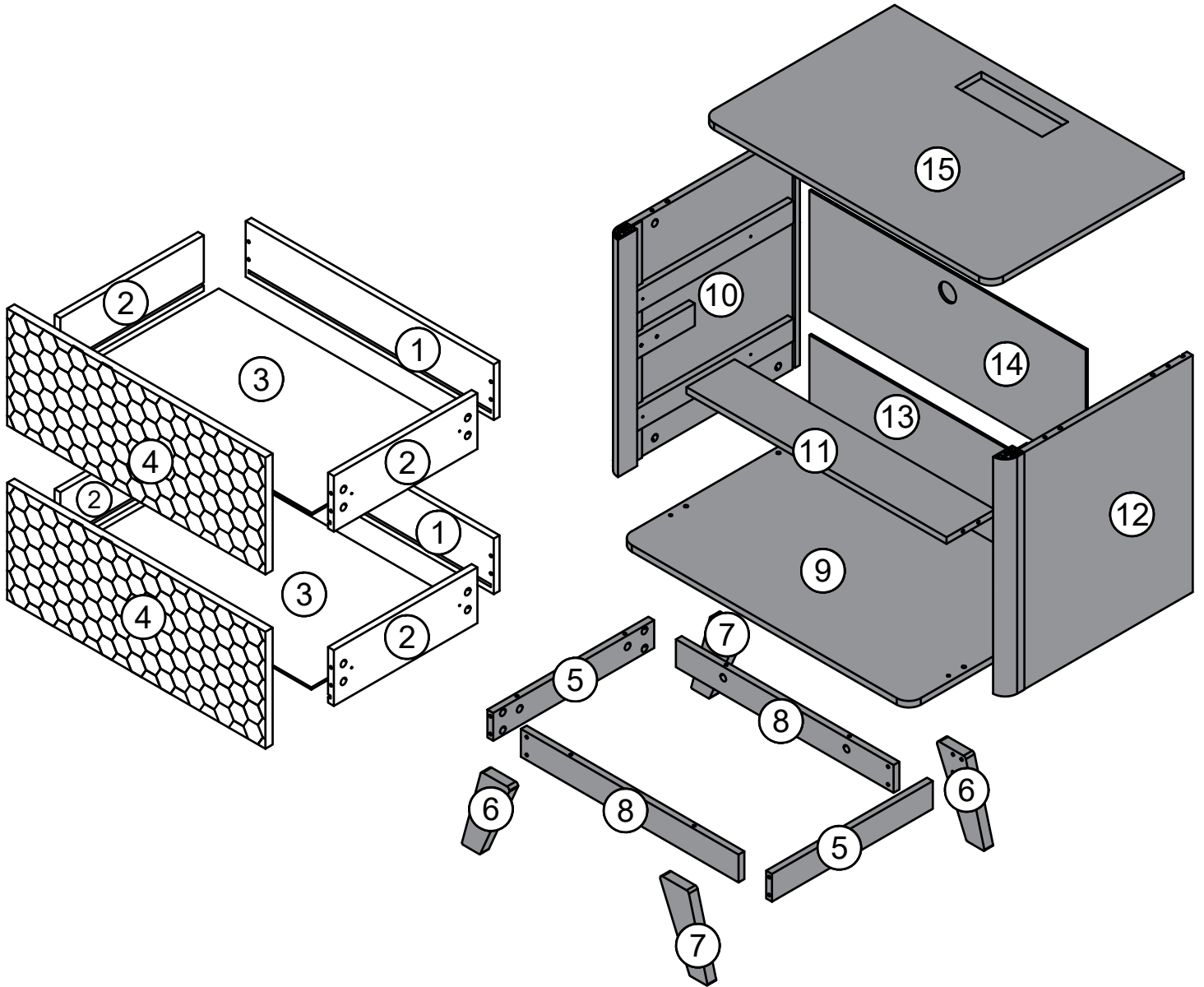


Step 7

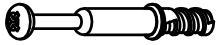



Repeat the drawer installation steps

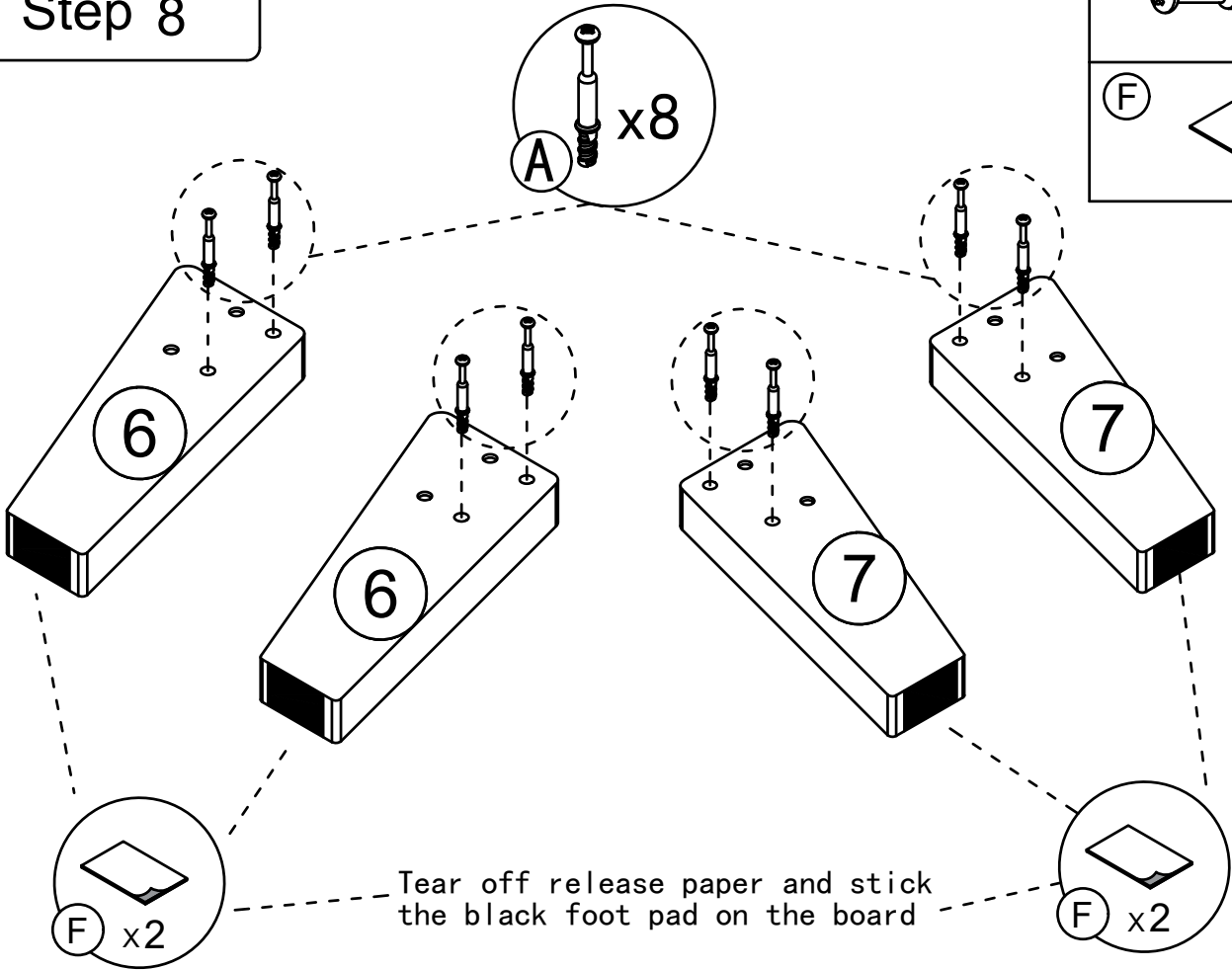
A		28 pcs	B		28 pcs	C		8 pcs
E		4 pcs	F		12 pcs	G		4 pcs
H		1 pcs	I		4 pcs			




Step 8

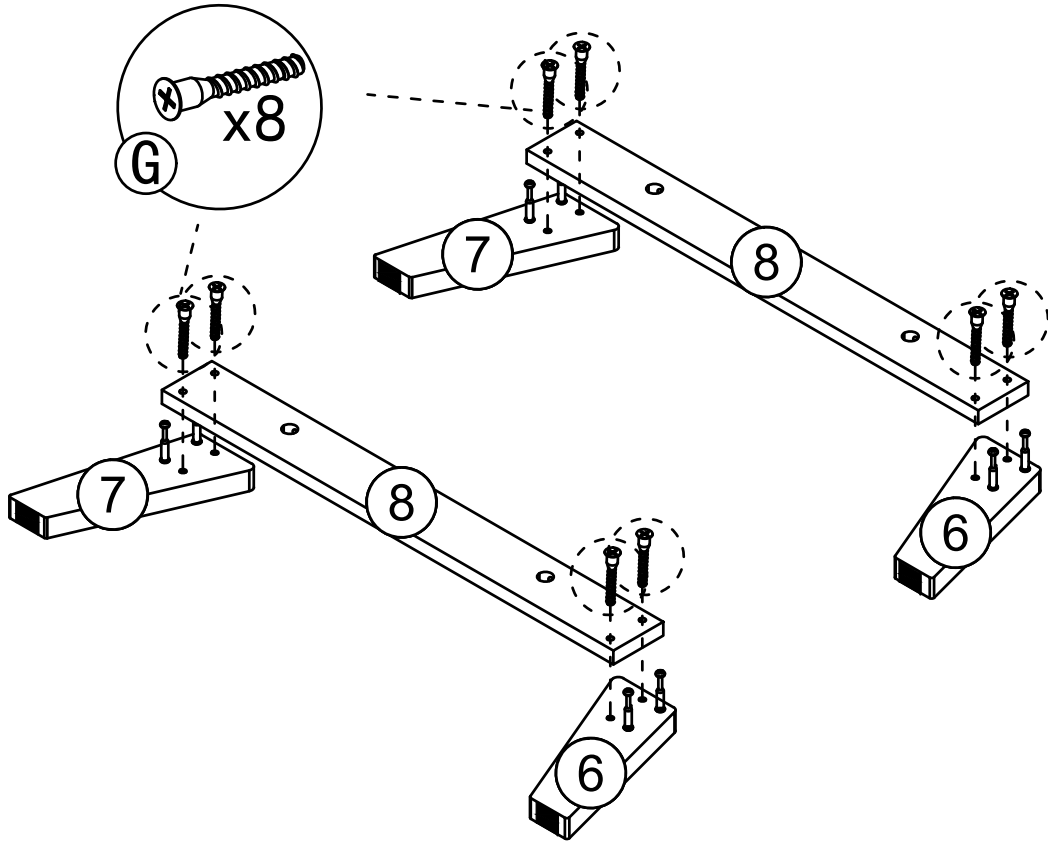
(A)  x8

(F)  x4

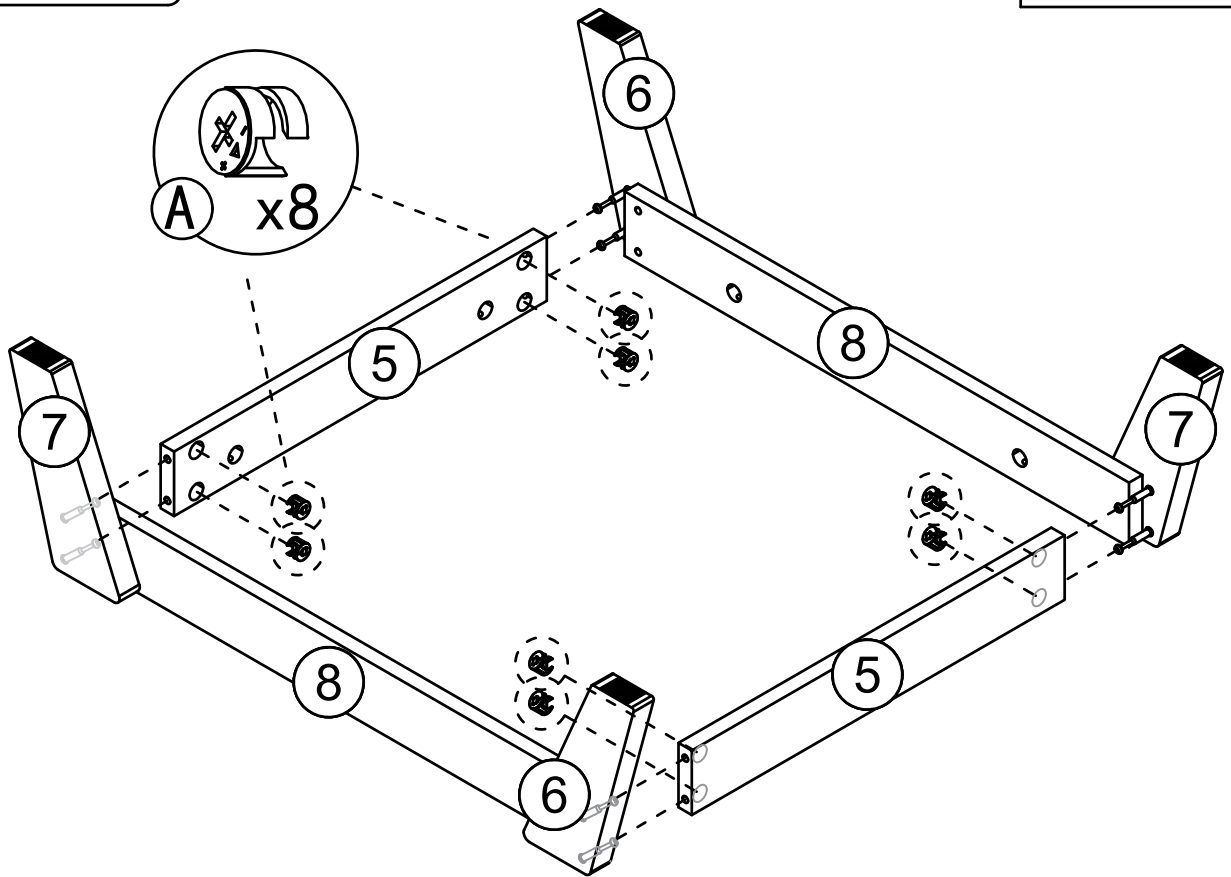


Step 9

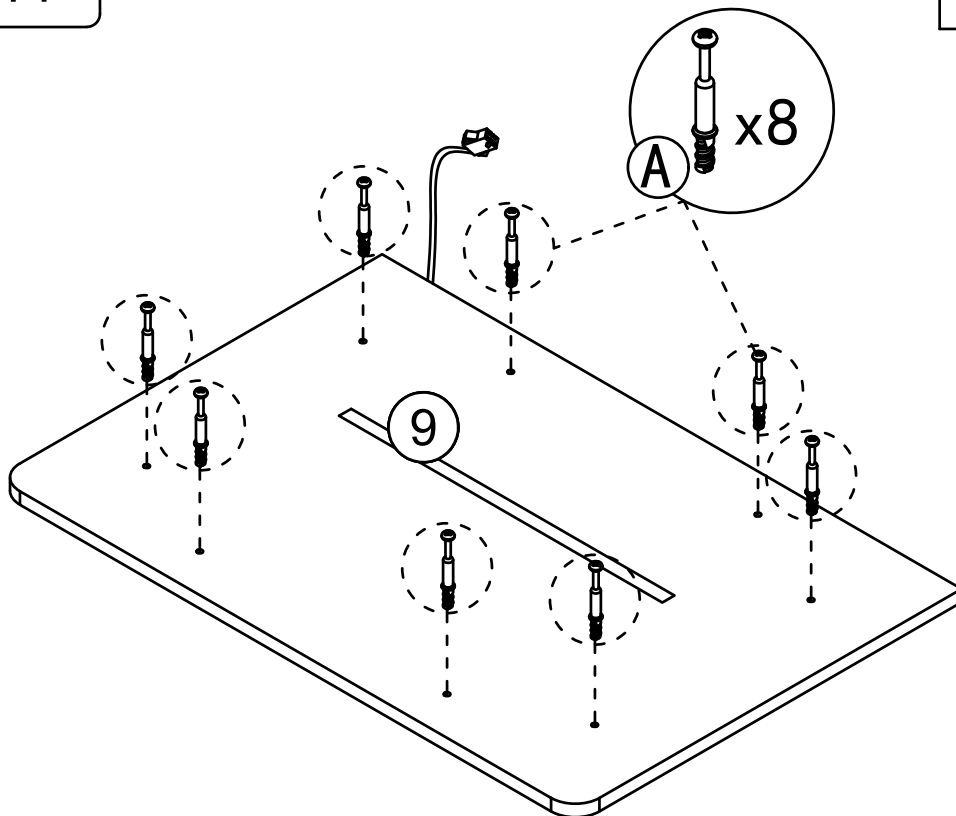
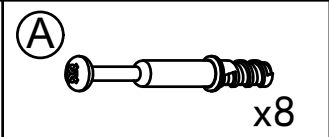
(G)  x8



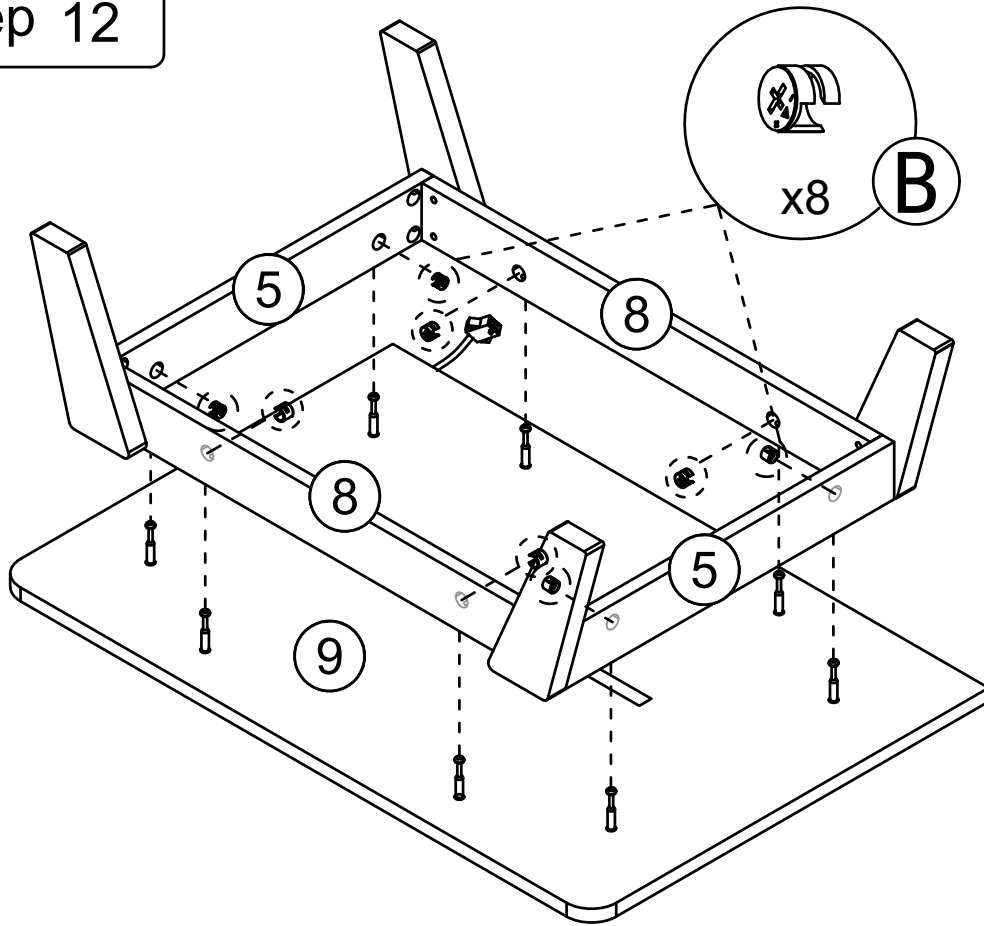
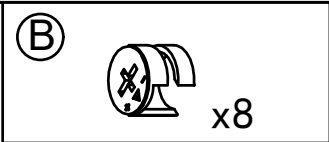
Step 10



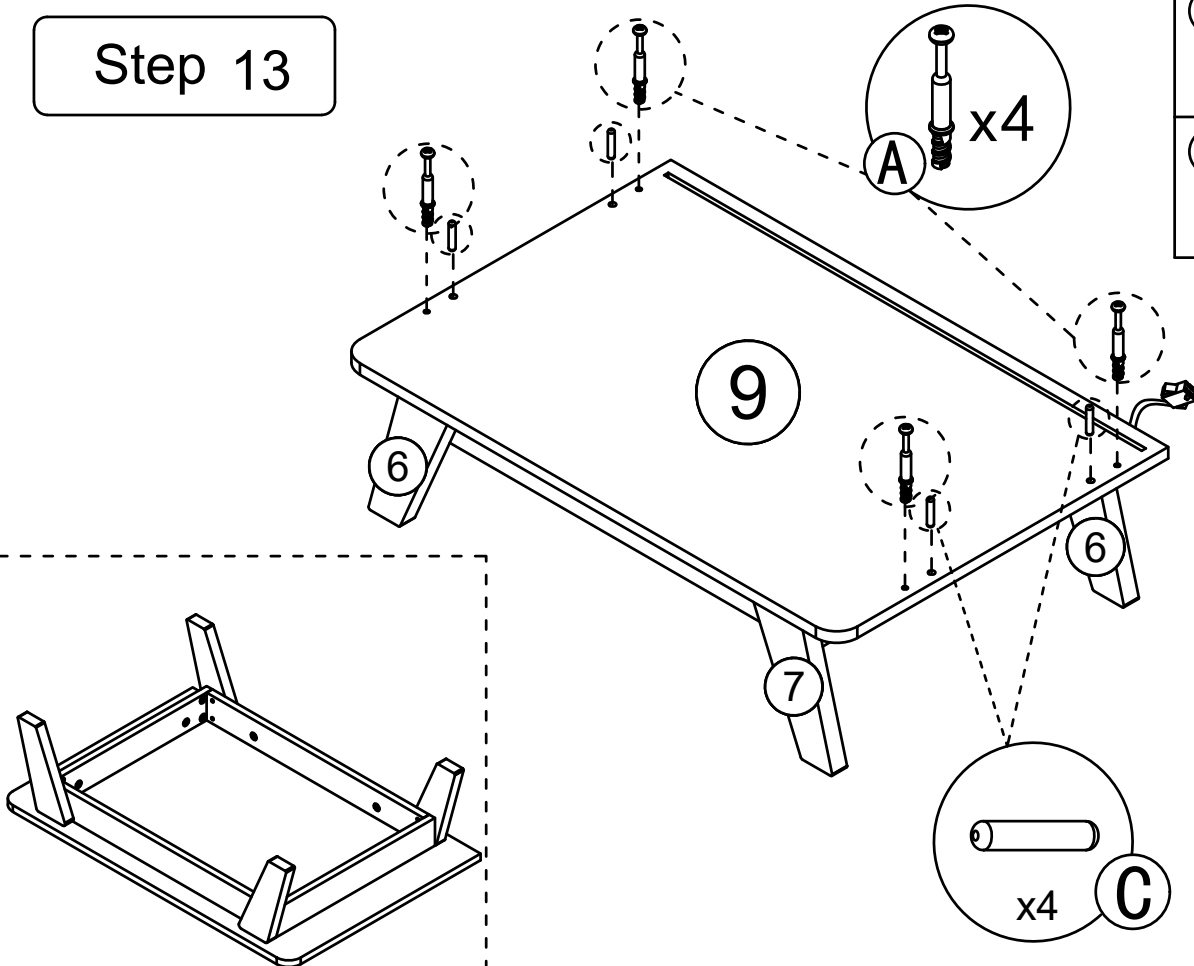
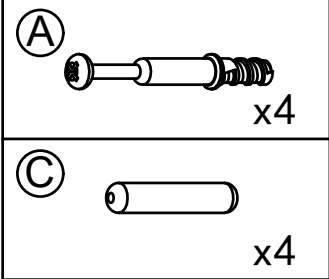
Step 11



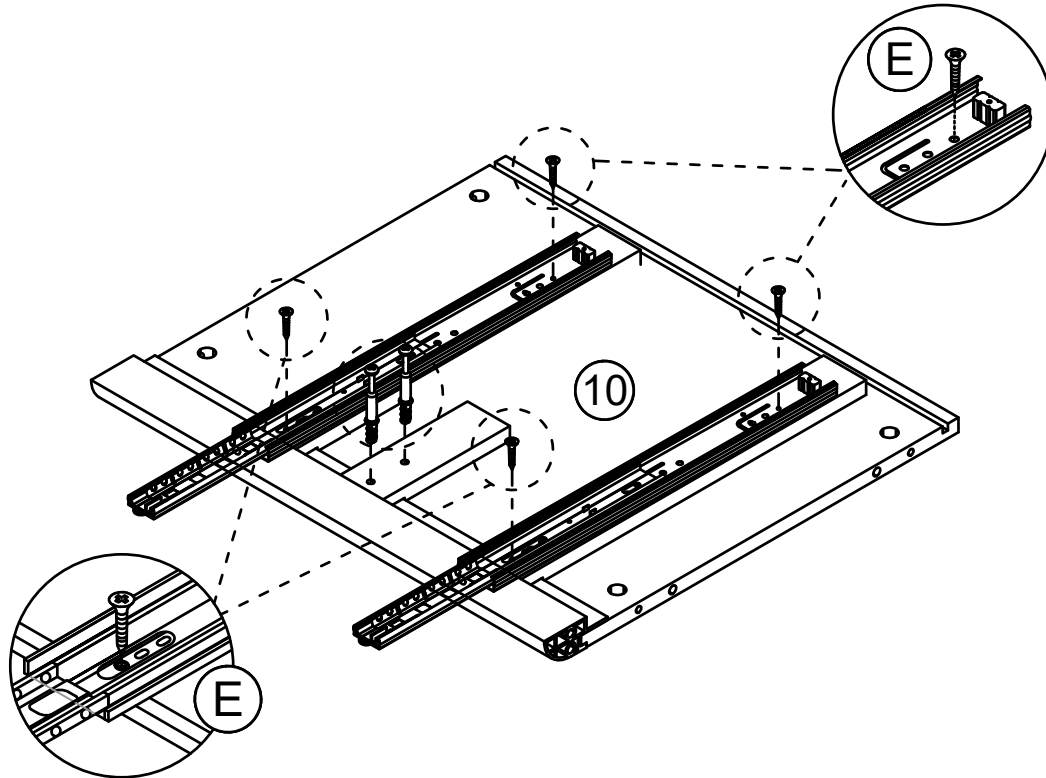
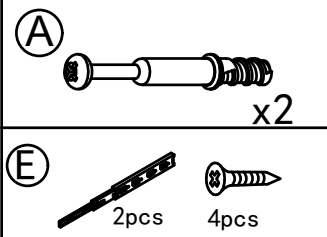
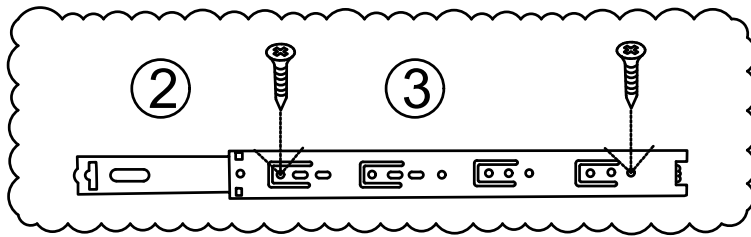
Step 12



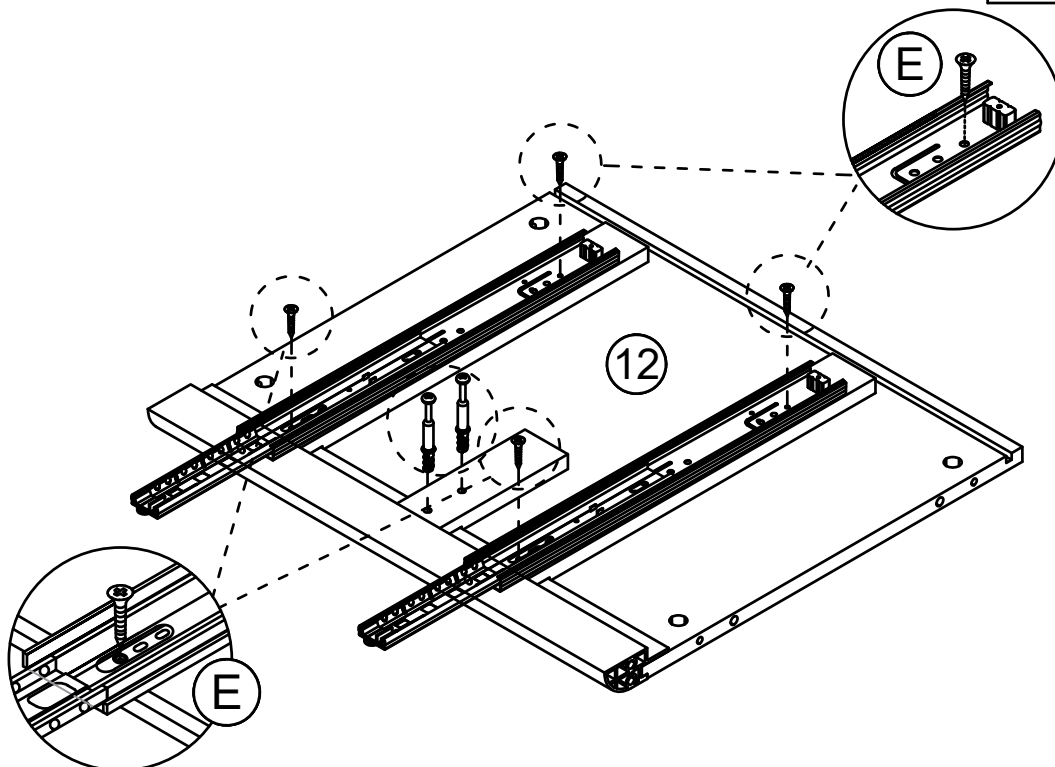
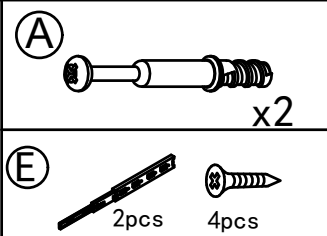
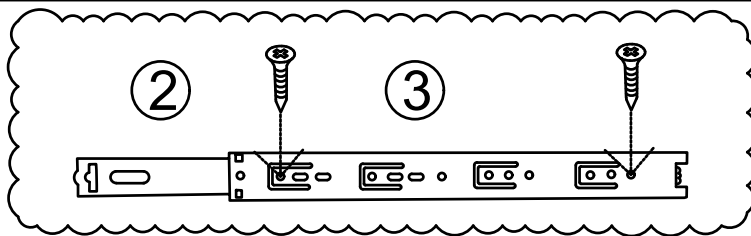
Step 13



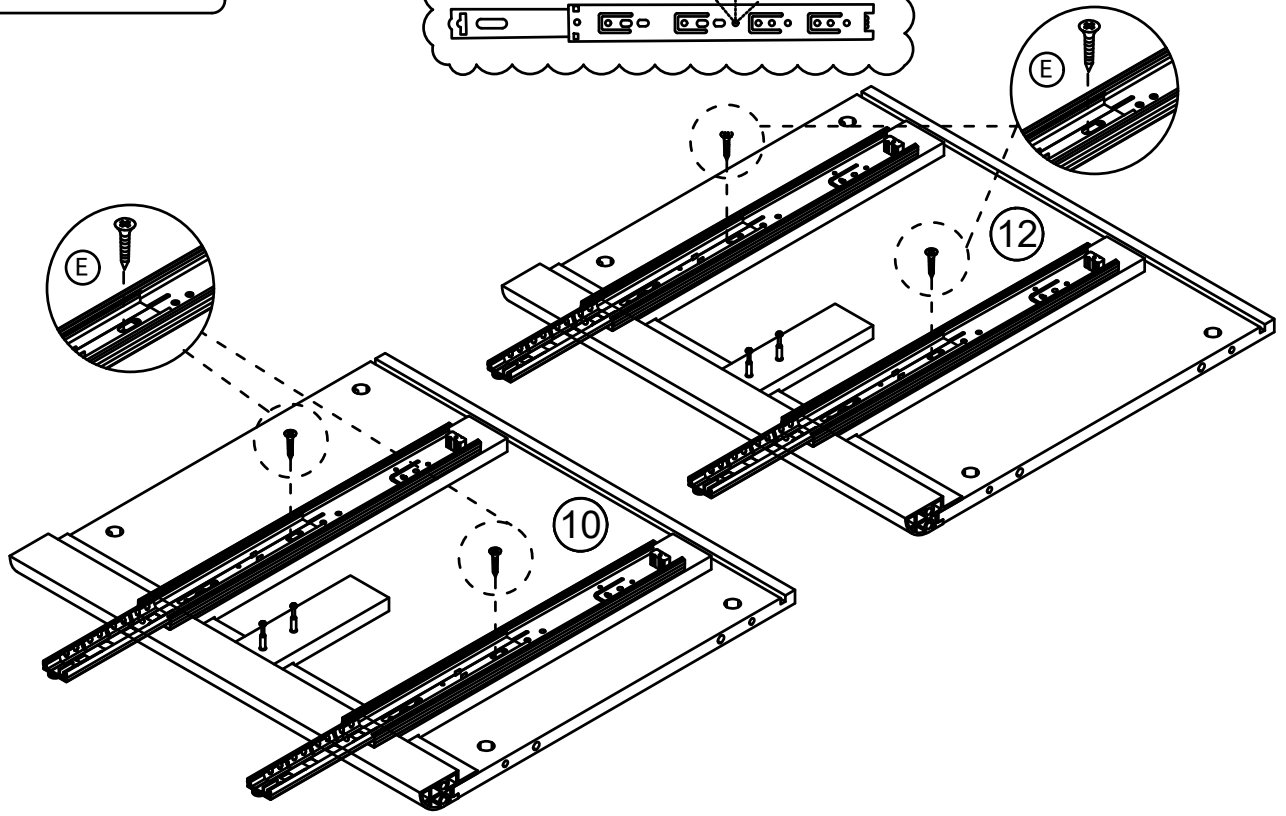
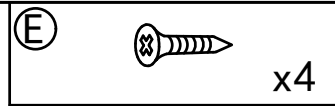
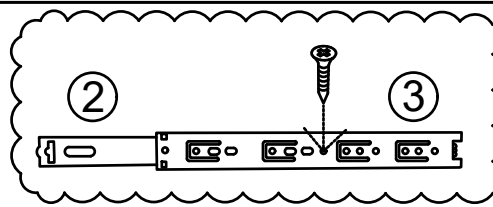
Step 14



Step 15

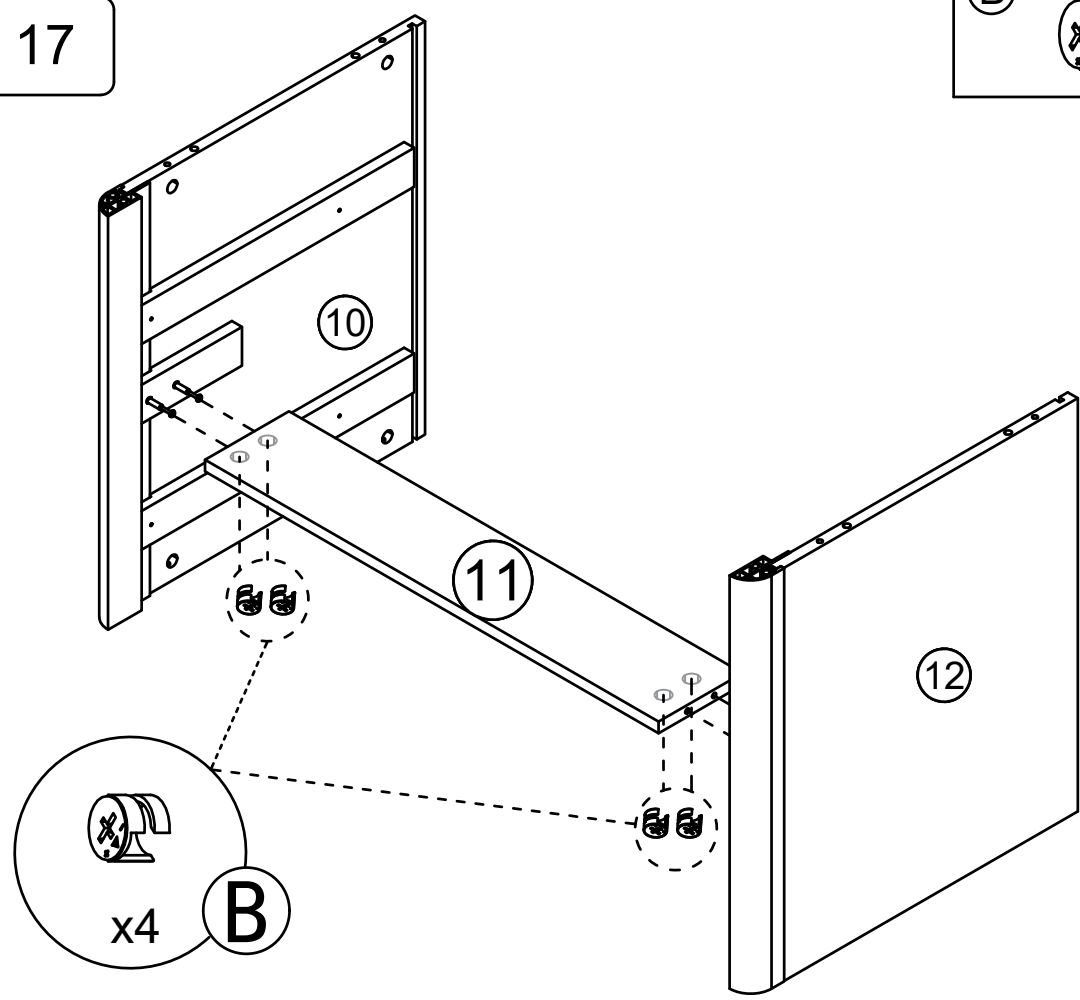
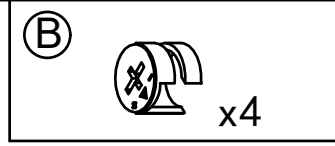


Step 16

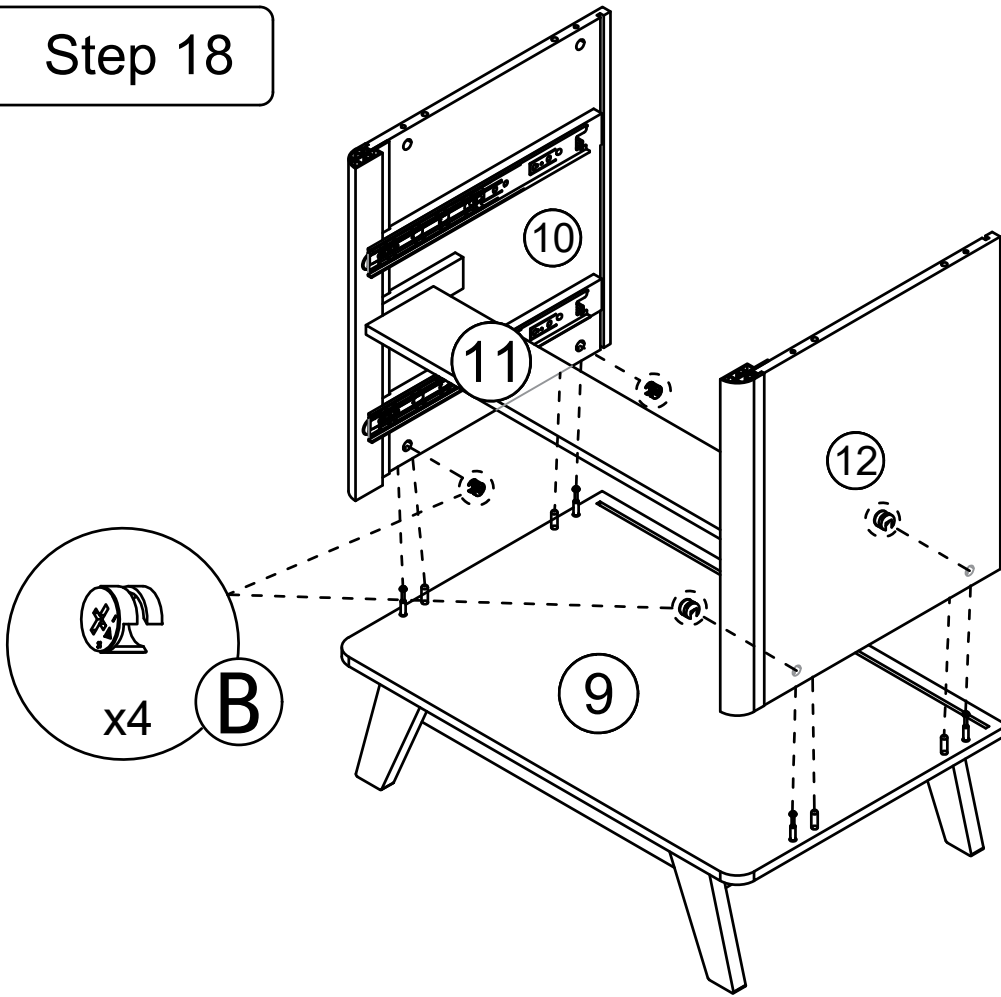


This hole is for strengthening fixed hole customers can choose to install according to their needs.

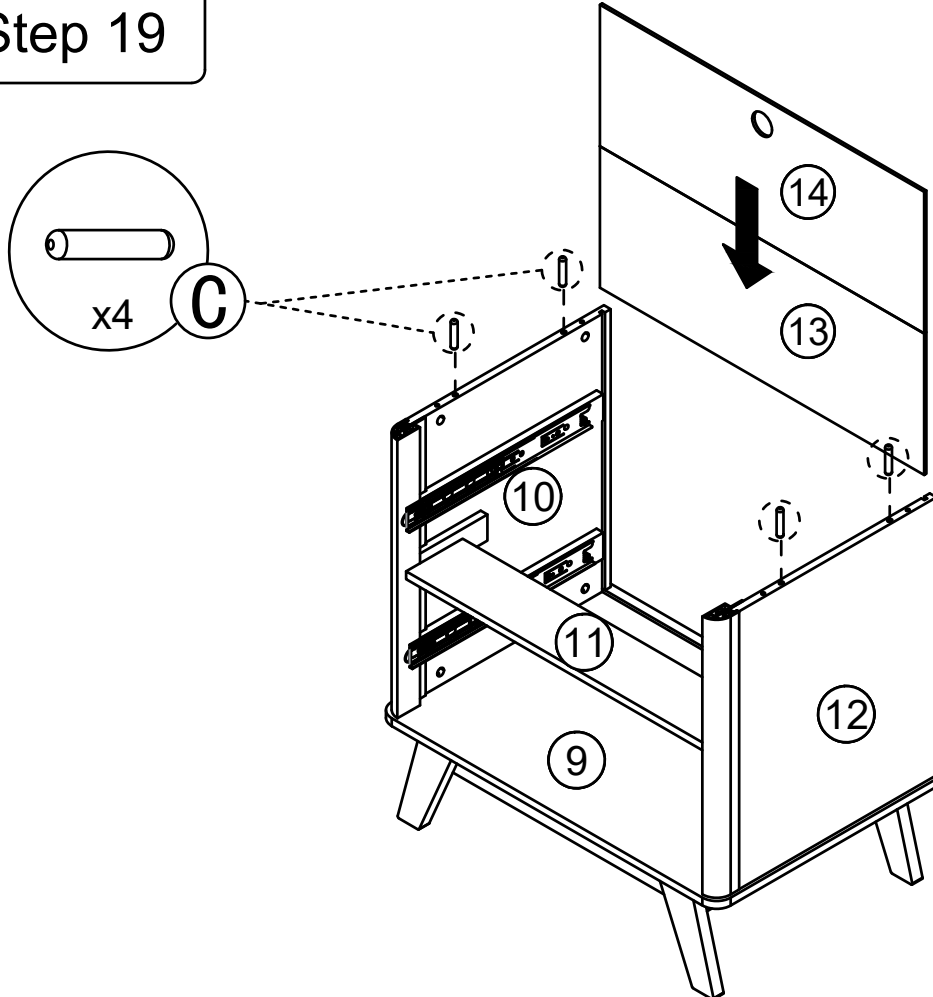
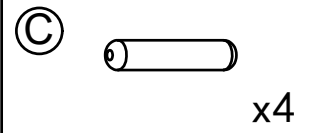
Step 17



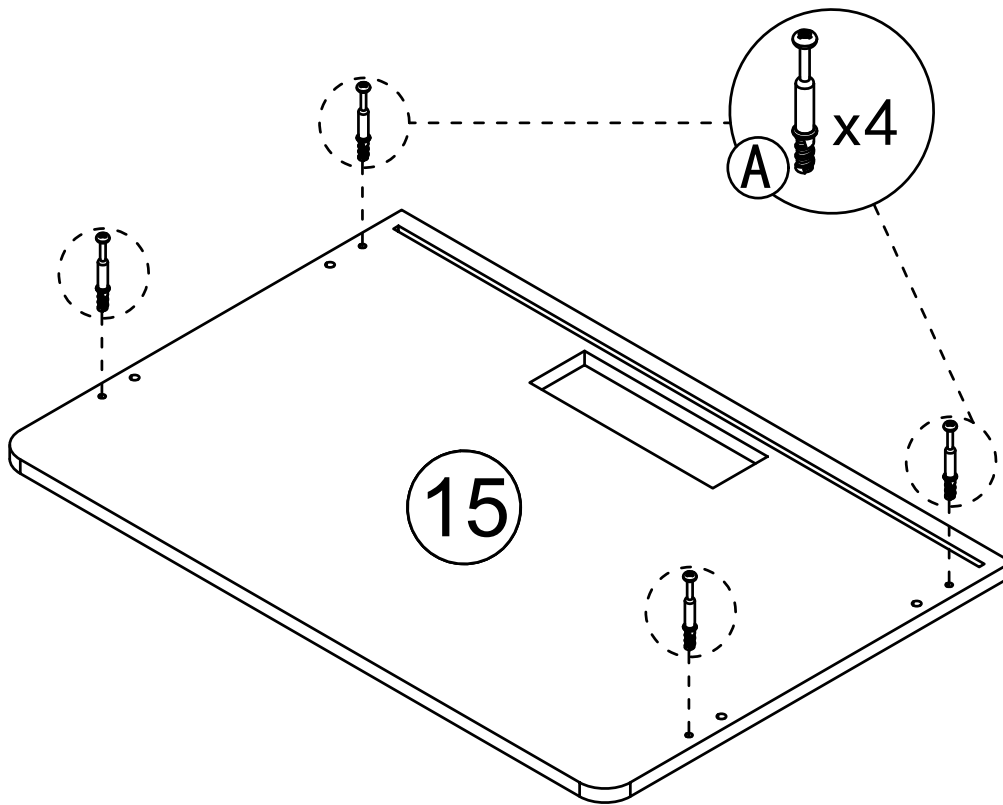
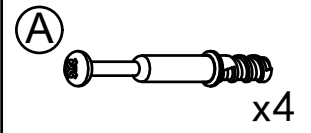
Step 18



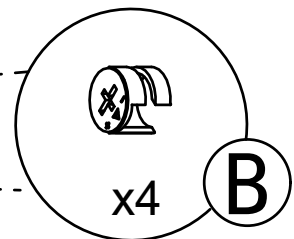
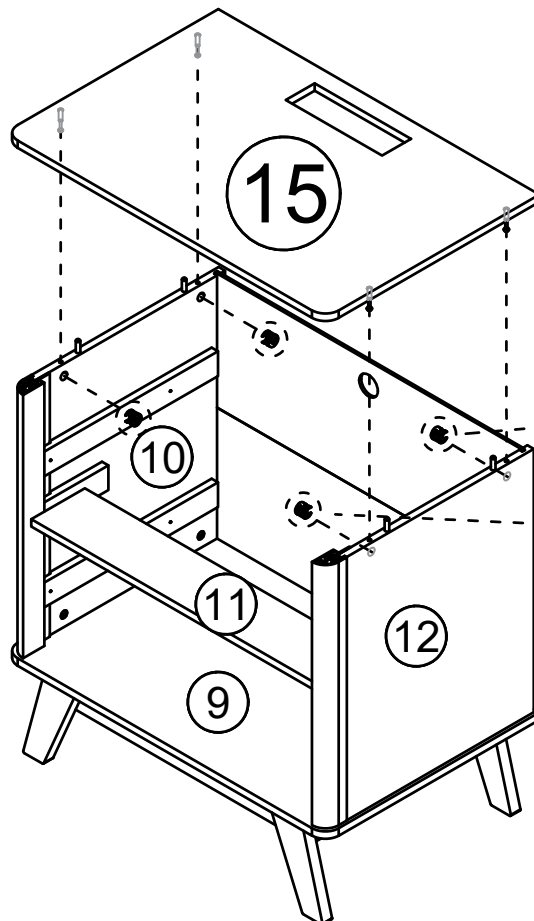
Step 19



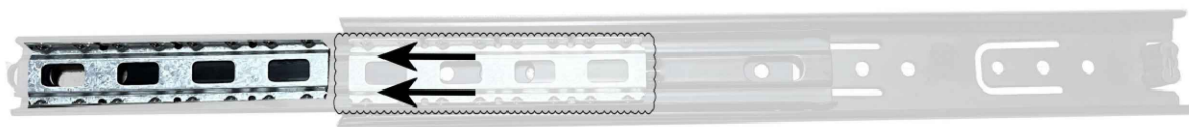
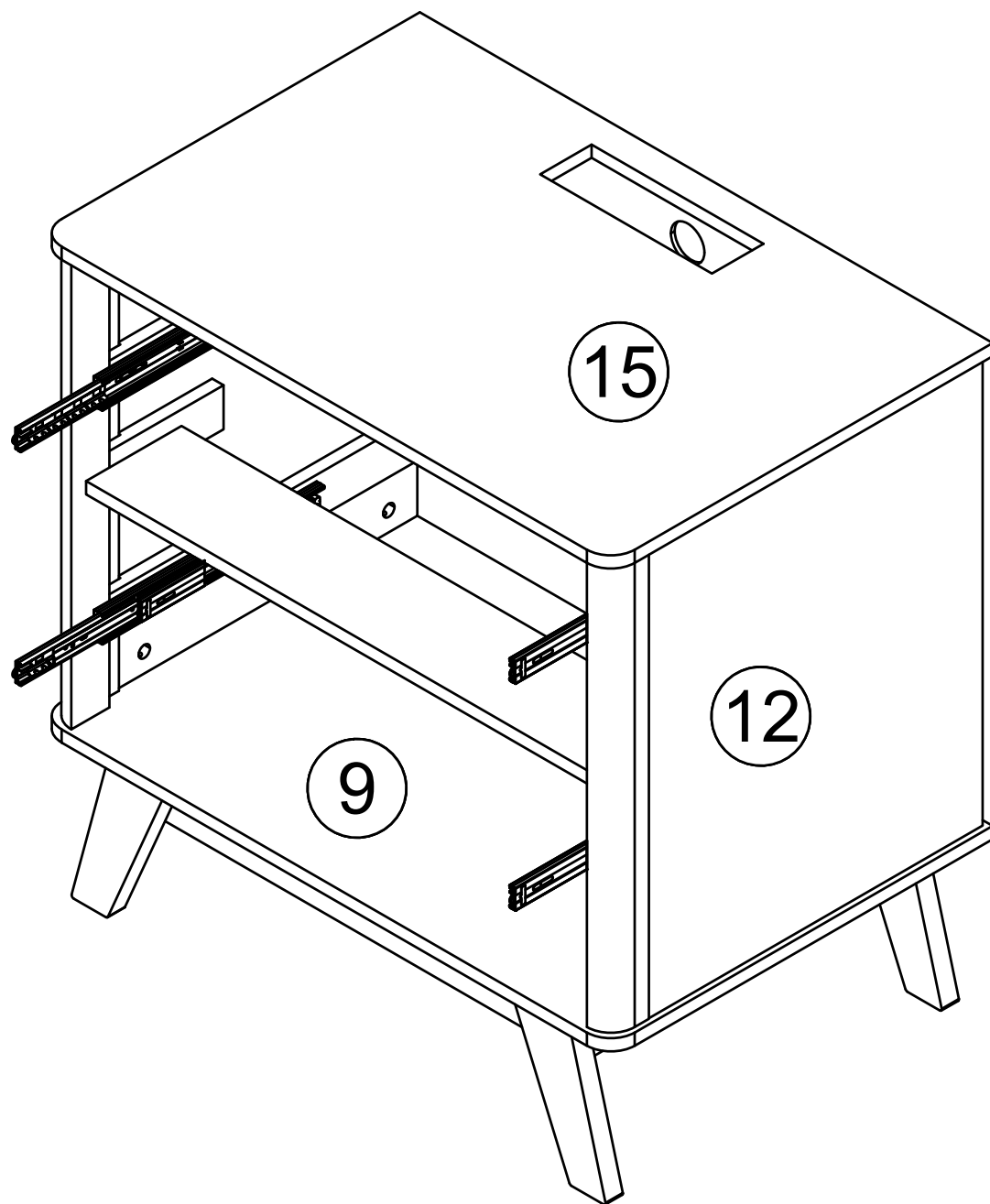
Step 20



Step 21

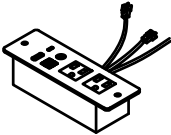
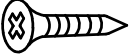


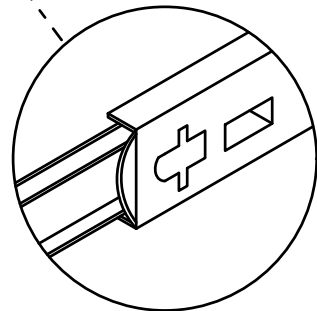
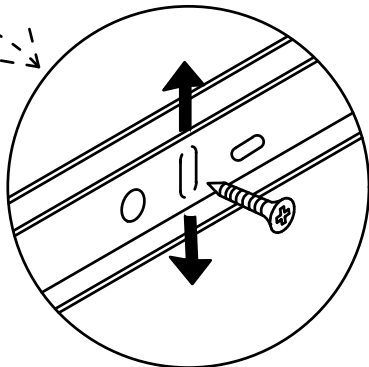
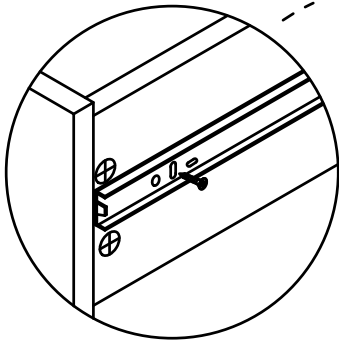
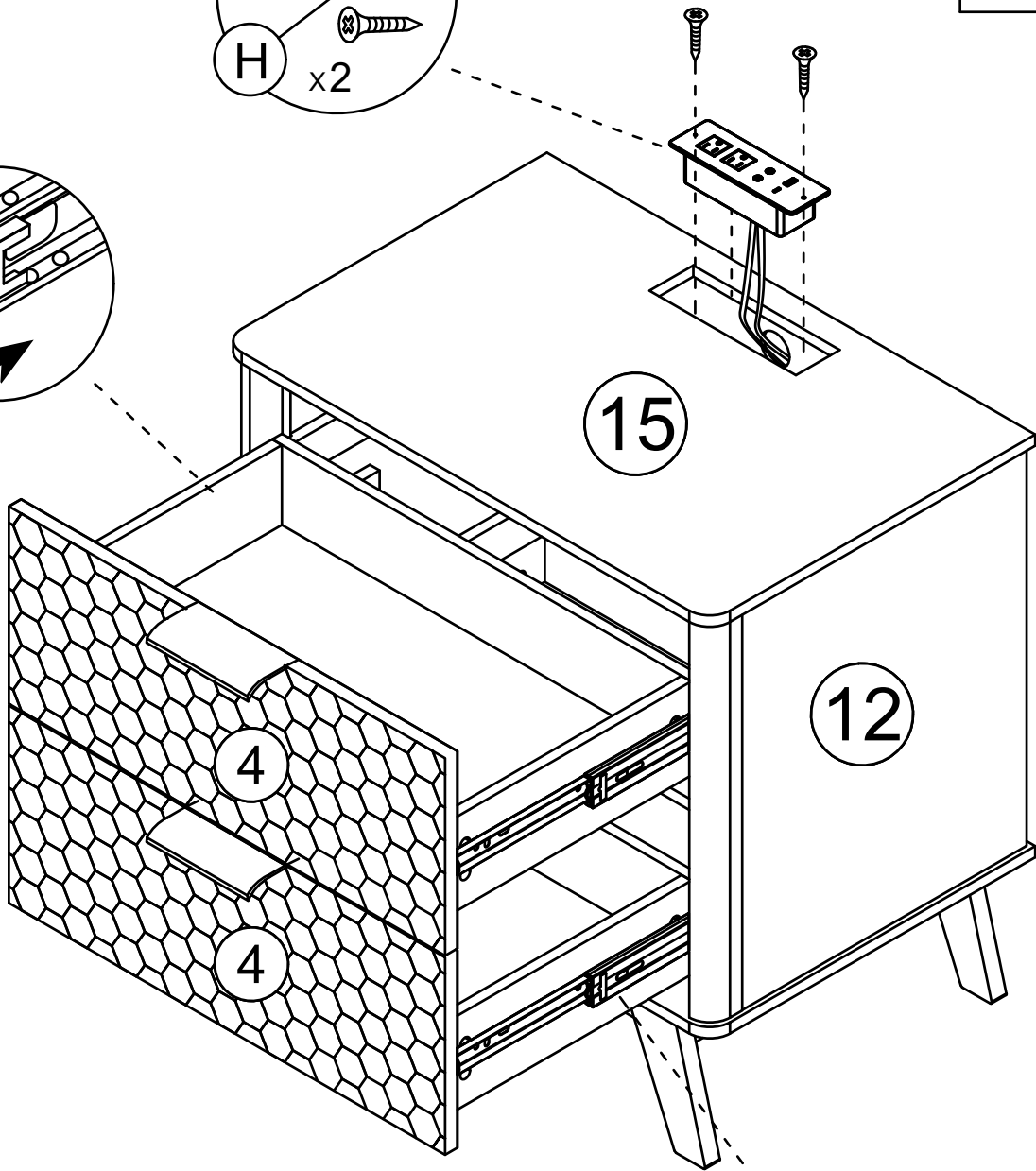
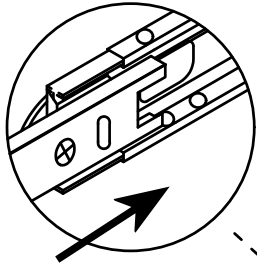
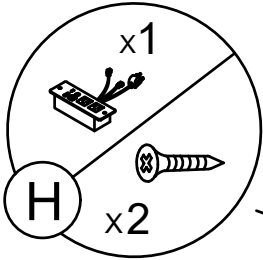
Step 22



As shown, When installing the drawer, pull the guide rail out first, Slide beads are also pulled out.



Step 23

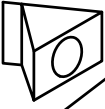

- (H)  x 1
-  x 2

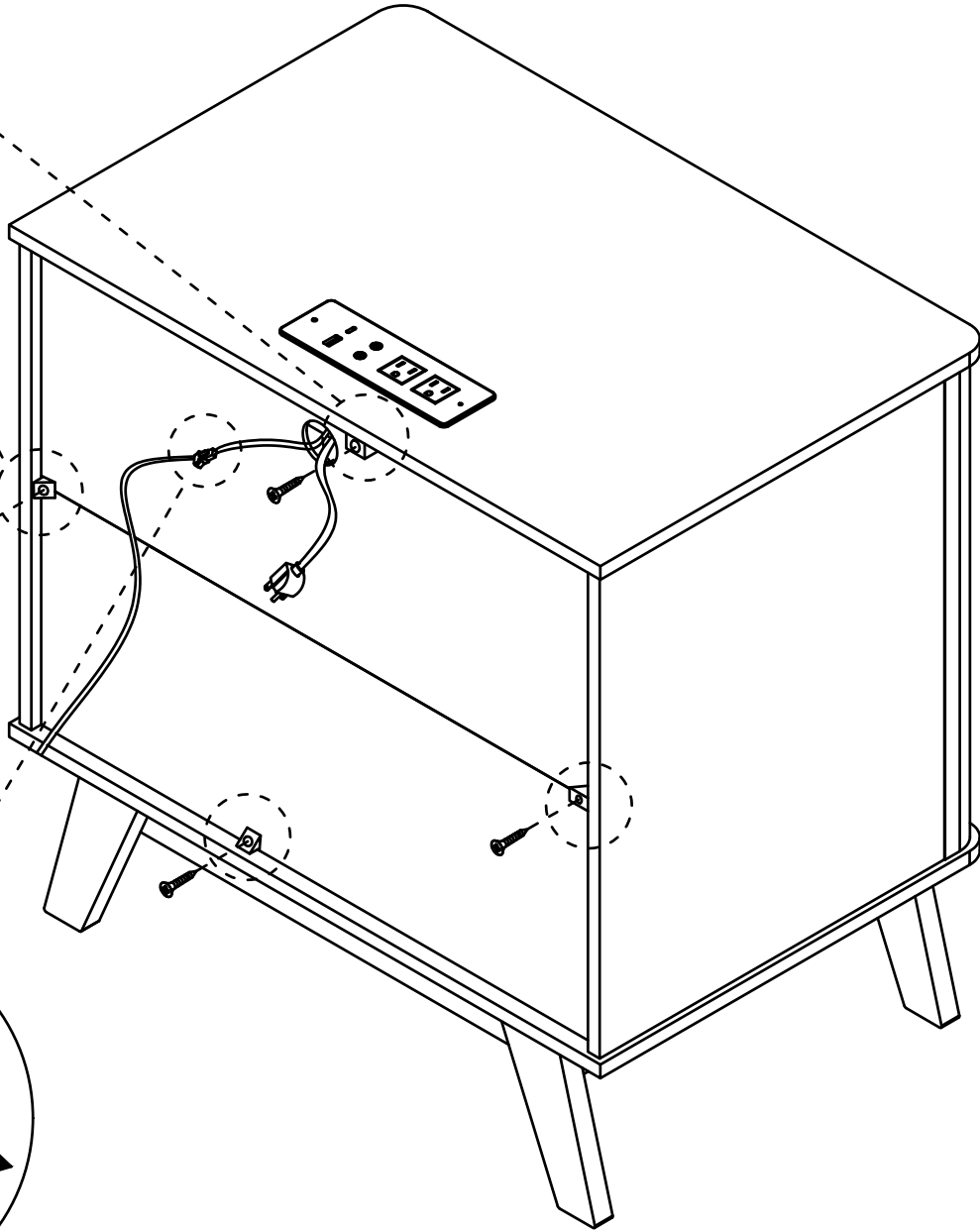


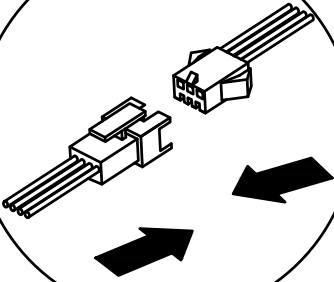
If a large gap is found after installing the drawer the slide rail can be moved up and down to adjust the gap

Step 24

①  x 4  x 4

①  x 4  x 4





Step 25

