

SAFETY INFORMATION



Please read and understand this entire manual before attempting to assemble, operate or install the product.

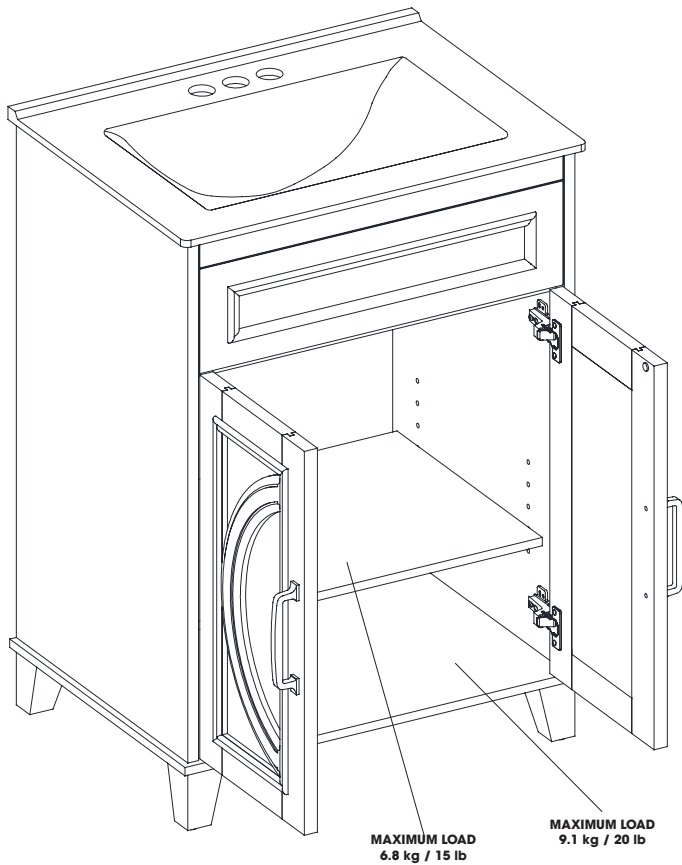


WARNING

- Some steps are more easily handled with two adults.

CAUTION

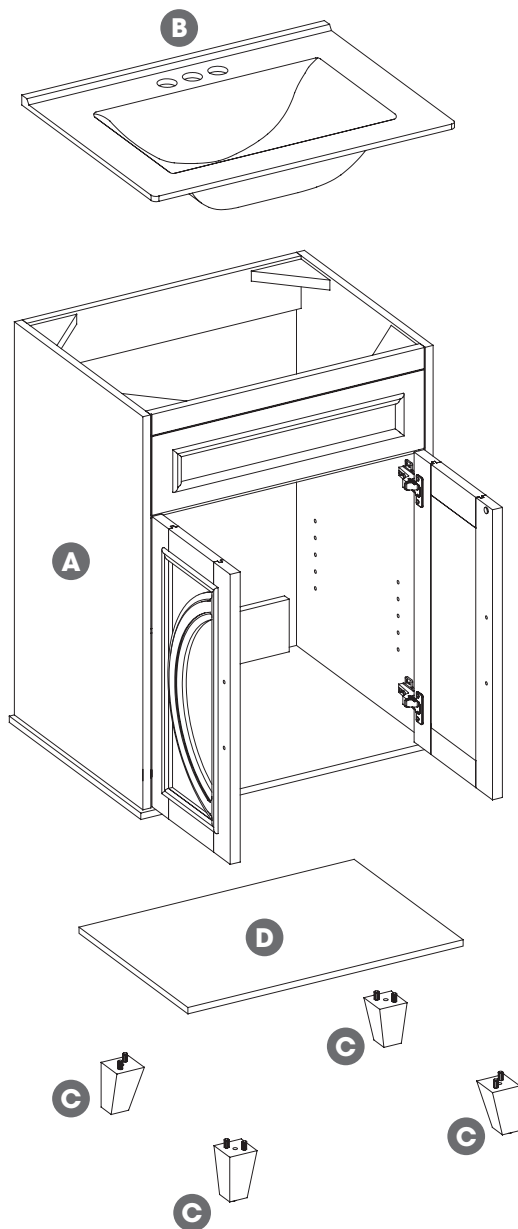
- Before assembly and/or installation, carefully unwrap all parts.
- Locate and set aside the hardware kit before discarding packaging.
- Use care when assembling your new product. Take your time and follow assembly instructions closely.



WARNING

Loads heavier than the maximum weights specified may result in instability causing tip over resulting in death or serious injury.

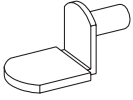
Compatible with a 4-inch centerset faucet.



HARDWARE

AA

[x4]



BB

[x4]



Ø6.3*60mm

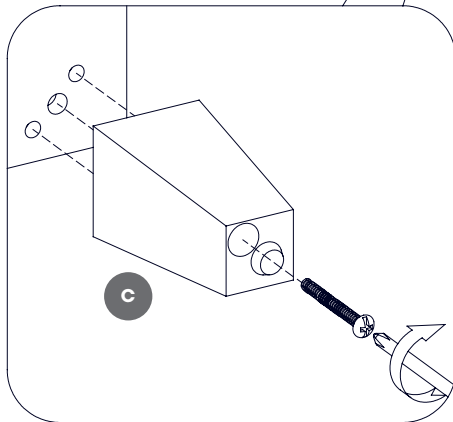
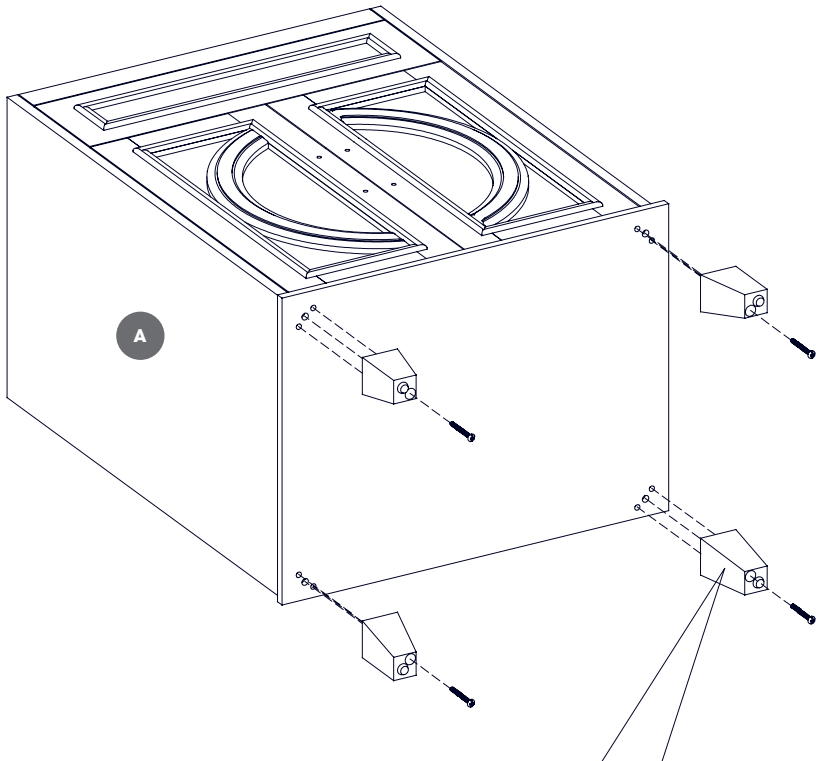
ATTENTION: Follow instructions in the order they are given below. This will ensure that your product is properly assembled.

1

BB



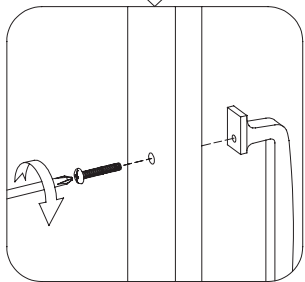
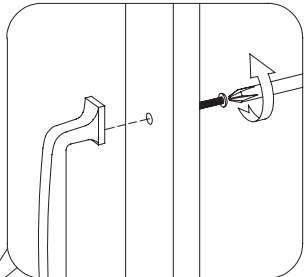
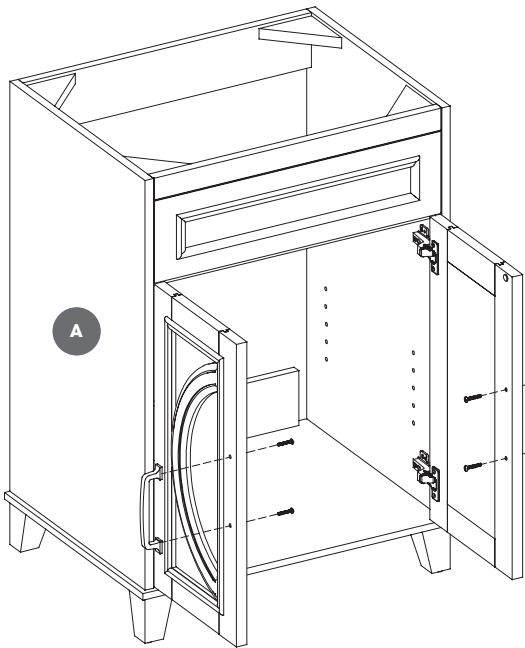
[x4]



2

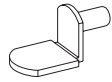
GG

[x2]

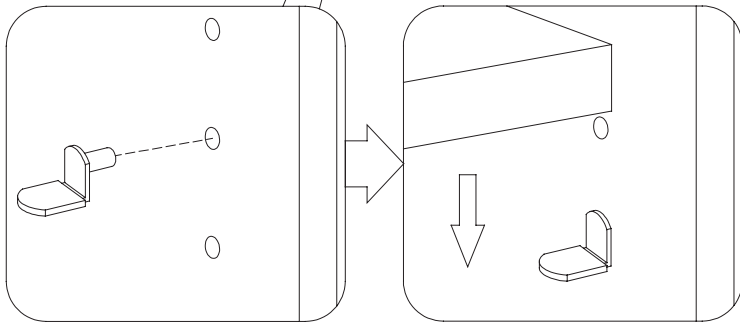
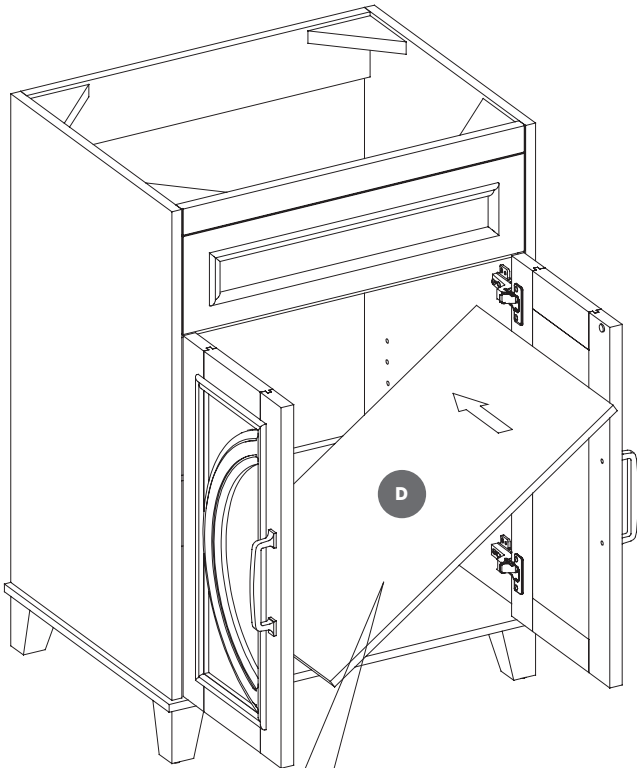


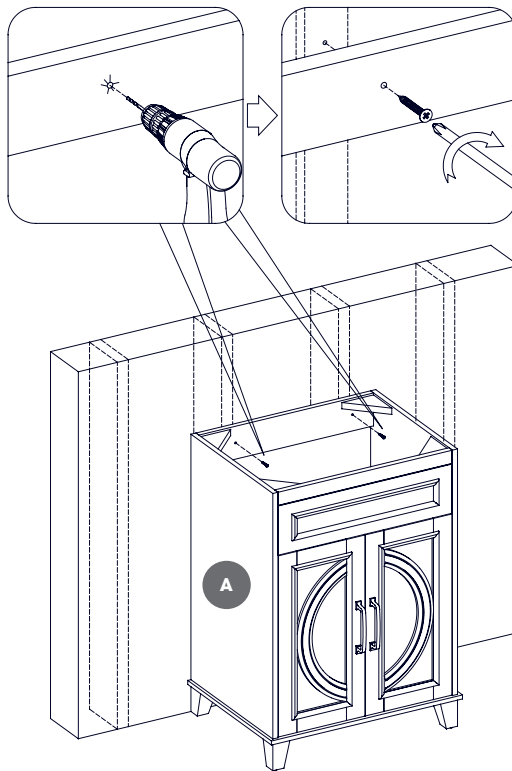
3

AA



[x4]

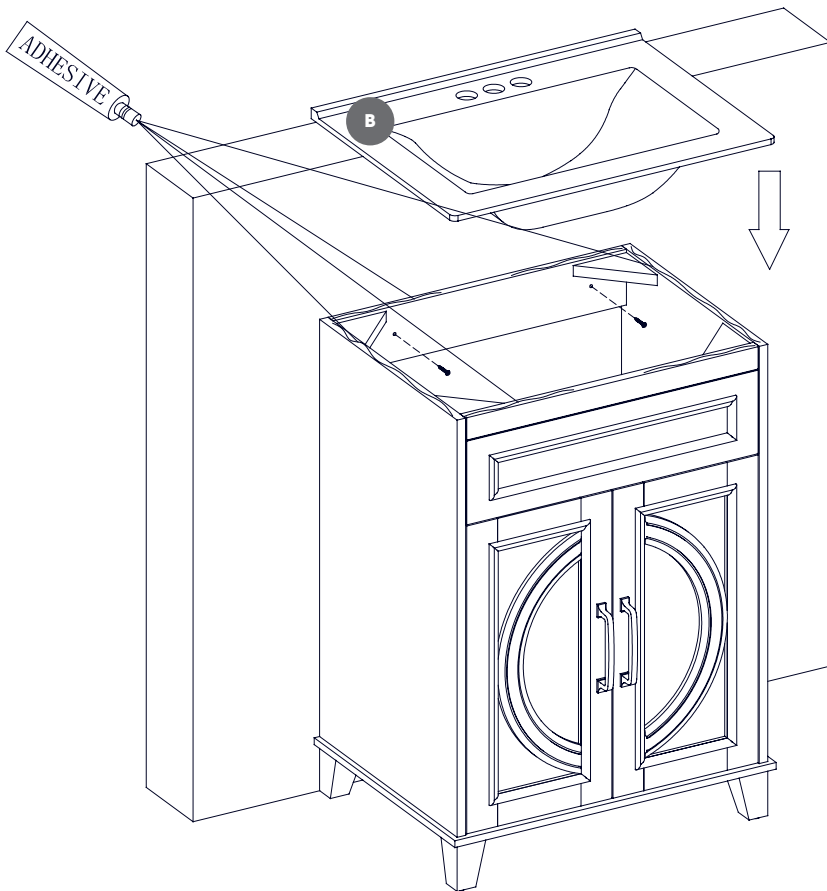


4

Once the desired location is chosen, temporarily move vanity (A) to the side – with the assistance of another person – and clean mounting area. Find and mark the locations of wall studs at mounting site, then replace vanity (A) in desired location.

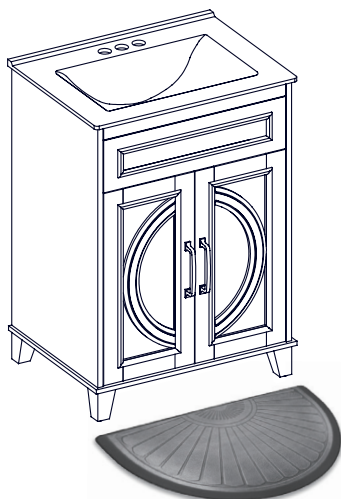
Using proper hardware (not included), drill holes at marked locations and secure vanity (A) to wall stud with at least one fastener, such as a wood screw or toggle bolt. If possible, secure vanity (A) to 2 wall studs for increased stability.

5



To install the top (B), apply silicone adhesive (not included) to the top edges of the vanity (A). Clean any excess adhesive before allowing to dry. Install the faucet and drain set (not included) according to the manufacturer's directions.

Enhance Your Experience



Care and Maintenance

- Use a soft, clean cloth that will not scratch the surface when dusting.
- Use of furniture polish is not necessary. Should you choose to use polish, test first in an inconspicuous area.
- Using solvents of any kind on your furniture may damage the finish.
- Never use water to clean your furniture as it may cause damage to the finish.
- Always use coasters under beverage glasses and flowerpots.
- Liquid spills should be removed immediately, as it may damage the furniture. Use a soft, clean cloth and blot the spill gently. Avoid rubbing.
- Always use protective pads under hot dishes and plates. Heat can cause chemical changes that may create spotting within the furniture.

Further advice about wood furniture care

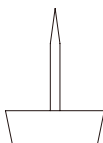
It is best to keep your furniture in a climate-controlled environment. Temperature and humidity changes can cause fading, warping, shrinking and splitting of wood. It is advised to keep furniture away from direct sunlight as sun may damage the finish. Proper care and cleaning at home will extend the life of your purchase.

We hope you enjoy your purchase for many years. Thank you for your purchase!

INSTALLED REPLACEMENT PARTS

CC

[x4]



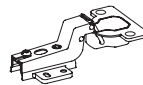
DD

[x2]



EE

[x2]



FF

[x2]



GG

[x2]



E

[x1]



Left Door

F

[x1]



Right Door

When registering your product, be sure to sign up for our updates to receive important service information and helpful tips. We value your privacy and will never share your personal information with other organizations. The information you submit is used only for providing product related services to you.

If you are unable to register your product, please save your proof of purchase for part replacement.