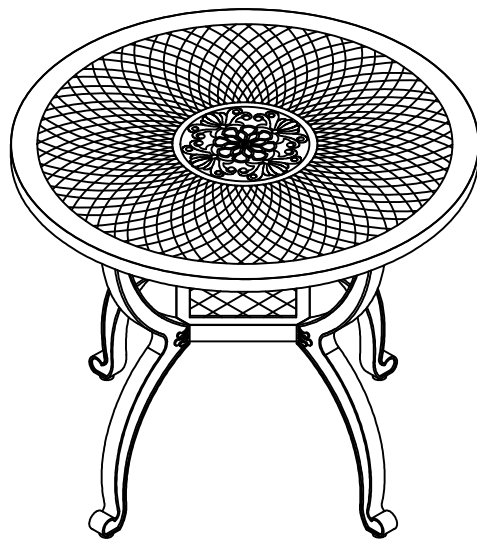
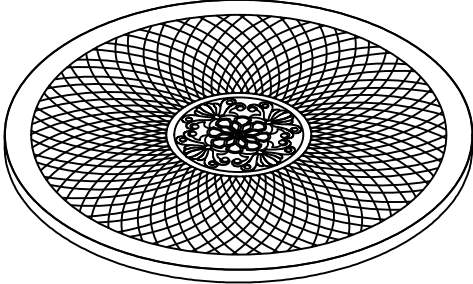






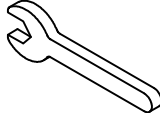
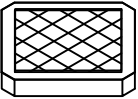
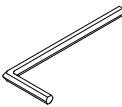


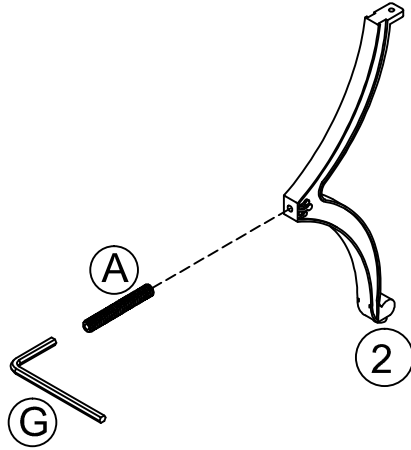
Coffee table



1		1PC	A	 M8*30 Bolt	8PCS
			B		8PCS
			C		8PCS
2		4PCS	D		8PCS
			E		8PCS
			F		1PC
3		1PC	G		1PC

1

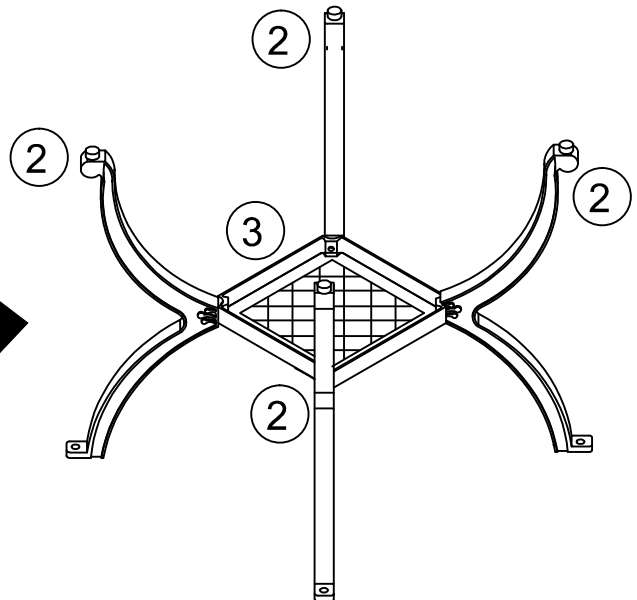
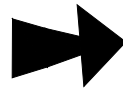
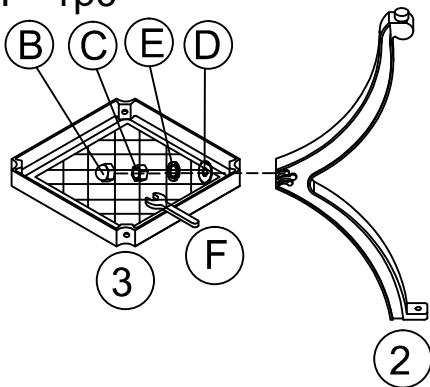
2 *4pcs
A *4pcs
G *1pc



X4 times

2

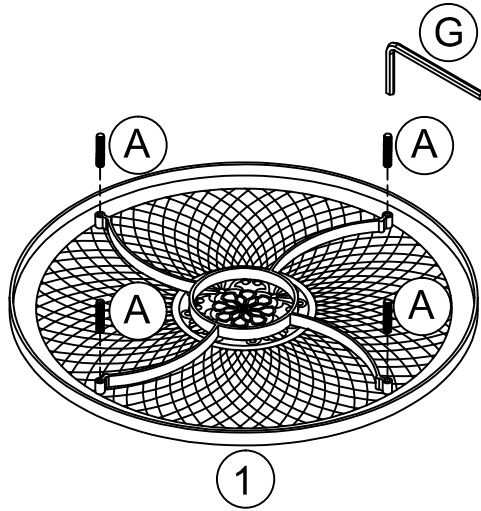
3 *1pcs
B *4pcs
C *4pcs
D *4pcs
E *4pcs
F *1pc



X4 times

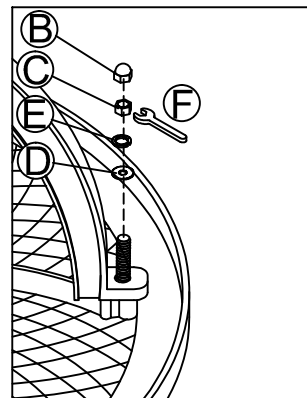
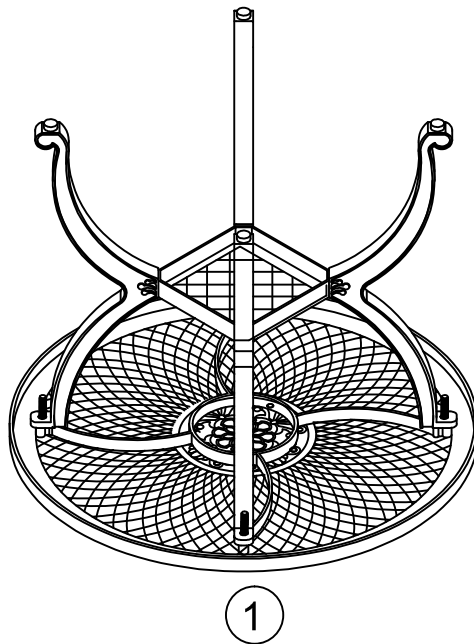
3

1 *1pc
A *4pcs
G *1pc



4

B *4pcs
C *4pcs
D *4pcs
E *4pcs
F *1pc



Installation Completed