

ASSEMBLY INSTRUCTIONS



Futon Frame

ASSEMBLY INSTRUCTIONS

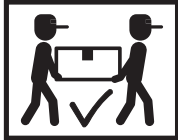
ASSEMBLY TIPS:

1. Remove hardware from box and sort by size.
2. Please check to see that all hardware and parts are present prior to start of assembly.
3. Please follow attached instructions in the same sequence as numbered to assure fast & easy assembly.



WARNING!


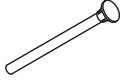
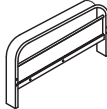
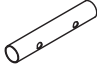
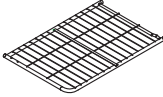



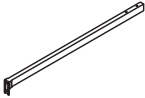
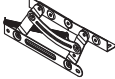
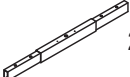
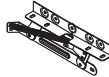
1. Don't attempt to repair or modify parts that are broken or defective. Please contact the store immediately.
2. This product is for home use only and not intended for commercial establishments.



ASSEMBLY TIME

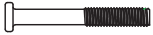




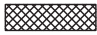



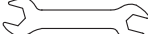
30 MINUTES

PARTS IDENTIFICATION

A	LEFT ARM		1PC	G	MIDDLE LEG		2PCS
B	RIGHT ARM		1PC	H	FRAME CONNECTOR		4PCS
C	MESH PANEL 1		2PCS	I	RETAINER		2PCS
D	MESH PANEL 2		2PCS	J	HOOK		3PCS
E	STRETCHER		4PCS	K	LEFT MECHANISM		1PC
F	STRETCHER CONNECTOR		2PCS	L	RIGHT MECHANISM		1PC

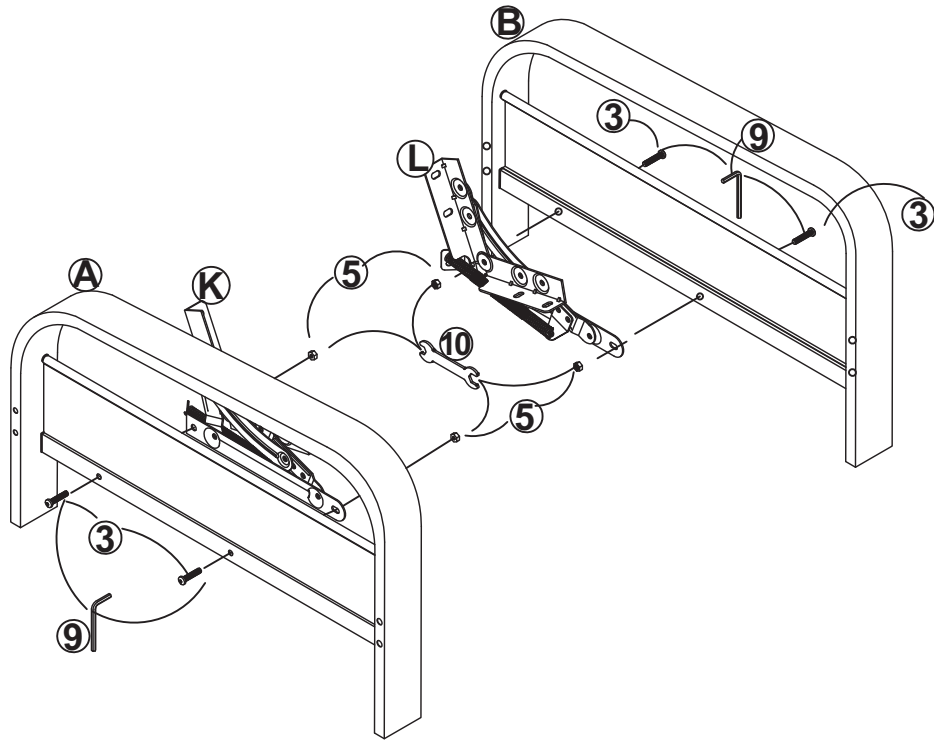
HARDWARE IDENTIFICATION

Z-HARDWARE

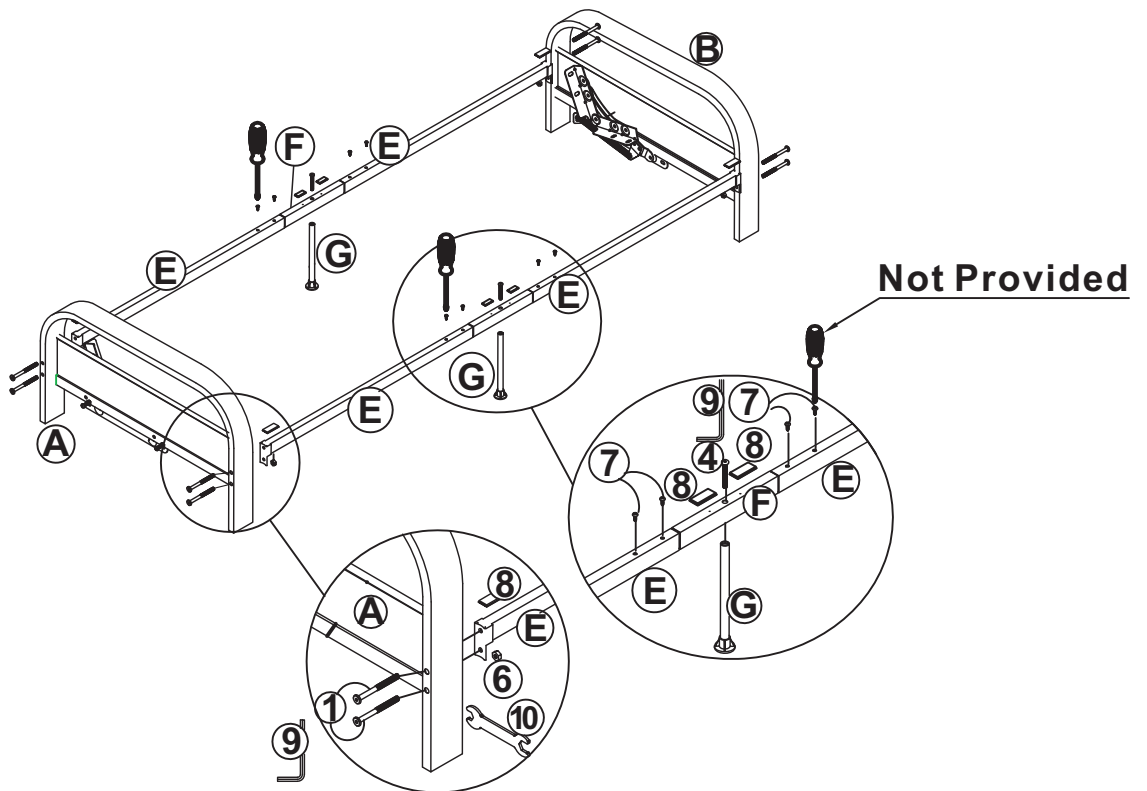
1	BOLT (Ø5/16"x2-1/2"L)		8PCS	6	NUT (5/16")		4PCS
2	BOLT (Ø1/4"x1-1/4"L)		8PCS	7	WOOD SCREW (M4 x 5/8")		20PCS
3	BOLT (Ø 1/4"x1"L)		4PCS	8	PAD		8PCS
4	BOLT (Ø 1/4"x3/4"L)		2PCS	9	HEX KEY 4MM		1PC
5	NUT (1/4")		12PCS	10	WRENCH		1PC

ASSEMBLY INSTRUCTIONS

STEP 1

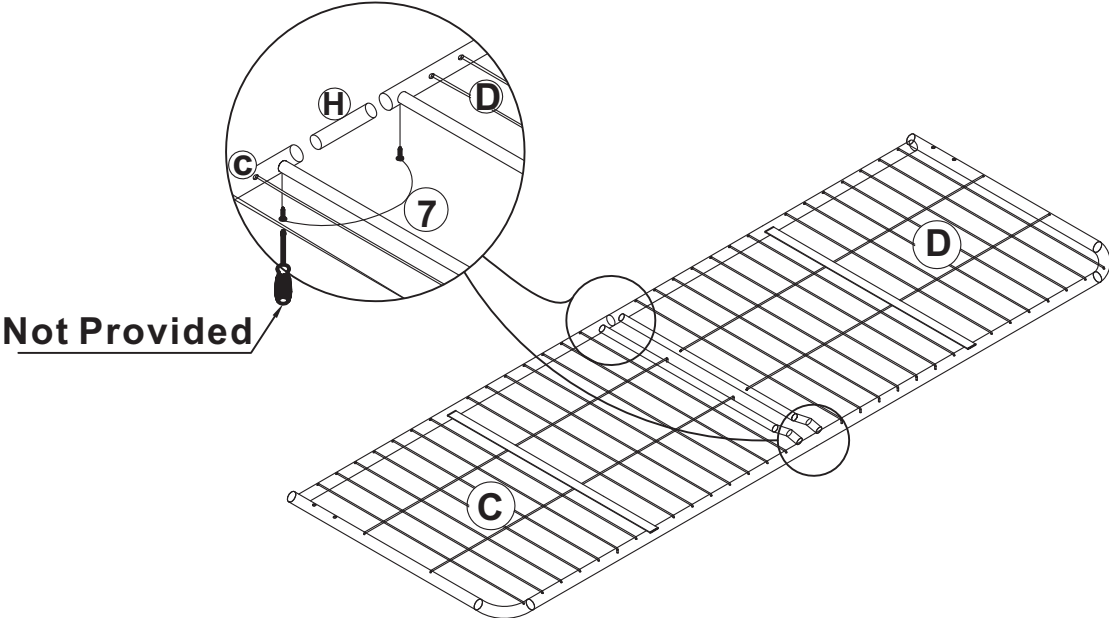


STEP 2

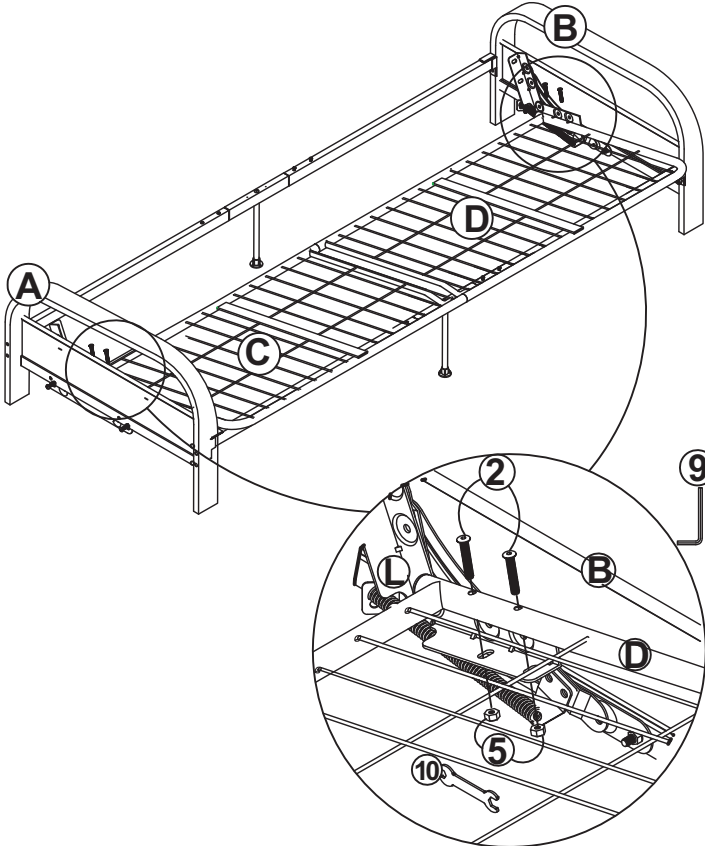


ASSEMBLY INSTRUCTIONS

STEP 3

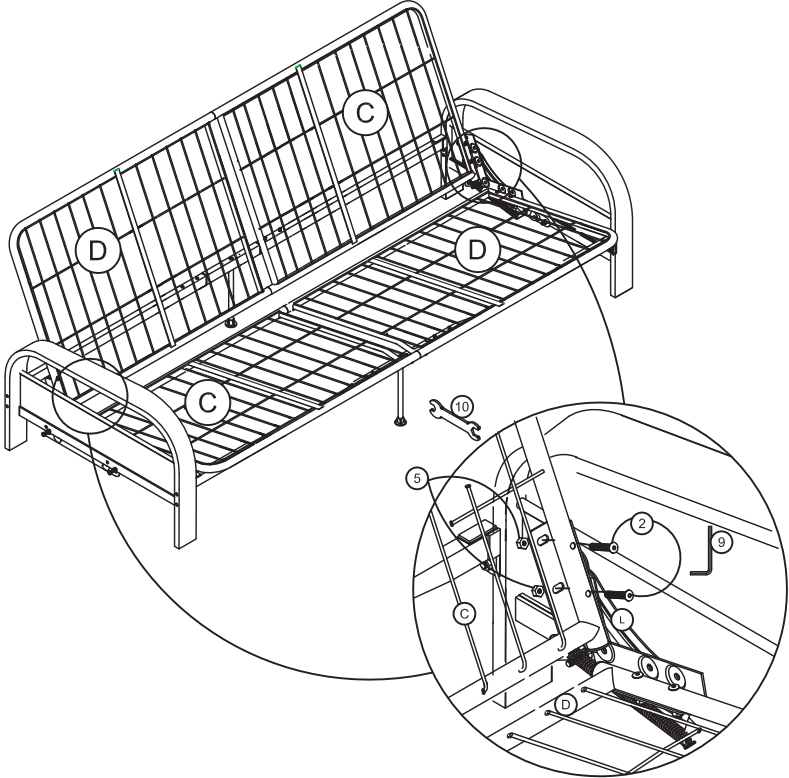


STEP 4

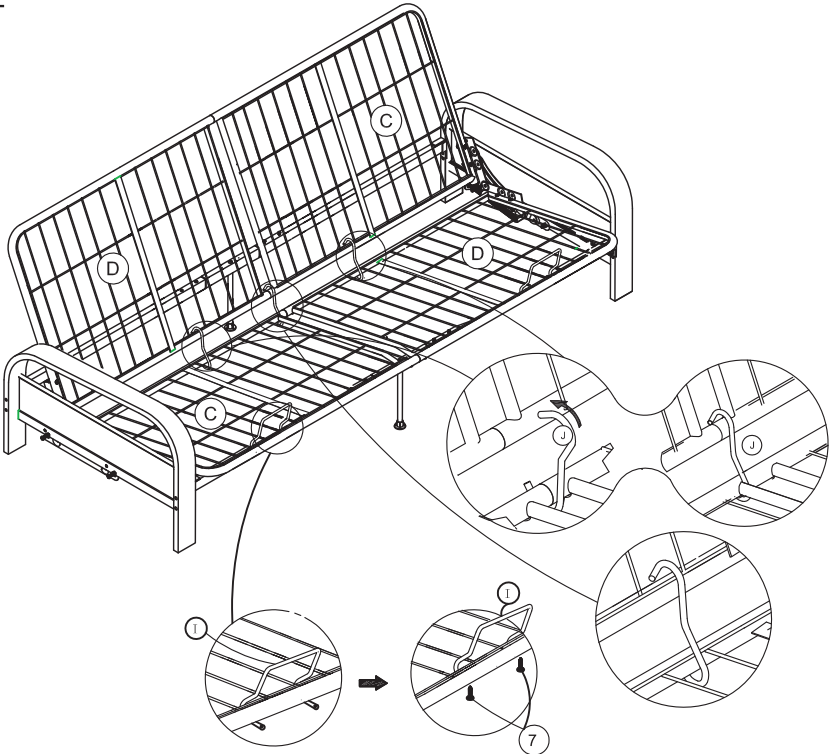


ASSEMBLY INSTRUCTIONS

STEP 5

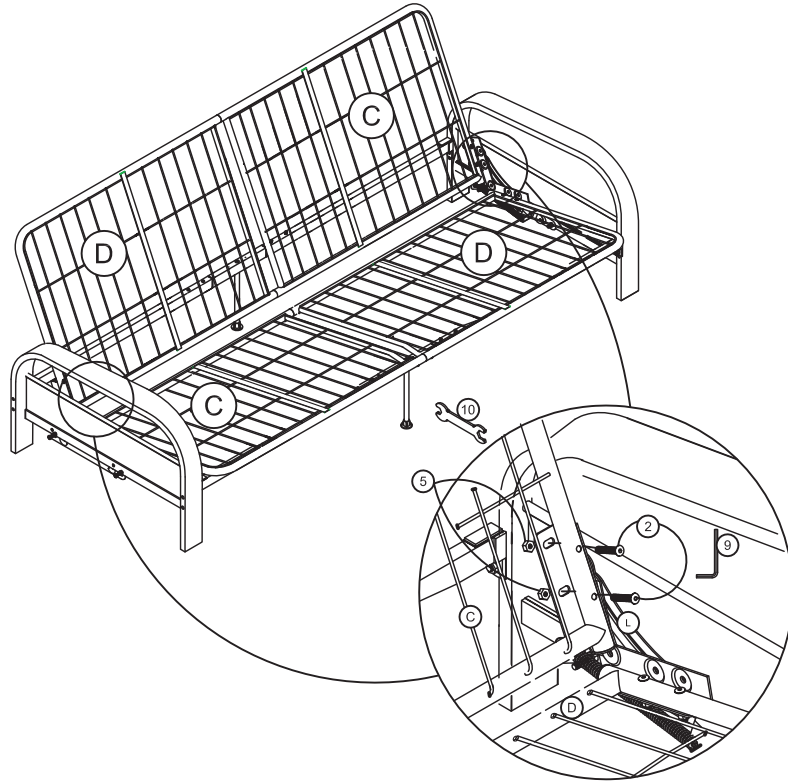


STEP 6

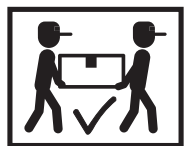
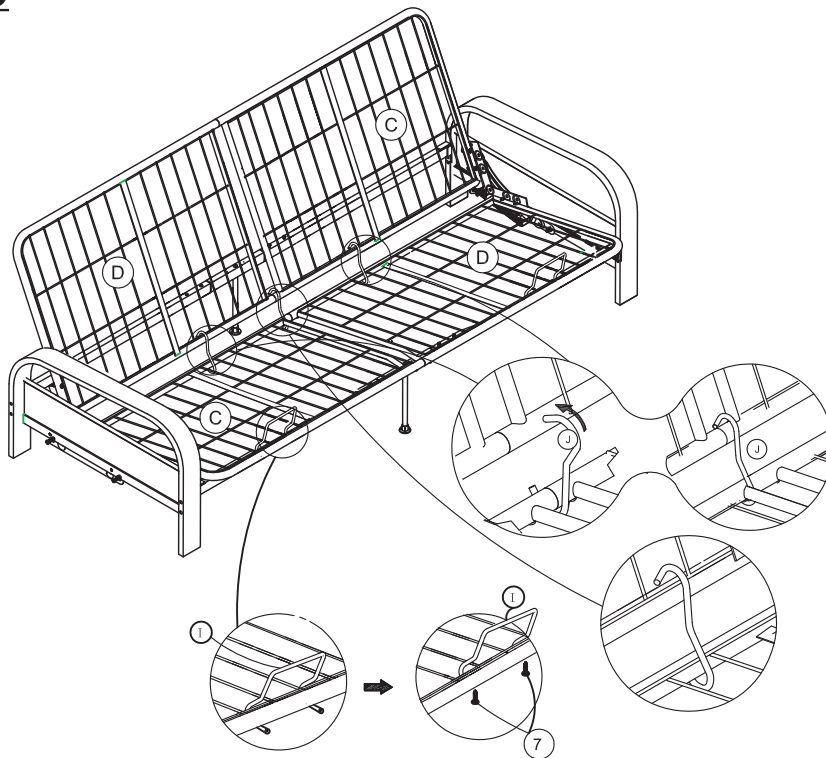


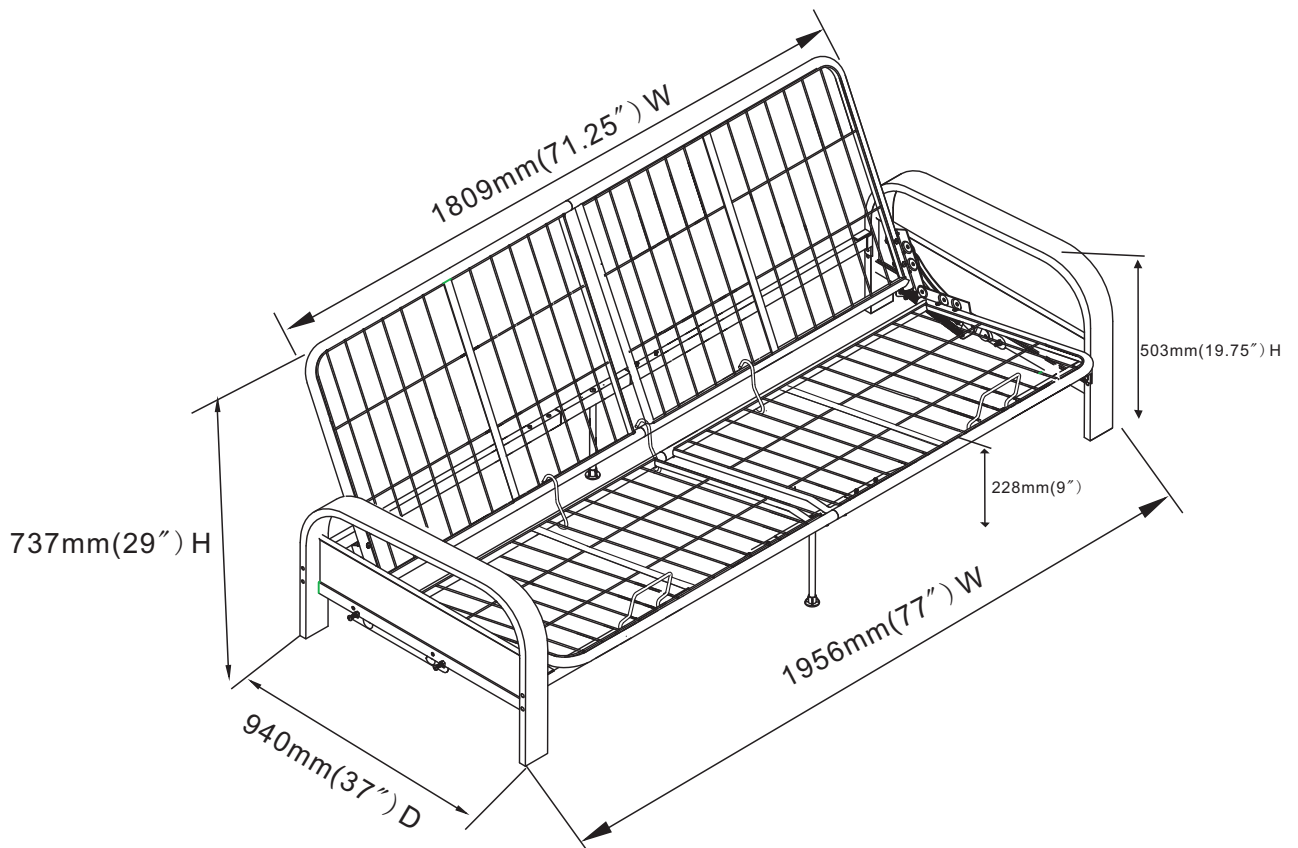
ASSEMBLY INSTRUCTIONS

STEP 5



STEP 6





Note : Dimension tolerance $\pm 5\%$