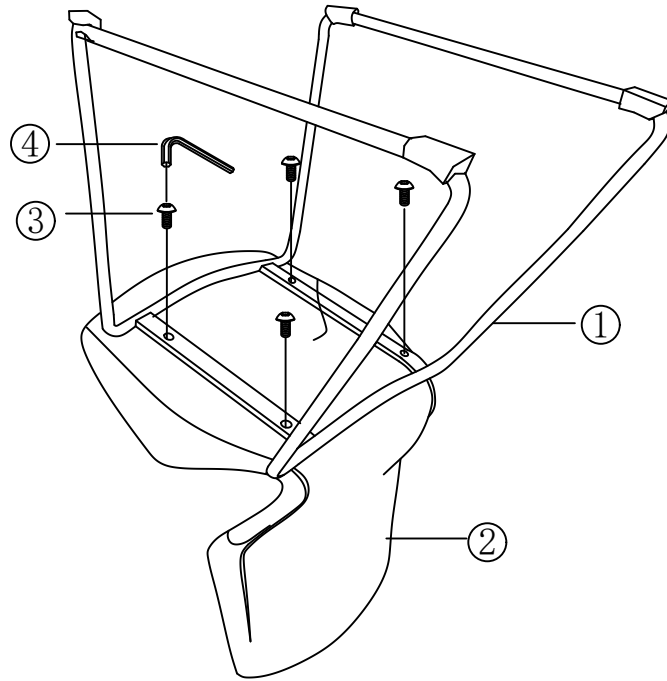






# CHAIR ON SKID BASE ASSEMBLY INSTRUCTION

1



2



①	SUPPORT FRAME	②	SEAT&BACK CUSHION	③	SCREW	④	ALLEN KEY
					M6*20		M5
							
	1 PC		1 PC		4 PCS		1 PC

IMPORTANT NOTE - PLEASE ASSES ALL COMPONENTS PRIOR TO DISPOSAL OF PACKAGING AND ASSEMBLY OF CHAIR