

"IMPORTANT, RETAIN FOR FUTURE REFERENCE: READ CAREFULLY"

Thank you for selecting this product. Before use, please carefully read this operation manual to understand the correct use of this product.

Special attention should be paid to important safety warnings and the operation manual should be kept for reference. Note : our company reserves the right to improve the product and instructions contained therein which may be changed without notice.

The appearance of the product depends on the material of the object.

SAFETY GUIDELINES

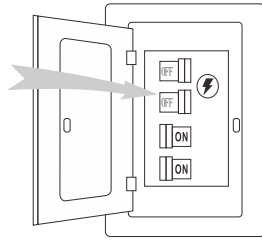
1. To avoid possible electric shock, turn off the electricity in the main fuse box or on the circuit panel before you begin the fan installation, maintain the fan or install any accessories.
 2. Read all instructions and safety guidelines carefully before installing your fan and follow all the instructions.
 3. Make sure all electrical connections comply with the local codes or ordinances and the national electrical code. If you are unfamiliar with electric wiring, please consult a qualified licensed electrician.
 4. Make sure you have a location that has clear space for the fans' blades to rotate. There is at least seven (7) feet of clearance between the floor and the fan blades' tips. The fan should be mounted at least thirty (30) inches from walls or other upright structures.
 5. **⚠ WARNING:** The outlet box and ceiling support joist must be securely mounted, and capable of supporting at least 100 pounds. To reduce the risk of fire, electric shock or personal injury, mount to the outlet box marked "acceptable for fan support" and use mounting screws matching the outlet box. The box must be supported directly by the building structure.
 6. **⚠ WARNING:** To reduce the risk of fire, electric shock or personal injury, mount to the outlet box marked "acceptable for fan support" and use mounting screws matching the outlet box. Most outlet boxes are only used for supporting lighting fixtures and not acceptable for fan support. Consult a qualified electrician if in doubt.
 7. Electrical diagrams are for reference only. Light kits don't come with the fan. It must be UL listed and marked "suitable for use with the fan model you are installing". Switches must be UL general switches. Refer to the instructions to properly assemble the fan.
 8. After installing, check that all connections are firmly secured.
 9. After making electrical connections, the spliced conductors should be turned upward and carefully pushed up into outlet box. The wires should be placed separate from the grounded conductor as well as the equipment-grounding conductor on opposite side of the outlet box.
 10. **⚠ WARNING:** To reduce the risk of electrical shock and fire, do not use this fan with any solid-state fan speed
 11. Do not operate the reverse switch until the fan has come to a complete stop.
 12. Do not insert anything into the fan's blades while they are rotating.
 13. **⚠ WARNING:** To reduce the risk of personal injury, do not bend the blade brackets (also referred to as "flanges")
 14. To avoid personal injury or damage to the fan and other items, be cautious when working around or cleaning the fan.
 15. Do not use water or detergent to clean the fan or its blades. A dry or lightly dampened cloth will be more suitable.
- NOTE:** The important safety precautions and instructions on the manual are not meant to cover all possible conditions and situations that may occur. It is understood that common sense and caution are necessary factors during installing and operating the fan.
- NOTE:** This product is not intended for persons who have badly physical sensory or mental capabilities, or lack certain life experience and knowledge, especially children. Unless such persons are supervised or trained to operate the appliance under the guidance of a person who is responsible for their safety.
- NOTE:** Children should be supervised to ensure that they do not use appliances as toys.
- NOTE:** You must install a switch or circuit breaker that disconnects all power poles, at least 3 mm between each pole.

BEFORE YOU START

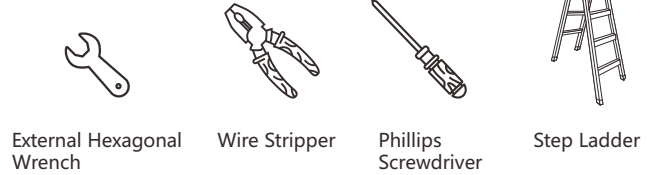
Contact a licensed electrician if you are not good at performing electrical work. It's the licensed electrician who installs the fan, if required by the local code. Do not use the fan with a dimmer switch. Turn off power at breaker.

BEFORE YOU START

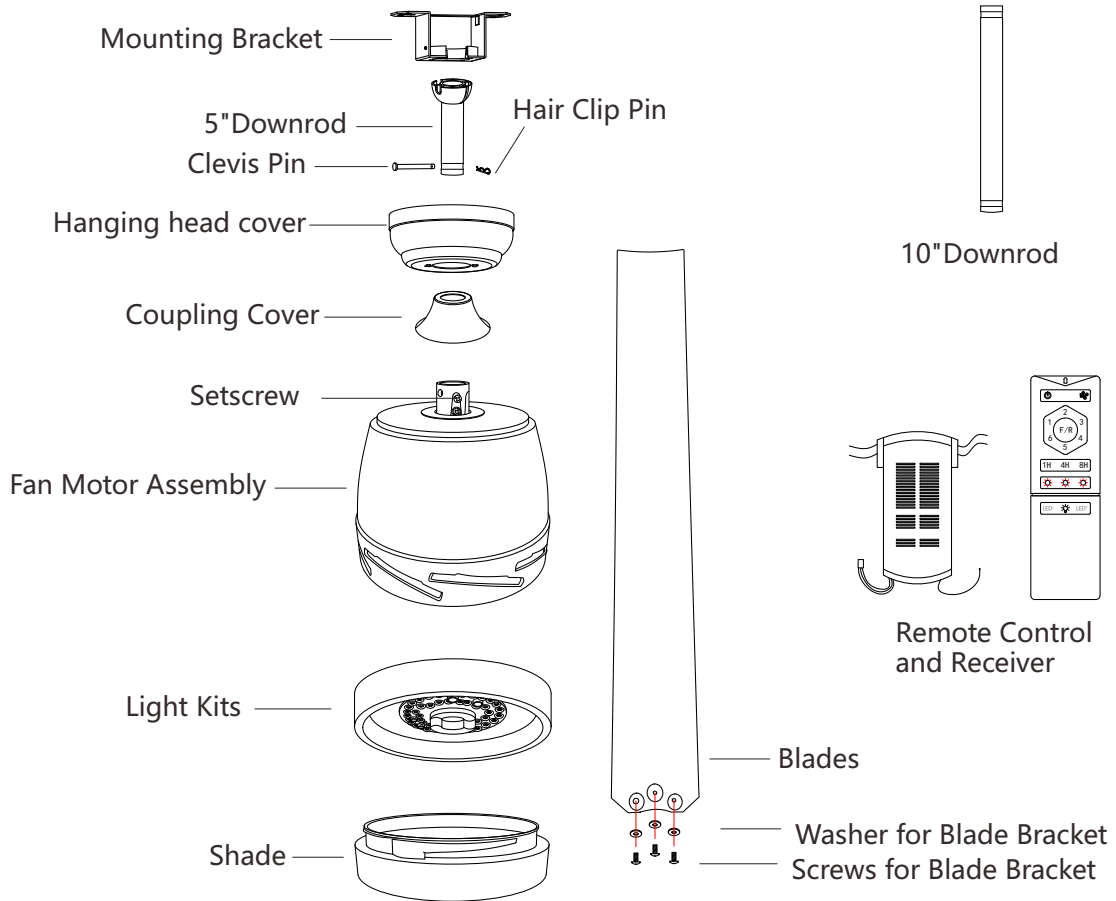
are not good at performing electrical work. It's the licensed electrician who installs the fan, if required by the local code. Do not use the fan with a dimmer switch. Turn off power at breaker.



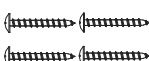

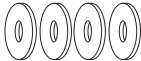
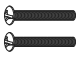







Tools and Materials Required



PRODUCT INSTRUCTION




SCREW BAG

 #10-12*38mm Setscrew	 Screw Spring Washer	 Screw Washer	 #8-32 Setscrew	 Star Washers	 Wire Connectors	 Setscrew Stopper	 Self-tapping screw	 Balance Pack	 M5*12mm Setscrew	 Screw Washer
4 pcs	4 pcs	4 pcs	2 pcs	2 pcs	4 pcs	2 pcs	2 pcs	1 pcs	26 pcs	26 pcs

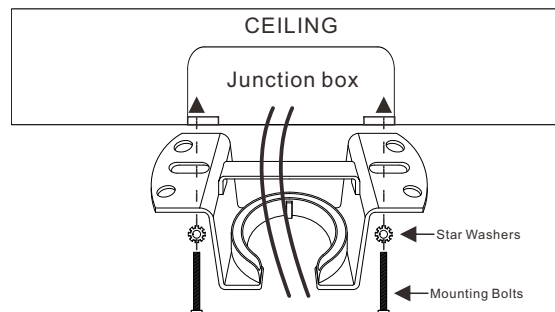
INSTALLING THE FAN

Tools required: phillips screwdriver, a pair of pliers, straight slot screwdriver, adjustable wrench, step ladder, and wire cutters.

INSTALLING THE MOUNTING BRACKET

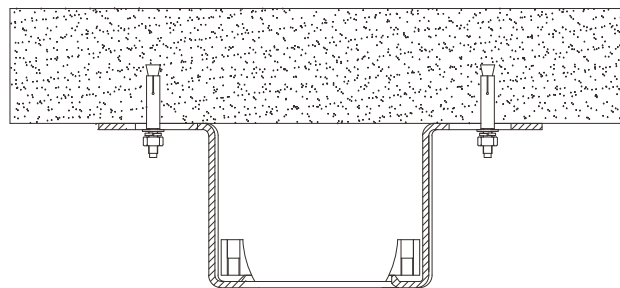
 The ceiling fan must be installed in the location where there is 12" (300mm) spacing from the tips of all blades to the nearest objects or walls. REMEMBER to turn off the power before hanging the fan. Follow the instruction below to hang your fan properly:

1. Thread the wires in the junction box through the Mounting Bracket. Fasten the hanger to the junction box using #8-32 Mounting Bolts(2) and Star Washers(2)

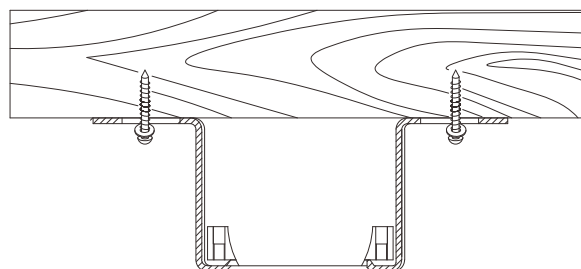


2. For concrete ceiling, drill two holes in the ceiling and secure the mounting bracket to the ceiling with two 0.32" (8mm) (distance between the two holes should be appropriate) expansion screws, flat washers nuts provided and tighten with a spanner.

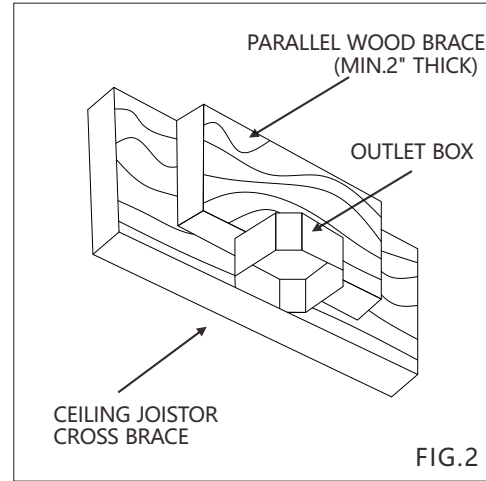
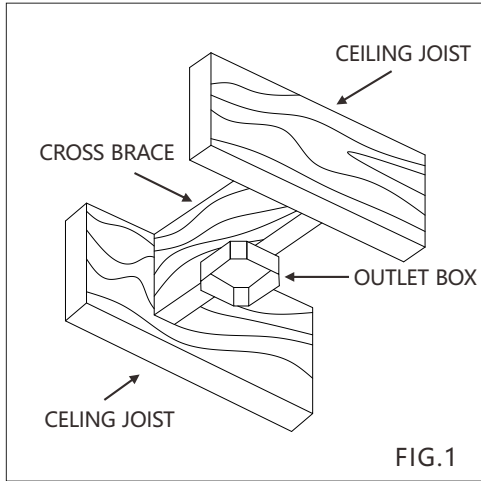
(Expansion screws are not included in the screw package and need to be purchased separately)



3. For wood ceiling, secure the mounting bracket to the ceiling that is capable of carrying a load of at least 100lbs (45kgs) with four long mounting screws and washers provided. Be sure at least #10-12(38mm) of the screw is threaded into the support.

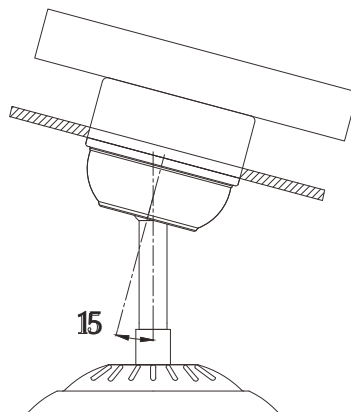


4. For installing the outlet box, secure it directly to the building structure. Use appropriate fasteners and building materials. The outlet box and its support must be able to fully bear the moving weight of the fan (at least 100lbs). Use a UL listed metal outlet box instead of plastic ones. Figure 1& 2 show the examples of mounting the outlet box.



4. Refer to the Fig. on the right to mount when the ceiling is angled (Max. 15°).

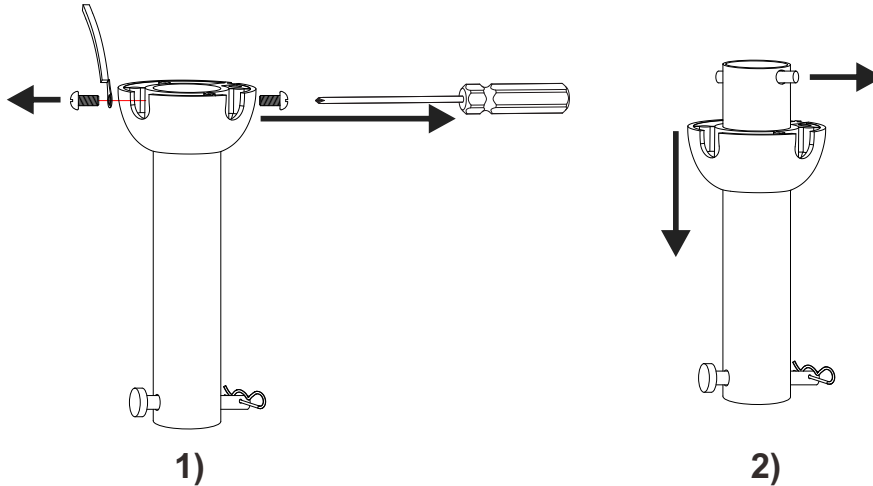
NOTE: The hanger must be able to withstand the weight of 100lbs (45kgs) or more after the installation



INSTALLING THE DOWNROD

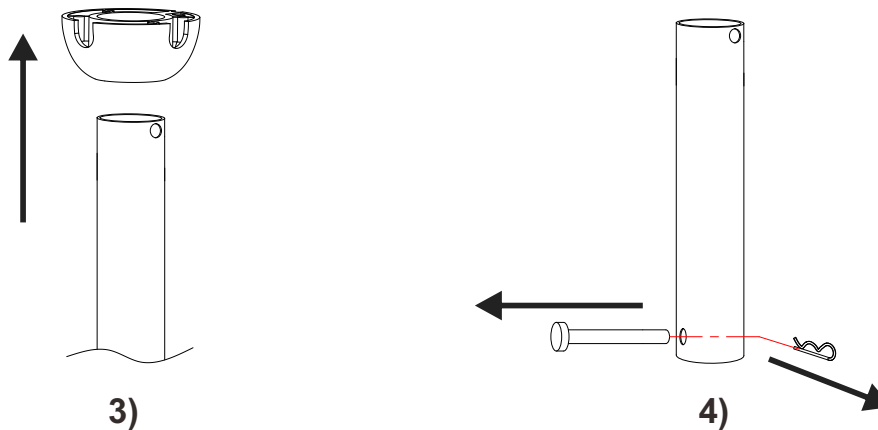
1. Take Downrod apart.

- 1). Remove the two screws and the whole green line from the hemisphere
- 2). Push the hemisphere down to expose the crossbar and remove it

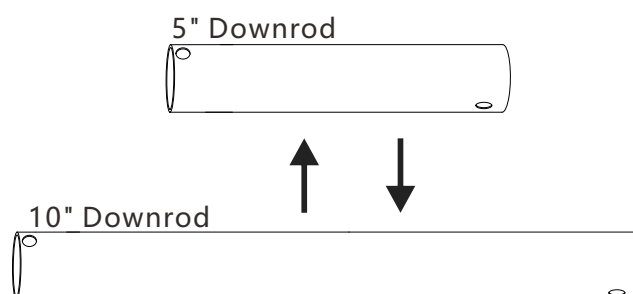


3). Remove the hemisphere from the down rod

4). Pull out the "R" clip, then remove the lower crossbar



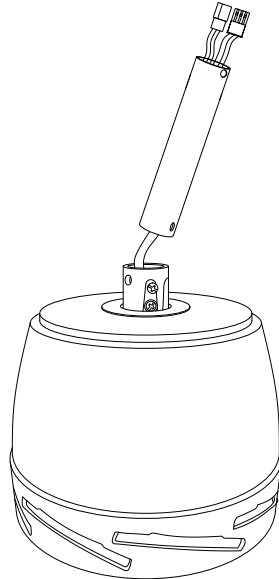
Then you can also replace the 5 "short rod with a 10" long rod.



INSTALLING THE DOWNROD

2. Install Downrod on the fan body.

1). Pass the lower rod through the wire and place it on the connector

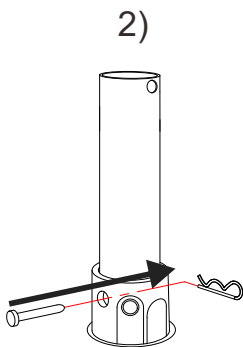


1)

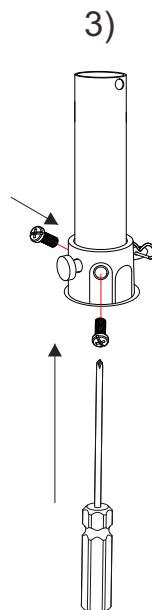
2). Pass the lower bar through the large hole and lock the " R " clip

3). Lock the two screws

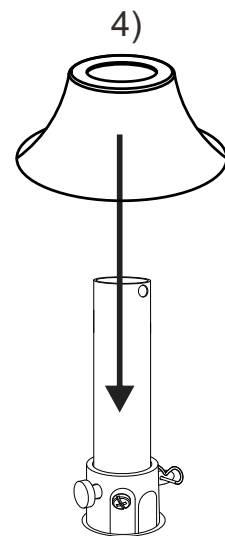
4). Pass the Coupling Cover through the downrod



2)



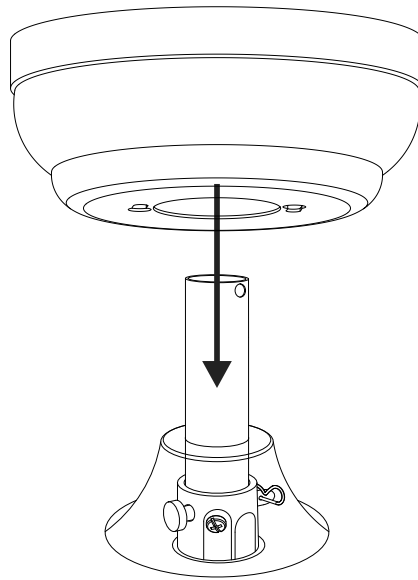
3)



4)

INSTALLING THE DOWNROD

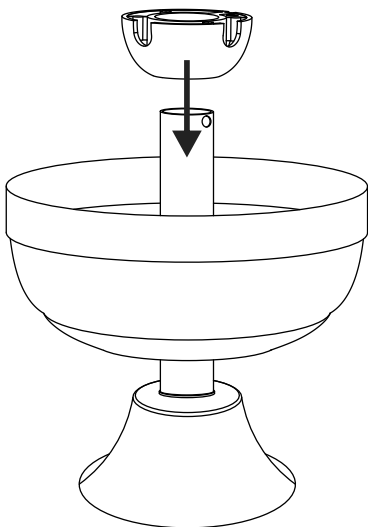
5).Put the Hanging head cover through the downrod



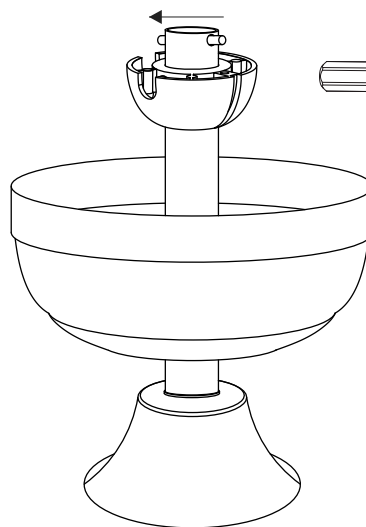
5)

2.Install hemisphere on downrod

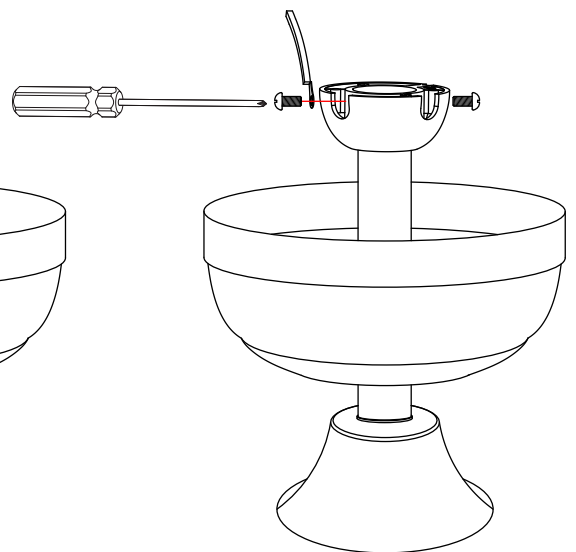
- 1).Pass the hemisphere through downrod
- 2).Push the crossbar through the large hole, then pull the hemisphere up to snap the crossbar into the slot
- 3).Finally, install the two screws and the green ground wire back into place and lock them



1)



2)

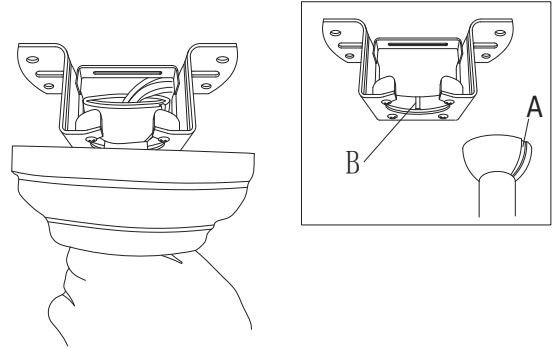


3)

INSTALLING THE FAN TO MOUNTING BRACKET ON CEILING

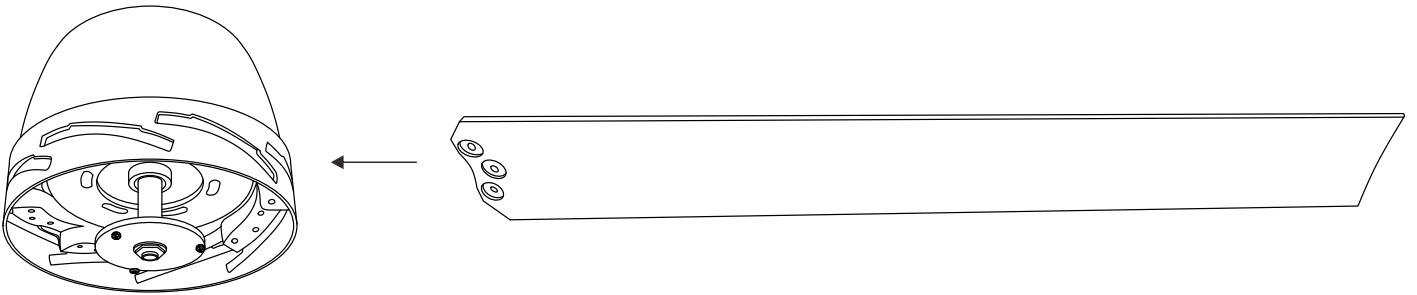
⚠ WARNING: To avoid possible electrical shock, be sure the electricity is turned off in the main fuse box before wiring.

Carefully lift the fan assembly onto mounting bracket and rotate the fan until the notch on downrod ball "A" engages the ridge on the mounting bracket "B". This will allow for hands free wiring.



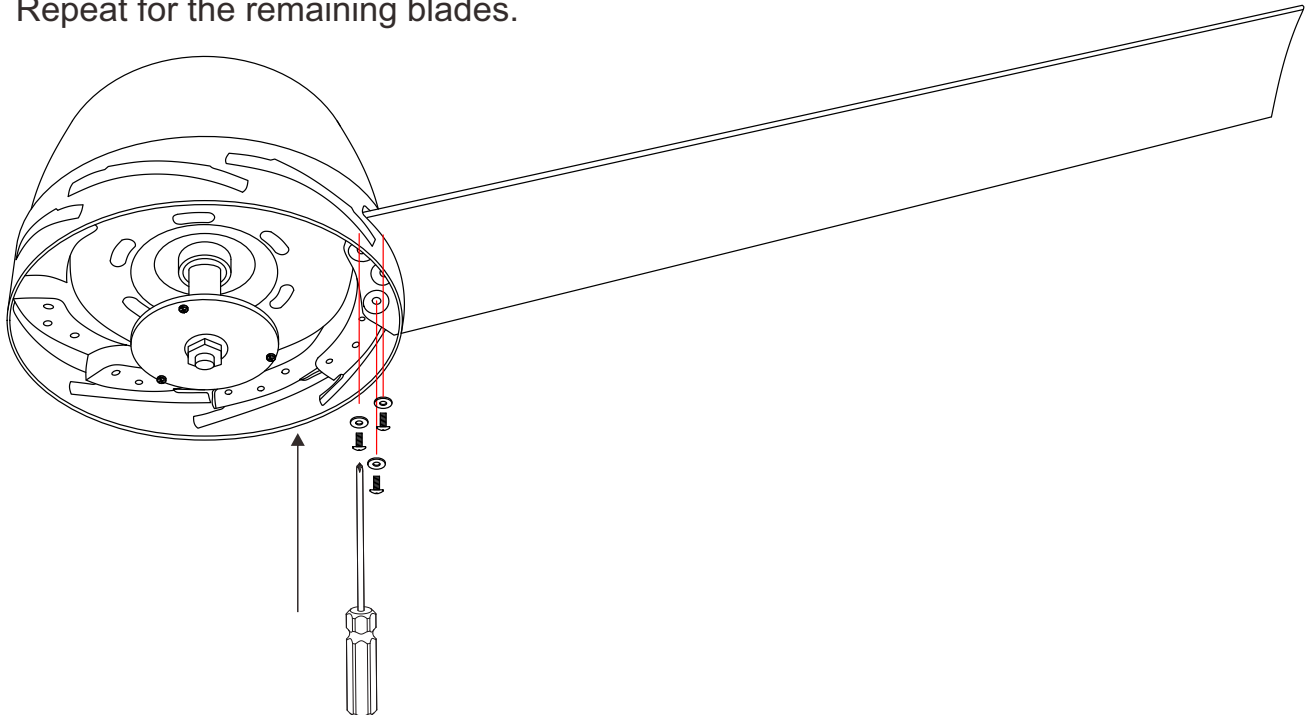
INSTALLING THE BLADE

Step 1. Insert the three-hole side of the fan blade into the corresponding four slots of the host



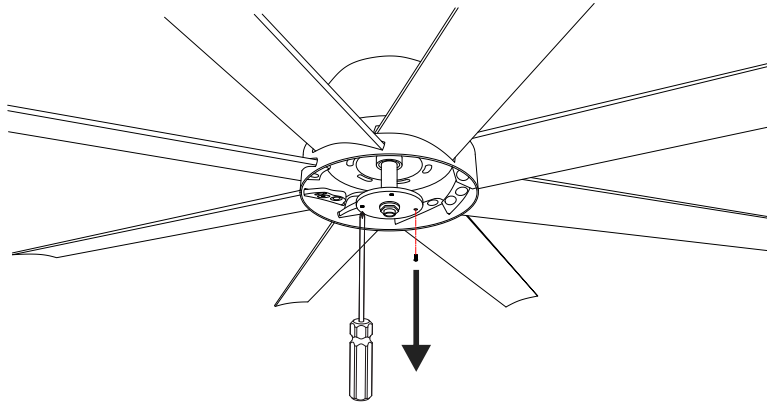
Step 2. Align the three screw holes and secure them to the host using the fan screws and spacers in the screw pack

Step 3. Repeat for the remaining blades.

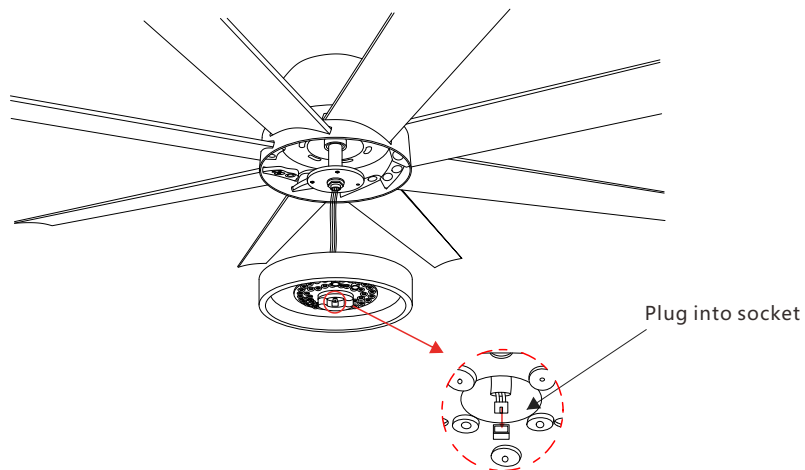


INSTALLING THE LIGHT KIT

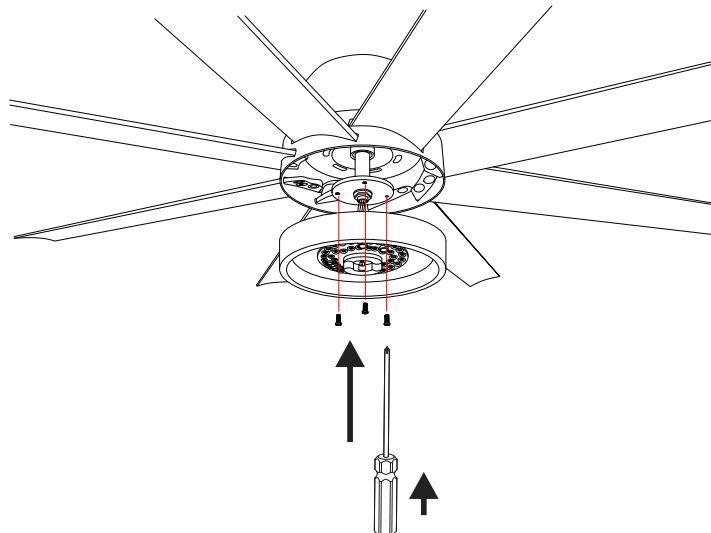
1. Remove the three screws from the base



2. Thread the Light cord through the center hole of the Light kit and plug it into the socket



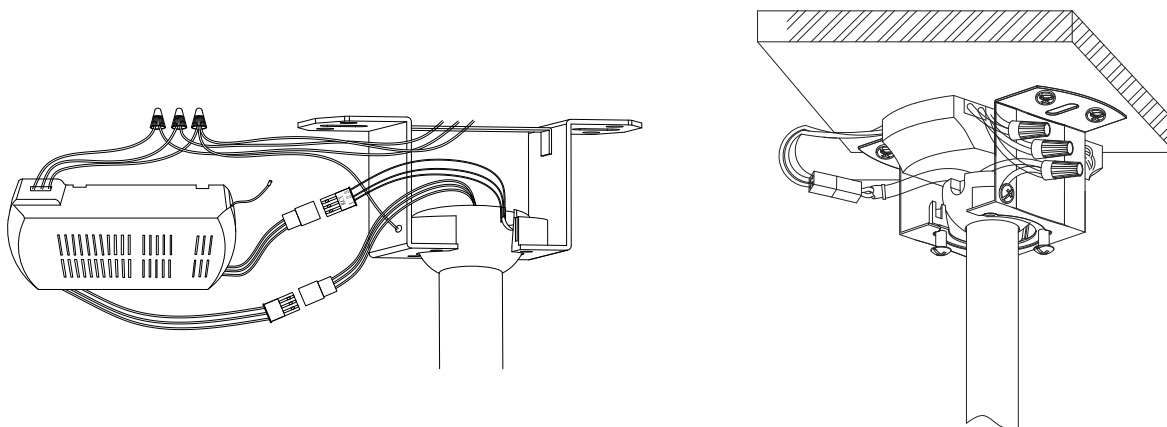
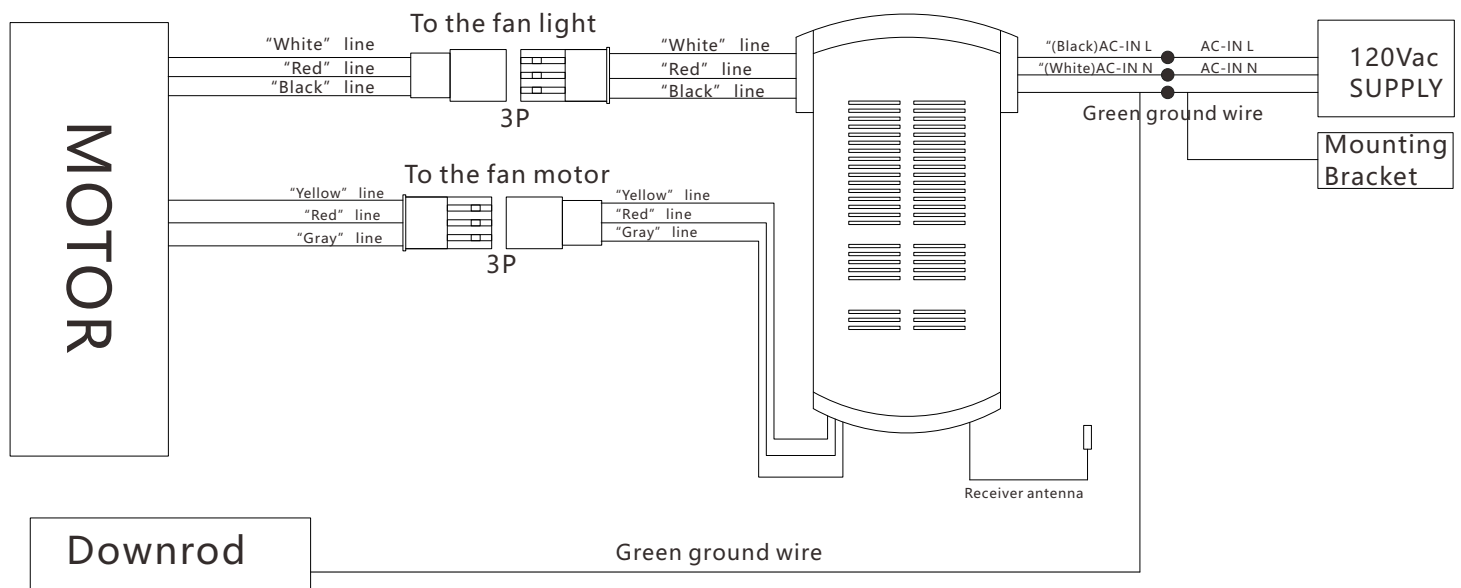
3. Install the light Kit on the base with the three screws



MAKE THE ELECTRIC CONNECTIONS

! WARNING: To avoid possible electrical shock, be sure the electricity is turned off in the main fuse box before wiring.

1. Connect the fan to the remote control. The fan's 3P plug should insert into the remote control's 3P plug.
2. Connect the light to the remote control. The light's 3P plug should insert into the remote control's 3P plug.
3. Connect the remote control to the house's power line, then connect the remote control's white wire to the house's white wire. Connect the remote control's black wire to the house's black wire, and connect all the fans' green ground wires to the house of ground wires. Secure wires.

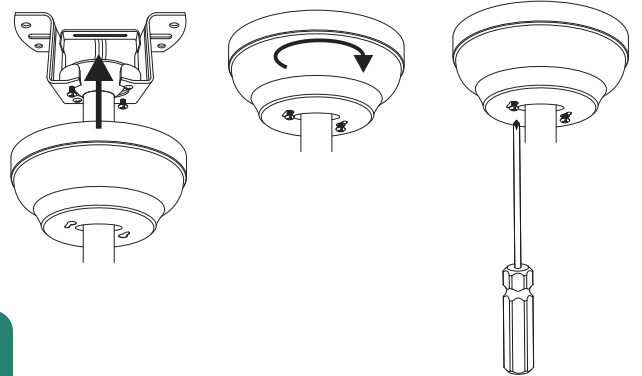


When the remote control is connected, place it over Mounting Bracket inside and arrange the wires.

INSTALLING THE CANOPY

Loosen the 2 screws on the bottom of mounting bracket but do not remove them. Raise the canopy up and align the keyholes on the bottom of the canopy with the 2 screws on the bottom of mounting bracket.

Rotate the canopy until both screws from the mounting bracket drop into the slot recesses. Tighten screws.

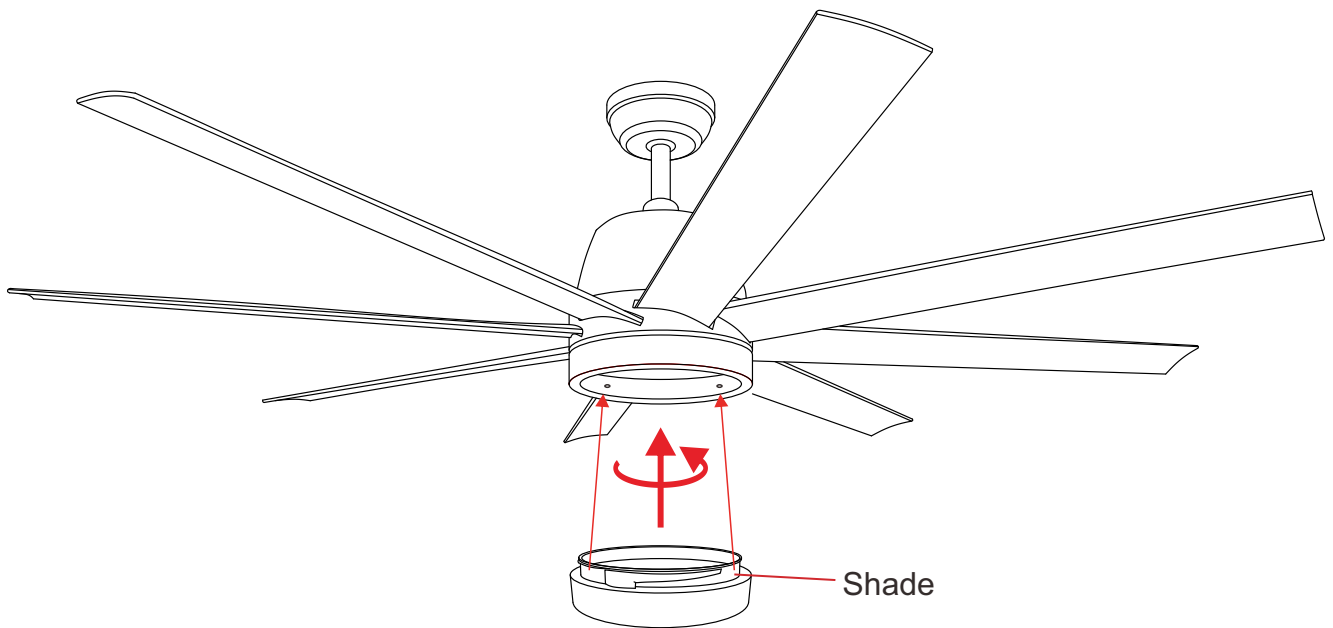


LAMP SHADE MOUNTING

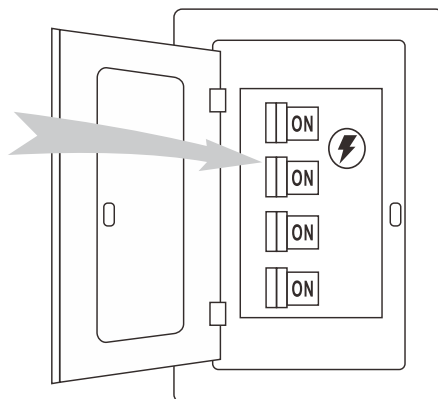
1.The lampshade is a round sheet of acrylic sheet, which can be placed directly into the lamp tray

2.If you can't install it directly, try bending the acrylic sheet slightly during installation.

Note: Please do not bend or fold the acrylic sheet, which will cause damage to the acrylic sheet or cut the skin



Installation is now finished. Turn on the power . Then the fan lights are on. Test and pair your fan immediately using the remote control.



REMOTE CONTROL SETTING AND OPERATION

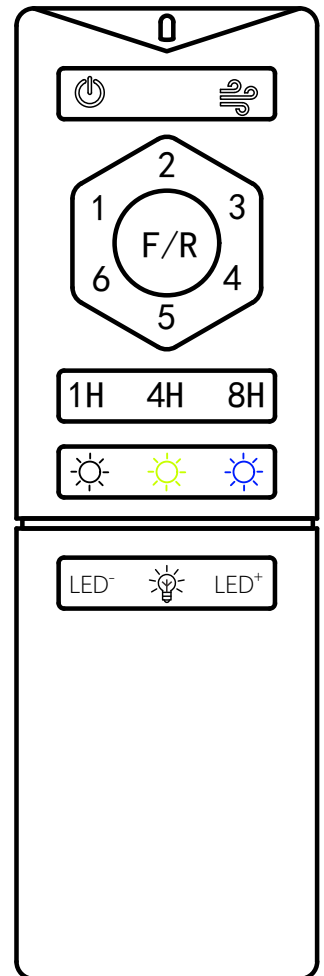
1. Restore electricity to the outlet box by turning the electricity on at the main fuse box.
2. Remove the battery cover from the remote control transmitter, install the battery, and replace the cover.

Note: 1). Please use two 1.5v AAA sections to power the remote transmitter
 2). If not used for a long period of time, remove the battery to prevent damage to the remote transmitter, and store the remote transmitter away from excess heat or humidity.
 3). Batteries are **not** included in the package, please purchase separately



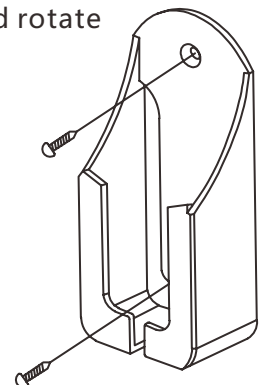
3. The buttons on the remote control transmitter control the fan speed and light as follows.

Key	Function
	Turns the fan off
	When pressed, starts the fan in preset mode, alternately up shifting and downshifting the speed level. Hold down for five seconds to turn the beep off or on
1-6	Starts the fan at the indicated speed level from low (1) to high (6)
F/R	Reverses the fan's direction
1H	Runs the fan for 1 hour and then turns it off
4H	Runs the fan for 4 hours and then turns it off
8H	Runs the fan for 8 hours and then turns it off
	Adjust LED color temperature to coldest (white 6000K)
	Adjust LED color temperature to minimum (yellow 3000K)
	Adjust LED color temperature to medium (white + yellow 4500K)
	Turns the LED light on or off
LED⁺	Increases the brightness of the LED light
LED⁻	Decreases the brightness of the LED light



Press the F/R key when the fan is running, and the fan will automatically stop and rotate in the opposite direction.

If needed, install the remote control holder onto a wall or any other suitable flat surface using appropriate fasteners. For wood or other thinner and weaker surfaces, use the provided steel screws and plastic anchors. For reinforced concrete or similar surfaces, use anchor bolts for best results.



HOW TO USE BALANCING KITS

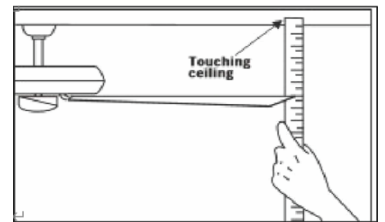
NOTE: ceiling fans tend to move during operation due to the fact that they are mounted on a Sponge cushion. if the fan was mounted rigidly to the ceiling, it would cause excess vibration, movement of a few centimeters is quite acceptable and does not suggest any problems

TO REDUCE FAN WOBBLE: PLEASE CHECK THAT ALL SCREWS WHICH SECURE THE MOUNTING BRACKET AND DOWNROD ARE SECURE

BALANCING A WOBBLING CEILING FAN

please follow this procedure when balancing the fan:

1. Check that all blades and blade arm screws are secure.
2. Most fan wobbling problems result from blade levels are unequal. Check this level by selecting a point on the ceiling above one fan blade's tip. Measure this distance. Rotate the fan until the next blade is positioned for measurement. Repeat for each blade. The distance deviation should be equal within 1/8" (0.32cm).
3. Use the enclosed blade balancing kit if the blade wobbling is still noticeable.
4. If the blade wobble is still noticeable, interchanging two adjacent (side by side) blades can redistribute the weight and possibly result in smooth operation.



WARNING: TO REDUCE THE RISK OF PERSONAL INJURY, DO NOT BEND THE BLADE ARM WHILE INSTALLING, BALANCING THE BLADES, OR CLEANING THE FAN. DO NOT INSERT OBJECTS BETWEEN ROTATING FAN BLADES

NOISE

It's normal to hear small occasional noises when in quiet night or days.

Please allow a **24-hour** "breaking-in" period, most noises of a new fan disappear during the time.

MAINTENANCE AND CLEANING

1. Periodically cleaning your ceiling fan is the only required maintenance. Use a soft brush or lint free cloth to avoid scratching the paint. Please turn off the electricity power before you clean your fan.
2. Do not use water when cleaning your ceiling fan. It could damage the motor or the blades or even evoke an electrical shock.
3. The motor has permanently lubricated ball bearing. No need to oil

NOTE: MAKE SURE THE POWER IS OFF IN THE ELECTRICAL PANEL BOX BEFORE YOU DO ANY CLEANING OR REPAIRS

TROUBLESHOOTING

Your fan may occasionally jerk forward or backward upon starting up.

This is normal and does not affect the fan operation.

Try these troubleshooting steps before contacting customer service.

SYMPTOM	POSSIBLE SOLUTIONS
The fan doesn't spin	<ol style="list-style-type: none"> 2. Check the functionality of circuit breaker or fuse panel and wall switch. 3. Confirm fan wires are correctly connected to the house wires. 4. Make sure the blocker of the fan motor is removed. 5. Use your remote to check the power to the breaker and try to work your ceiling fan manually from afar (Normal switch only for the fan power on/off)
The fan's light does not work	<p>Make sure the LED light kit and light bulb are connected well.</p>
The fan is noisy and wobbling	<ol style="list-style-type: none"> 1. Confirm the blade screws are NOT rubbing against the the motor's round plastic part. 2. Confirm the pin wire are NOT connected against the moving part. 3. Confirm the coupling cover is NOT hitting the motor 4. Confirm the down rod is NOT slanted 5. Tighten any loose screws on the light kit, fan blades, motor coupling, down rod, brackets and mounting hardware. 6. Confirm the hanger ball is firmly seated in the mounting bracket. 7. The ceiling beam must meet the minimum tensile test strength of 30KG for installation. 8. Make sure the airfoils and brackets are NOT bent or deformed. 9. Confirm the wire connections are not rattling against each other. 10. Confirm the fan blades are not cracked. If the fan blades are cracked, replace the damaged blades with the set of new blades of same brand as your ceiling fan ensures the compatibility. 11. Change fan blades' positions. 12. Confirm the light kit is NOT slanting and hitting the motor. 13. Confirm all the blades are screwed firmly into blade holders.
The fan or light automatically turns on/off	<ol style="list-style-type: none"> 1. Confirm the circuit breaker is not malfunctioning. 2. Confirm the wire connections are not frayed. 3. Confirm the app does not set the timer or schedule 4. Power off the fan for 10 minutes, then power on again.