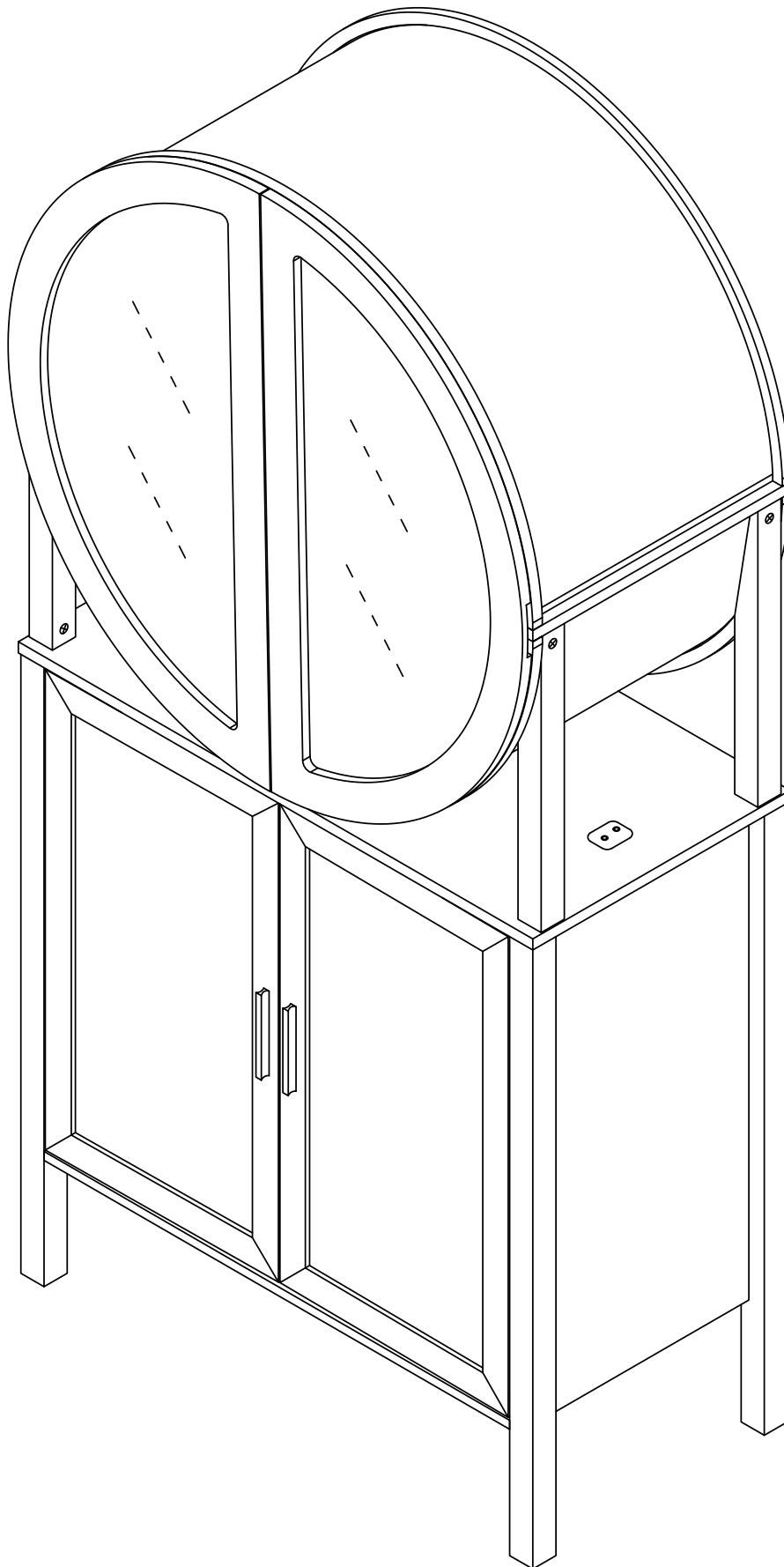
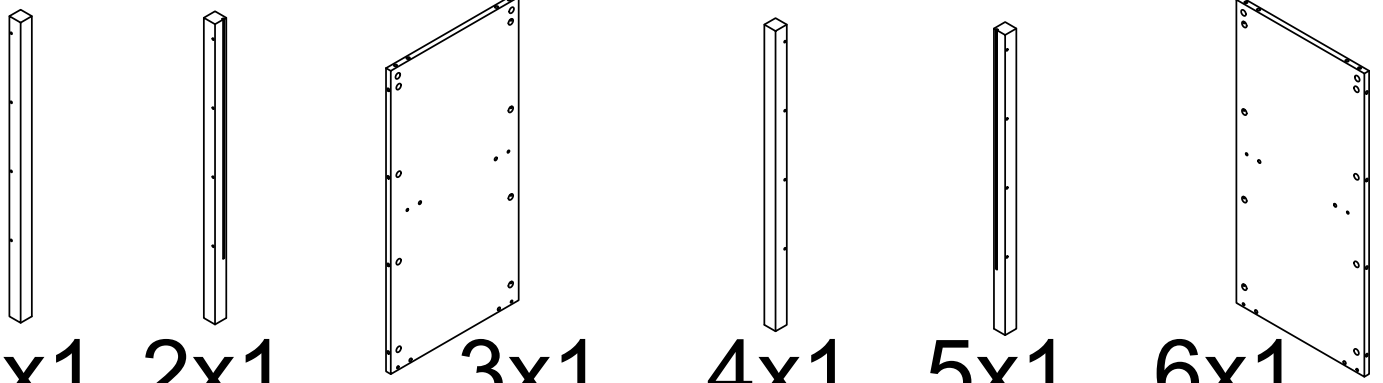
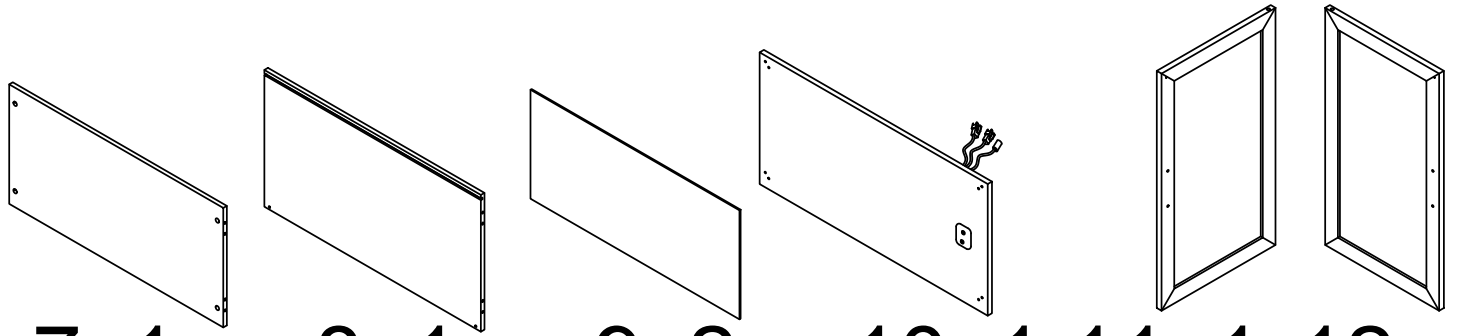


# Product Installation Instructions

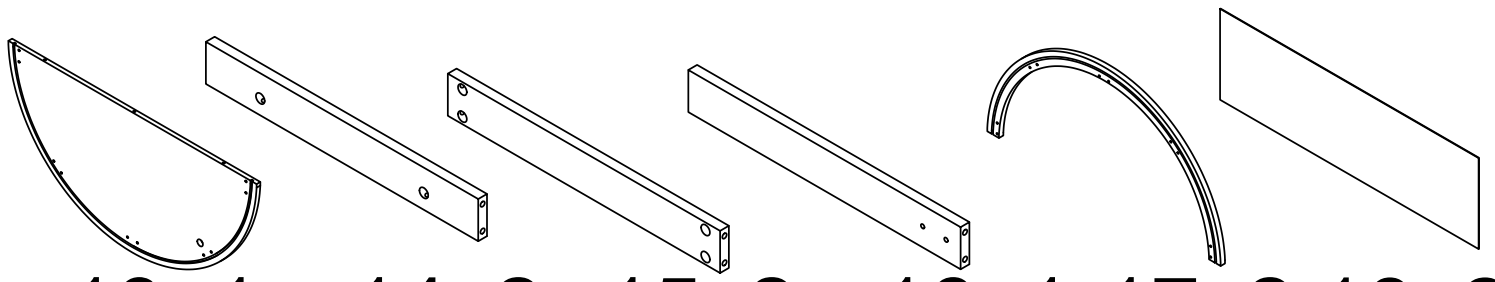




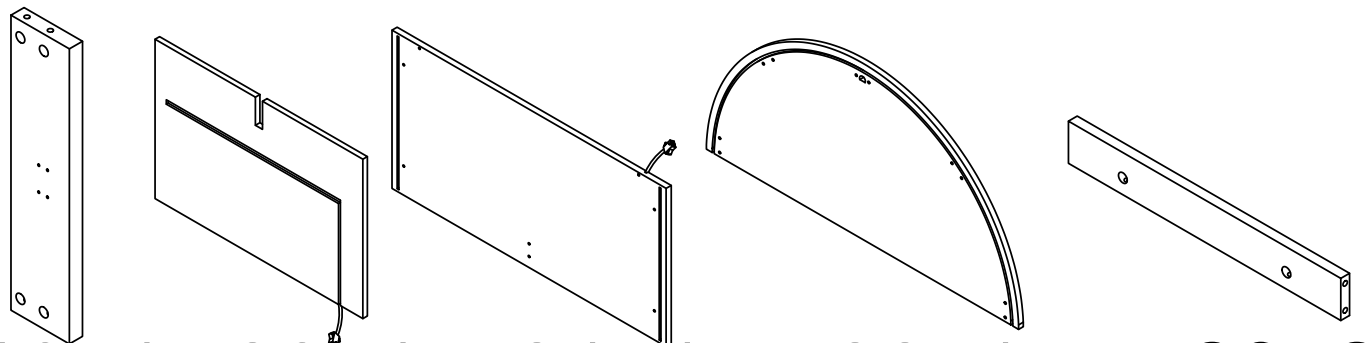
1x1 2x1 3x1 4x1 5x1 6x1



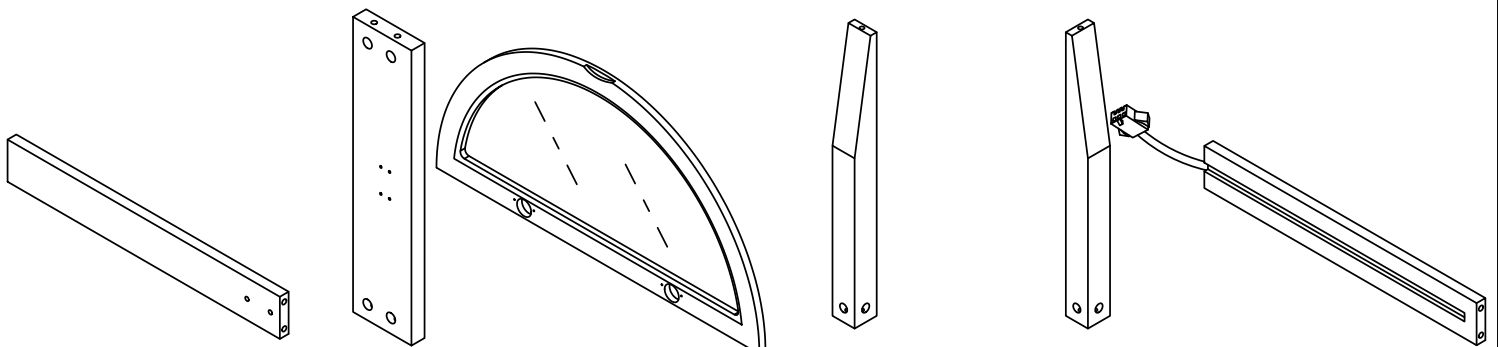
7x1 8x1 9x2 10x1 11x1 12x1



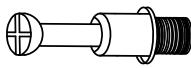



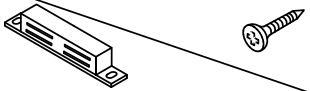
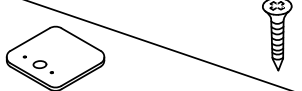
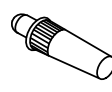
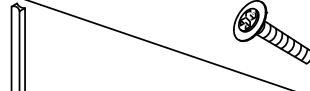




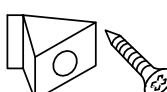


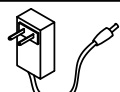
13x1 14x2 15x2 16x1 17x2 18x2



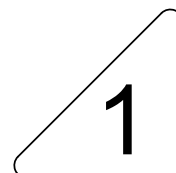
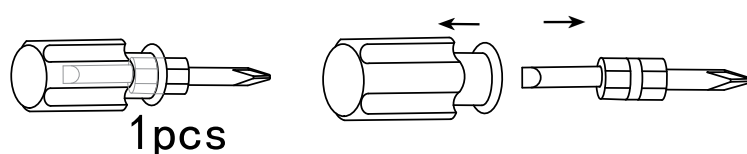
19x1 20x1 21x1 22x1 23x2



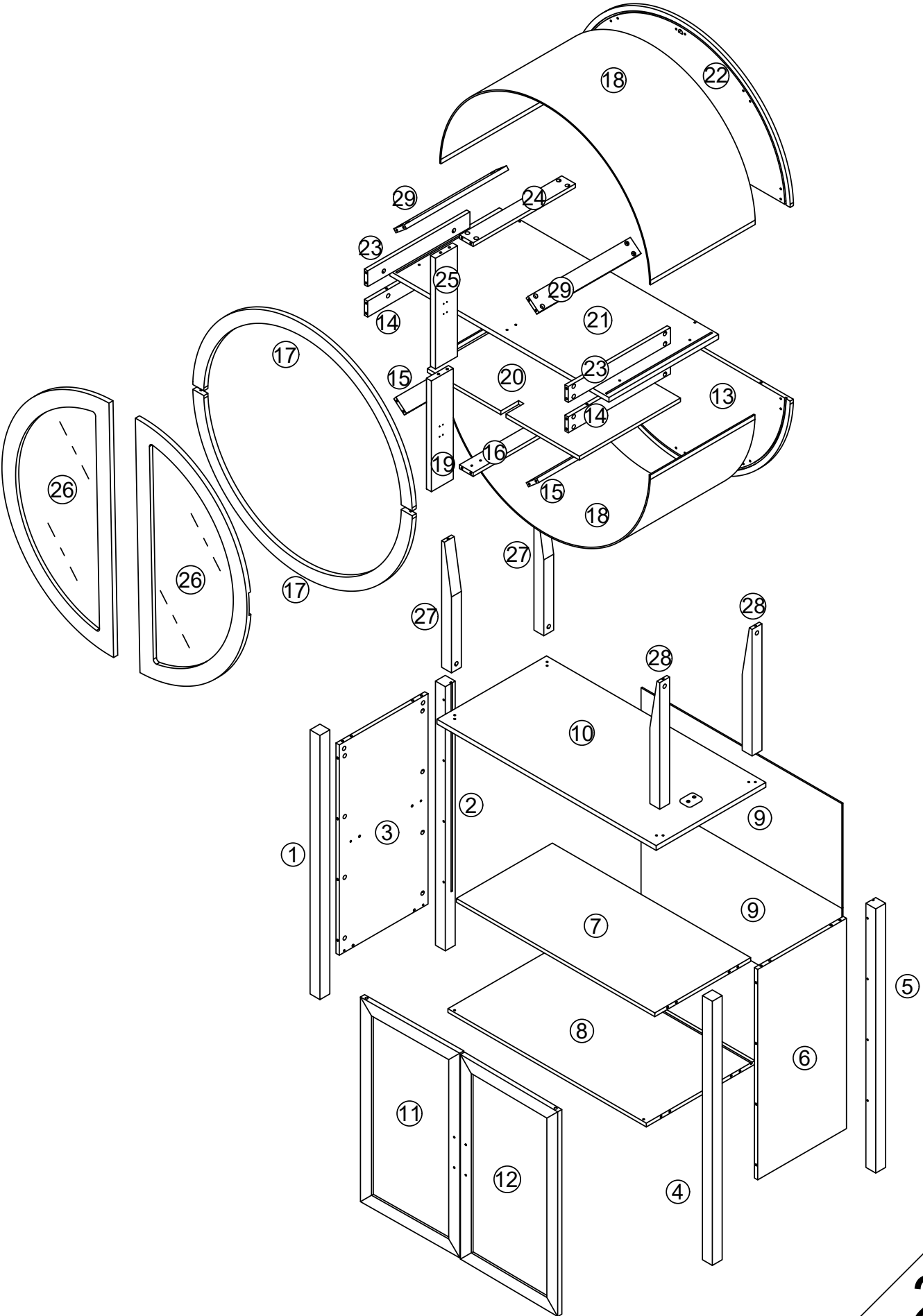
24x1 25x1 26x2 27x2 28x2 29x2

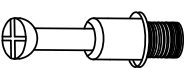








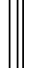



A		Two in one screw (6x28mm)	103pcs +10pcs
B		Two in one nut (10x12mm)	103pcs +10pcs
C		Wood Chipping (6x30mm)	12pcs +4pcs
D		Non-slip pads (35x35x2mm)	4pcs +2pcs
E		Door Magnet & Screw (3x12mm)	2pcs +1pcs 1pcs
F		Iron Sheet & Screw (3x12mm)	2pcs +1pcs 2pcs
G		Door Shaft	4pcs +2pcs
H		Handle & Screw (4x18mm)	4pcs +2pcs 2pcs
I		Hinge & Screw (3.5x12mm)	24pcs +4pcs 4pcs
J		Double end connecting line	2pcs
K	<p style="text-align: center;">Anti-tipping Tape Screw &amp; Gasket</p>  <p>1pcs      1pcs (3.5x12mm)      1pcs (4x45mm)      1pcs      2pcs</p>		
L		Wire clamp	4pcs +1pcs
M		Fixing clip & screw (3x16mm)	8pcs +1pcs
N		Foot nail	2pcs +2pcs
O		Sticker (φ 20mm)	16pcs +4pcs
/		AC/DC Adapter (12V=2.0A)	1pcs

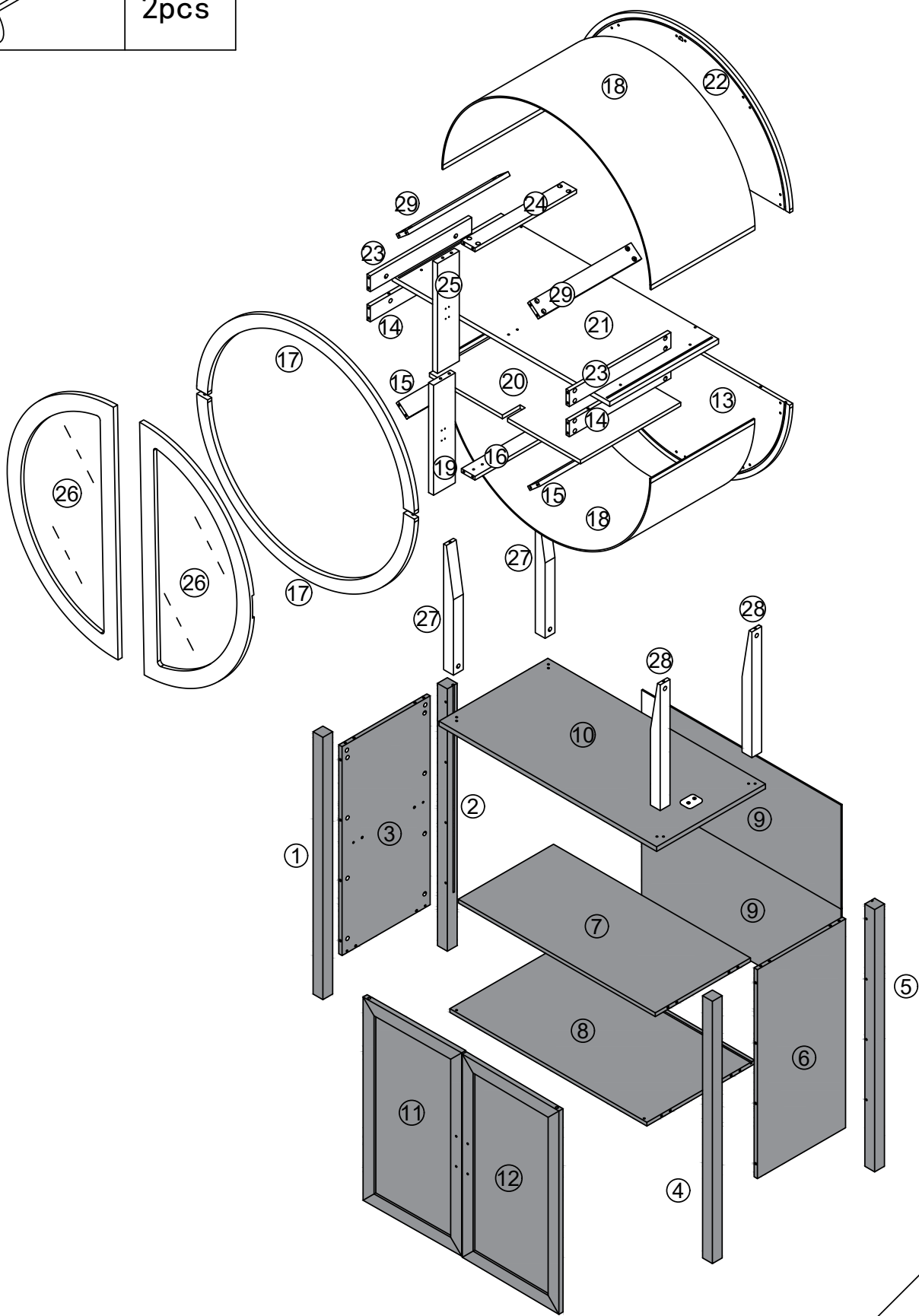
Double-head screwdriver, use as required



# Product structure decomposition

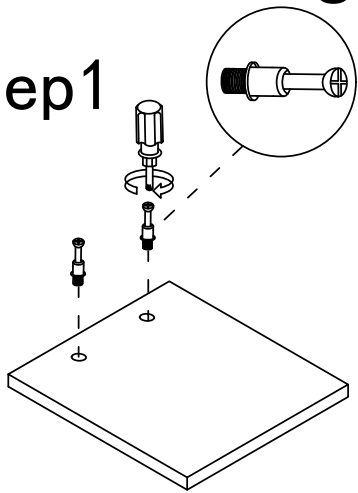


A		28pcs	B		28pcs	C		12pcs	
D		4pcs	E	 1pcs	 2pcs	F	 2pcs	 2pcs	
G		4pcs	H	 2pcs	 4pcs	M	 8pcs	8pcs	
N		2pcs							

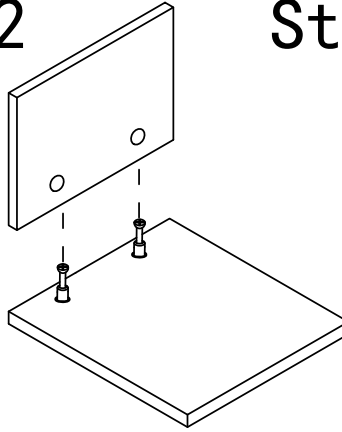


# Use parts A and B

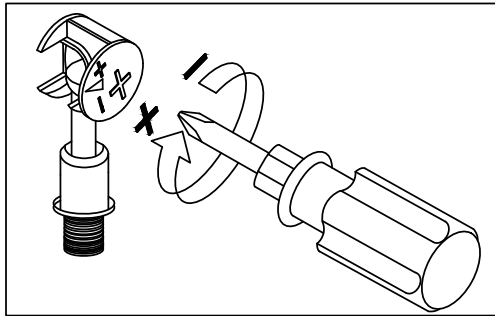
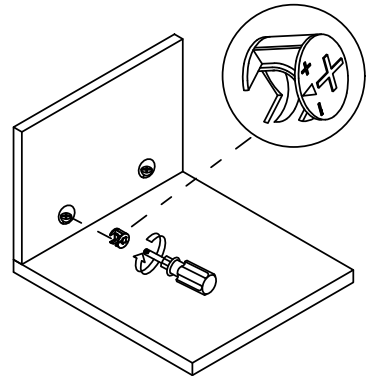
Step1



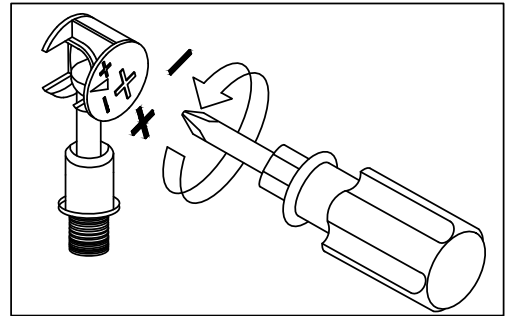
Step2



Step3

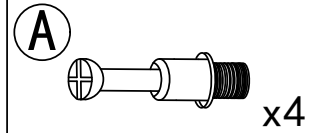
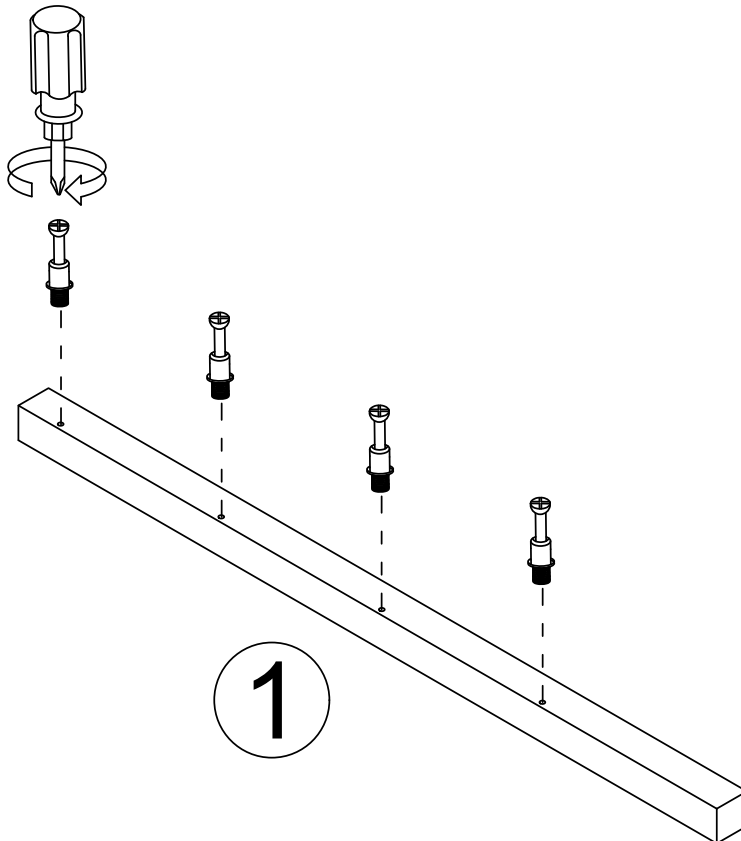


Use a screwdriver to lock in the direction of the "+" sign



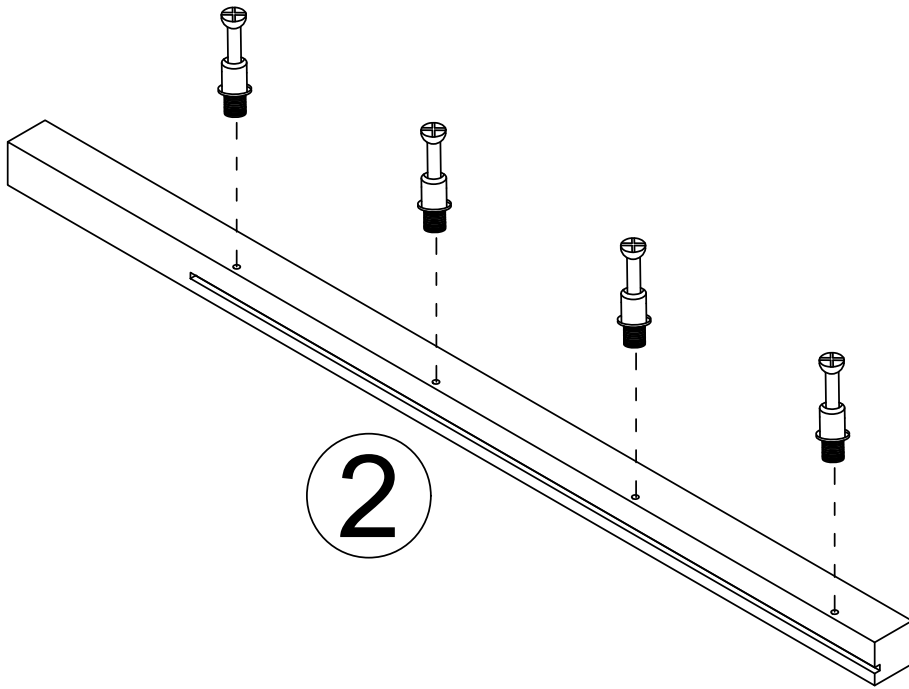
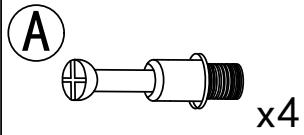
Disassemble along the direction of "-" sign

Step 1

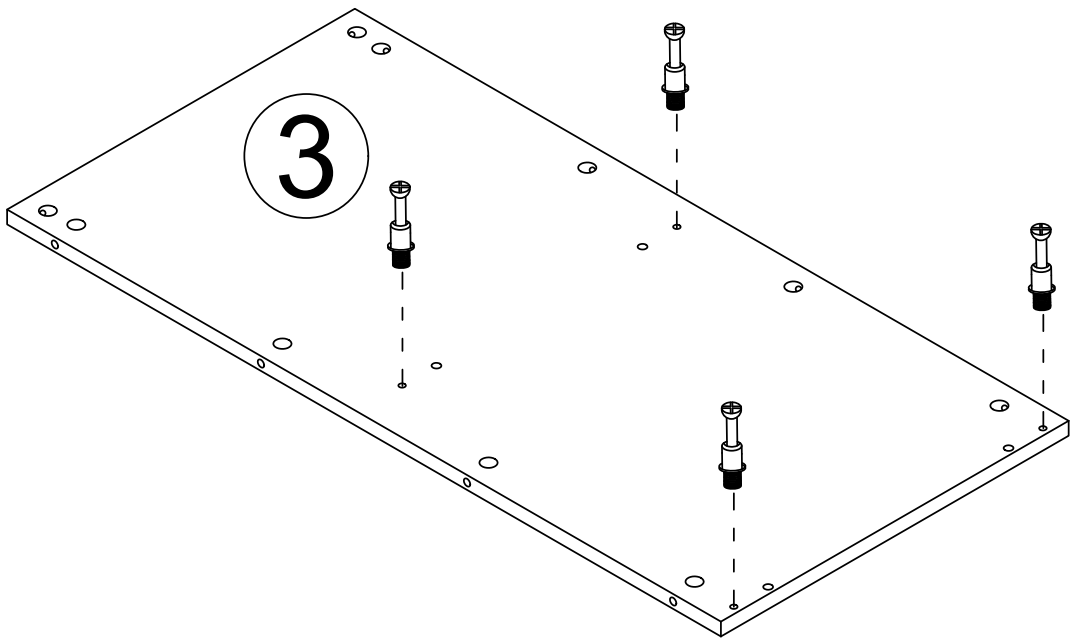
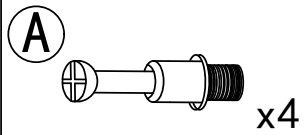


4

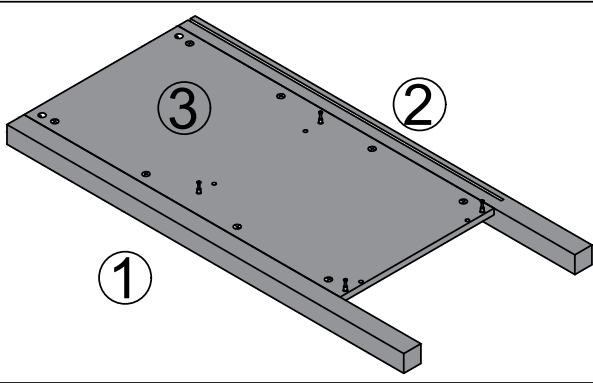
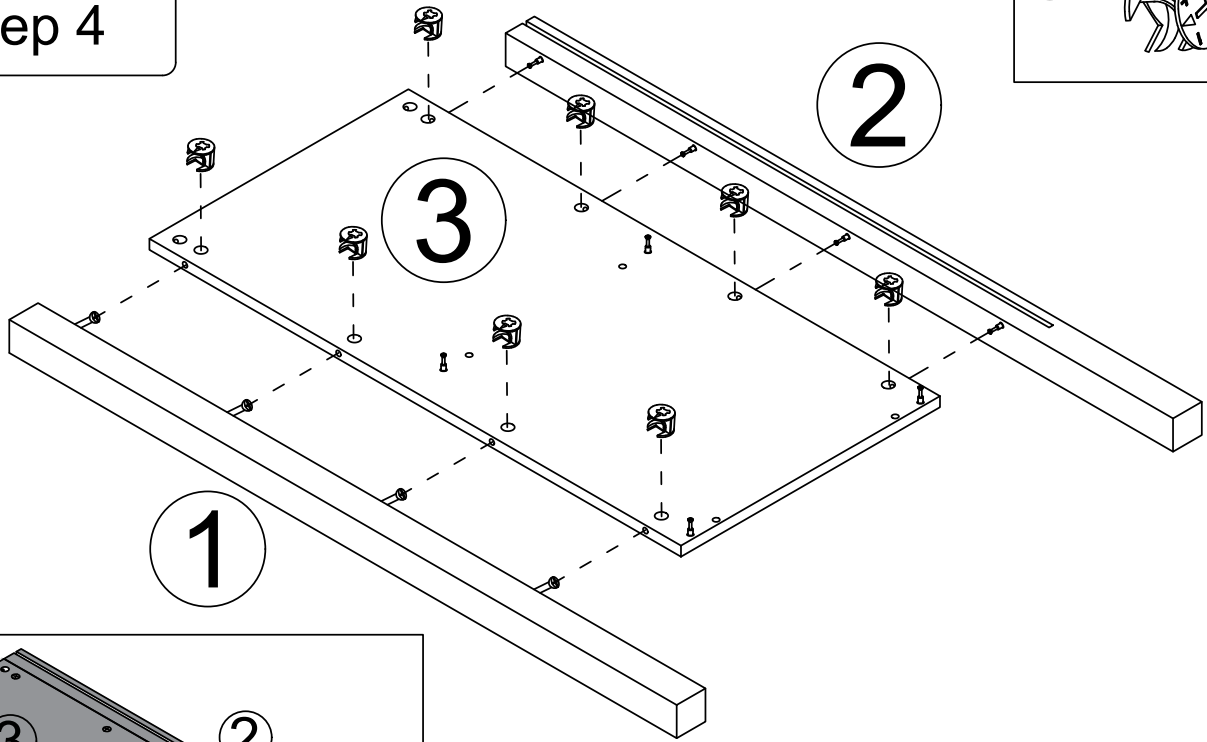
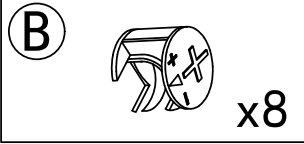
Step 2



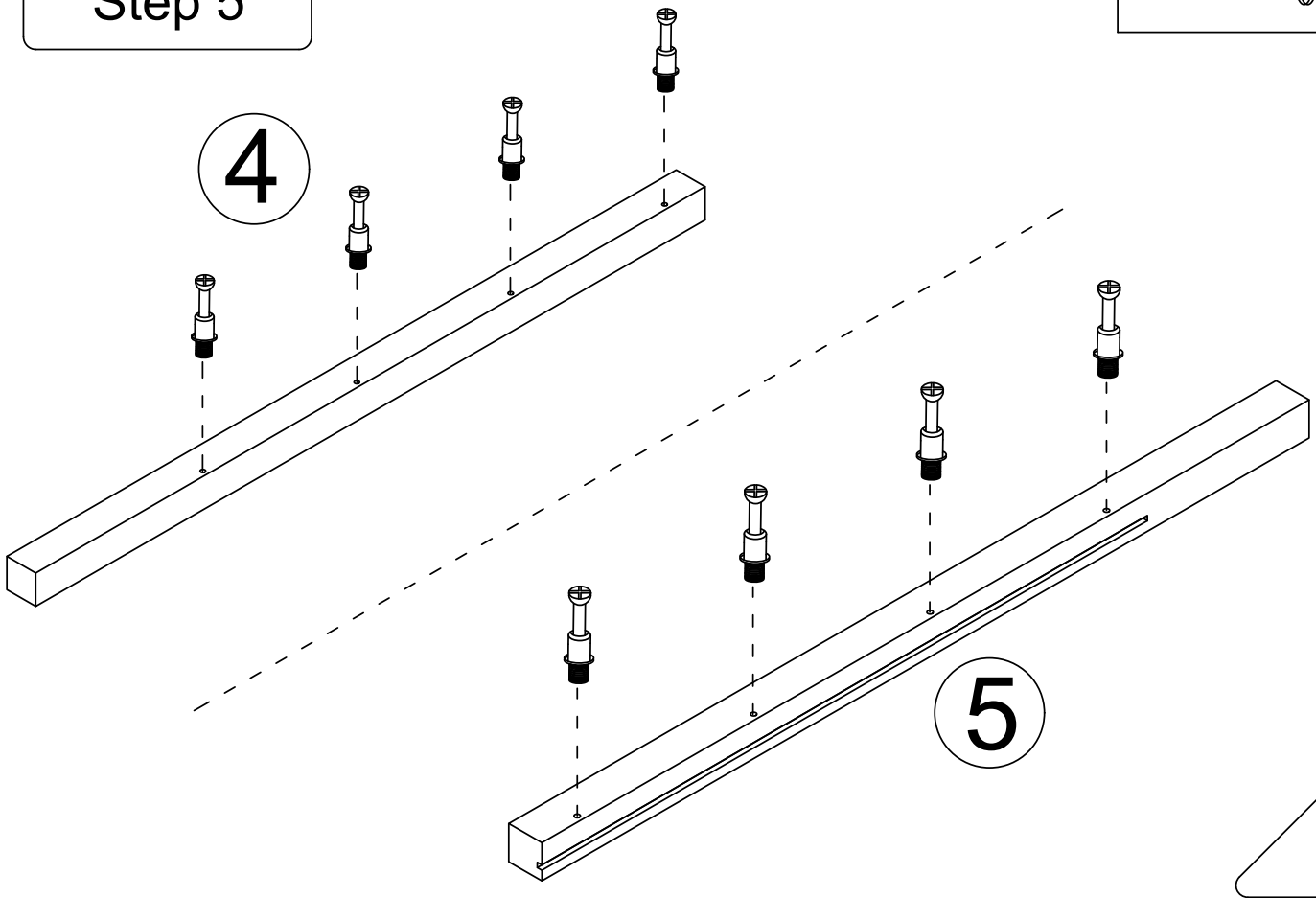
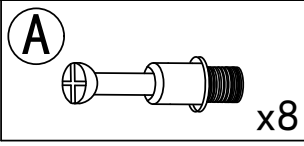
Step 3



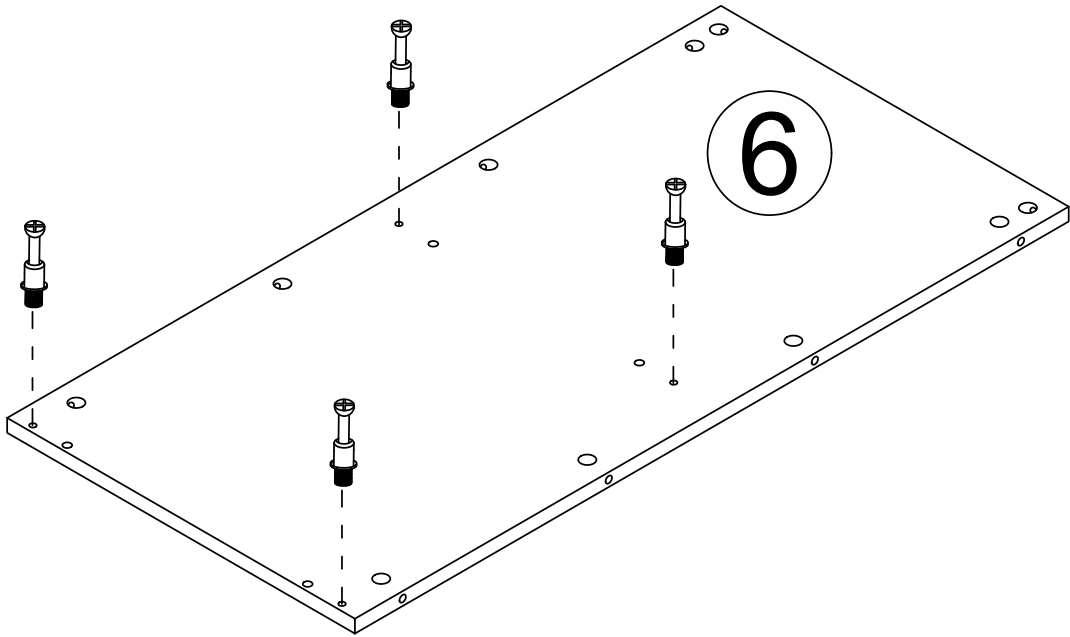
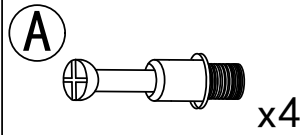
Step 4



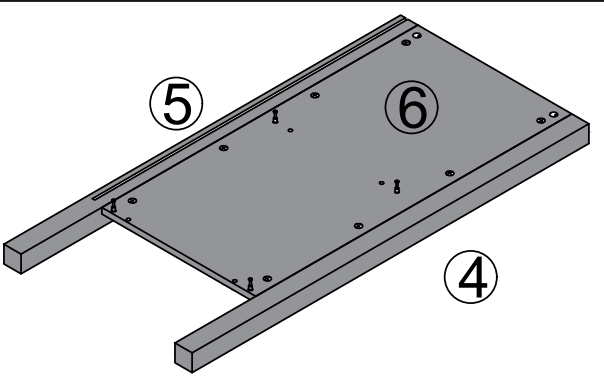
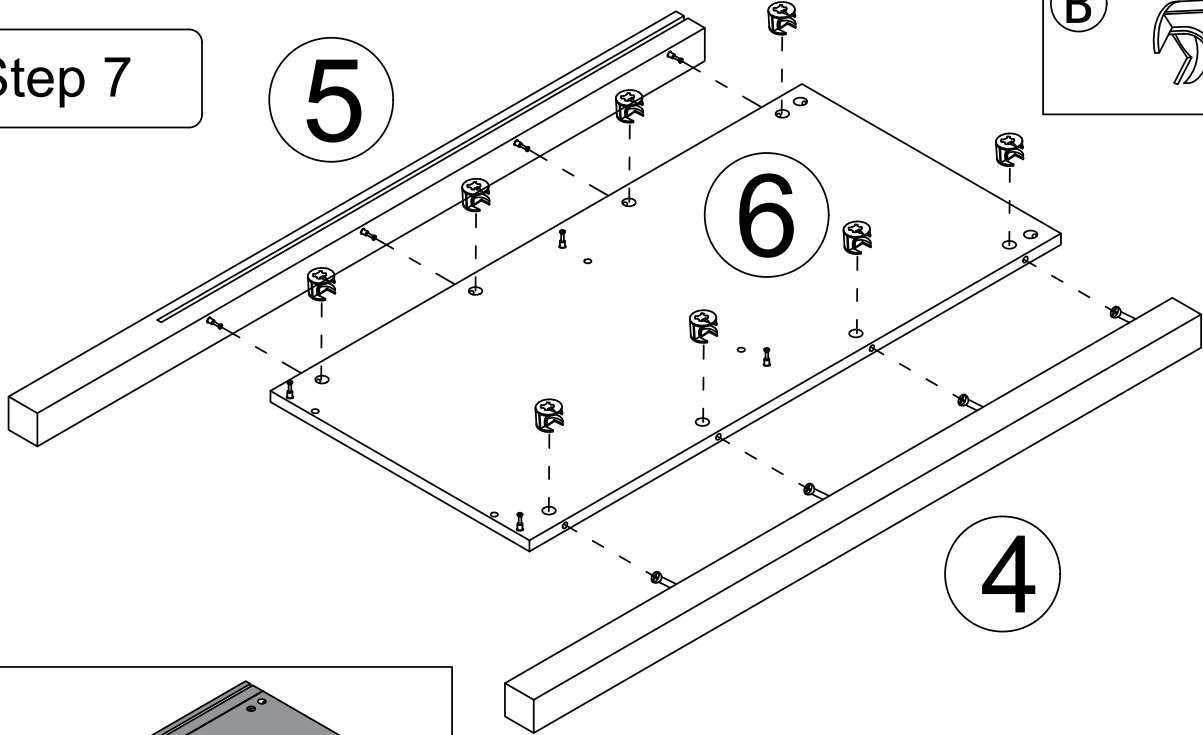
Step 5



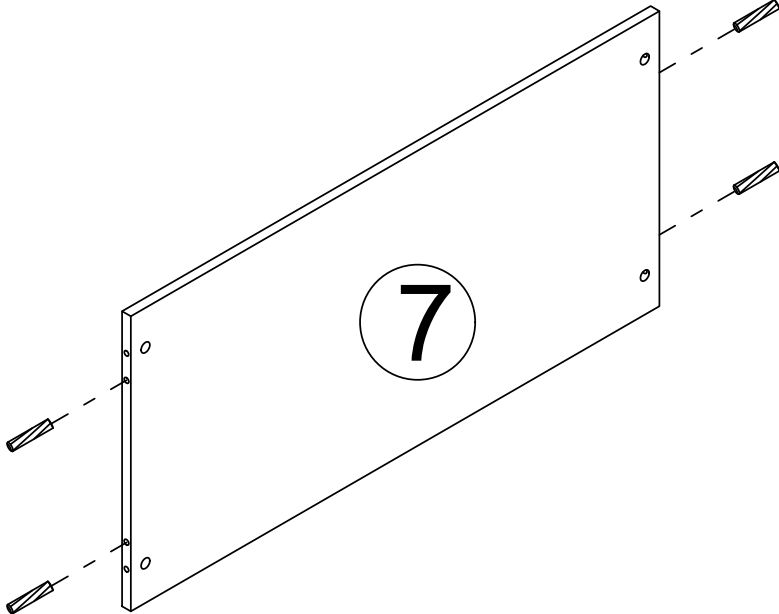
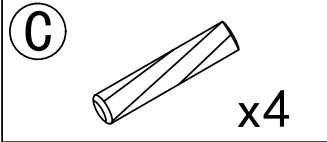
Step 6



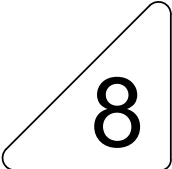
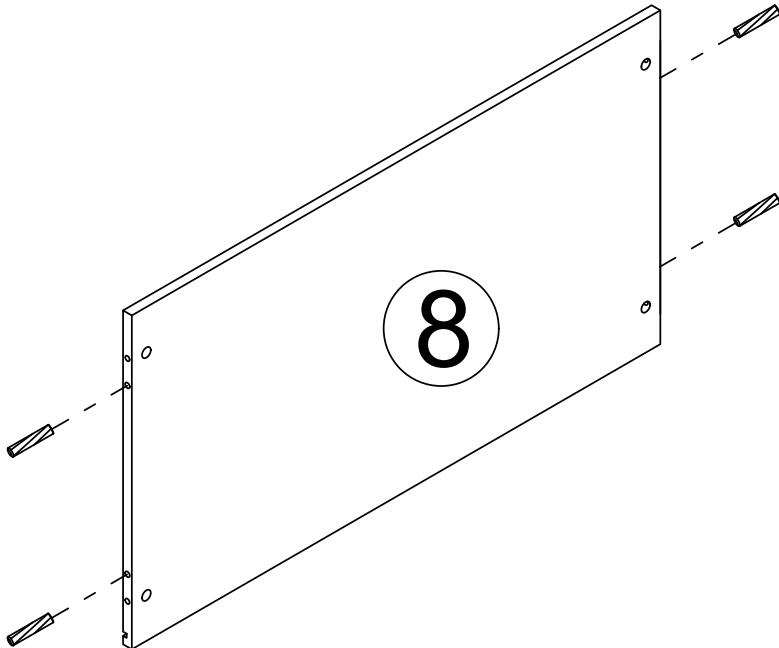
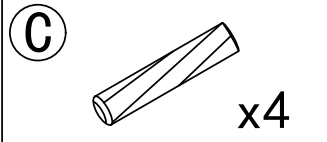
Step 7



Step 8

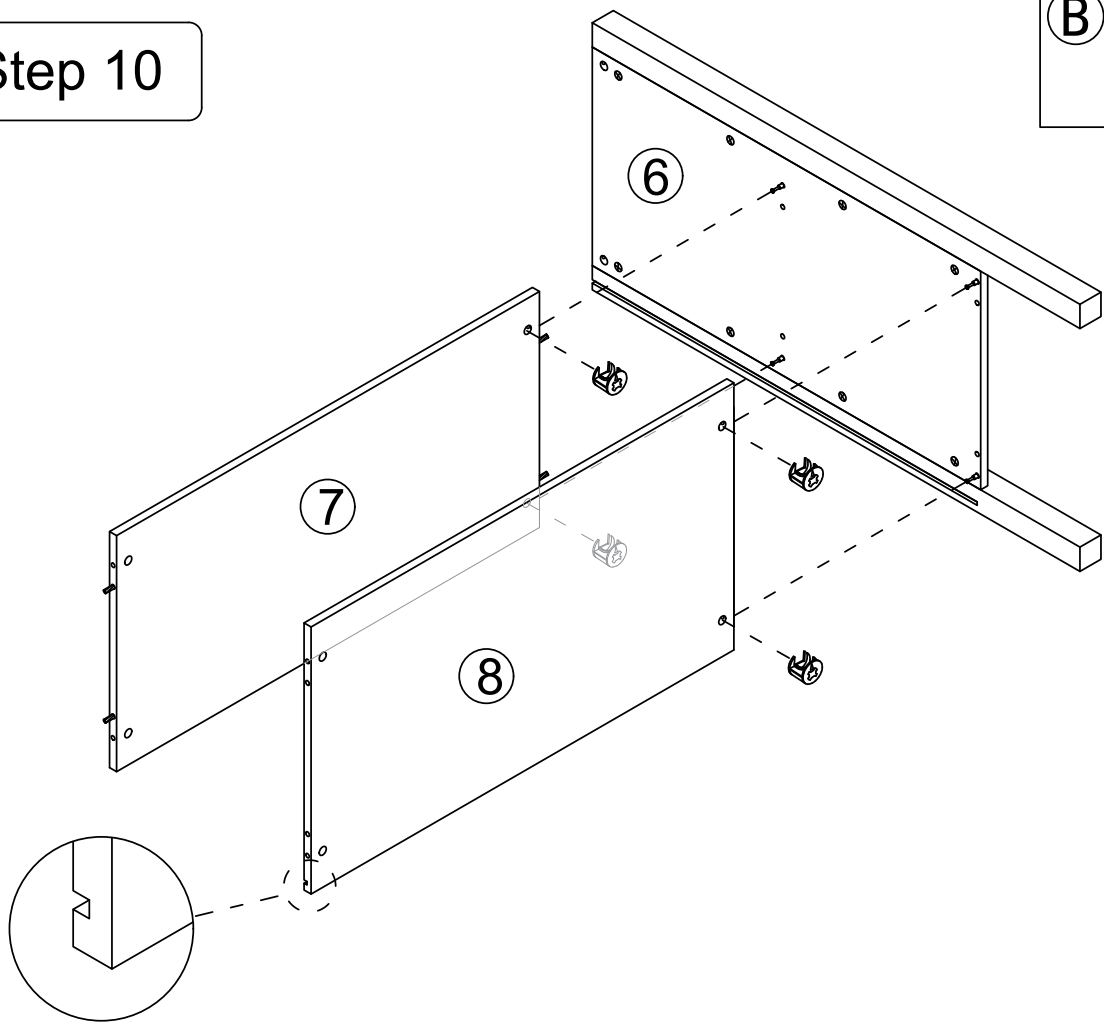


Step 9




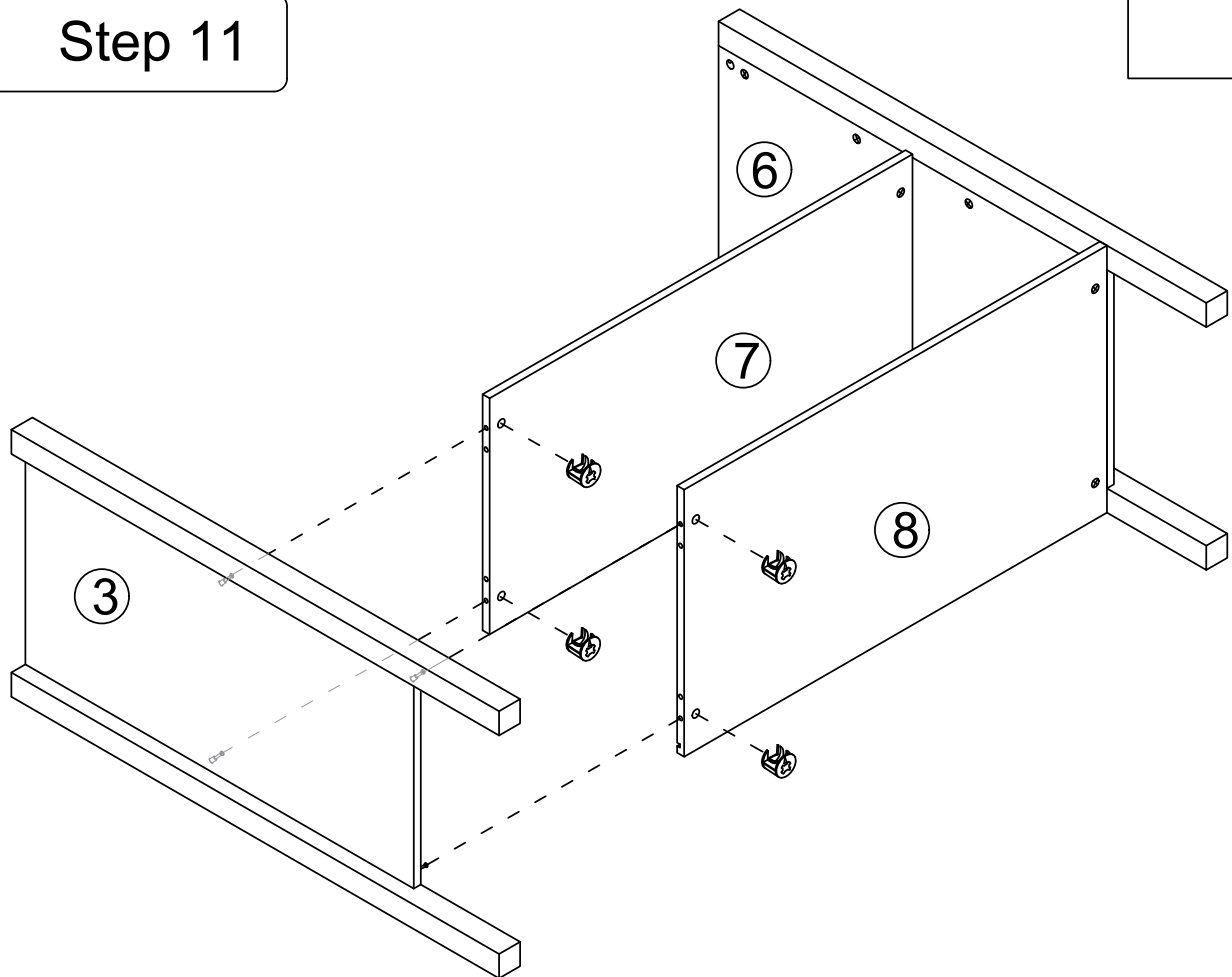
Step 10

**B**  x4



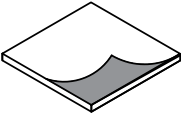
Step 11

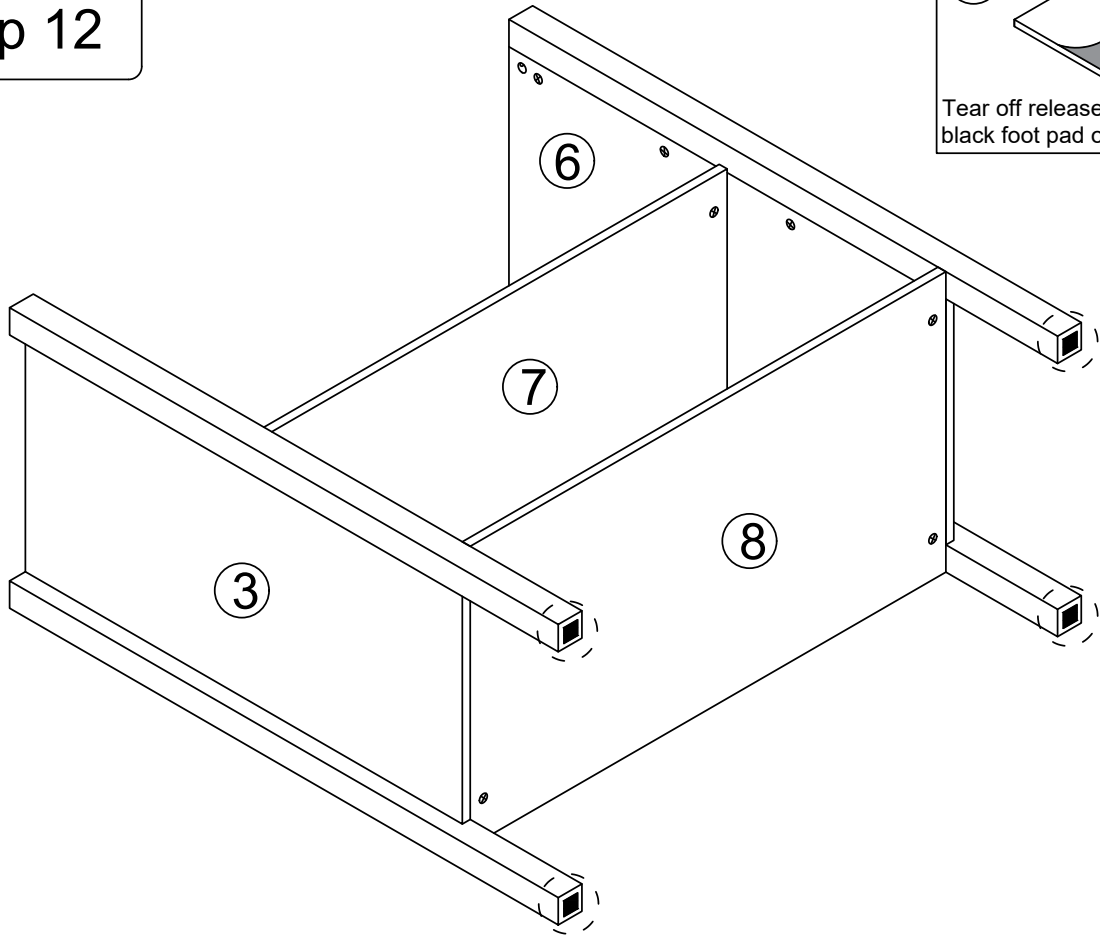
**B**  x4



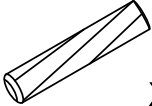
**9**

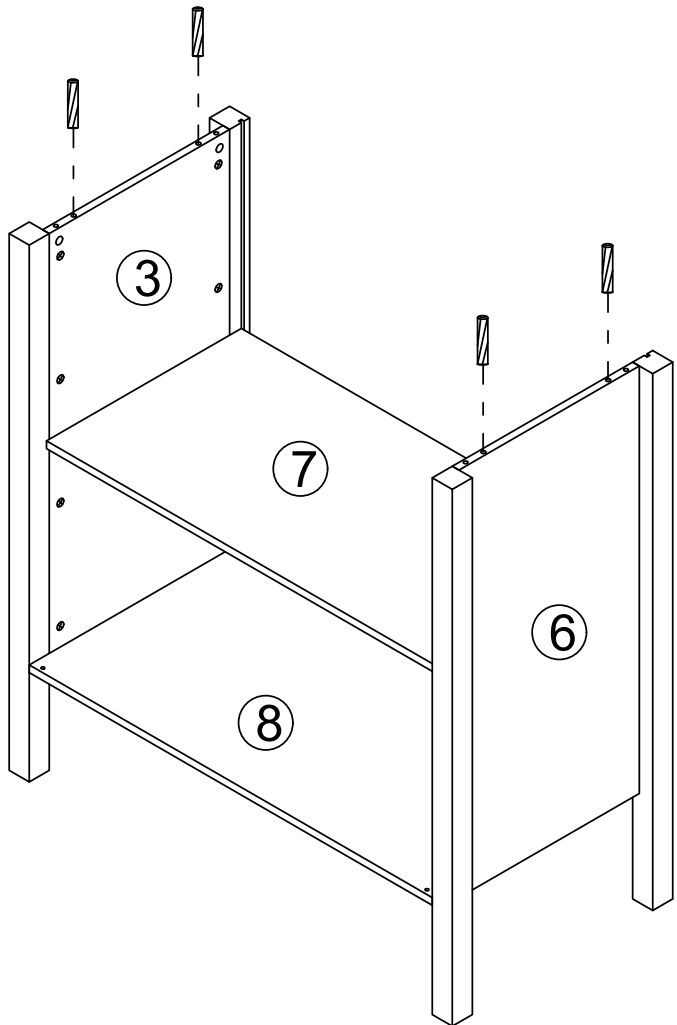
# Step 12

**D**  x4  
Tear off release paper and stick the black foot pad on the board

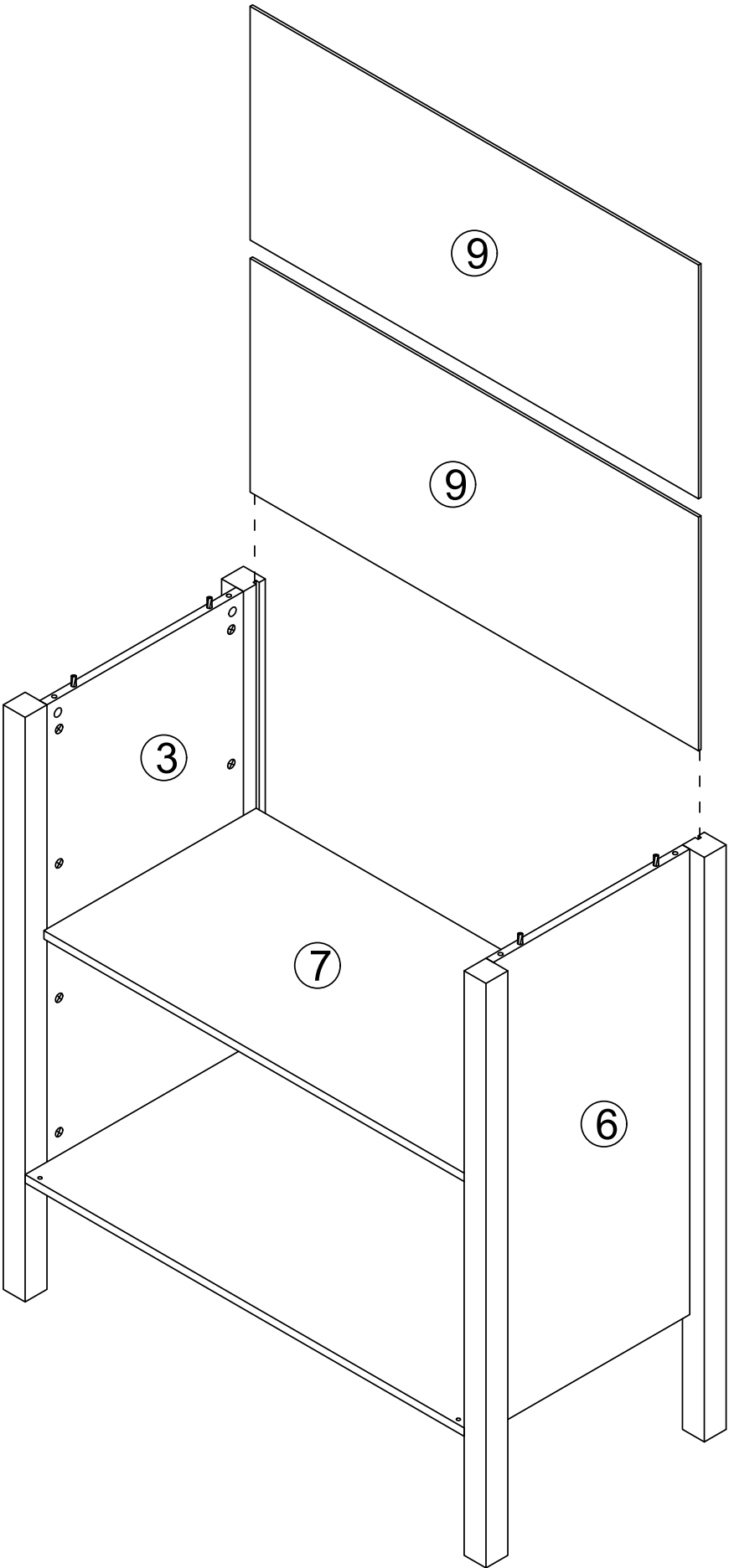


# Step 13

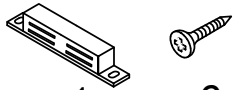
**C**  x4

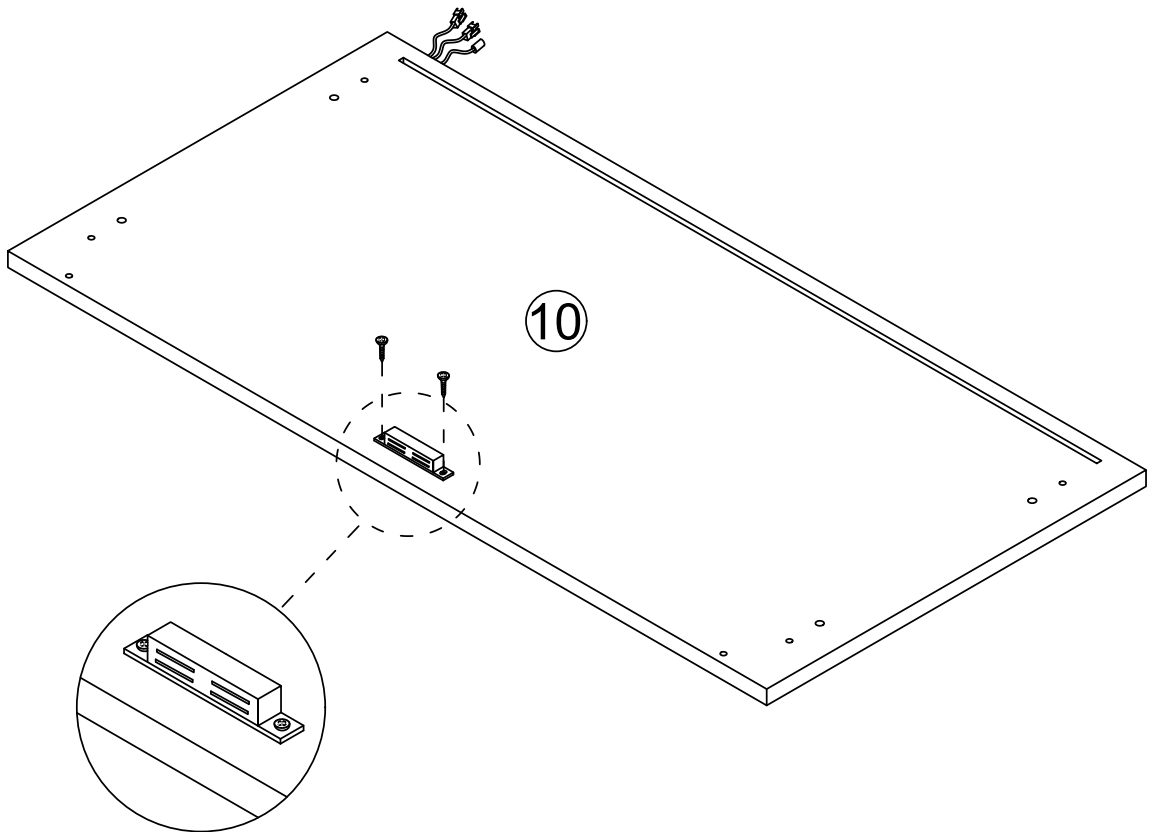


Step 14

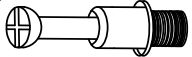


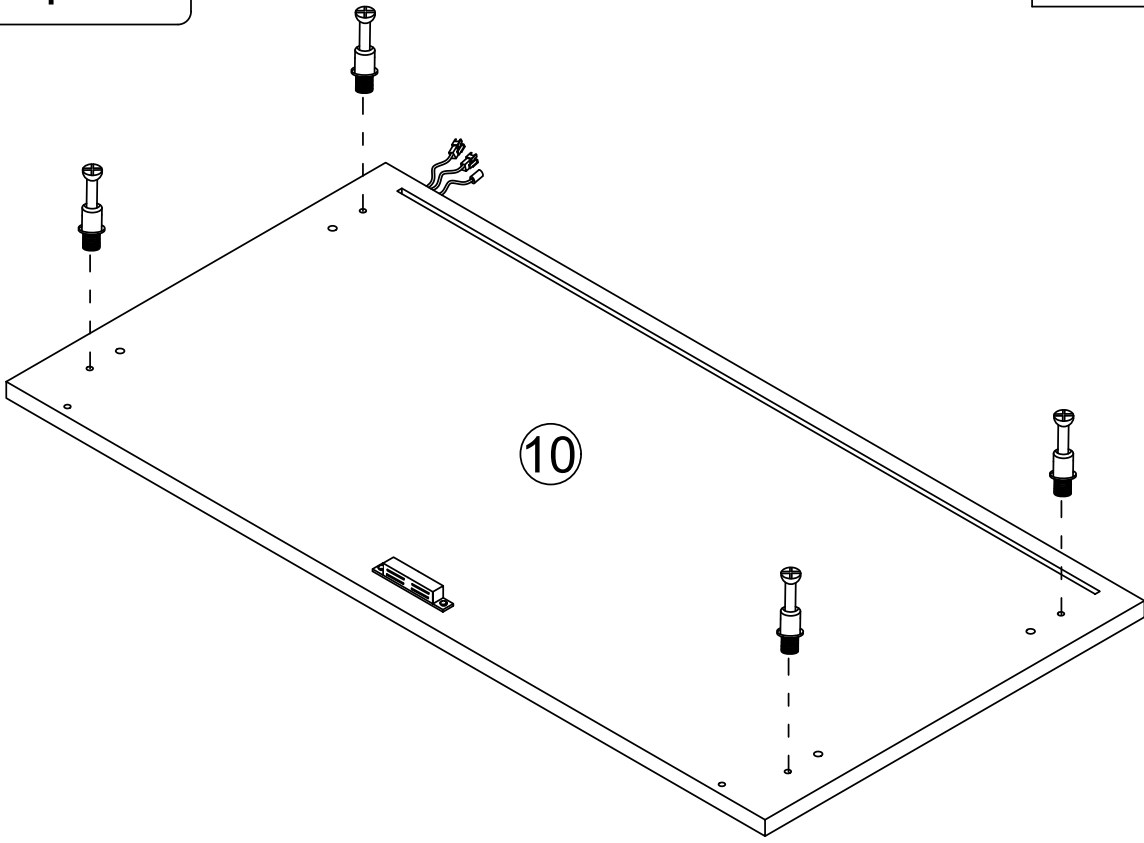
# Step 15

**E**   
x1 x2



# Step 16

**A**   
x4

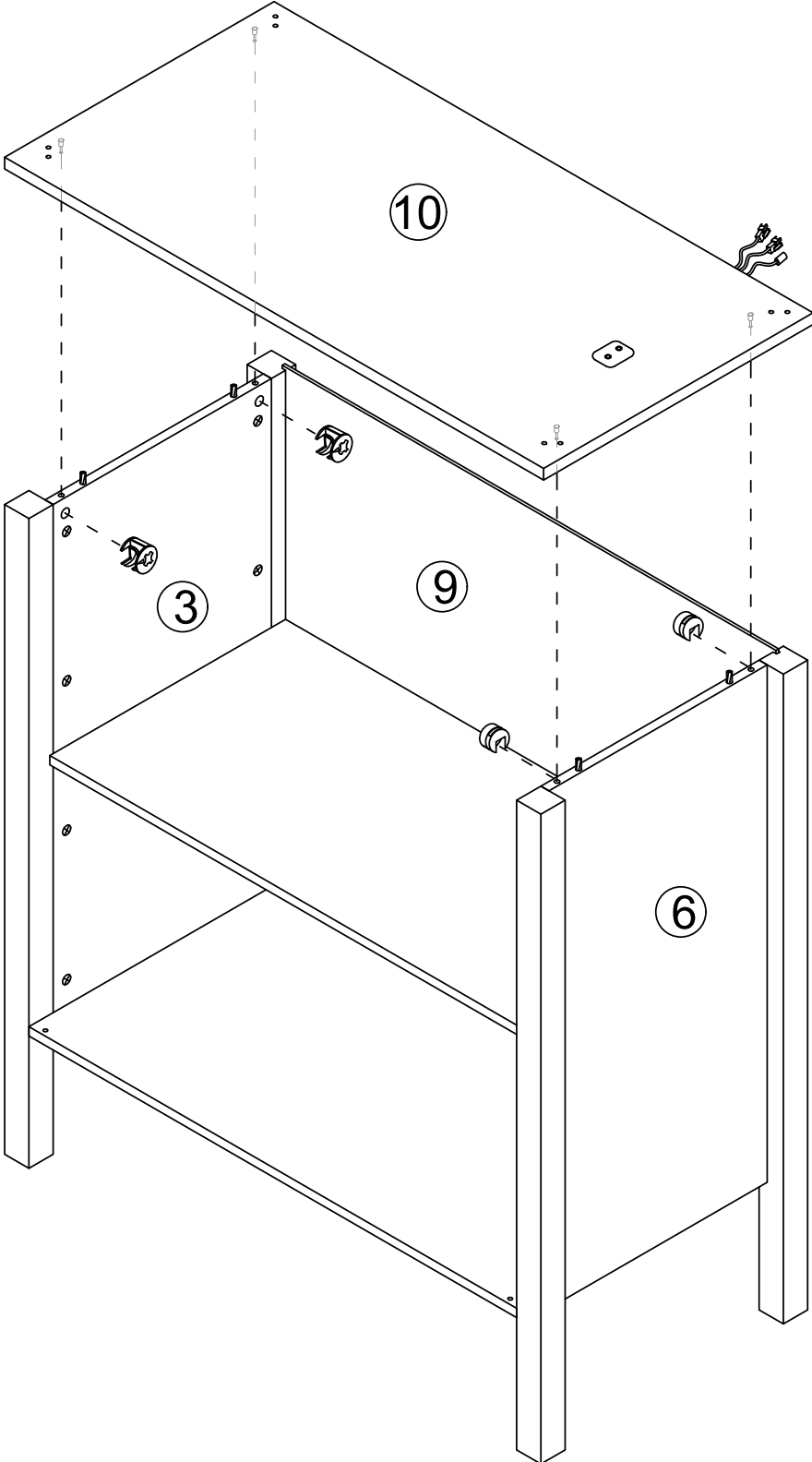


Step 17


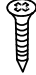
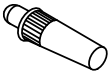
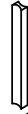

B

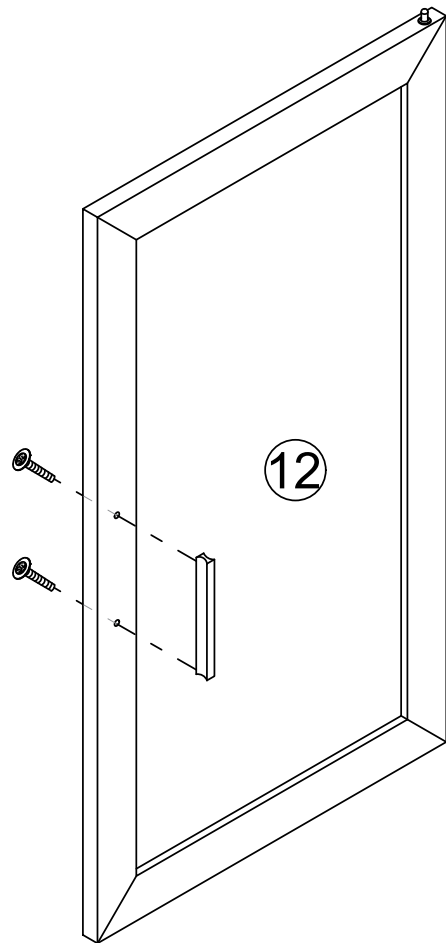
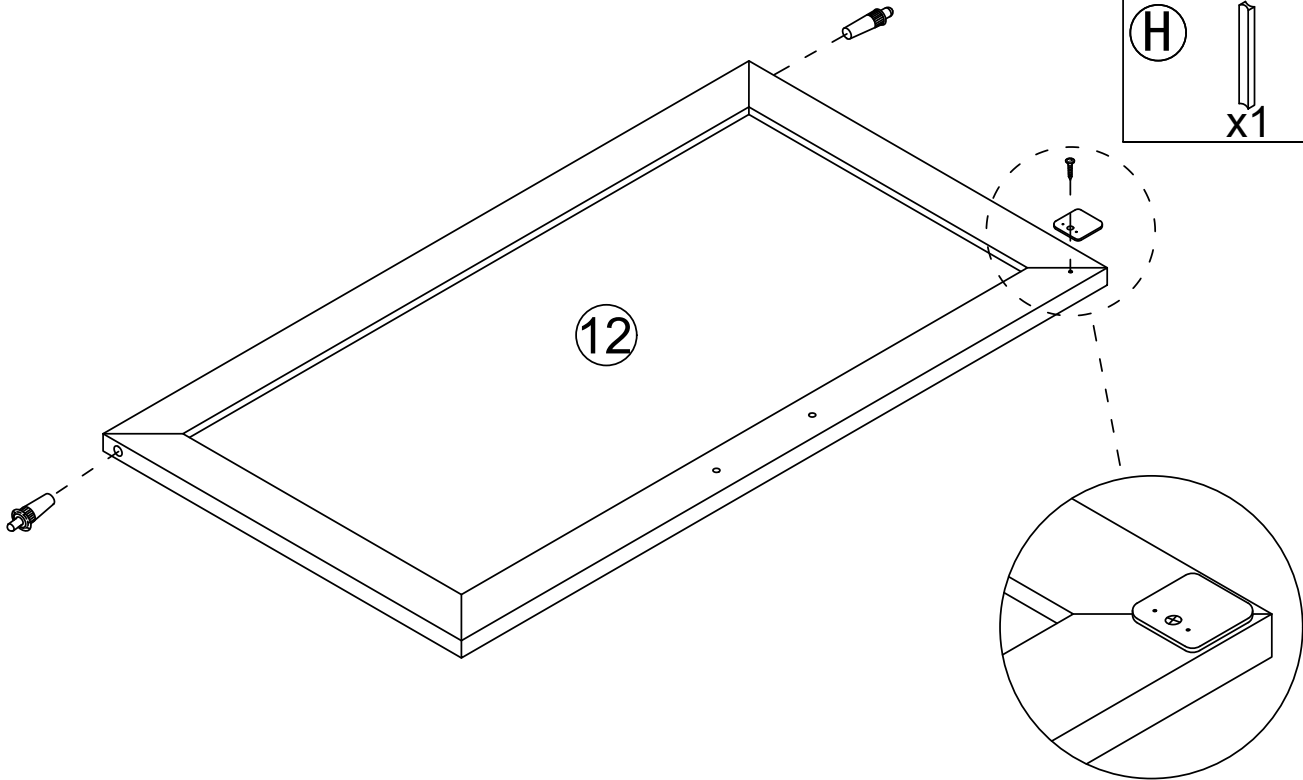


x4


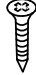
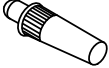




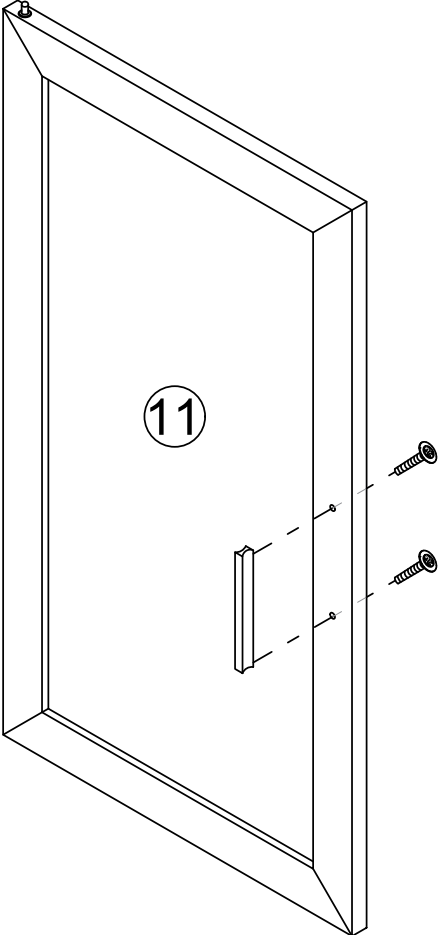
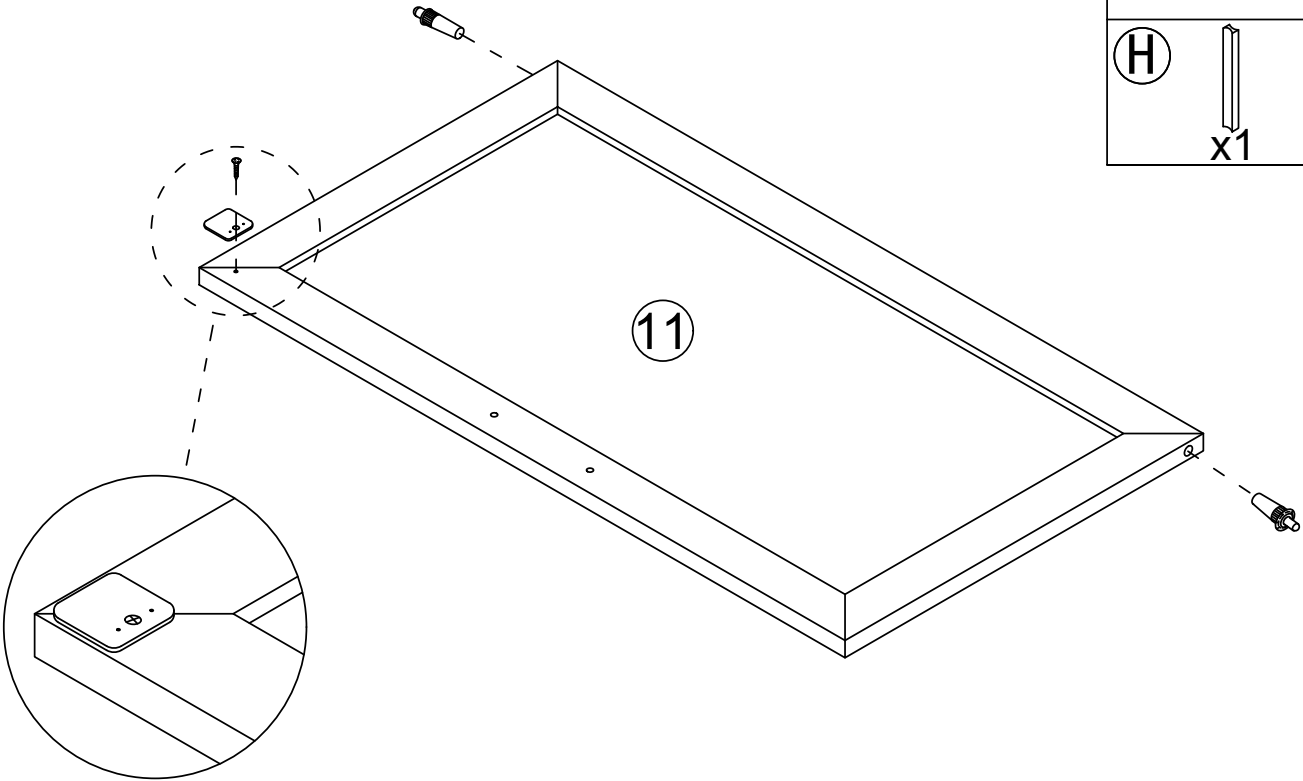
Step 18

- |     |   |   |
|-----|---|---|
| (F) |   |   |
|     | x1  | x1  |
| (G) |  | x2  |
| (H) |  |  |
|     | x1  | x2  |

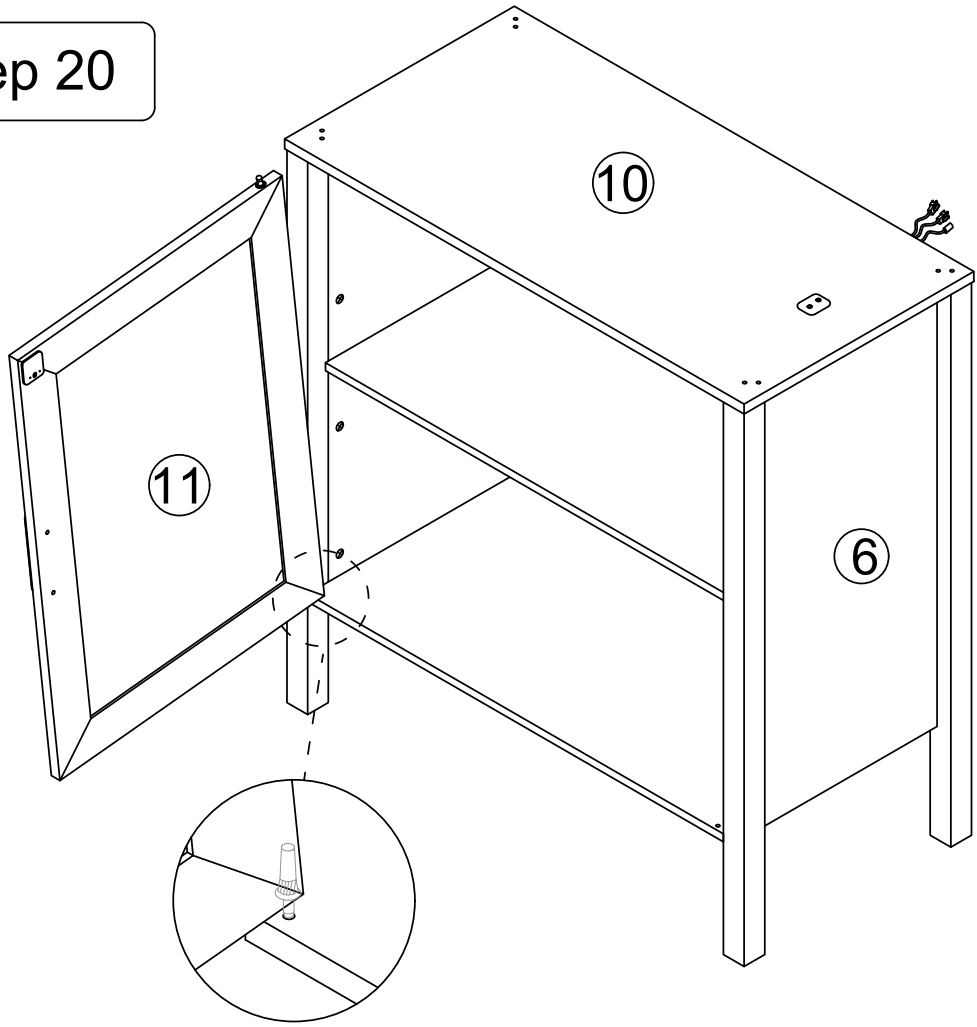


Step 19

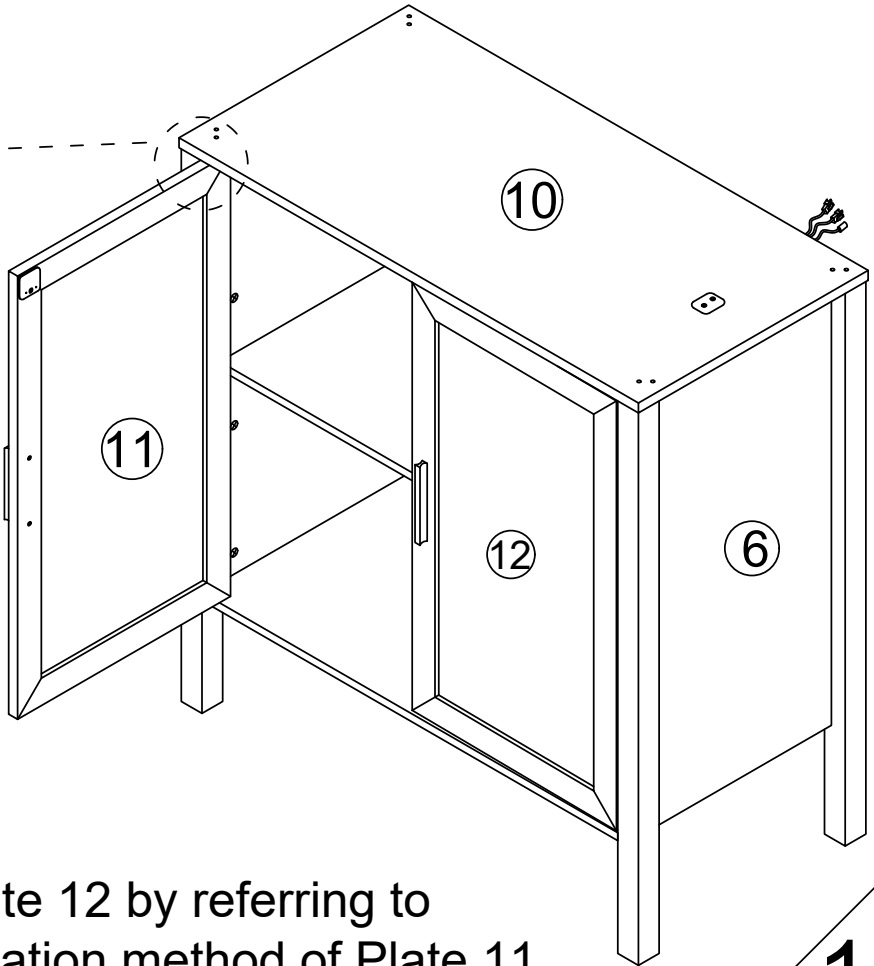
- |     |   |   |
|-----|---|---|
| (F) |   |   |
|     | x1  | x1  |
| (G) |  | x2  |
| (H) |  |  |
|     | x1  | x2  |



Step 20

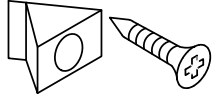


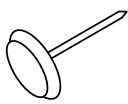
Note: Press G and put it into the 10-plate.

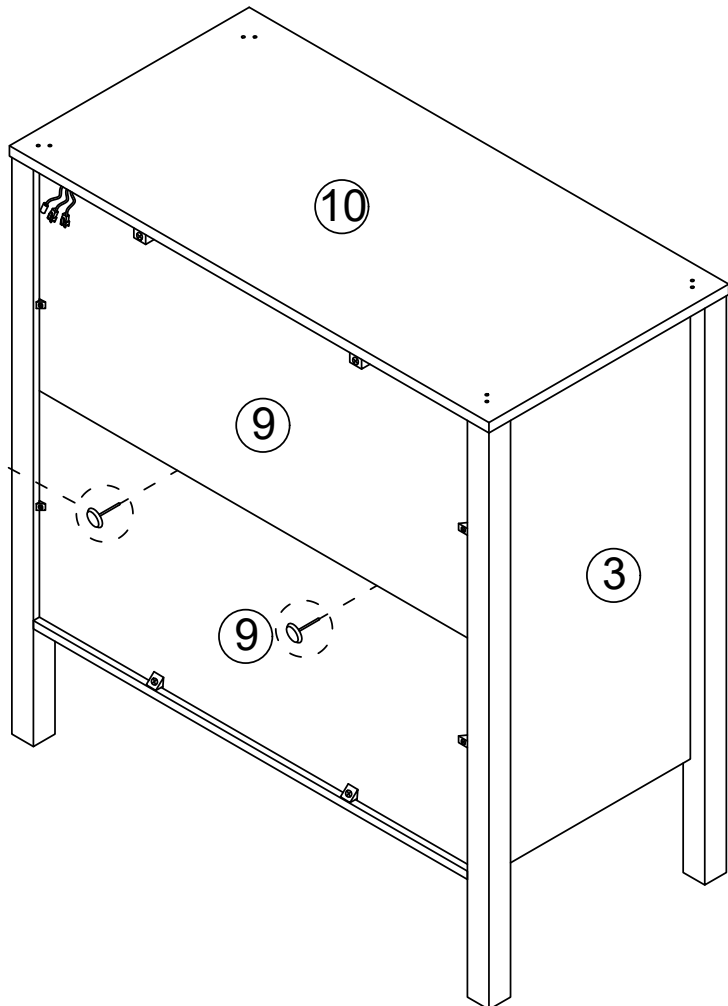
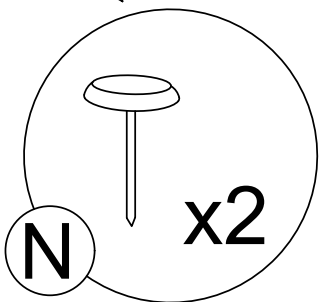
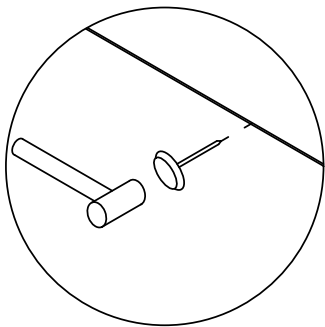
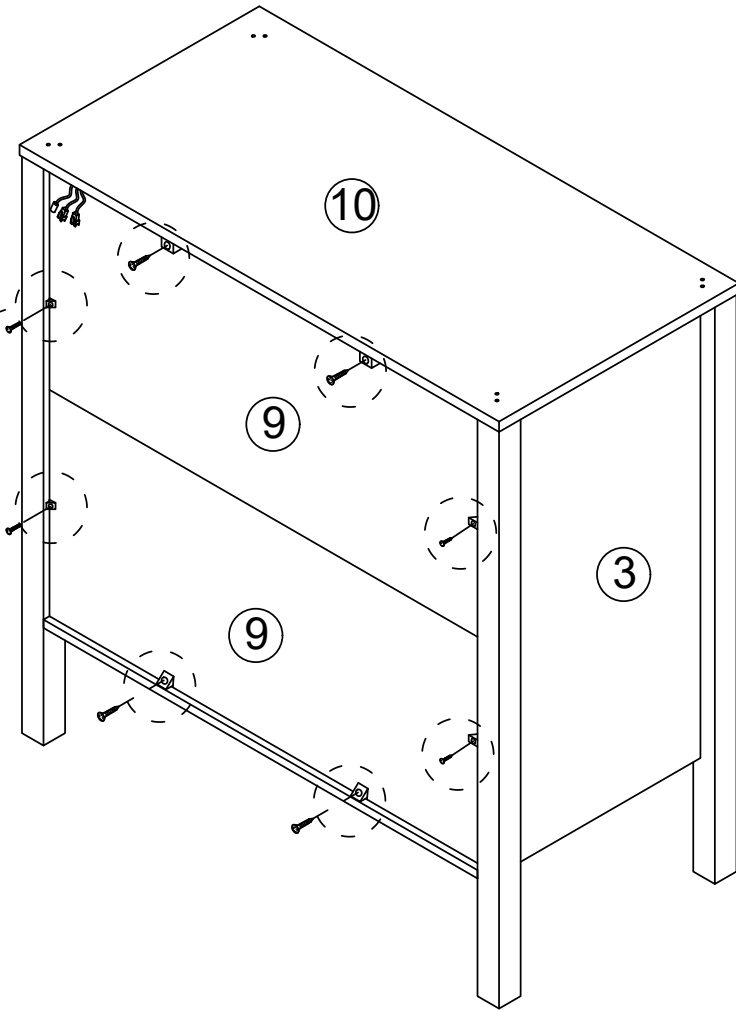
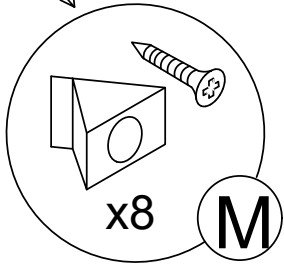
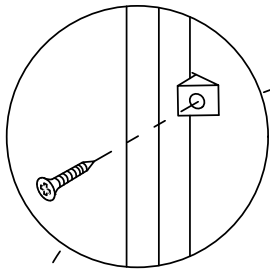


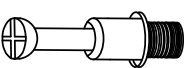

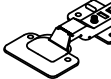




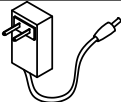




Install Plate 12 by referring to the installation method of Plate 11.

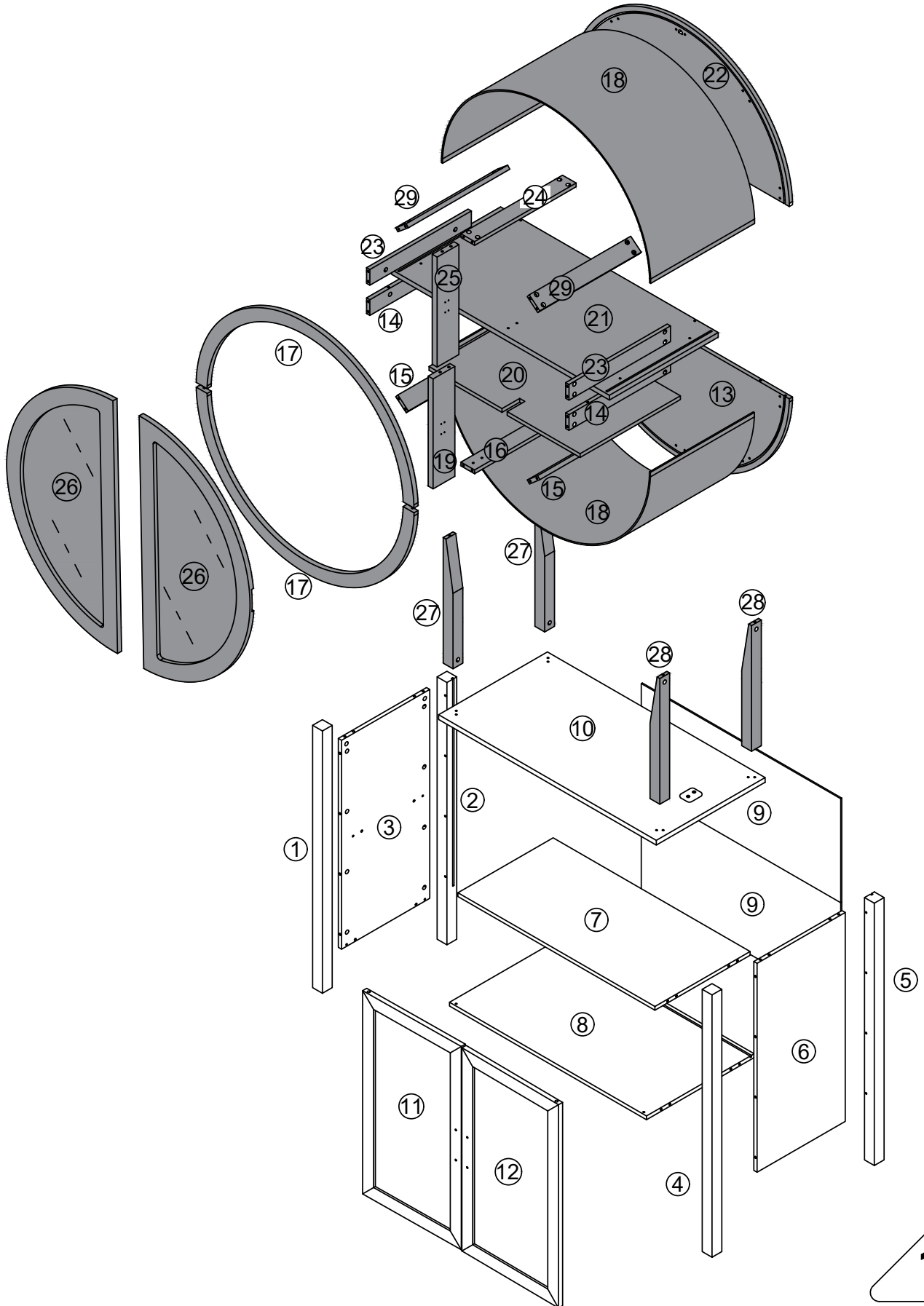
Step 21

(M)  x8

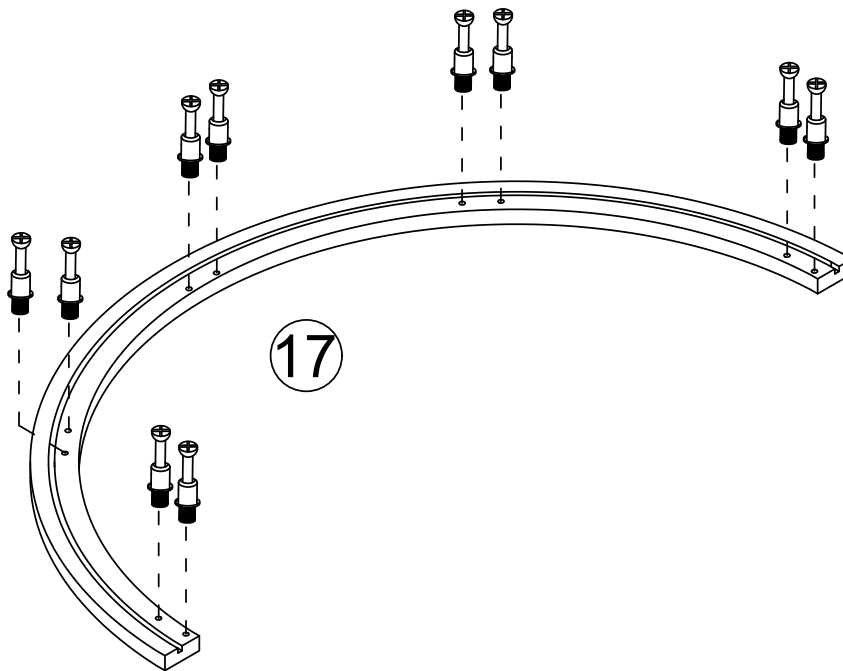
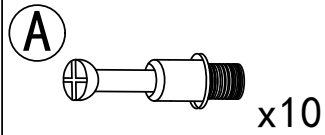
(N)  x2



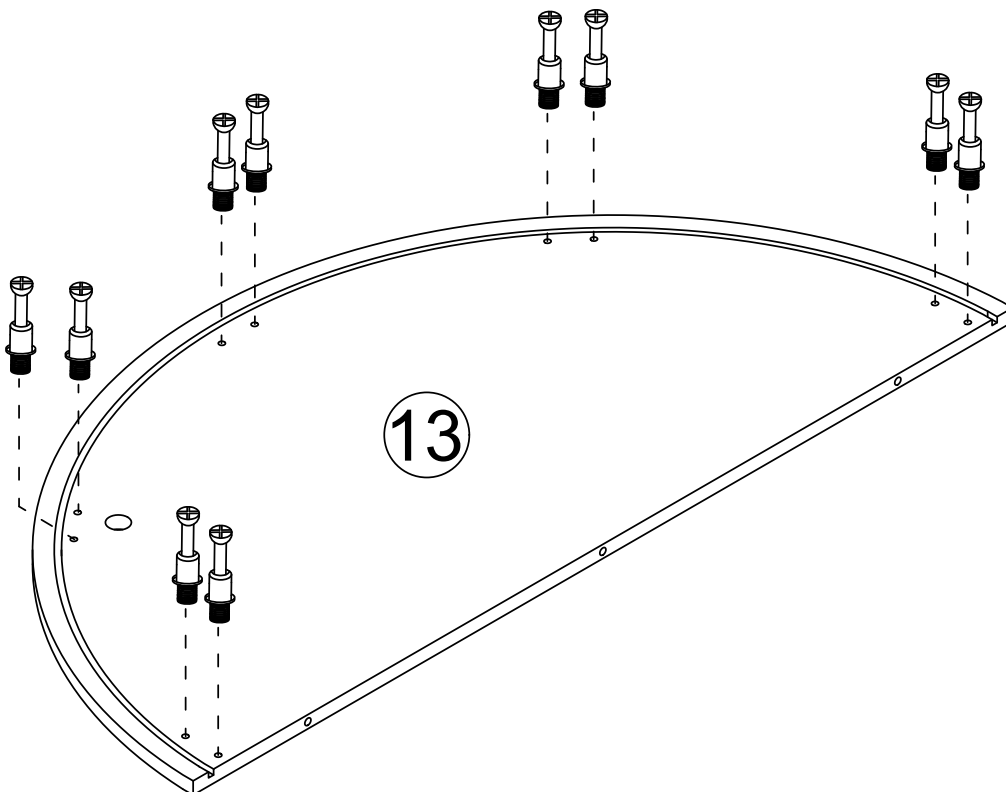
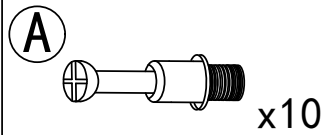
A		75pcs	B		75pcs	I		4pcs		24pcs	
J		2pcs	L		4pcs	O		16pcs			
		1pcs	K		1pcs		1pcs		1pcs		2pcs



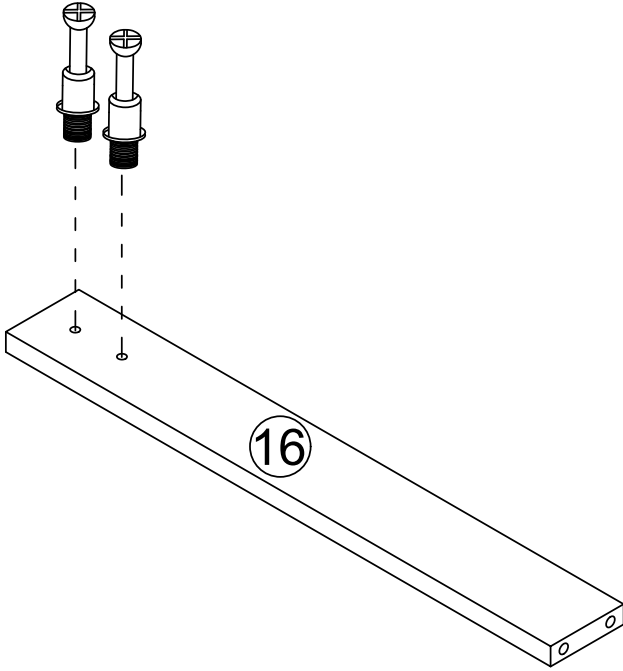
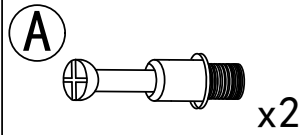
Step 22



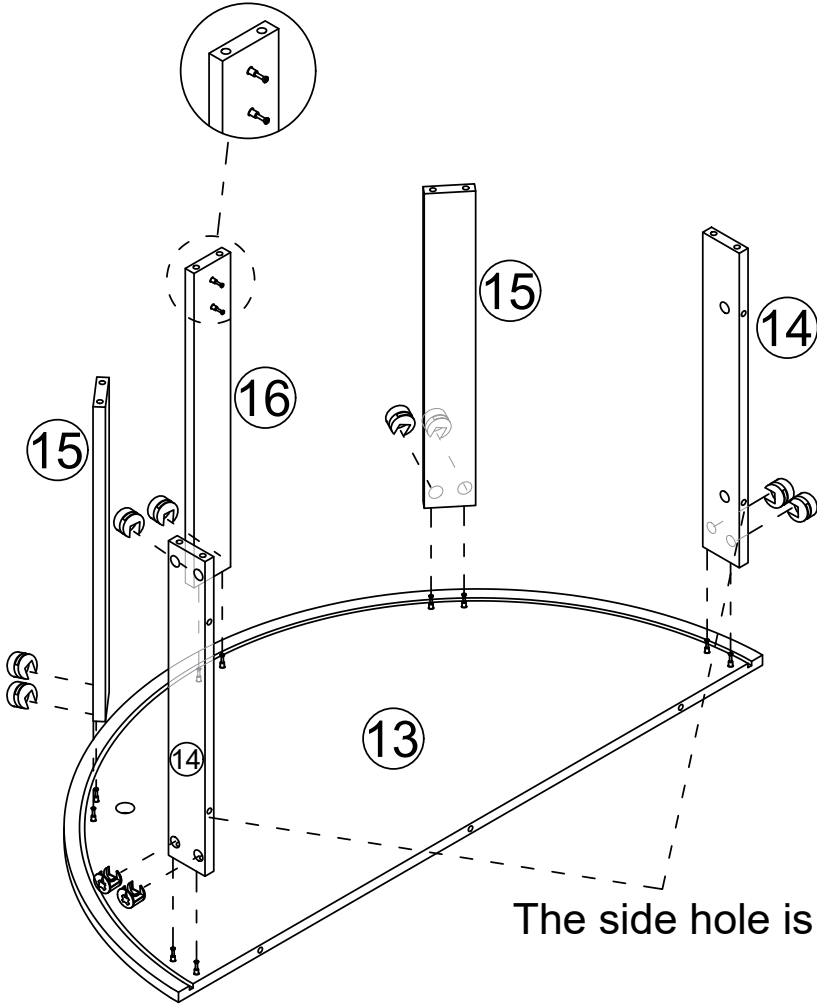
Step 23



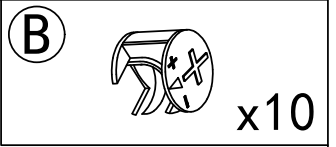
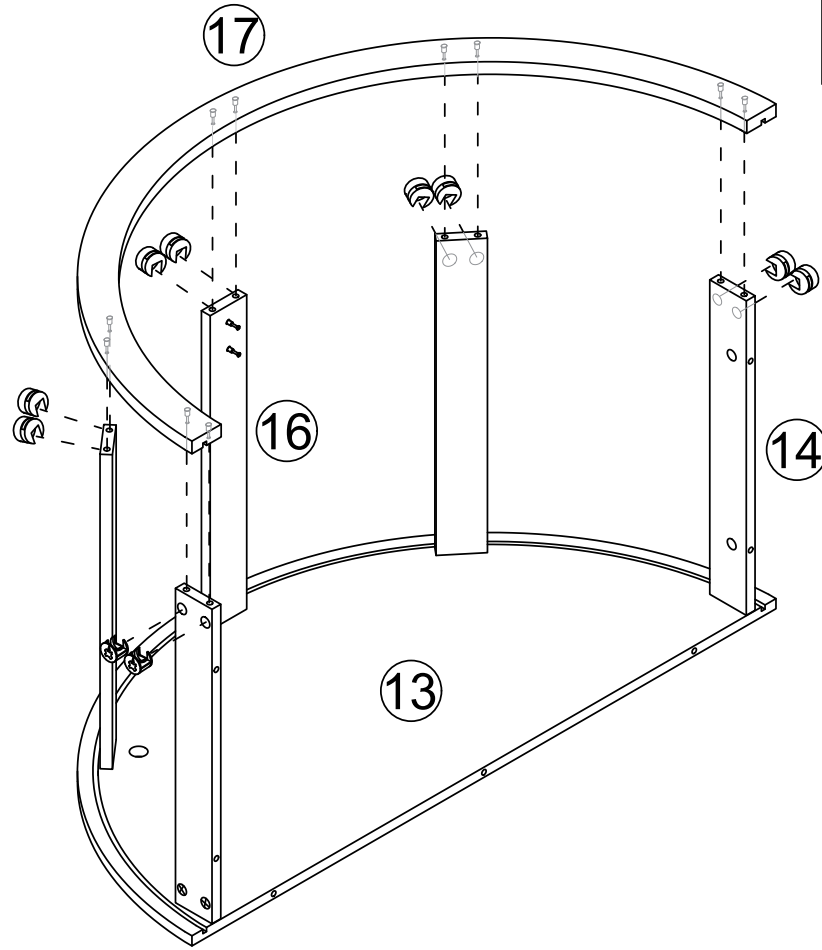
# Step 24



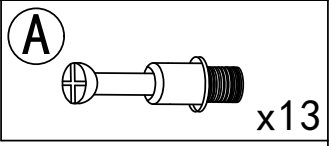
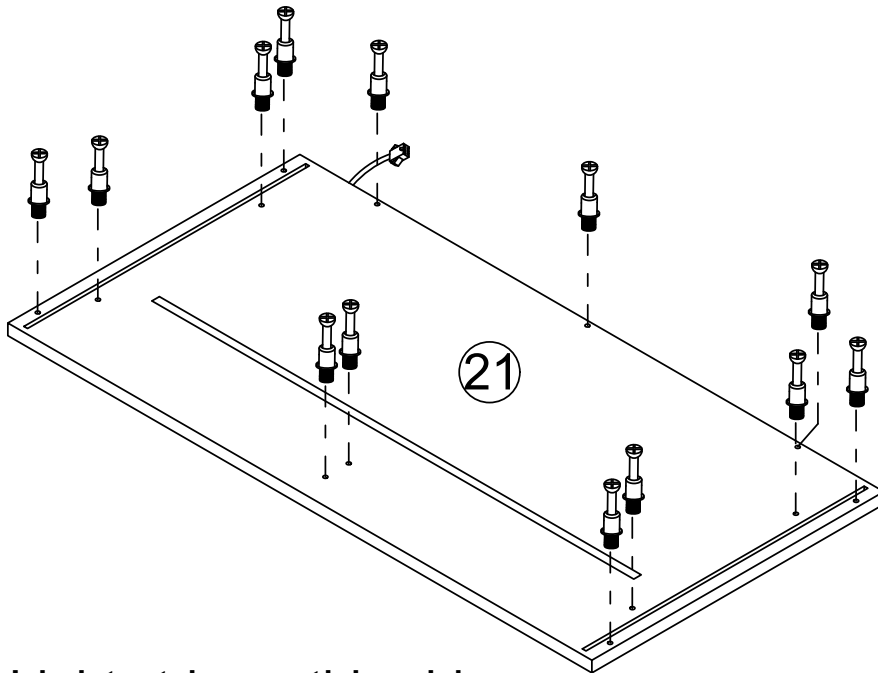
# Step 25



Step 26



Step 27

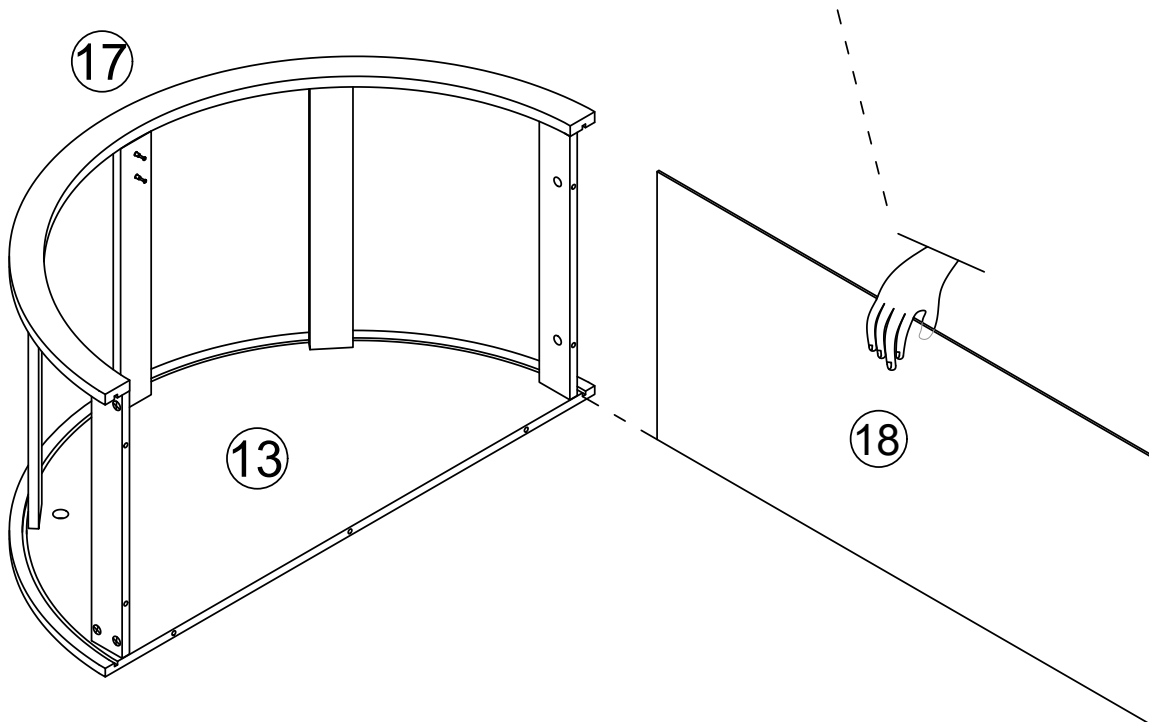


Light strip on this side

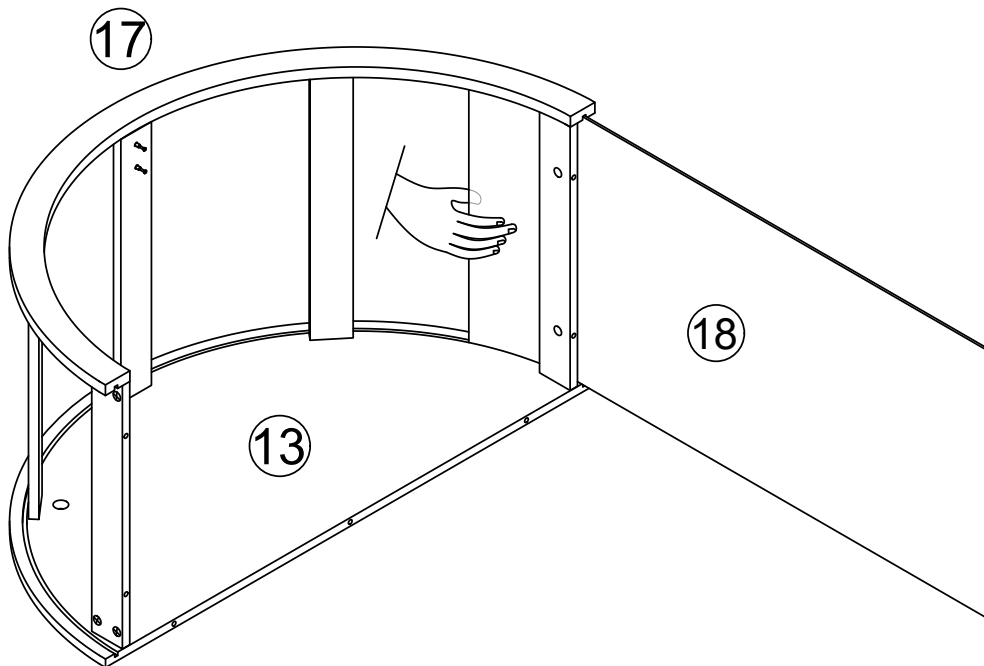


## Step 28

Note: When installing the 18 plate, push the middle of the 18 plate by hand to push the 18 plate into the groove.

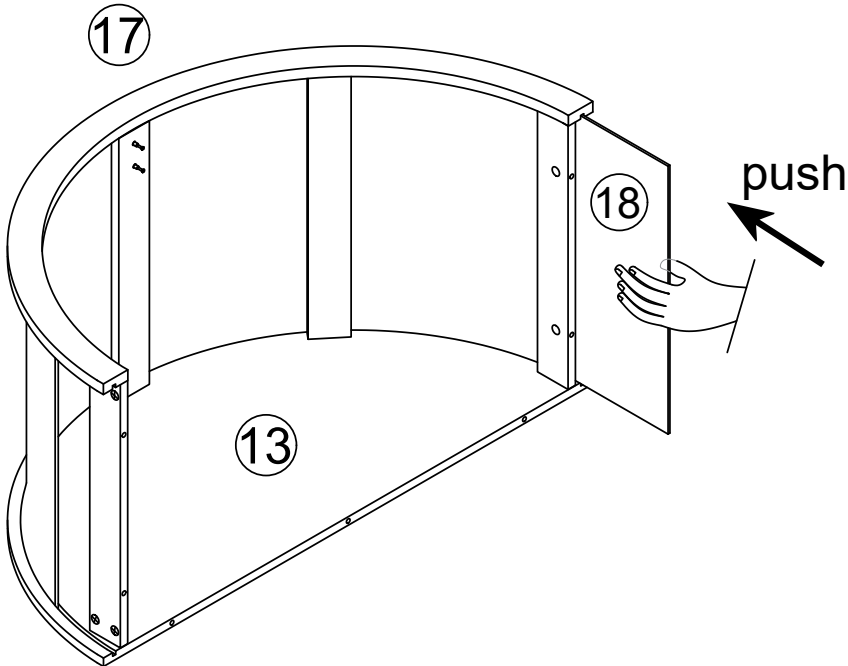


According to the circular groove, insert 18 into 13 and 17 grooves.



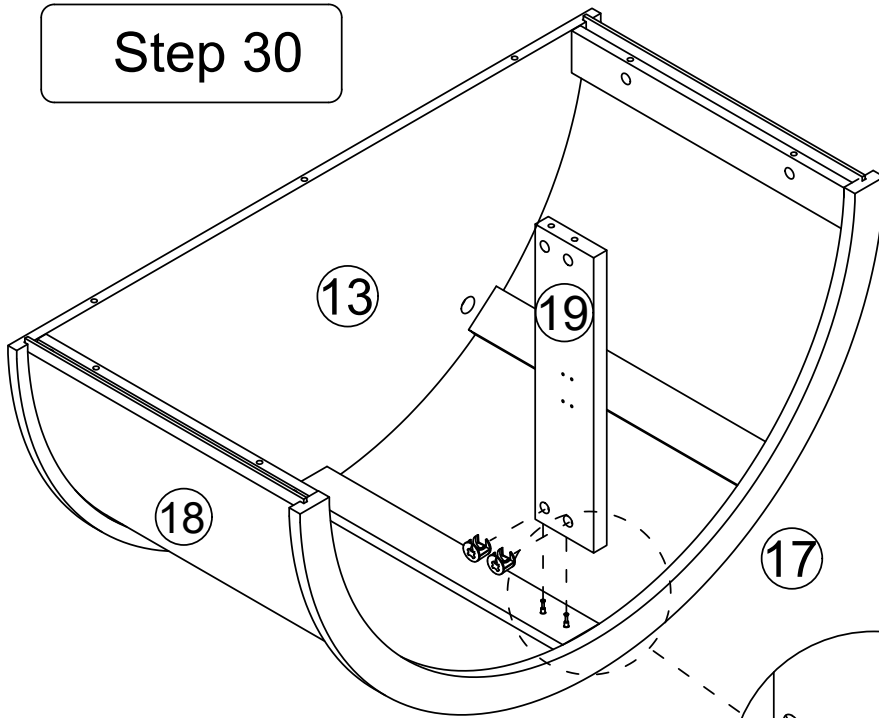
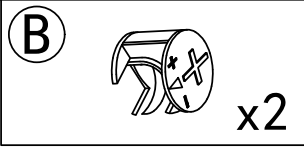
If it is difficult to push the 18 plate in, you can use the pull method.

Step 29

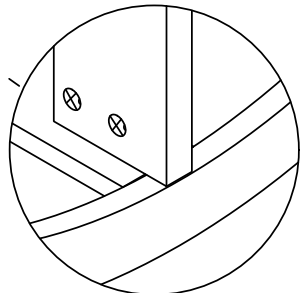


The subsequent installation requires assistance from two people.

Step 30



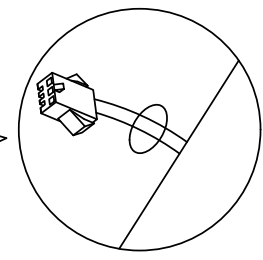
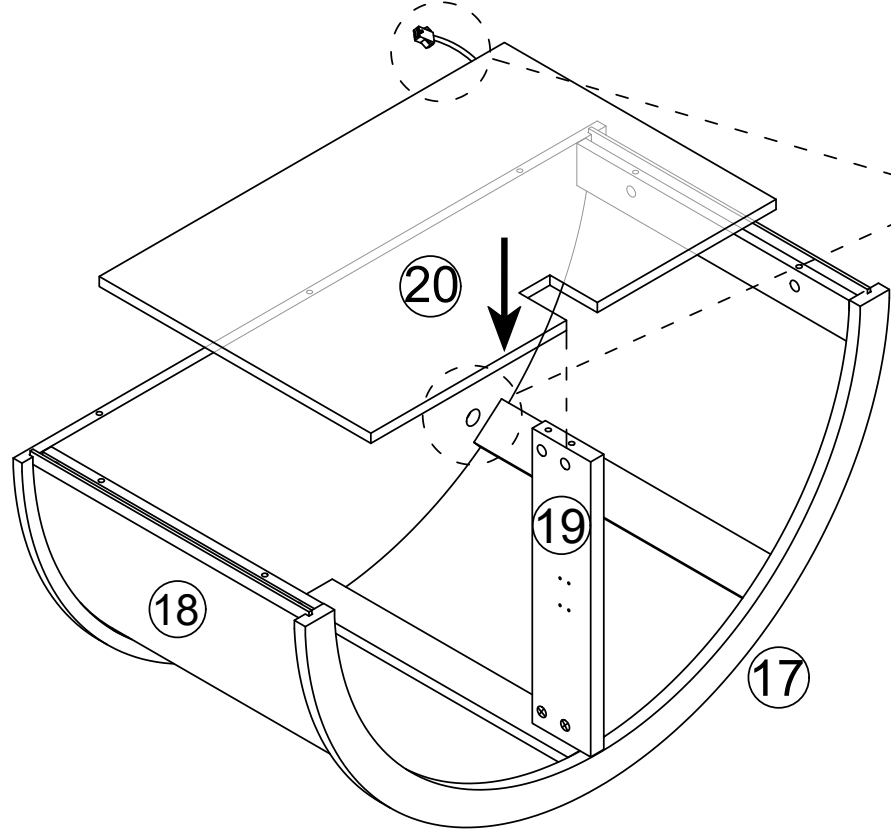
Match the surface of plate 17



Proper installation is shown in the diagram.

Step 31

Match the notch and push in.



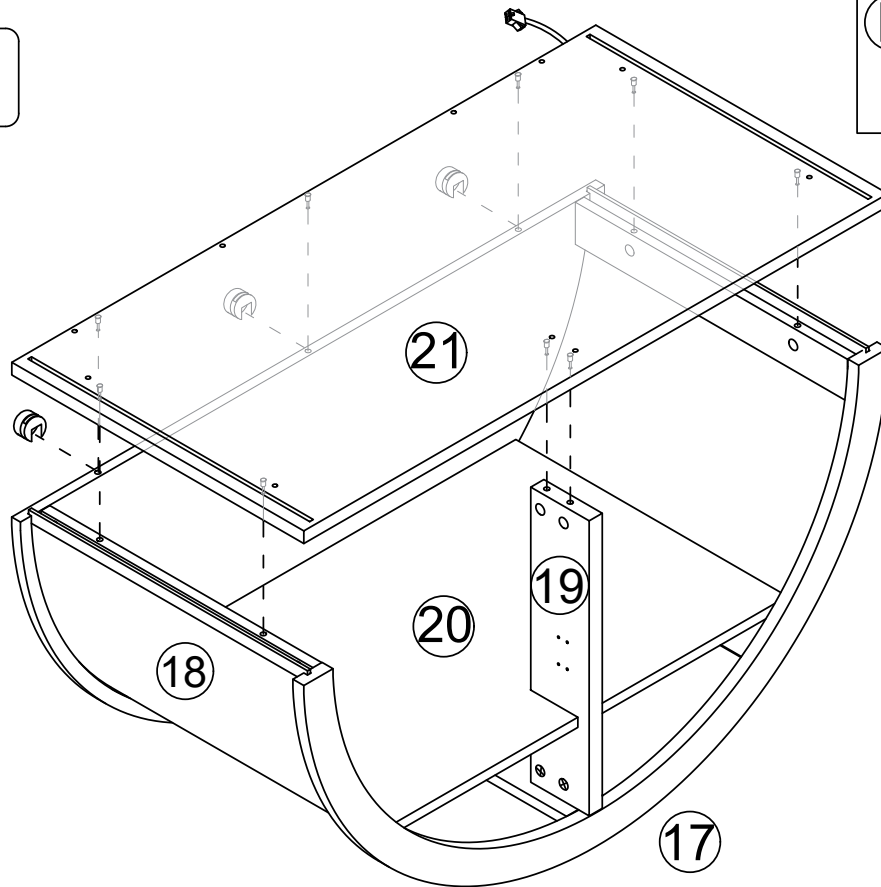
Feed the wire through the opening

## Step 32

(B)



x3



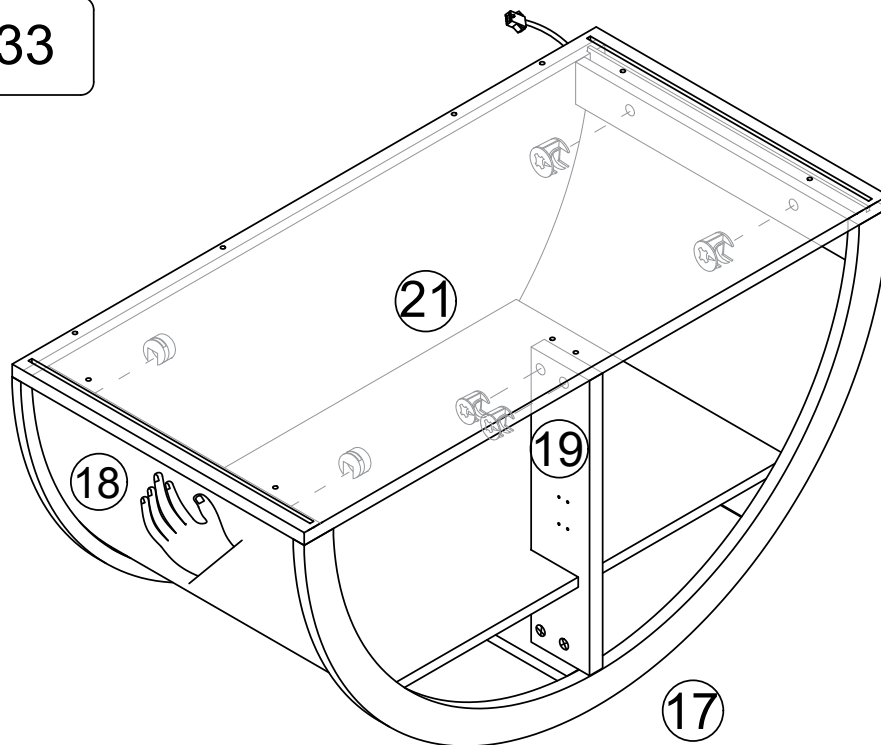
Note: After installing the 21 board, you need to pat the backboards on both sides into the grooves of the 21 board by hand.

## Step 33

(B)

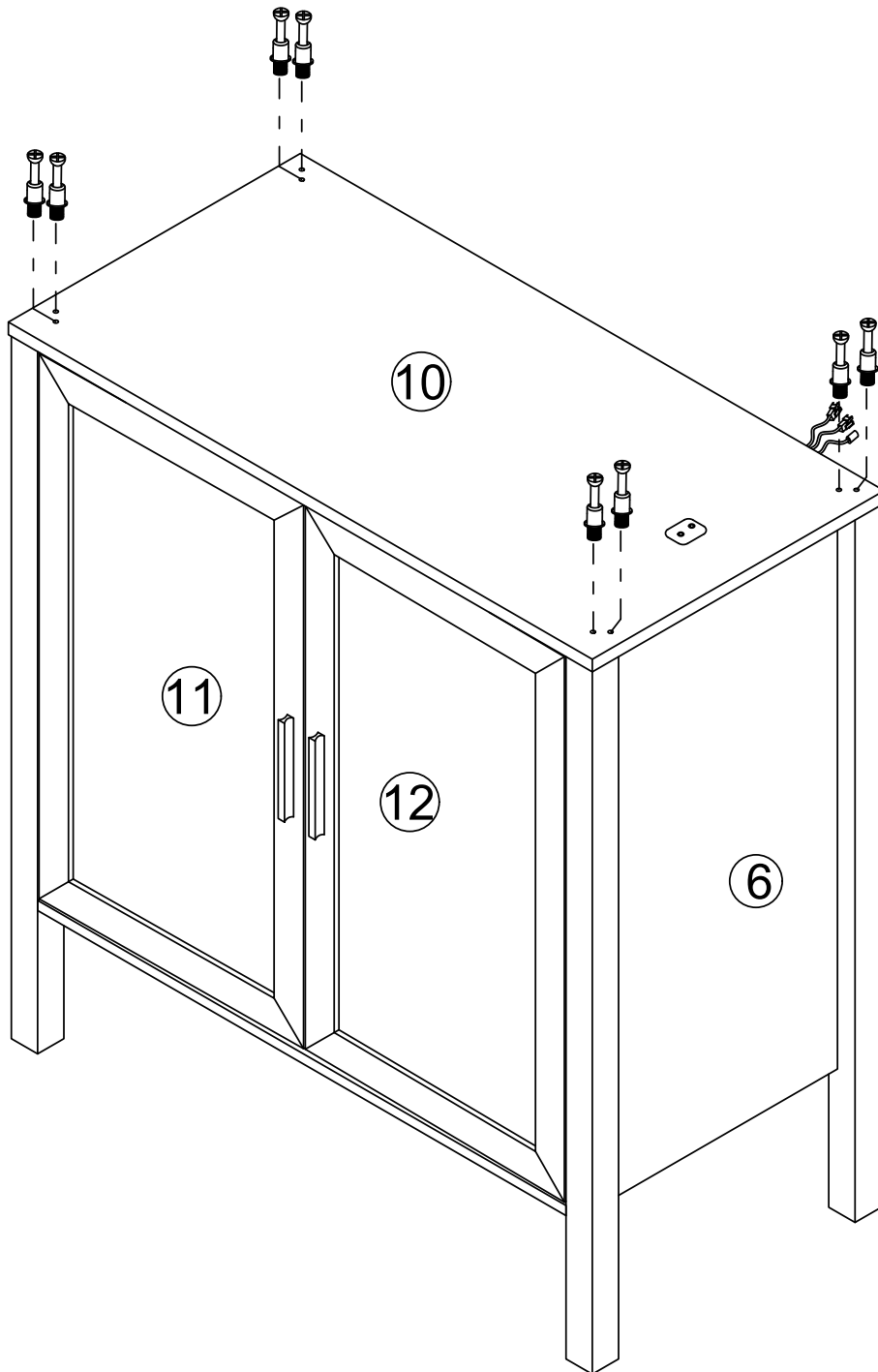
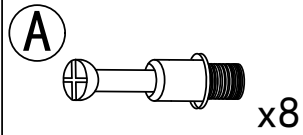


x6



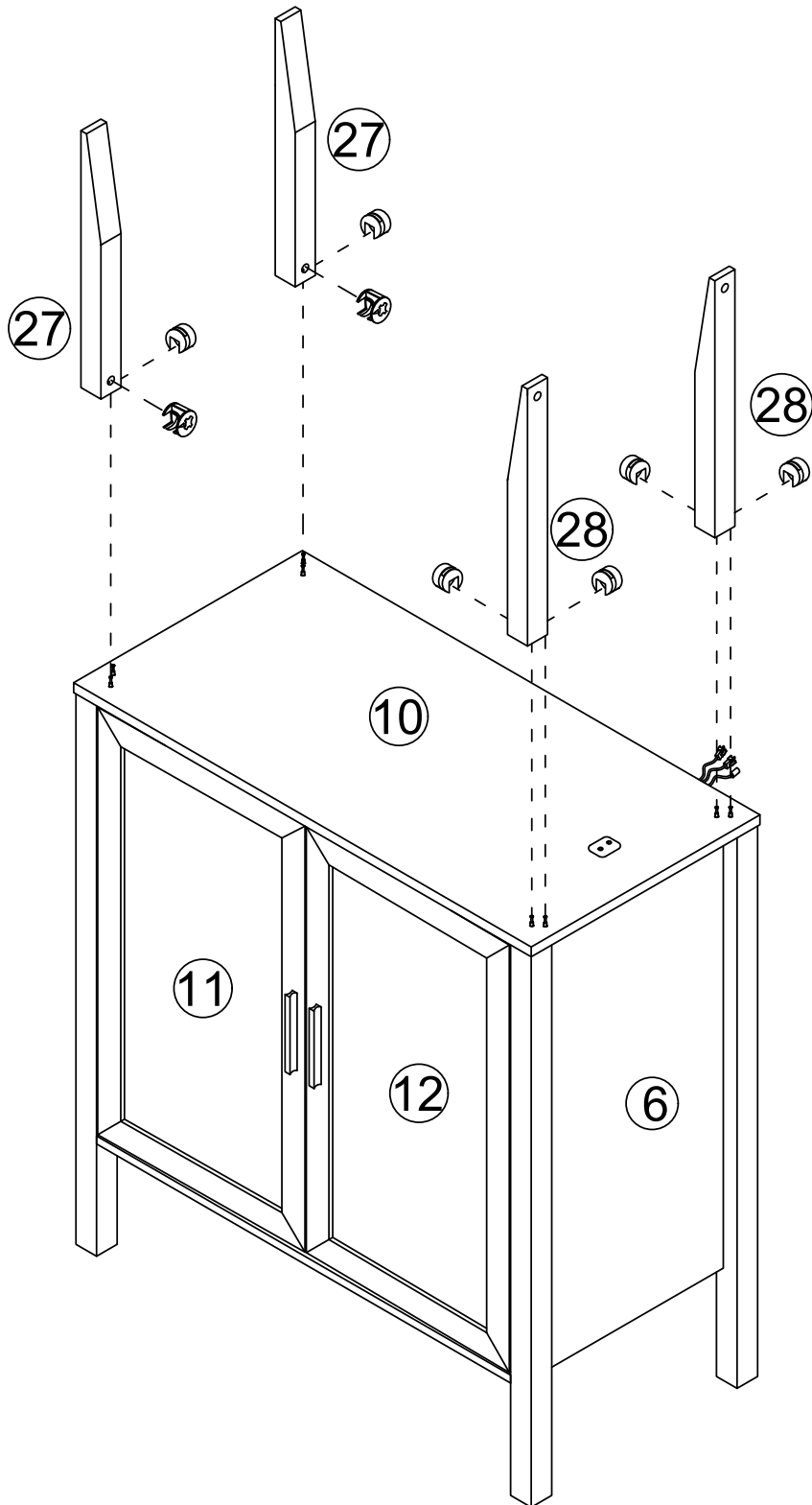
Note: pat the 18 plate on the left and then screw the nut, then pat the 18 plate on the right and screw the nut.

Step 34



Step 35

(B)  x8

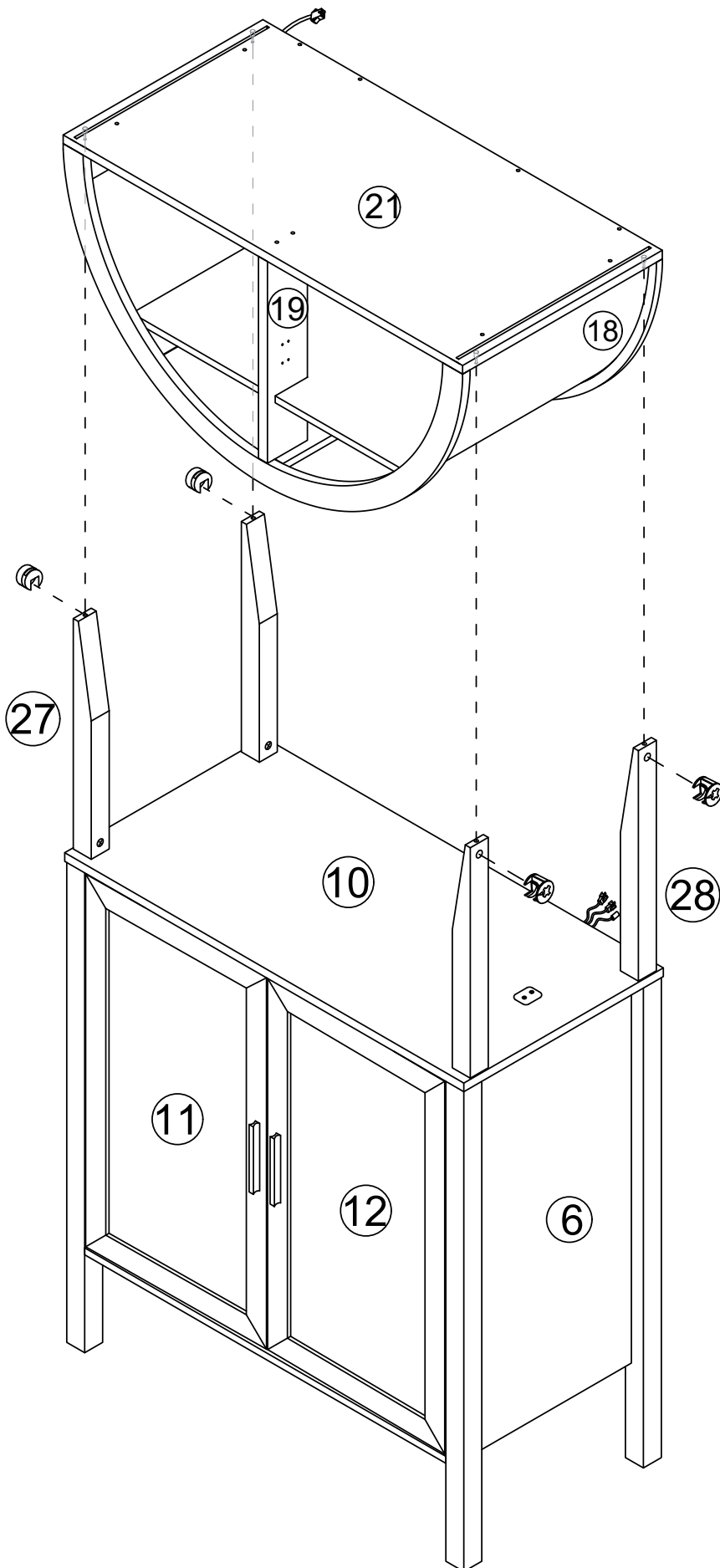


# Step 36

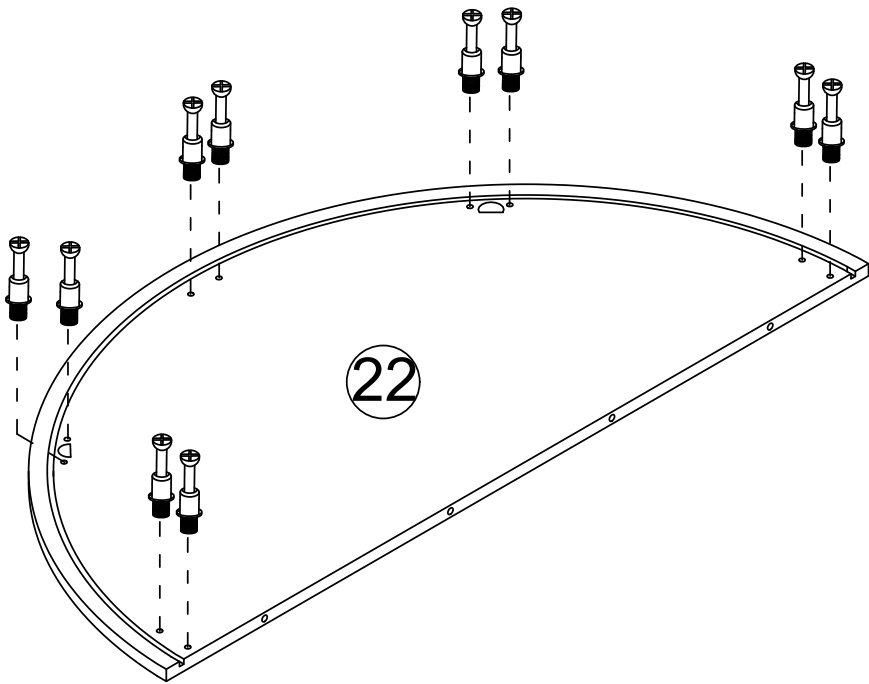
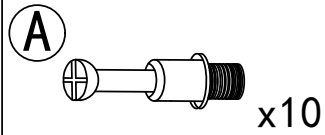
B



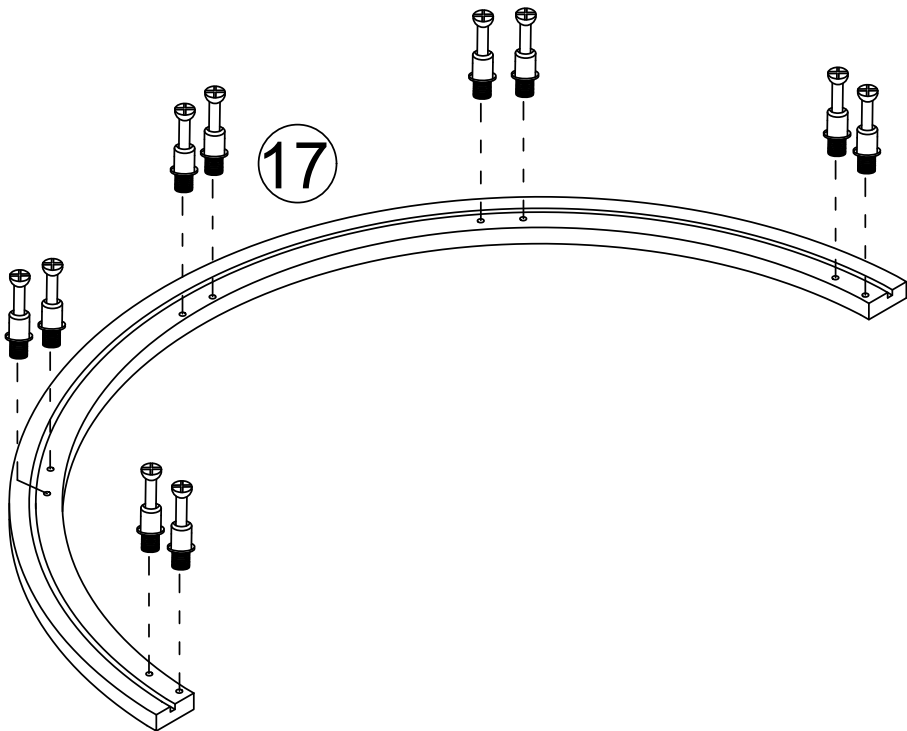
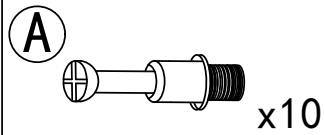
x4



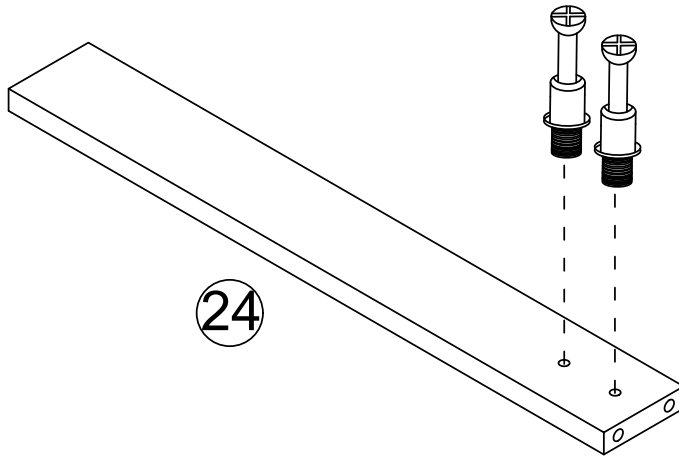
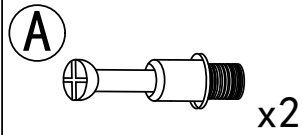
Step 37



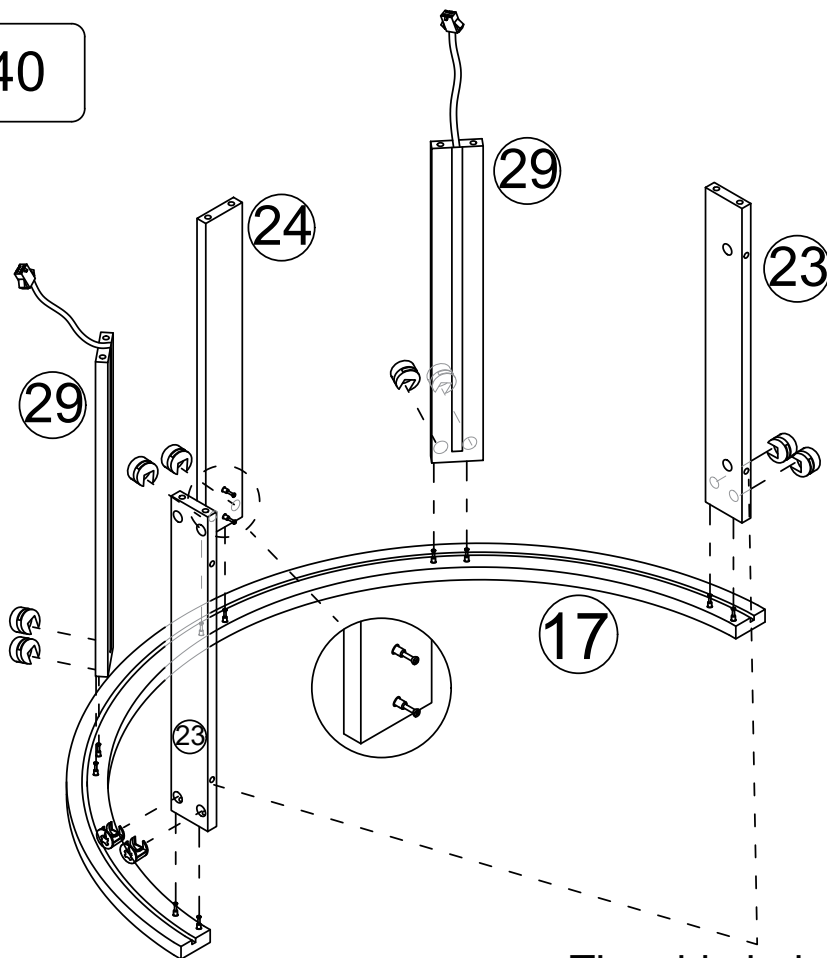
Step 38



Step 39



Step 40



The side hole is here



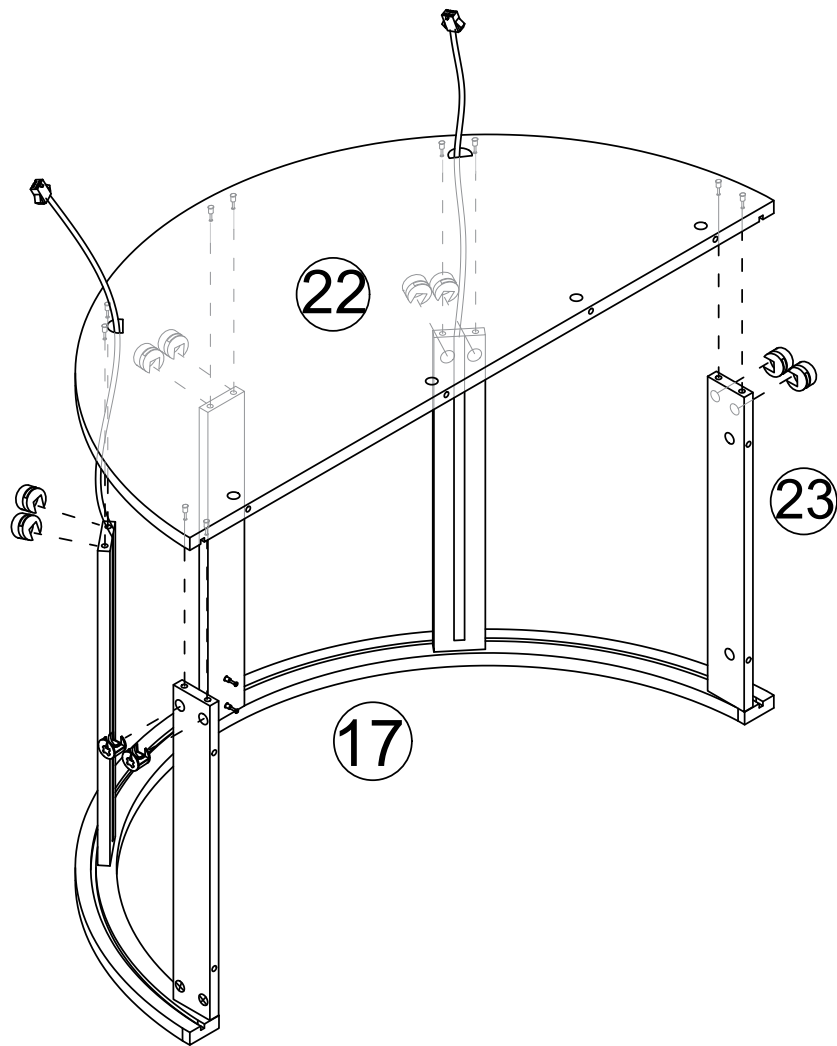
Step 41

B



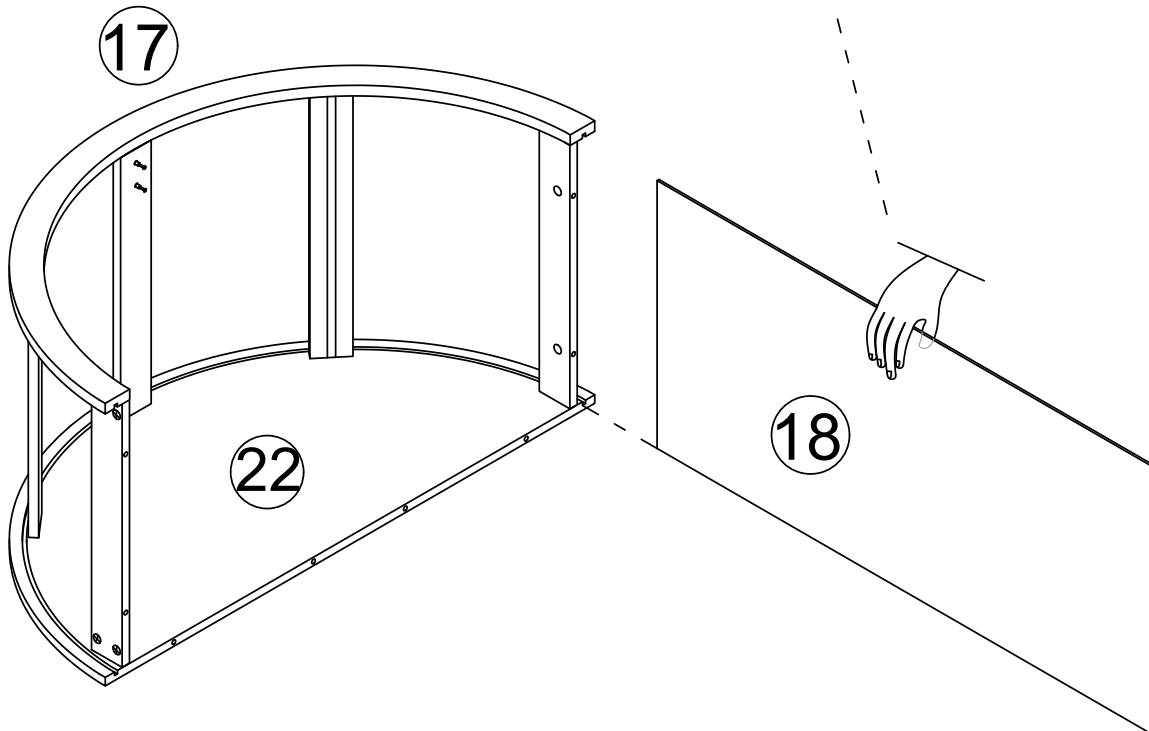
x10

Feed the wire through before tightening.

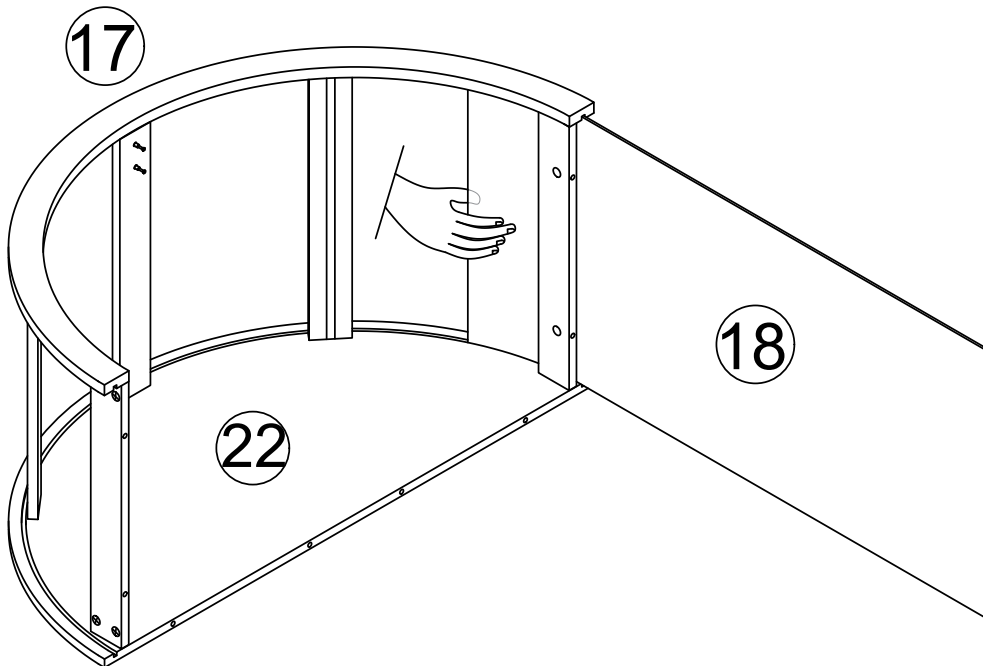


## Step 42

Note: When installing the 18 plate, push the middle of the 18 plate by hand to push the 18 plate into the groove.

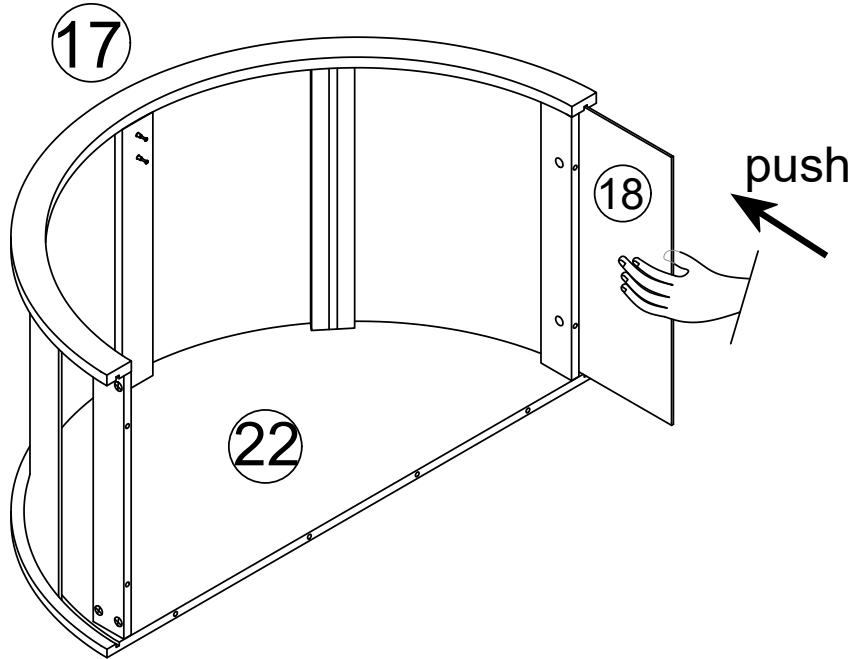


According to the circular groove, insert 18 into 17 and 22 grooves.

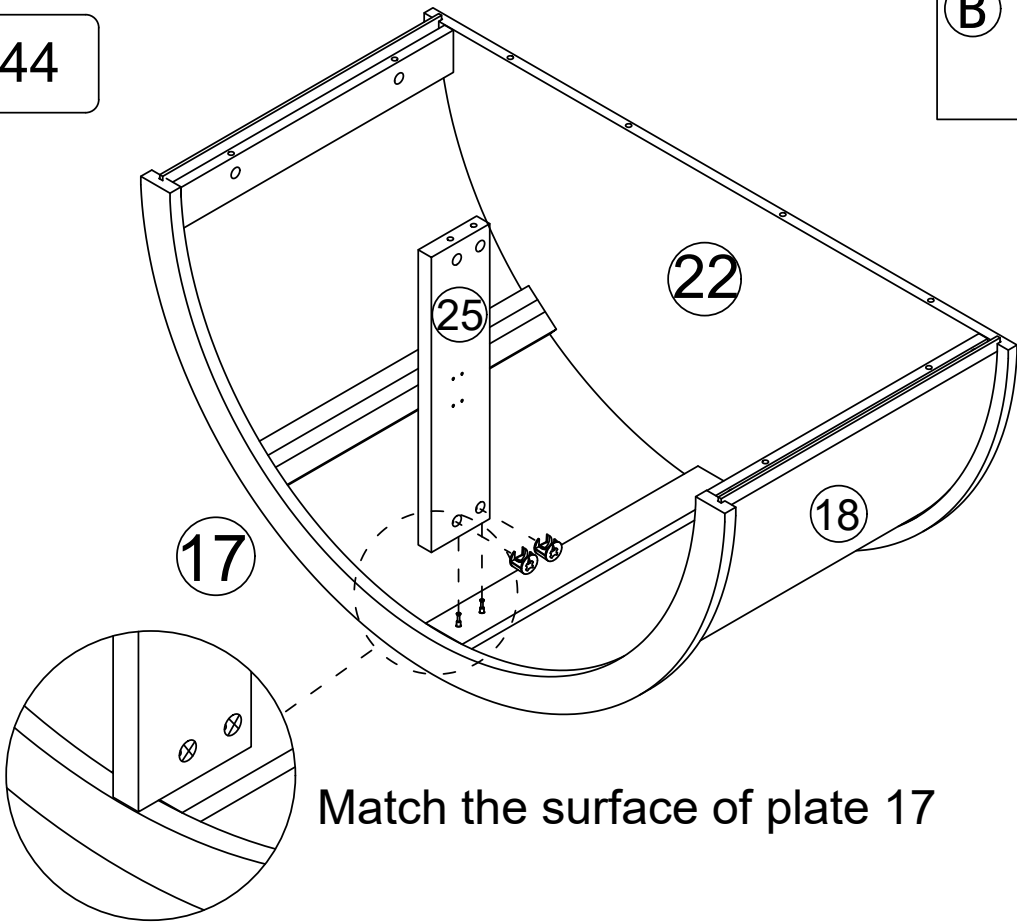


If it is difficult to push the 18 plate in, you can use the pull method.

Step 43

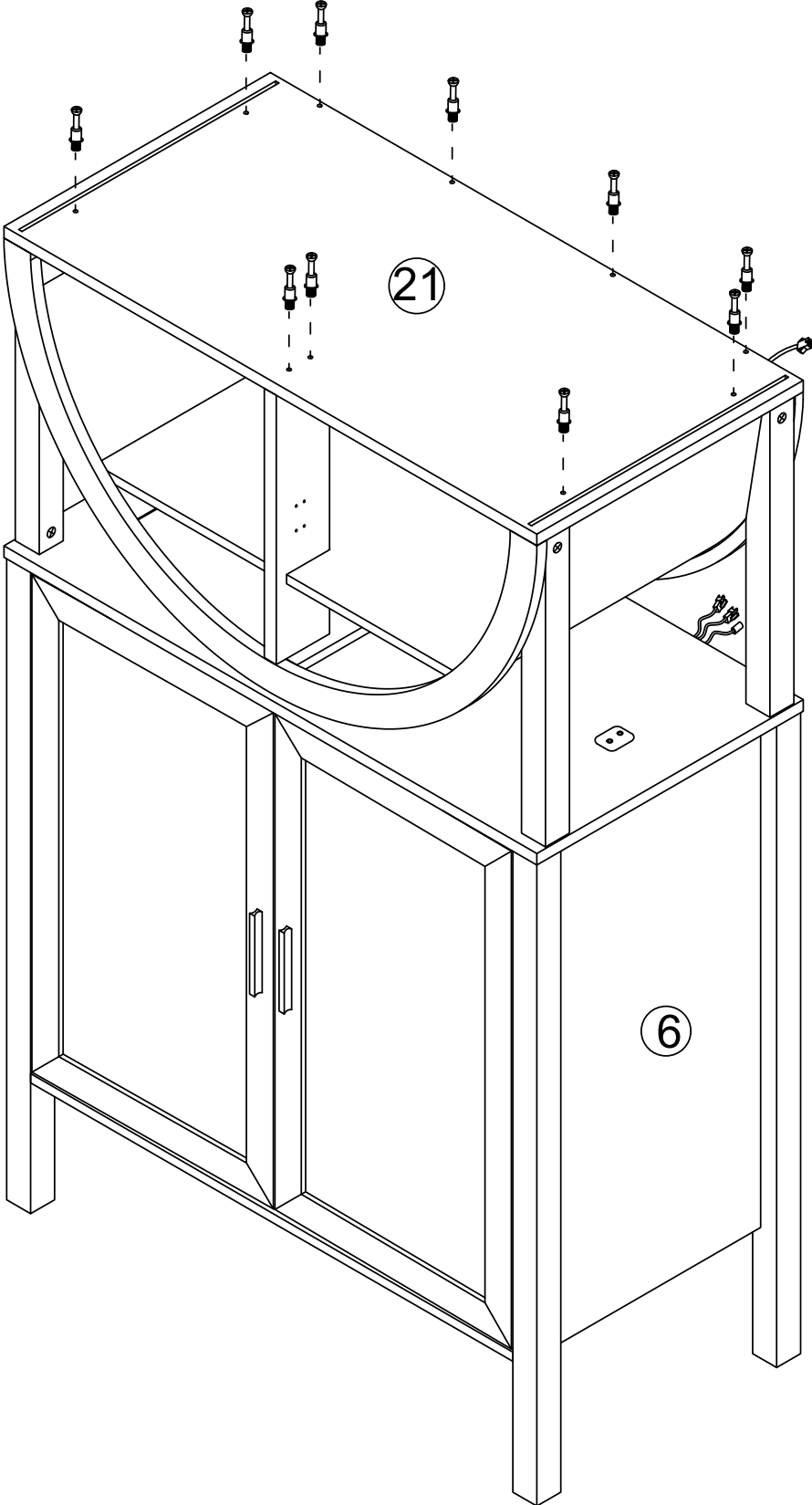
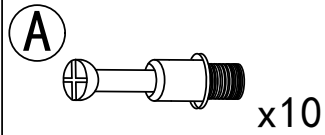


Step 44



Proper installation is shown in the diagram.

Step 45



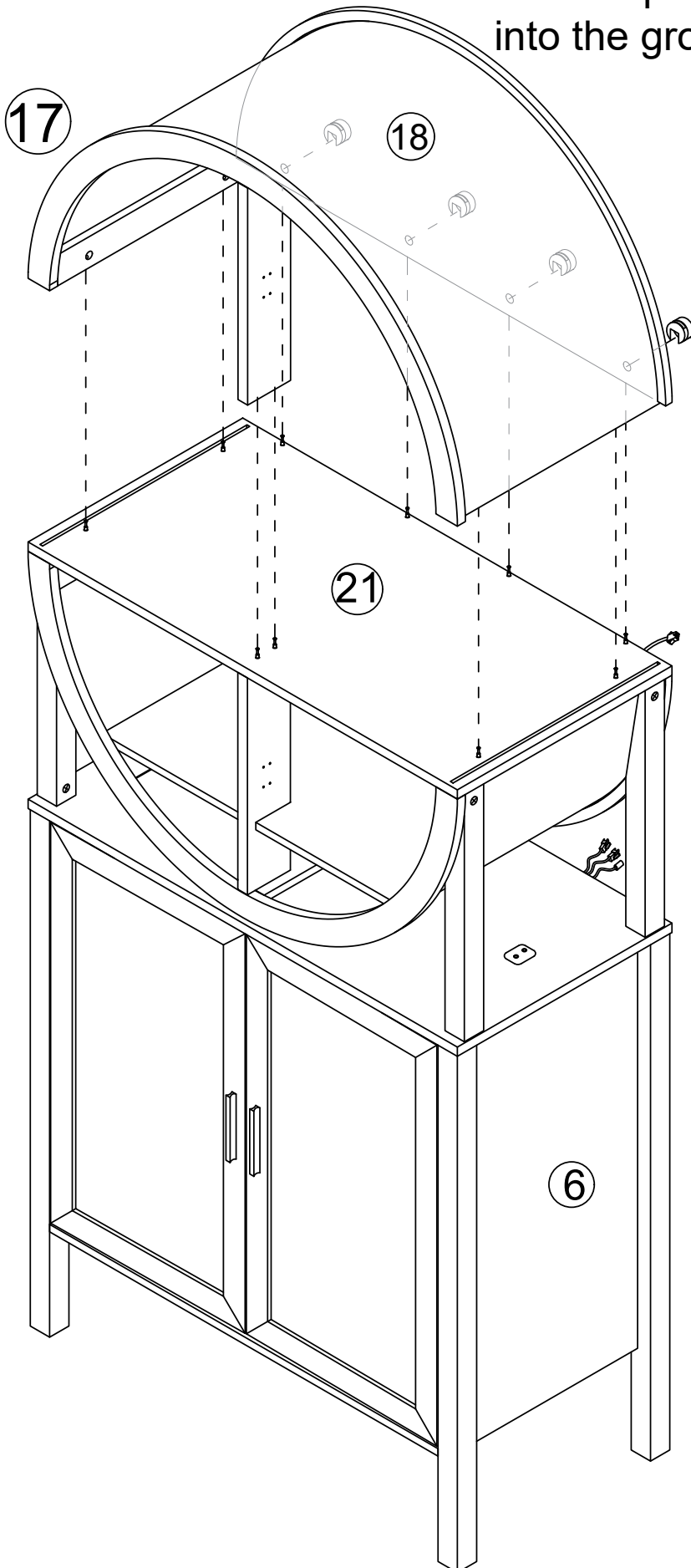
# Step 46

(B)



x4

Note: After installing the 21 board, you need to pat the backboards on both sides into the grooves of the 21 board by hand.



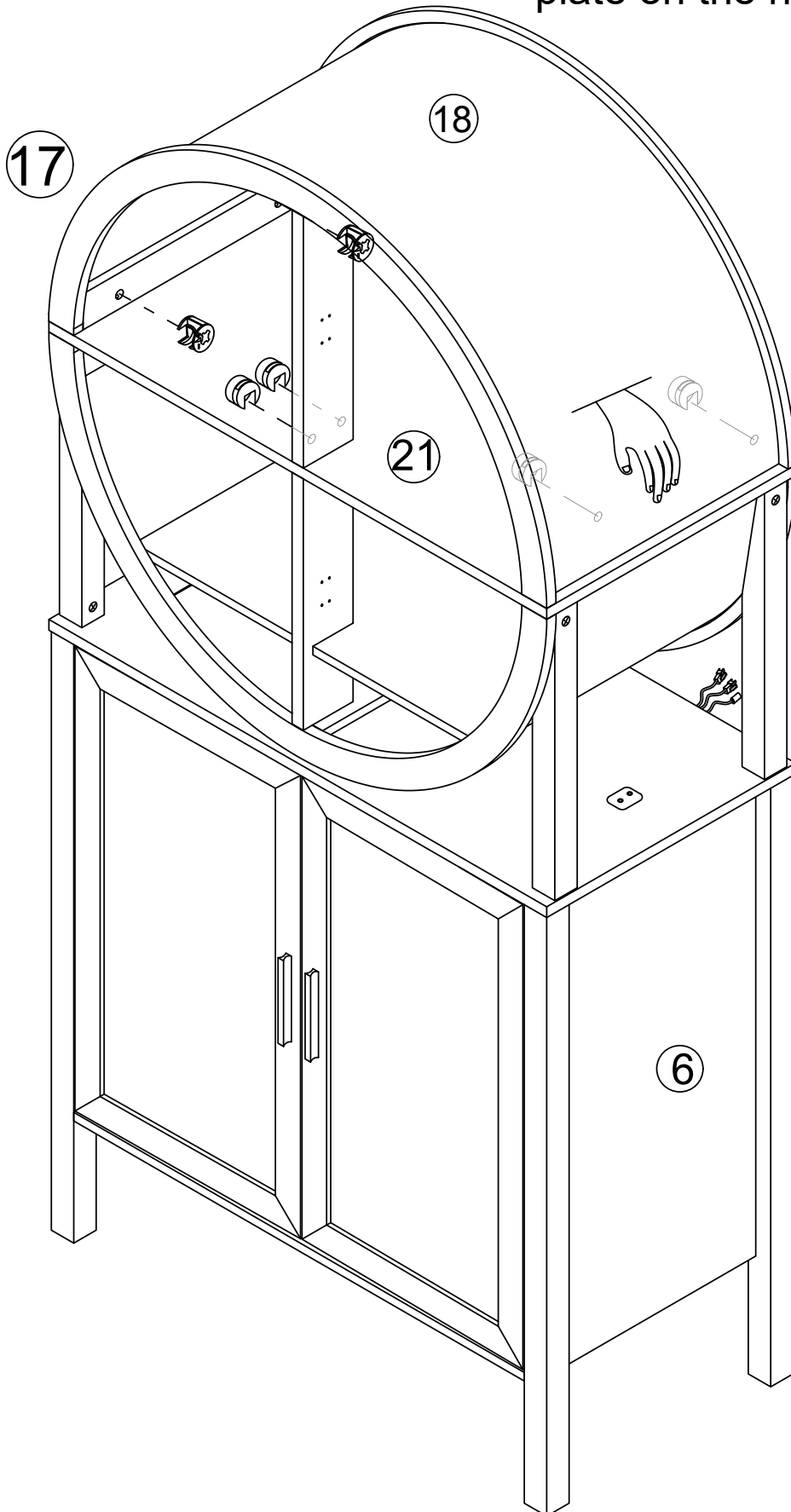
# Step 47

B



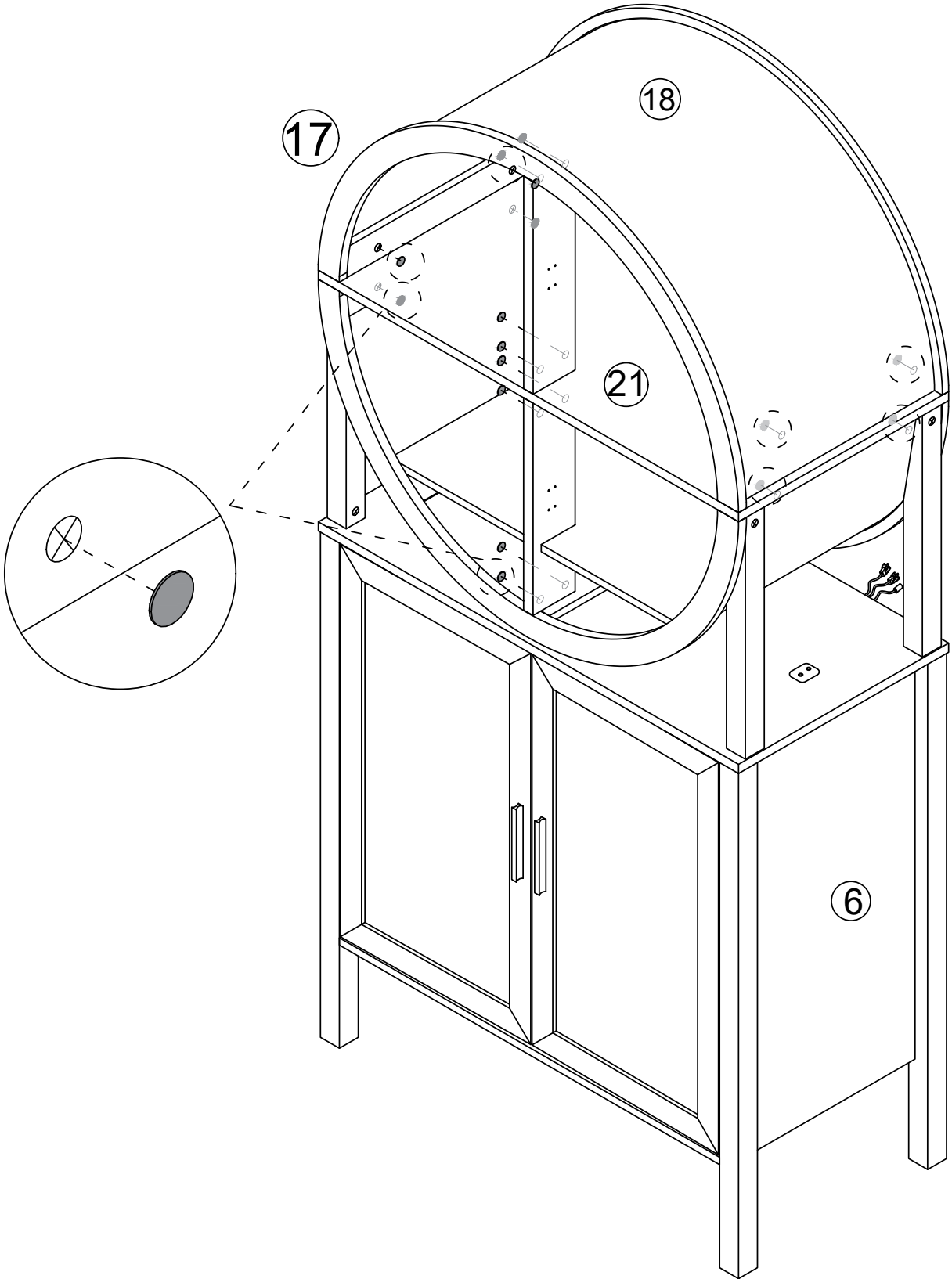
x6

Note: pat the 18 plate on the left and then screw the nut, then pat the 18 plate on the right and screw the nut.

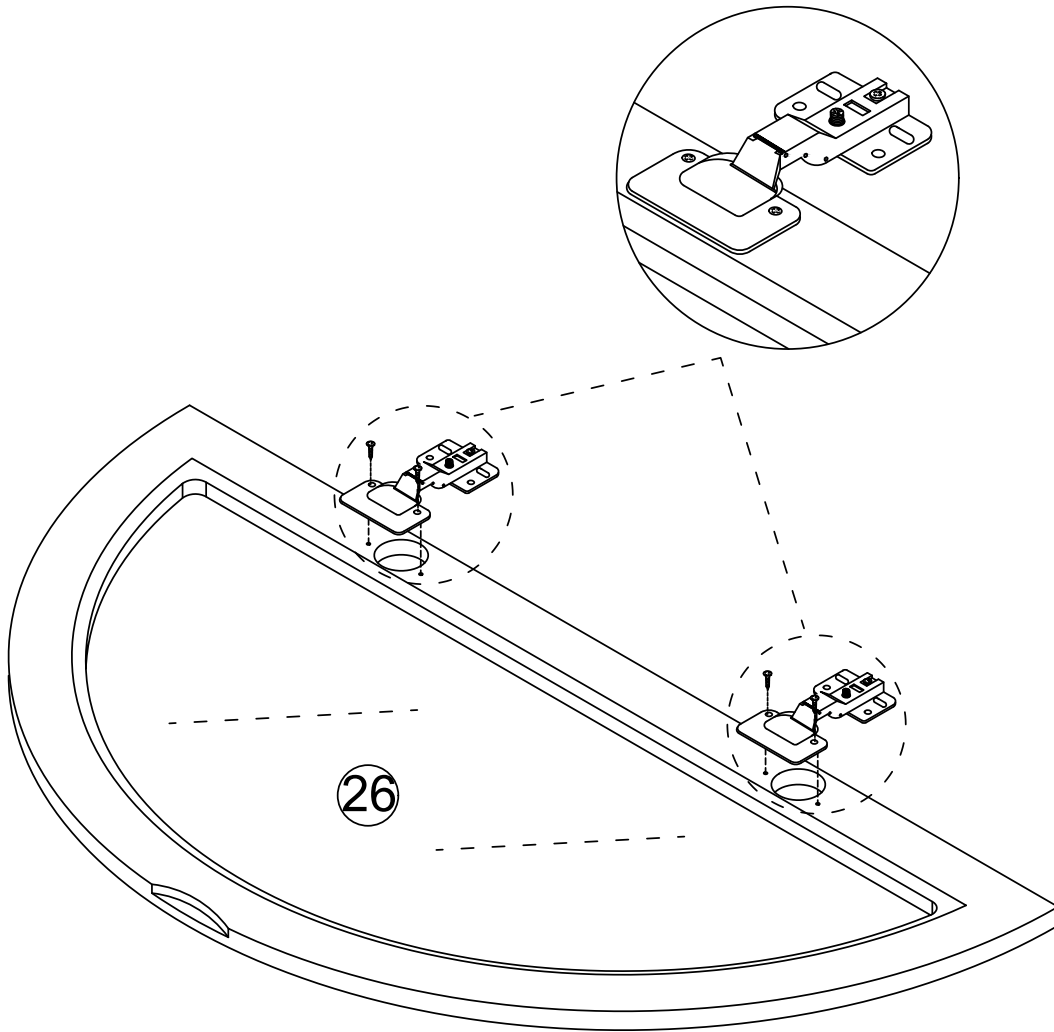
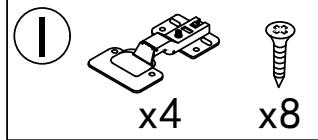


Step 48

0 x16




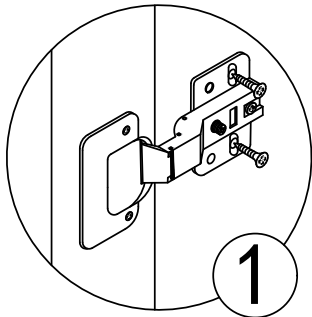
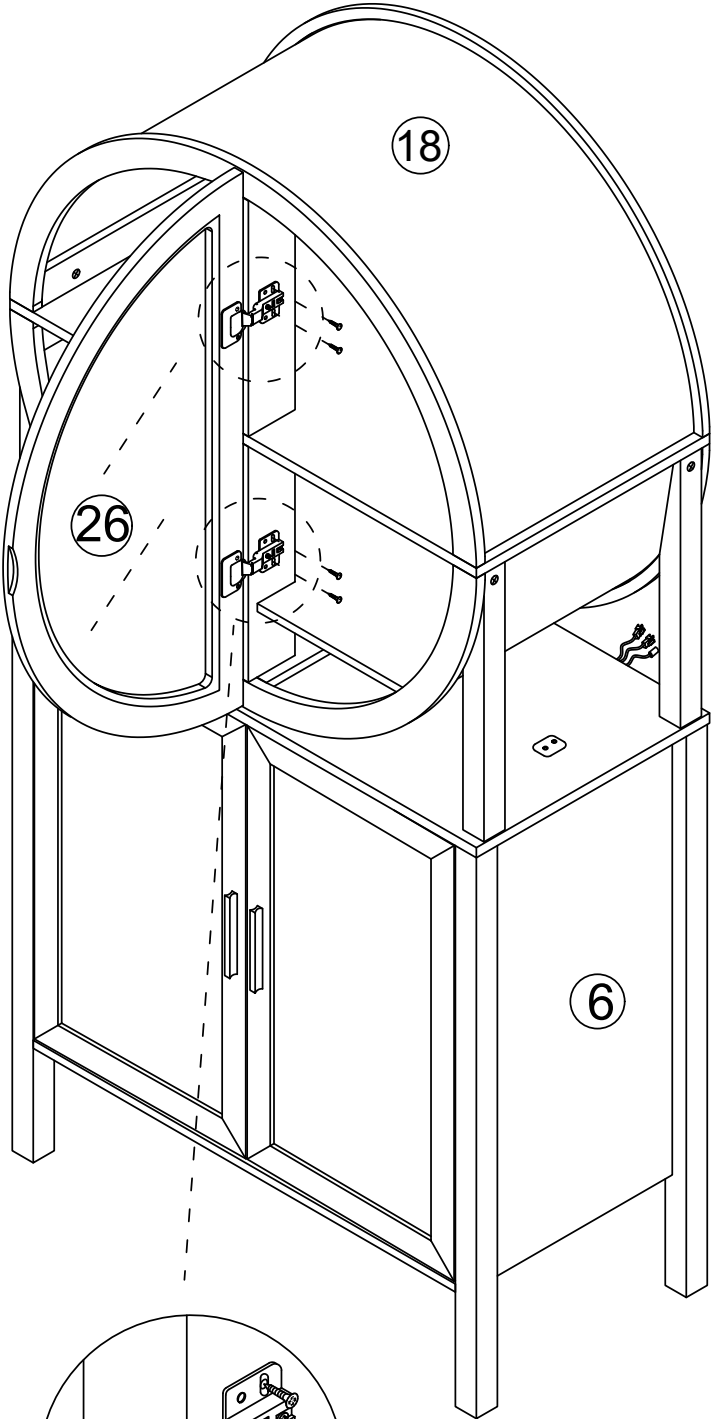
Step 49



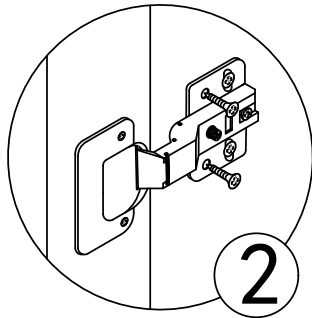
x2

Step 50

①  x8




1



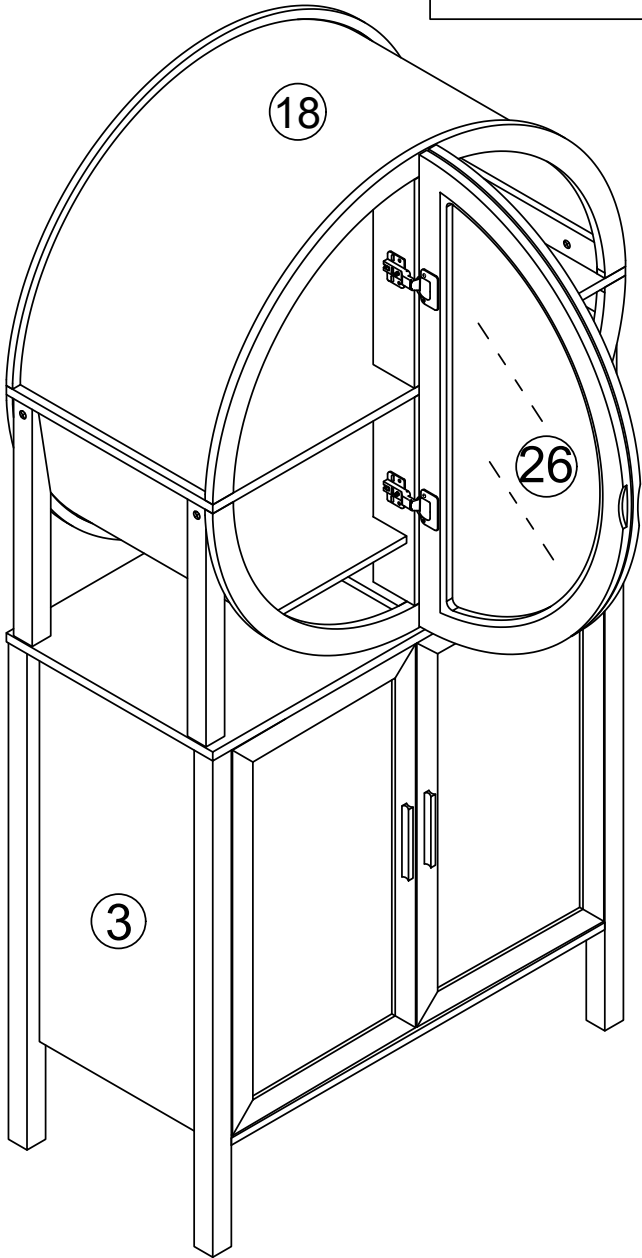
2

First lock the elliptical hole then lock the fixed hole

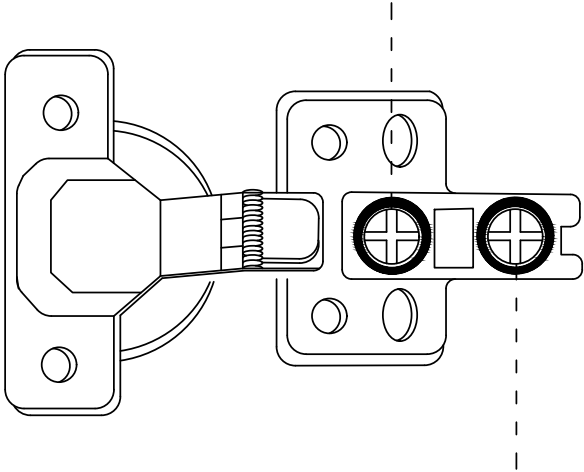
# Step 51

I  x8

The other door is installed in the same way




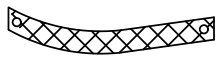

Turning this screw can effectively adjust the size of the door gap.

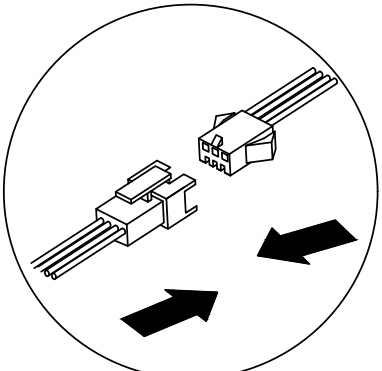
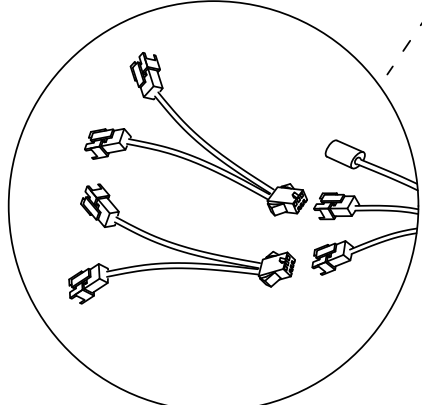
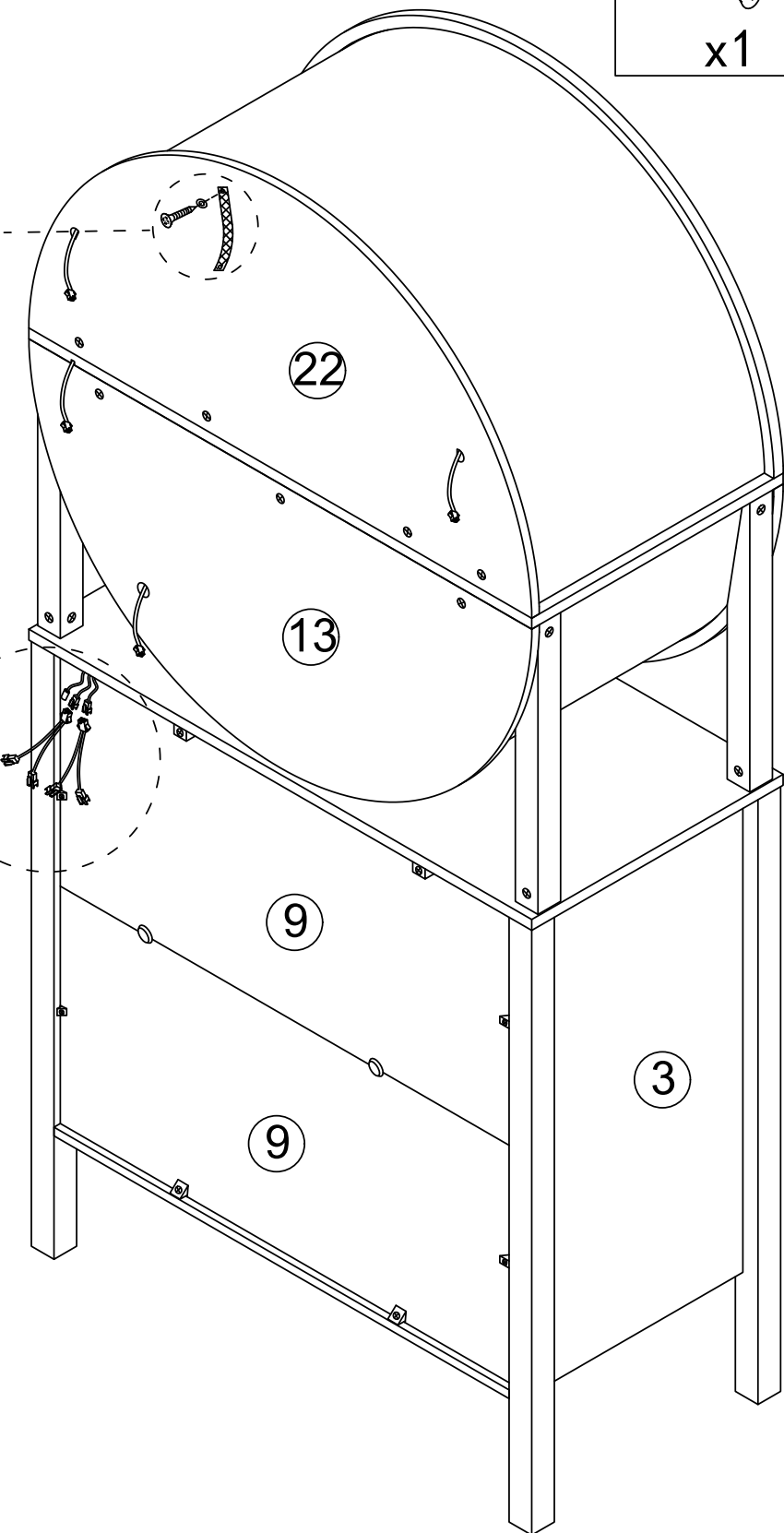
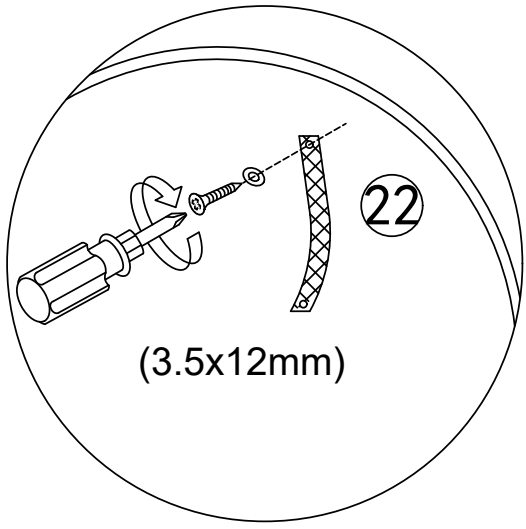


Turn this screw to adjust the door panel to be flat with the side panel.

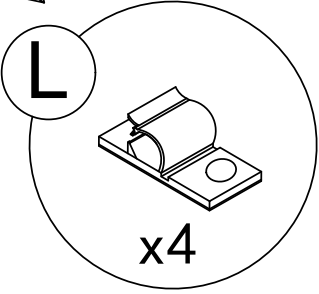
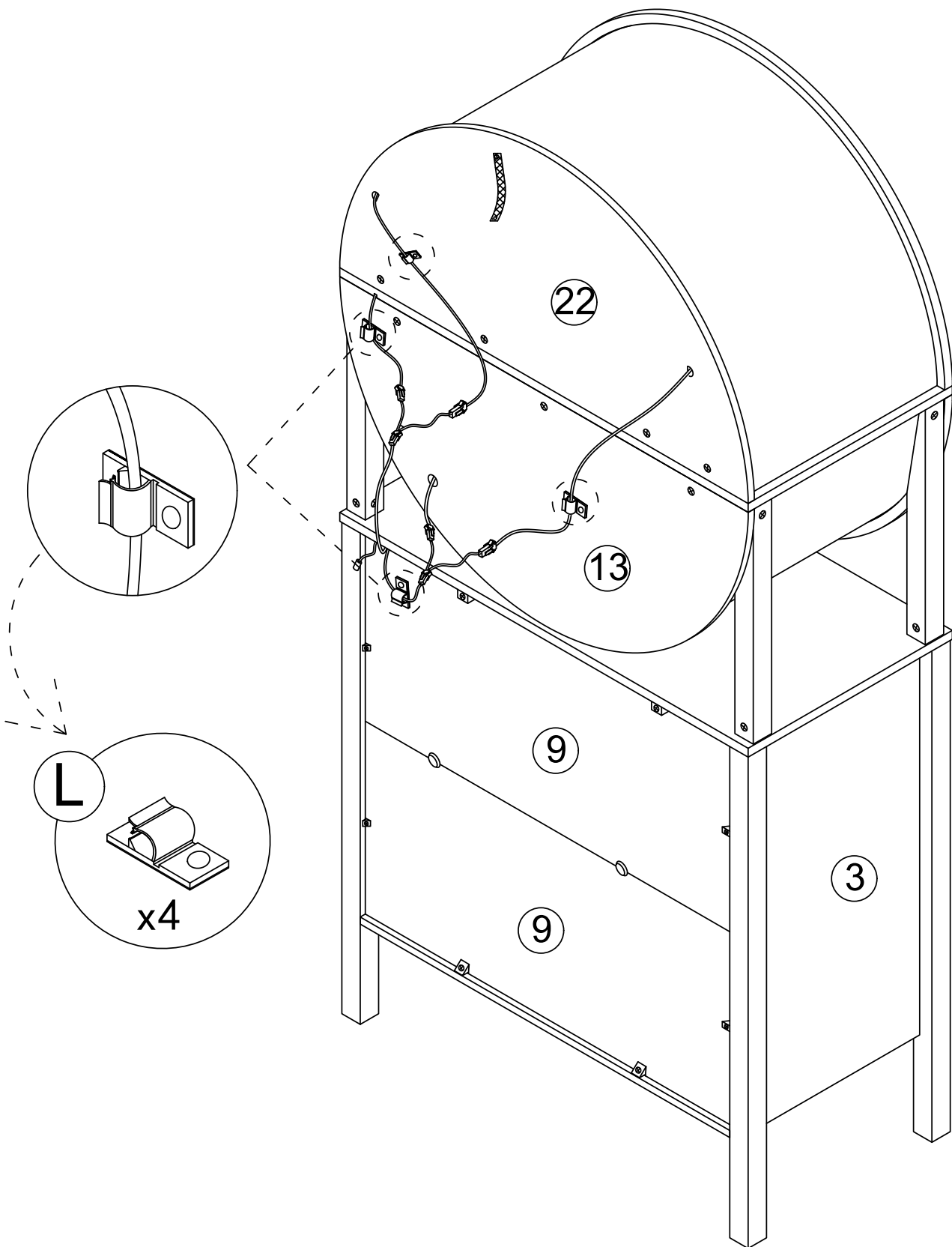
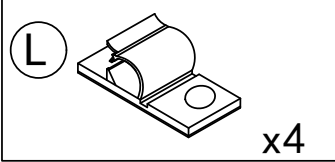
# Step 52

Install the anti-rewind tape on the 22 board.

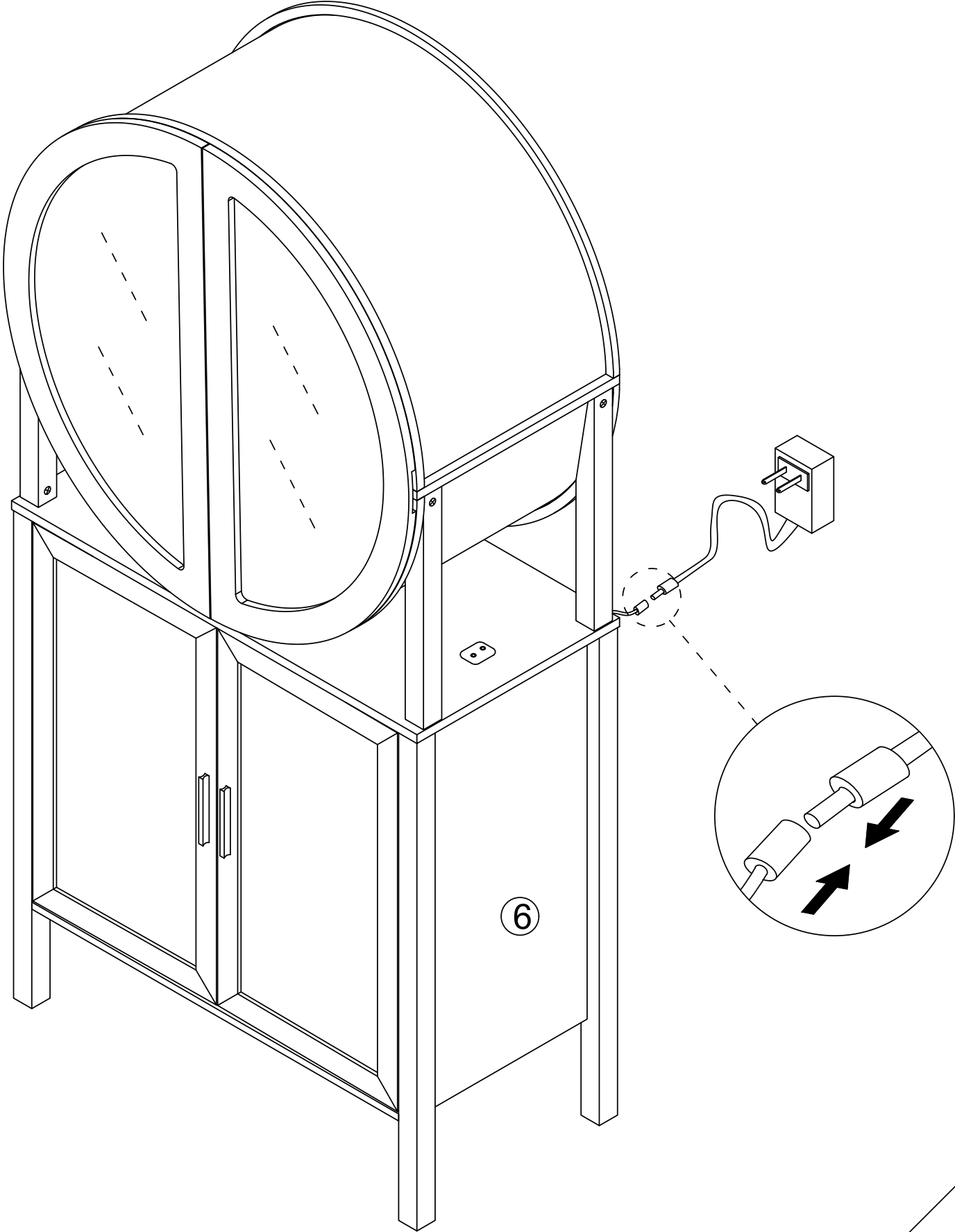
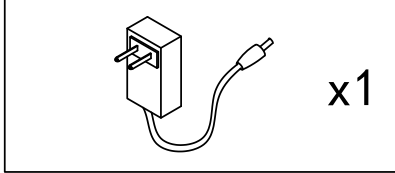
- J  x2
- K  x1
-  x1
-  x1



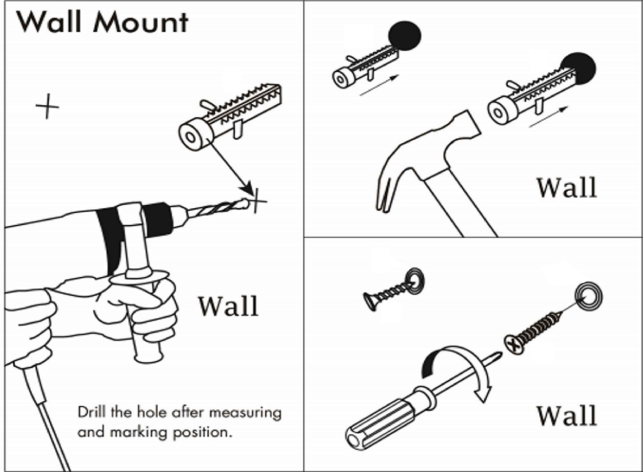
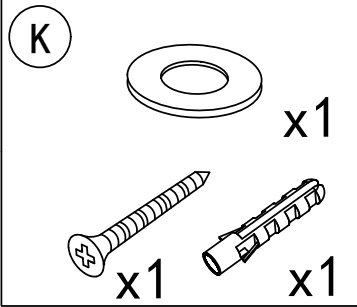
Step 53



Step 54



# Step 55

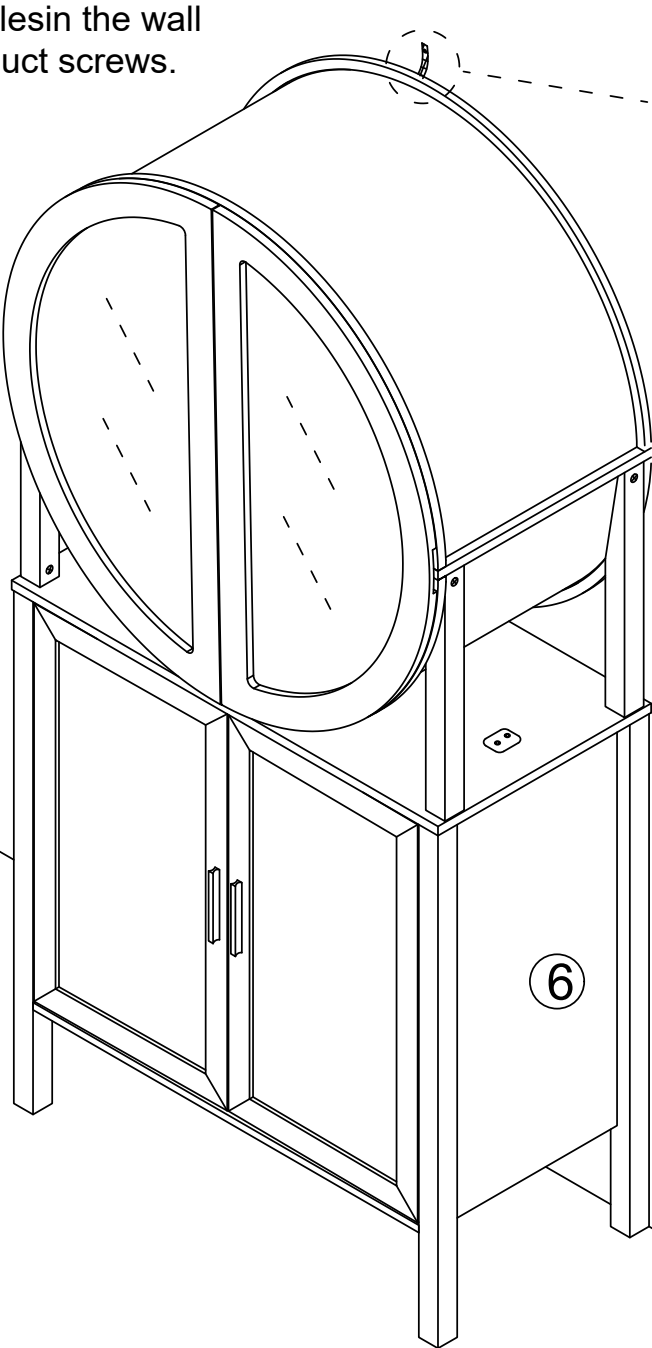


use a ruler to measure the approximate height of the product on the wall, and then mark it with a pencil.

Put the expansion bolt into the hole.

Pass the matching screws through the "anti-rewind" and tighten them to fix them on the wall.

Use a tape drill to make holes in the wall that are suitable for the product screws.



6

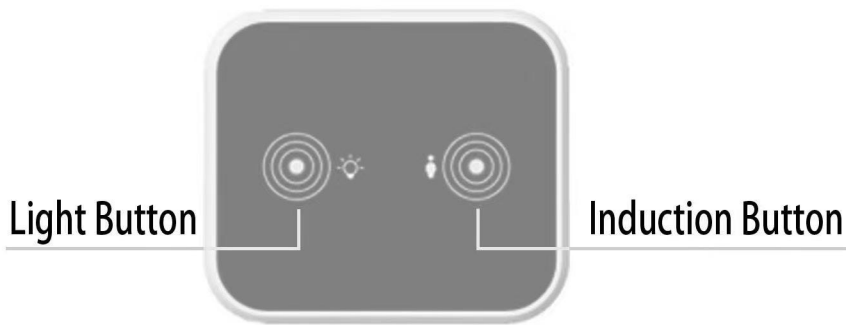
# User's Guide

Thank you for purchasing this product. To use this product, please plug it into a 12V DC power supply. Please use if the product works normally after connecting to power.

## Introduction

The box is an intelligent controller with 2 touch buttons. It can turn ON/OFF the light, change light colors, and adjust the light luminance.

## Product Show



### ATTENTION PLEASE

1. If there is no touch response suddenly, Re-plug the power to reset the touch static electricity.
2. If bubbles appear on the panel, remove the protective film.

## Operation



This touch button is used to turn on/off, change colors, and adjust brightness.

- A. Short touch -> lighting on -> short touch -> change light color -> short touch -> change light color -> short touch -> lighting off. B. Long touch -> adjust the luminance



This touch button is used to turn on/off the induction function.

- A. Short touch to turn on the induction function. It can auto-turn on the light when people are close to the controller in 1 meters. It can auto power off the light when the body is far away from the controller after 30 seconds.
- B. Long touch to turn off the induction function.
- C. Note: When you touch the light button to change the light modes, the induction function will automatically turn off. It is best to turn on this function after selecting the light color and adjusting the brightness you want.