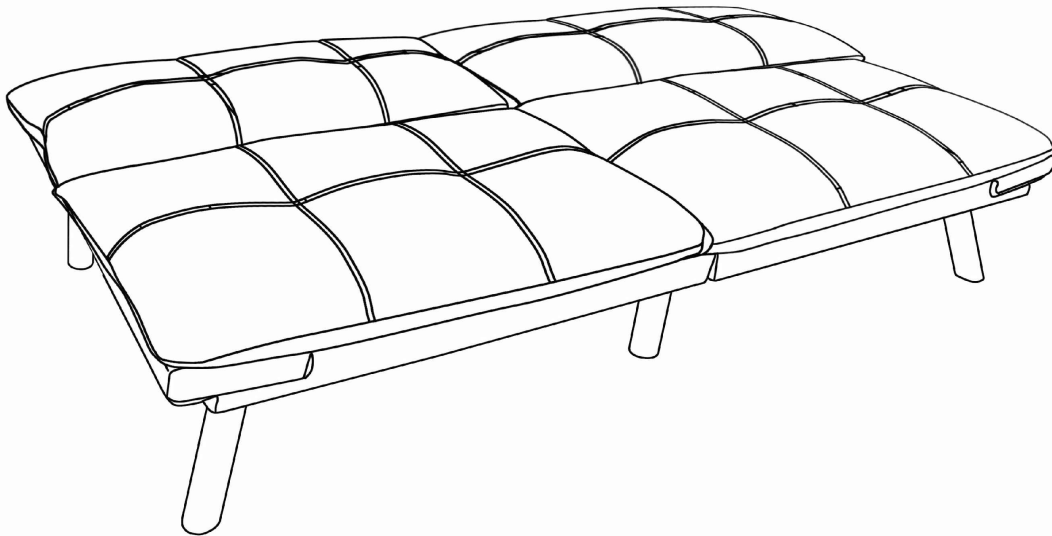
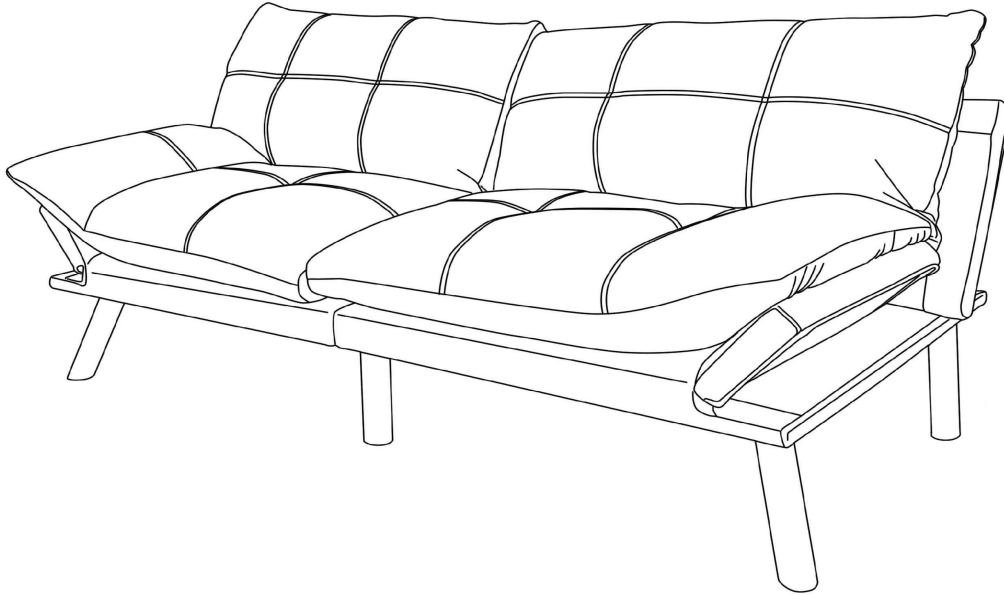


ASSEMBLY INSTRUCTIONS



BEFORE BEGINNING ASSEMBLY:



Read instructions cover to cover



Have two adults on hand for assembly

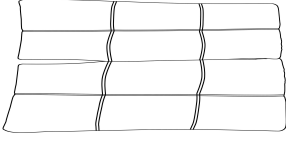
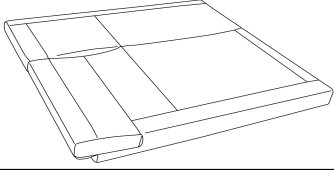
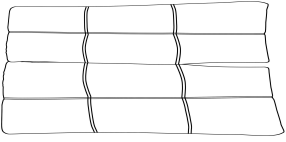
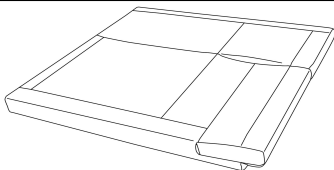
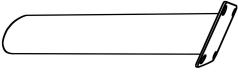
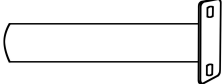


Do NOT assemble on flooring or carpet. Assemble on a clean non-marring surface (ex: packing foam)

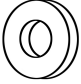





Save all packaging until assembly is complete

PARTS LIST

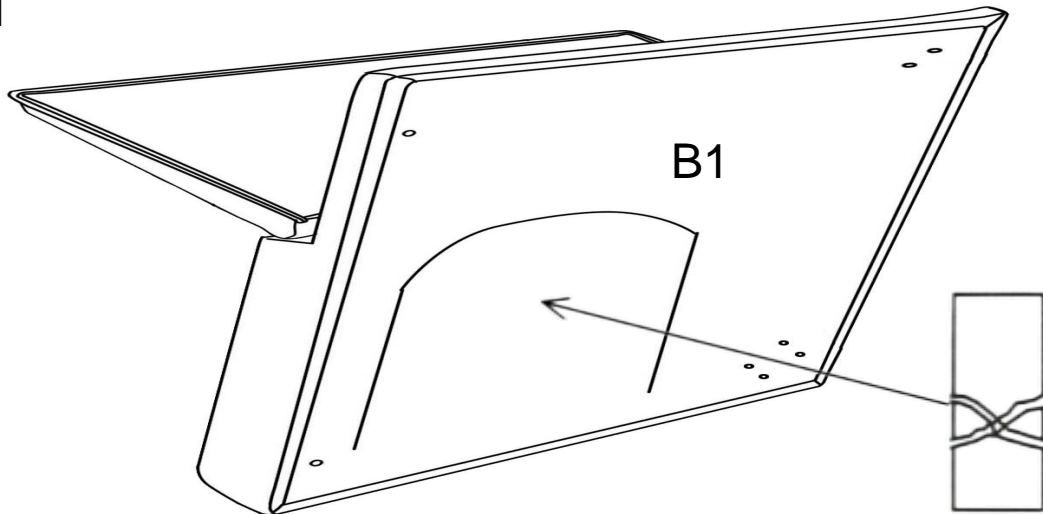
LABEL	PICTURE	DESCRIPTION	QTY
A1		Left Seat Cushion (wide) with Left Back Cushion (narrow)	1
B1		Left Sofa bed Frame (sear with adjustable arm)	1
A2		Right Seat Cushion (wide) with Right Back Cushion (narrow)	1
B2		Right Sofa bed Frame (sear with adjustable arm)	1
C		Front Leg	2
D		Back/Mid Leg	4

HARDWARE

LABEL	PICTURE	DESCRIPTION	QTY
E		Metal Gasket	16
F		Spring Washer	16
G		Screw	16
H		Wrench	1

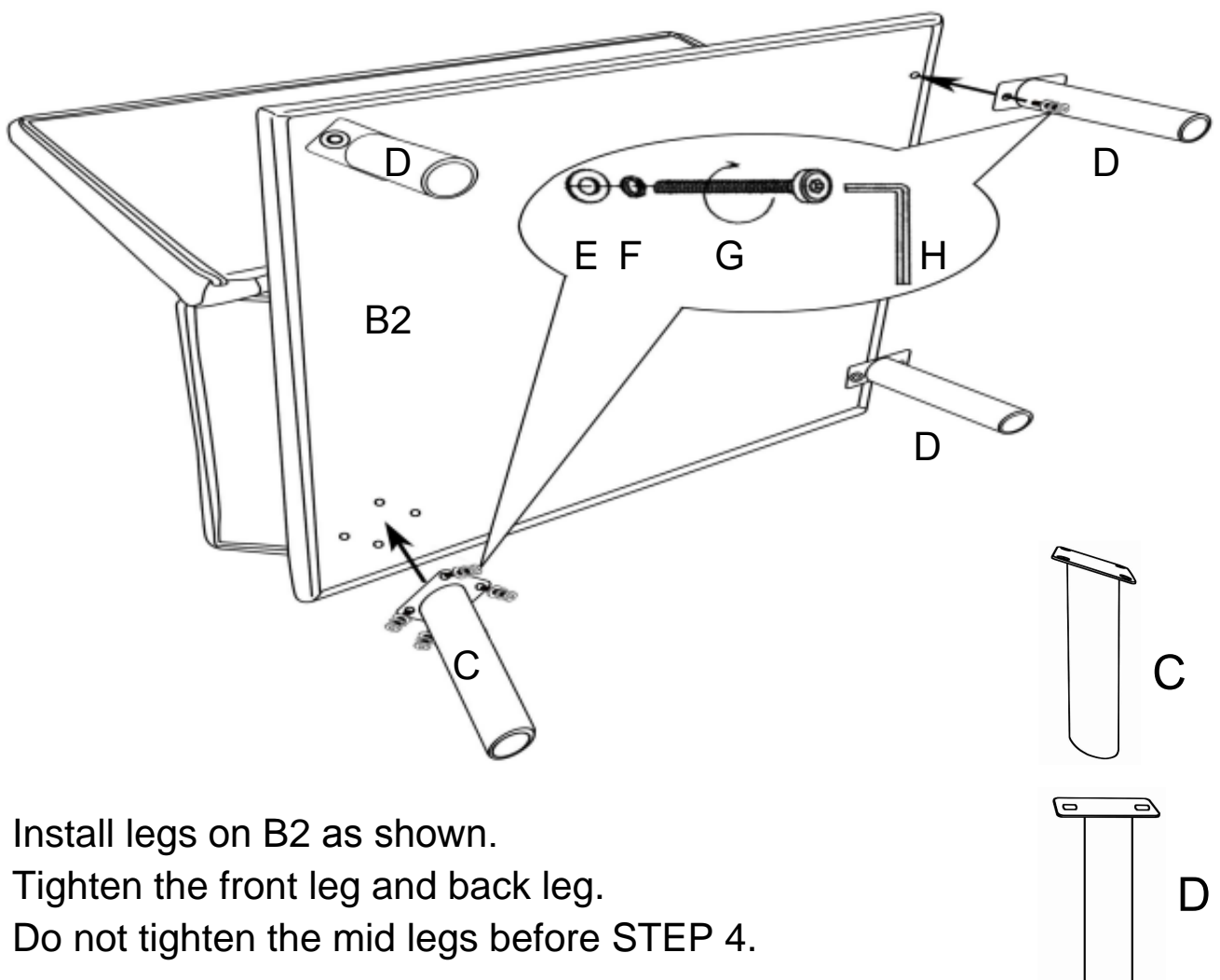
ASSEMBLY STEPS

STEP 1



- › Find the hardware pack and Legs in the pocket at the bottom of seat(B1 or B2), as shown.
- › Open pocket to take the hardware pack and six legs out.

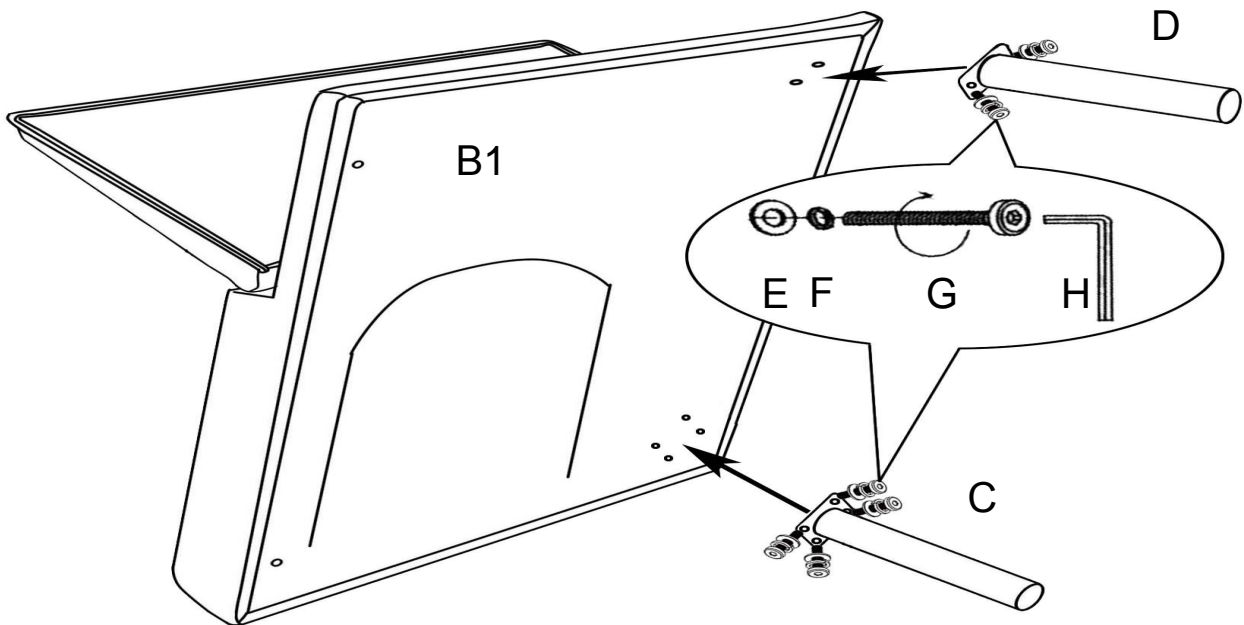
STEP 2



- › Install legs on B2 as shown.
- › Tighten the front leg and back leg.
- › Do not tighten the mid legs before STEP 4.

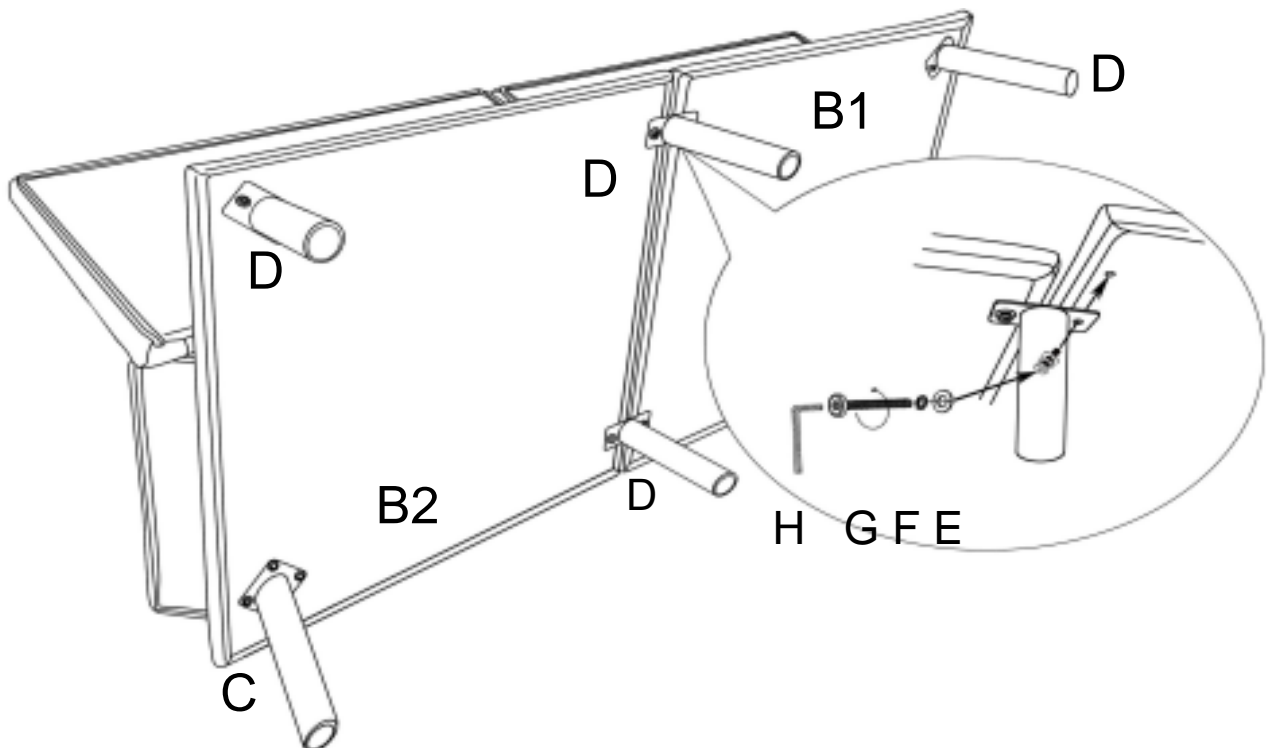
ASSEMBLY STEPS

STEP 3



› Install legs and tighten it on B1 as shown.

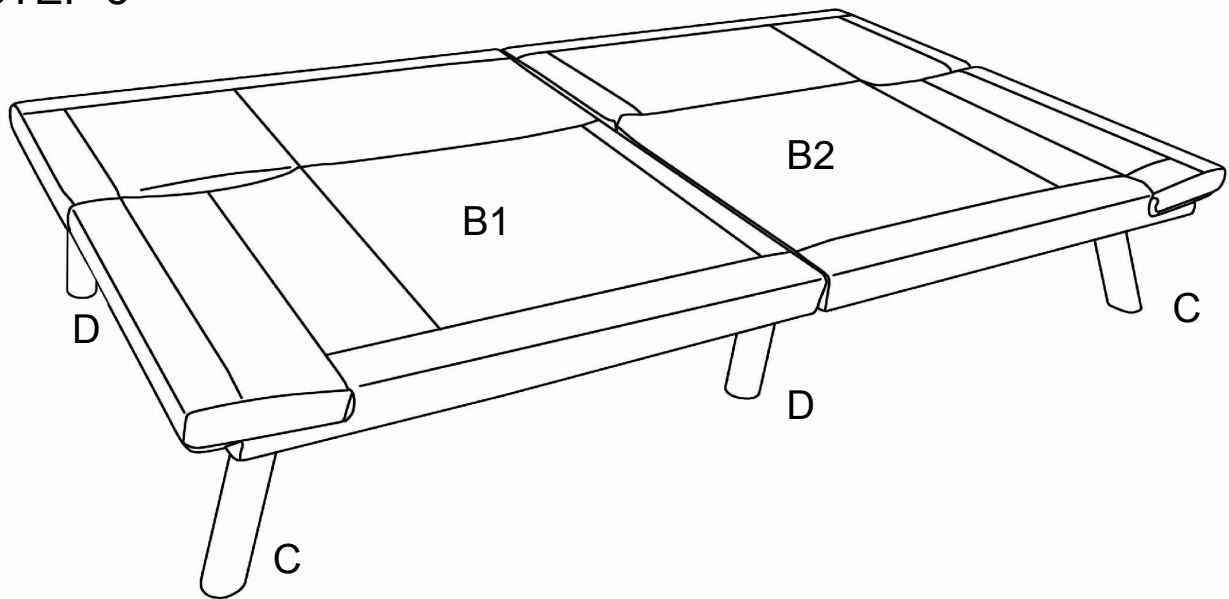
STEP 4



- › Connect B1 and B2 by mid legs.
- › Install the screw and tighten the mid legs

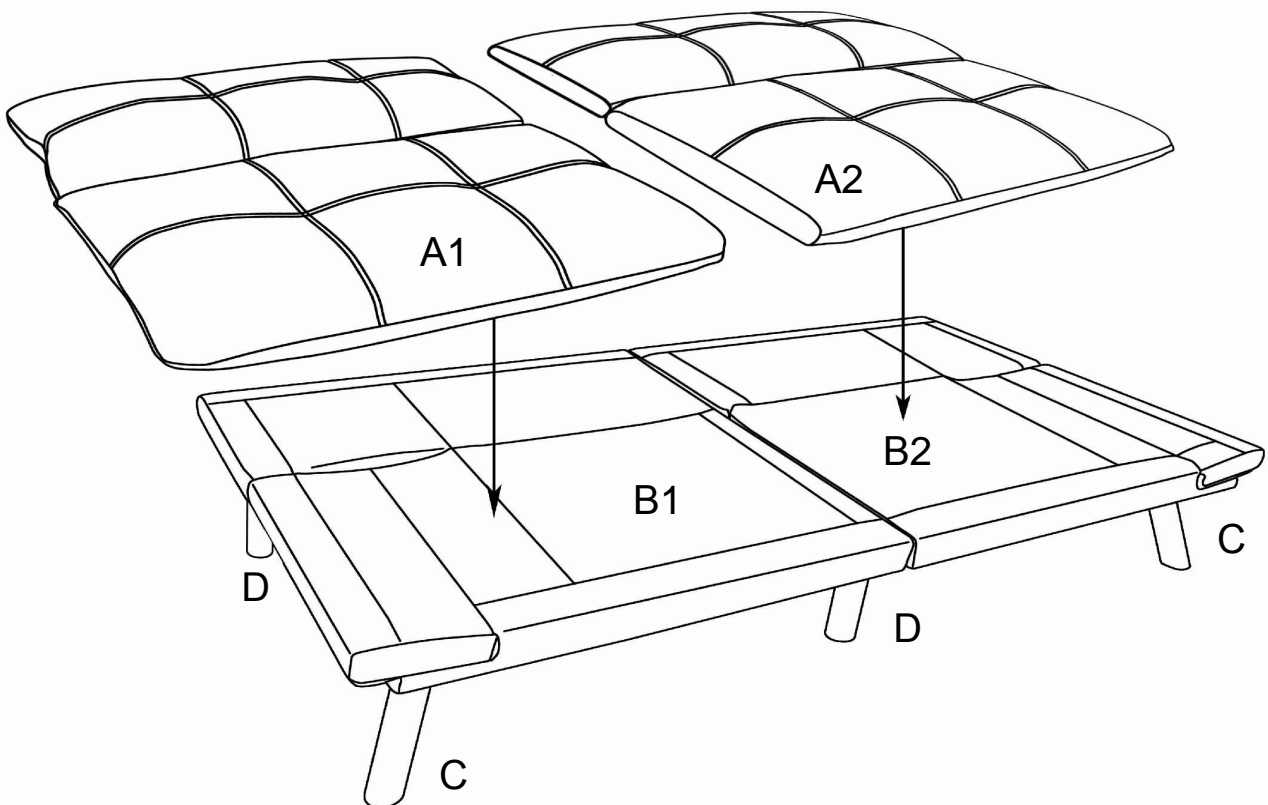
ASSEMBLY STEPS

STEP 5



› Place the sofa bed as shown

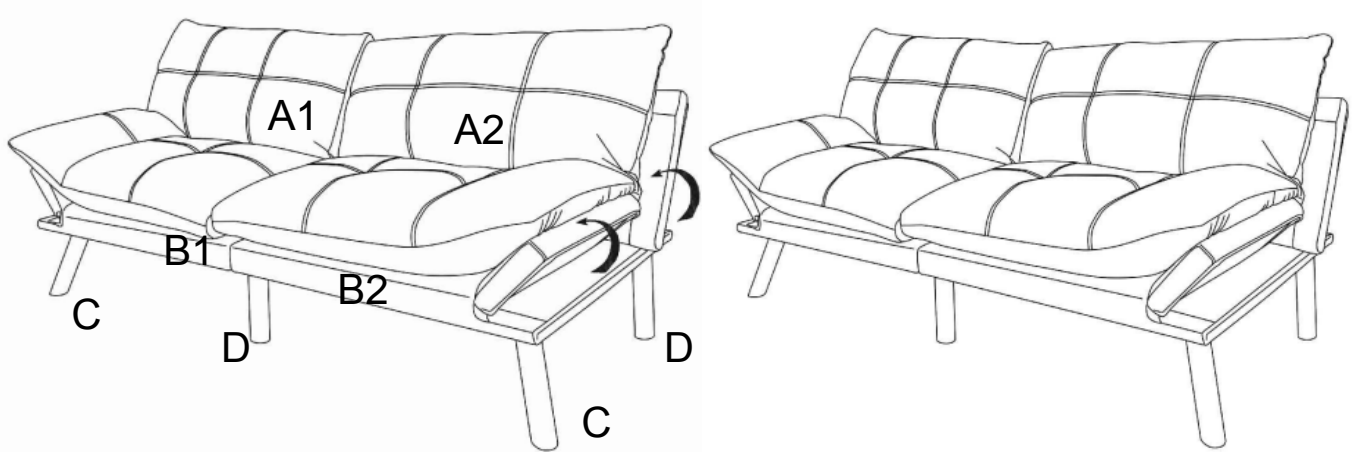
STEP 6



› Remove fabric strips on the back of A1 and A2.
cushions.› Paste A1 and A2 on B1 and B2 as shown.

ASSEMBLY STEPS

STEP 7

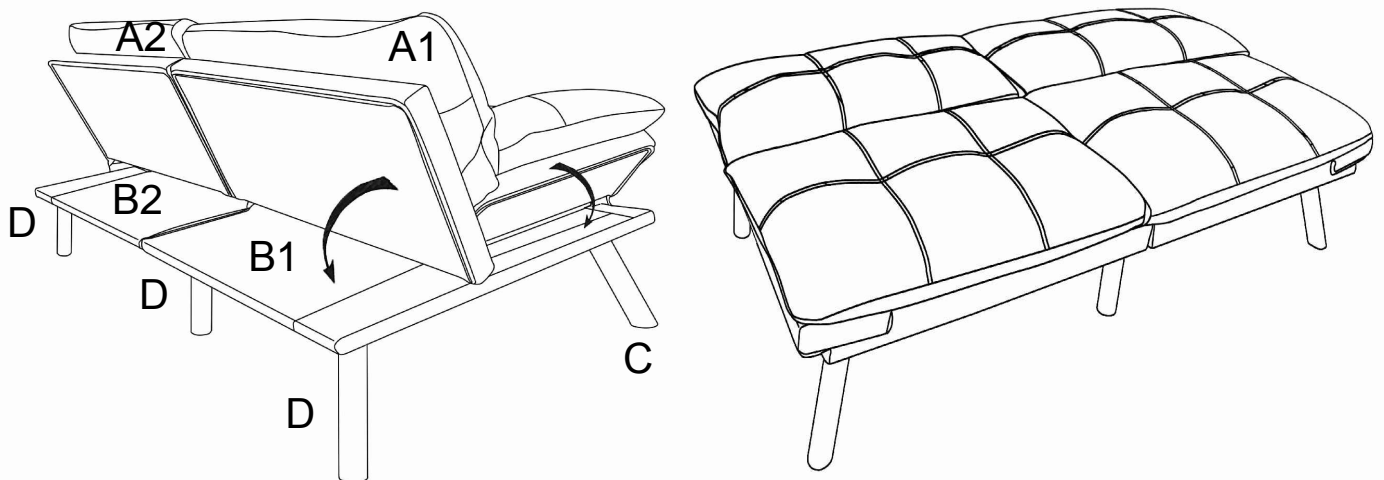


› Adjust arm and backrest to the angle you want as shown, you can hear the sound of lock at each angle.

Arm: 180°/165°/150°/135°

Backrest: 180°/150°/110°

STEP 8



› Push inside to unlock.

› Push as shown to flat the arm and backrest

Notice:

Due to the vacuum packaging treatment of the product, please wait 1-2 days after installation, it will naturally become fluffy.