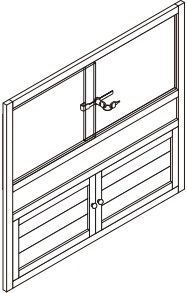
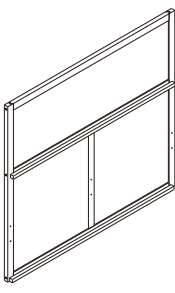
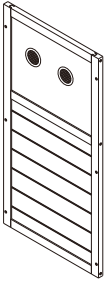
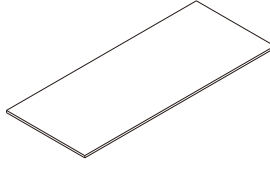
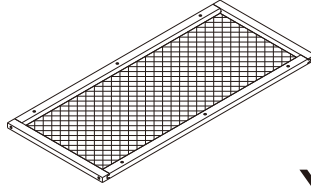


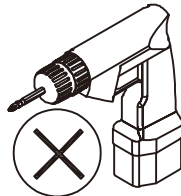
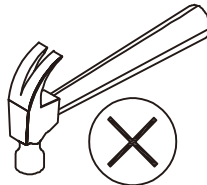
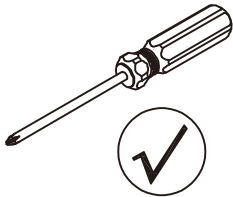
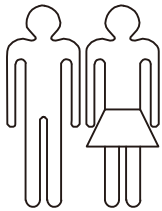
W-SRT002-GY

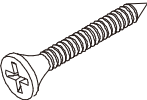

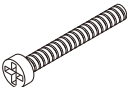
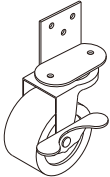

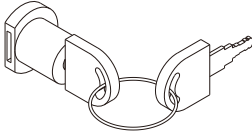
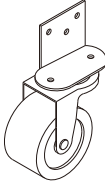
Made In China

# Parts List

<p>①</p>  <p>X1</p>	<p>②</p>  <p>X1</p>	<p>③</p>  <p>X2</p>
<p>④</p>  <p>X2</p>	<p>⑤</p>  <p>X1</p>	

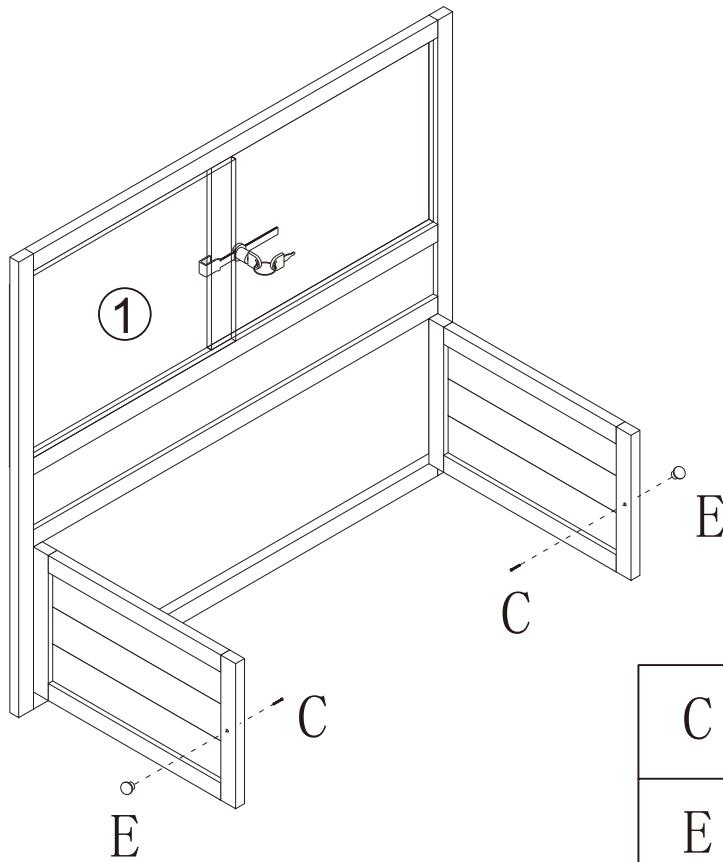
# Hardware List

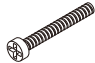



<p>A</p>  <p><b>18PCS</b> M4×35mm</p>	<p>B</p>  <p><b>20PCS</b> M3×16mm</p>	<p>C</p>  <p><b>2PCS</b></p>	<p>D</p>  <p><b>2PCS</b></p>
<p>E</p>  <p><b>2PCS</b></p>	<p>F</p>  <p><b>1PC</b></p>	<p>G</p>  <p><b>2PCS</b></p>	

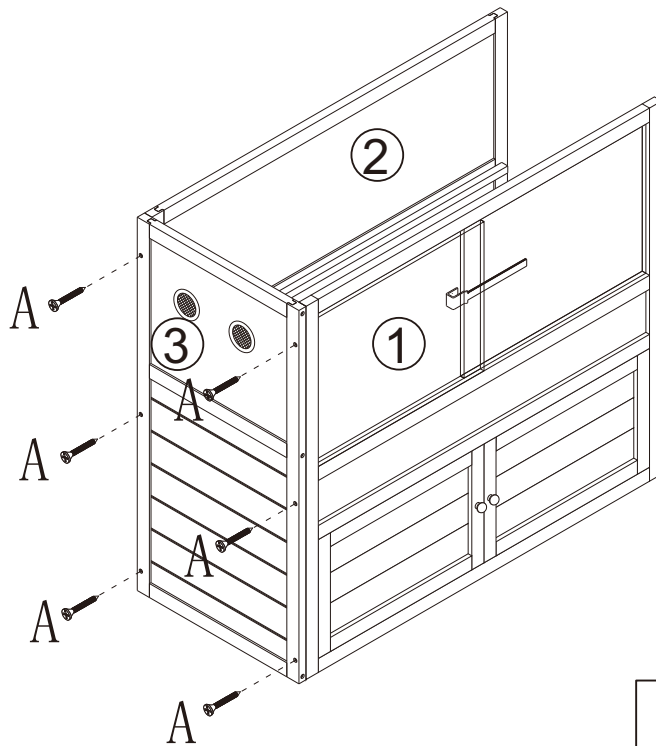
# Assembly Steps

1



C		X2
E		X2

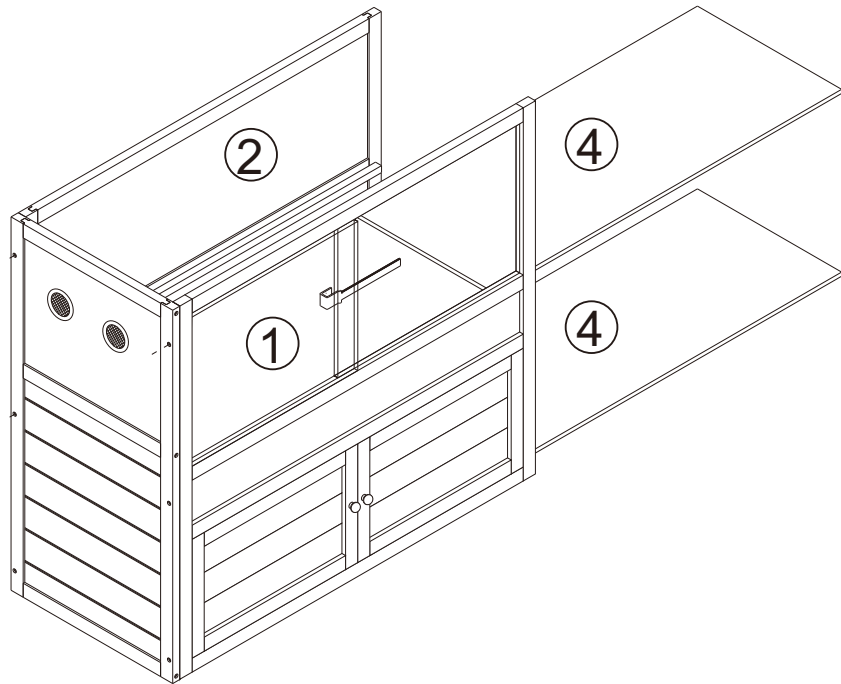
2



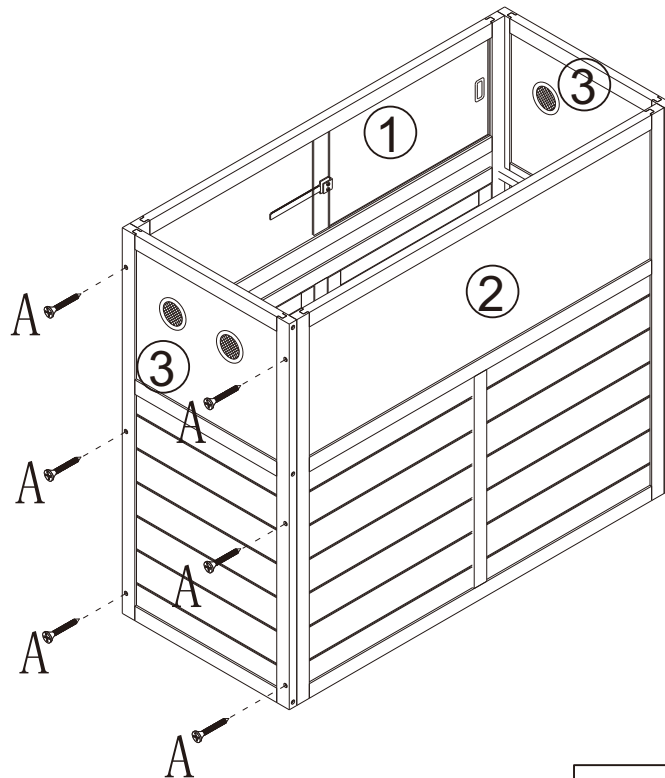
A		X6
M4×35mm		

# Assembly Steps

3



4



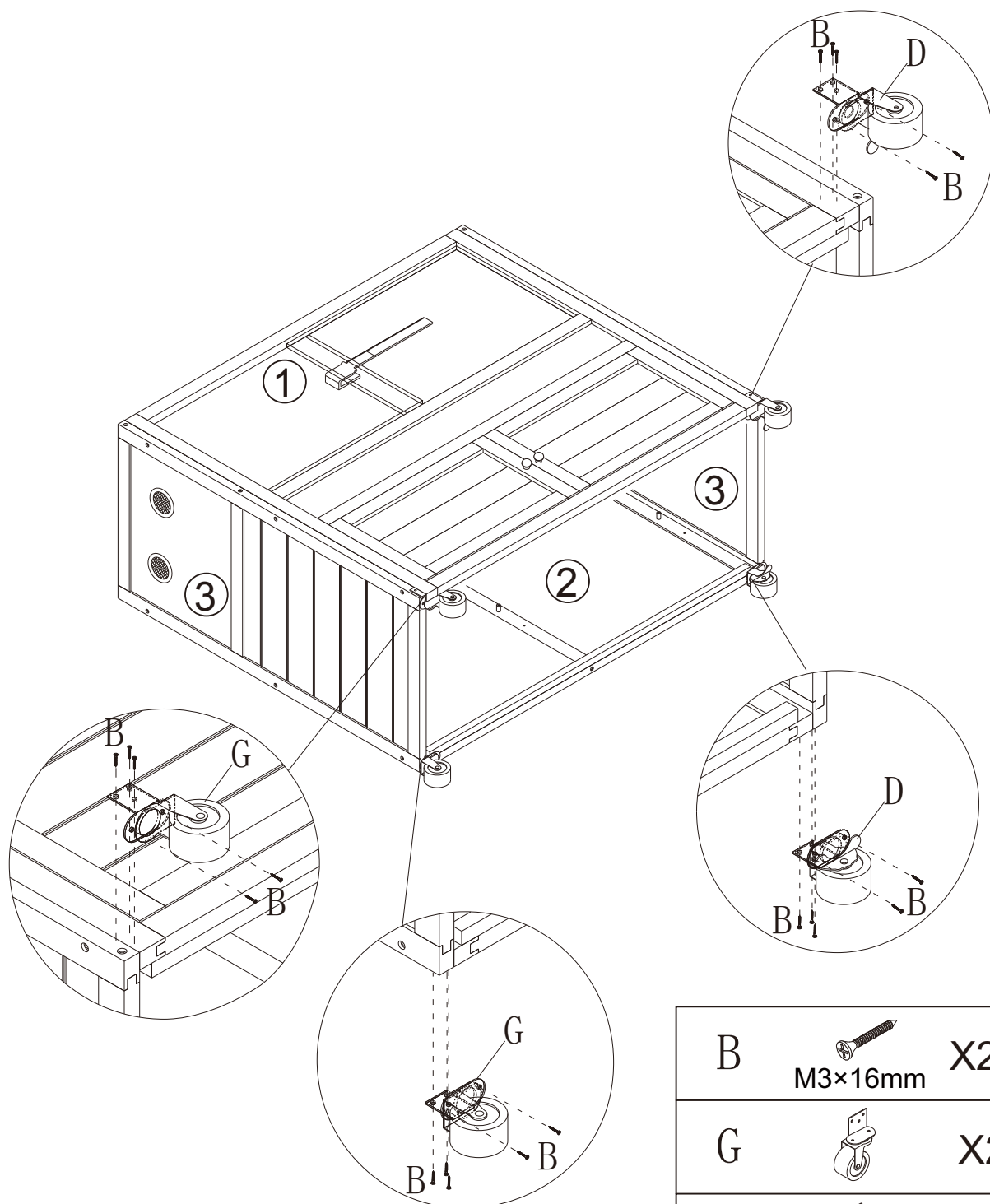
A



X6

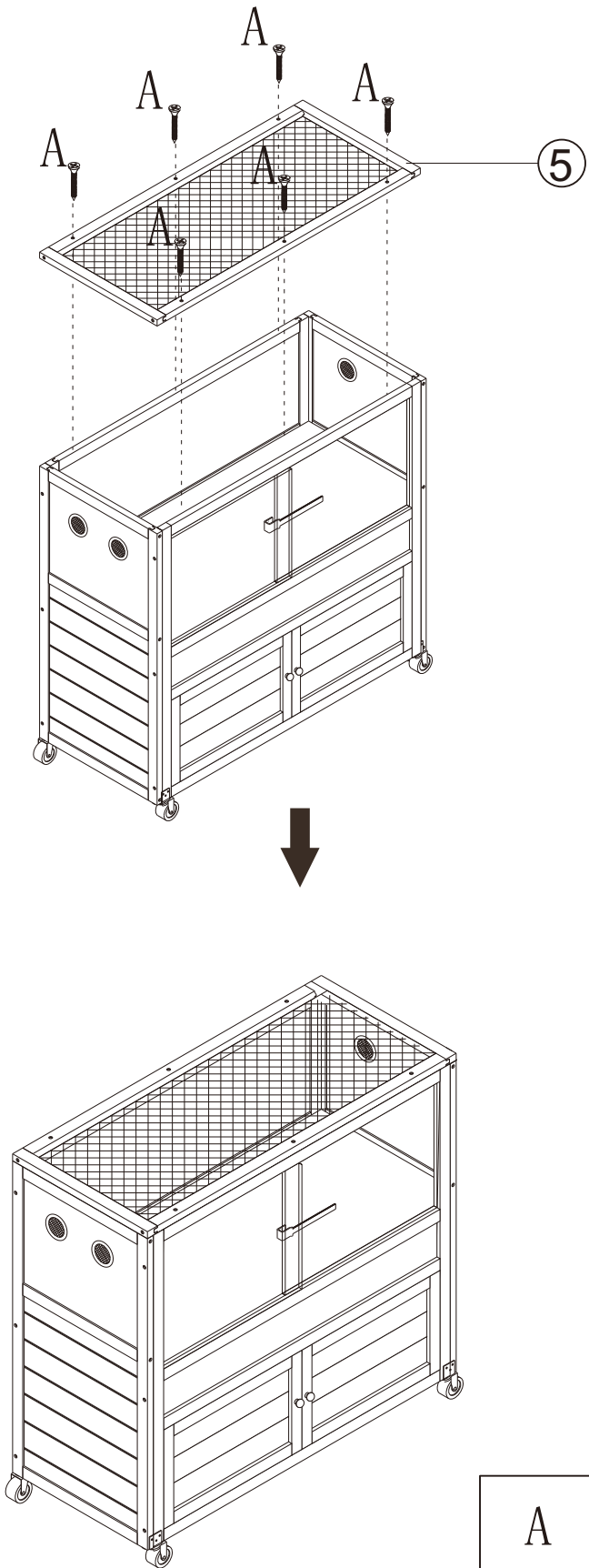
# Assembly Steps

5



# Assembly Steps

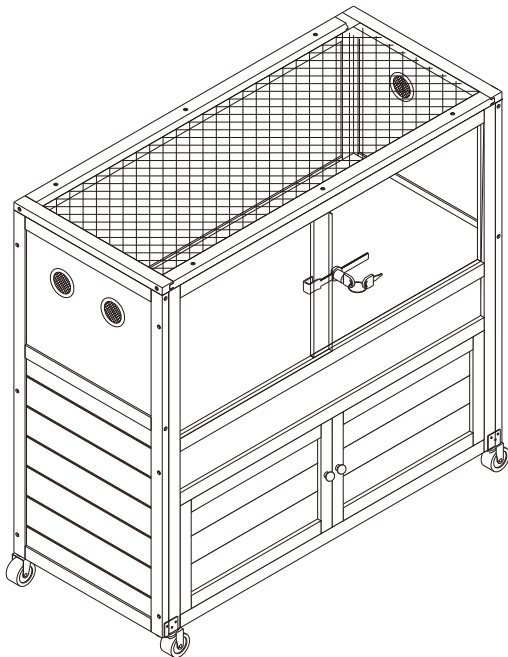
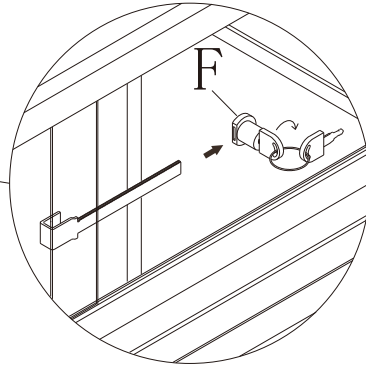
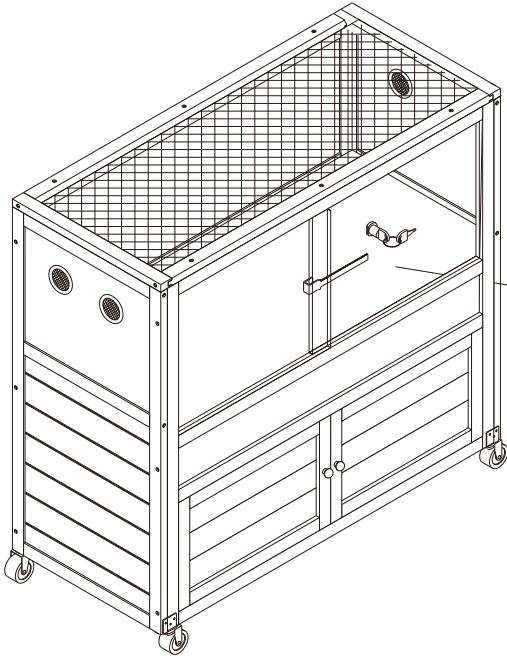
6



A  M4×35mm X6

# Assembly Steps

7



F



X1