

ASSEMBLY INSTRUCTIONS



Fine Furniture for every stage of life

Accent Table

ASSEMBLY INSTRUCTIONS

ASSEMBLY TIPS:

1. Remove hardware from box and sort by size.
2. Please check to see that all hardware and parts are present prior to start of assembly.
3. Please follow attached instruction in the same sequence as numbered to assure fast & easy assembly.



WARNING!

1. Don't attempt to repair or modify parts that are broken or defective. Please contact the store immediately.
2. This product is for home use only and not intended for commercial establishment.



ASSEMBLY TIME

5 MINUTES

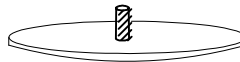
PARTS IDENTIFICATION

A BASE COVER



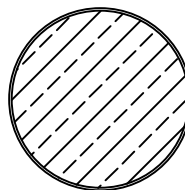
1PC

B BASE



1PC

C TOP



1PC

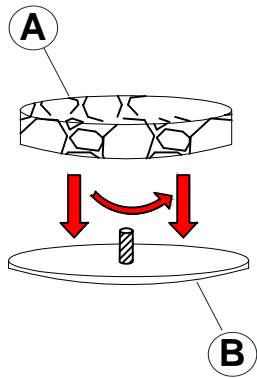
D POST



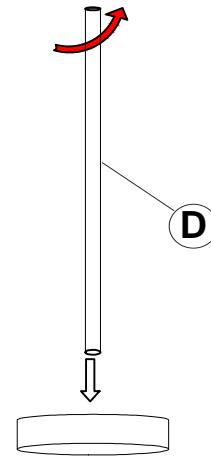
1PC

ASSEMBLY INSTRUCTIONS

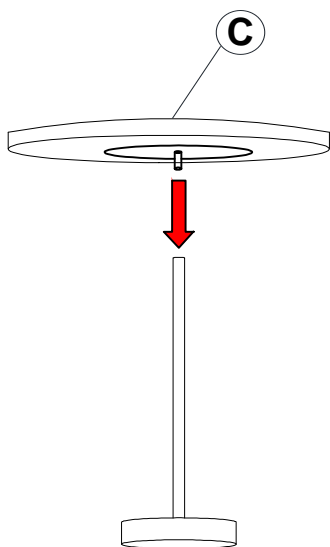
STEP 1



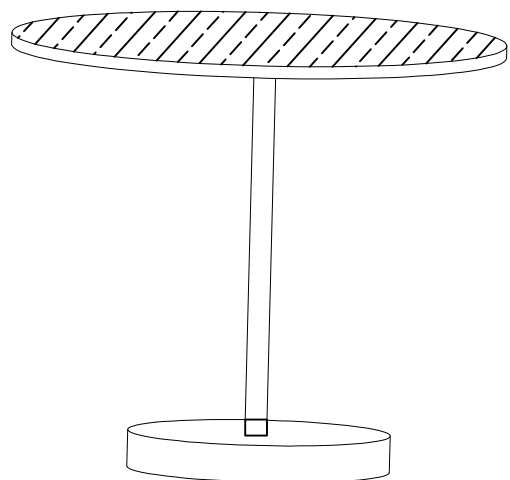
STEP 2

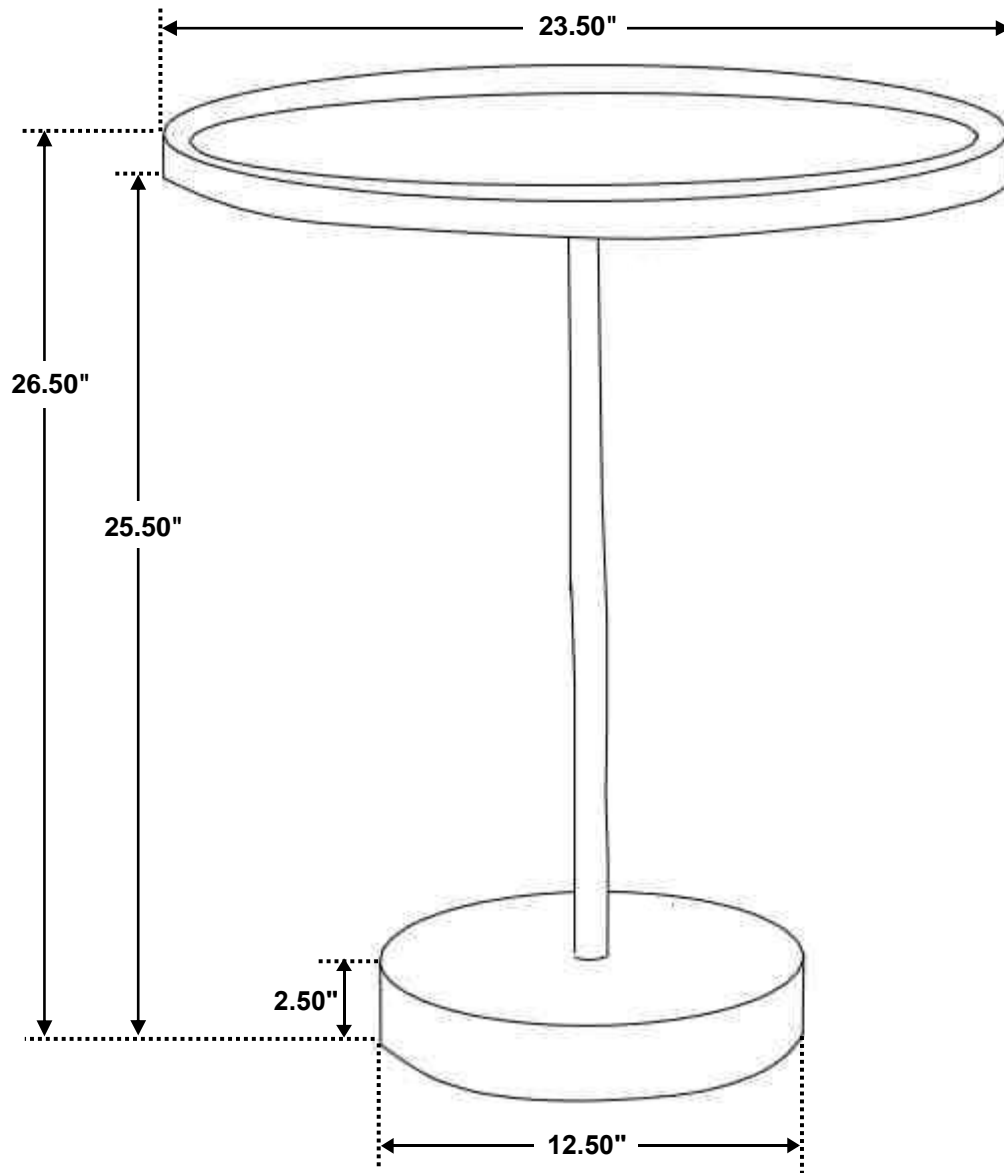


STEP 3



STEP 4 **COMPLETE**





Note : Dimension tolerance $\pm 5\%$