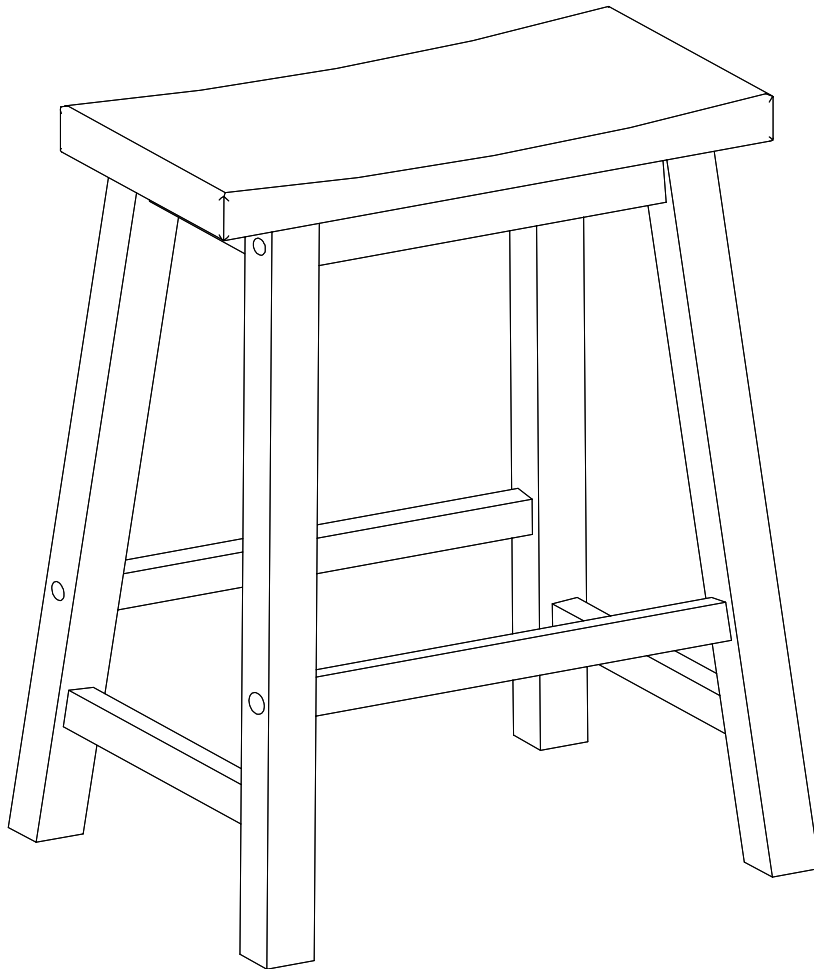


ASSEMBLY INSTRUCTIONS

Thank you for purchasing this quality product. Be sure to check all packing material carefully for small parts which may have come loose inside the carton during shipment. Separate, identify, and count all parts and metal hardware. Compare with parts list and hardware illustrations to be sure all parts are present.

ATTENTION: SOME LETTERED PARTS LISTED ON THE INSTRUCTION SHEET MAY NOT BE IN PARTS BAG AS THEY MAY ALREADY BE ASSEMBLED. CAREFULLY CHECK PARTS AND PACKING MATERIALS PRIOR TO ORDERING REPLACEMENTS.

Tools Required for assembly: Allen wrench(F) Phillips Screwdriver (not included)

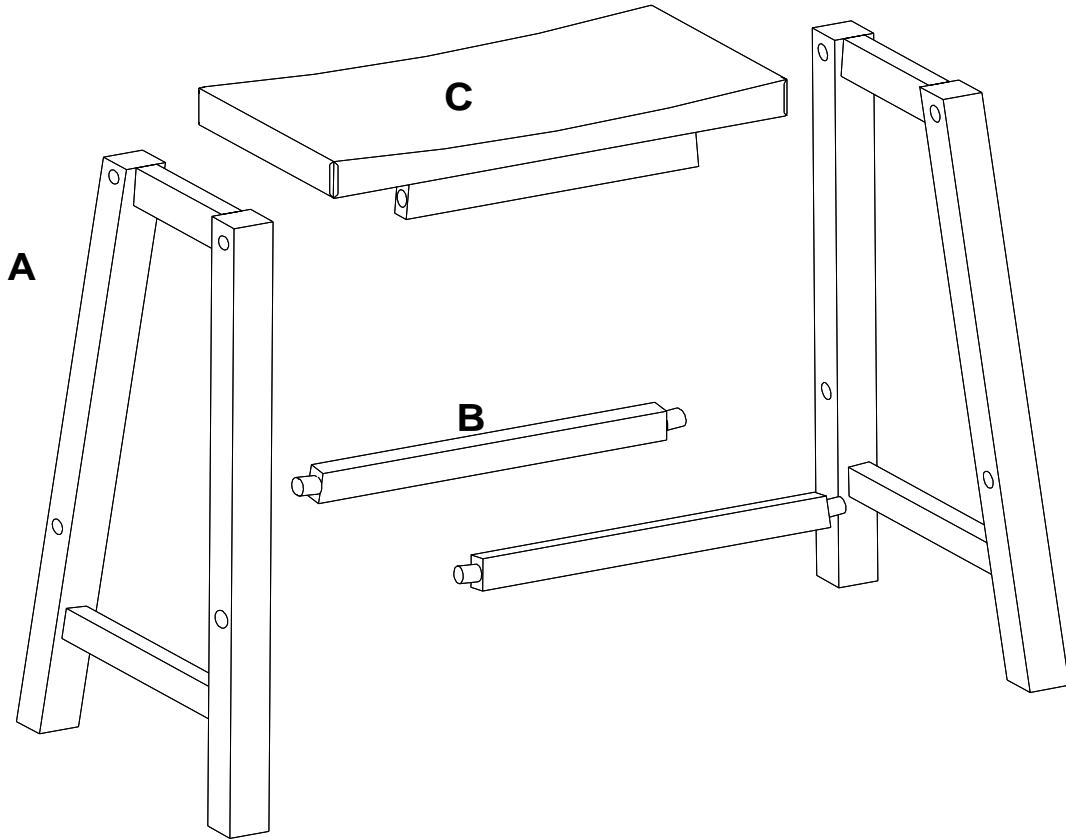


PARTS

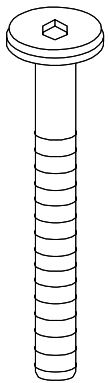
(A) SIDE FRAME(L&R) (2)

(C) TOP PANEL

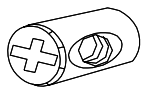
(B) STRETCHER LEGS (2)



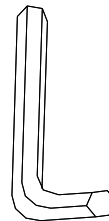
HARDWARE



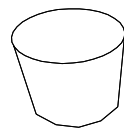
**D
(8PCS)**



**E
(8PCS)**

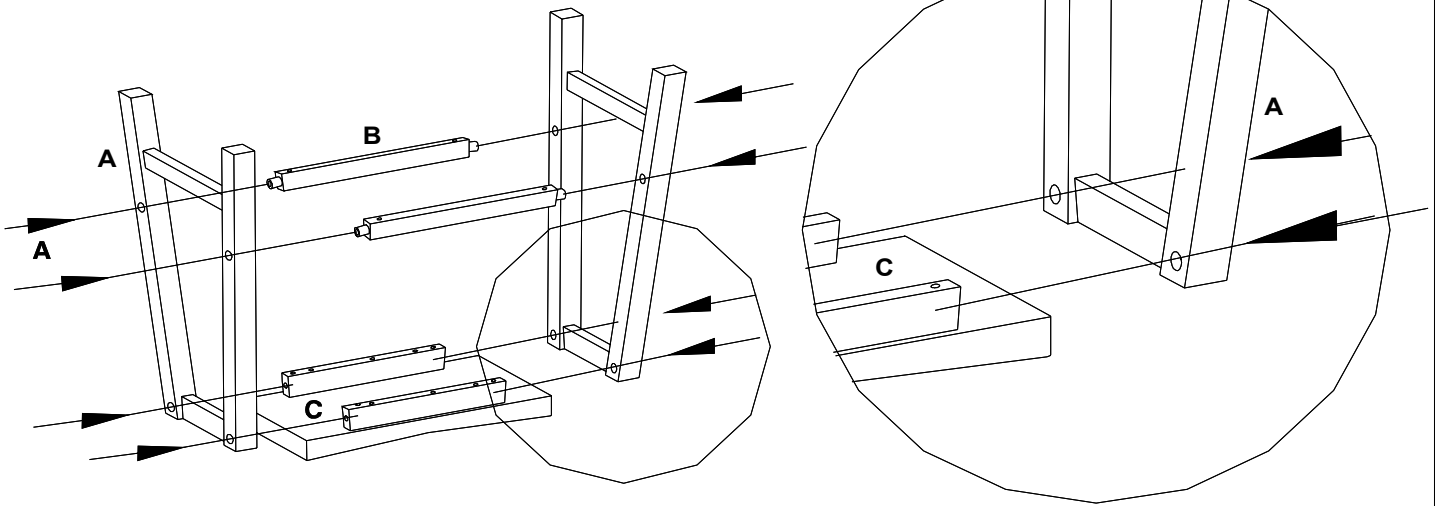


**F
(1PCS)**

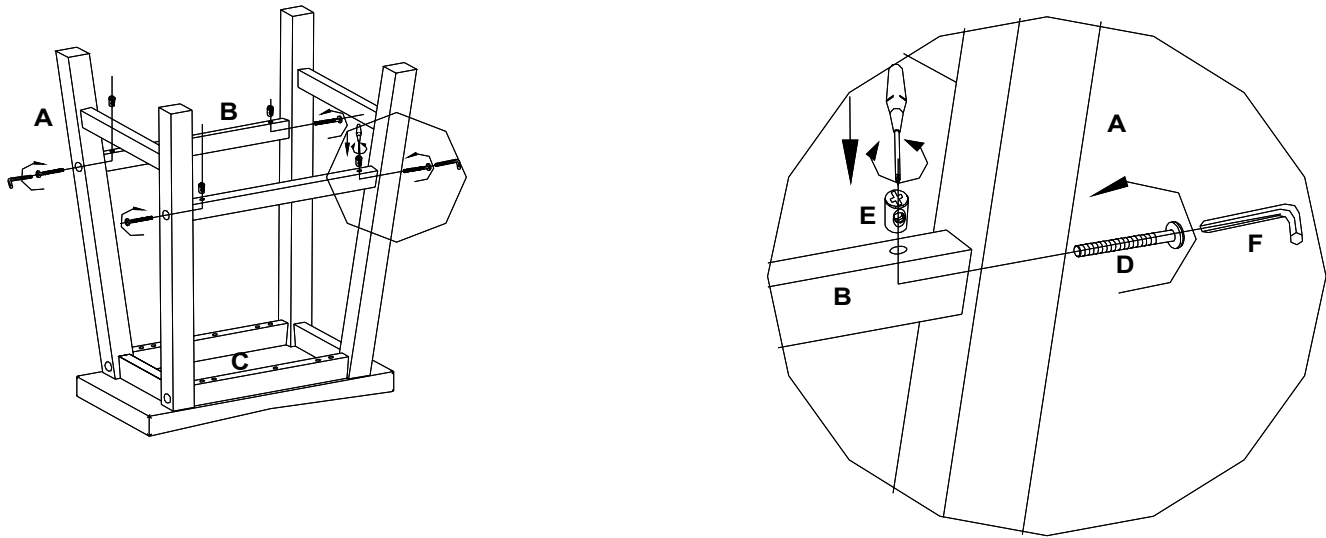


**G
(8PCS)**

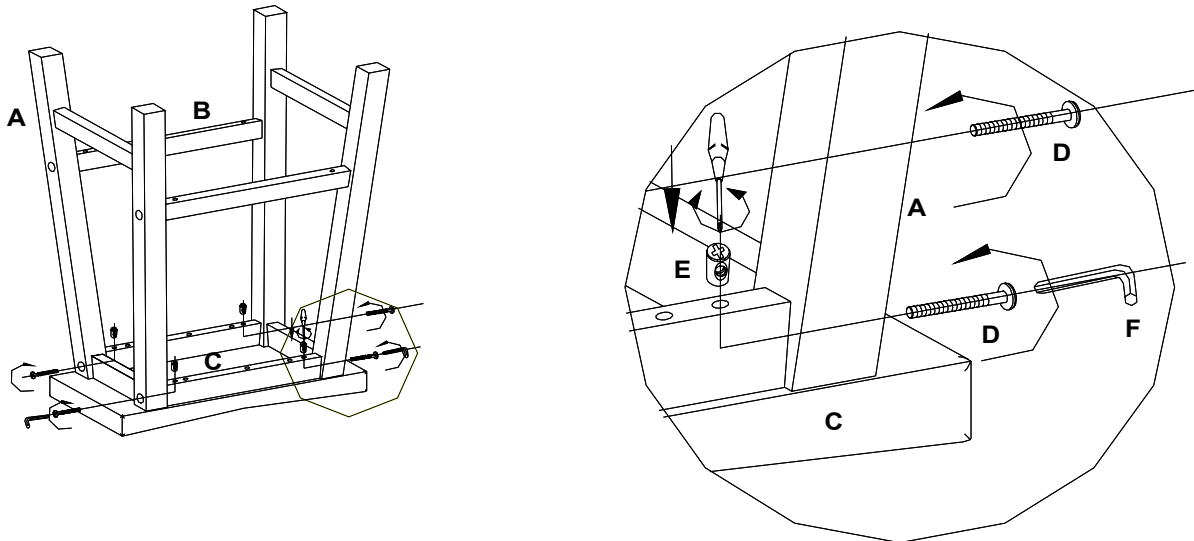
STEP 1



STEP 2



STEP 3



STEP 4

