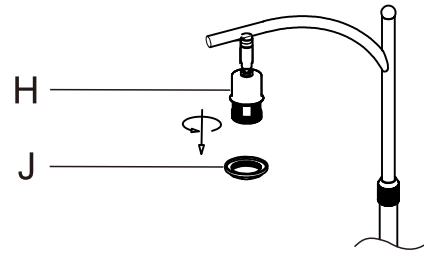


2. Install Shade

Step 1: Remove the socket ring (J) from the socket (H) .



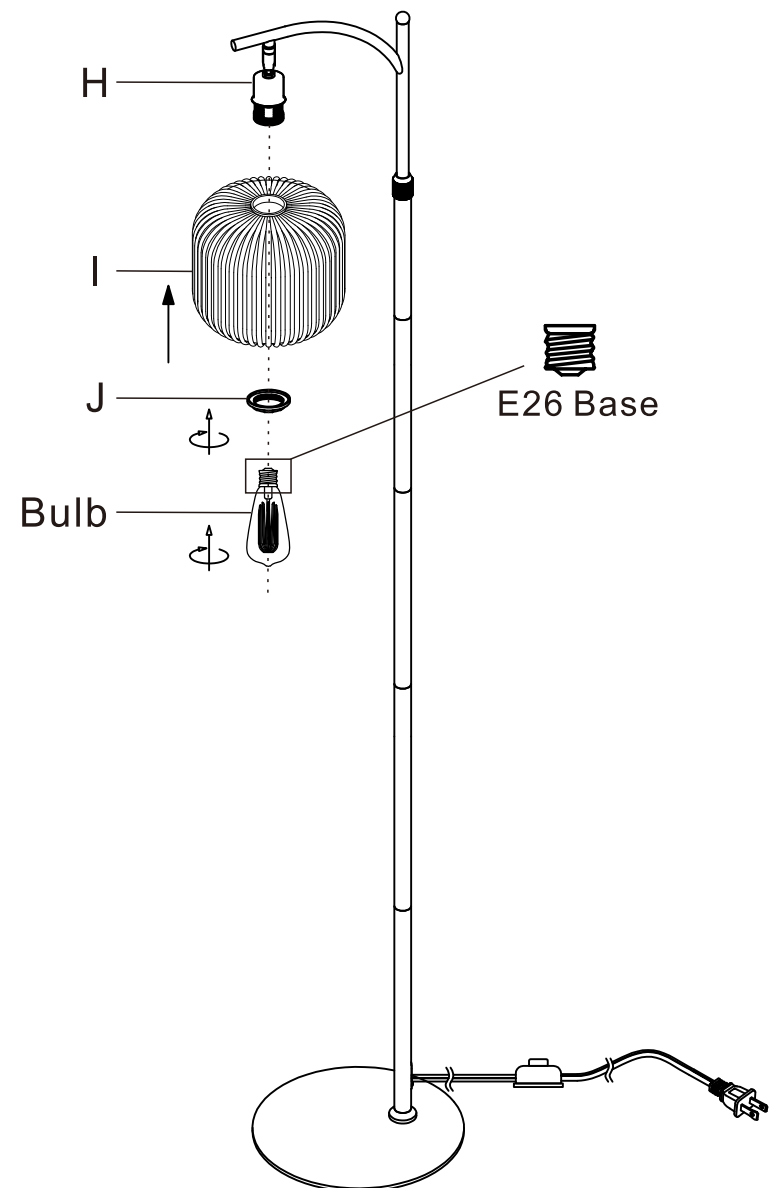
Step 2: Attach the lampshade (I) to the socket (H) . Secure them with the socket ring (J) .

Step 3: Install the E26 bulb (Max 60W, not included) .

NOTE:

Please check that lampshade towards the same direction as base. If not, you could adjust the base so that the direction is consistent.

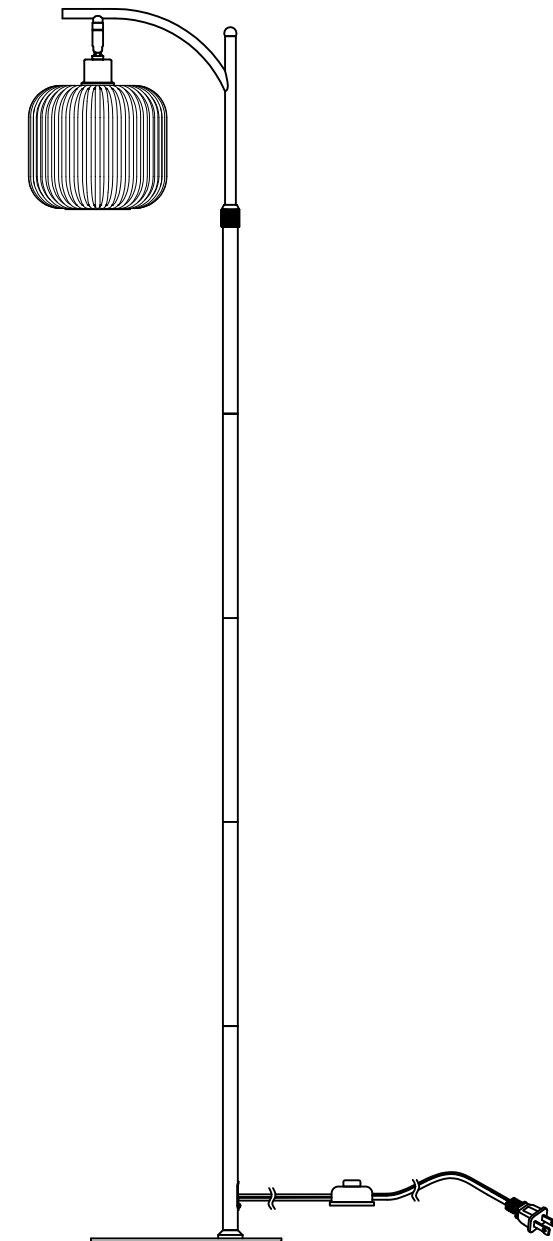
The illustrated bulb is recommended and compatible alternatives may be selected as needed.



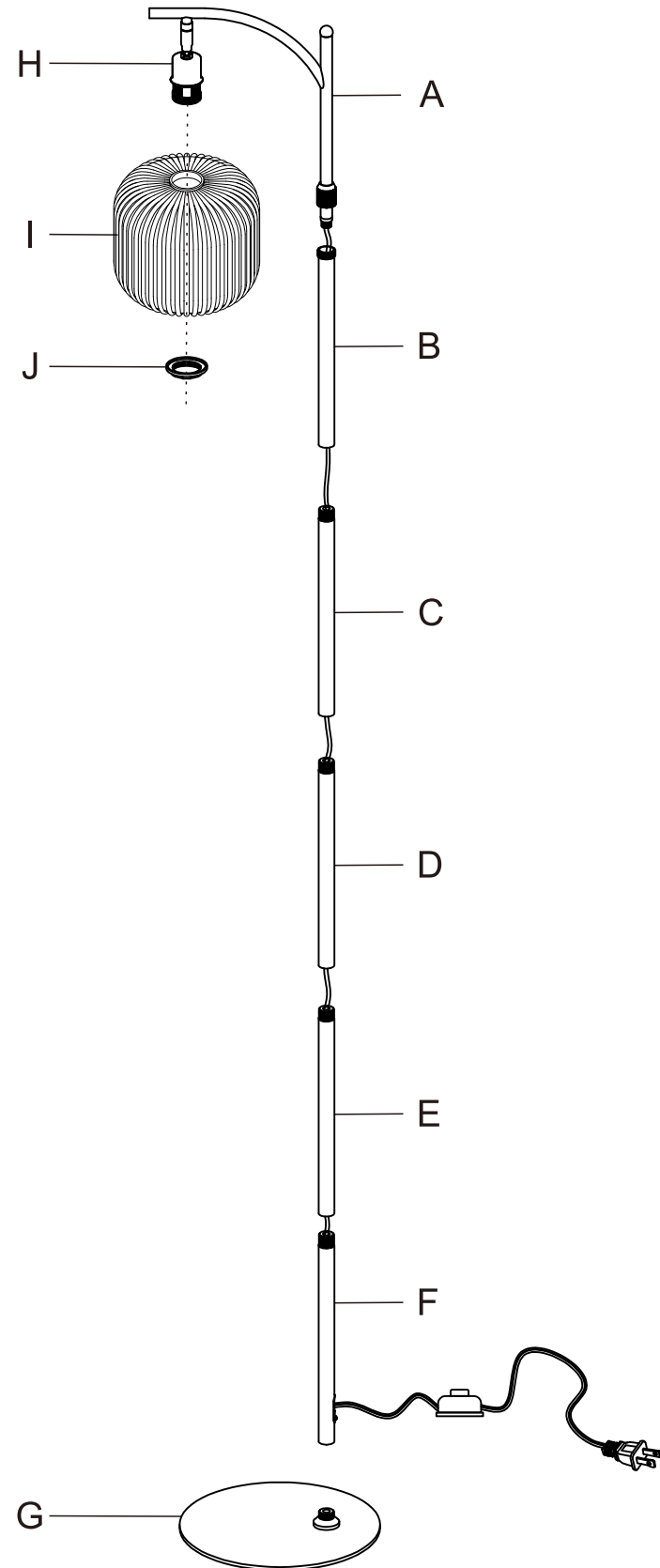
INSTALLATION MANUAL

FLOOR LAMP

Model No.: OLDF001G-GR



PACKING LIST



NOTE:

1. Socket ring (J) has already been pre-installed with socket (H).

INSTALLATION

1. Install Tube And Base

Step 1: Please take out all of the parts from the package.

Step 2: Please install the tube and base in the following order A-B-C-D-E-F-G.

