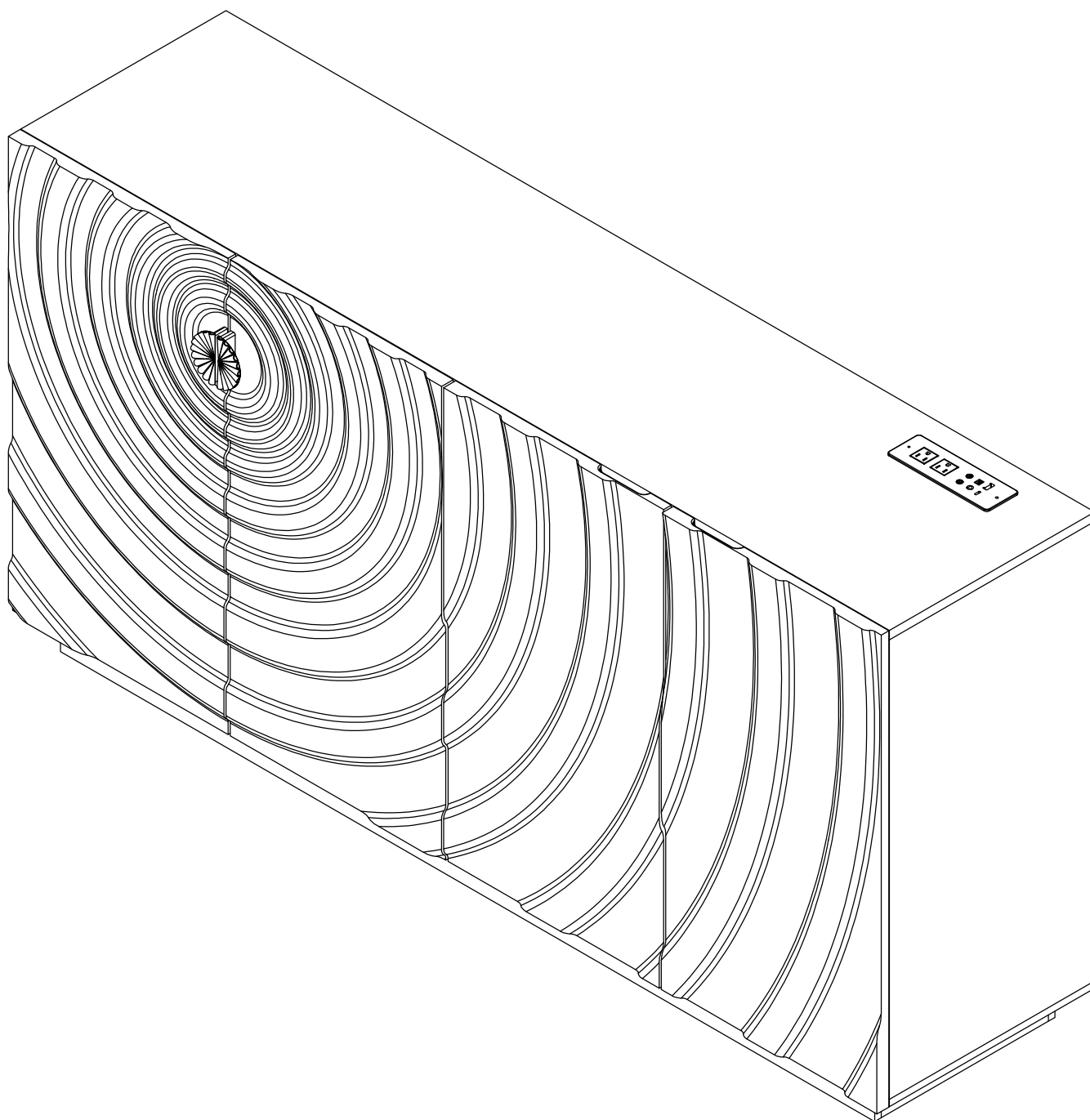
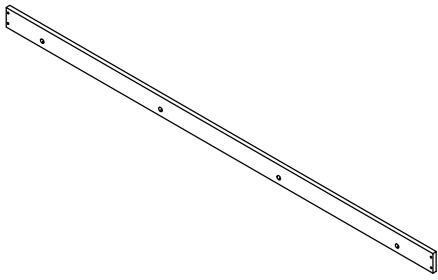
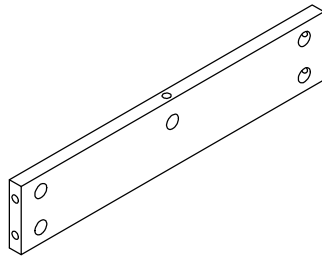


97136 Product Installation Instructions

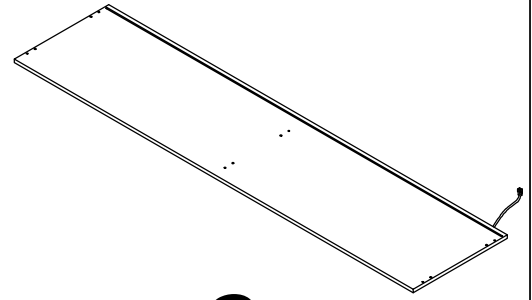




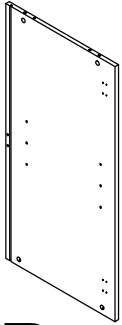
A x2



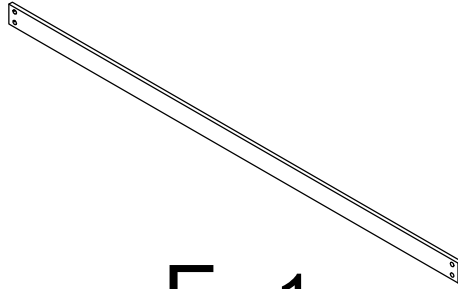
B x2



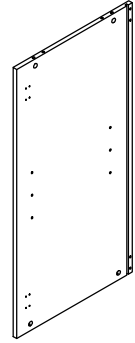
C x1



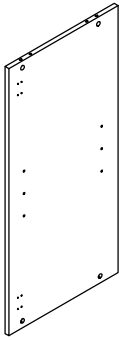
D x1



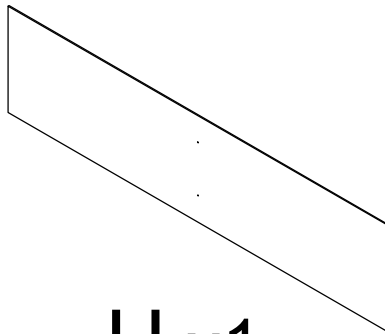
E x1



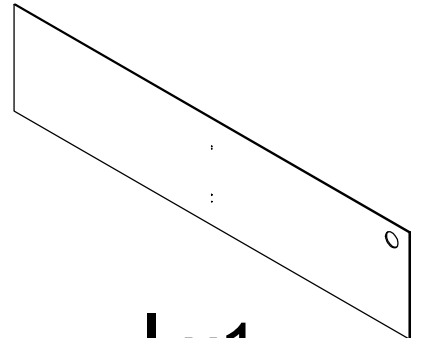
F x1



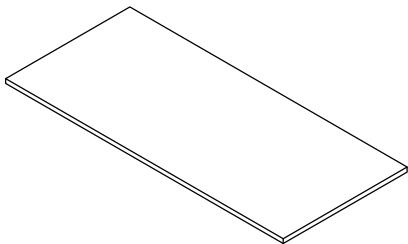
G x1



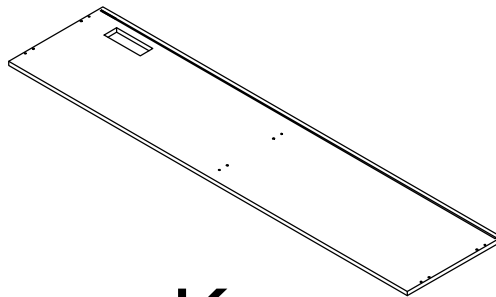
H x1



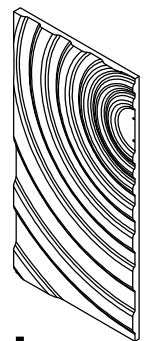
I x1



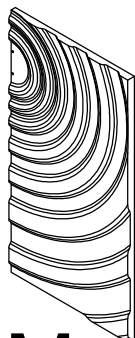
J x2



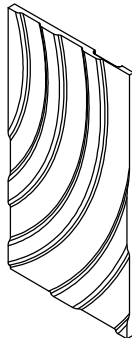
K x1



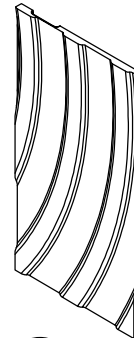
L x1



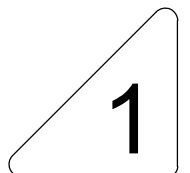
M x1



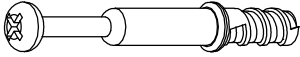


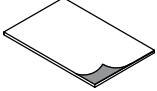
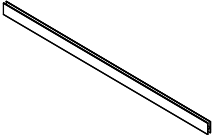
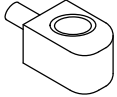
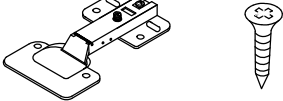
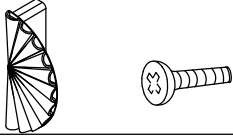
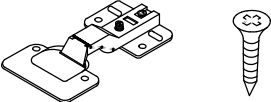
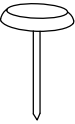
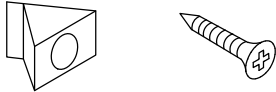
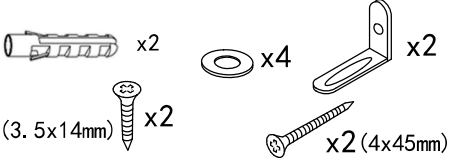
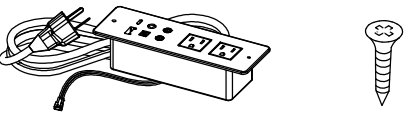
N x1

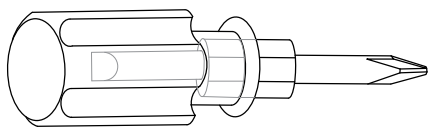


O x1

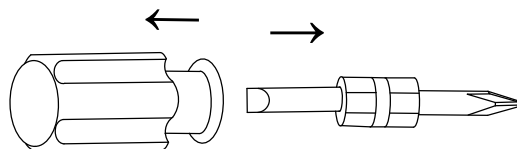


1

①		Two In One Screw (6x28mm)	34pcs +4pcs
②		Two In One Nut (10x12mm)	34pcs +4pcs
③		Wood Chipping (6x30mm)	12pcs +2pcs
④		Non-slip pads (50x10mm)	8pcs +2pcs
⑤		Backboard card strip (1570mm)	1pcs
⑥		Laminate Support Nail	8pcs +2pcs
⑦		Hinge & Screw (3.5x12mm)	24pcs +3pcs 4pcs
⑧		Handle & Screw (4x25mm)	4pcs +2pcs 2pcs
⑨		Hinge & Screw (3.5x12mm)	24pcs +3pcs 4pcs
⑩		Foot nail	4pcs +1pcs
⑪		Fixing clip & screw (3x16mm)	16pcs +2pcs
⑫		Anti Fall Hardware	1pcs
		Socket (3x10mm)	2pcs +1pcs 1pcs



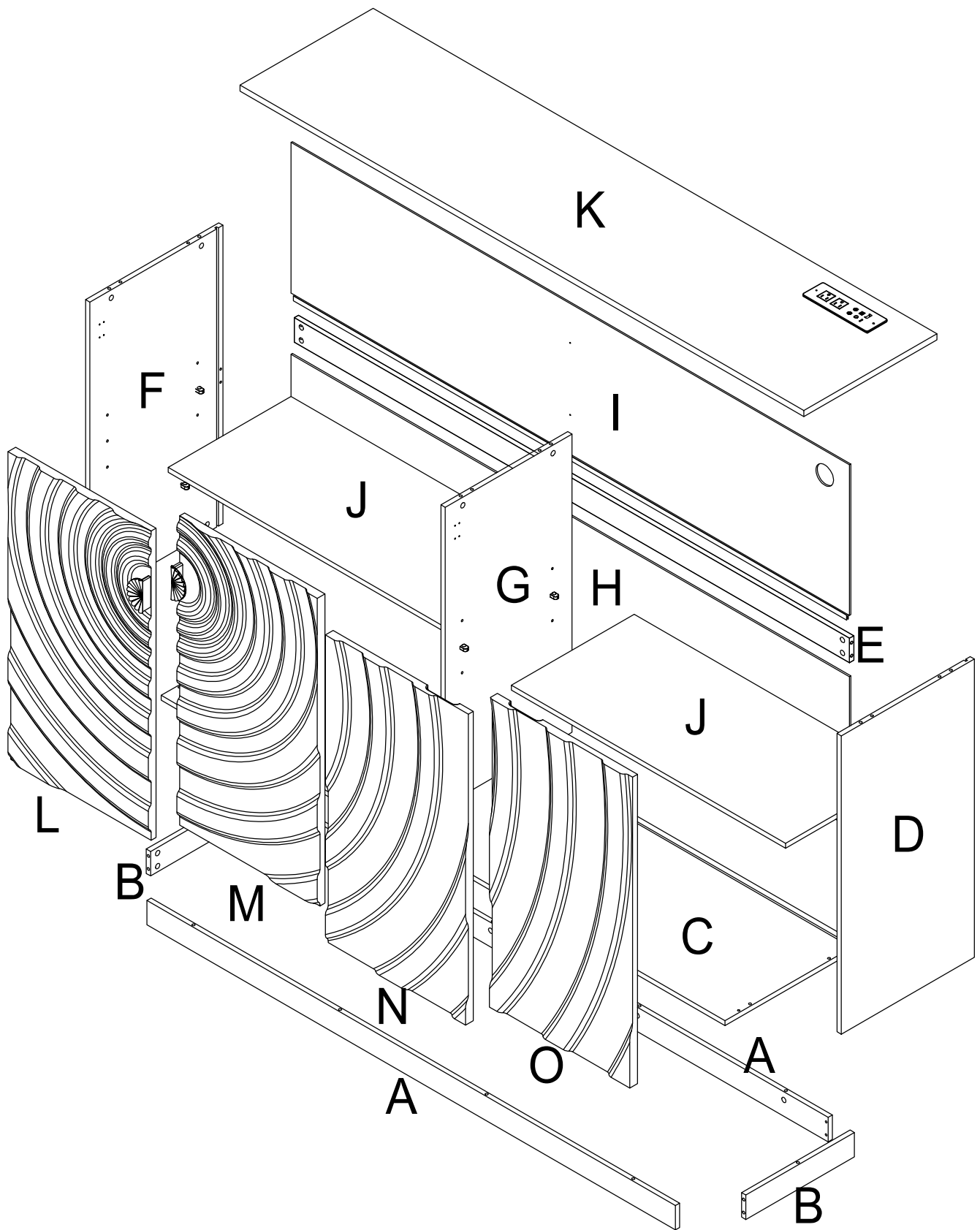
1pcs



Double-head screwdriver, use as required

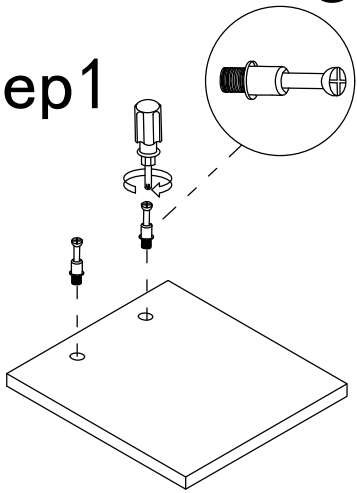


Product structure decomposition

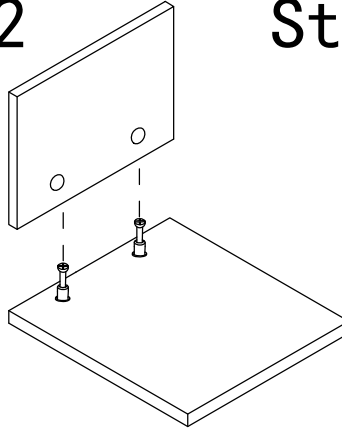


Use parts ① and ②

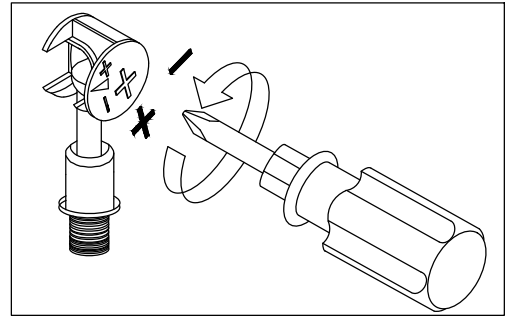
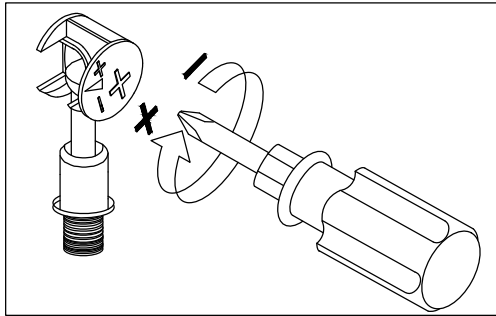
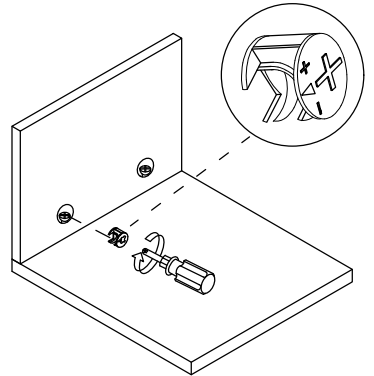
Step1



Step2



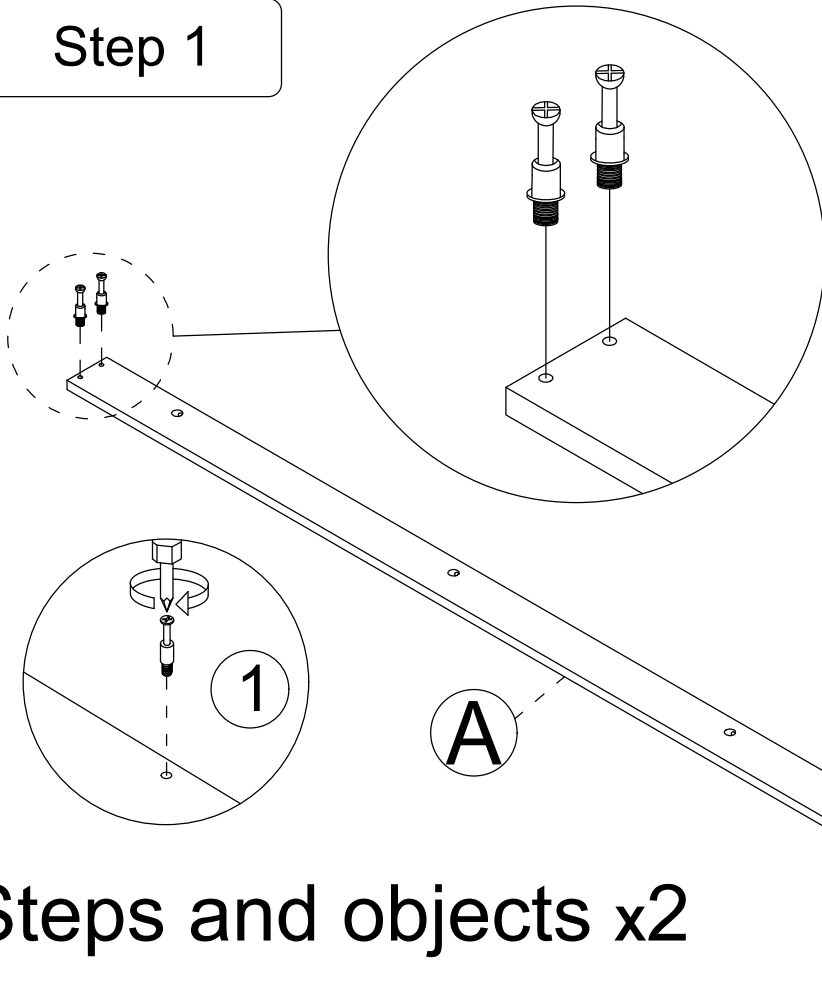
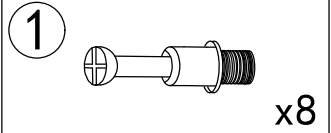
Step3



Use a screwdriver to lock in the direction of the "+" sign

Disassemble along the direction of "-" sign


Step 1

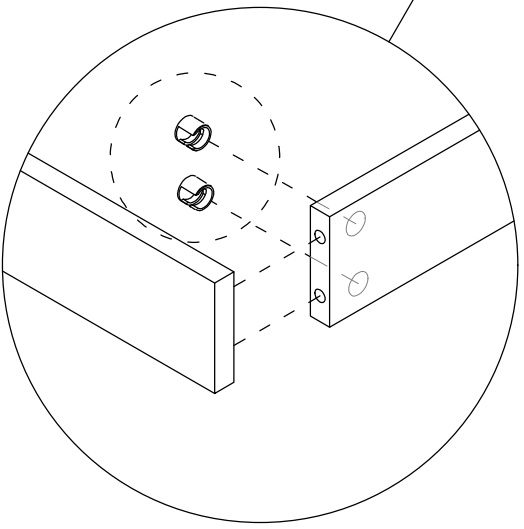
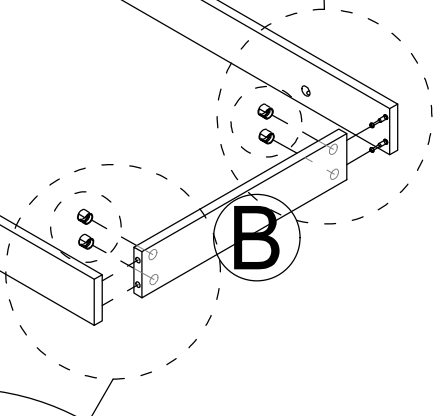
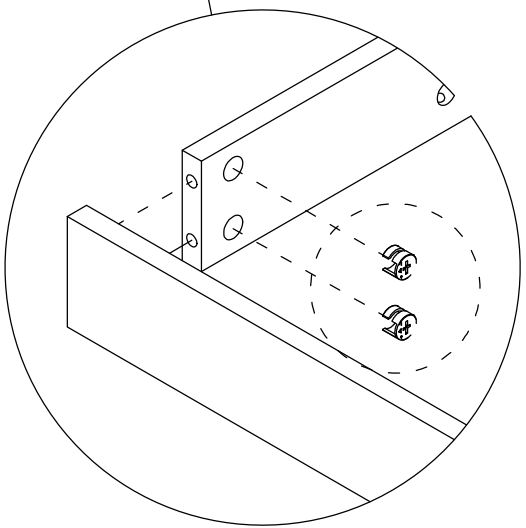
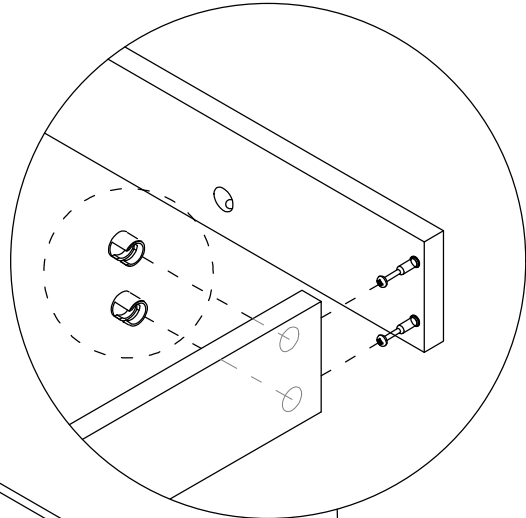
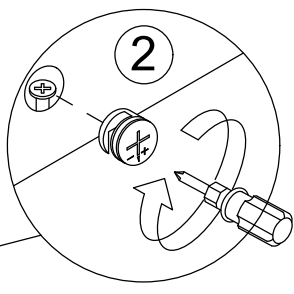
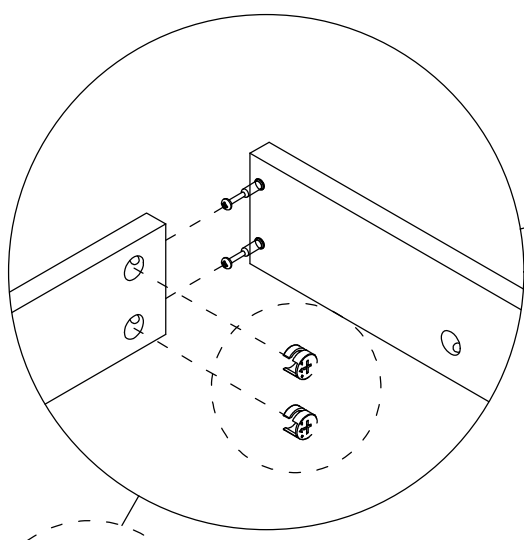
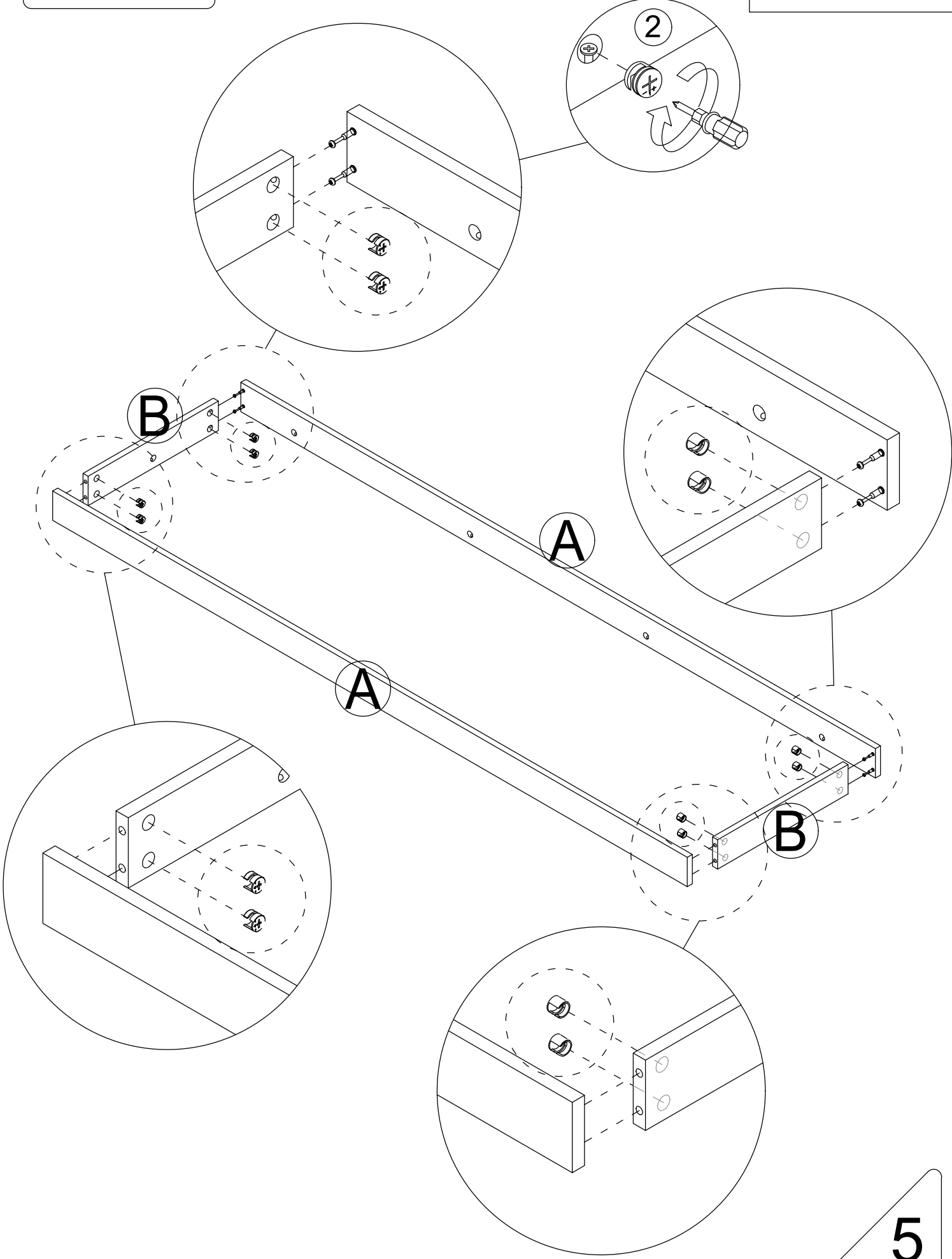


Steps and objects x2

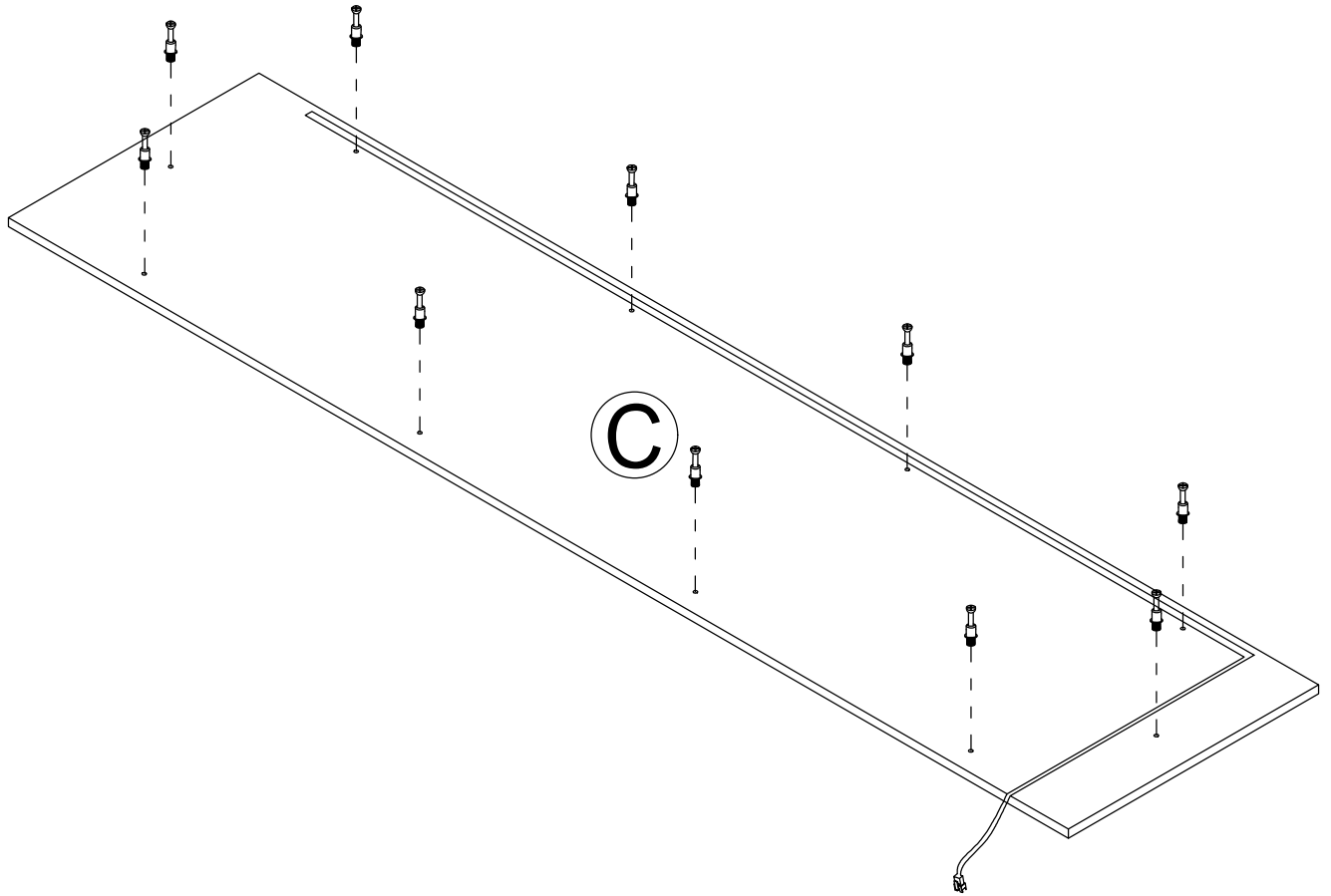
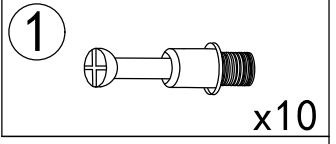
4

Step 2

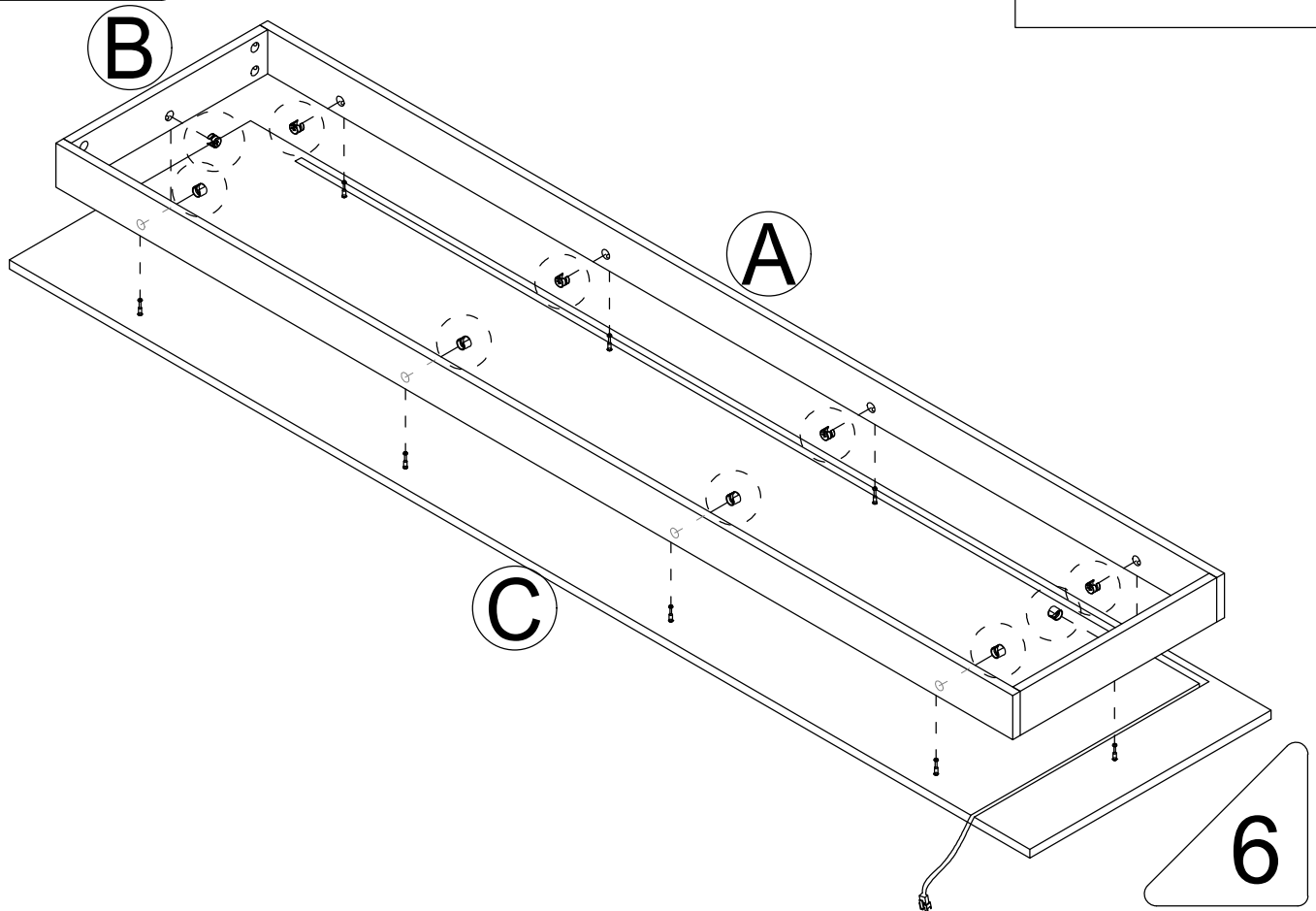
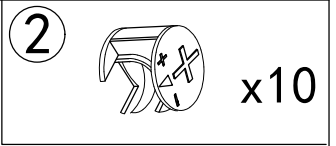
2  x8



Step 3

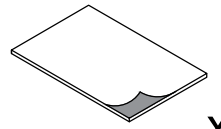


Step 4

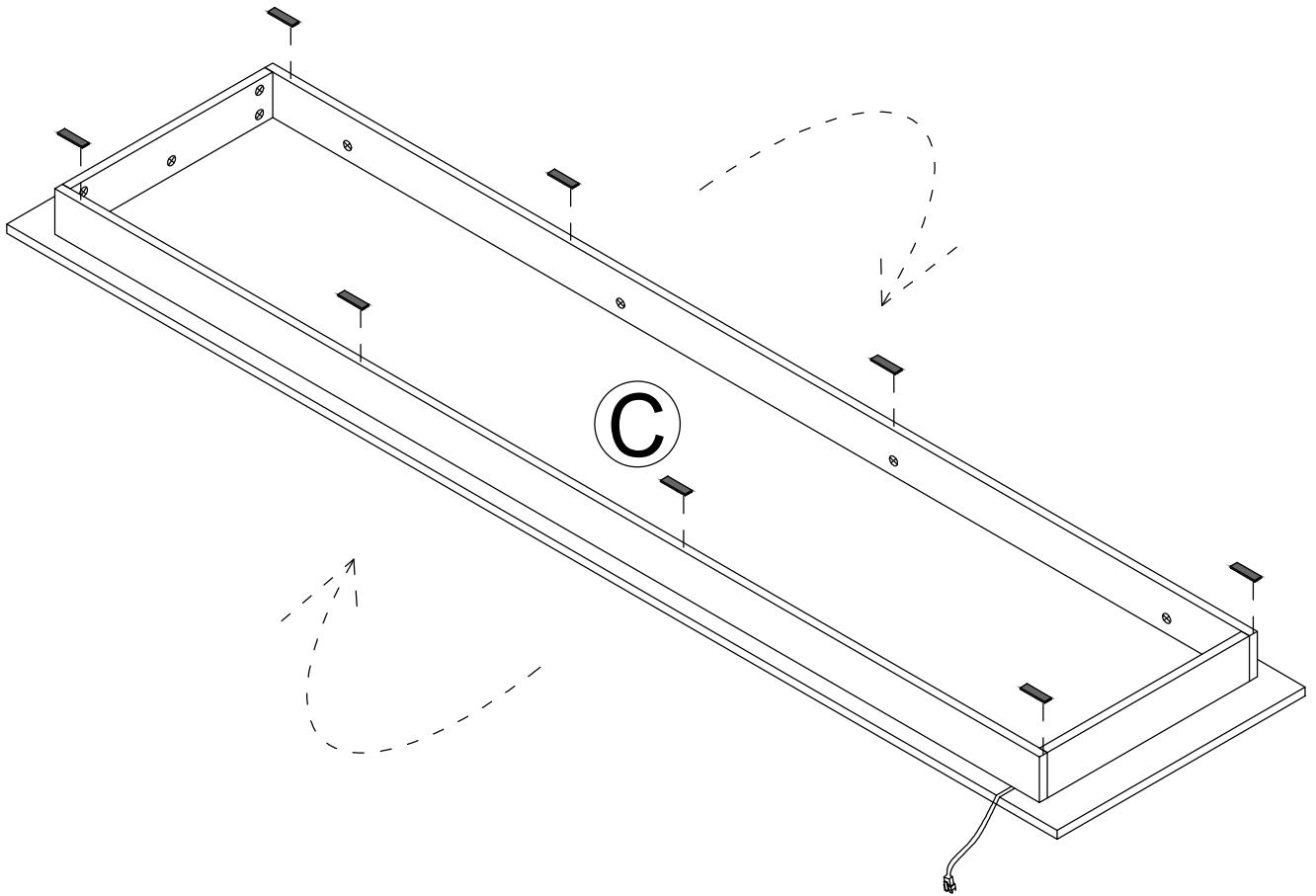


Step 5

4



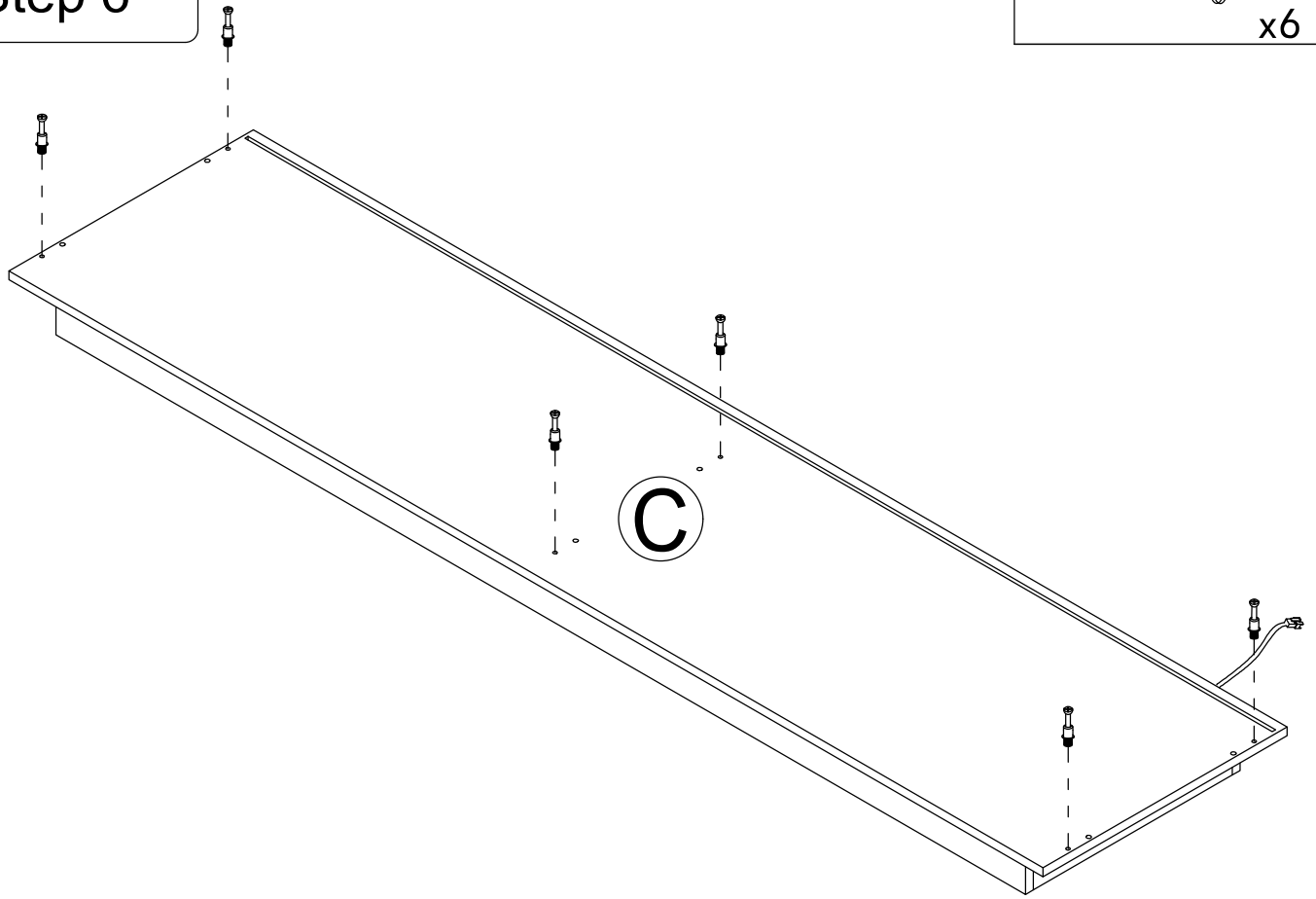
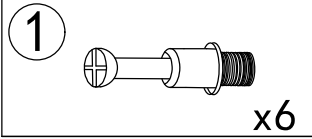
x8



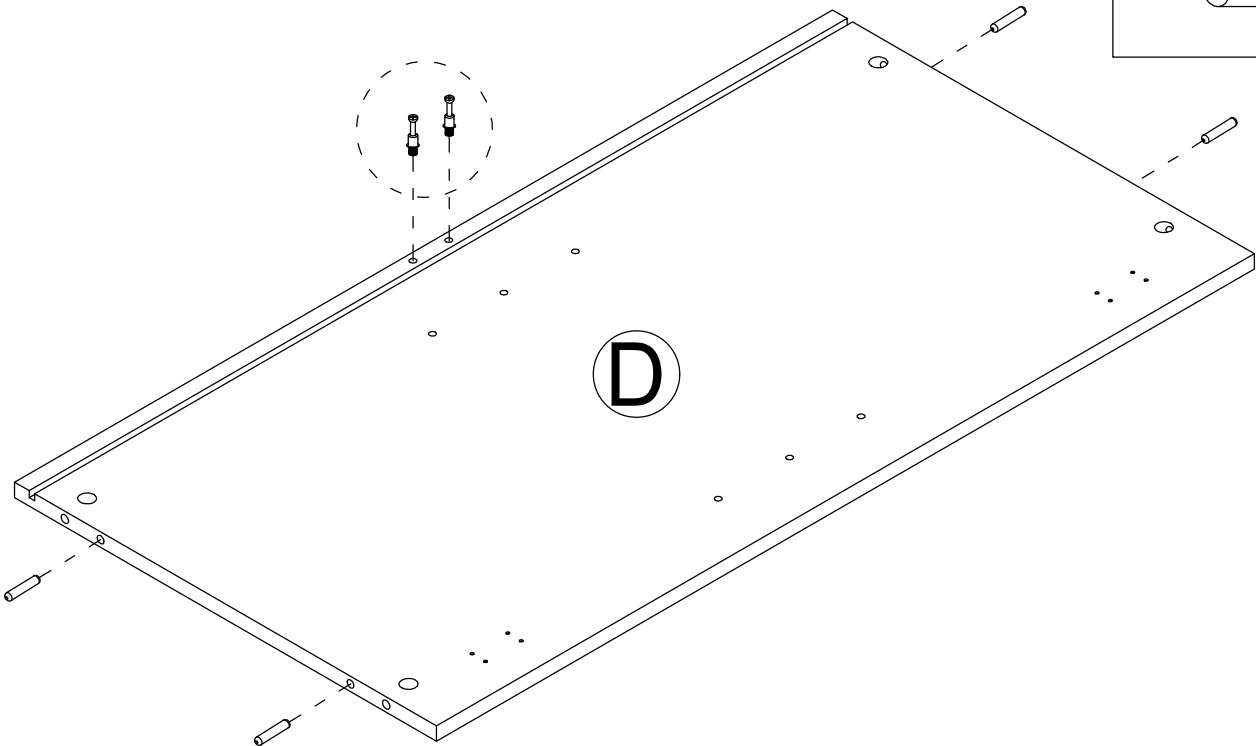
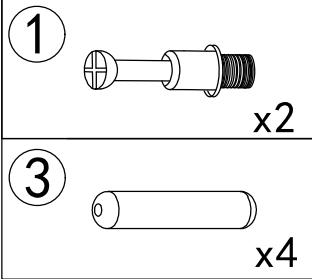
Tear off release paper and stick the black foot pad on the board

7

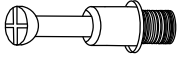
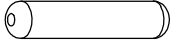
Step 6

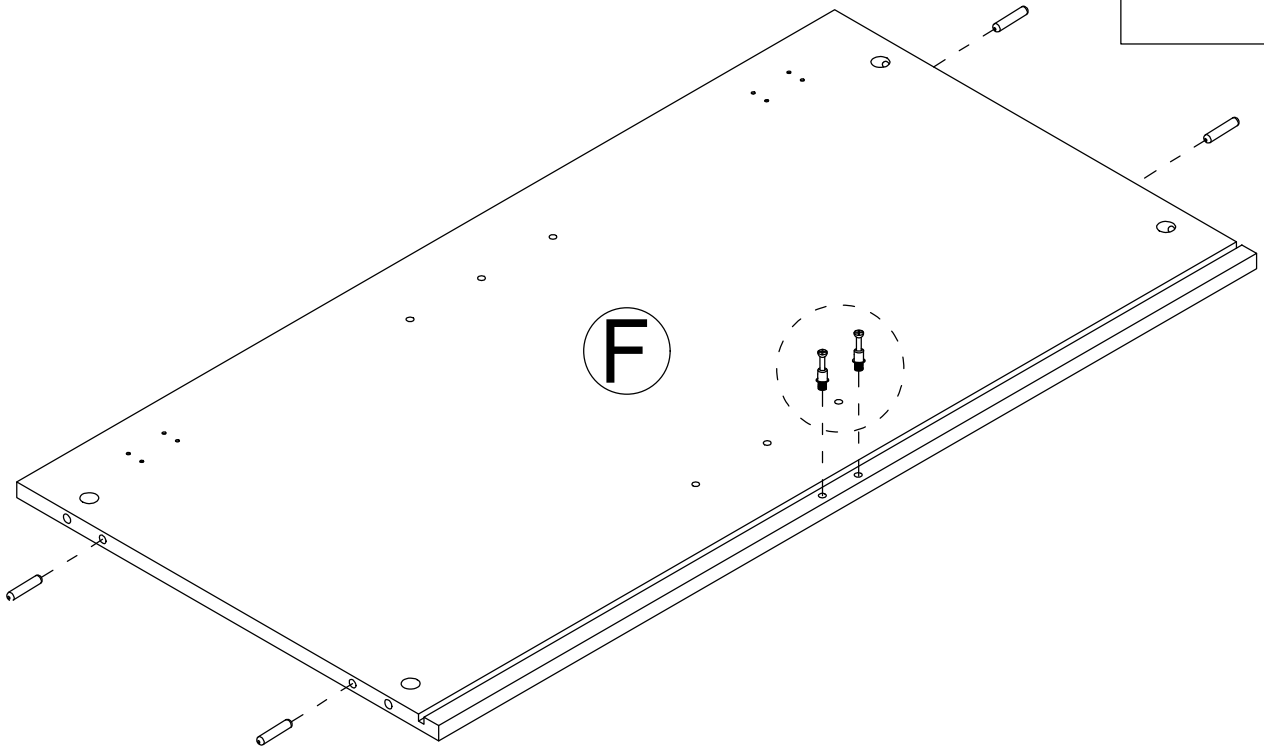


Step 7




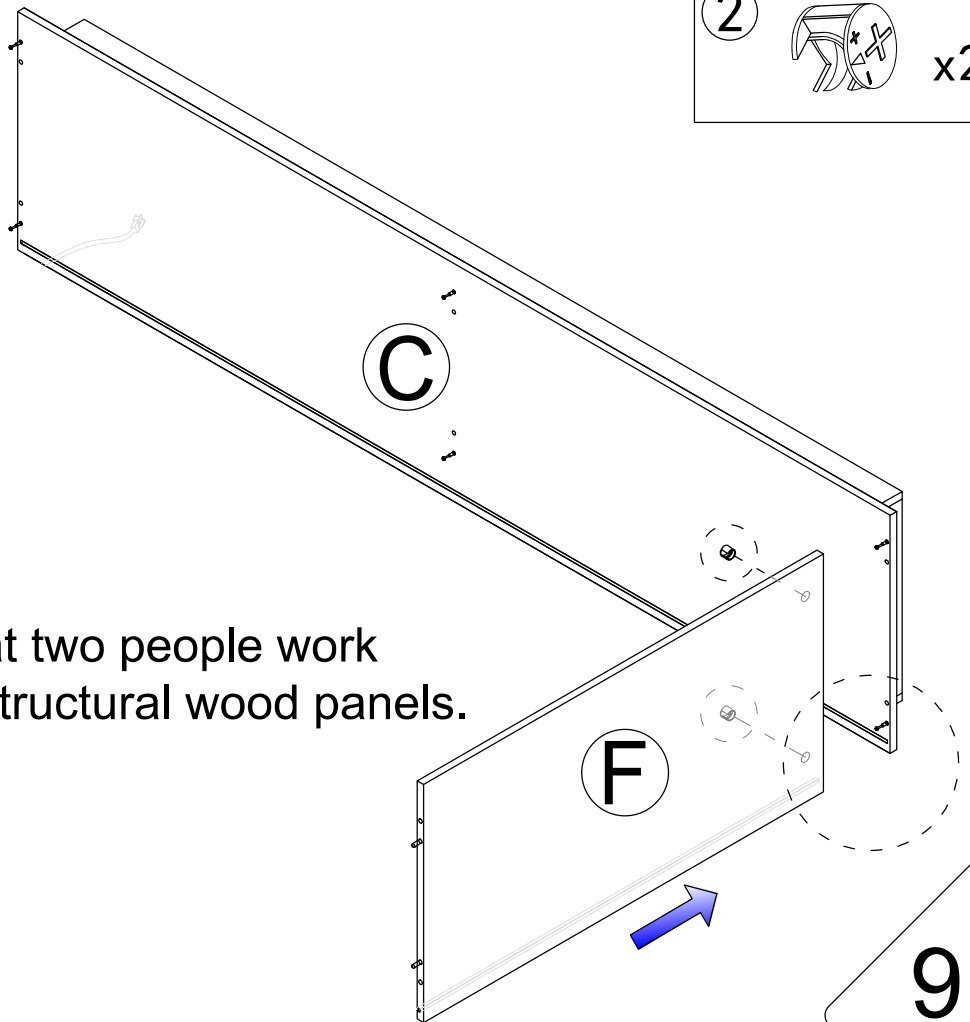
Step 8

- ①  x2
- ③  x4



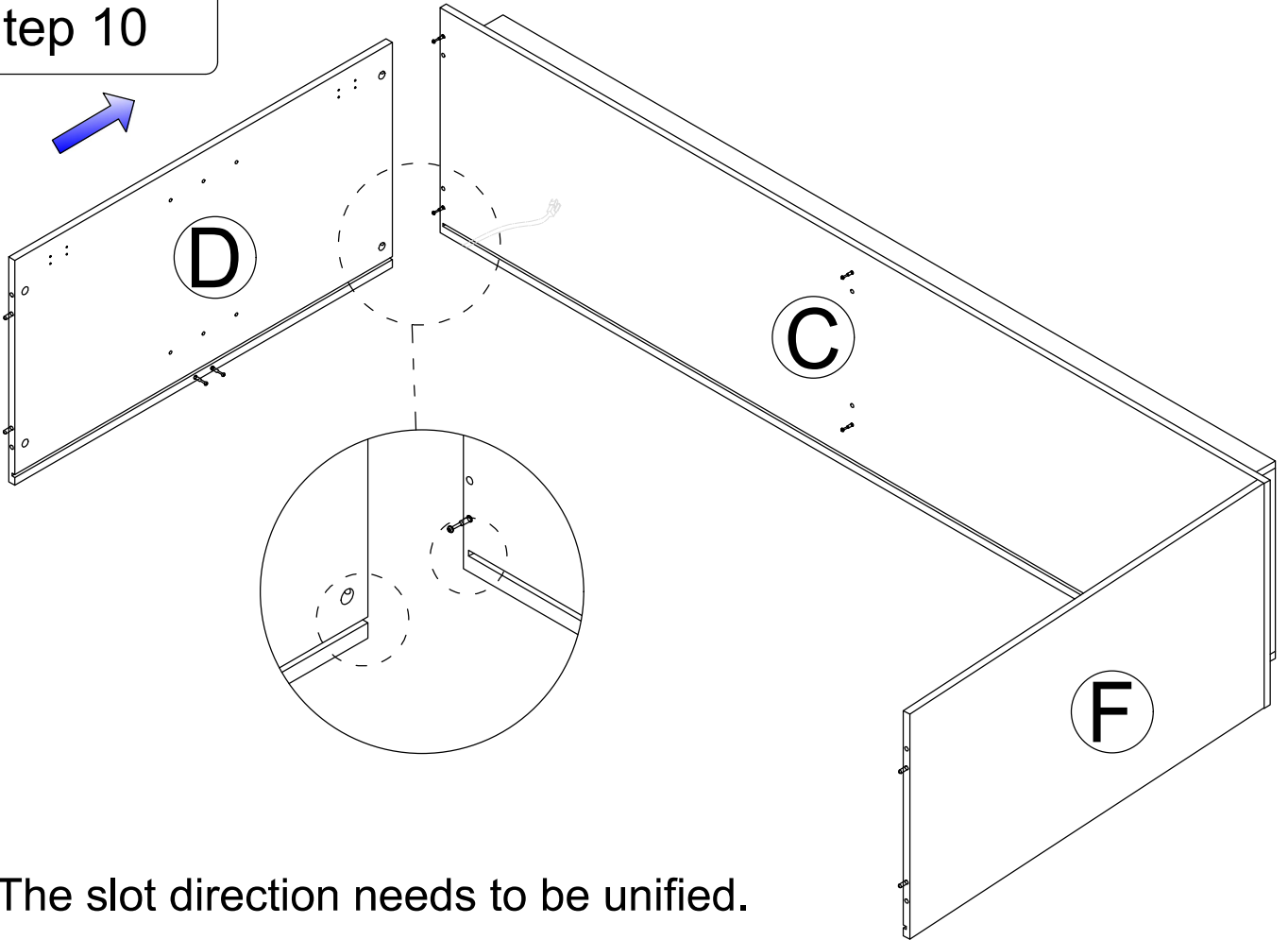
Step 9

- ②  x2



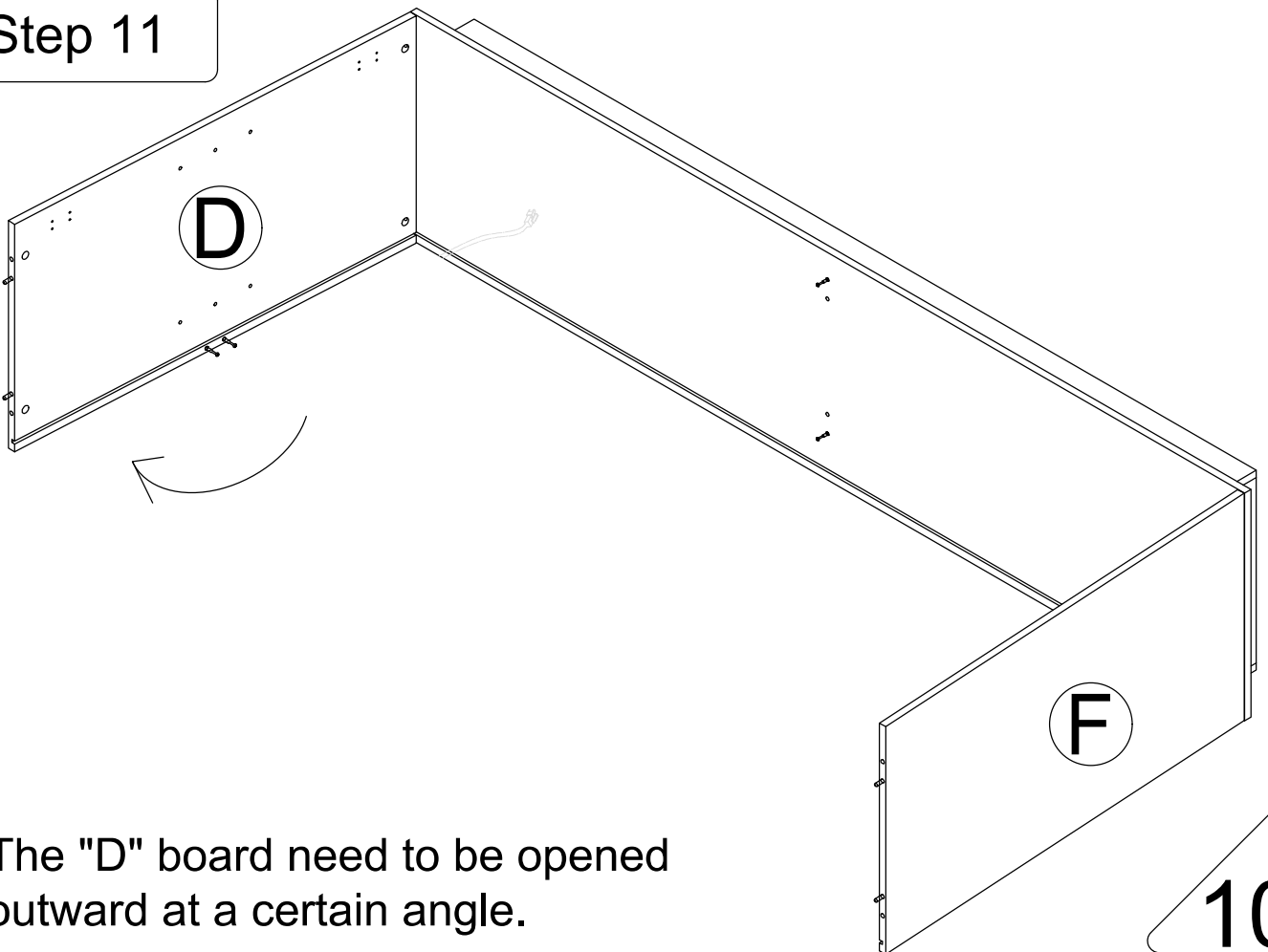
It is recommended that two people work together to install the structural wood panels.

Step 10



The slot direction needs to be unified.

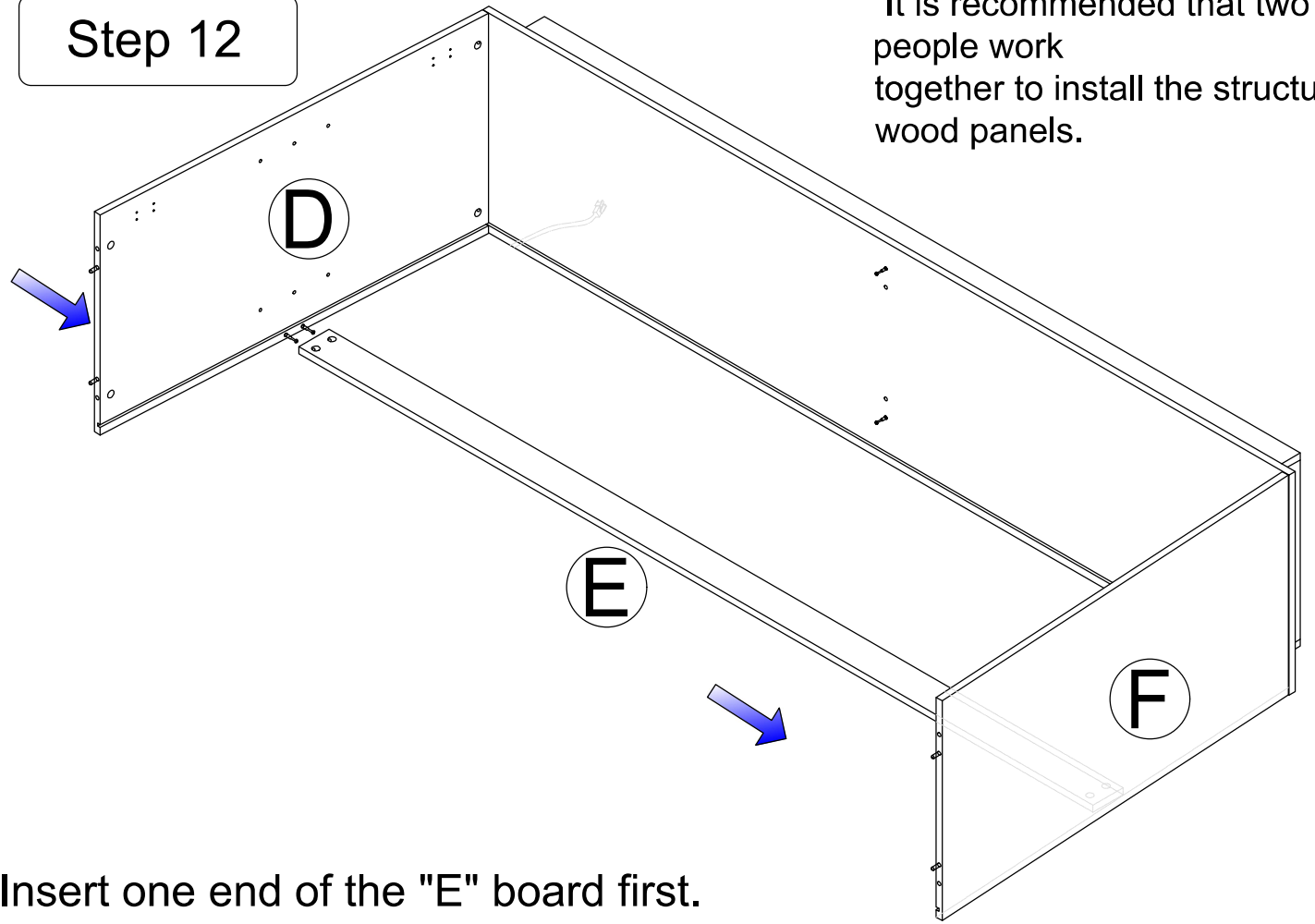
Step 11



The "D" board need to be opened outward at a certain angle.


Step 12

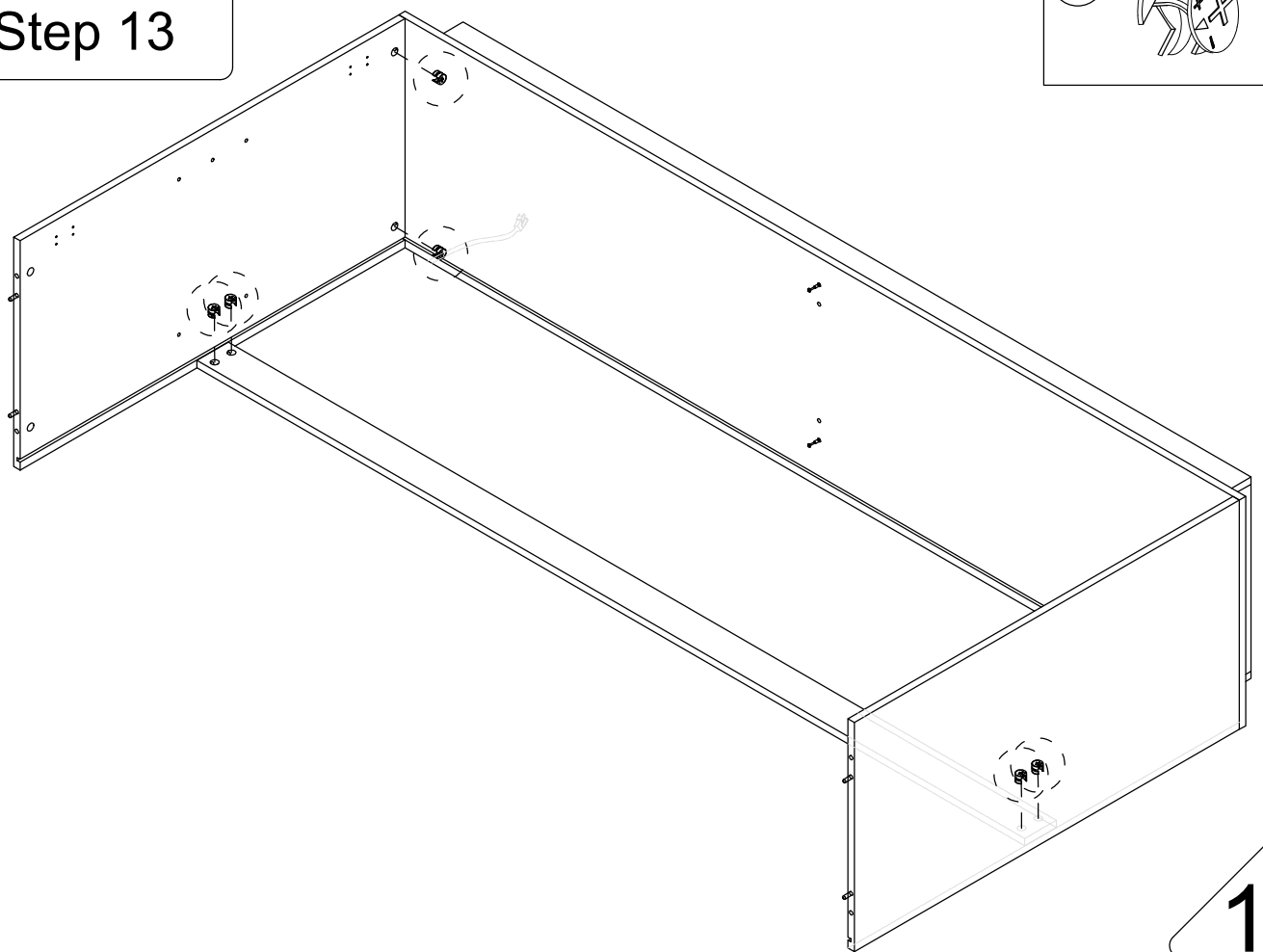
It is recommended that two people work together to install the structural wood panels.



Insert one end of the "E" board first.

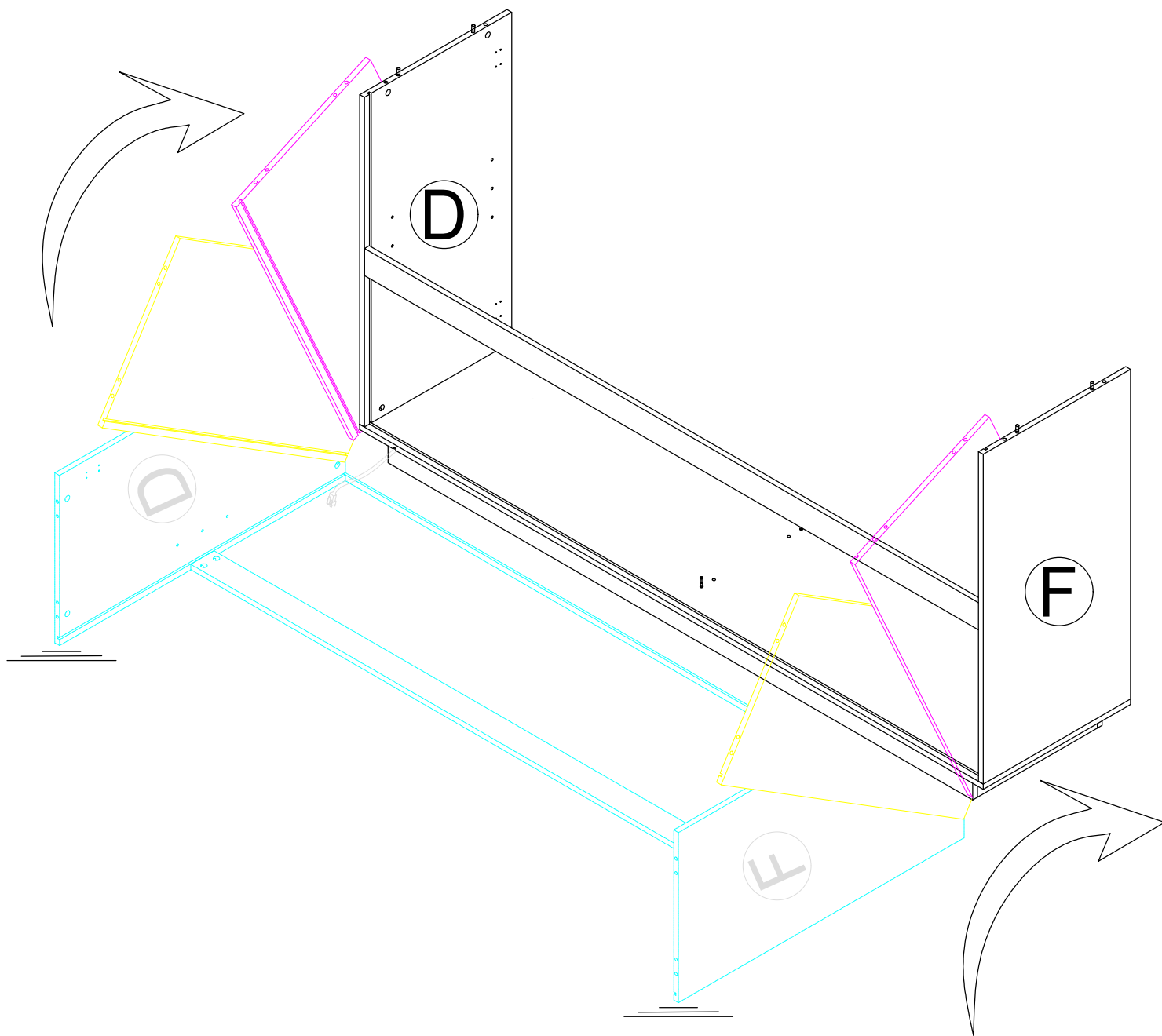
Step 13

2  x6



Step 14

This step need two people to operate and hold on it together

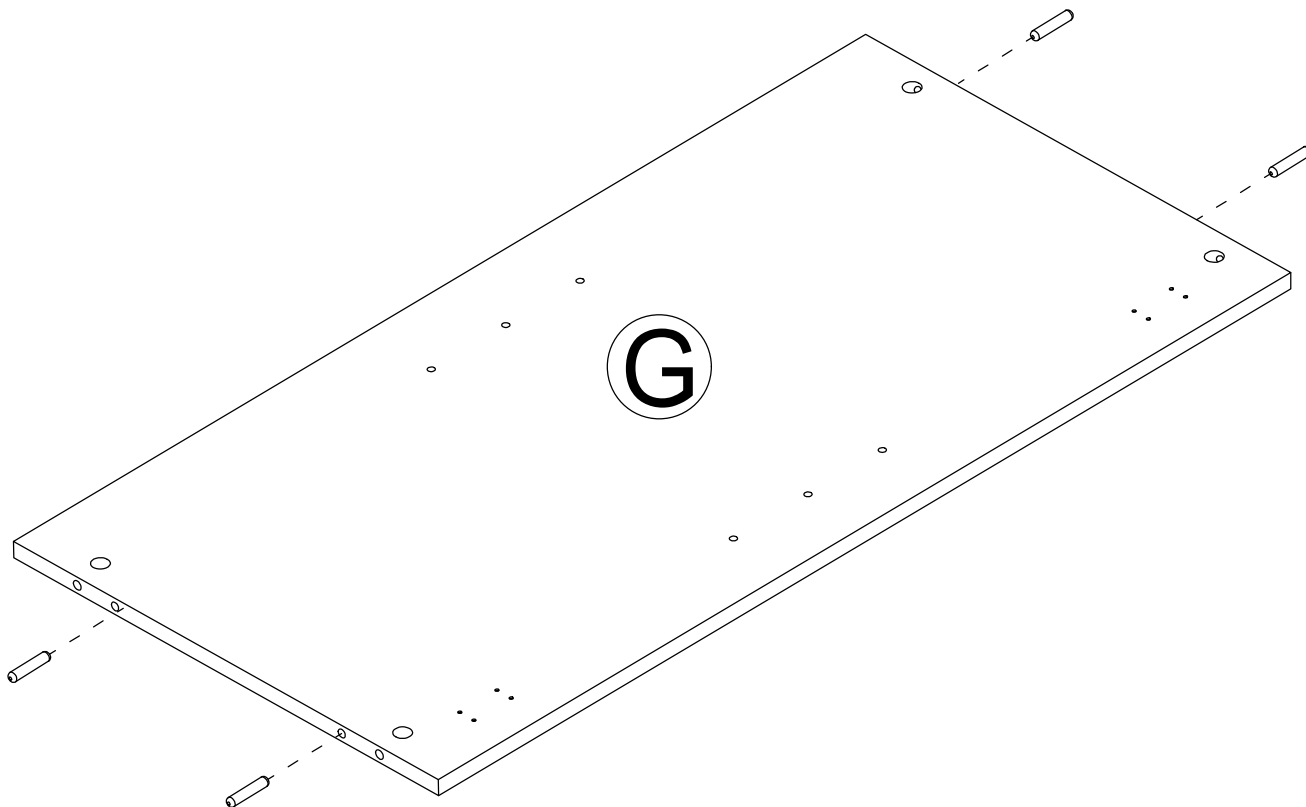


Step 15

3



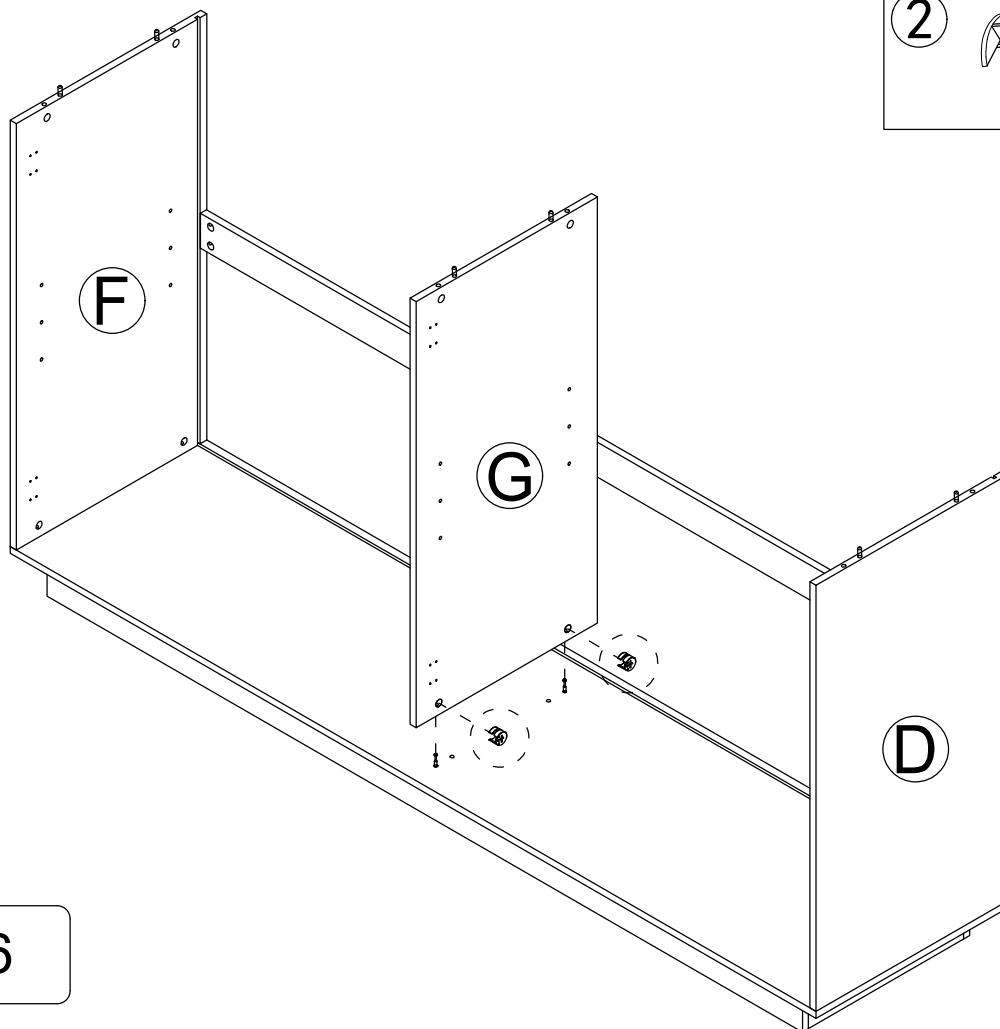
x4



2



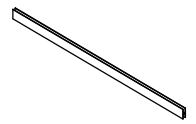
x2



Step 16

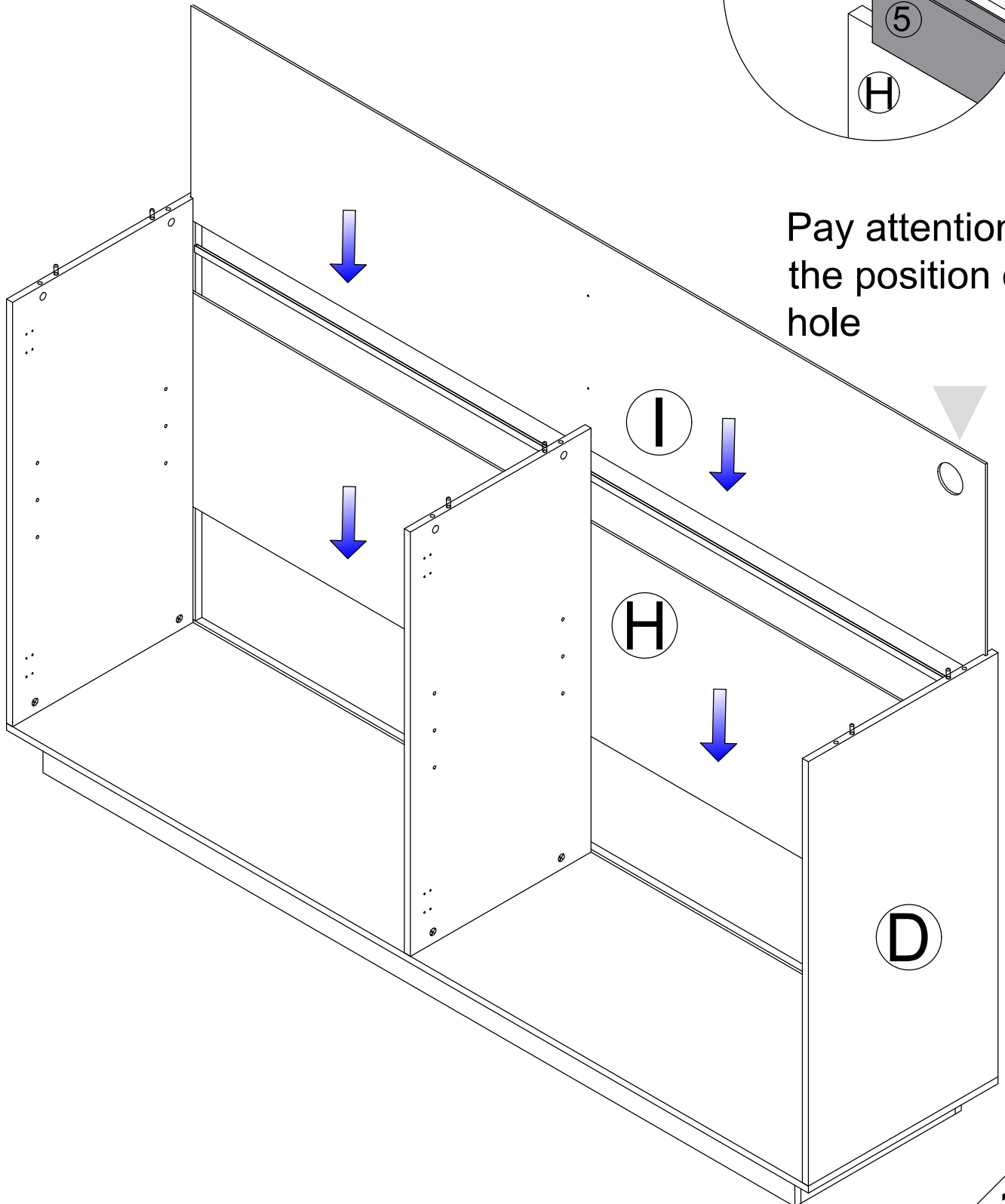
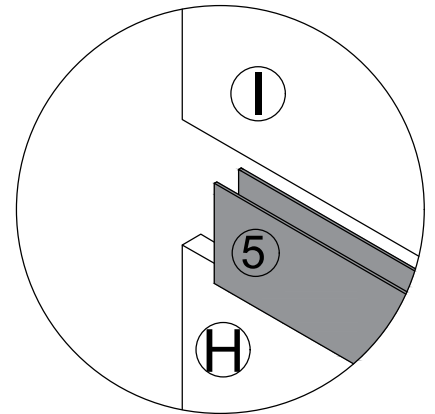
Step 17

5



x1

Place the "H" board, Backboard card strip, and "I" board in order



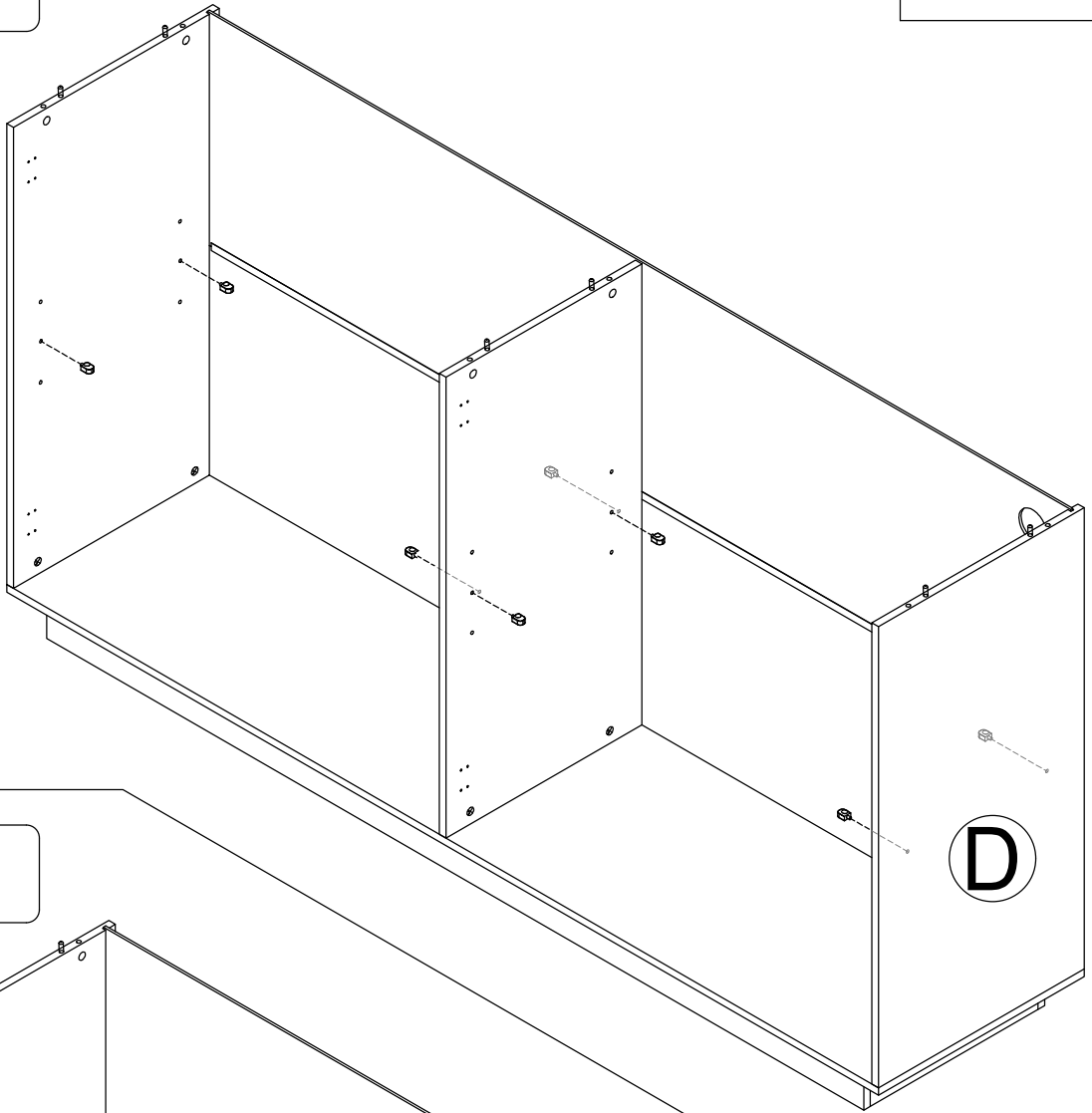
Pay attention to the position of the hole

Step 18

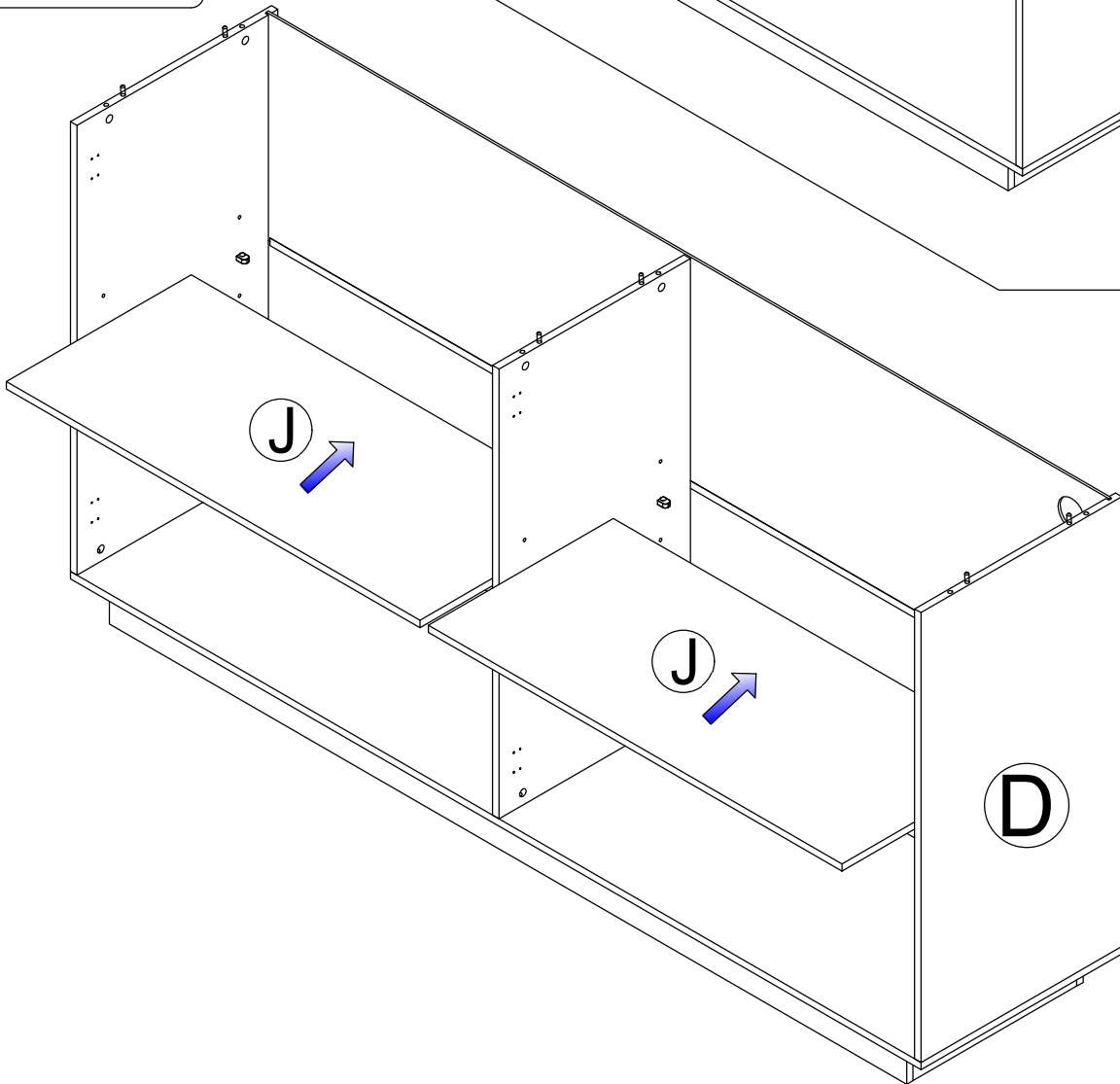
6



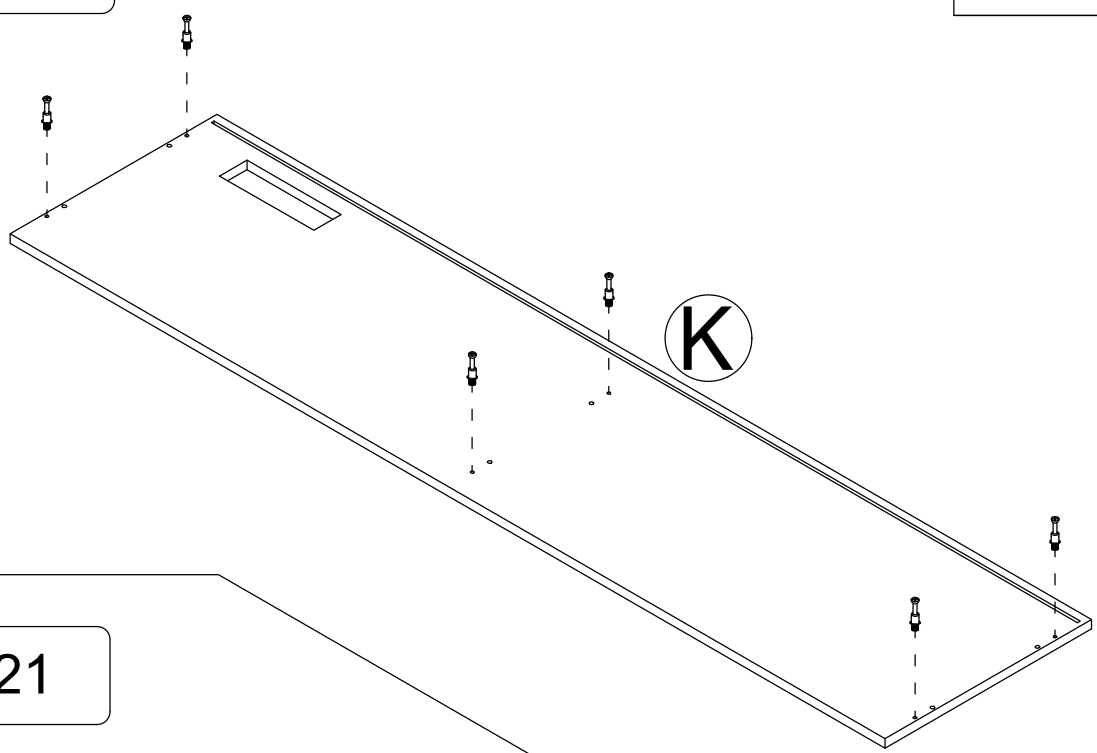
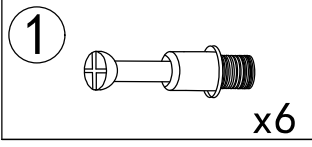
x8



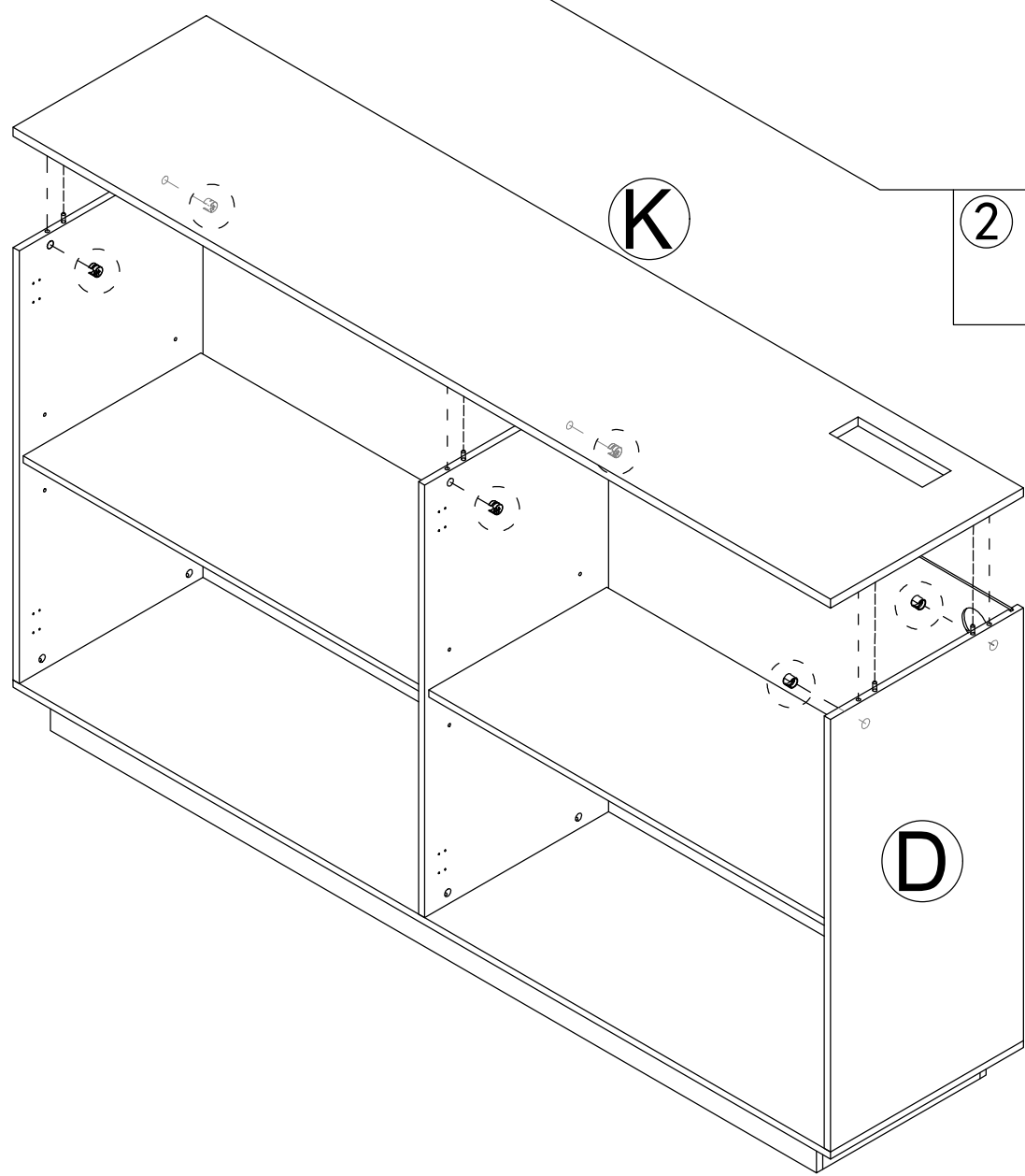
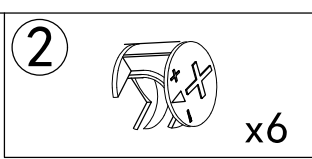
Step 19



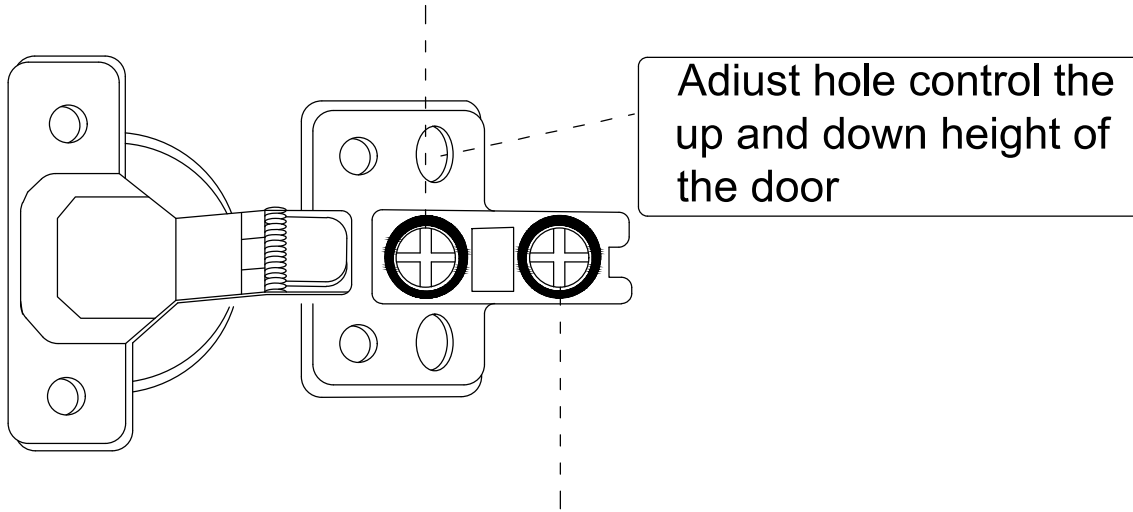
Step 20



Step 21

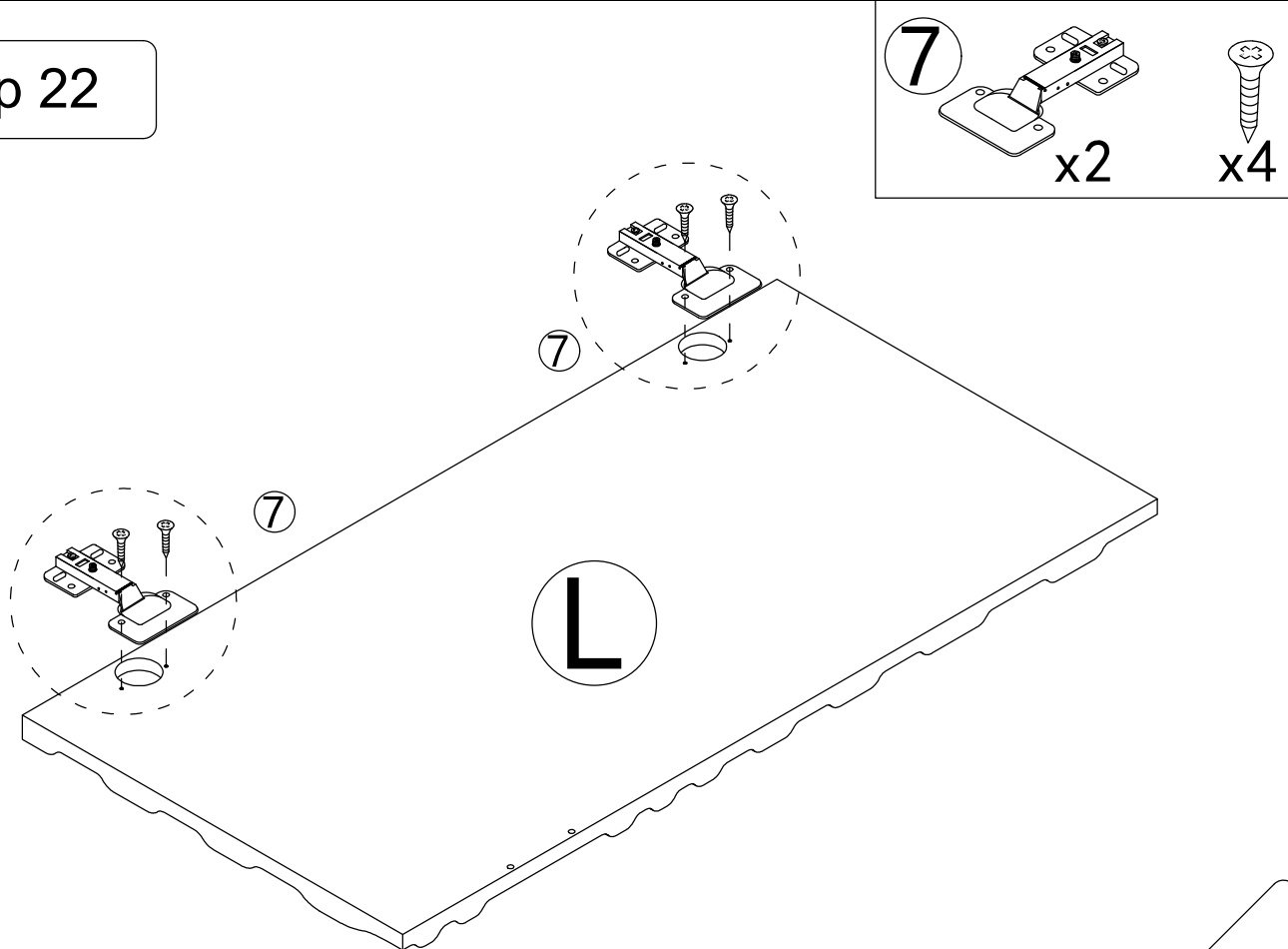


Turning this screw can effectively adjust the size of the door gap.

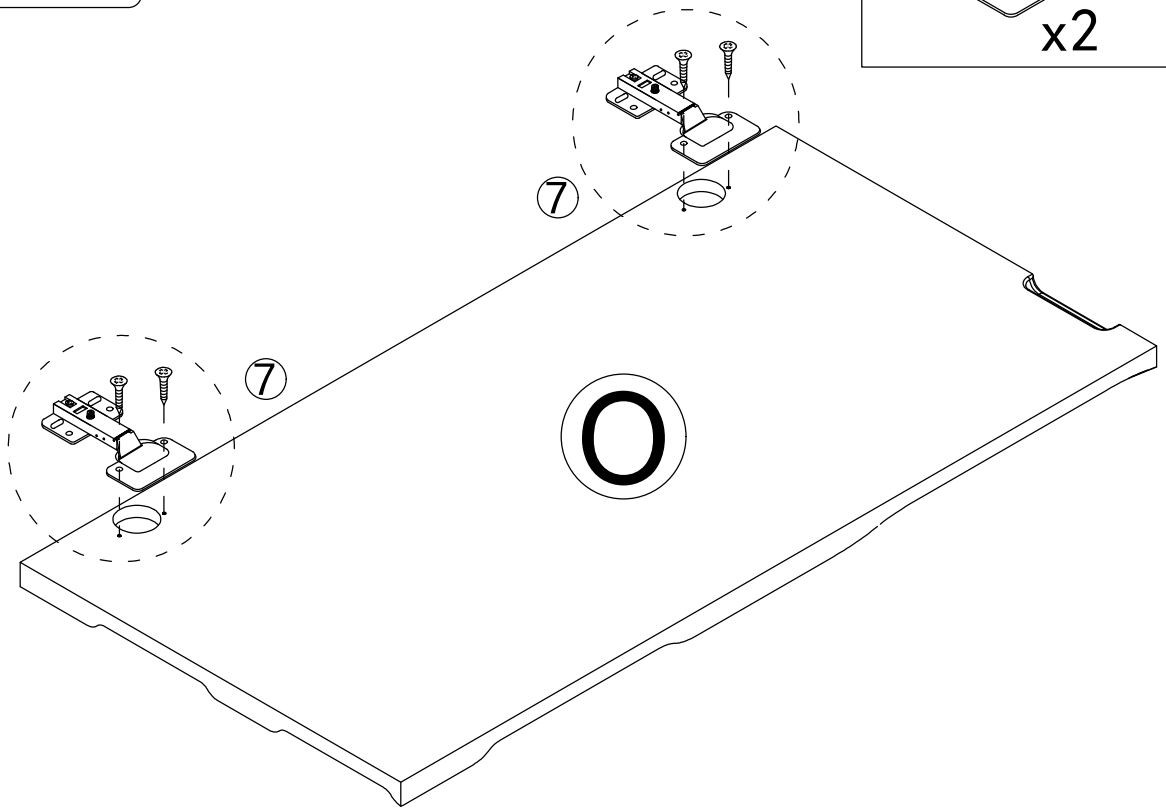
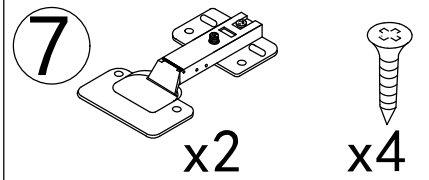


Turn this screw to adjust the door panel to be flat with the side panel.

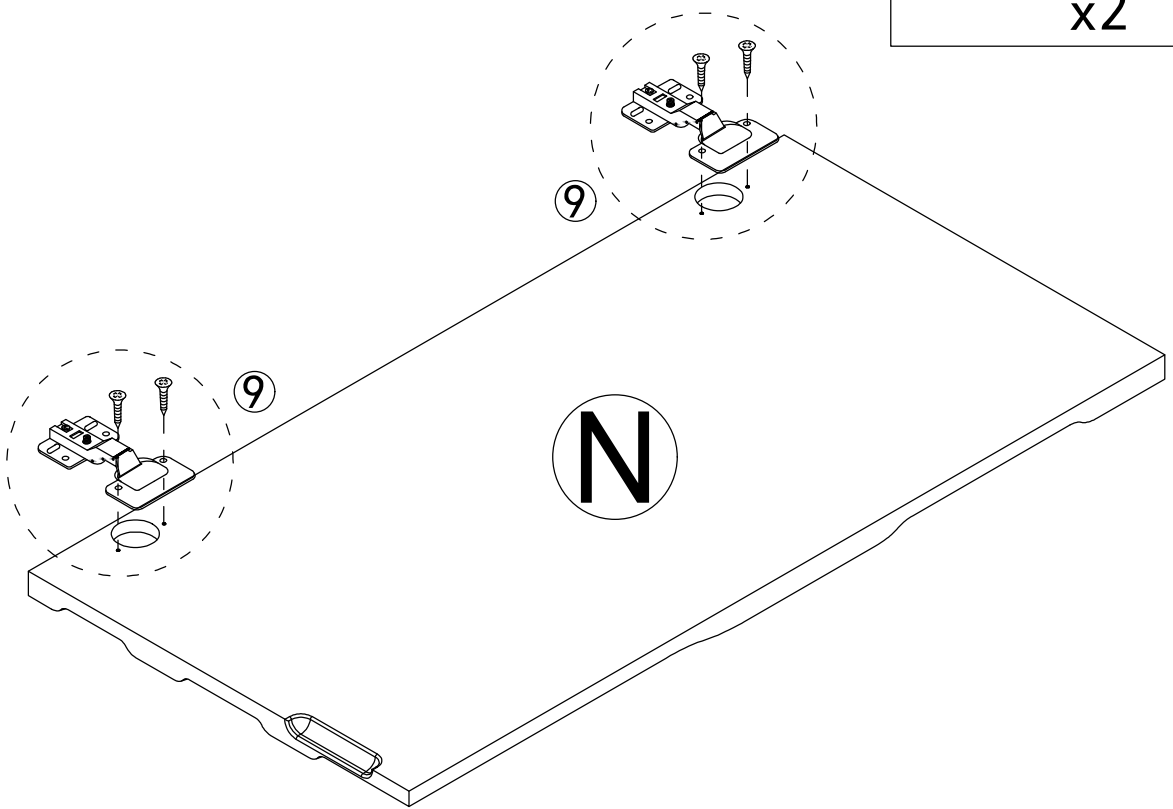
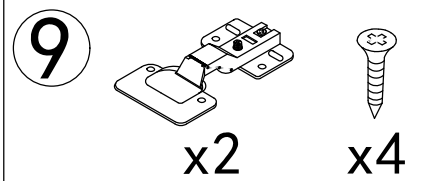
Step 22



Step 23

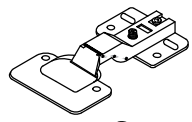


Step 24



Step 25

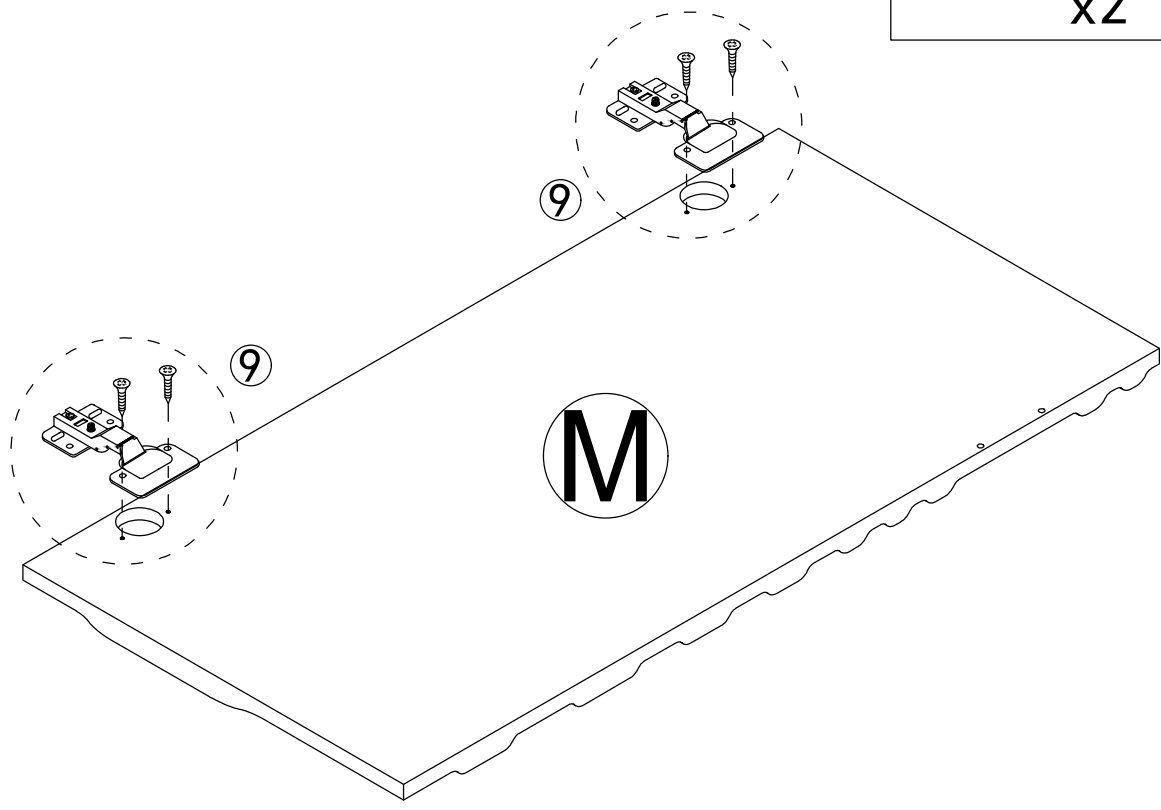
9



x2



x4



M

Step 26

8

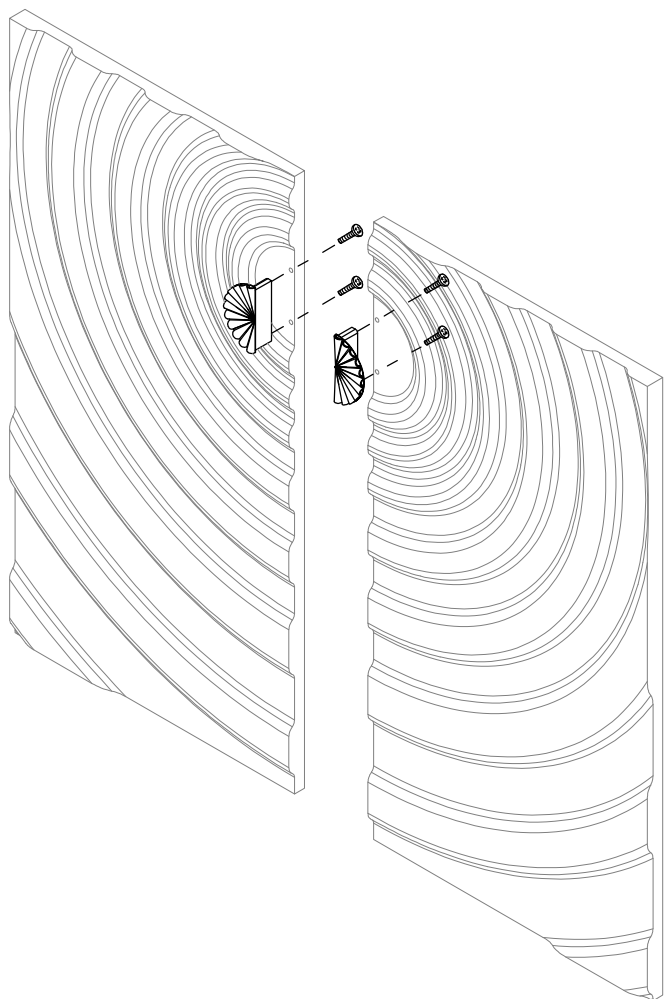


x2



x4

L

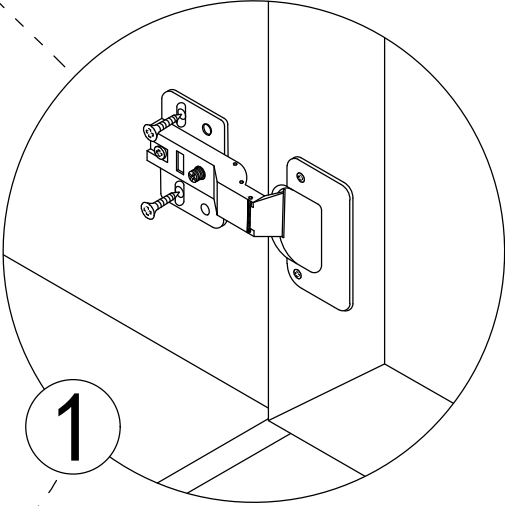
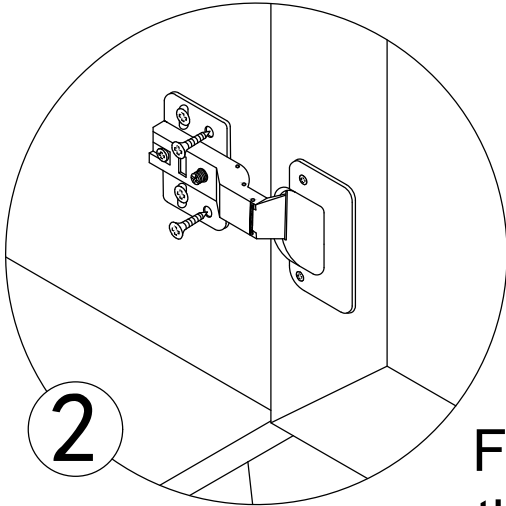
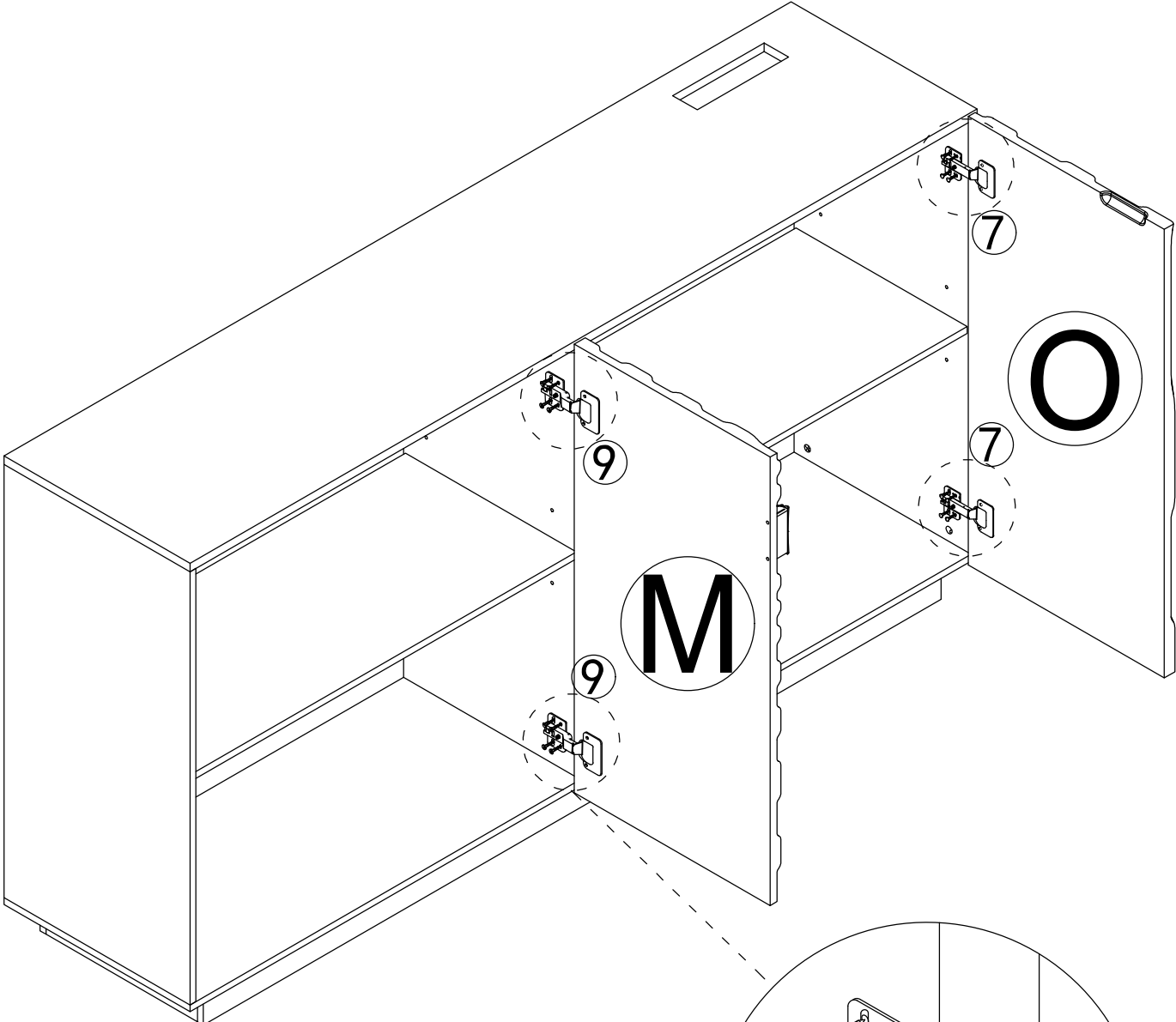


M

Step 27

7  x8

9  x8

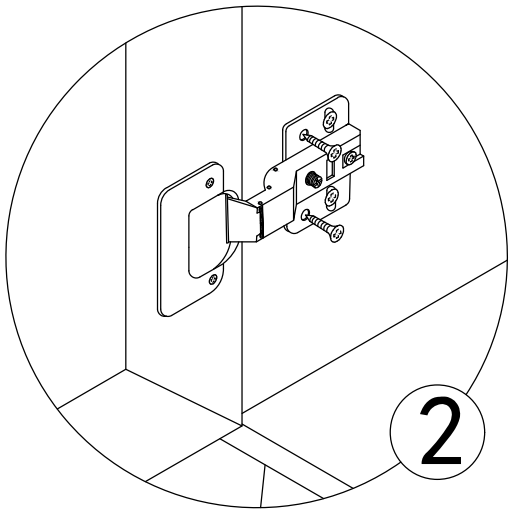
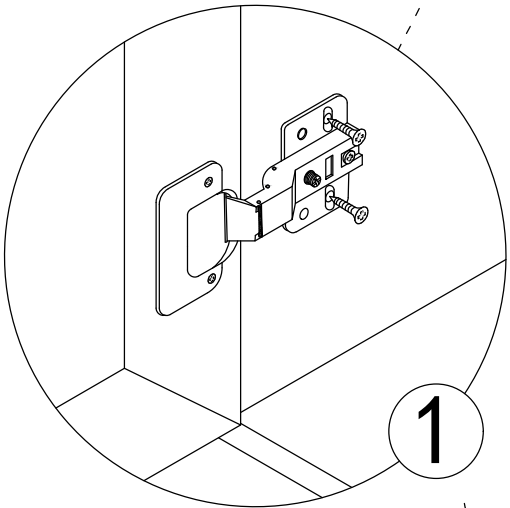
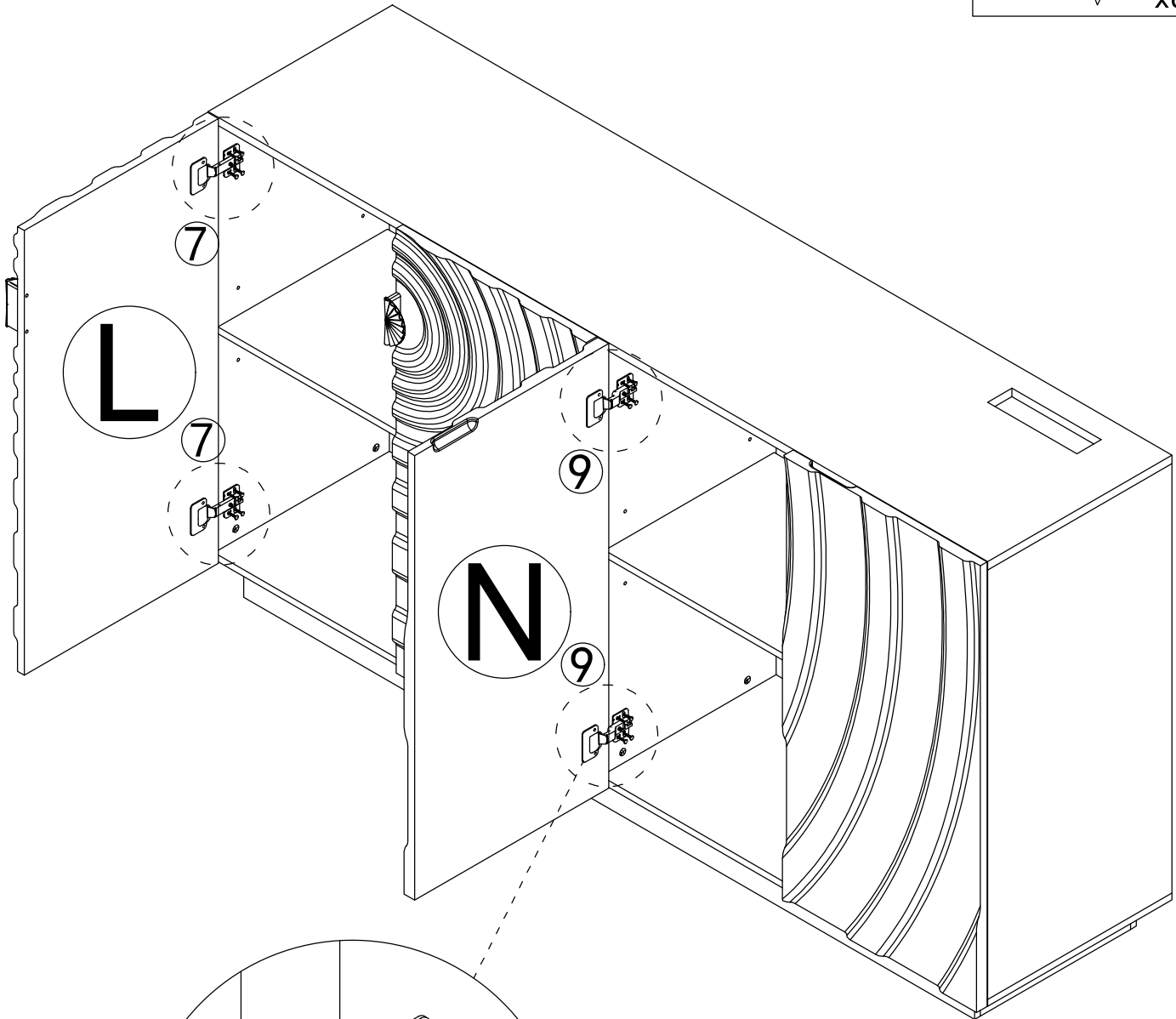


First lock the elliptical hole
then lock the fixed hole

Step 28

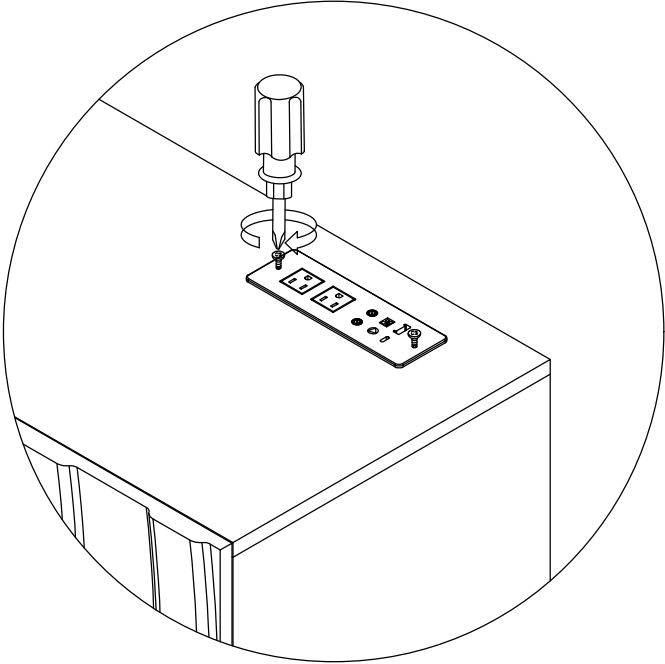
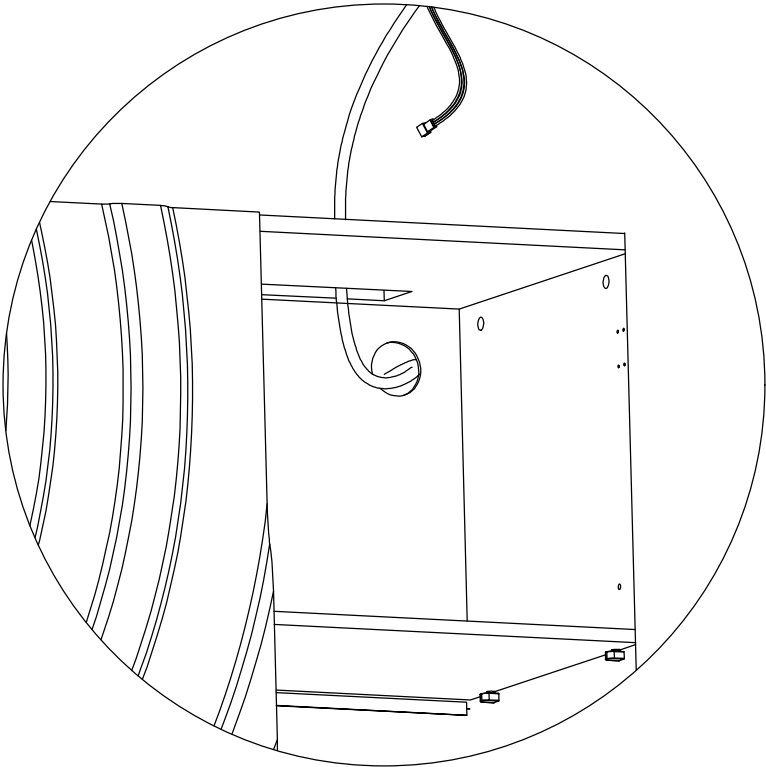
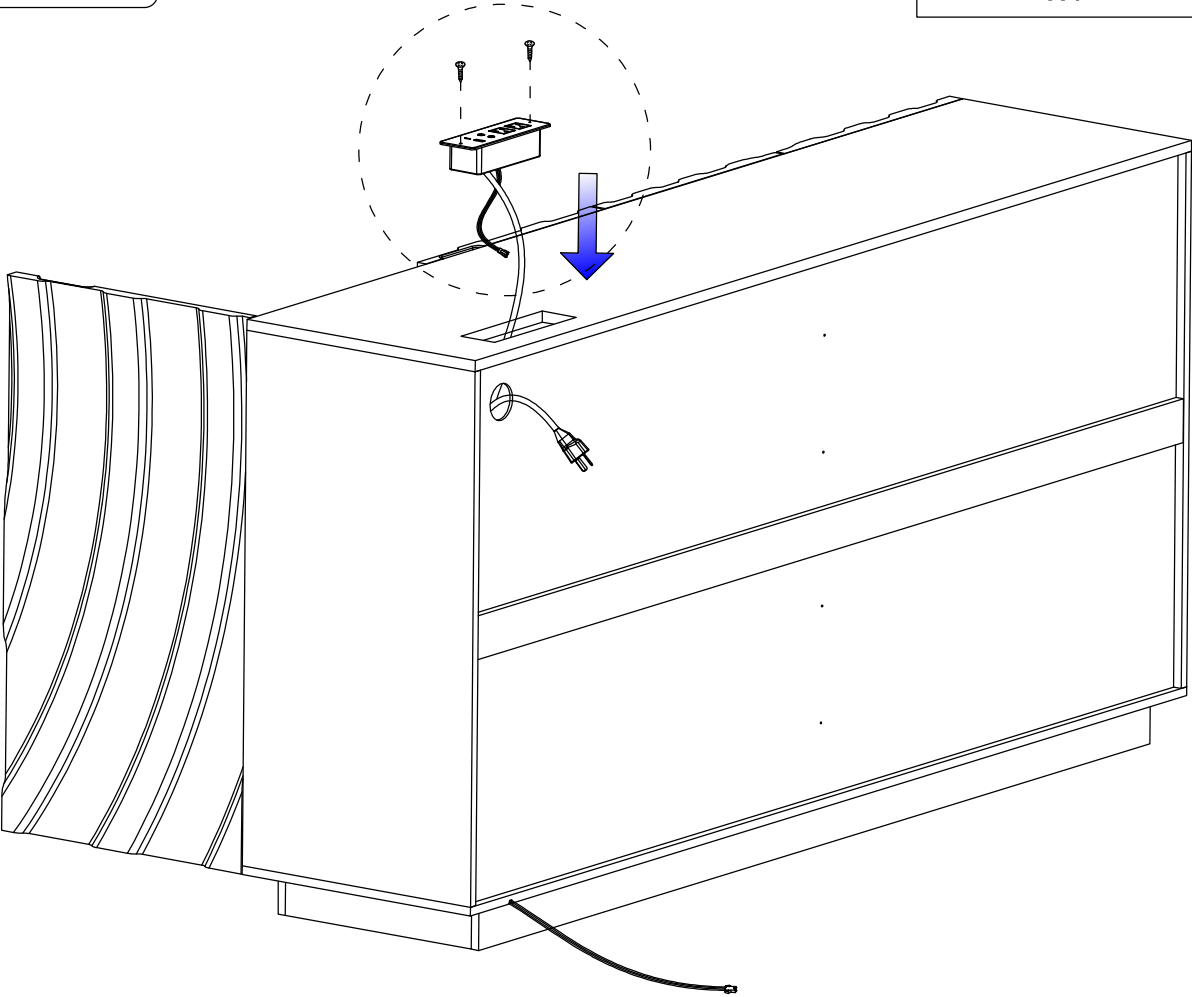
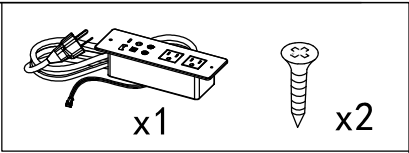
7  x8

9  x8



First lock the elliptical hole
then lock the fixed hole

Step 29

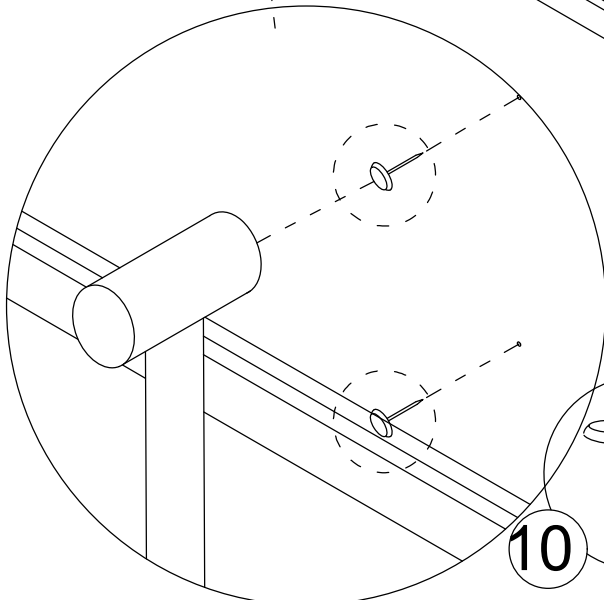
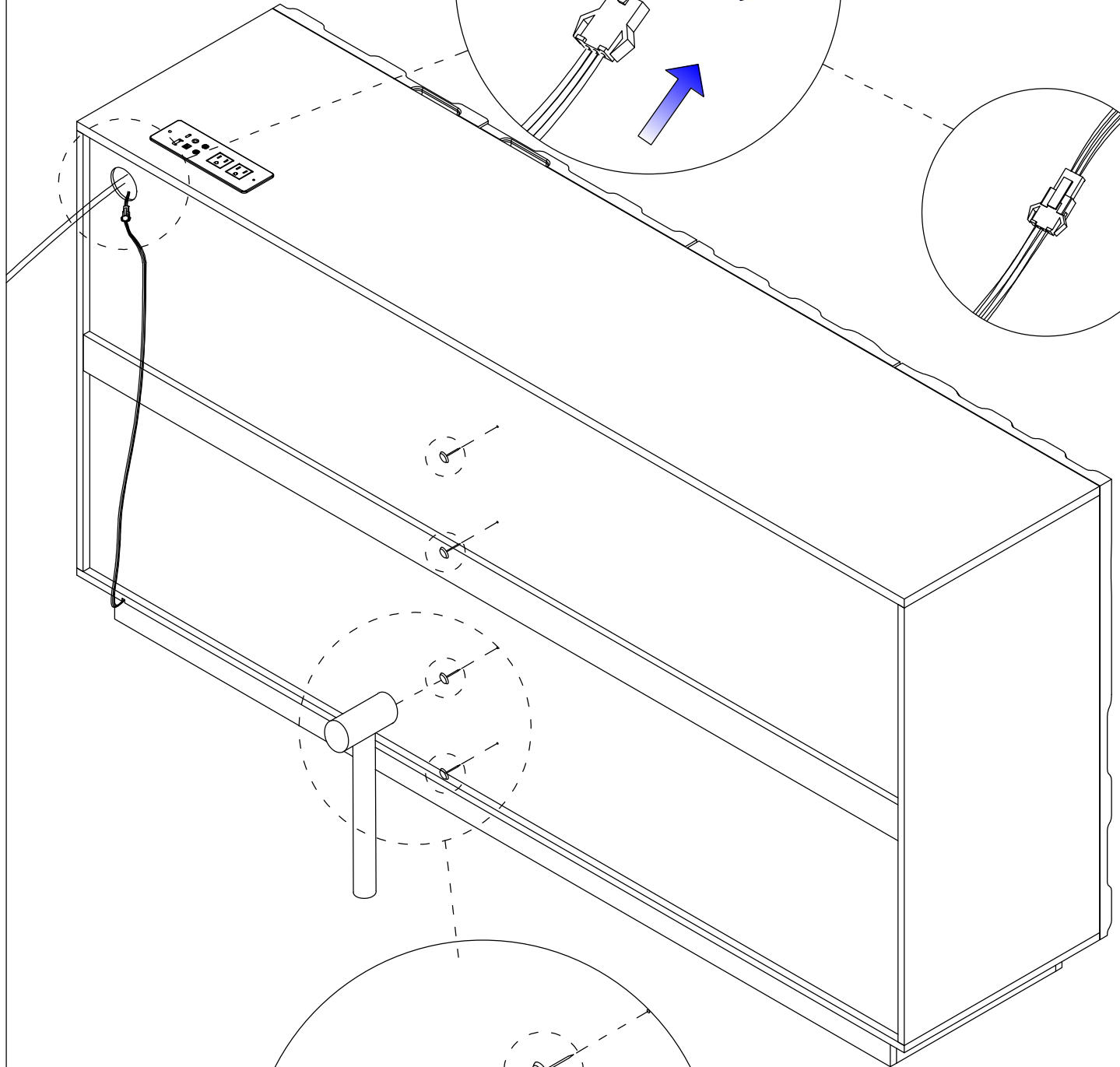
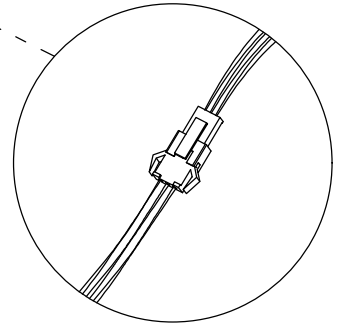
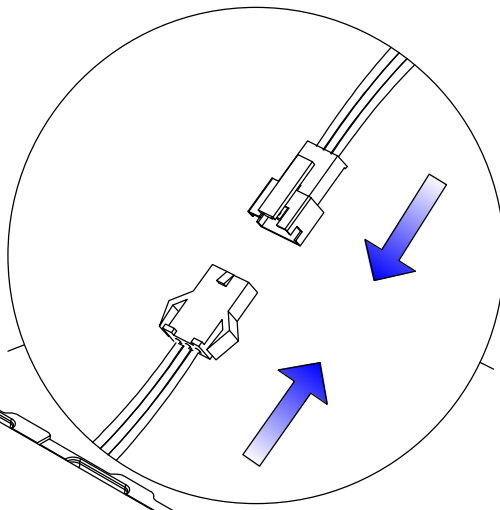


Step 30

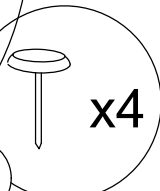
10



x4



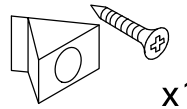
10



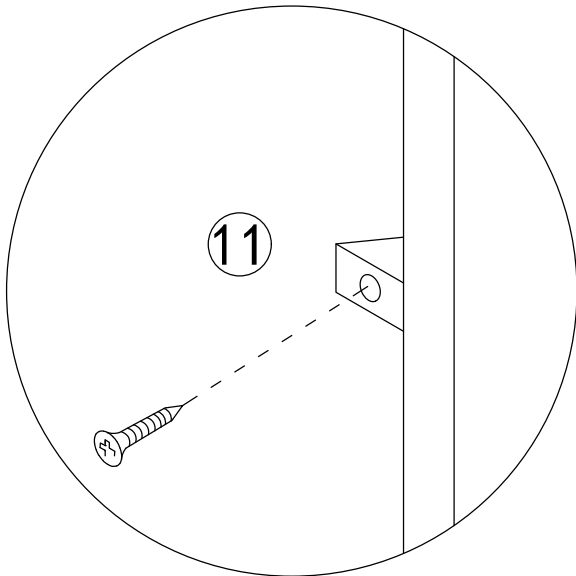
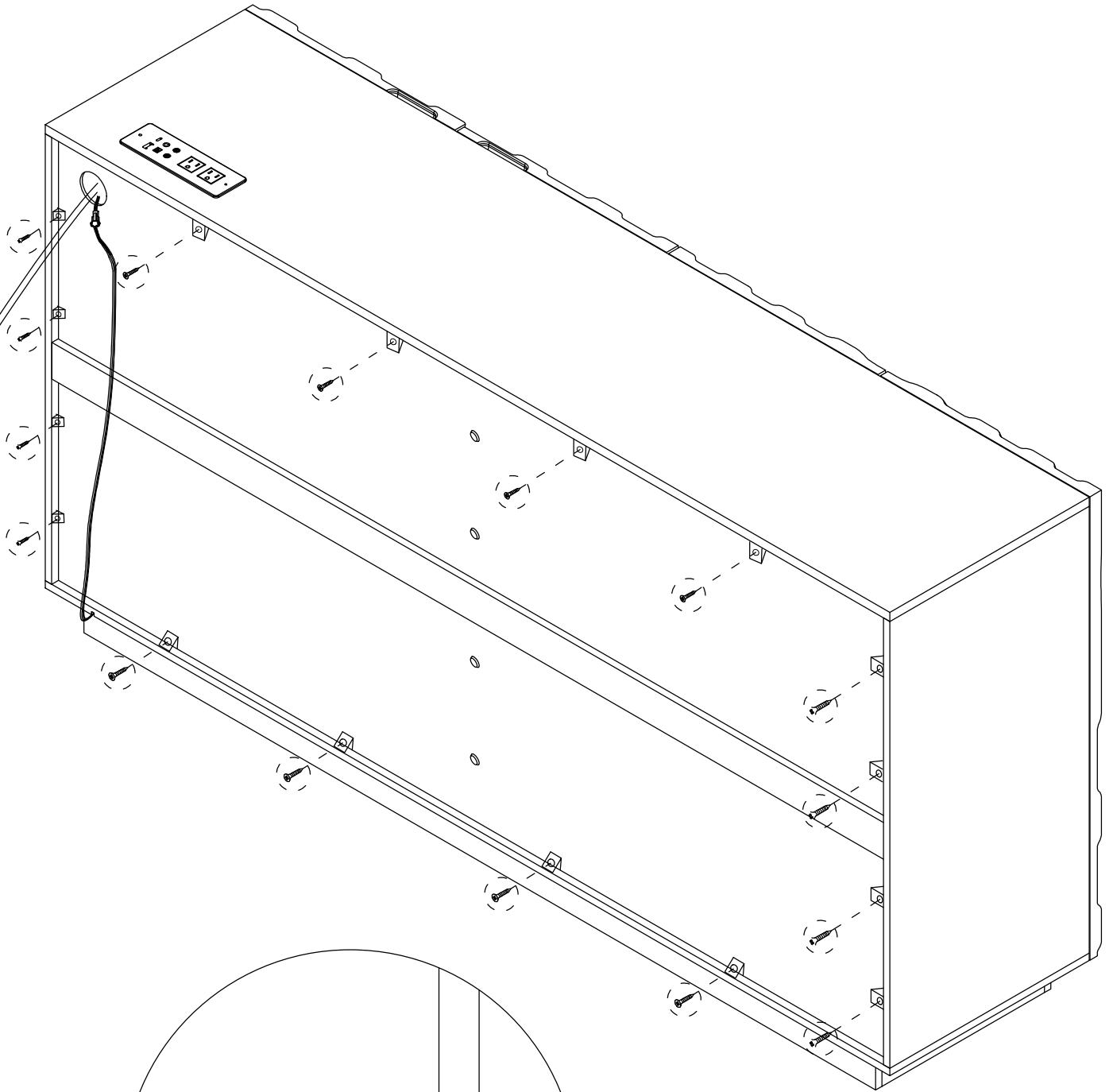
x4

Step 31

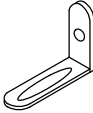
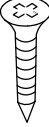

11



x16



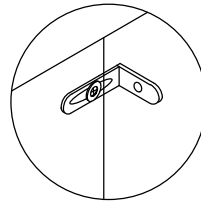
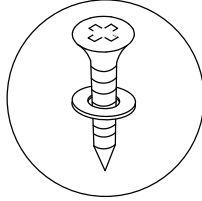
Step 32

12  x2  x2
 x2

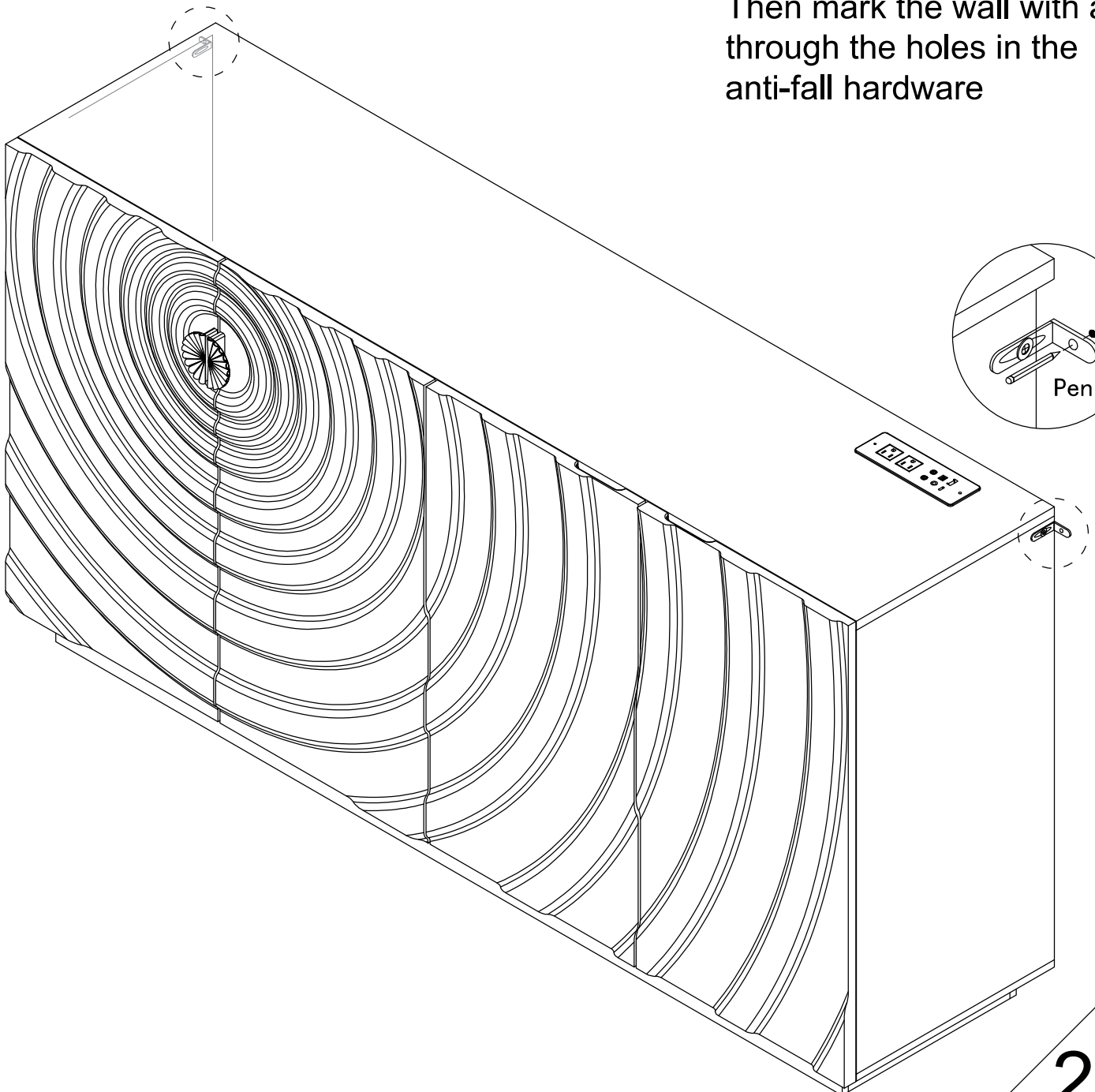
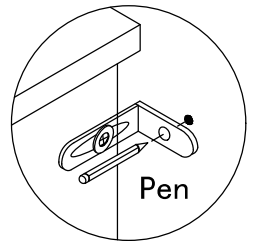
Install as required

Install the anti fall hardware on the cabinet as shown in the picture first

3.5x14mm



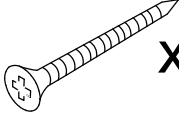

Then mark the wall with a pen through the holes in the anti-fall hardware



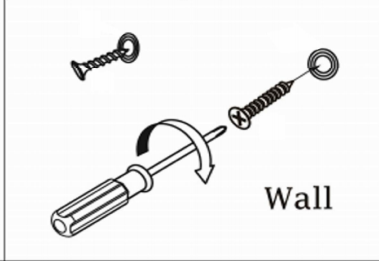
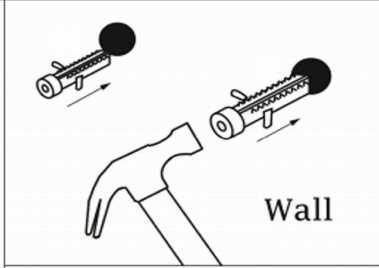
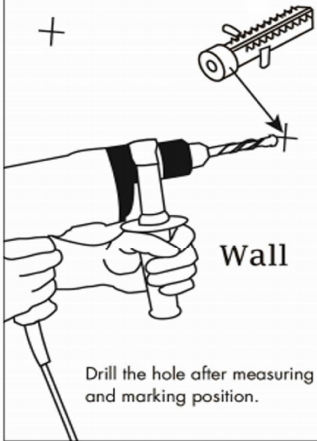
25

Step 33

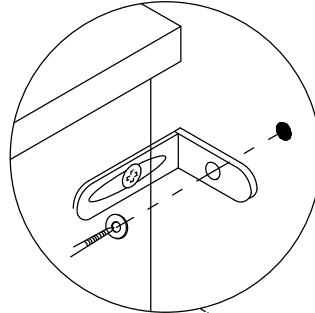
12  x2

 x2  x2

Wall Mount

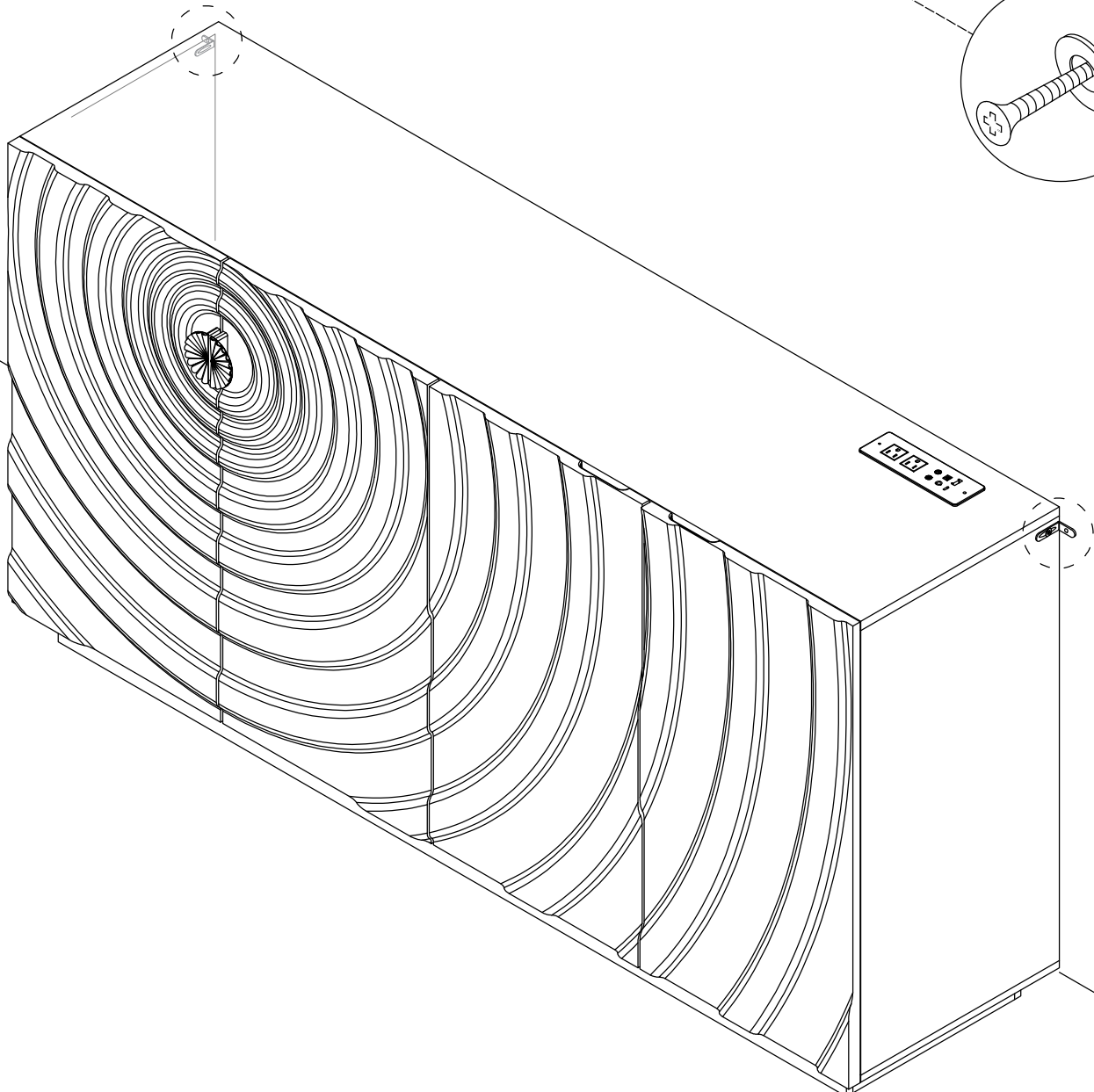
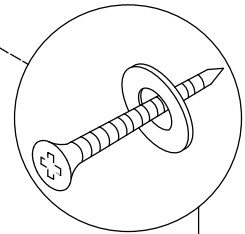


Drill the hole with an electric drill and punch in the colloidal particles



Fix the table to the wall

4x45mm



Smart Box Plug Power Off

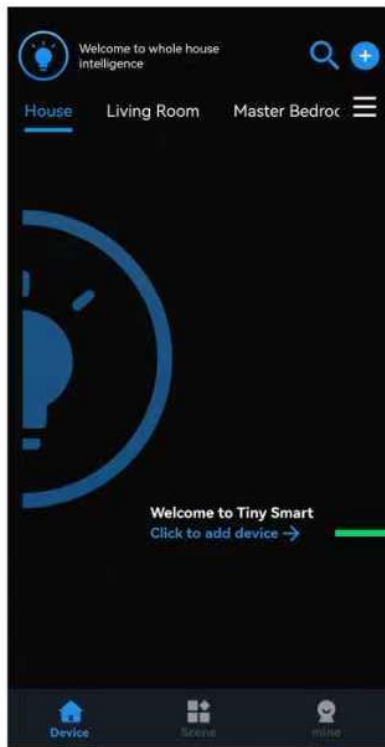
Scan the QR code to download the app



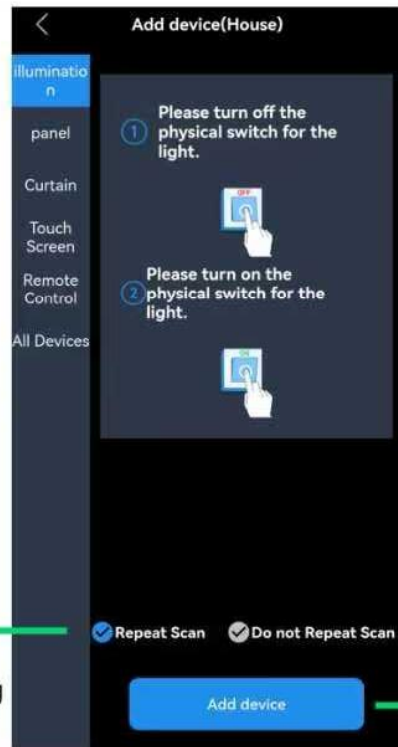
Select English Language

Select the corresponding device to download.

Note: If the download fails, please turn off the "Enhanced Protection" in the Pure Mode settings of the device.



1



2

It turns blue after clicking

3



4



5 Unplug the smart box

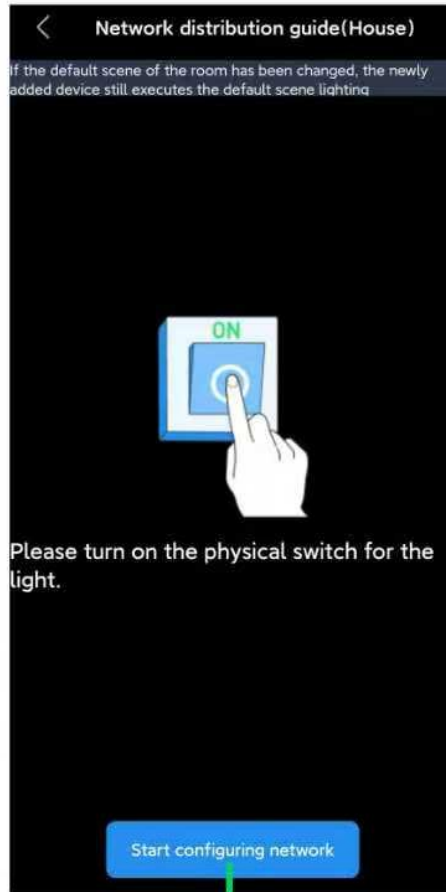


6

7 Plug in the smart box power plug.



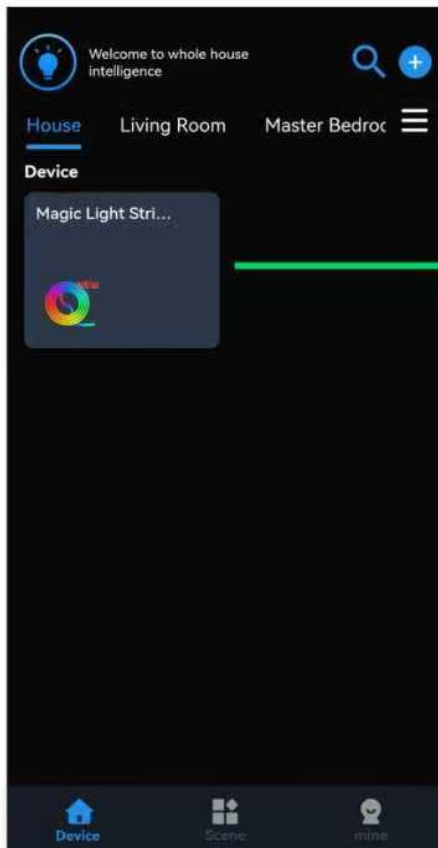
The appearance of this program icon indicates that the matching is complete



8



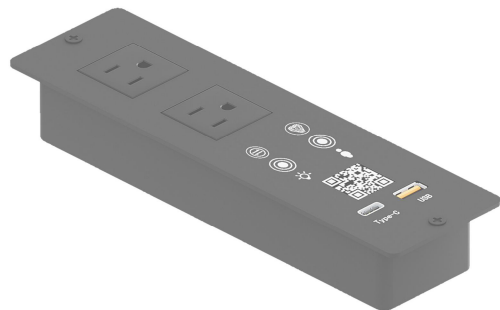
9



10



Now you can freely adjust the lighting according to your preferences



Scan code to download app

User's Guide

Thank you for purchasing this product.

To use this product, please connect it to a power source.

Please use if the product works normally after connecting to power.

Introduction

The box is an intelligent controller.

It has 1 USB output port 1 Type-c port, and 2 socket outlets.

With 2 touch buttons, it can and turn ON/OFF the induction function, turn ON/OFF the light, adjust the light luminance, and change light colors.

The lights can be controlled through both the touch buttons and a dedicated app.

Operation



This touch button is used to turn the light on/off, adjust brightness, and switch the color of the lights.

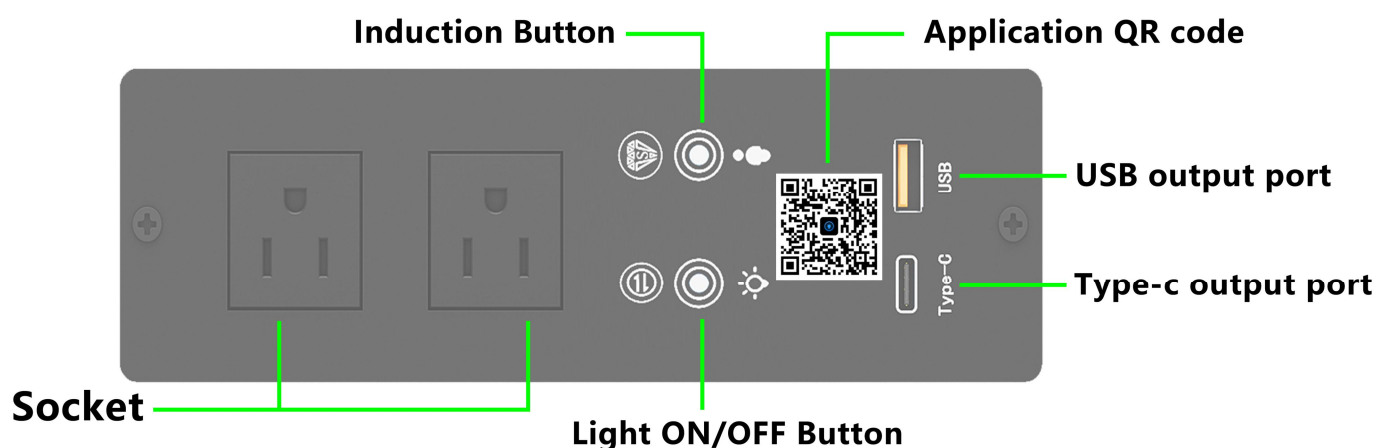
- i. Single Click: Turn the light on/off.
- ii. Quick Double-Click: Switch between 7 static RGB colors.
- iii. Long Press (2+ seconds): Adjust the light luminance.



This touch button is used to switch dynamic phantom colors and turn ON/OFF the induction function.

- i. Single Click: Switch to Phantom Mode, with 5 magical color transformations available.
- ii. Human Body Sensing Control: Long Press (3+ seconds): Turn on The key press indicator light is on.)
Long Press (3+ seconds): Turn off (The key press indicator light is off.)

By default, the human body sensing is enabled upon initial power-on, and the indicator light is on.



ATTENTION PLEASE

1. If there is no touch response suddenly, Re-plug the power to reset the touch static electricity.
2. If you have any questions when installing, please feel free to contact us. Thank you.