

# Metal Bar and Wine Table

## ASSEMBLY INSTRUCTIONS

### Before You Begin:

Please identify all component parts and hardware pieces required before you begin. Carefully remove all of the components from the packaging and set aside for assembly. Assemble on a soft surface to prevent scratching during assembly.

### Caution:

Tighten all components securely before use. Failure to do so may result in personal injury. DO NOT use any sharp objects to open plastic wrapped components as damage to product or components may result.

### Warning:

**CHOKING HAZARD** - Small Parts. Adult Assembly Required.

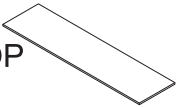


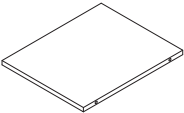
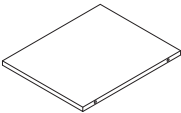
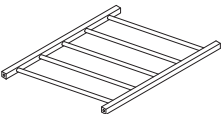
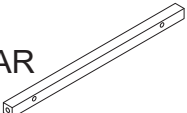
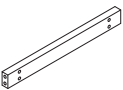

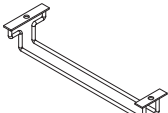
### DO NOT ALLOW CHILDREN TO CLIMB ON FURNITURE








Serious or fatal injuries can occur from furniture tipping over. You must install Tipping Restraint Hardware (where included) to help prevent the unit from tipping and causing accidental injury, instability, death or damage. The tipping restraint is intended only as a safety measure, it is not a substitute for proper adult supervision.

To help prevent furniture from tipping over it must be permanently attached to the wall. Anti-Tip Safety Wall Straps suitable for the unit weight and wall materials (if not included) should be purchased and installed.

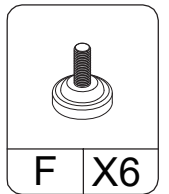
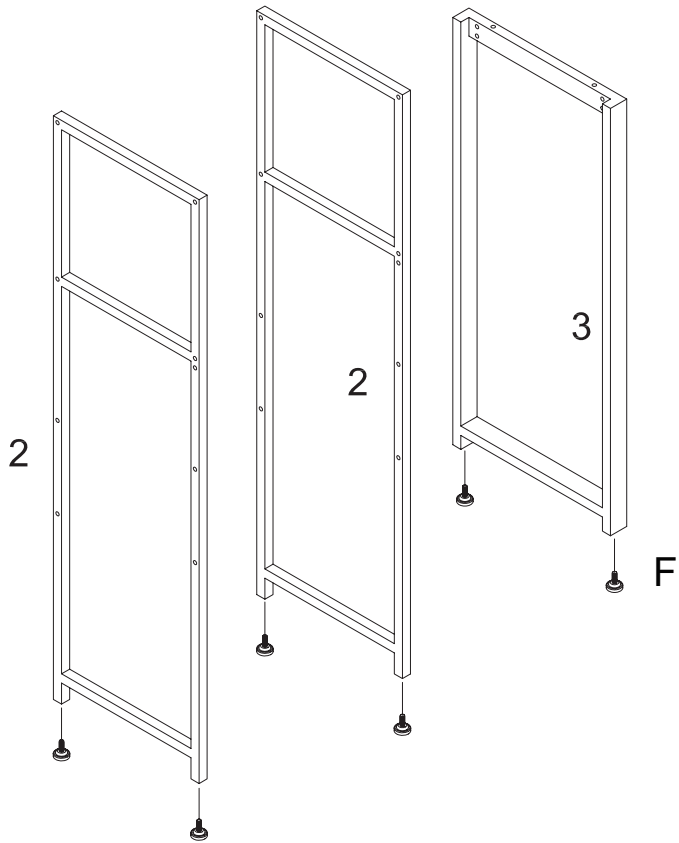


## PARTS

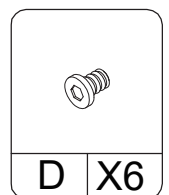
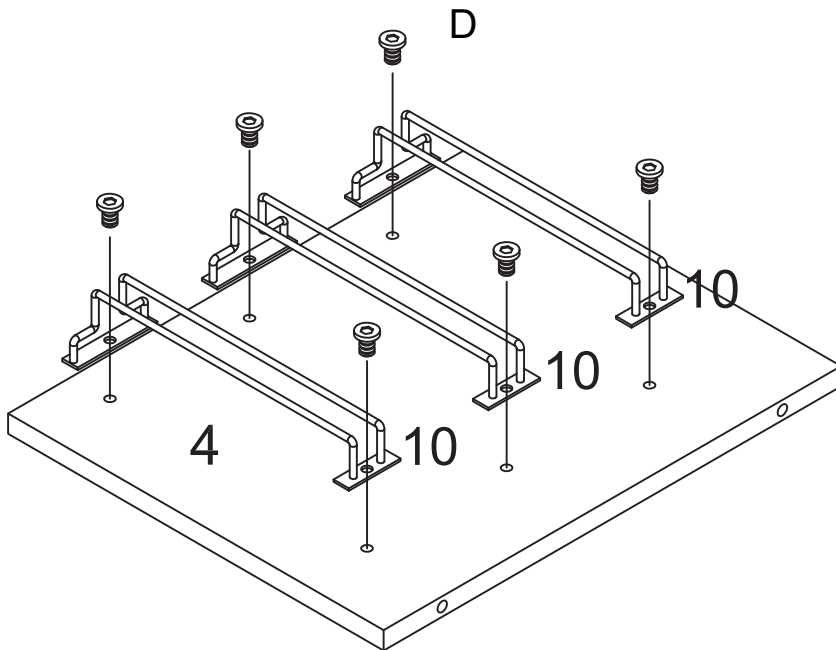
1.	TABLE TOP 	1PC
2.	LEFT & MIDDLE FRAME 	2PCS
3.	RIGHT FRAME 	1PC
4.	LEFT UPPER PANEL 	1PC
5.	LEFT BOTTOM PANEL 	1PC
6.	LEFT SHELF 	2PCS
7.	LEFT CROSSBAR 	5PCS
8.	MIDDLE CROSSBAR 	1PC
9.	TABLE SUPPORT BAR 	2PCS
10.	GLASS HOLDER RACK 	3PCS

A.	HEXAGON SOCKET HEAD SCREW  M6*50mm	6PCS
B.	HEXAGON SOCKET HEAD SCREW  M6*30mm	2PCS
C.	HEXAGON SOCKET HEAD SCREW  M6*35mm	30PCS
D.	HEXAGON SOCKET HEAD SCREW  M6*12mm	6PCS
E.	HEXAGON SOCKET HEAD SCREW  M5.5*50mm	8PCS
F.	FLOOR GLIDES 	6PCS
	TOOLS  M4	1PC

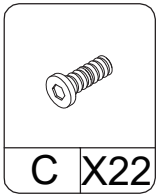
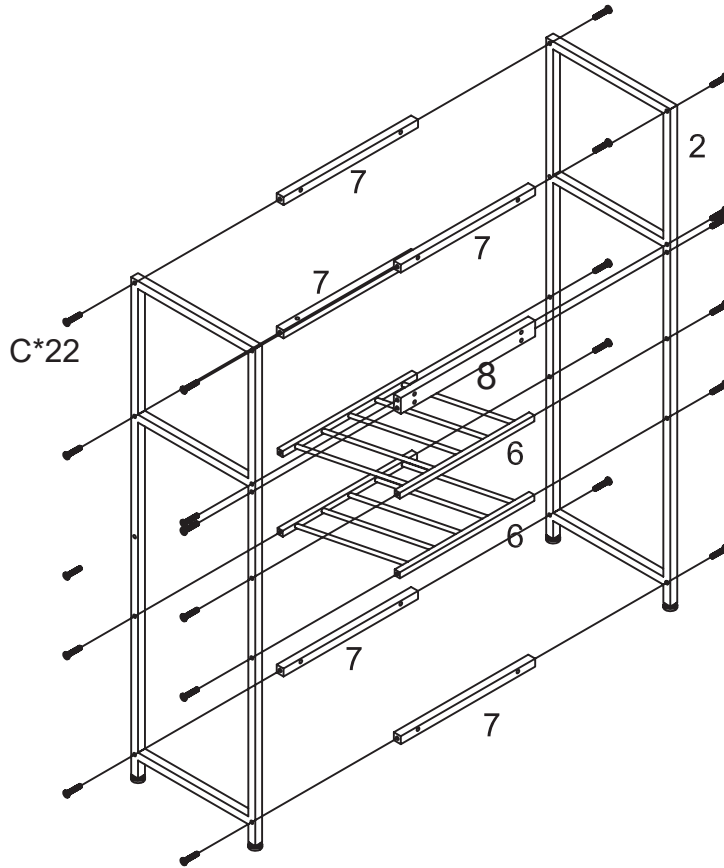
**STEP 1**



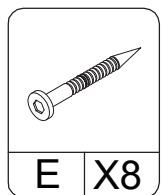
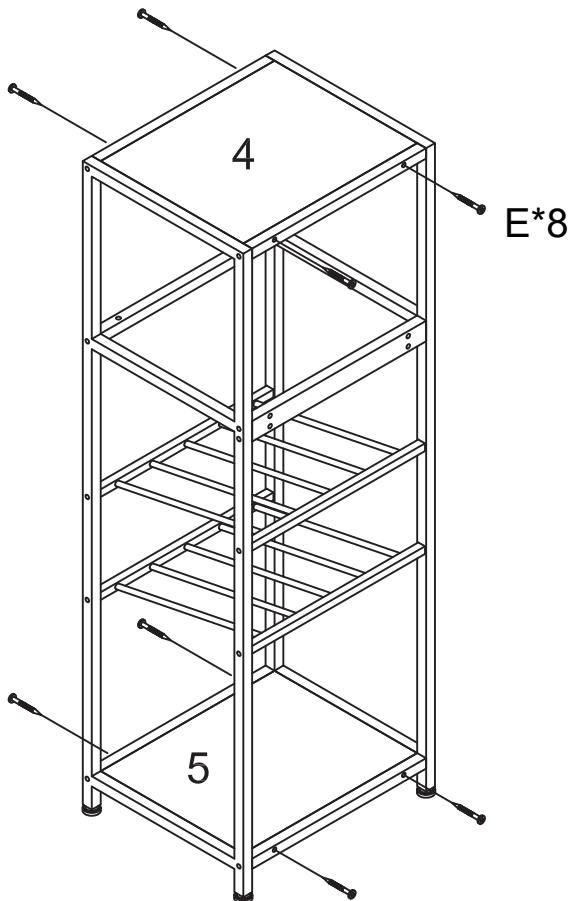
**STEP 2**



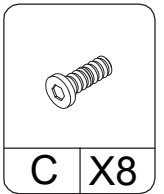
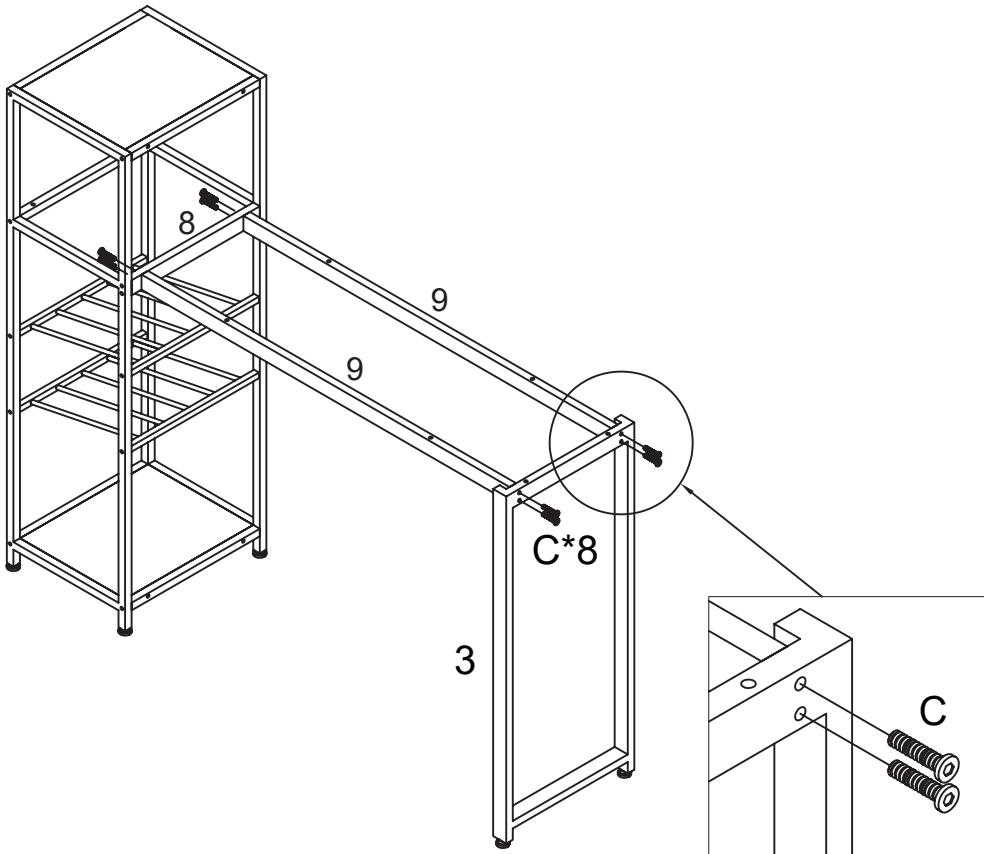
STEP 3



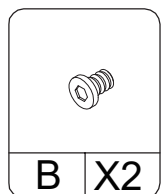
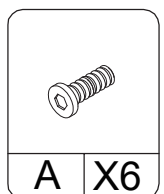
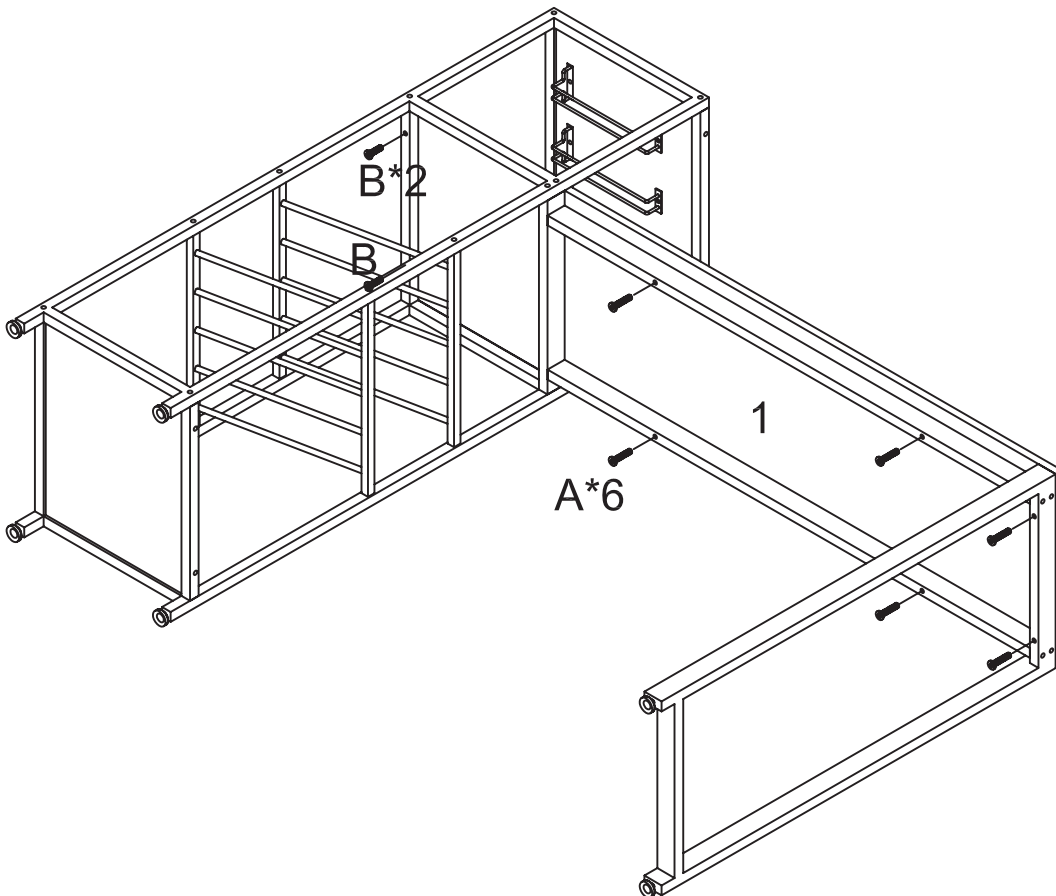
STEP 4



**STEP 5**



**STEP 6**



## Quality and Safety Guidelines:

- Please follow the static and dynamic weight capacity limits provided on this item. If you are unsure of the weight capacities for this product, email us at [\[redacted\]](#)
- Please use this item on a stable, level surface only. All shelf legs should contact the flooring surface when in use. Do not use this item if any instability is detected.
- Please install and use anti-tipping devices if included.
- For maintenance instructions and replacement parts, please email us at [\[redacted\]](#)
- This item is intended as a bar shelf only, do not climb, stand or sit on this item. Do not use as a TV stand.
- Do not slide this item when moving it.
- The item is intended to be used indoors.
- For product longevity, product safety and product integrity, protect from wet and humid weather or other wet, humid or moist conditions and store indoors in a dry location. For additional storage and usage instructions, please email us at [\[redacted\]](#)

- [\[redacted\]](#)