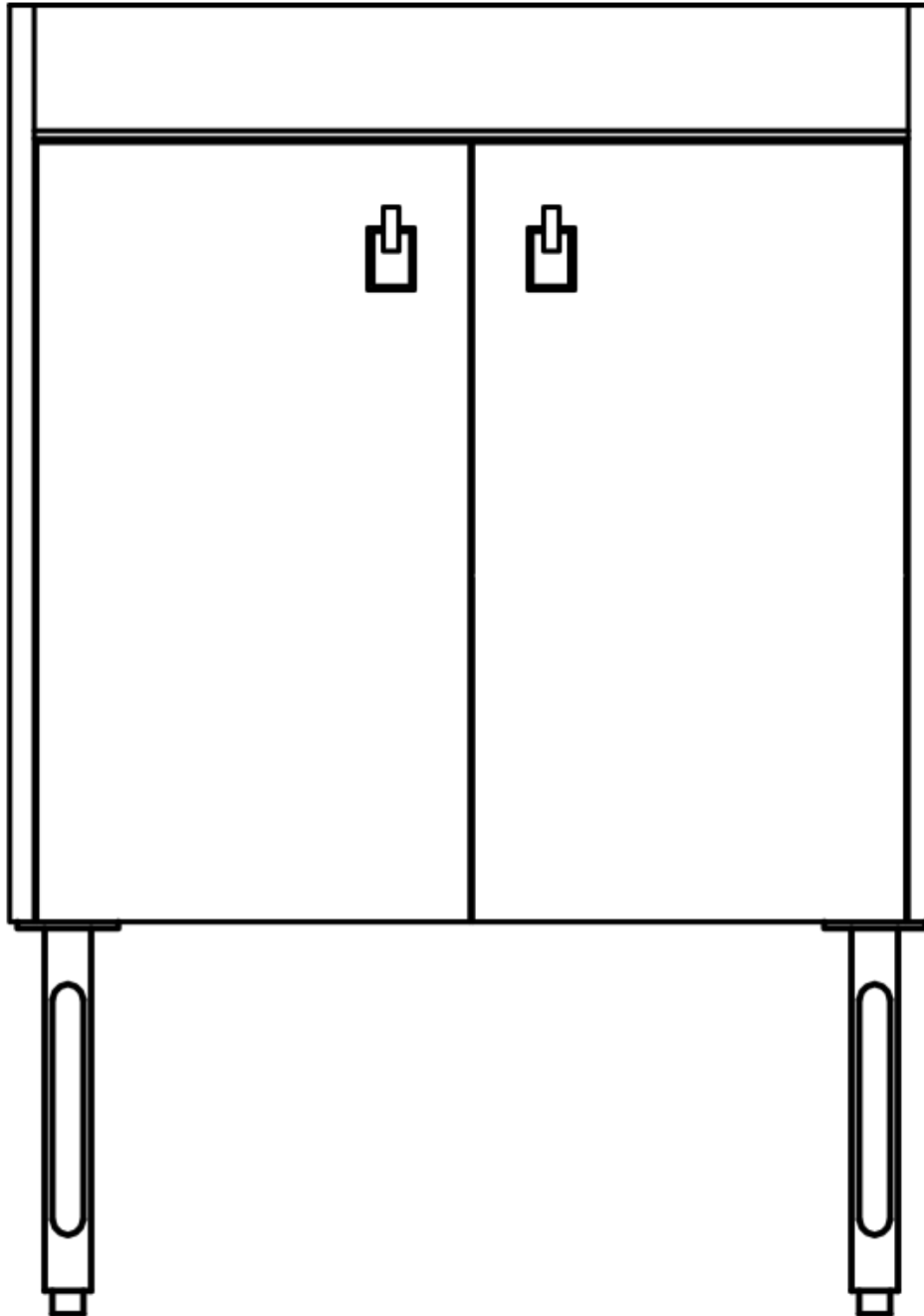


# Freestanding Vanity INSTALLATION INSTRUCTIONS

---

Swiss Madison®  
well made forever



@SwissMadison  
#WellMadeForever





## PRIOR TO INSTALLATION:

- Inspect product to ensure no damages have occurred while in shipping.
- Observe all plumbing and building codes in accordance with your state and local requirements.
- Floor must be level prior to installation of vanity.
- All dimensions are nominal! Be sure to measure your vanity prior to installation.
- The step-by-step guidelines in the installation instructions are a general reference. Should there be any discrepancies, Swiss Madison cannot be held liable. It is recommended to install all Swiss Madison products by hiring a licensed professional.
- Read installation and maintenance instructions thoroughly before installing. Be sure to use proper tools and always wear proper personal safety accessories for your protection.

If you have any questions or concerns please contact us:  
 1-434-623-4766  
[info@swissmadison.com](mailto:info@swissmadison.com)

## SUGGESTED TOOLS & MATERIALS:



Safety Glasses



Allen Wrench



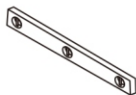
Screwdrivers



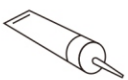
Silicone



Drop Cloth



Level



Adhesive

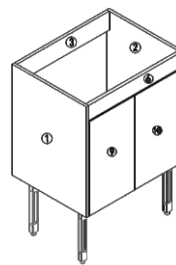


Drill

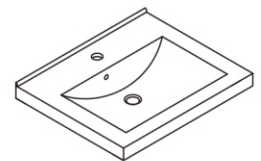


Gloves

## INCLUDED PARTS:



Vanity Base



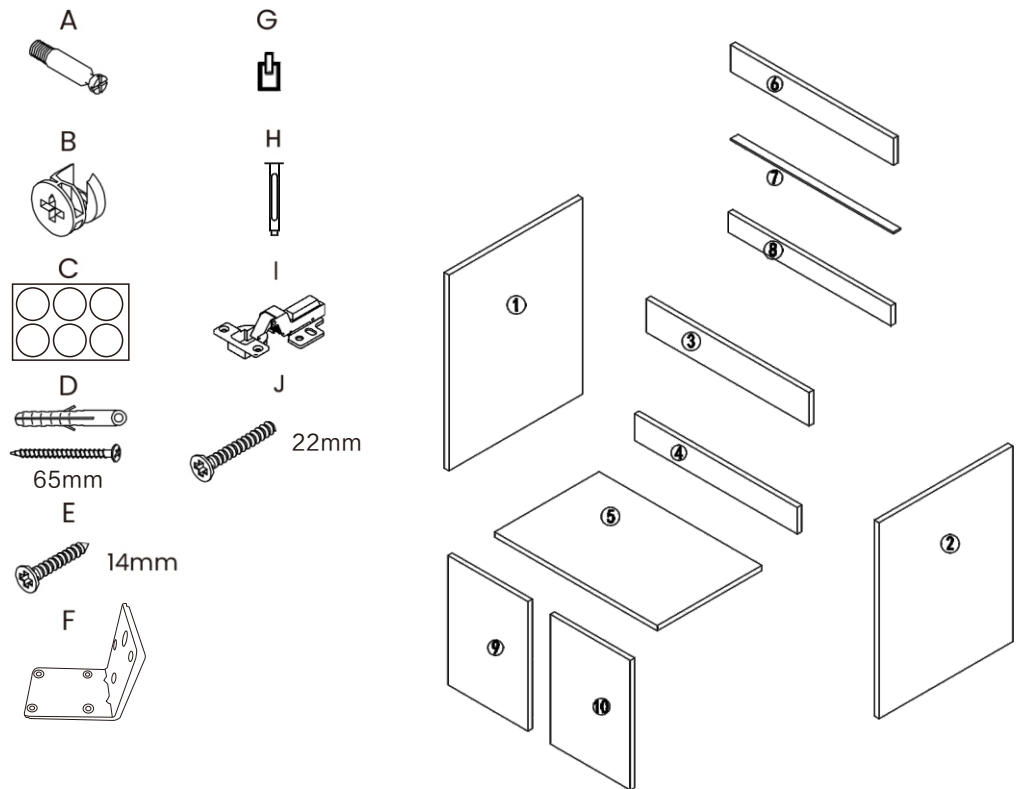
Vanity Sink



Hardware

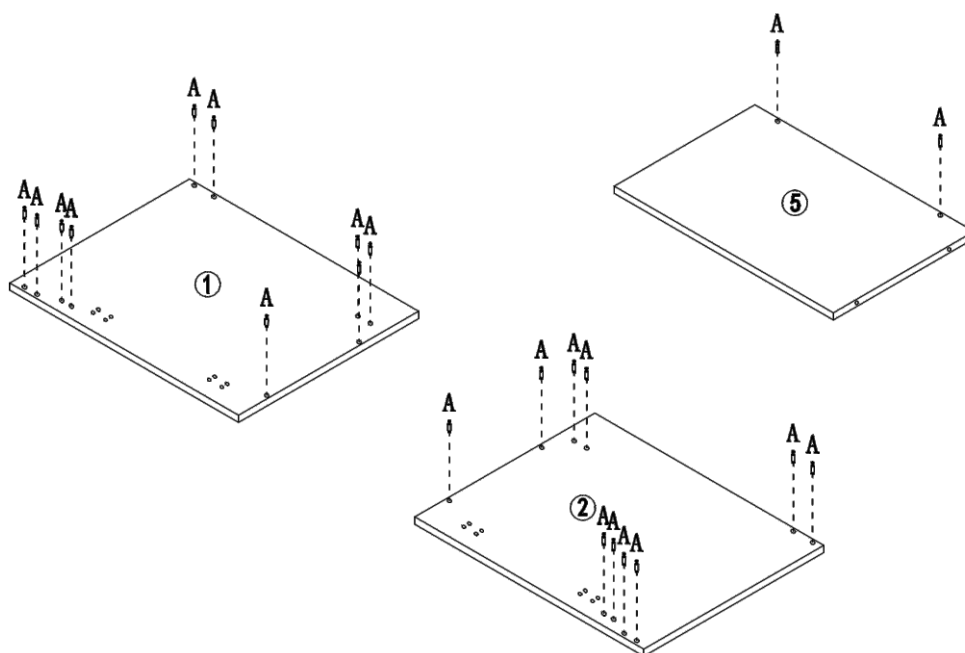
## Parts for Reference:

- 1:Left side panel
- 2:Right side panel
- 3:Rear top bar
- 4:Near bottom bar
- 5:Bottom panel
- 6:Front top bar
- 7:Golden aluminum bar
- 8:Front inner bar
- 9:Left door
- 10:Right door
- A.Cam bolt
- B.Cam lock
- C.Cam patch
- D.Screw(65mm)&plastic anchor
- E.Screw(14mm)
- F.Iron sheet
- G.Door handle
- H.Gold cabinet feet
- I.Hinge
- J.The handle screw(22mm)



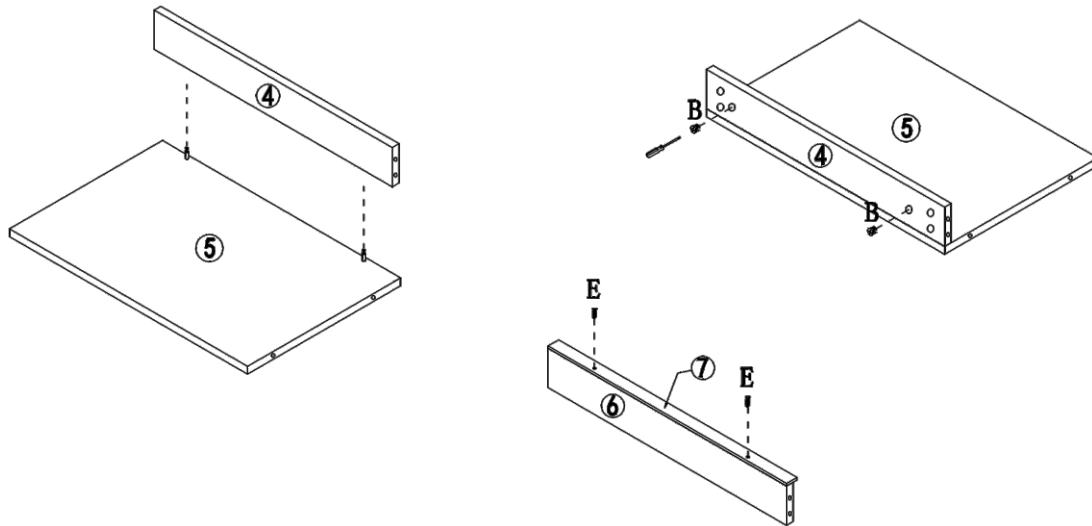
## 1. Install Side Panel Slides

Screw 10 cam bolts(A)into the left side panel(1).Repeat for the right side panel(2)  
Screw 2 cam bolts(A)into the Bottom panel(5)



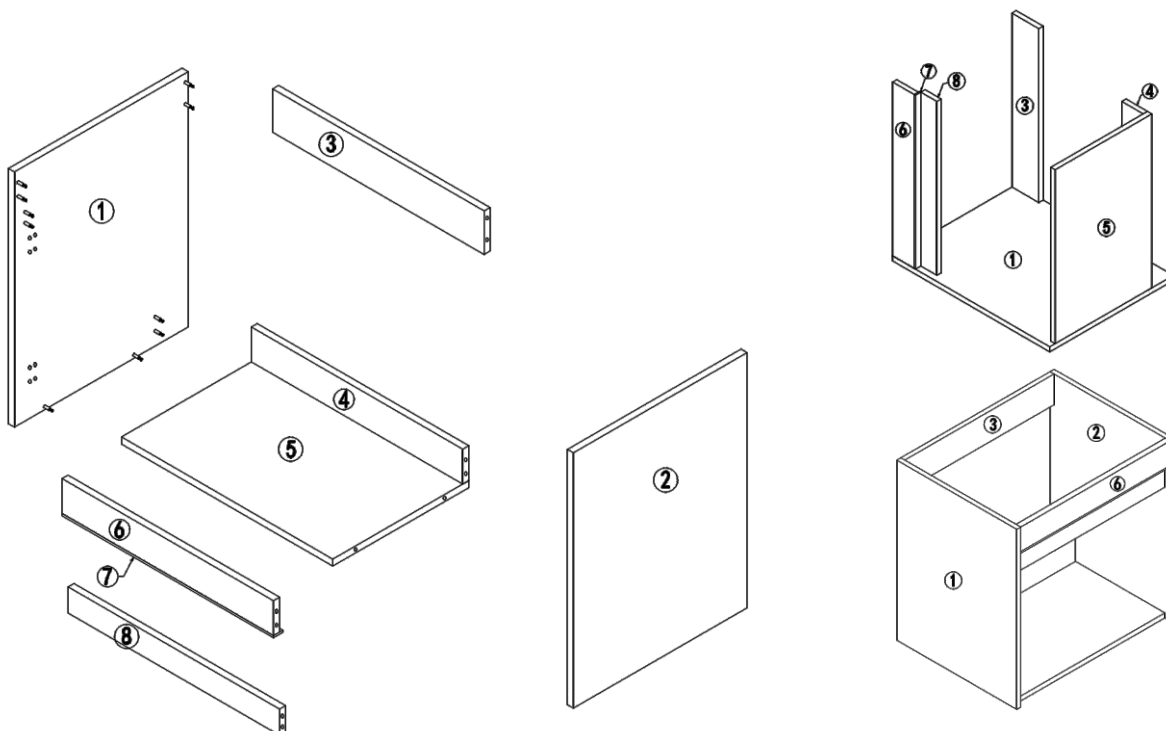
## 2. Assemble bottom panel

Connect the rear bottom bar (4) to the bottom panel (5) Use 2 cam locks (B) to secure in the place.  
 Connect the aluminum bar (7) to the front top bar (6) use 2 screw (E) to secure in the place



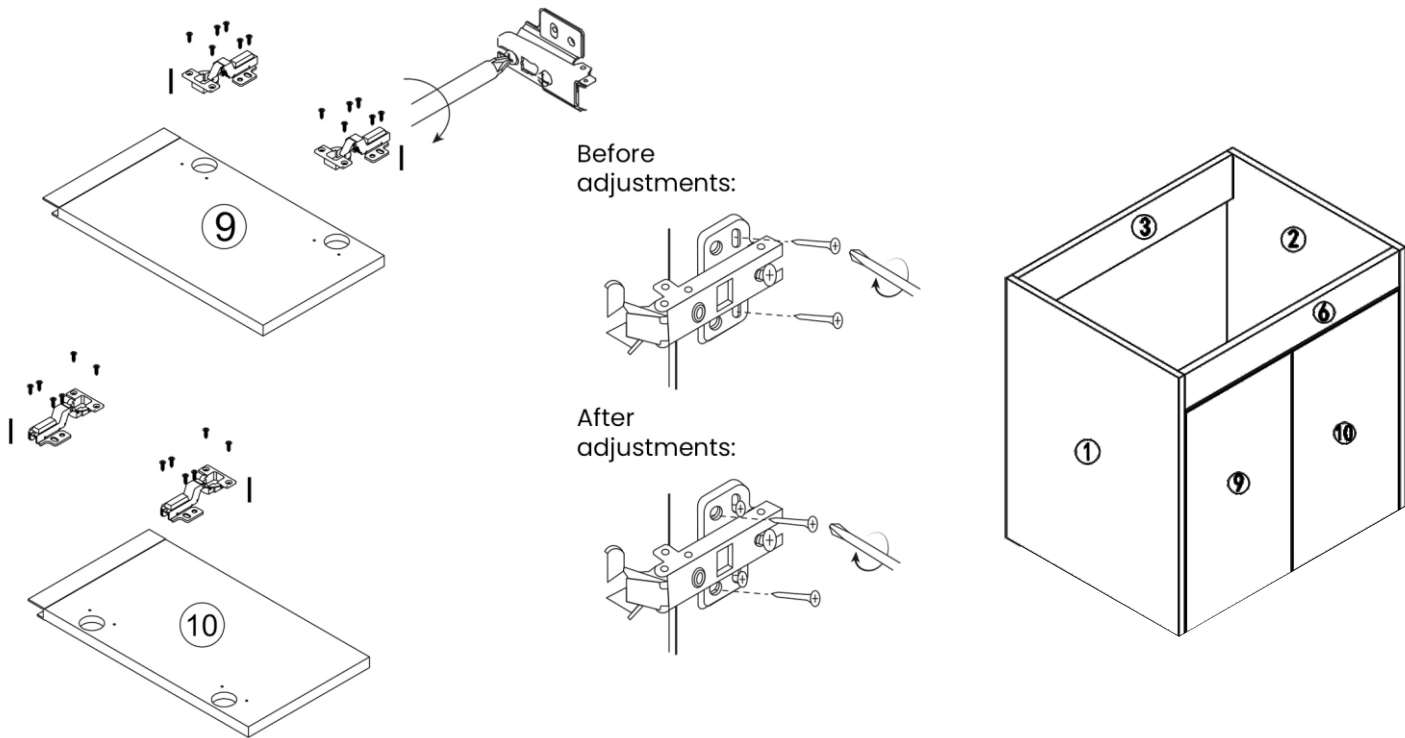
## 3. Assemble Base

Attach the bottom panel and rear bottom bar to the left side panel (1) and secure using 4 cam locks (B)  
 Attach the rear top bar (3) to the left side panel (1) and secure using 4 cam locks (B)  
 Attach the front inner top bar (8) to the left side panel (1) and secure using 2 cam locks (B)  
 Attach the front top bar to the left side panel (1) and secure using 2 cam locks (B)  
 Repeat the process to the right side panel (2) using an additional 7 cam locks (B)



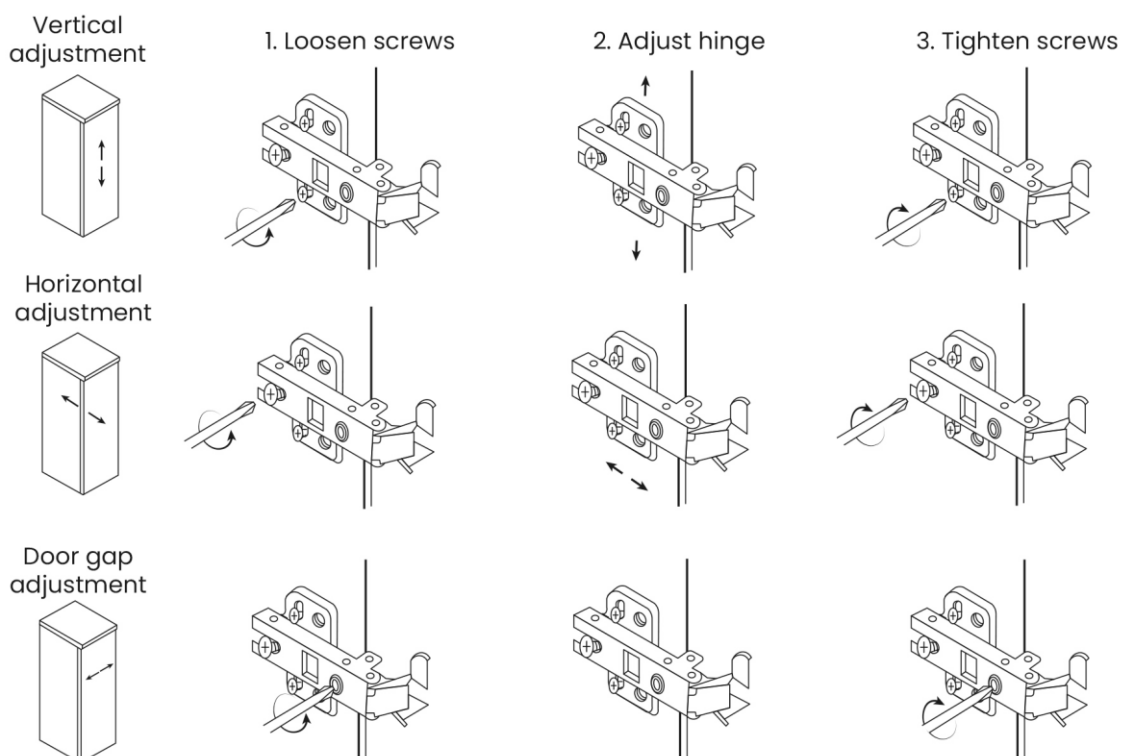
## 4. Attach Doors

- Install 2 hinges (I) to both the left door (9) and the right door (10) using 2 screws per hinge.
- Use an additional 4 screws per hinge to attach the left door (9) and right door (10) to the cabinet. If the door does not align properly, adjust the hinges according to the diagrams below. Once adjustments have been completed, secure the hinges using 2 screws (G) each.



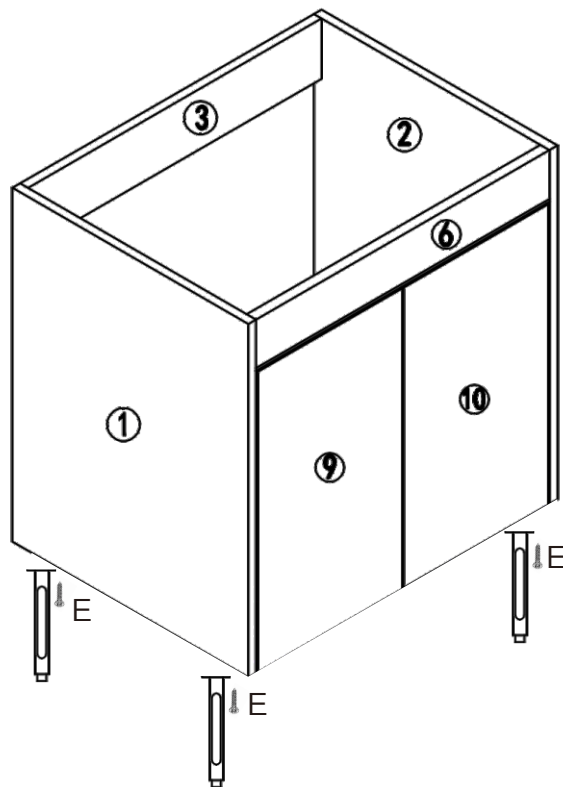
## Hinge/Door Adjustment and Realignment

- If adjustment or realignment is needed, follow the instructions provided in the following chart.



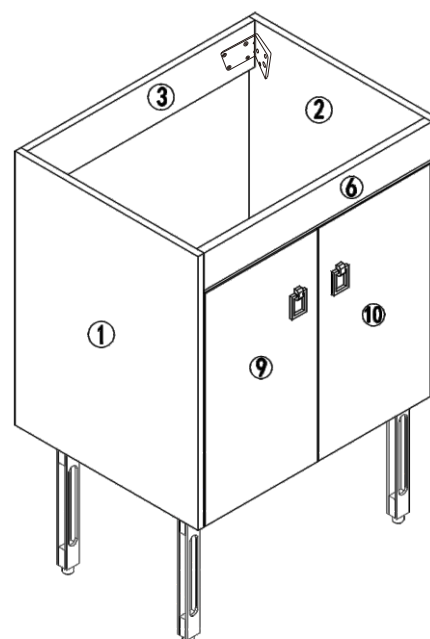
**5. Attach Legs**

Invert the cabinet and assemble the legs (H) to the bottom panel with necessary screws (E)



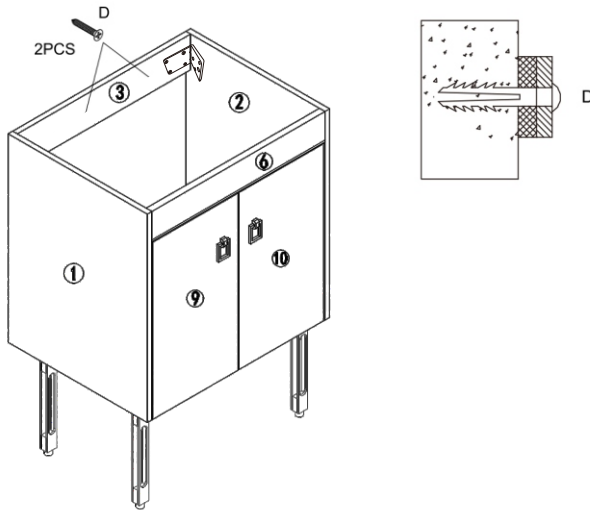
**5. Install Door Handle**

Install 2 door handle (G) to the door panel and secure using 4 screw (J)  
 Use 7 screws (E) secure left side panel and rear top bar with iron sheet  
 Repeat for the right side panel



## 7. Secure vanity to wall

- Attach 2 screws (D) to the rear top bar (4) .
- Mark desired mounting location on wall and ensure placement is level.



### Option 1: Securing to Drywall

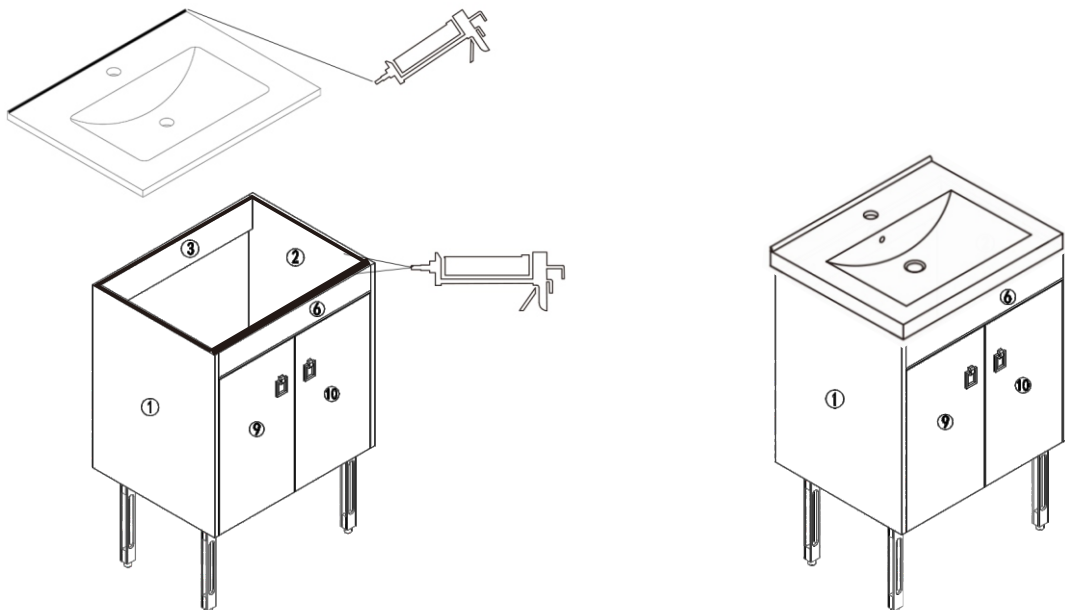
- Position cabinet against wall in desired location.
- Move cabinet away from the wall. Create a pilot hole in each mark on the wall, then insert the plastic anchor.
- Place cabinet against the wall, insert a screw into each hole in the wall, then tighten to plastic anchors to secure the vanity.

### Option 2: Securing to Drywall & Wood Stud

- Position cabinet against wall in desired location, be sure desired mounting location aligns with existing wood studs.
- Insert screw through the holes. then tighten through the drywall into the wood stud. Repeat this step for the other metal bracket to secure the vanity.

## 8. Vanity Top Installation

- Install faucet and drain according to manufacturer's installation instructions. Do not overtighten, this may cause the sink to crack.
- Set the vanity top on top of the vanity base, checking the location of the p-trap and drain.
- Remove vanity top from vanity base. Apply a thin bead of silicone around the vanity base and set the vanity top carefully in place.
- Remove excess silicone with a wet cloth.



Wait 24 hours before use.





1-434-MADISON  
(623-4766)

[www.swissmadison.com](http://www.swissmadison.com)

## ONE YEAR LIMITED WARRANTY

Swiss Madison® products are made with quality materials and excellent craftsmanship to provide our customers with beautiful, durable, long-lasting products. Should there be any defects in materials or craftsmanship under regular use that are discovered within the first year of installation, Swiss Madison® will provide replacement parts at no charge, or at its discretion, replace any product or part of the product that is deemed defective, under normal installation, use, service or maintenance. This warranty applies only to the original purchaser. Proof of purchase will be required in the instance of a claim.

Swiss Madison® recommends all installations of Swiss Madison® products to be conducted by a licensed, professional plumber or contractor. Swiss Madison® will not be held responsible for any damage or product failure due to improper installation, misuse, or failure to utilize a licensed professional for installation. Swiss Madison® is not responsible for any installation or removal costs.

### This One Year Limited Warranty Will Be Voided If:


- The installation recommendations were not followed by the installer
- The product has been moved from its initial place of installation
- The product has in any way been modified from its packaged state
- The product has been subjected to improper maintenance, abuse, misuse, excessive use of chemicals, accidents, or other damages, etc.

Swiss Madison® makes no implication that its products comply with any local building or plumbing codes. It is the consumer's responsibility and obligation to determine local code compliance prior to and during installation. This warranty extends only to the original purchaser and first consumer.

Swiss Madison® is not responsible for any special, incidental or consequential damages associated with the installation, replacement, return or use of the original purchaser's product. This includes, but is not limited to: freight costs, labor, travel time, lost profit, home damages and other contingent liabilities and costs (including, without limitation, costs associated with 'professionals' or 'experts', investigations, audits, analyses, attorneys and any other professional/hired services).

The Swiss Madison® warranty is a comprehensive and explicit limit of liability. All items not disclosed within the warranty are not addressable within the responsibility of Swiss Madison®. Certain states have variances regarding implied warranties; in those situations, we remain fully compliant.

**If you have any questions or concerns, please contact us directly at  
1-434-MADISON (623-4766)**

 **WARNING:** Contents of your order may contain sharp and possibly other harmful pieces and may cause hazard to children and adults. Swiss Madison® is not responsible in any way for personal damages.