

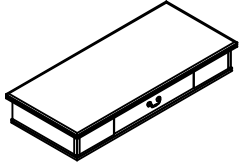
**ASSEMBLY INSTRUCTIONS
DESK**

**DIMENSIONS
W30" x D 20" x 30-1/2"H**

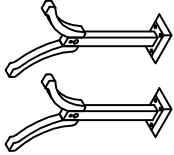
DO NOT FULLY TIGHTEN BOLTS AND NUTS UNTIL THE ENTIRE ITEM IS COMPLETELY ASSEMBLED

PART LIST

(A) Desk top (1pc)



(B) Desk leg (2pcs)



(C) Stretcher (1pc)



HARDWARE LIST

Long Bolt



(1) Ø1/4" x 60mm
(2pcs)

Short Bolt



(2) Ø1/4" x 40mm
(8pcs)

Flat Washer



(3) Ø5/16" 19mm
(8pcs)

Spring Washer



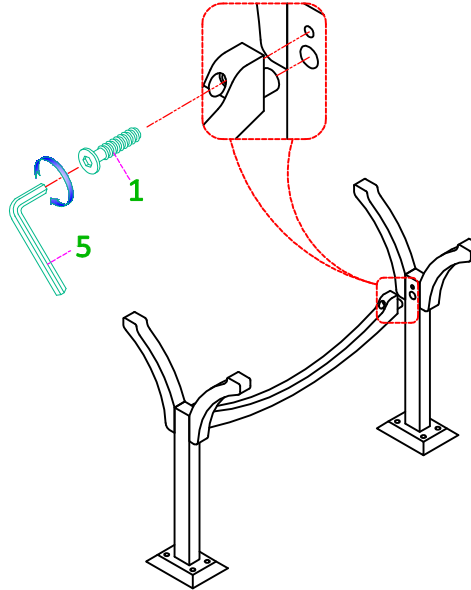
(4) Ø5/16" x13mm
(8pcs)

Allen Key

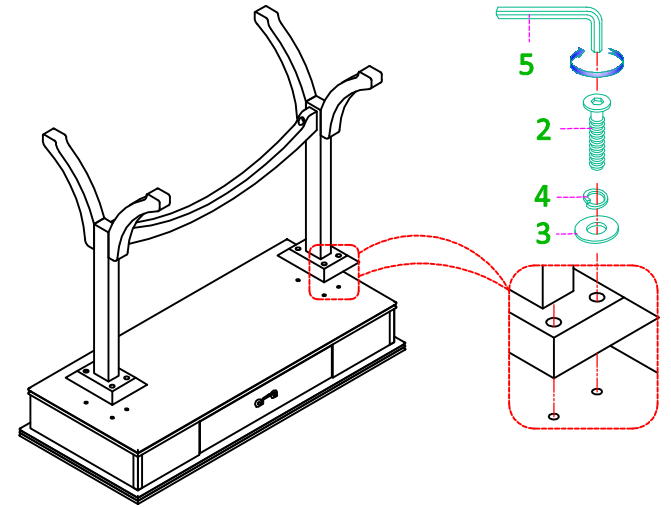


(5) 4mm (1pc)

STEP 1



STEP 2



COMPLETE

