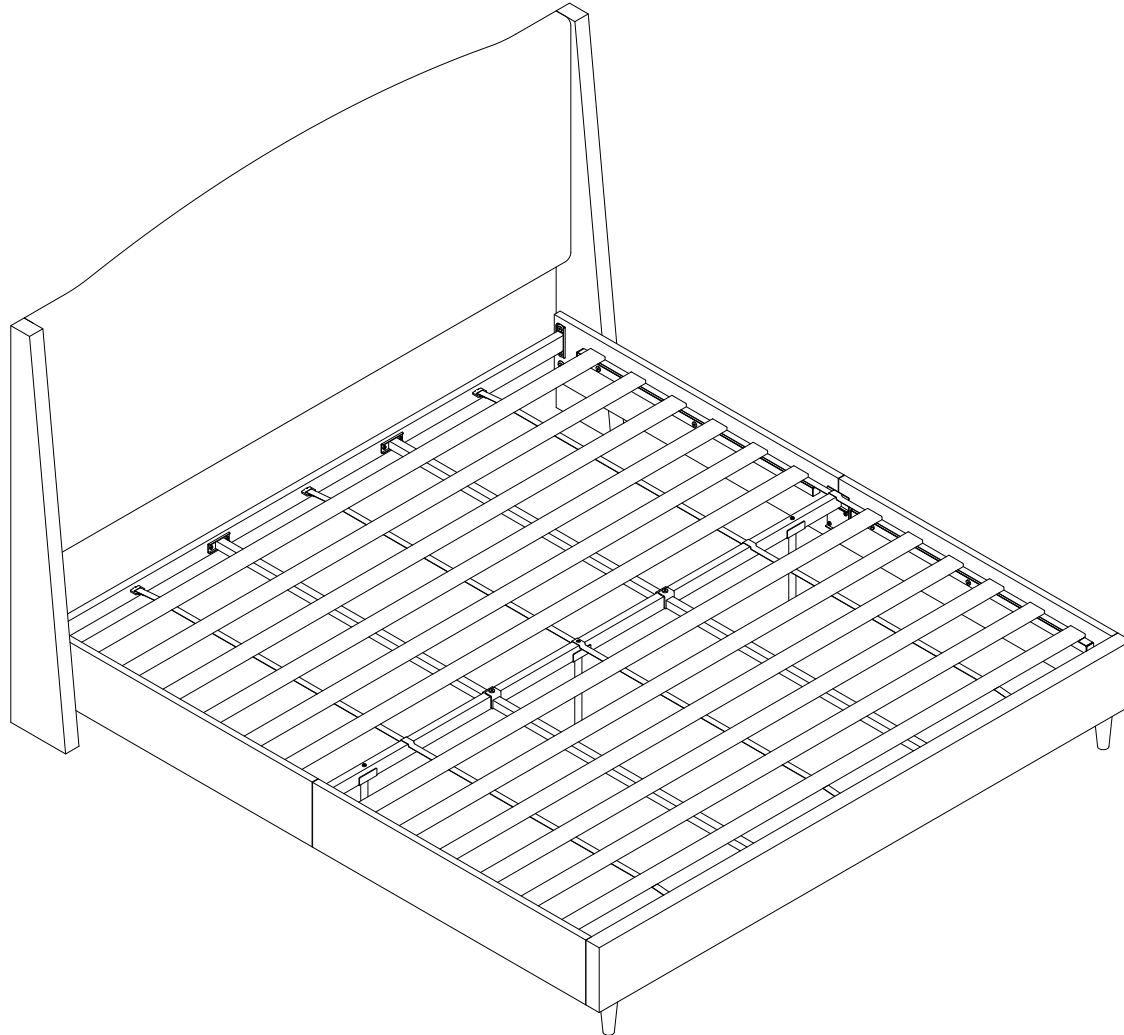


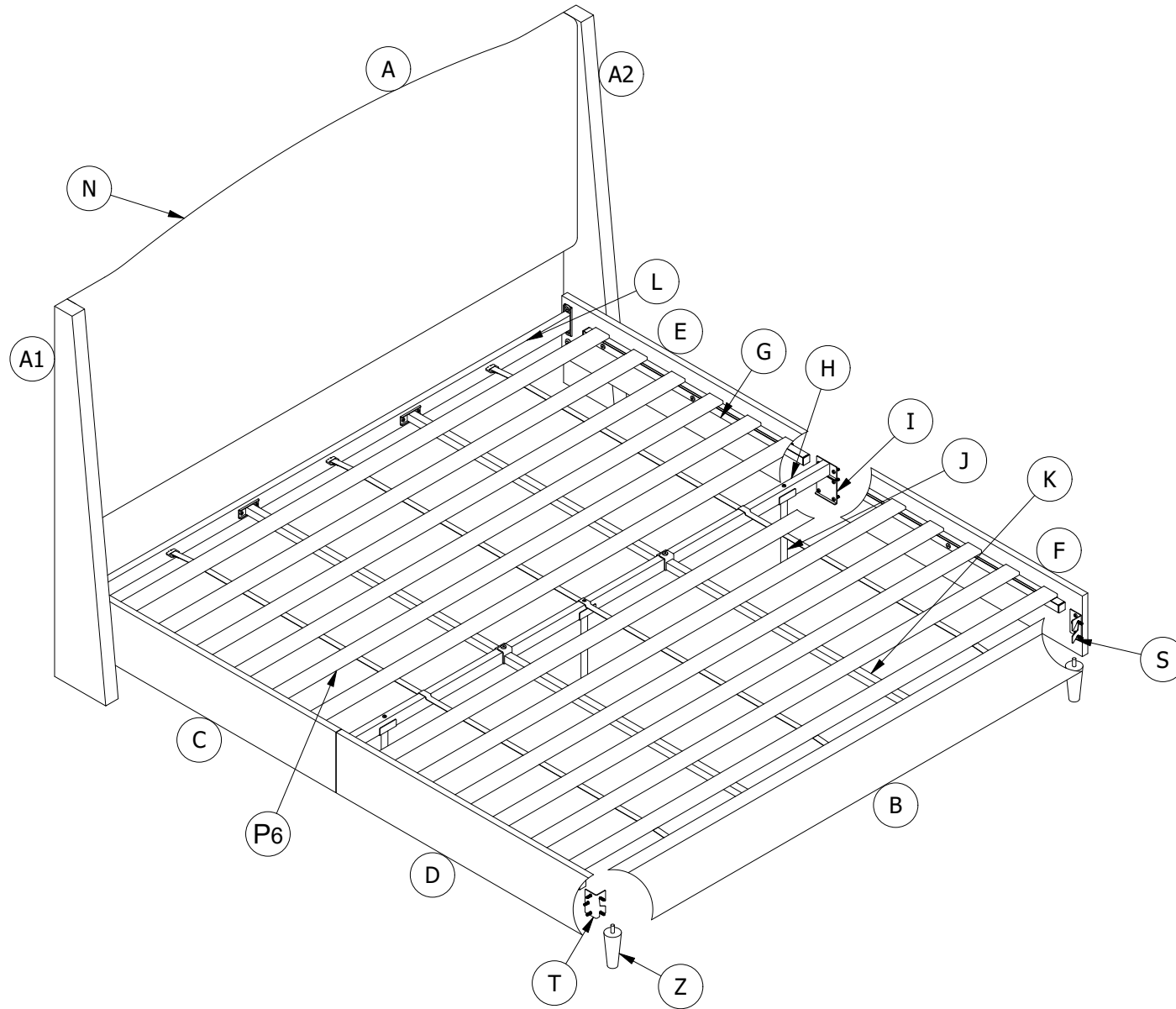
# Upholstered Bed

## King

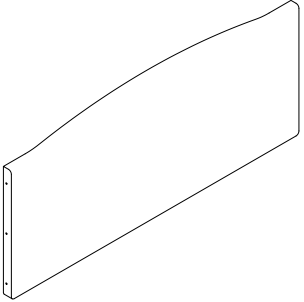
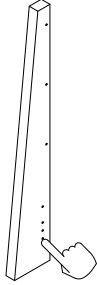
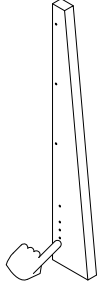
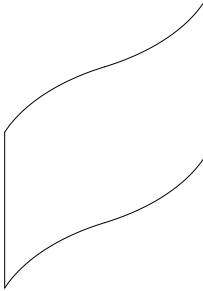
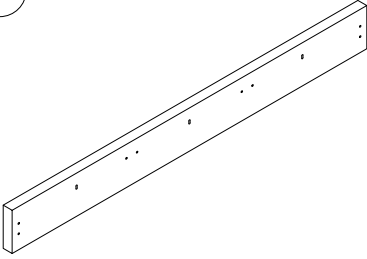
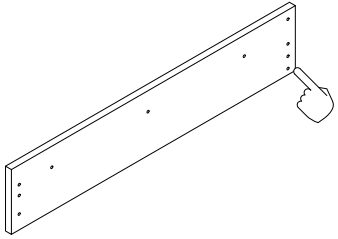
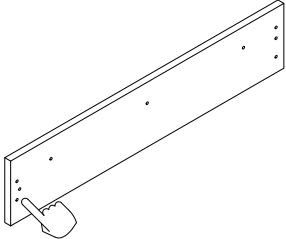
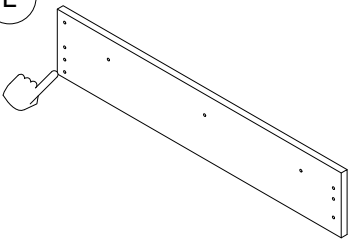
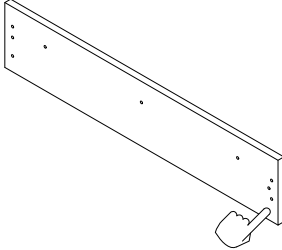
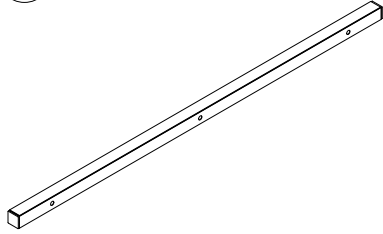
**Weight Limit:**  
Bed: 1000LBS / 454KG



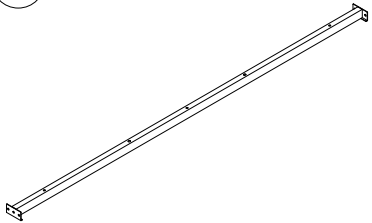
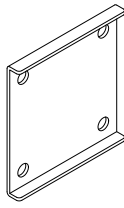
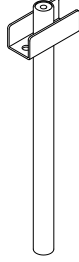
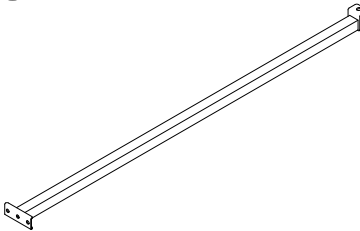
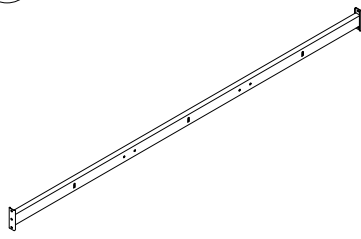
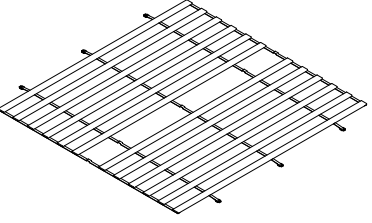
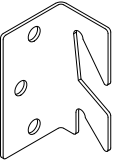
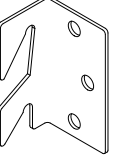

# PARTS



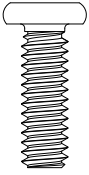
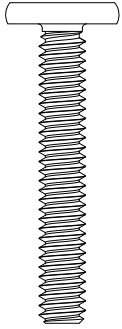
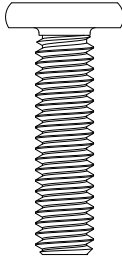
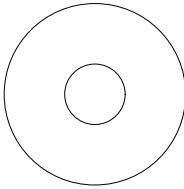


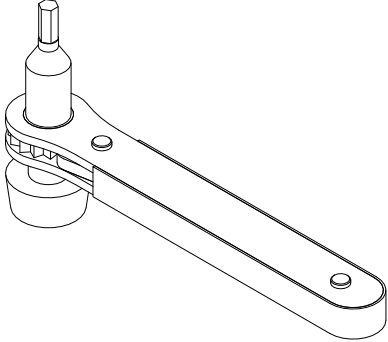
# PARTS LIST

 <p>Diagram A shows a rectangular headboard with a curved top edge and a small notch on the left side.</p>	 <p>Diagram A1 shows a narrow, tapered side board with a small notch on the right side.</p>	 <p>Diagram A2 shows a narrow, tapered side board with a small notch on the left side.</p>	 <p>Diagram N shows a rectangular back cover with curved top and bottom edges.</p>	 <p>Diagram B shows a long, narrow footboard with a small notch on the right side.</p>
<p>Headboard 1 PC</p>	<p>Side Board 1 PC</p>	<p>Side Board 1 PC</p>	<p>Back Cover 1 PC</p>	<p>Footboard 1 PC</p>
 <p>Diagram C shows a long, narrow side panel with a small notch on the right side.</p>	 <p>Diagram D shows a long, narrow side panel with a small notch on the left side.</p>	 <p>Diagram E shows a long, narrow side panel with a small notch on the left side.</p>	 <p>Diagram F shows a long, narrow side panel with a small notch on the right side.</p>	 <p>Diagram G shows a long, narrow side rail with a small notch on the right side.</p>
<p>Side Panel 1 PC</p>	<p>Side Panel 1 PC</p>	<p>Side Panel 1 PC</p>	<p>Side Panel 1 PC</p>	<p>Side Rail 4 PCS</p>

# PARTS LIST

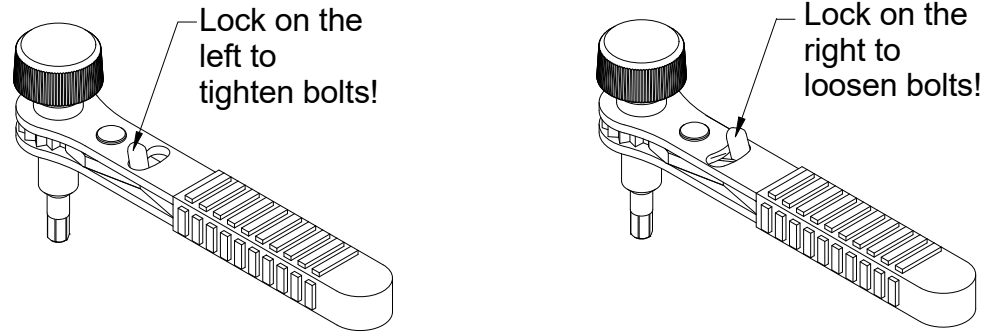
<p style="text-align: center;">(H)</p> 	<p style="text-align: center;">(I)</p> 	<p style="text-align: center;">(J)</p> 	<p style="text-align: center;">(K)</p> 	<p style="text-align: center;">(L)</p> 
<p style="text-align: center;">Center Rail 1 PC</p>	<p style="text-align: center;">Connector 2 PCS</p>	<p style="text-align: center;">Support Leg 3 PCS</p>	<p style="text-align: center;">Center Rail 4 PCS</p>	<p style="text-align: center;">End Rail 1 PC</p>
<p style="text-align: center;">(P6)</p> 	<p style="text-align: center;">(S)</p> 	<p style="text-align: center;">(T)</p> 	<p style="text-align: center;">(Z)</p> 	
<p style="text-align: center;">Wooden Slats 1 PC</p>	<p style="text-align: center;">Bracket 1 PC</p>	<p style="text-align: center;">Bracket 1 PC</p>	<p style="text-align: center;">Leg 2 PCS</p>	

# HARDWARE LIST

<p><b>1</b></p> 	<p><b>2</b></p> 	<p><b>3</b></p> 	<p><b>4</b></p> 	<p><b>5</b></p> 
<p>1/4" X 3/4" Bolt 39 PCS</p>	<p>1/4" X 1 9/16" Bolt 26 PCS</p>	<p>5/16" X 1 3/16" Bolt 2 PCS</p>	<p>1/4" Metal Washer 14 PCS</p>	<p>1/4" Spring Washer 8 PCS</p>
<p><b>6</b></p> 	<p><b>7</b></p> 			
<p>4mm Allen Key 1 PC</p>	<p>4mm Ratchet Wrench 1 PC</p>			

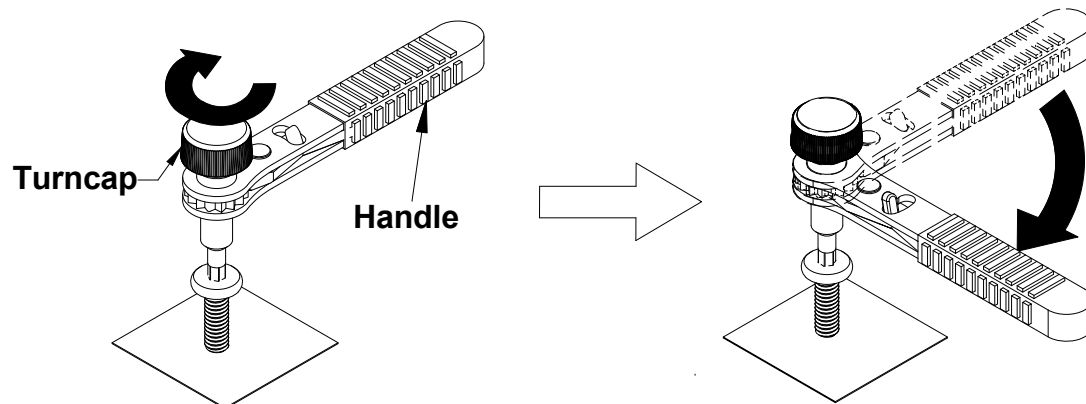
# How To Use The Ratchet

1. Before assembling the furniture, please adjust the lock tool as needed.



2. Tighten or loosen the bolts

- **Tighten bolts** : Locate the turncap (picture) and rotate it clockwise to screw the bolt quickly, until it cannot be rotated any more. Then start rotating with the handle clockwise to finalize tightening the bolts.
- **Loosen bolts** : Rotate the handle counterclockwise to loosen the bolt. Then, to completely remove the bolts, continue rotating with the turncap in the same direction.

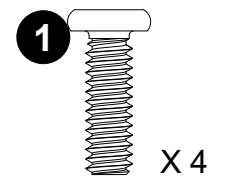
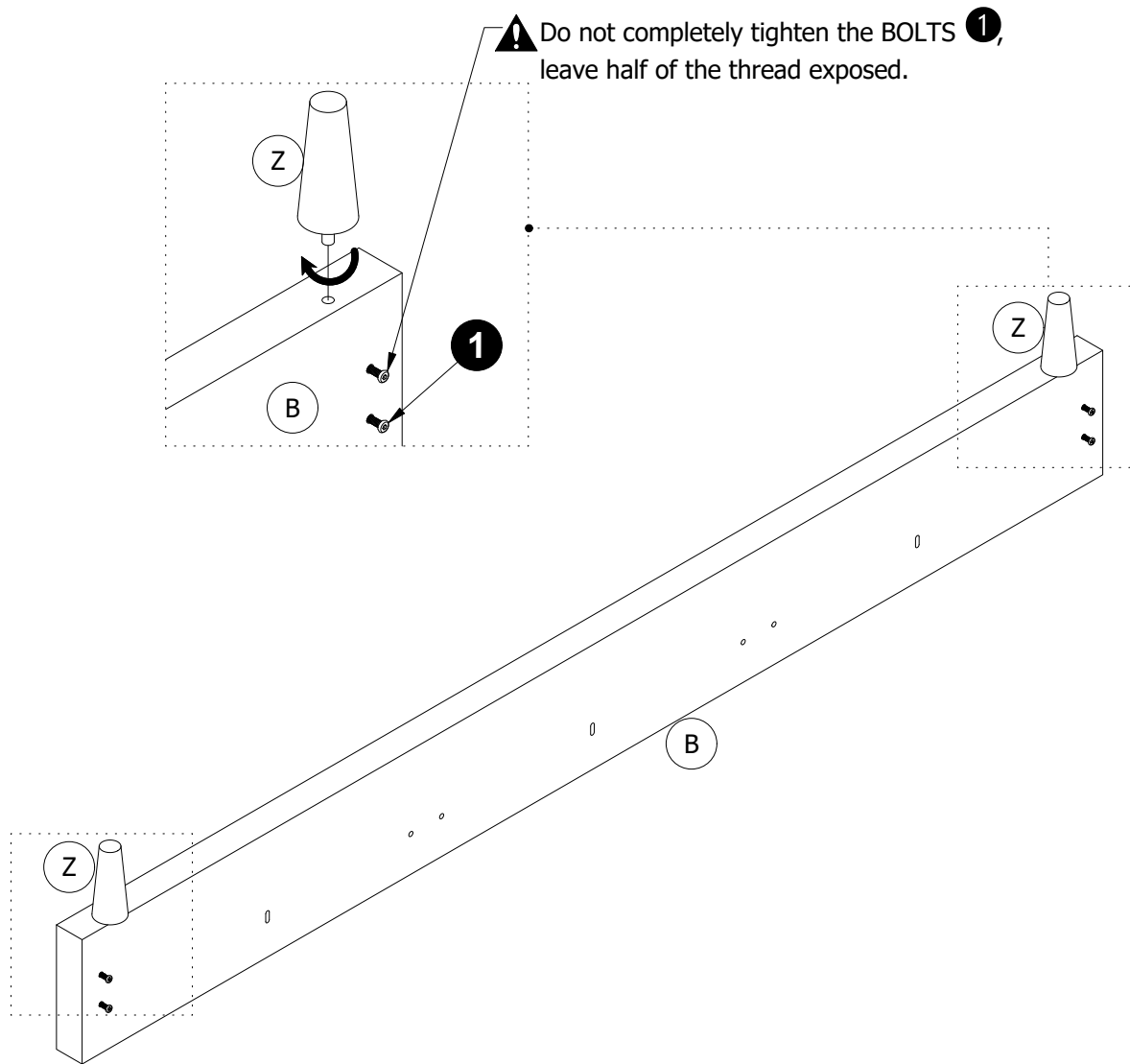


# Helpful Hints

- Before assembling the furniture, please read the instructions on how to use ratchet, it will help you to assemble the furniture quickly.
- Please don't throw away the ratchet in case you may need to use in future.

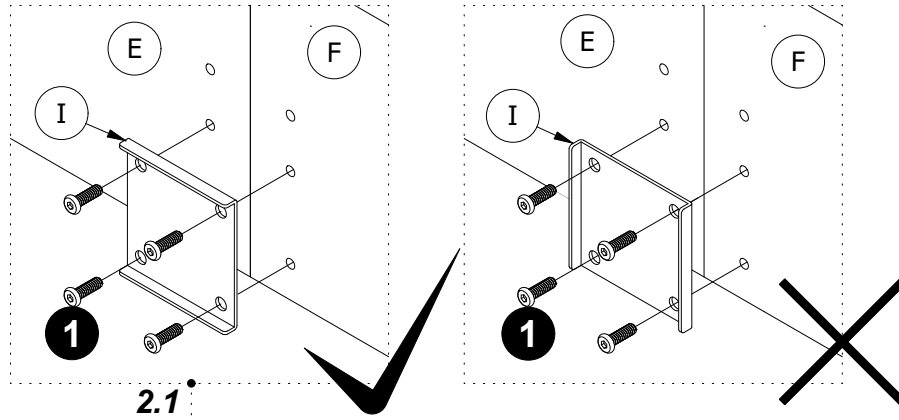
# Step 1

Attach **Z x 2** to **B**.  
Screw **1** into **B** as illustrated, making sure to leave half of the threads exposed.

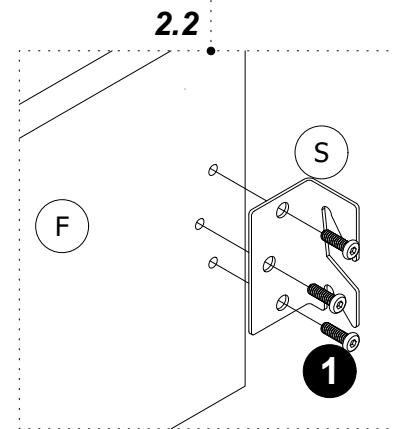
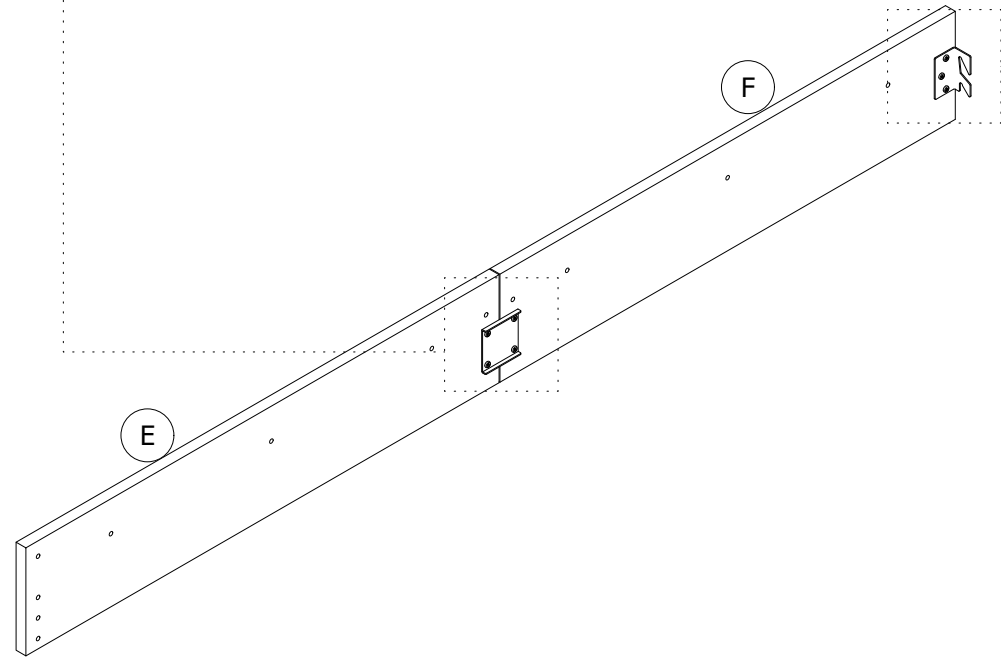


# Step 2

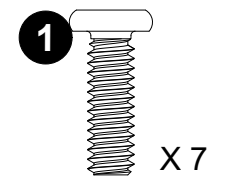
- 2.1 Attach I to E and F with ①.
- 2.2 Attach S to F with ①.



2.1



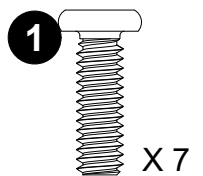
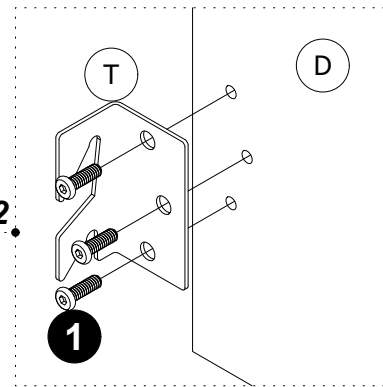
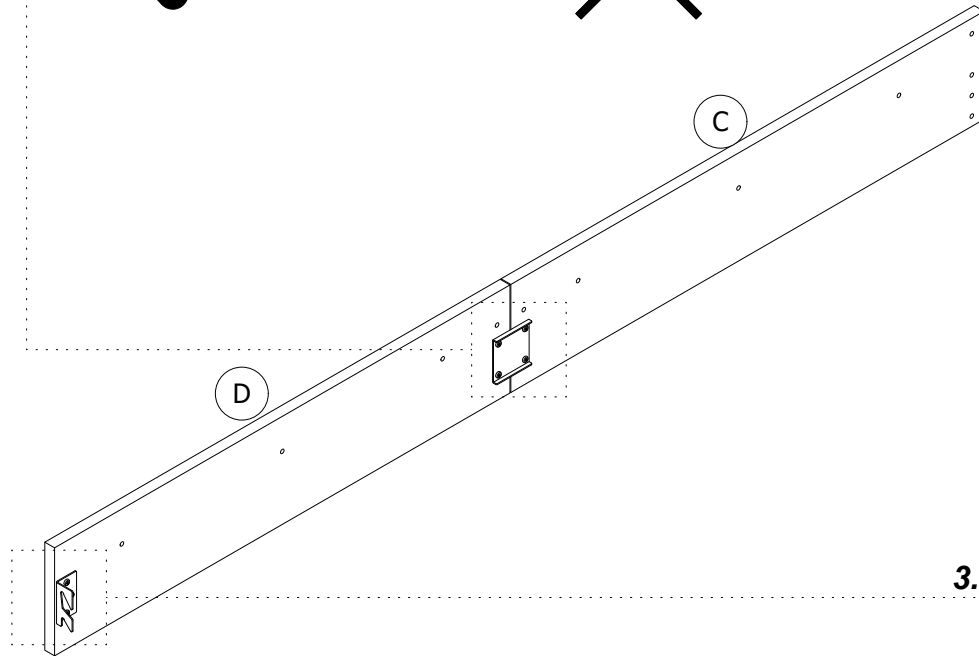
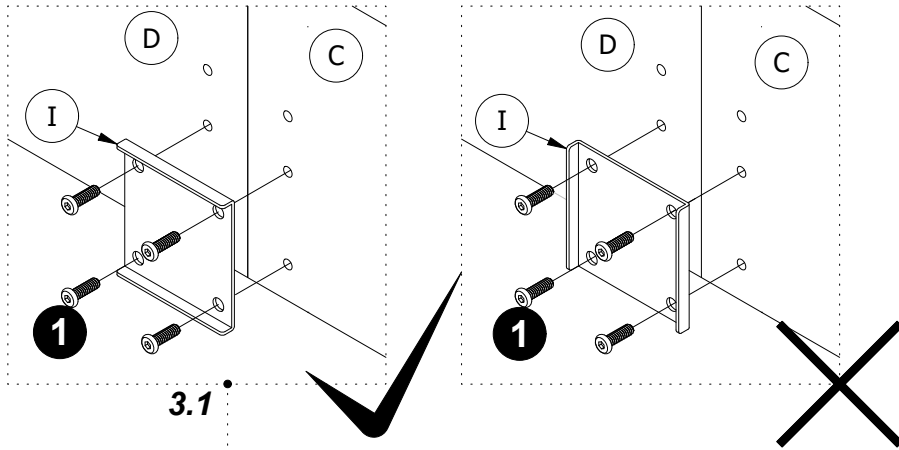
2.2



# Step 3

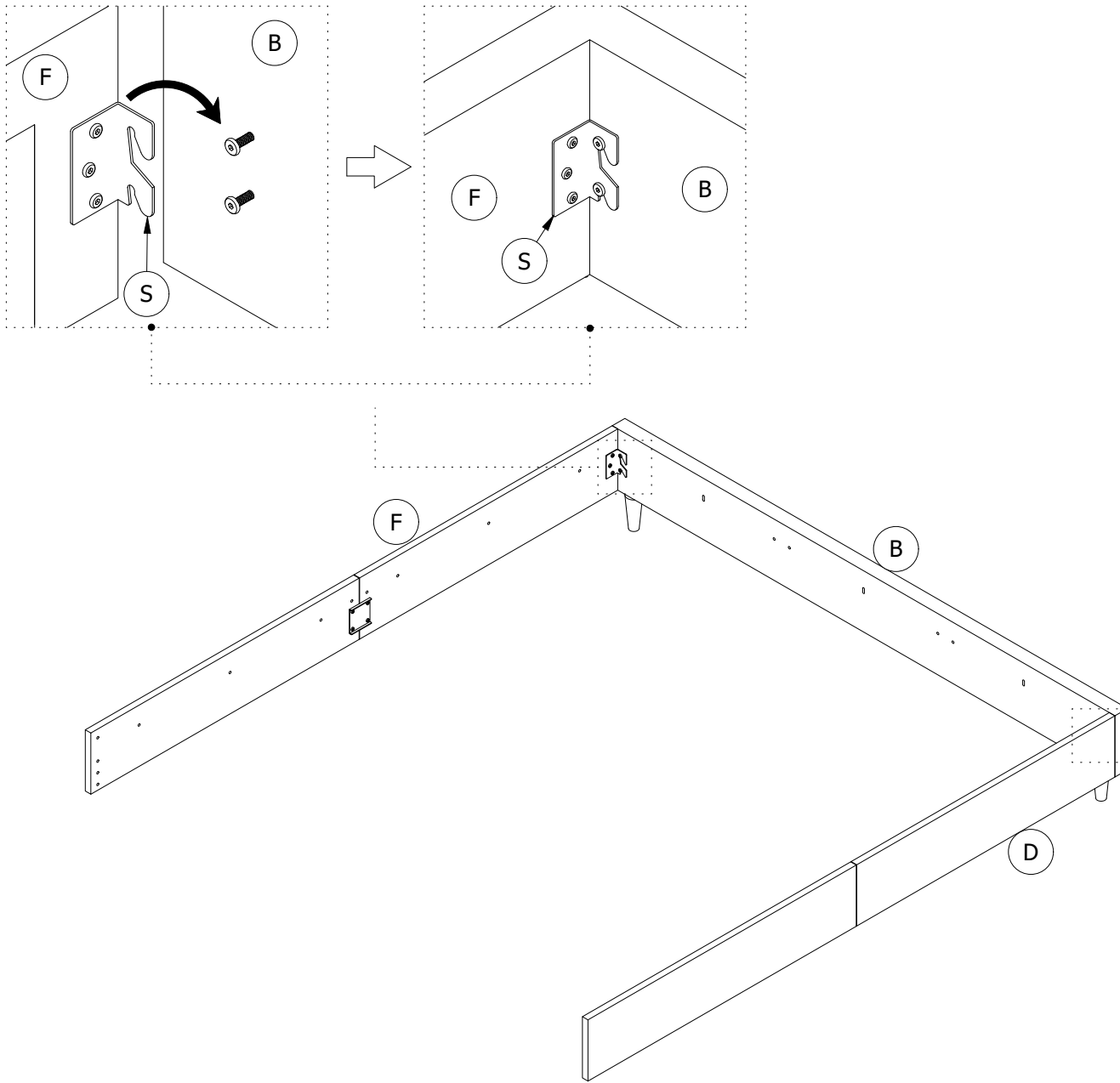
3.1 Attach I to C and D with ①.

3.2 Attach T to D with ①.



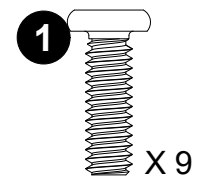
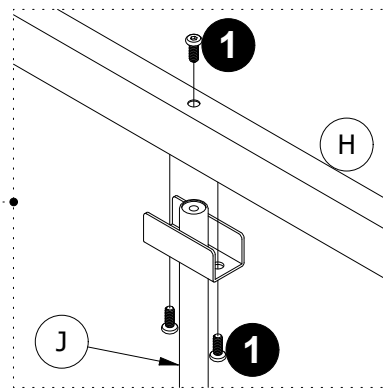
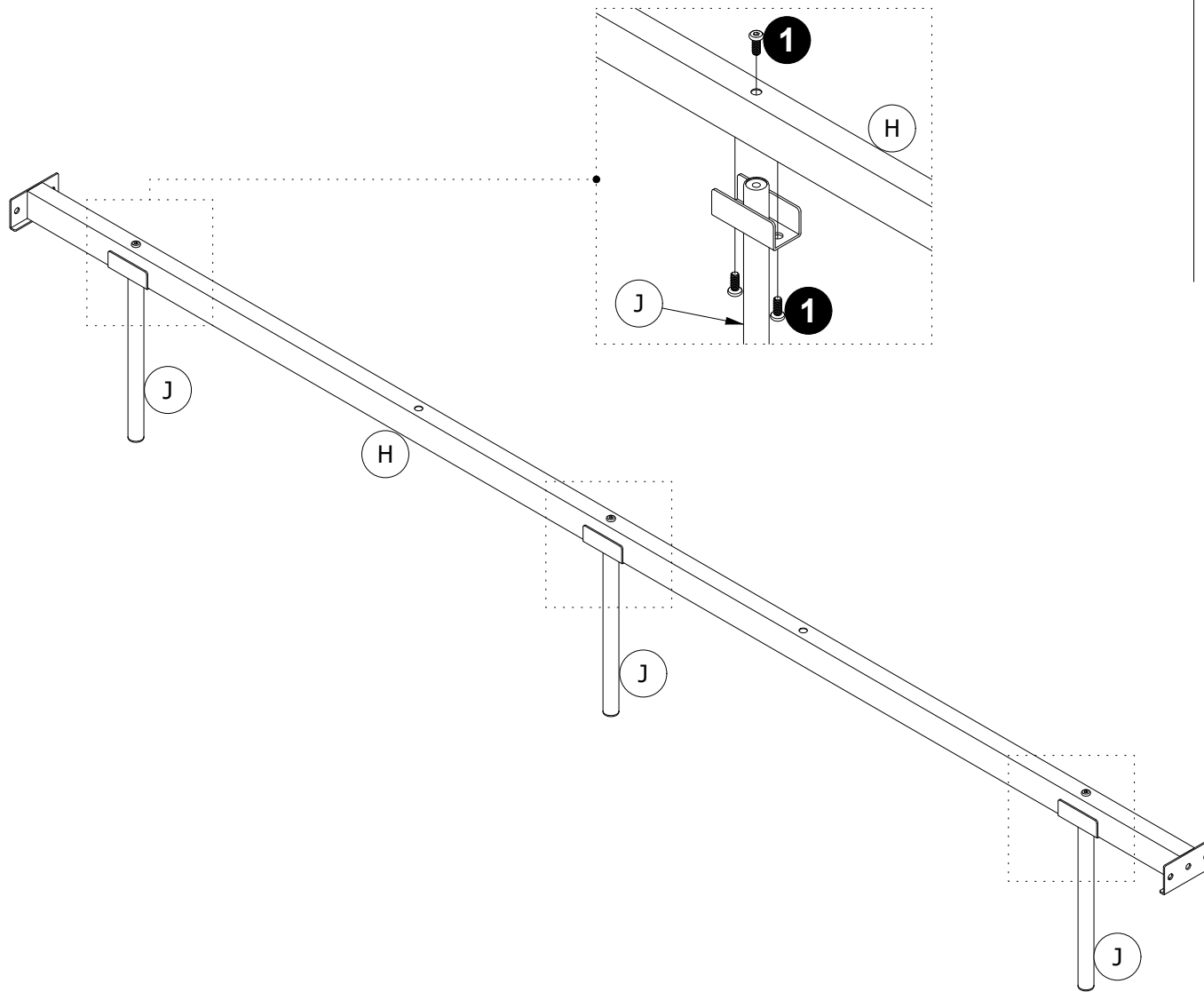
# Step 4

Hang **F** and **D** on **B** as illustrated.  
⚠ Don't completely tighten the bolts until **STEP 12** is complete. This will help with alignment.



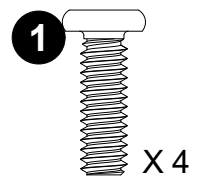
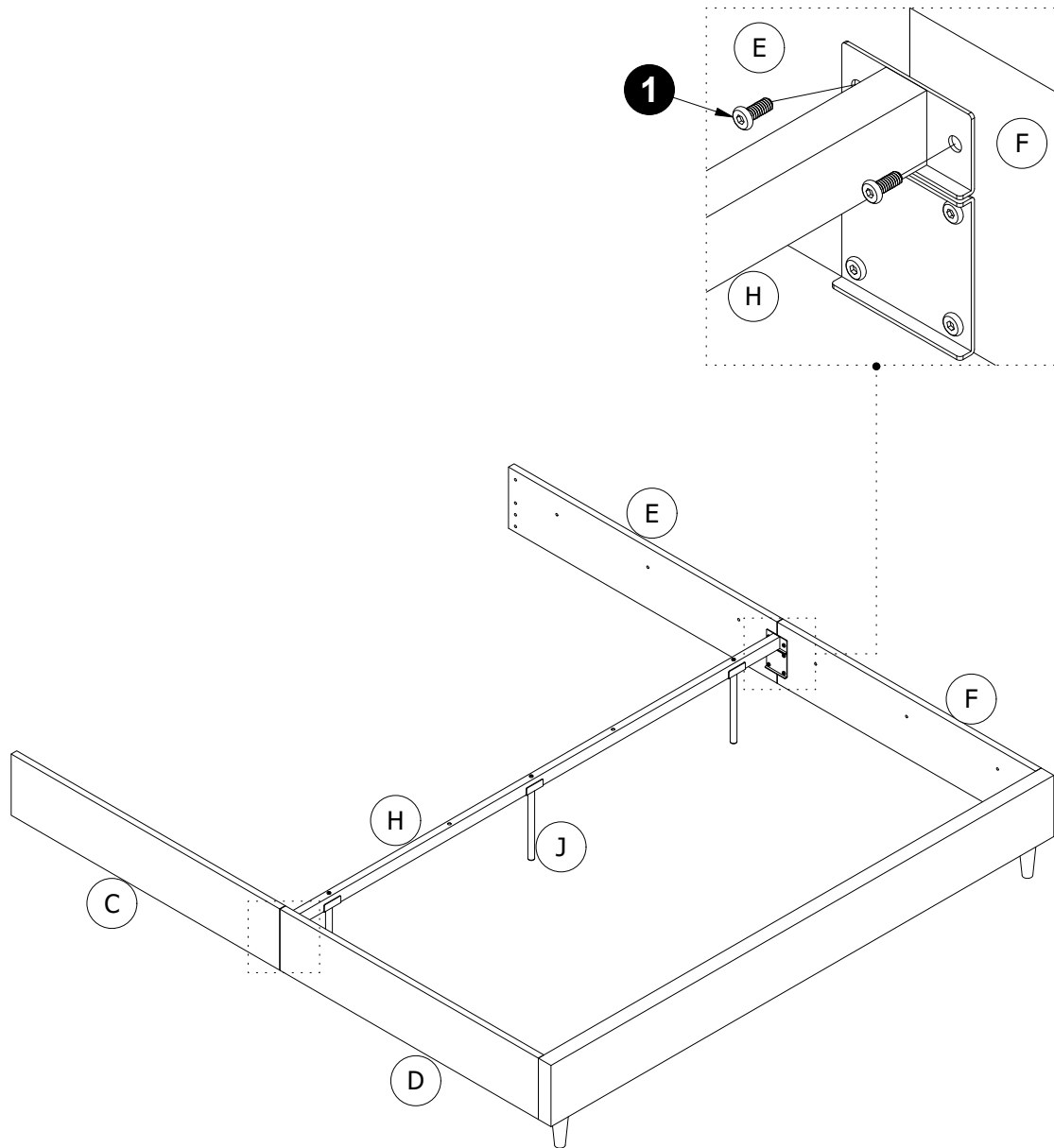
# Step 5

Attach **J** x 3 to **H** with **1**.



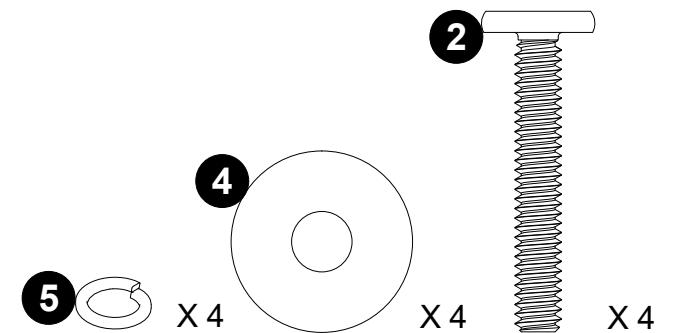
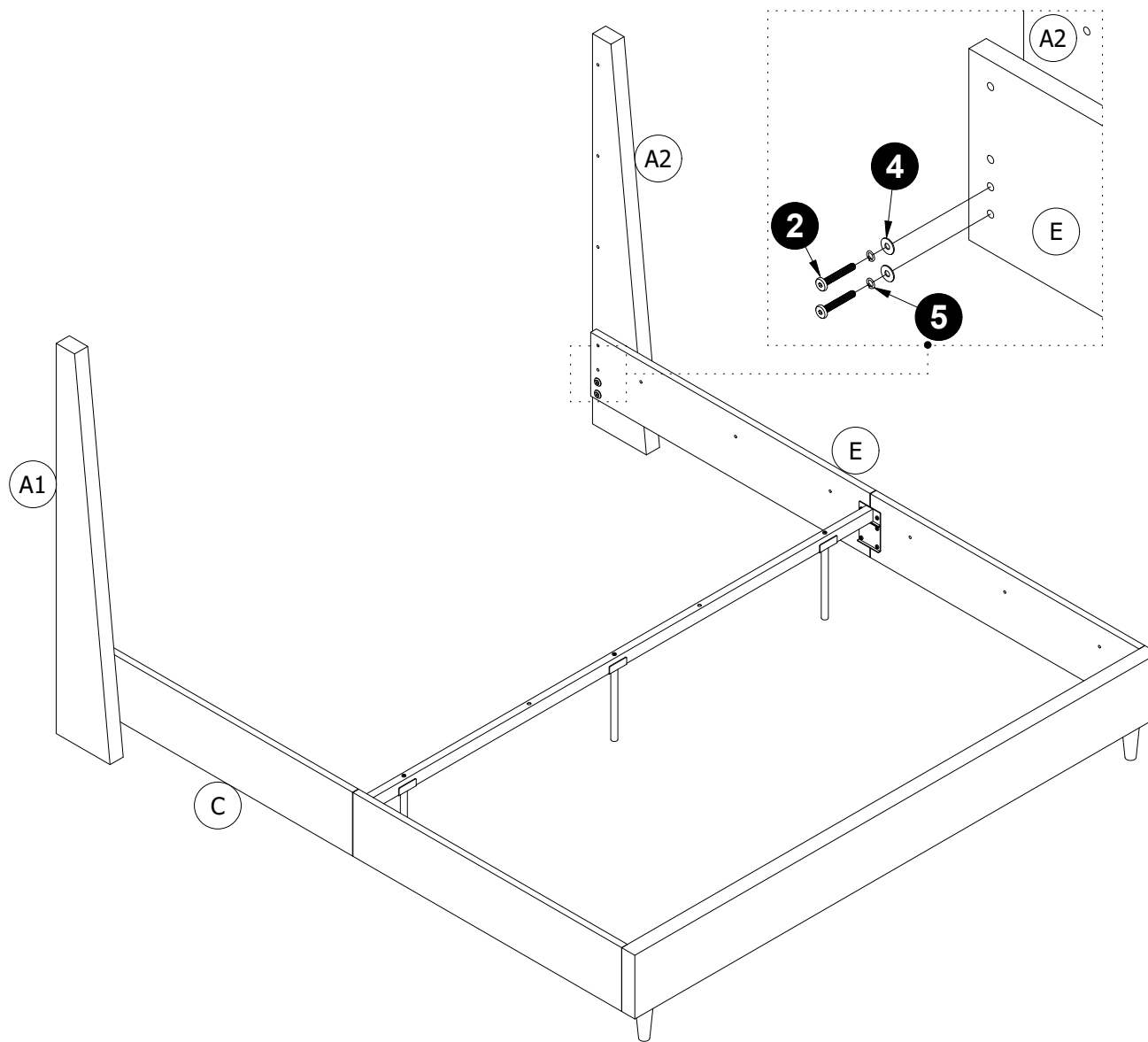
# Step 6

Attach subassembly ( H & J ) from previous step to C/D and E/F with **1**.



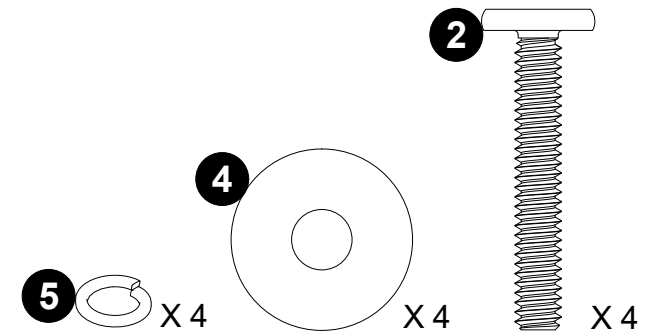
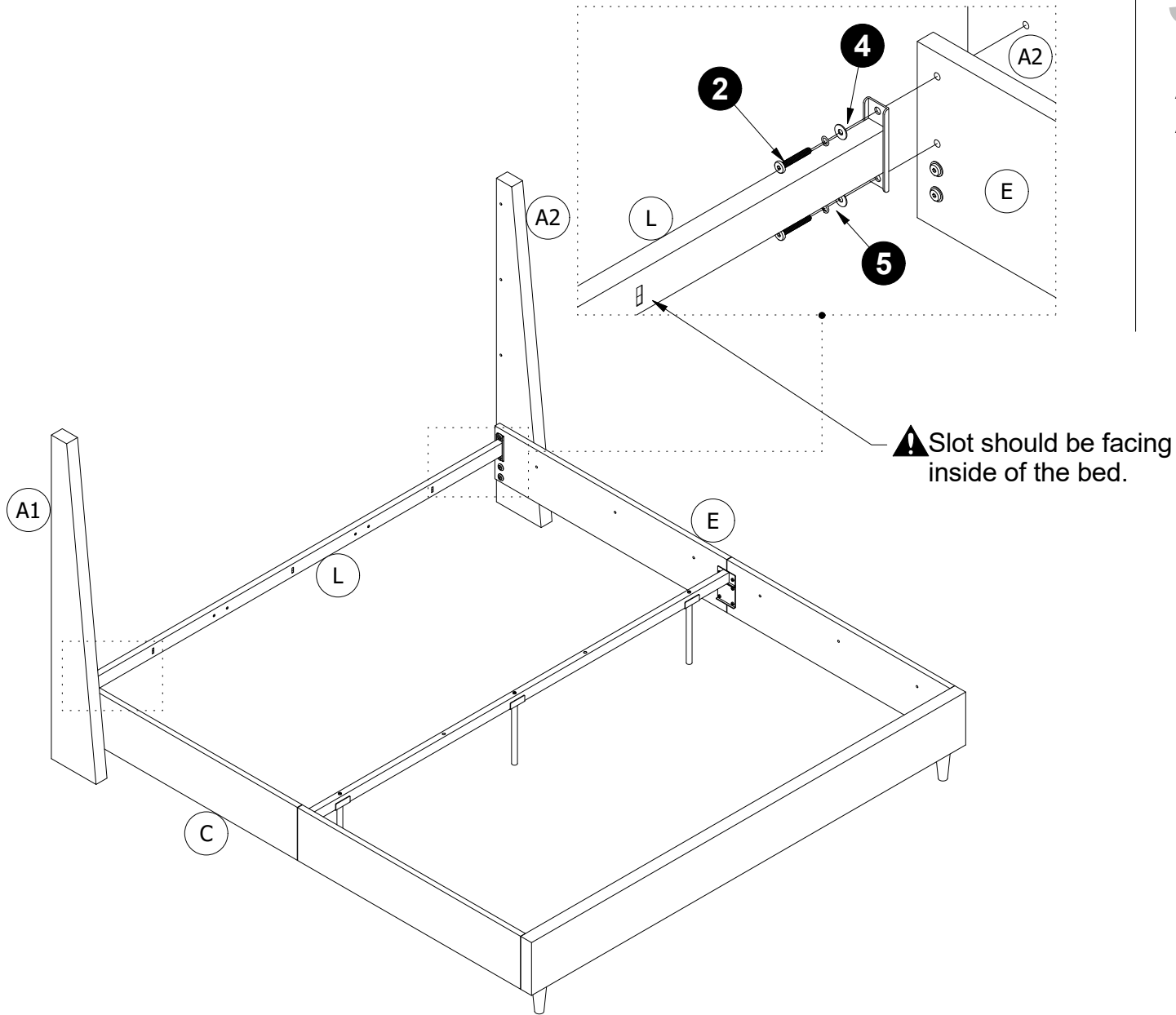
# Step 7

Attach **C** to **A1** with **2** & **4** & **5**.  
Attach **E** to **A2** with **2** & **4** & **5**.



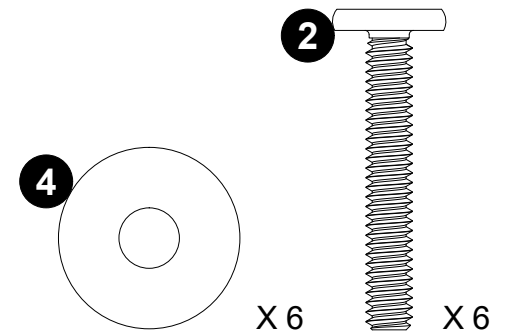
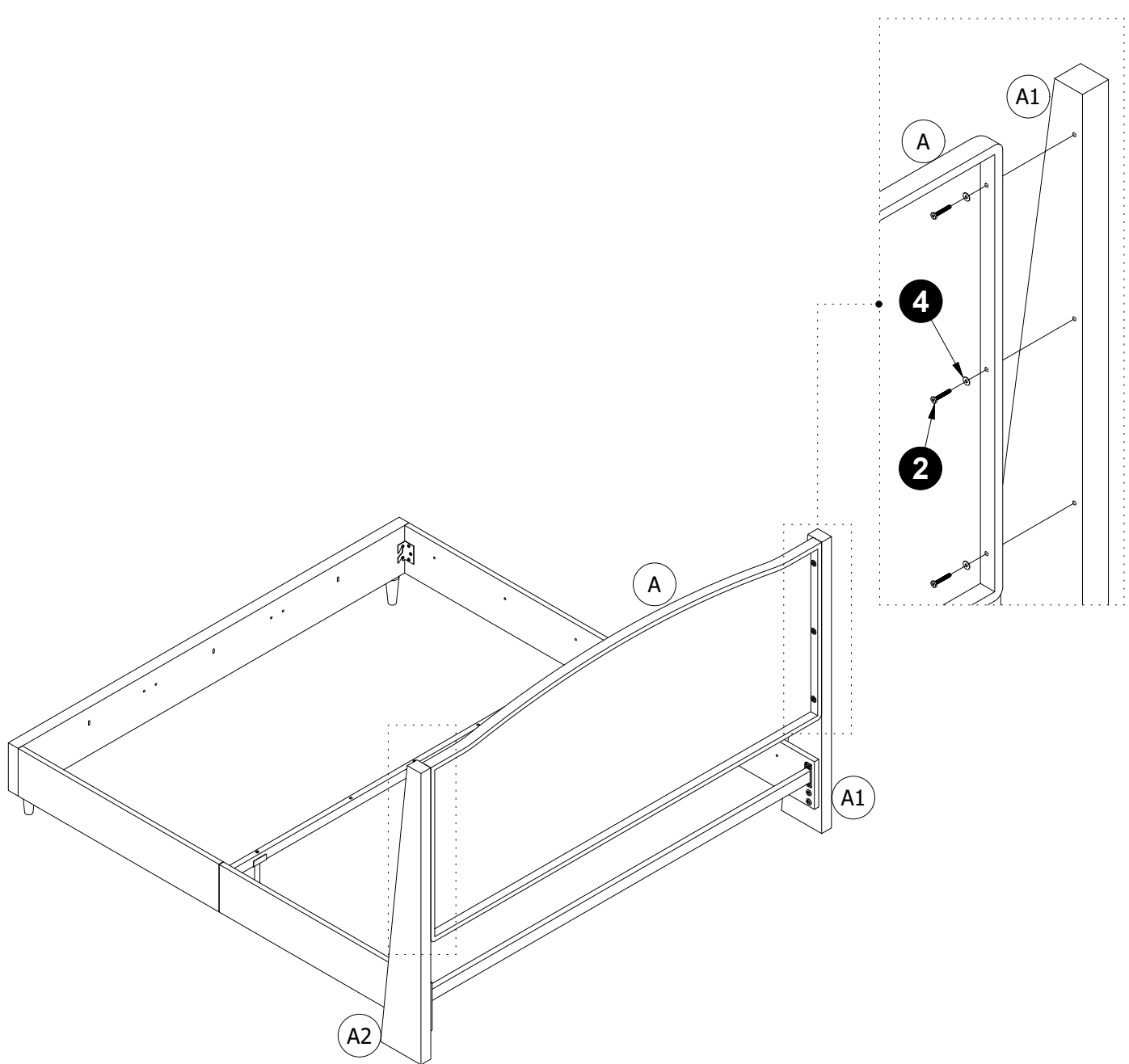
# Step 8

Attach **L** and **C** to **A1** with **2** & **4** & **5**.  
Attach **L** and **E** to **A2** with **2** & **4** & **5**.



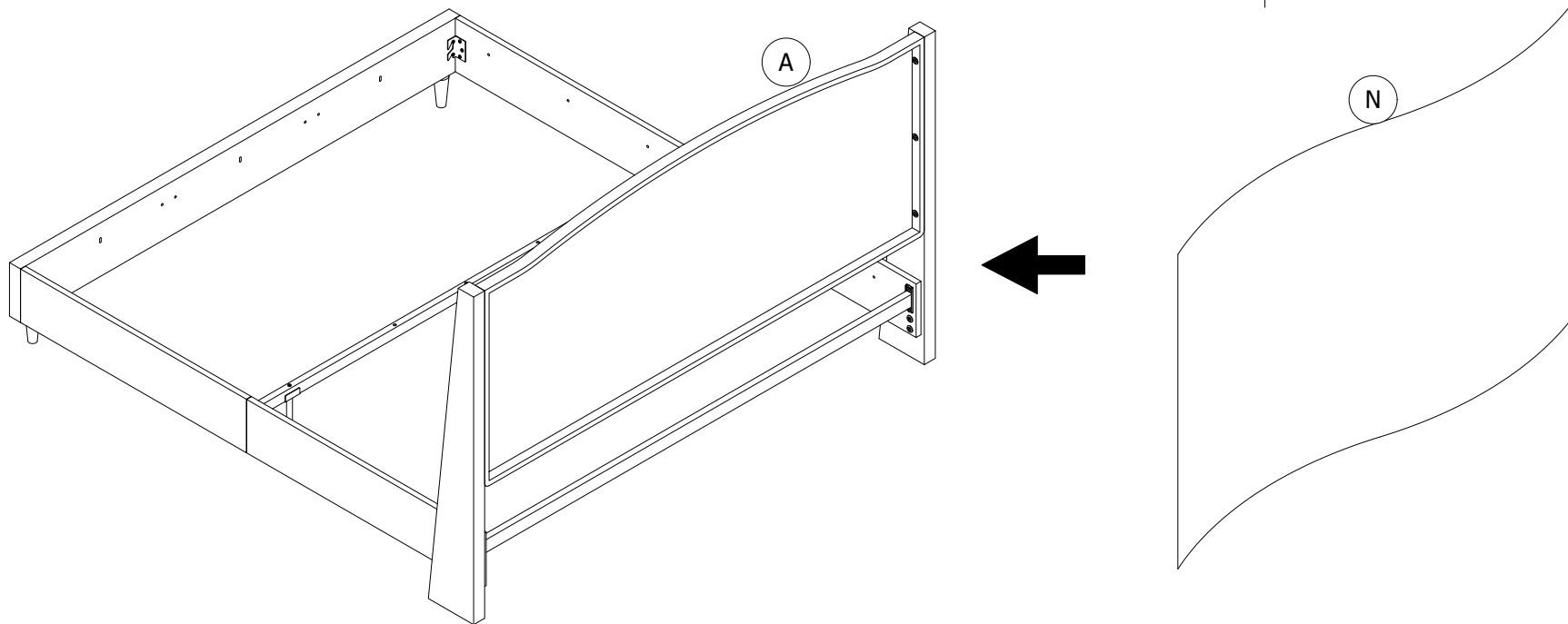
# Step 9

Attach **A** to **A1** and **A2** with **2** and **4**.  
**▲ Fully fasten bolts in this step.**



# Step 10

Stick **N** to the back of **A** with Velcro as illustrated.

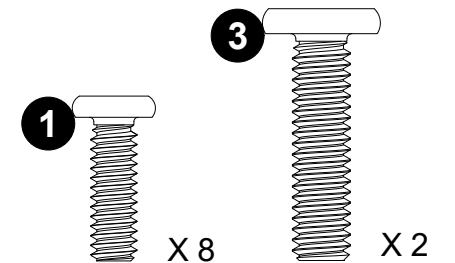
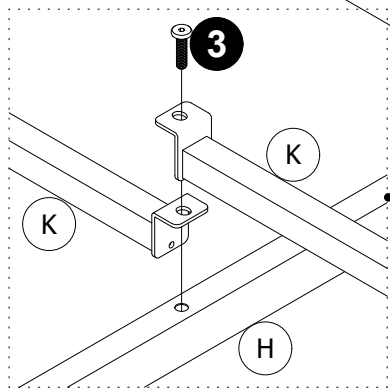
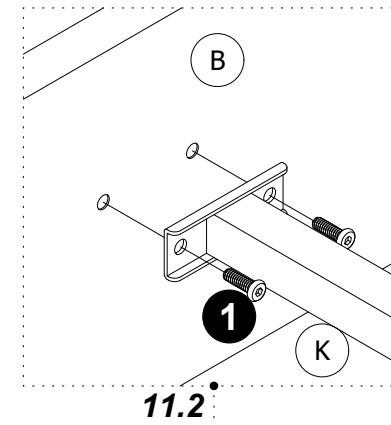
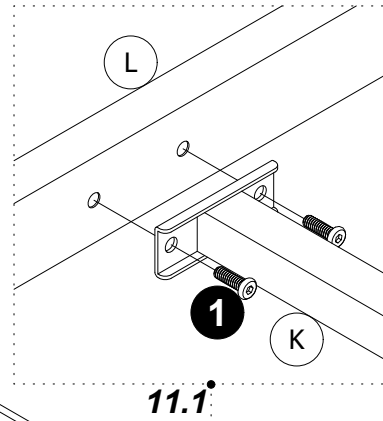
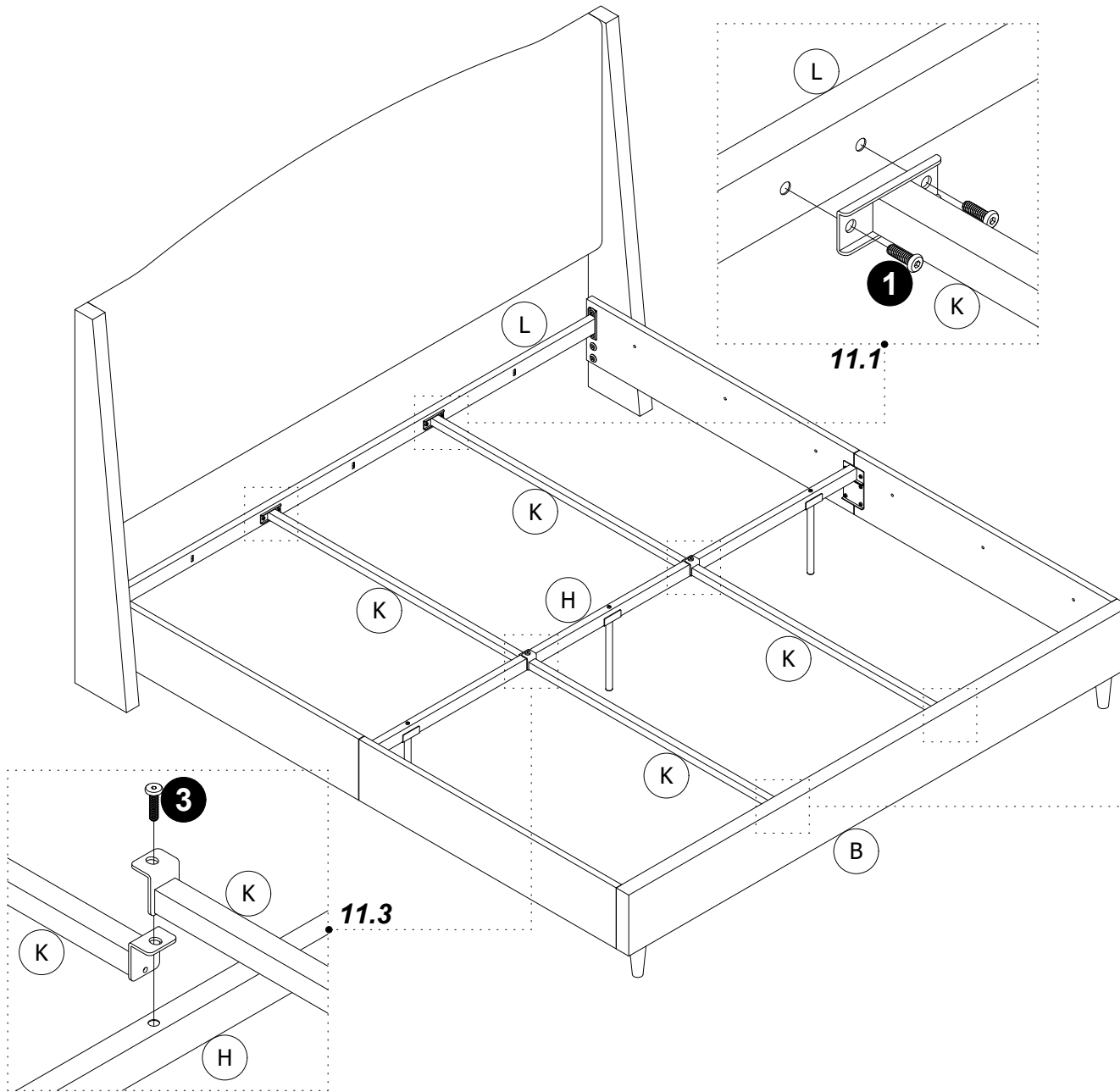


# Step 11

**11.1** Attach **K** x 2 to **L** with **1**.

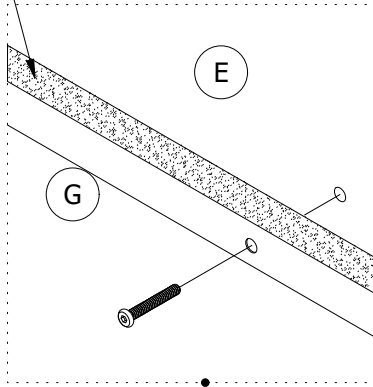
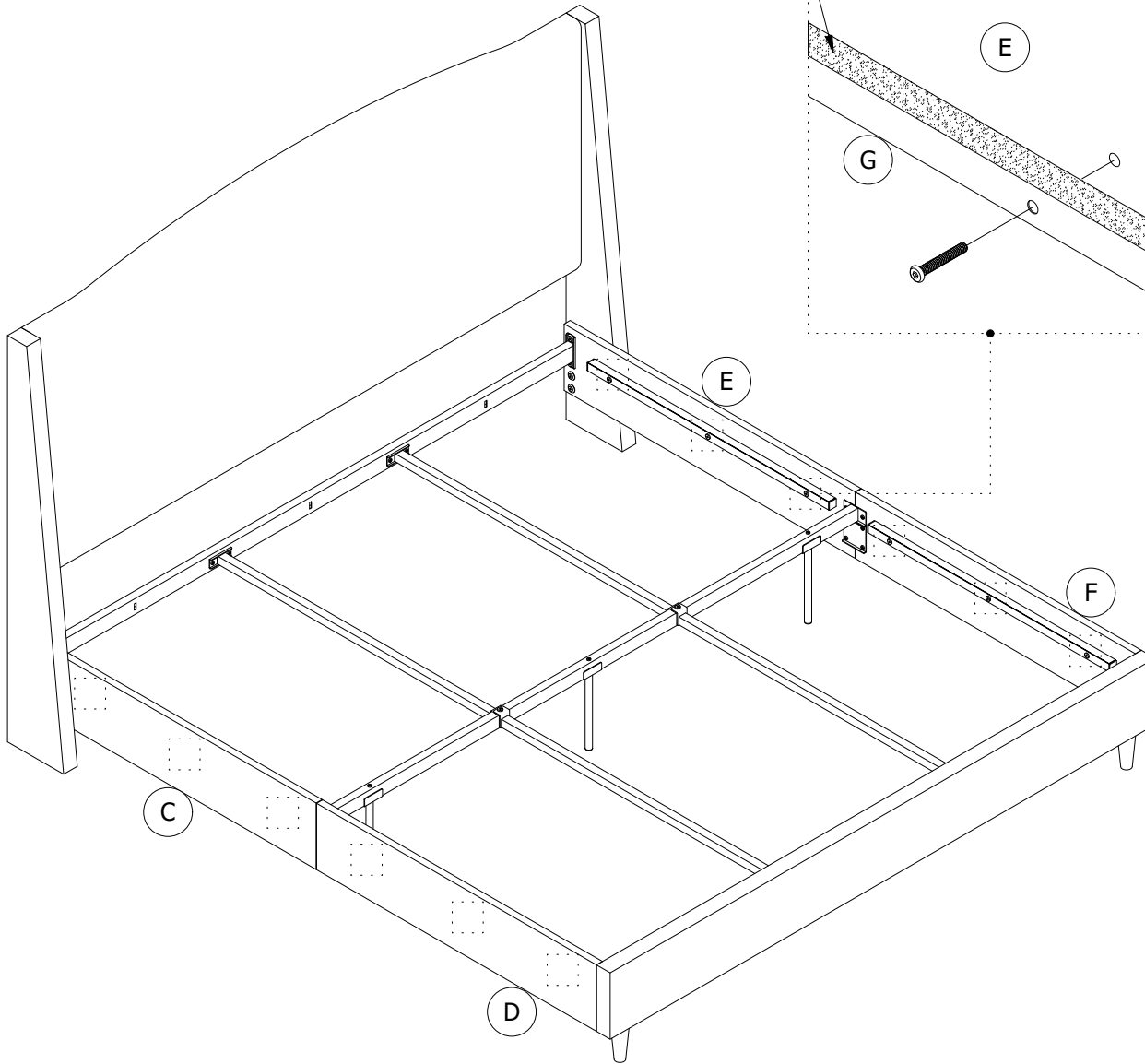
**11.2** Attach remaining **K** x 2 to **B** with **1**.

**11.3** Attach **K** x 4 to **H** with **3**.

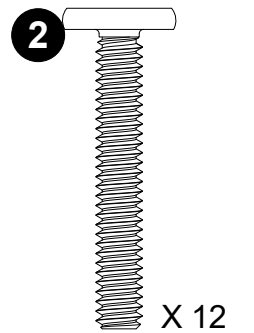


# Step 12

⚠️ Velcro towards the top!



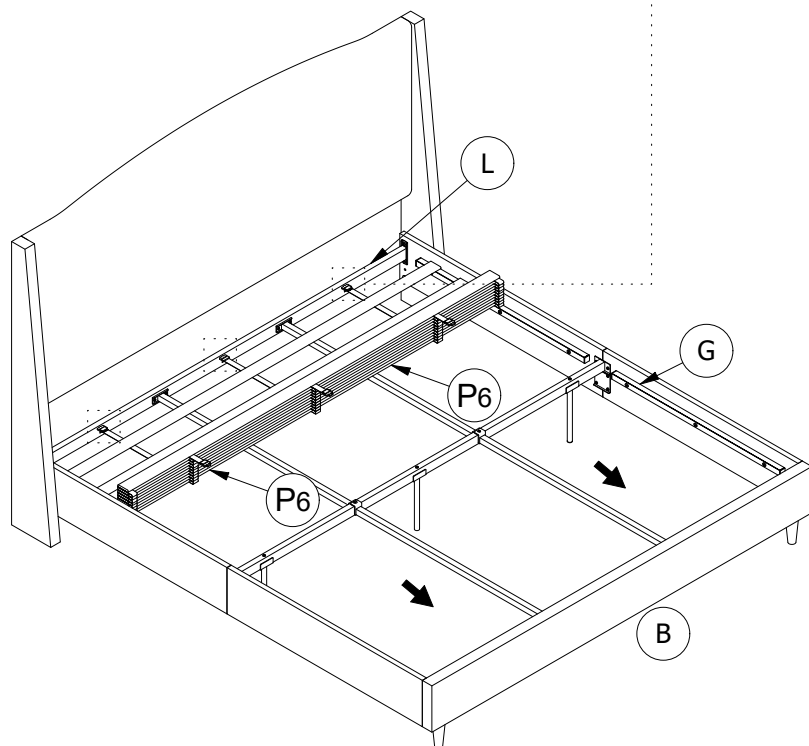
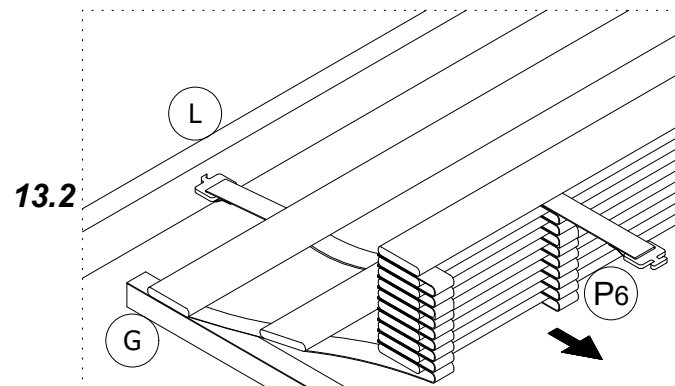
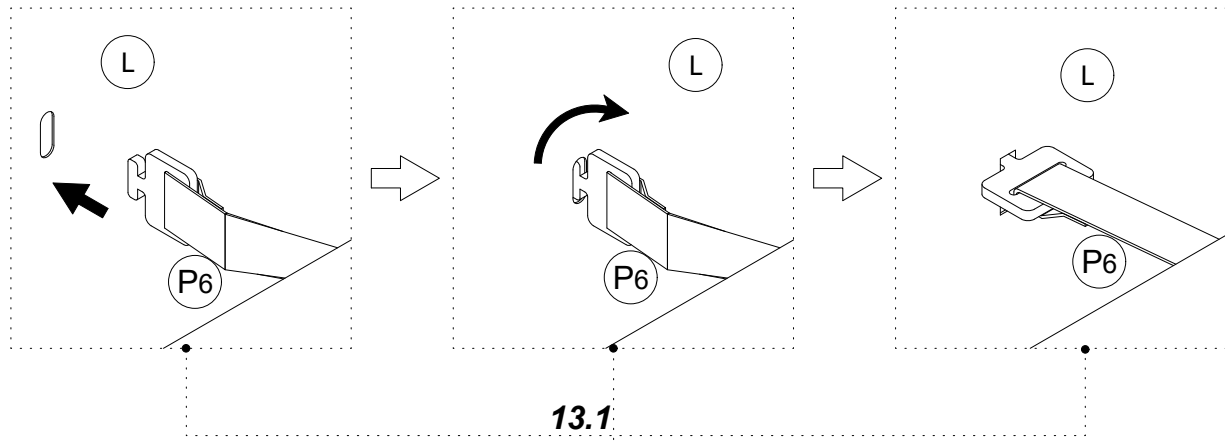
Attach **G x 4** to **C, D, E** and **F** with **2**.  
⚠️ Fully tighten bolts in all steps.



# Step 13

**13.1** Attach one end of **P6** to **L** by inserting the tab into the slot and turn it to the level position.

**13.2** Spread the slats **P6** along the bed with equal spacing, engage the velcro at the end of slat with the counter part on **G**.



# Step 14

Attach the other end of **P6** to **B** by inserting the tab into the slot and turn it to the level position.

