

Gallup Rustic Wood Floating Nursery Shelves Set of 2

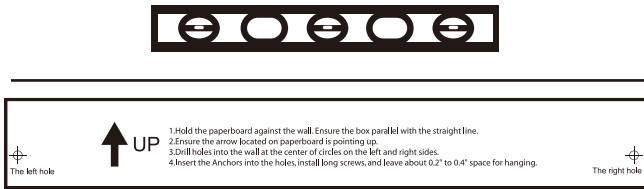
Package Content

Floating Shelves (A) x 2 Cardboard (B) x 1
Screws (C) x 4 Drywall Anchors (D) x 4

Tools Needed

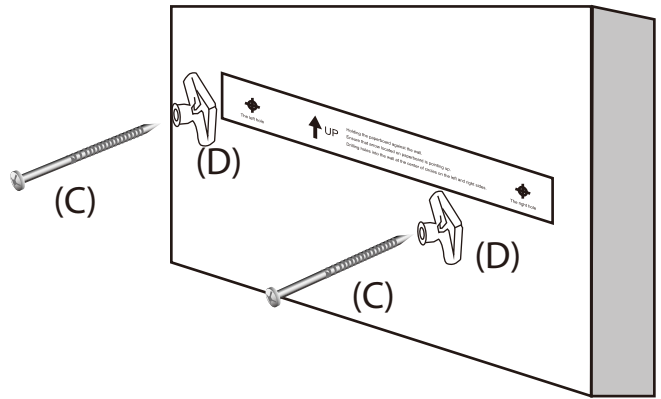
Level Pencil Screwdriver

INSTRUCTION

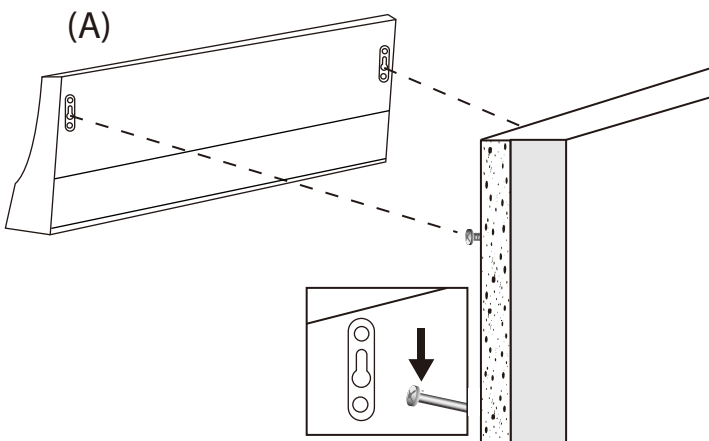


(B)

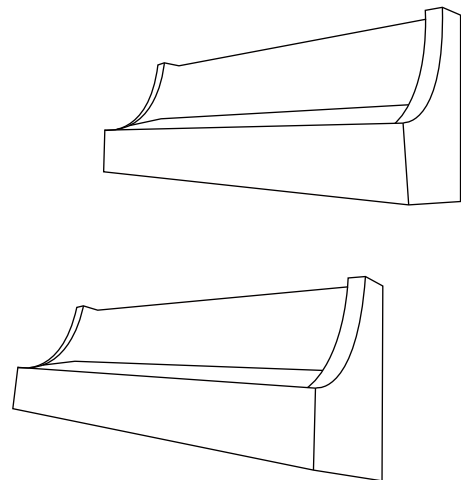
1. Use a pencil to draw a straight line on the wall. Hold the cardboard against the wall. Ensure that the cardboard is parallel with the straight line.



2. Drill holes into the wall according to instructions provided. Insert the anchors into the holes and install long screws. Be sure the screws leave about 0.2" to 0.4" space for hanging.



3. Take off the paper box after installing the screws. Hang the shelf on the screws in the wall.



4. Enjoy your floating nursery shelves!