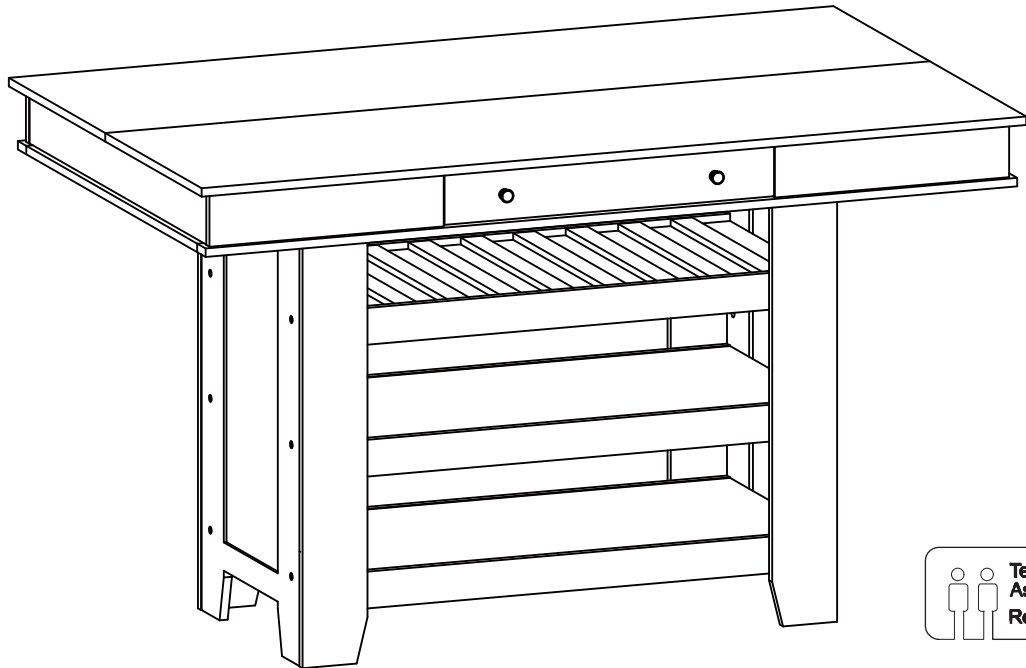


Assembly Instruction



Trouble shooting:

Missing / Wrong / Broken parts and installation issues



Contact us with your question pic ,order NO. and screenshot of order details to:

Respond within 24 hours



Issue resolved



**THIS INSTRUCTION BOOKLET CONTAINS IMPORTANT SAFETY INFORMATION.
PLEASE READ AND KEEP FOR FUTURE REFERENCE.**

Thank you for purchase on our products. Please contact us if you have difficulty with assembly or need replacement parts. Our customer service is here to assist you. Please attach your User Name or Order ID so that we can assist you better.

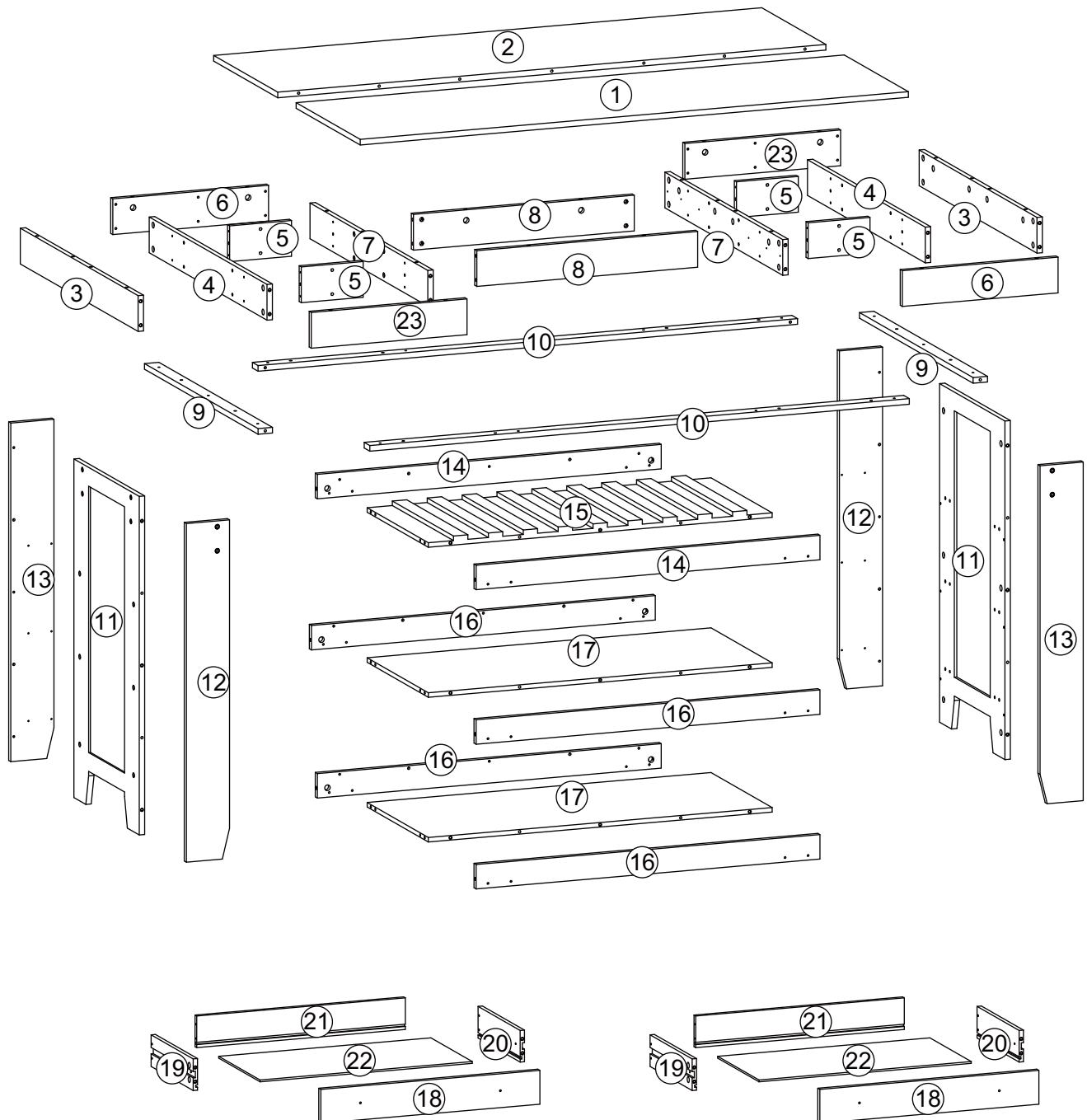
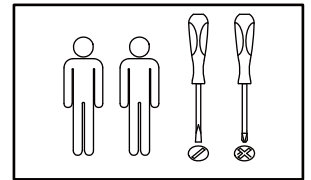
WARNING

Serious or fatal injury may occur from unexpected assembly or use.

1. During the assembly process, keep all parts away from babies or children.
2. Always securely fix this product to the wall. Make sure the wall area to be drilled is free from hidden electrical wires, water and gas pipes.
3. Use of tip-over restraints may only reduce, but not eliminate the risk of tip-over.
4. Unless specially designed to accommodate, do not set heavy objects on top of this product.
5. Place the heaviest items on the lowest drawers or shelves.
6. Never allow children to climb or bang on drawers, doors or shelves.

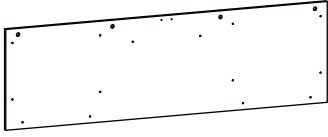
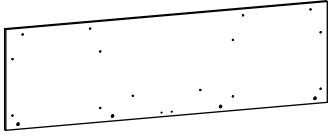
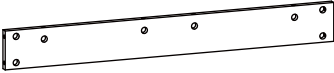

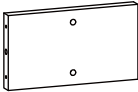
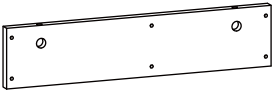
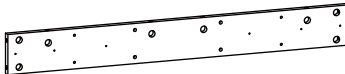



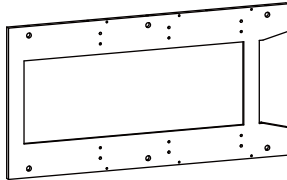
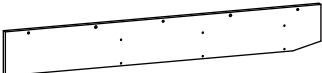
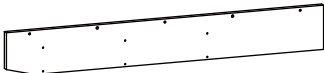
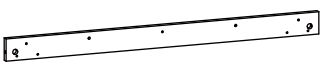
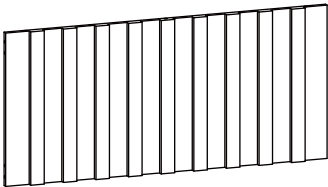

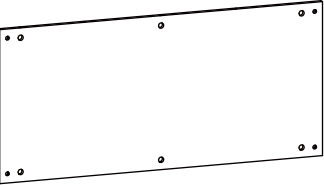




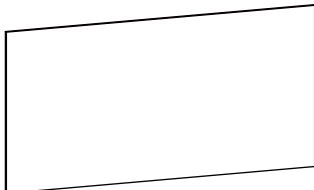
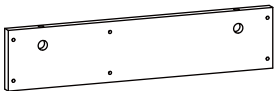
| WARNING | |
|---|--|
|  | <p>Children have died from furniture tipover. To reduce the risk of furniture tipover:</p> <ul style="list-style-type: none">● ALWAYS install tipover restraint provided.● NEVER put a TV on this product.● NEVER allow children to stand, climb or hang on drawers, doors, or shelves.● NEVER open more than one drawer at a time.● Place heaviest items in the lowest drawers. |
|  | |

Part List

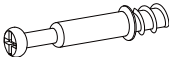

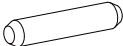



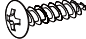


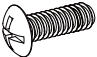

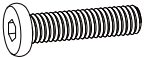

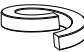


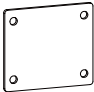


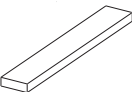



Please cut if you need, but keep for the future use after assembling

Part List

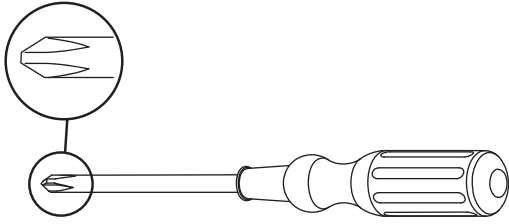
| | | | |
|---|---|--|---|
| ① x1 | ② x1 | ③ x2 | ④ x2 |
|  |  |  |  |
| ⑤ x4 | ⑥ x2 | ⑦ x2 | ⑧ x2 |
|  |  |  |  |
| ⑨ x2 | ⑩ x2 | ⑪ x2 | ⑫ x2 |
|  |  |  |  |
| ⑬ x2 | ⑭ x2 | ⑮ x1 | ⑯ x4 |
|  |  |  |  |
| ⑰ x2 | ⑱ x2 | ⑲ x2 | ⑳ x2 |
|  |  |  |  |
| ㉑ x2 | ㉒ x2 | ㉓ x2 | |
|  |  |  | |

Hardware List

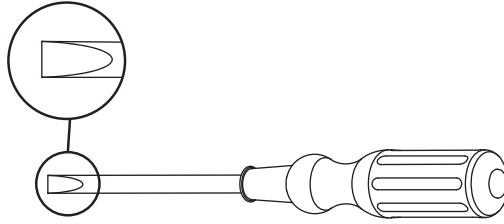
| | | | | |
|--|--|--|--|--|
| A ×102+10 | B ×106+10 | C ×59+5 | D ×4 | E ×24+2 |
|  |  |  |  6×50 |  |
| F ×12+1 | G ×4 | H ×24+2 | I ×38+3 | J ×4 |
|  M3×12 |  M4×12 |  M4×25 |  M4×35 |  M4×20 |
| K ×4 | L ×16+1 | M ×20+2 | N ×16+1 | O ×16+1 |
|  M4×9 |  M6×25 |  M6×40 |  |  |
| P ×4 | Q ×1 | R ×1 | S ×16+1 | T ×8 |
|  |  |  |  |  |
| U ×4 | | | | |
|  | | | | |

Tools required (Please prepare by yourself before installing)

Phillips Screwdriver

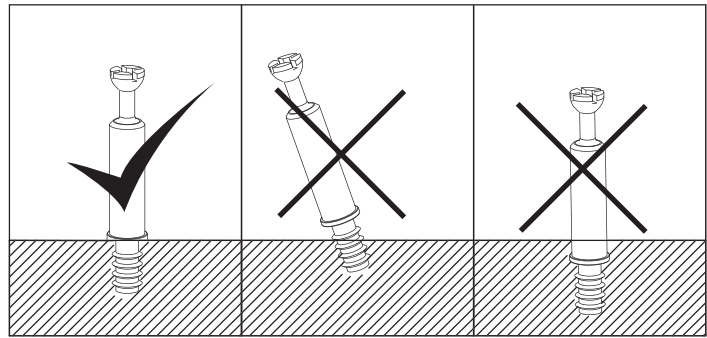
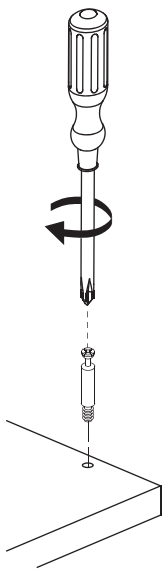


Straight Screwdriver



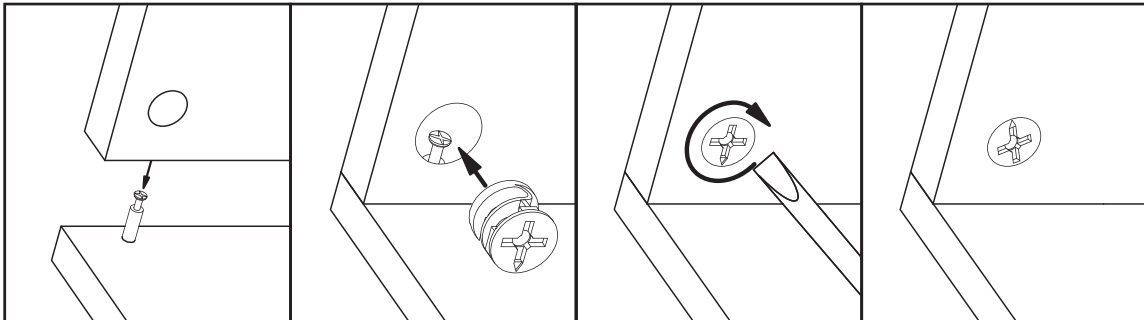
Power Tool NOT Recommended

To ensure proper assembly we have included the following guides:



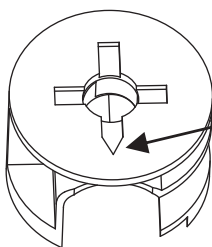
Insert threads of Locking Bolts completely, and stop once threads are no longer visible.

Do NOT overturn.



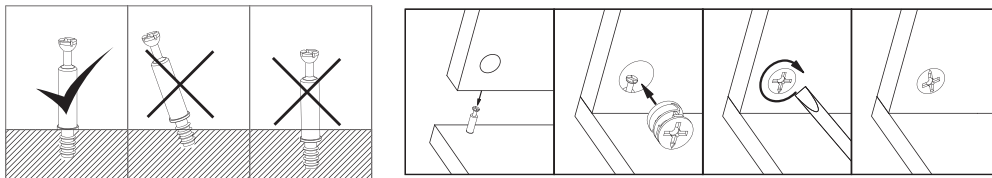
Reference this guide when assembling all Cam Locks.

Do NOT overturn.

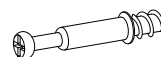


Notice:"pointer arrow"on cam face the Bolt when inserted the cam.

Step 1



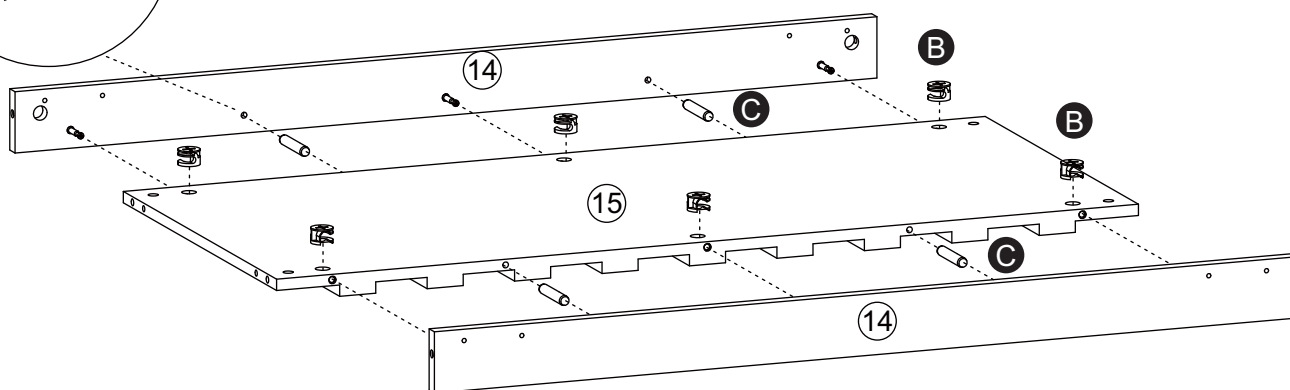
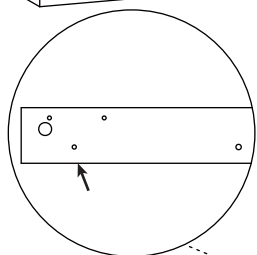
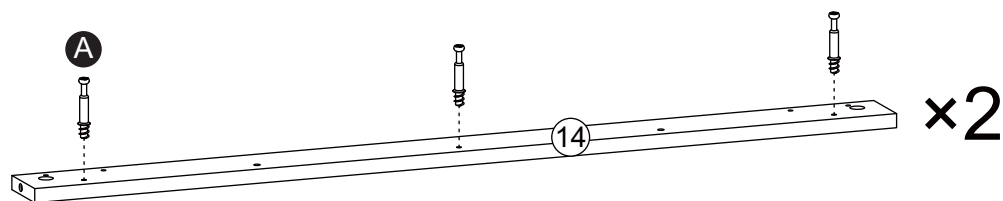
A × 6



B × 6

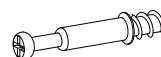


C × 4



Step 2

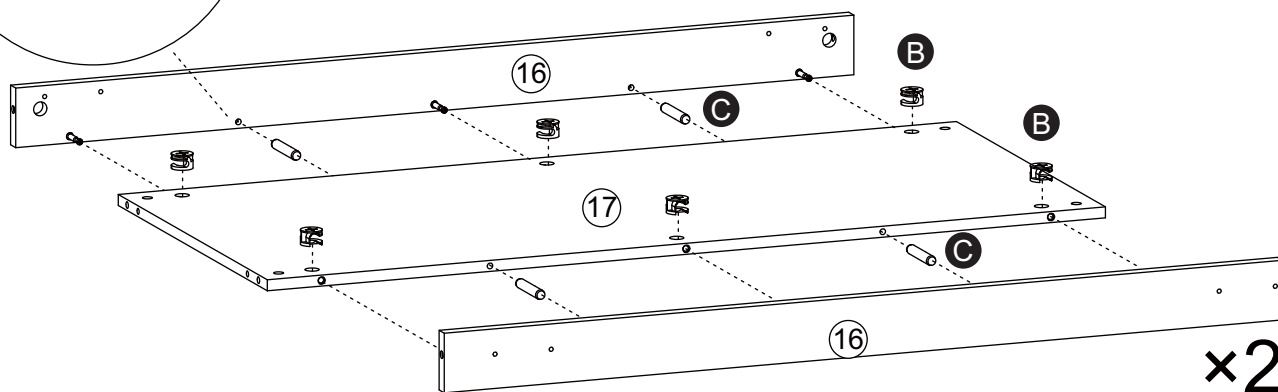
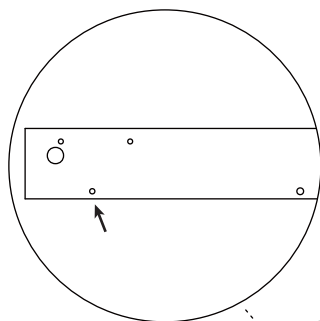
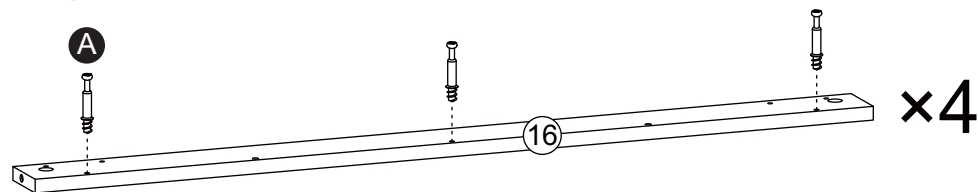
A × 12



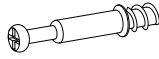




B × 12

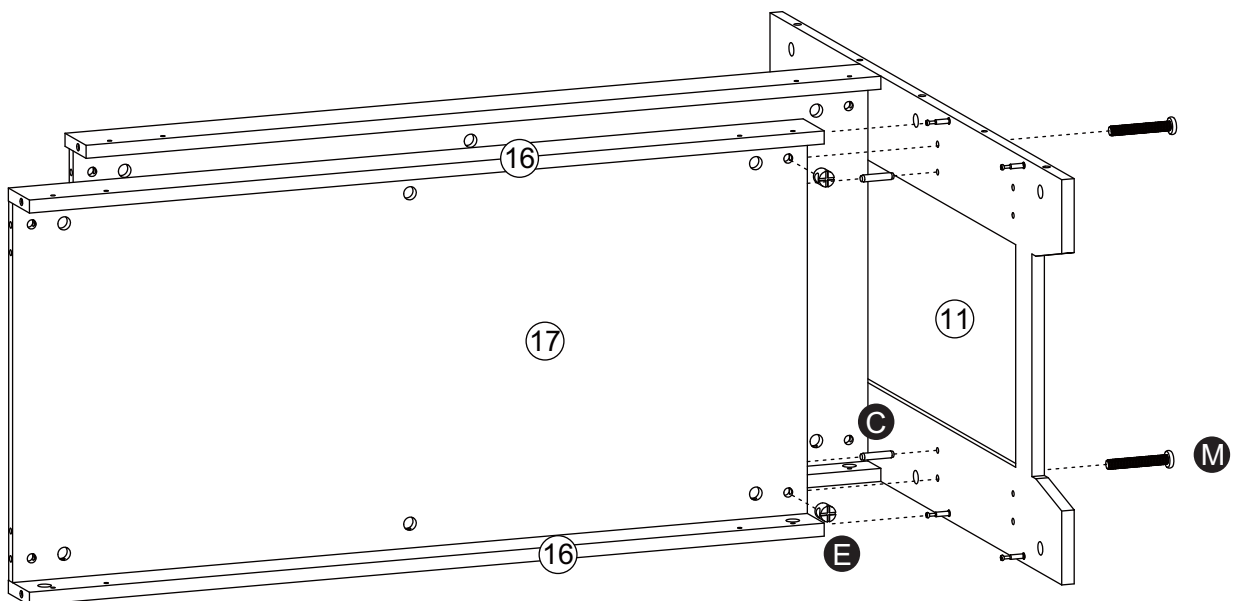
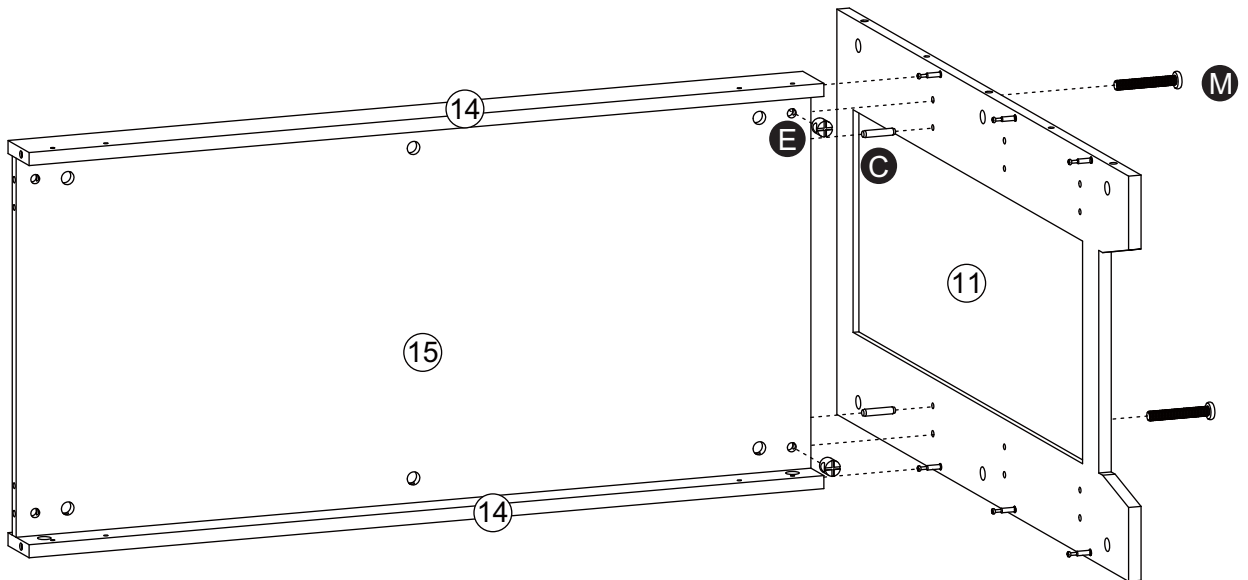
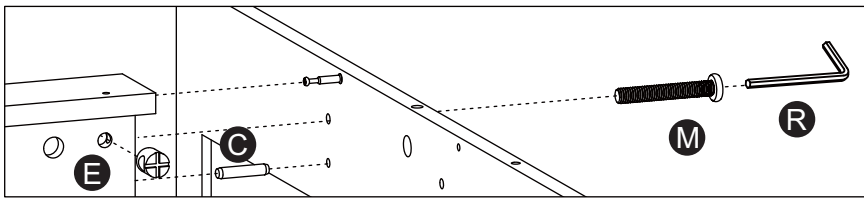
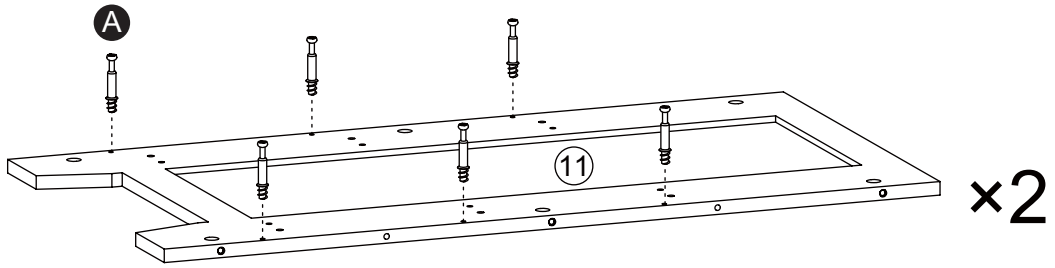


C × 8







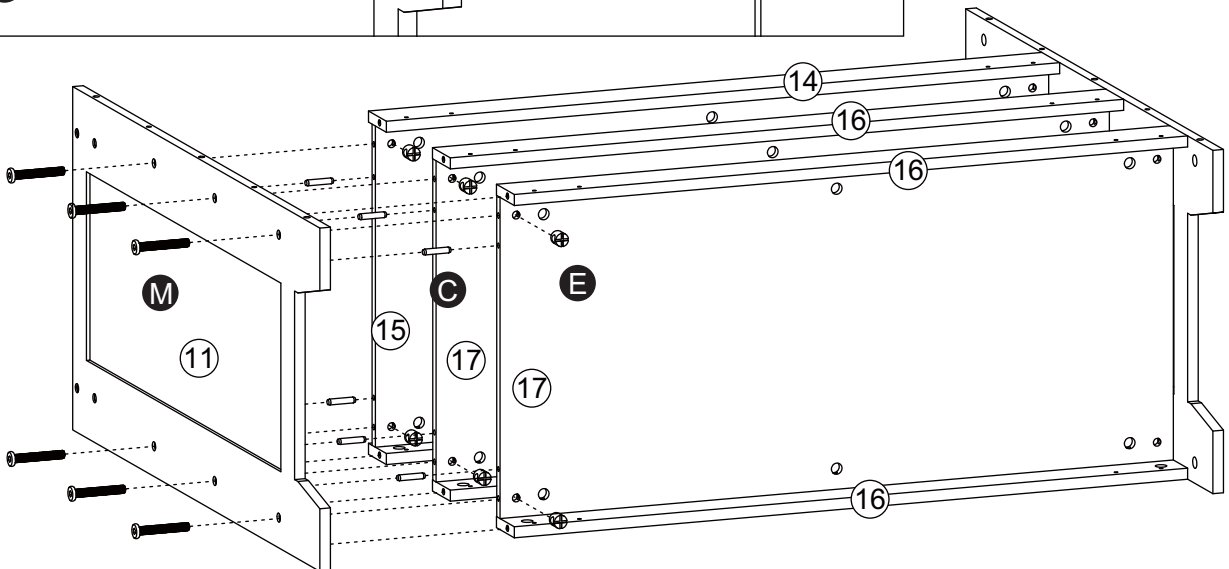
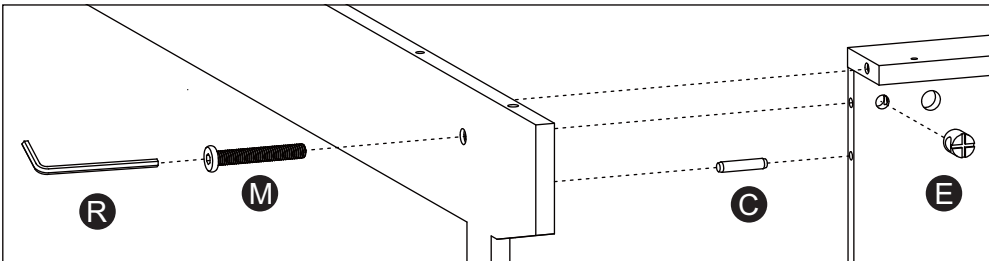
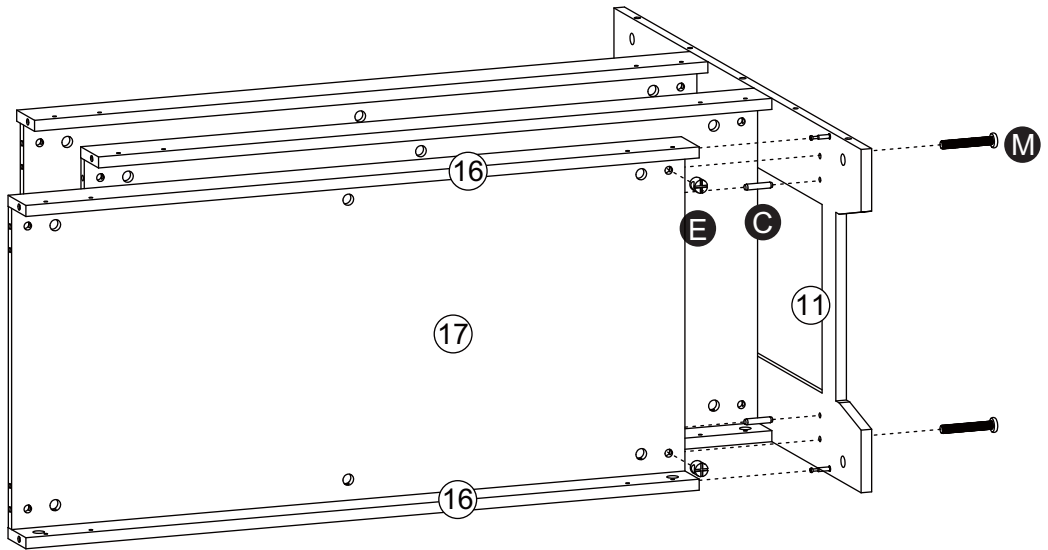
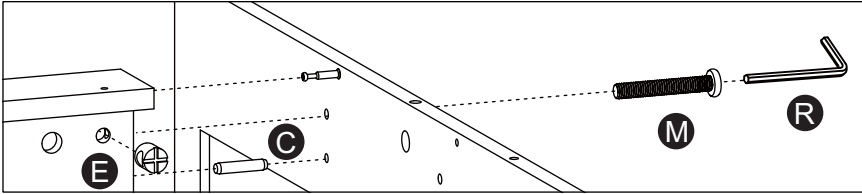
Step 3

| | | | | |
|---|---|---|---|---|
| A × 12 | C × 4 | E × 4 | M × 4 | R × 1 |
|  |  |  |  |  |



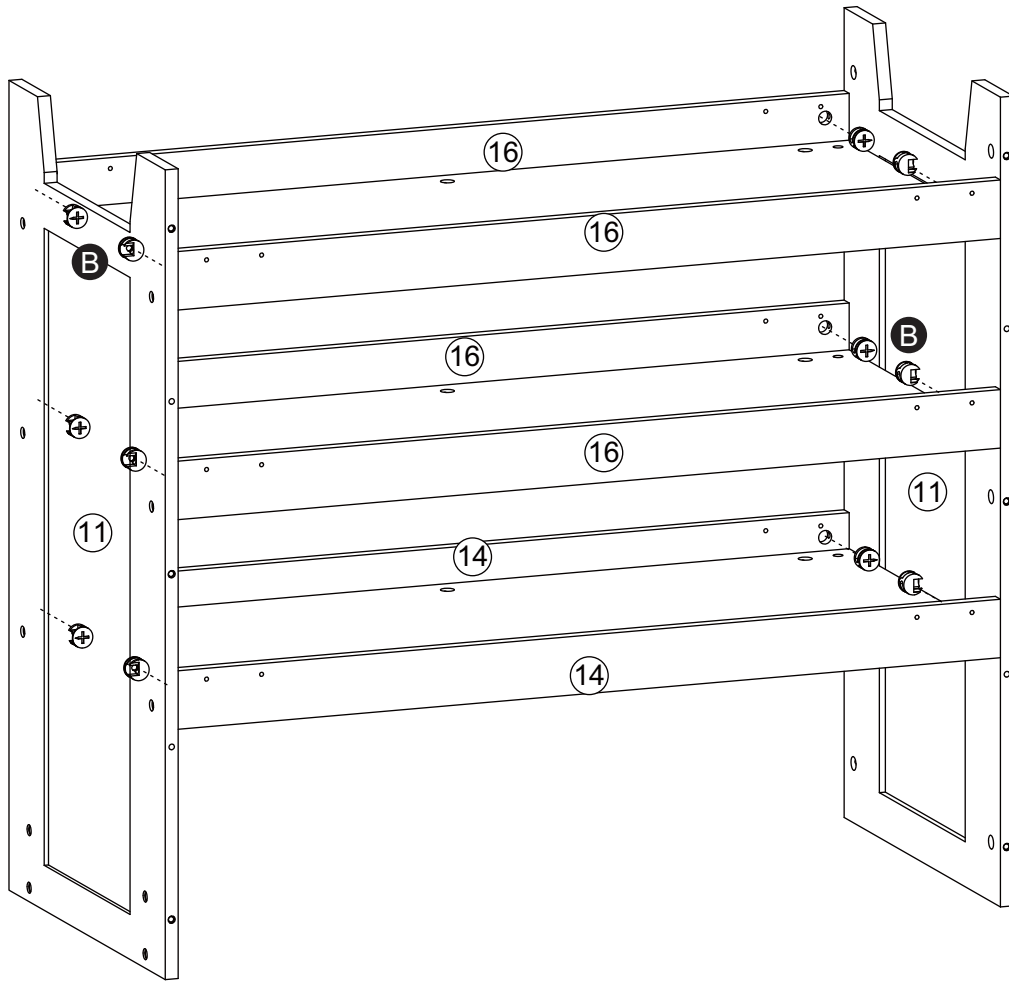
Step 4

| | | | |
|---|---|---|---|
| C × 8 | E × 8 | M × 8 | R × 1 |
|  |  |  |  |



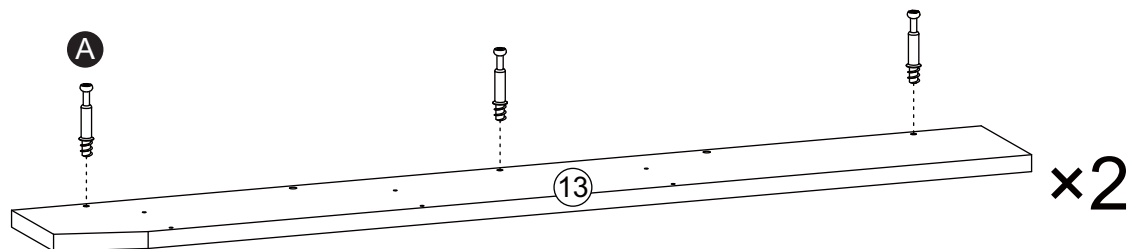
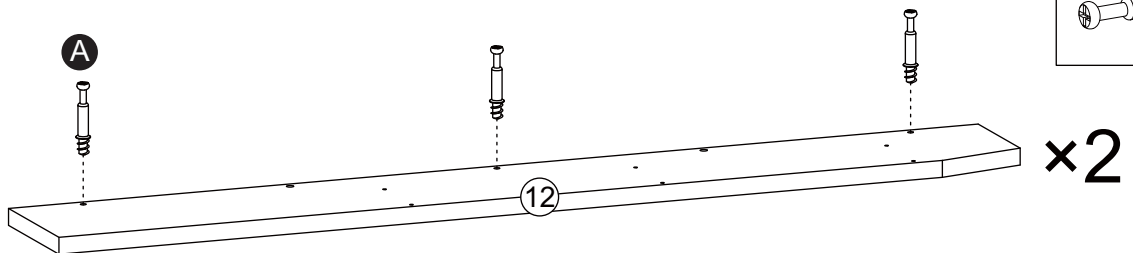
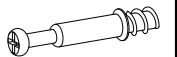
Step 5

B × 12



Step 6

A × 12

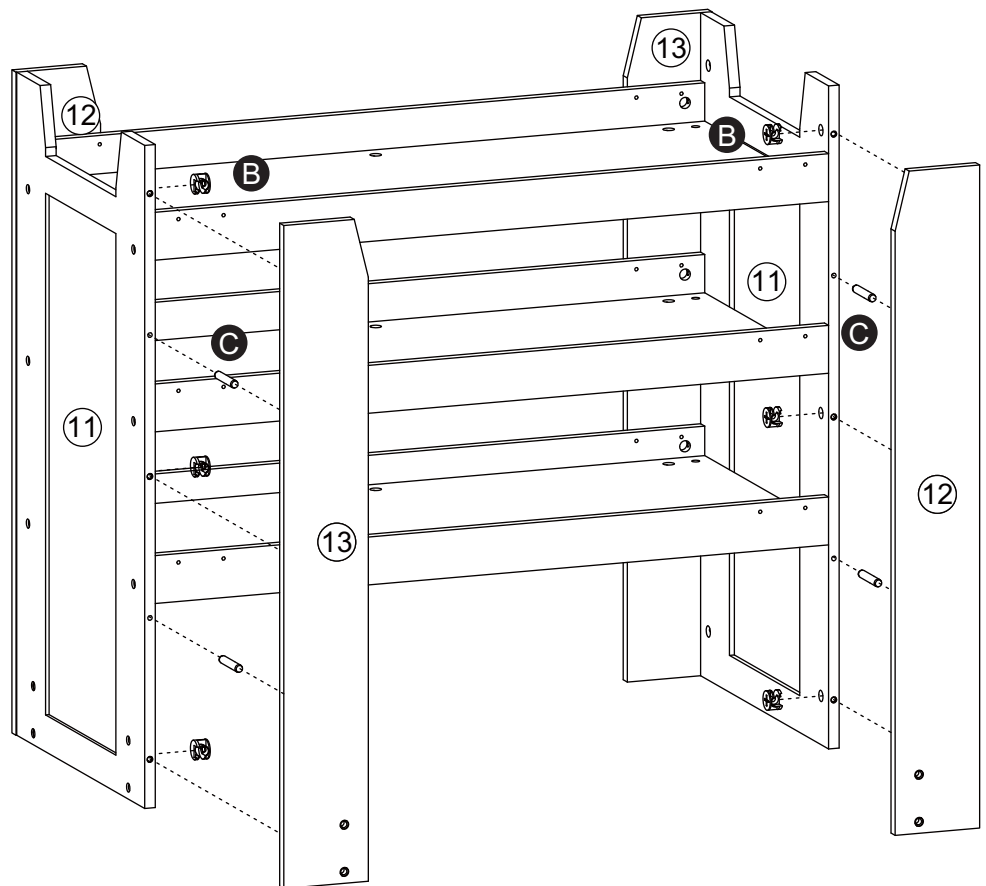
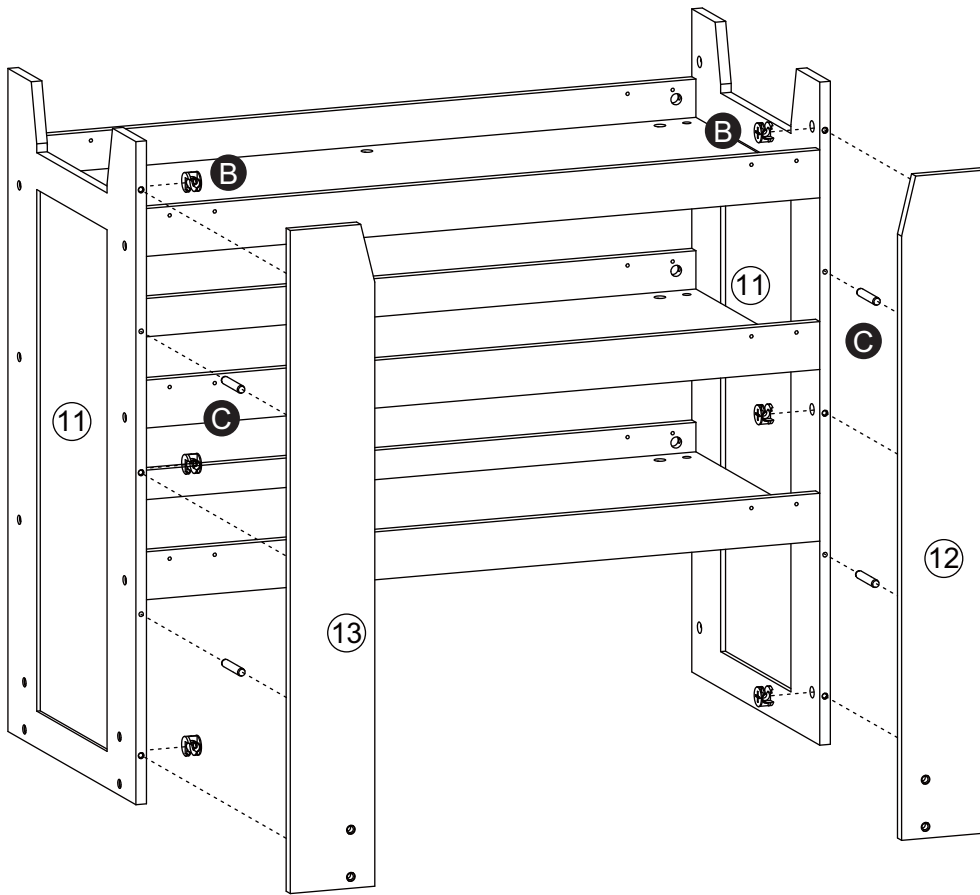


Step 7


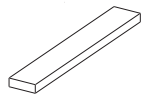
B × 12

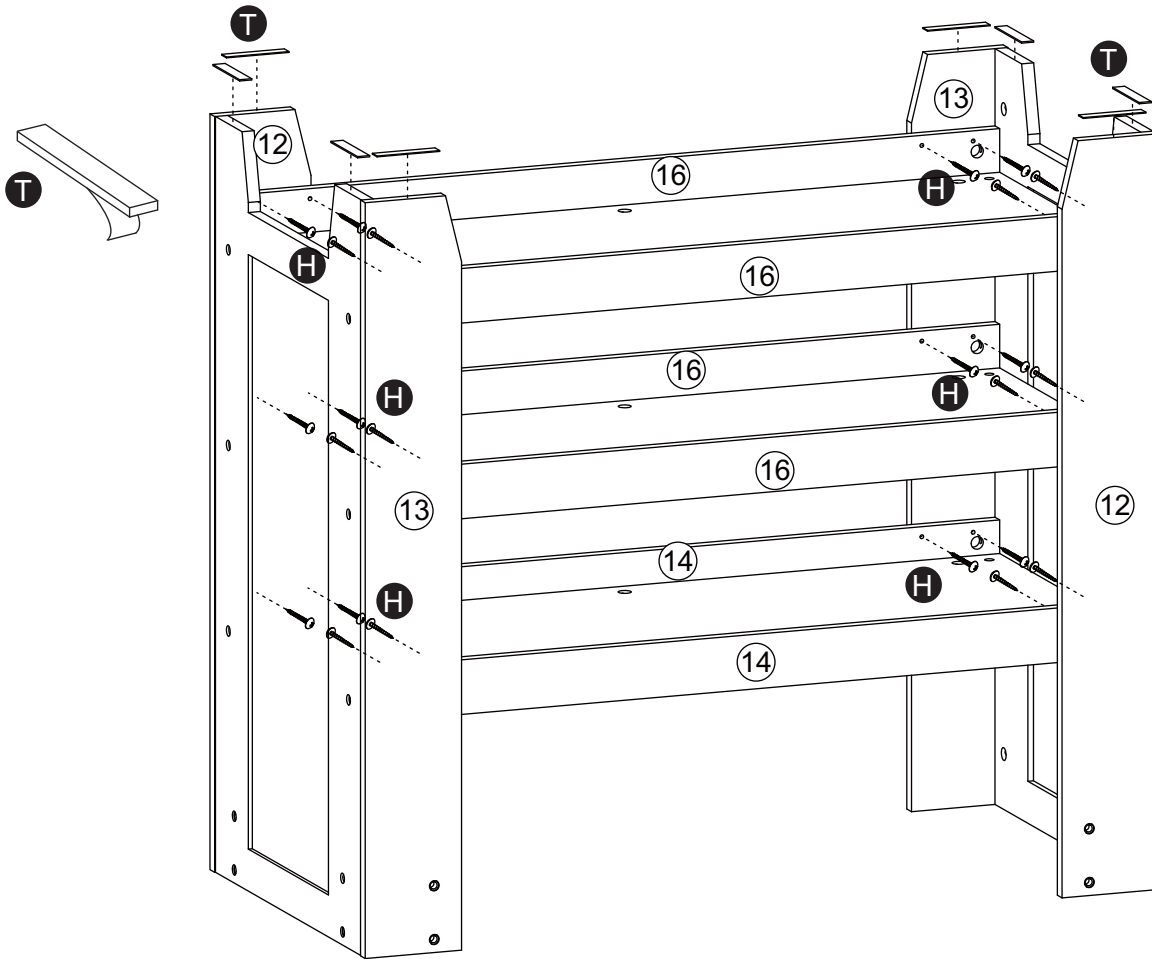


C × 8

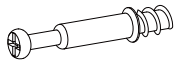
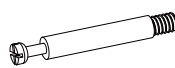



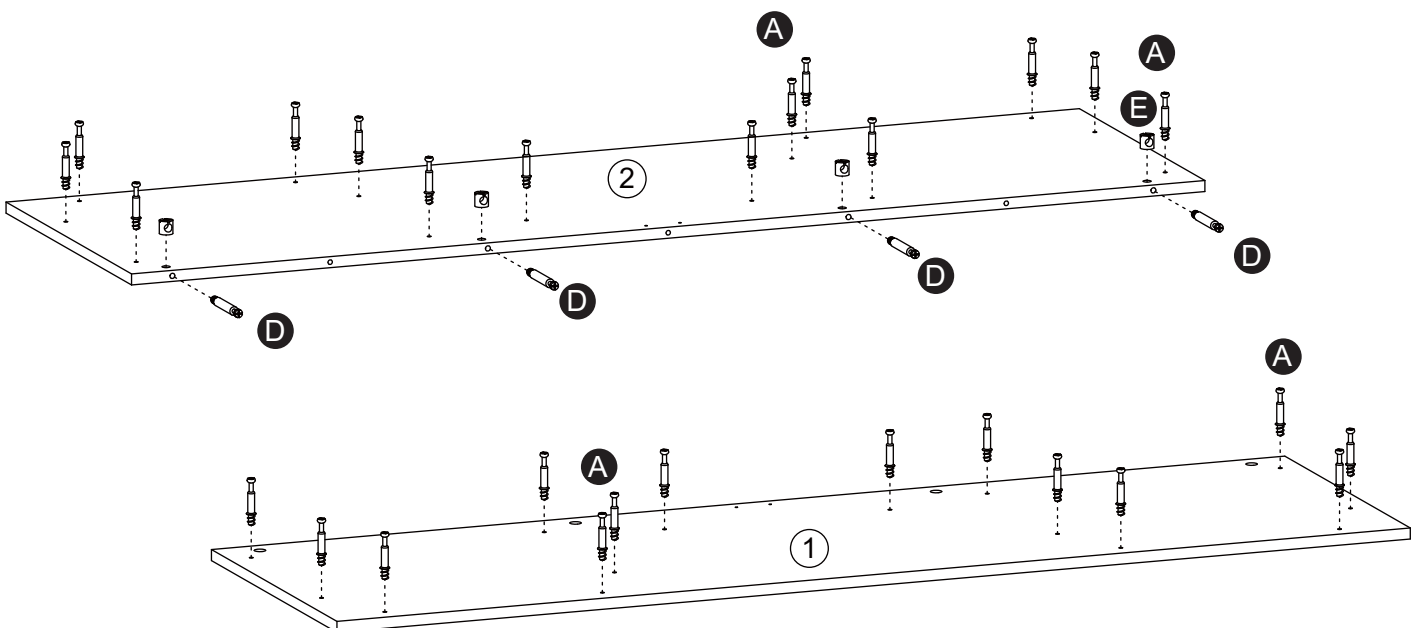
Step 8

| | |
|---|---|
| H × 24 | T × 8 |
|  |  |




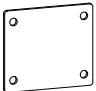


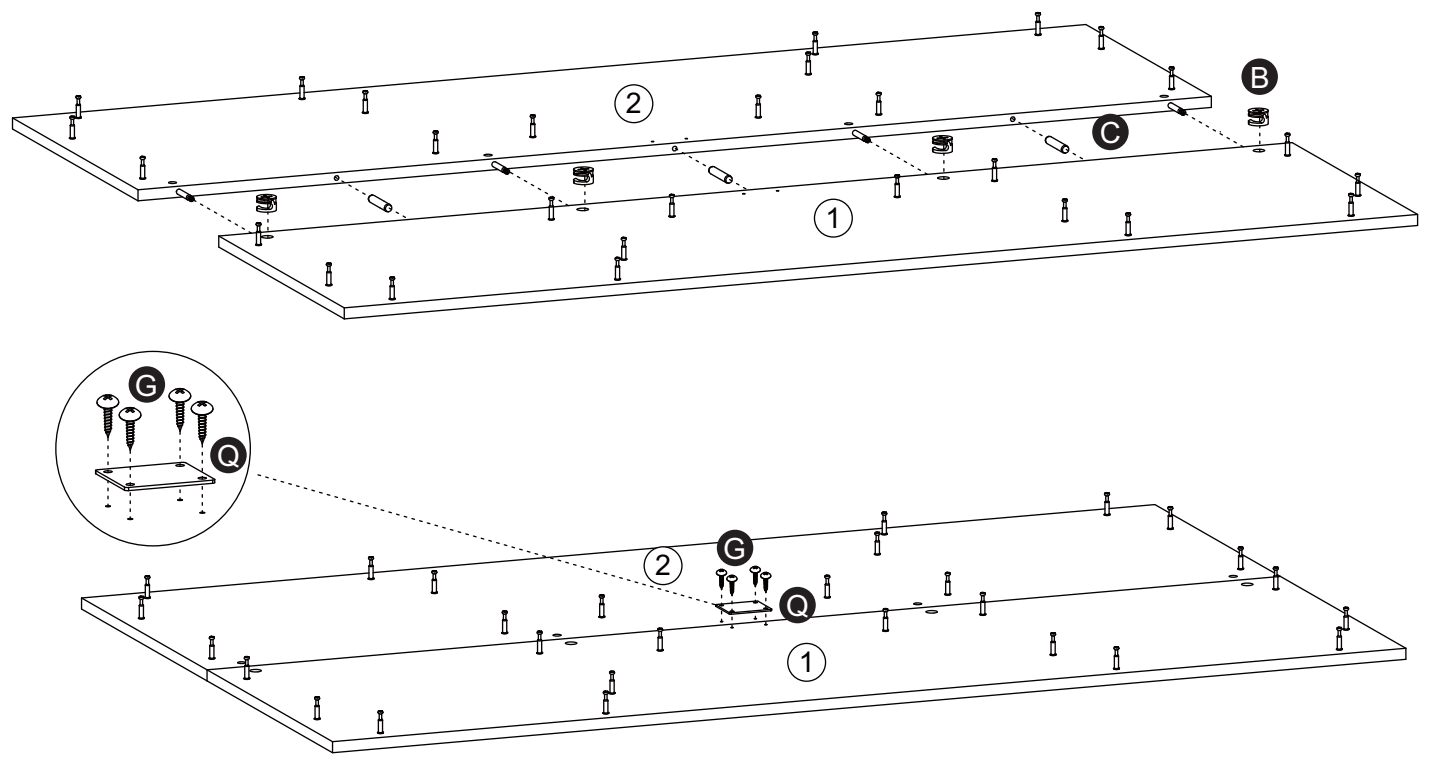
Step 9

| | | |
|--|---|---|
| A × 28 | D × 4 | E × 4 |
|  |  |  |





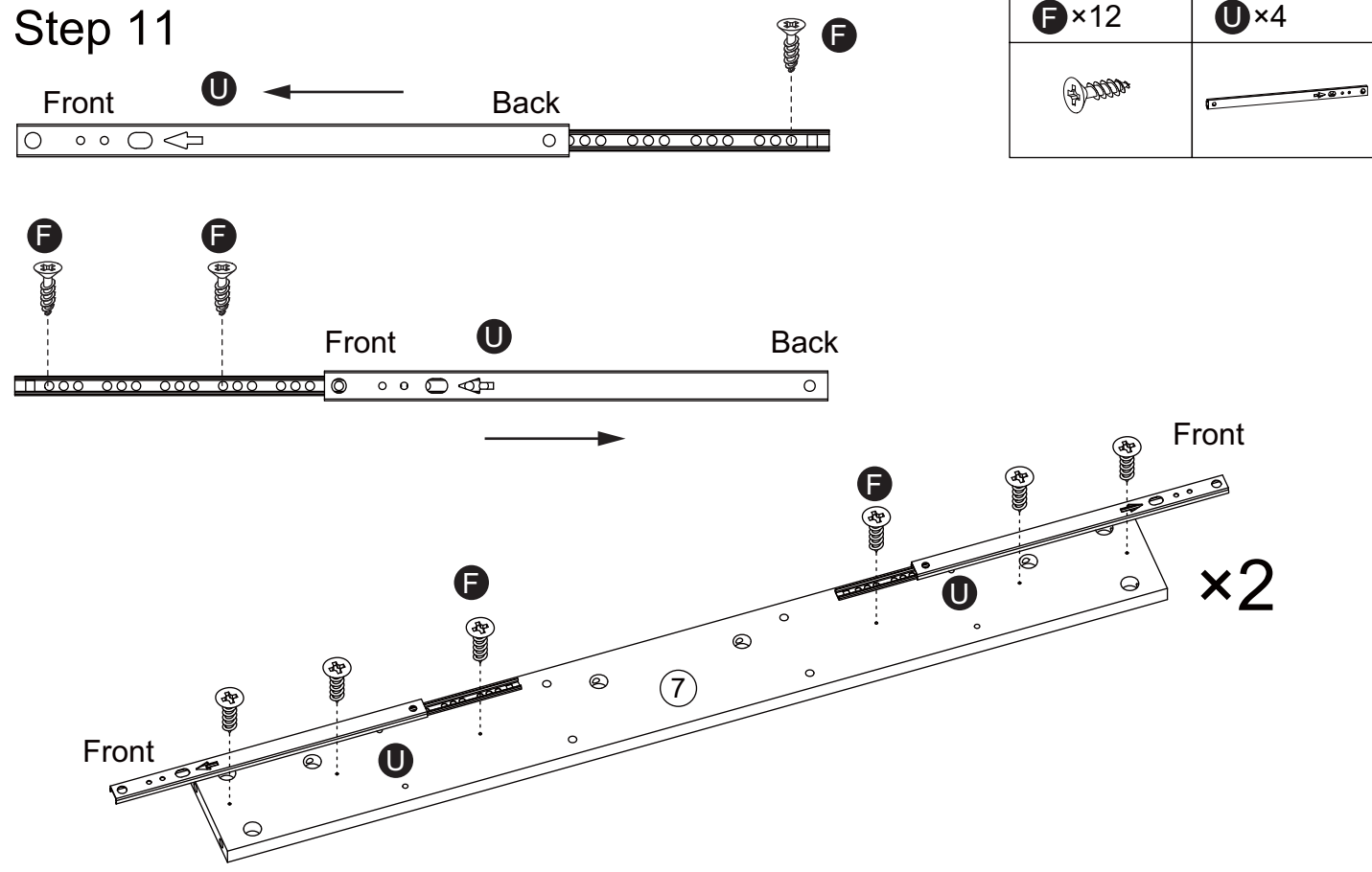
Step 10

| | | | |
|---|--|---|---|
| B × 4 | C × 3 | G × 4 | Q × 1 |
|  |  |  |  |

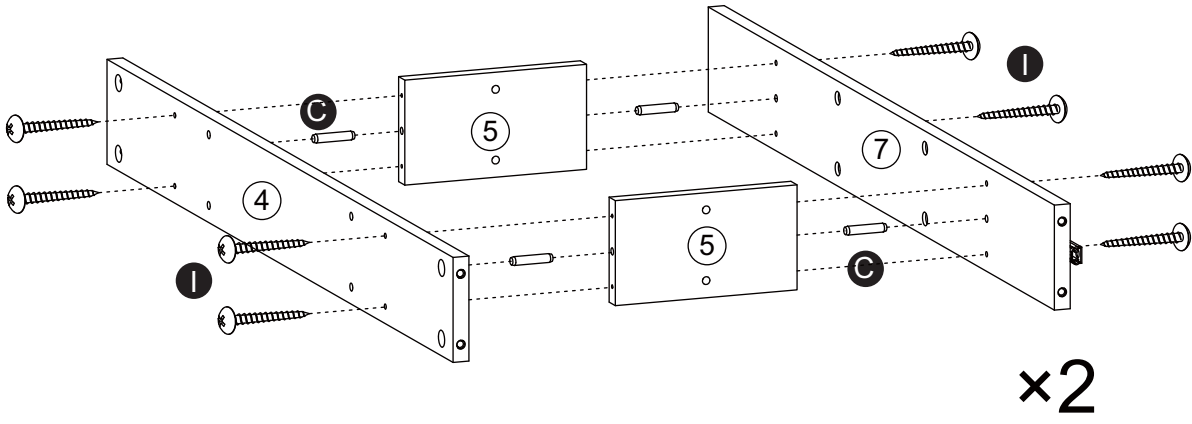


Step 11

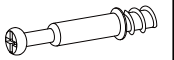
| | |
|---|---|
| F × 12 | U × 4 |
|  |  |



Step 12



A ×24



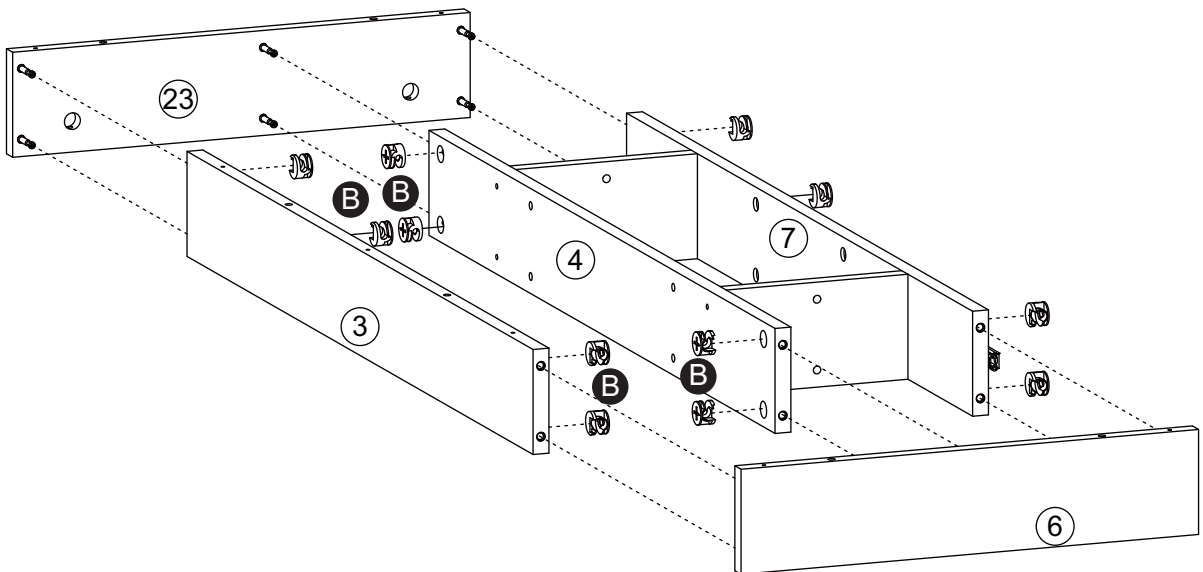
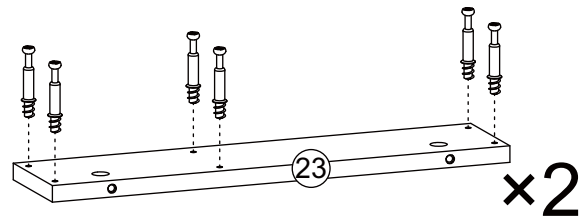
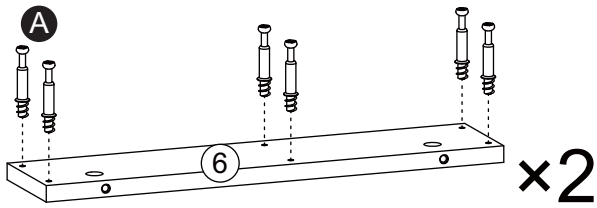
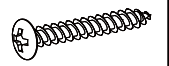
B ×12



C ×8

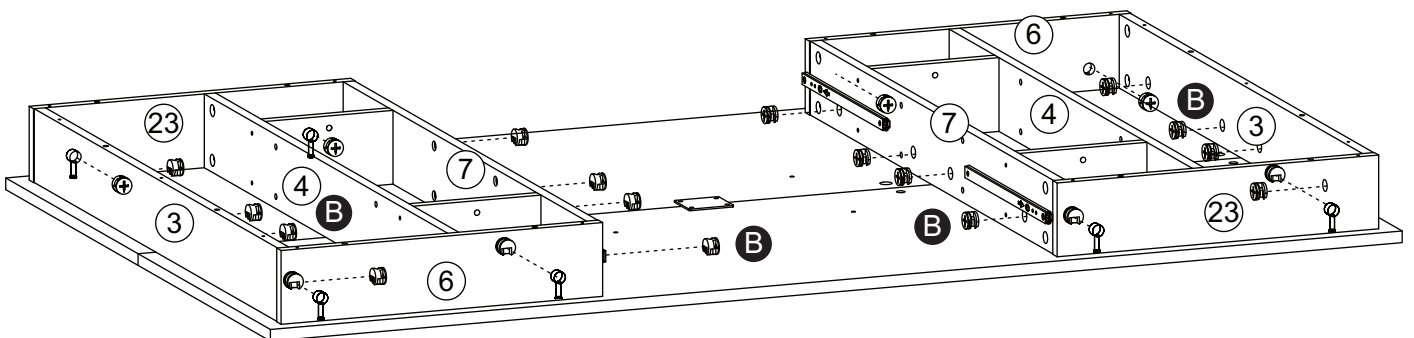
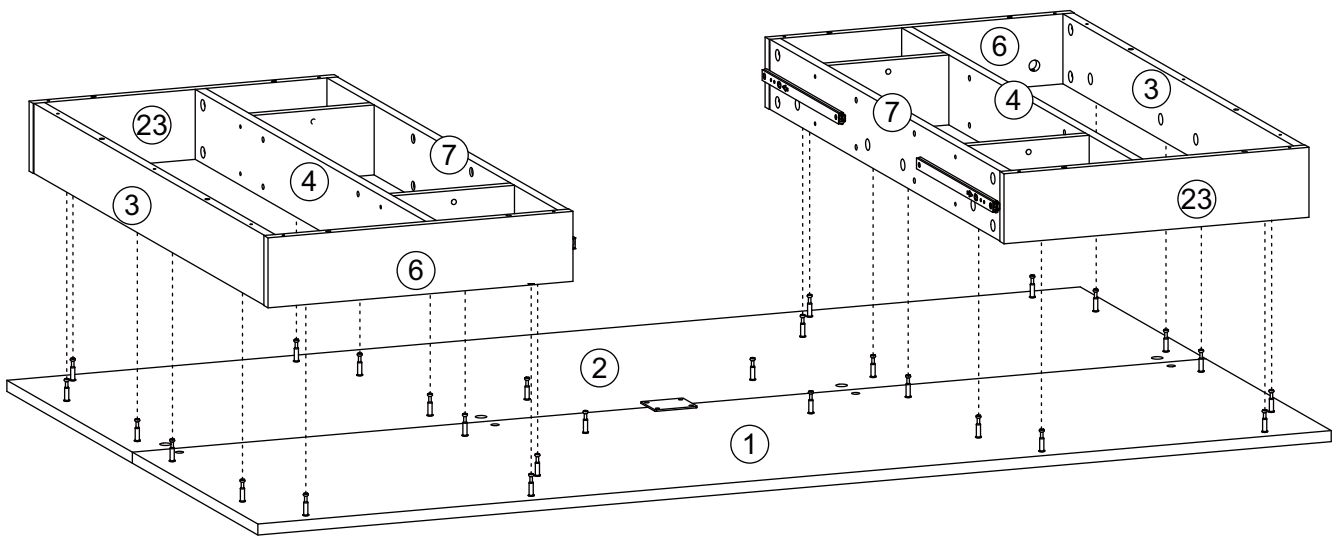
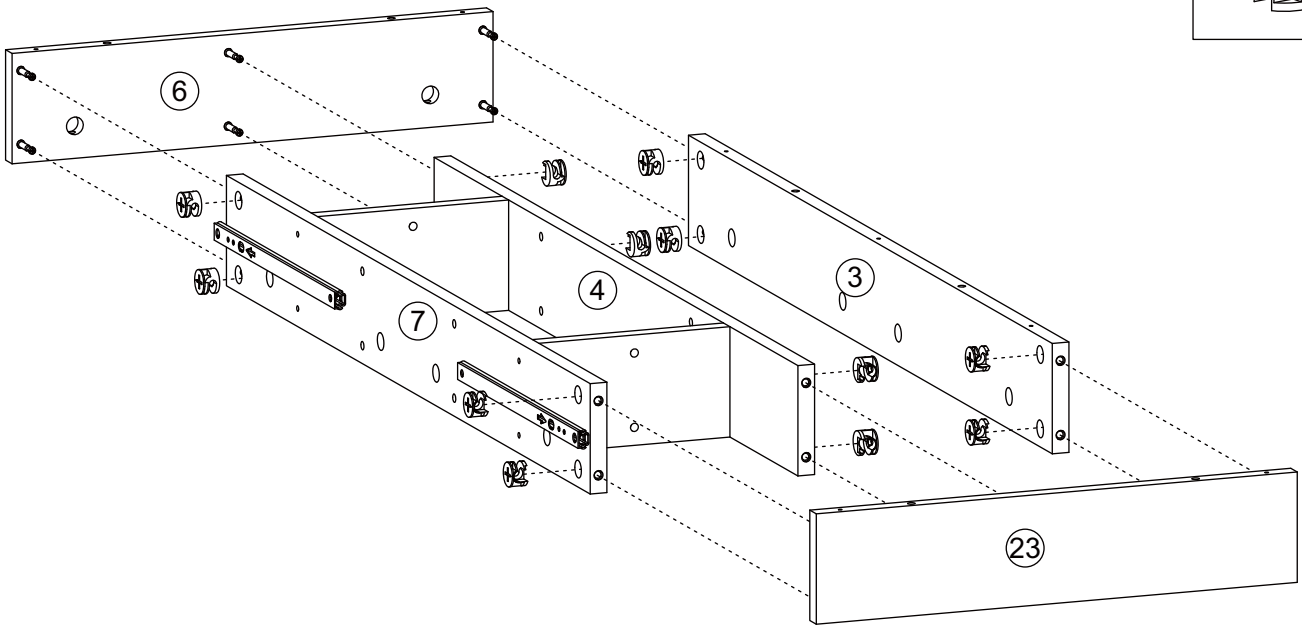


I ×16







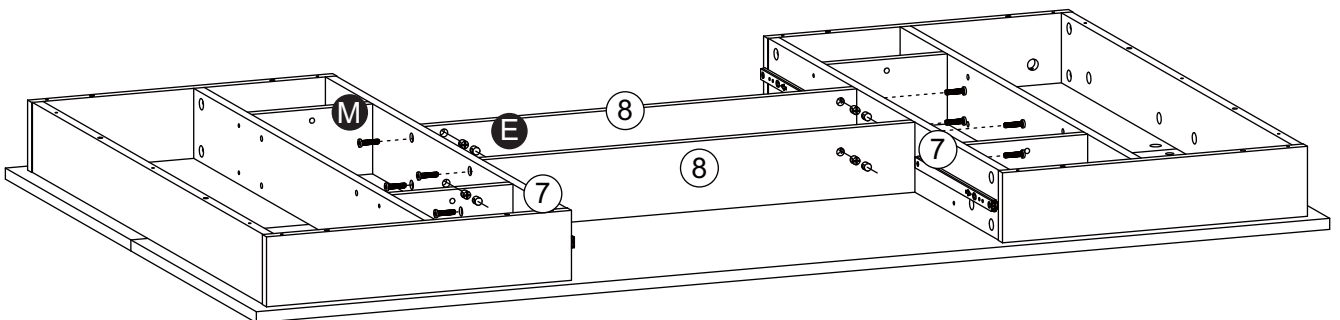
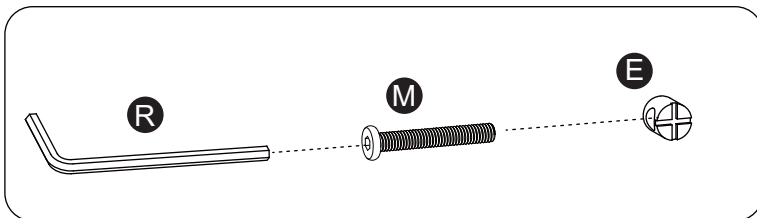
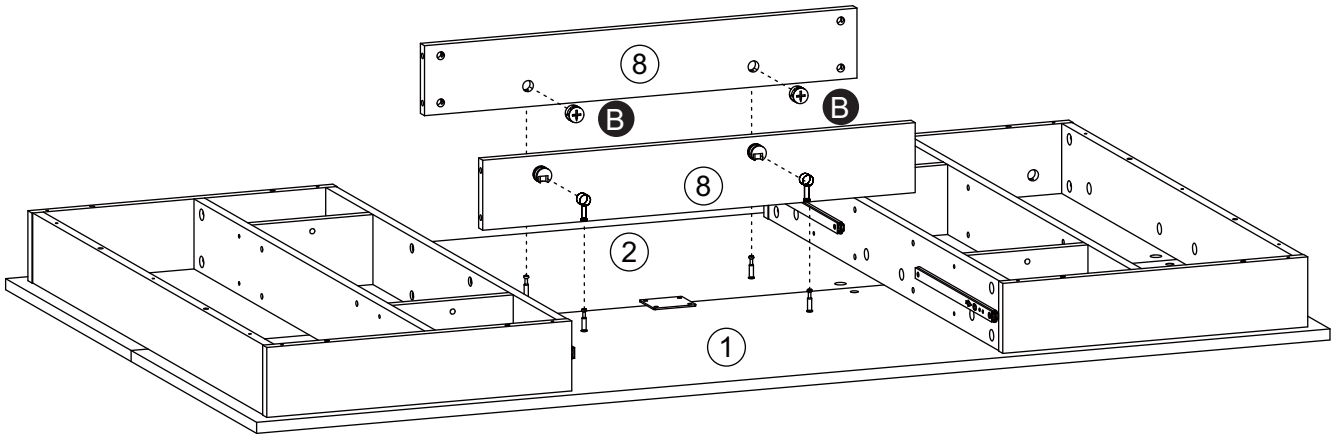
Step 13

B × 36


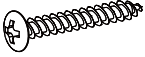


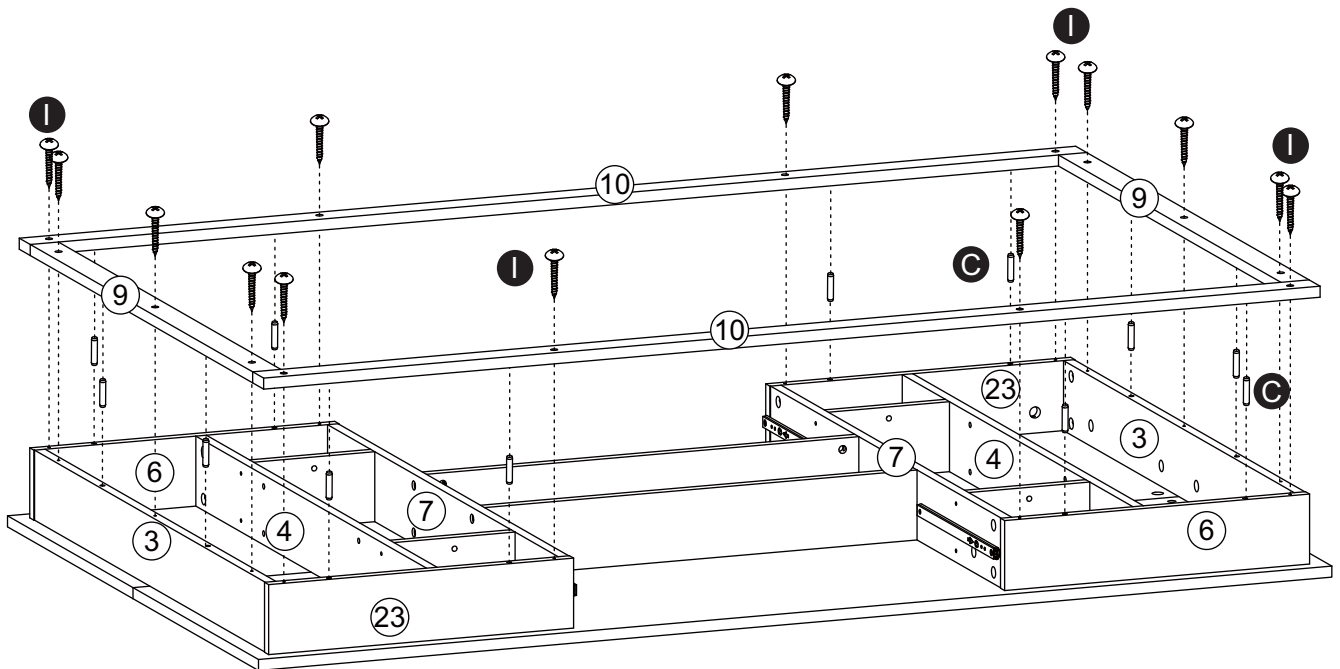
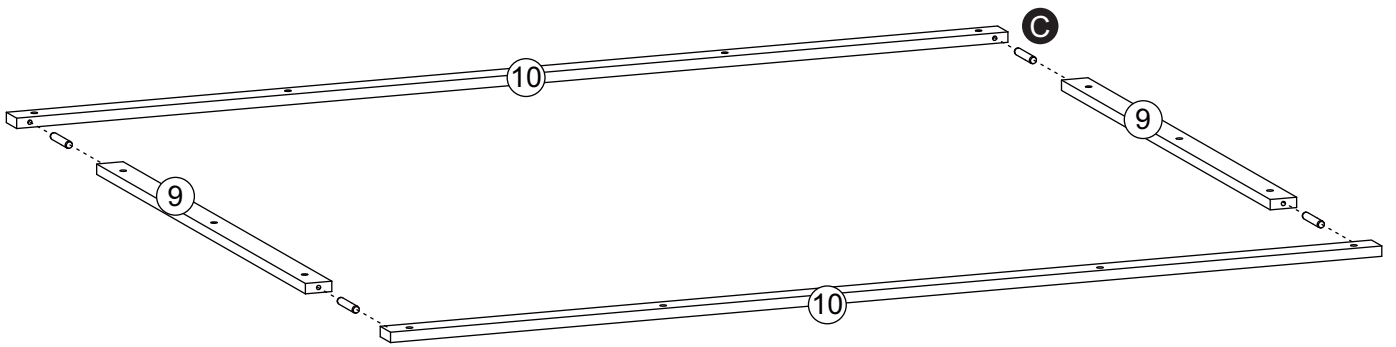
Step 14

| | | | |
|---|---|---|---|
| B × 4 | E × 8 | M × 8 | R × 1 |
|  |  |  |  |



Step 15

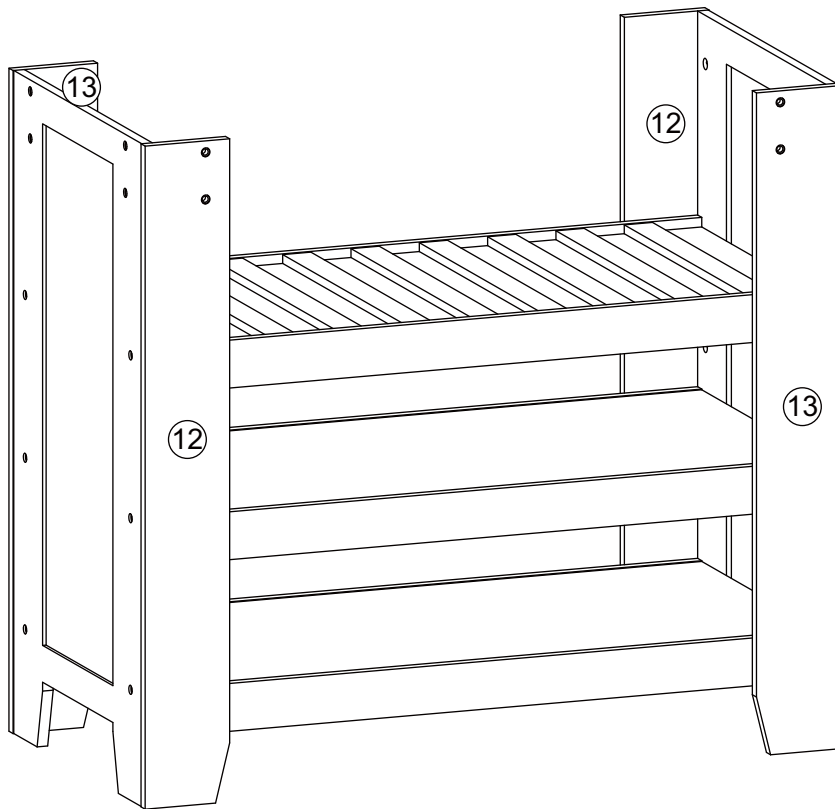
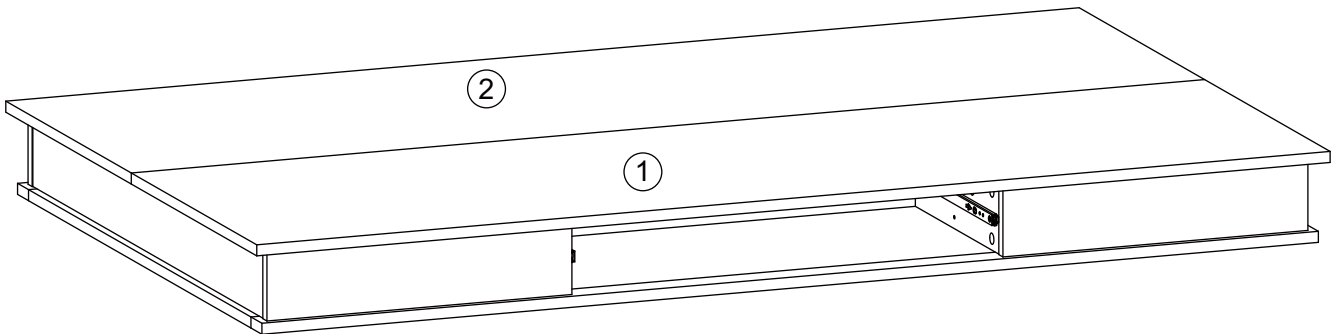
| | |
|---|---|
| C × 16 | L × 14 |
|  |  |



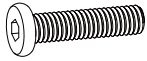
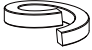


Step 16

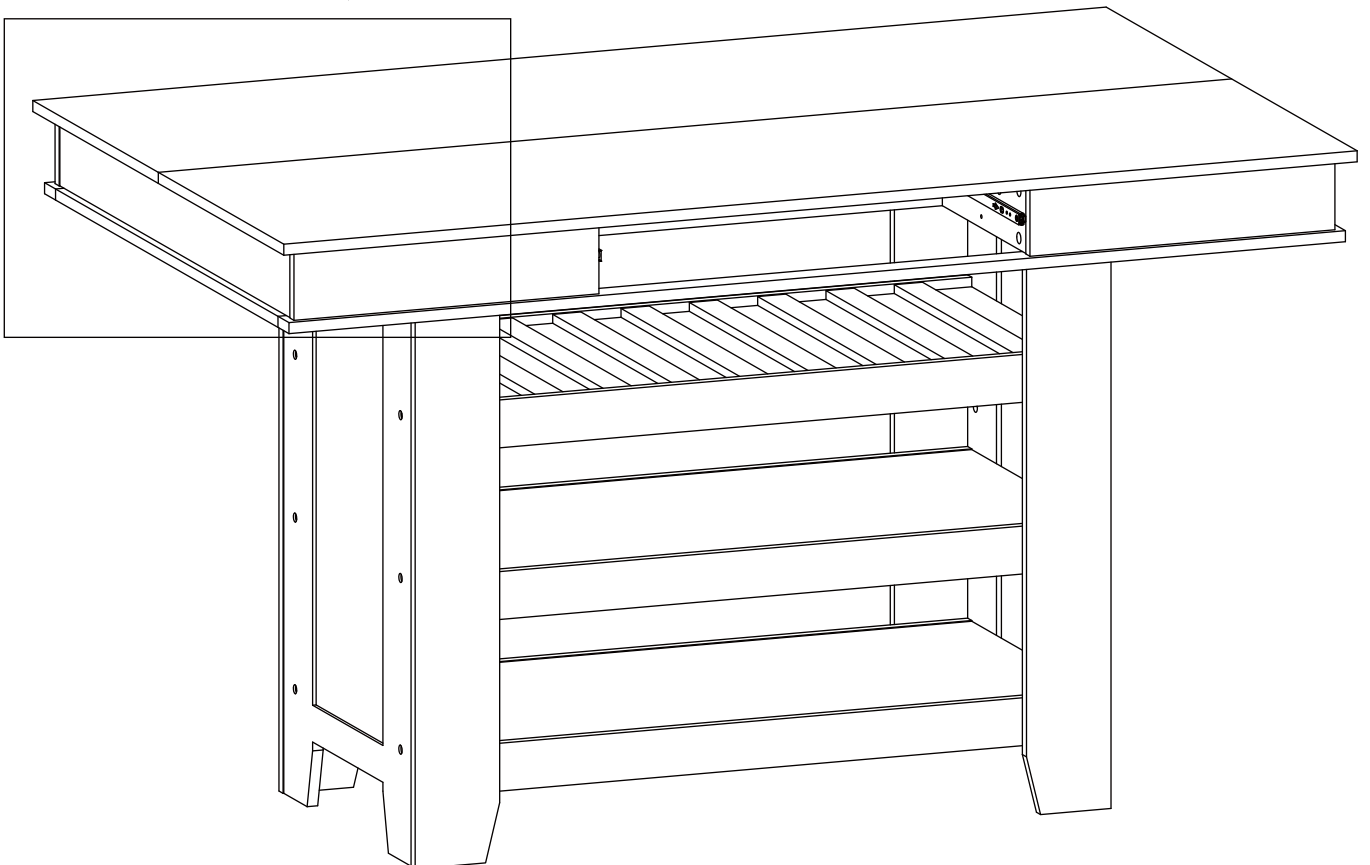
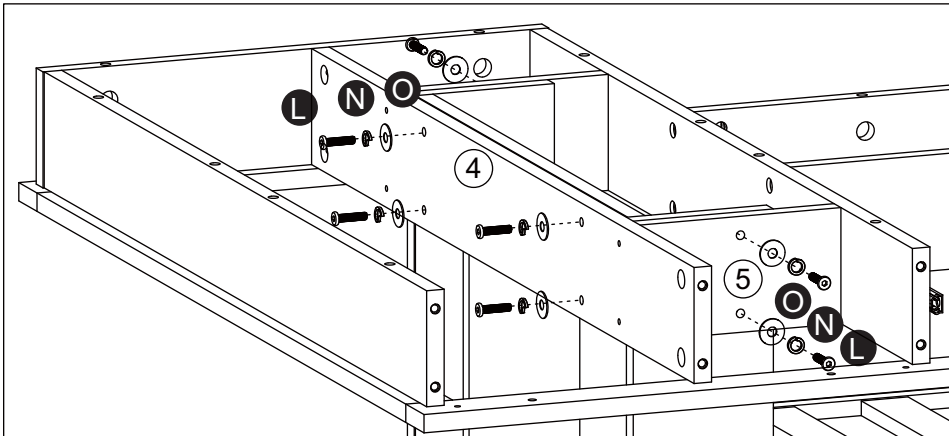
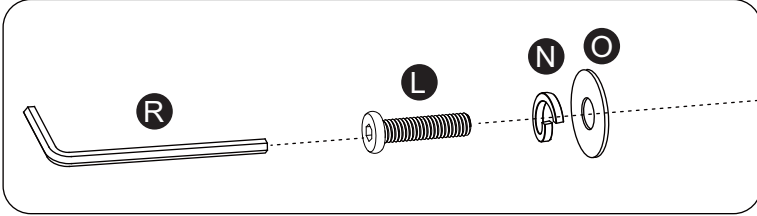


CAUTION: Heavy! You may need assistance with this step.

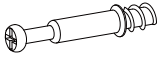

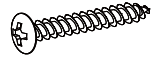
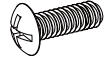



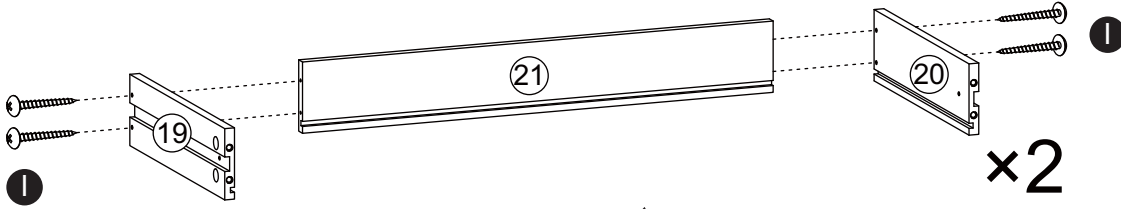
Step 17

| | | | |
|---|---|---|---|
| L × 16 | N × 16 | O × 16 | R × 1 |
|  |  |  |  |

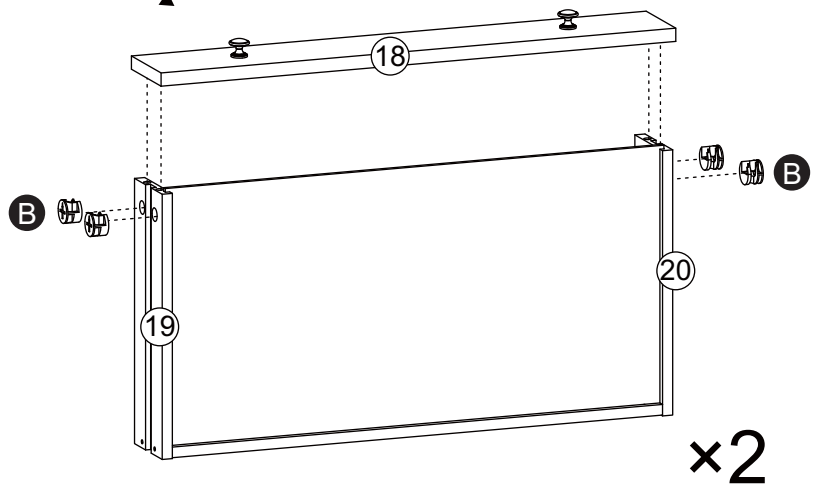
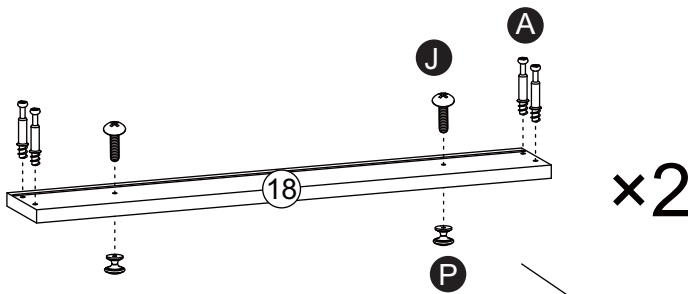
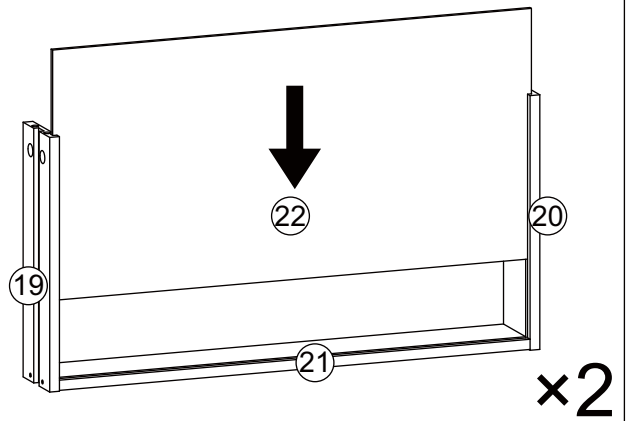


Step 18

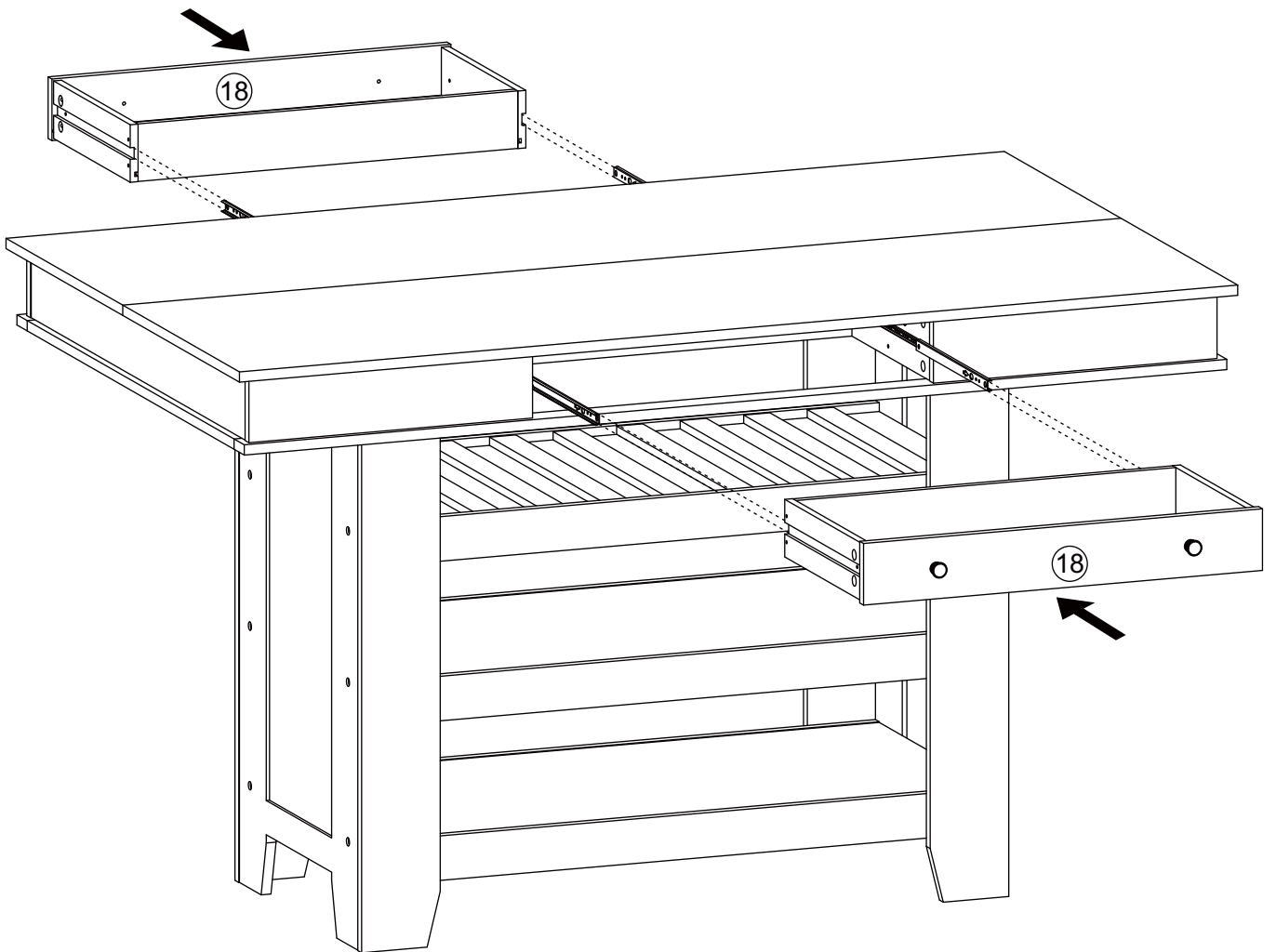
| | | | | |
|---|---|--|---|---|
| A × 8 | B × 8 | I × 8 | J × 4 | P × 4 |
|  |  |  |  |  |





90°
Rotate the drawer box after this step

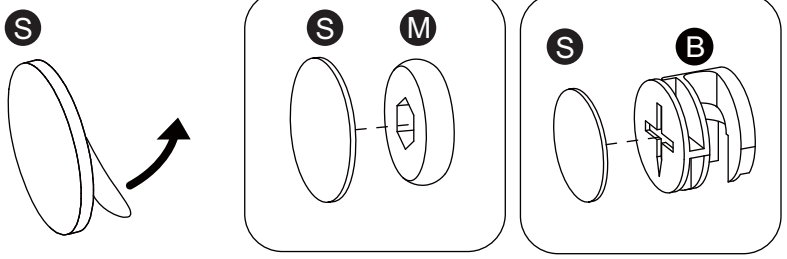
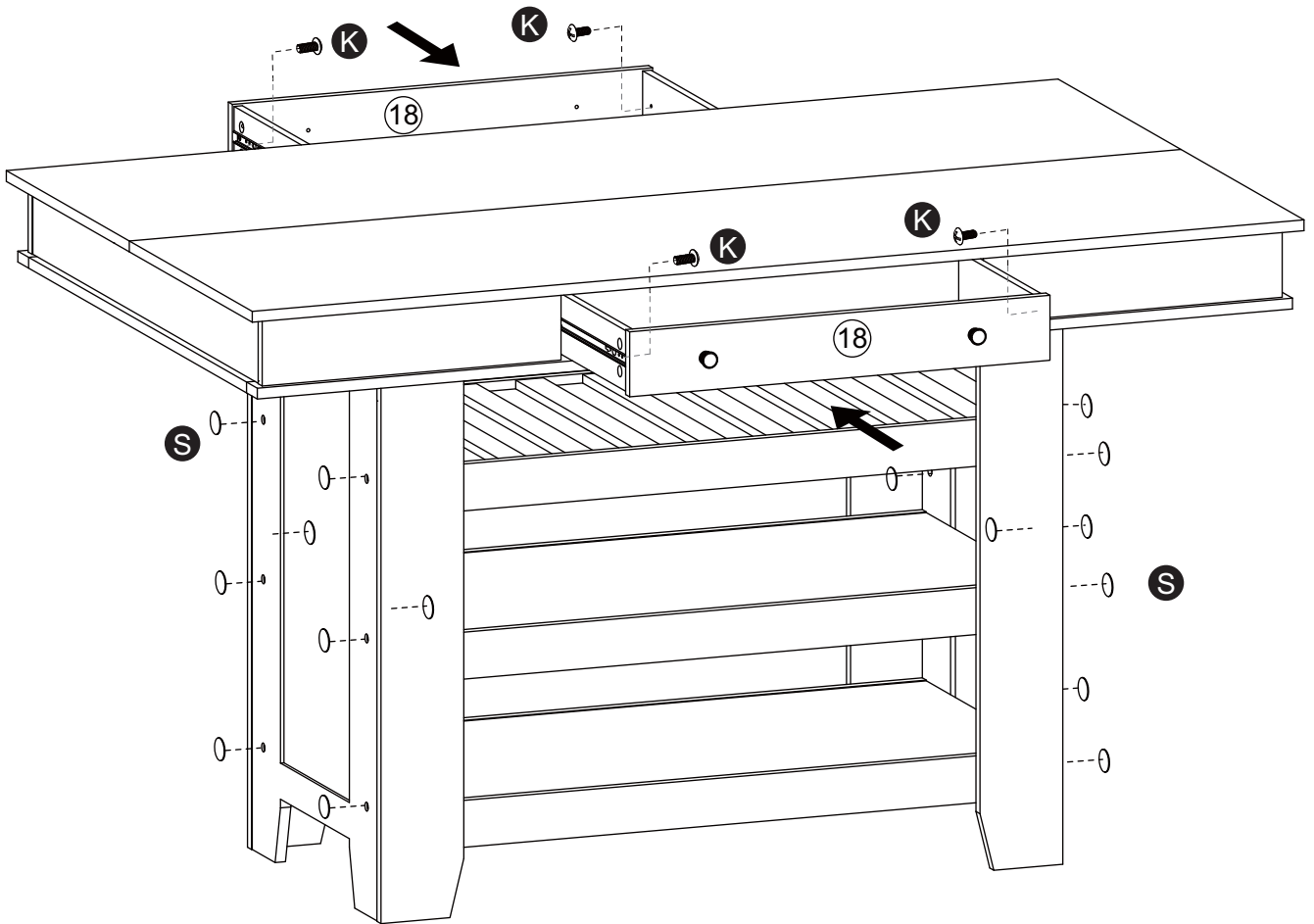
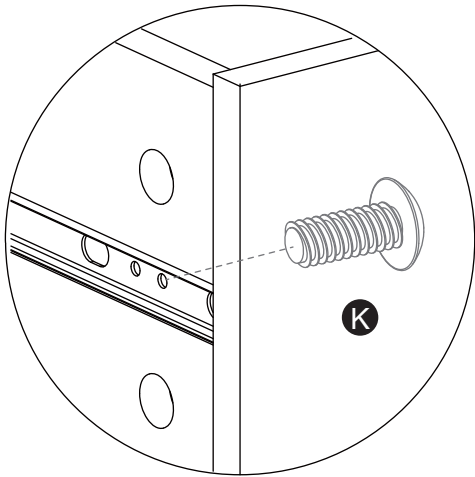


Step 19



Step 20

| | |
|---|---|
| K × 4 | S × 16 |
|  |  |



Use the paper sticker (S) to cover the screw and cam holes if needed