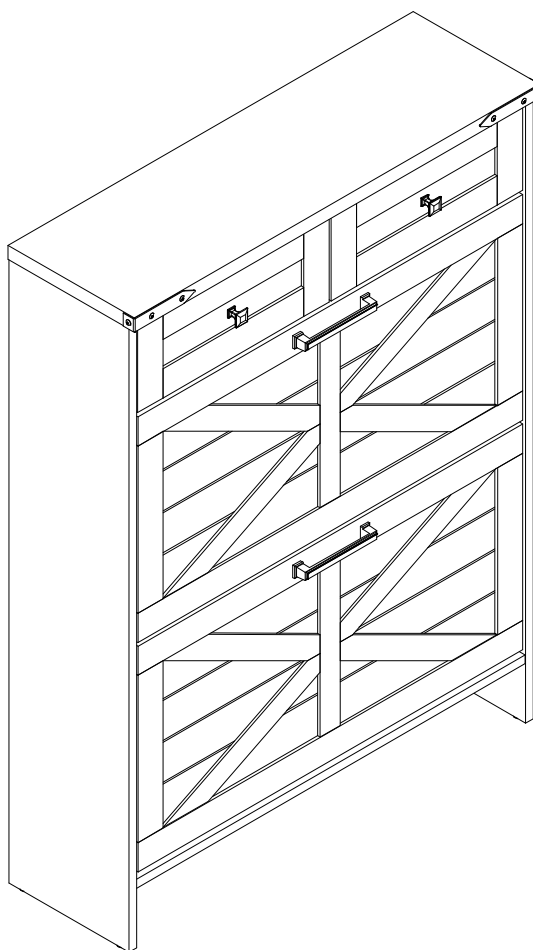


Assembling Instruction

Generating Drawings

CY9021



Because it's a narrow cabinet, it must permanently fixed to the wall with included anti-tipping device to prevent the cabinet from tipping over. It will be very stable and safe when locked on the wall.

ATTENTION

If there is any missing, please kindly send us messages to let us know the name of missing part regarding to the first page of instructions.

Please also provide us your full address so we can send replacement to you as soon as possible

We are concerned about each customer's experience, if there is any loss or damage, please contact us at any time, we will provide effective solutions.

Customer service E-mail: cservice2@yeah.net

Please attach your Order ID so that we can assist you better

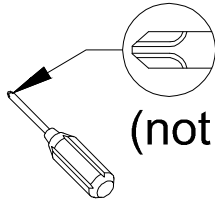
Children have died from furniture tipover. To reduce the risk of furniture tipover.

ALWAYS install tipover restraint provided.



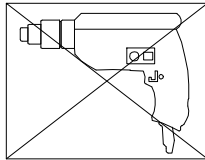
General Assembly Guidelines

- I. Ensure that all Parts and hardware are available before beginning assembly.
- II. Follow each step carefully to ensure the proper assembly of this Product.
- III. Two People are recommended for ease in the assembly of this Product.
- IV. The three main types of hardware used to assemble this Product are : wood dowels , screws and bolts.
- VI. A Phillips head screwdriver is required for the assembly of this Product .



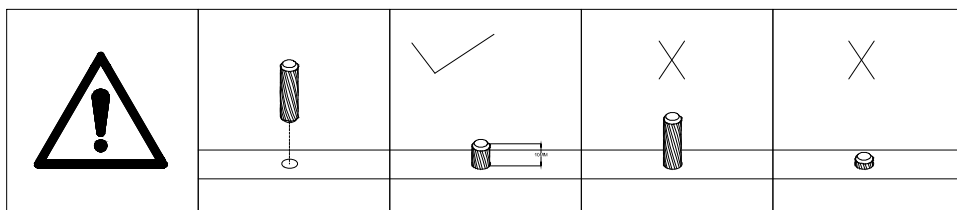
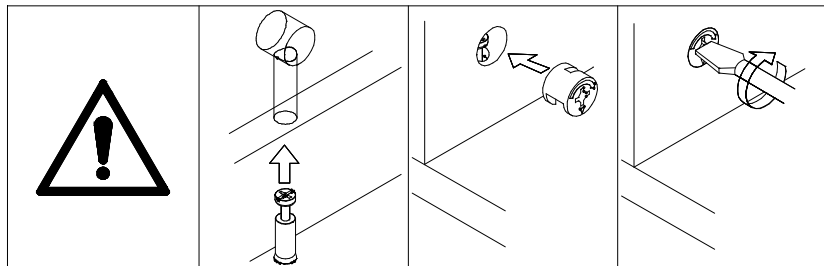
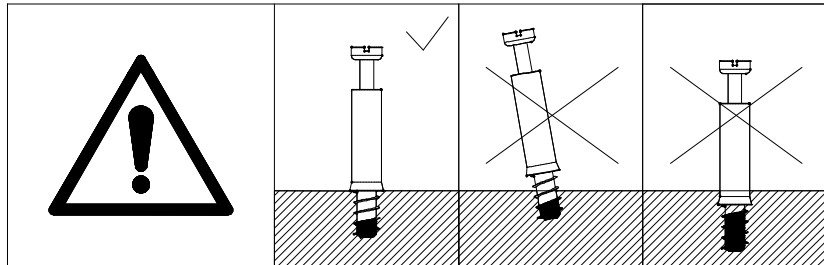
(not included)

- VII. Power tools should not be used to assemble this Product .

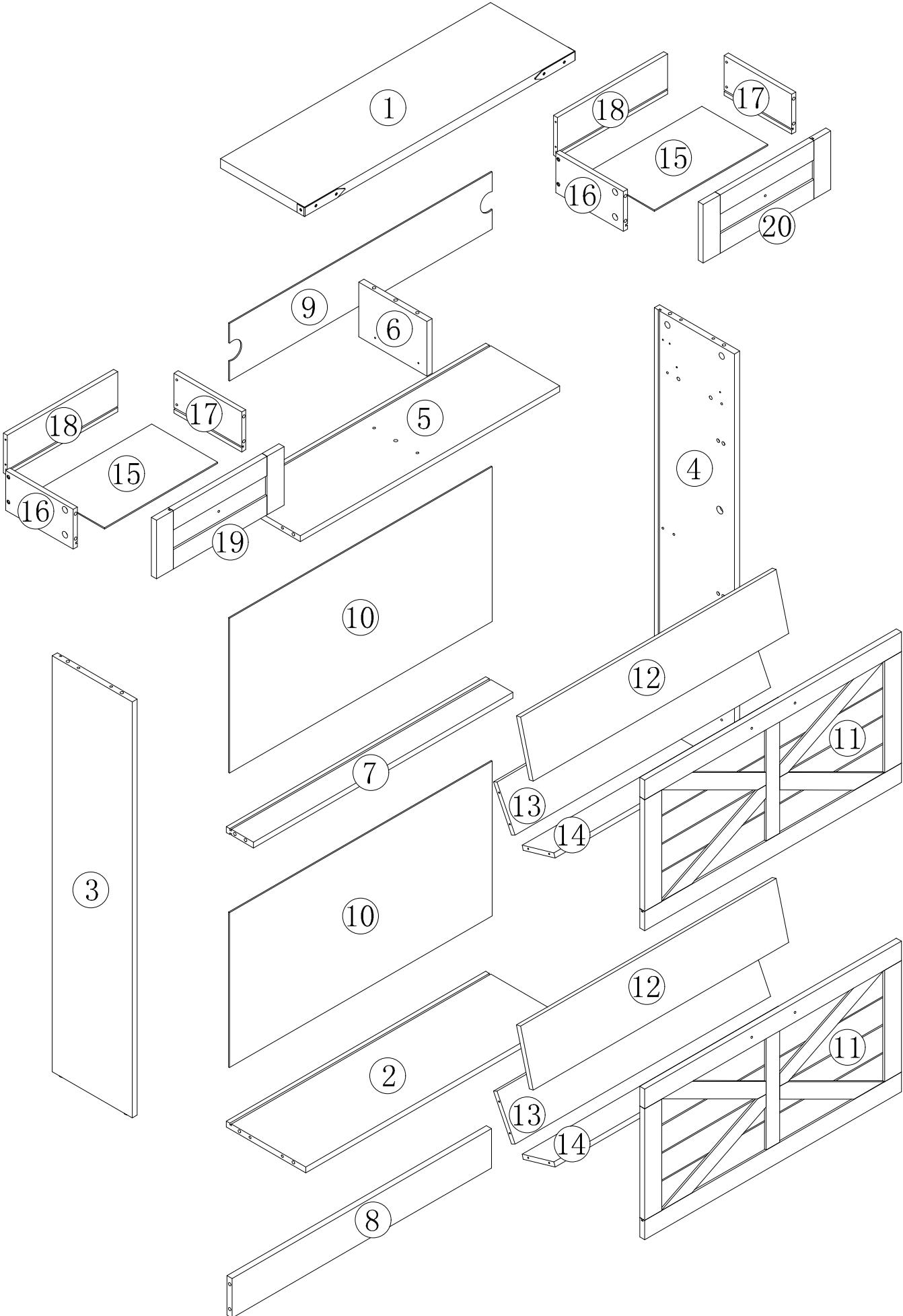


CAM LOCK/BOLT FASTENING INTRODUCTION

(You will use it during assembly)

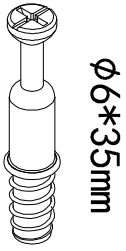


Parts List



HARDWARE PACK CONTENT

A



φ6*35mm

30X+2

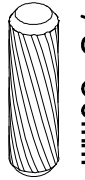
B



φ15*11.5mm

22X+2

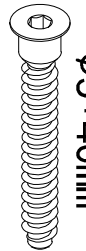
C



φ8*30mm

14X+1

D



φ5*40mm

2X

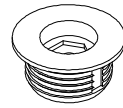
E



φ15*9.5mm

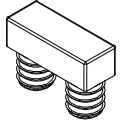
8X+1

F



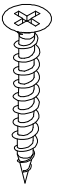
4X

G



4X

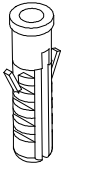
H



φ4*38mm

2X

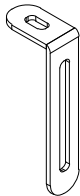
I



φ6*30mm

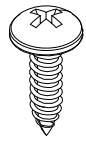
2X

J



2X

K



φ3.5*14mm

4X

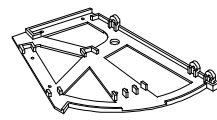
L



φ4*25mm

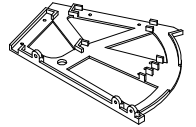
16X+2

M



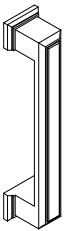
2X

N



2X

O



2X

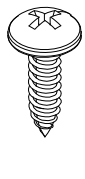
P



φ4*20mm

4X+1

Q



φ3.5*17mm

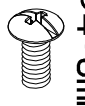
12X+1

R



4X

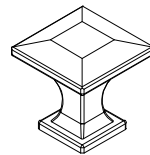
S



φ4*8mm

4X+1

T



2X

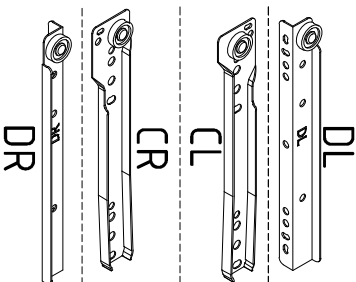
U



φ4*10mm

2X

V



2X

W



φ4*32mm

8X+1

X



φ3*12mm

20X+2

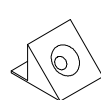
Y



φ3*15mm

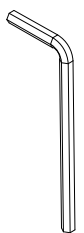
10X+1

Z



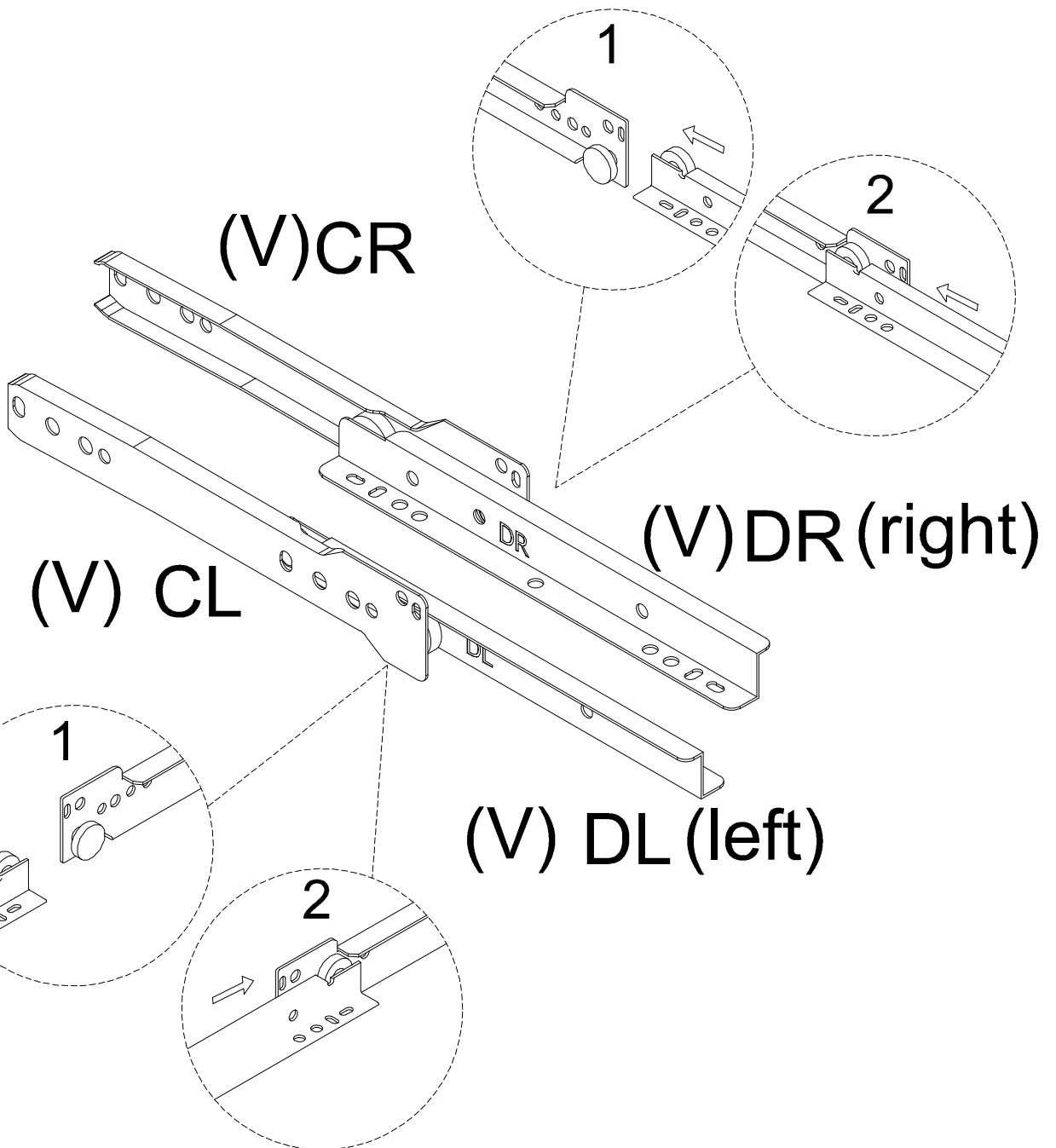
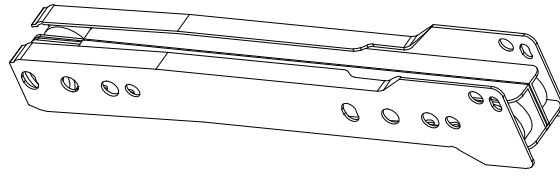
10X+1

AA



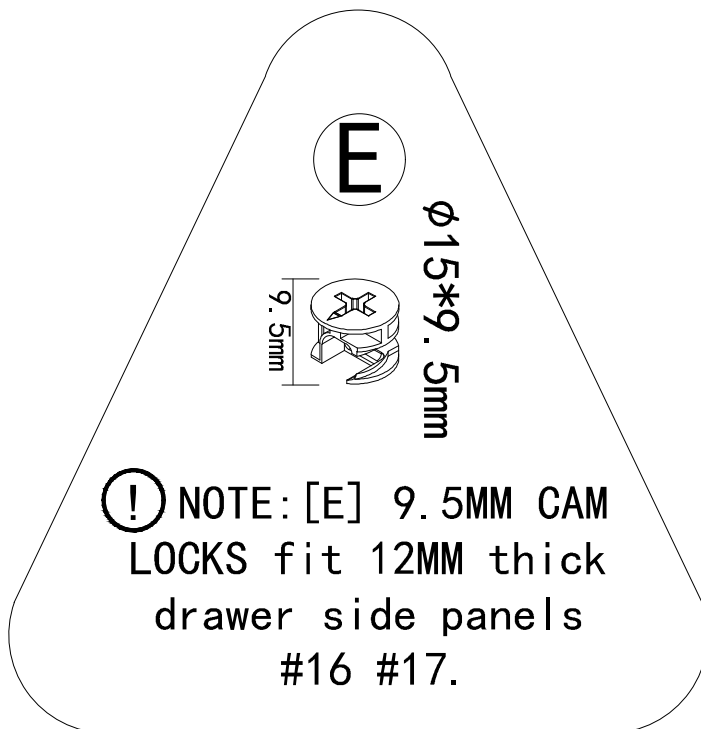
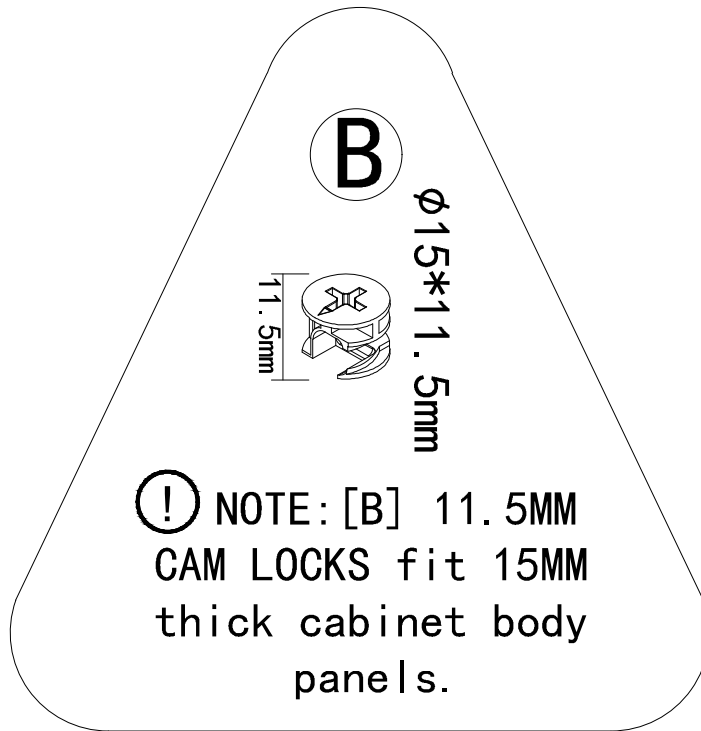
1X

Identify the slide rail according to the diagram

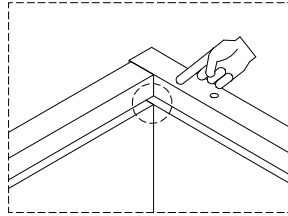





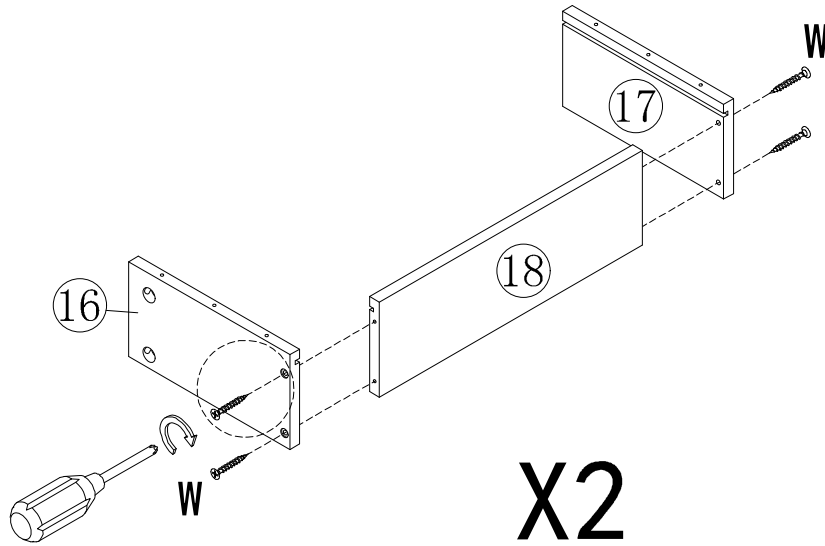
Please use [B] and [E] CAM LOCKS as shown in the illustrations.



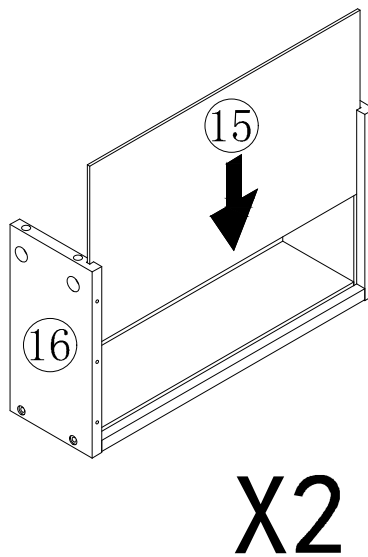
Step 1




W

X8

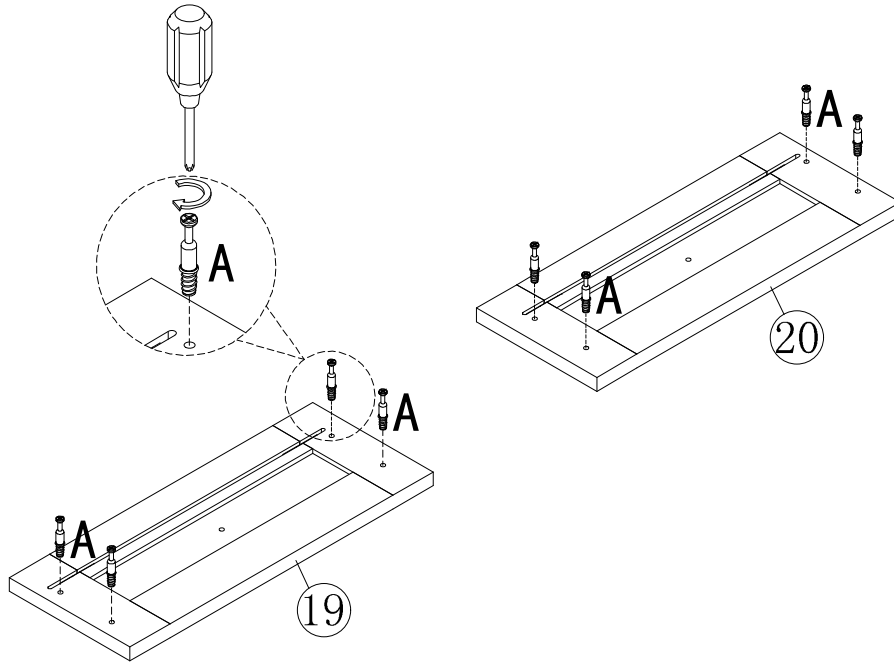


Step 2



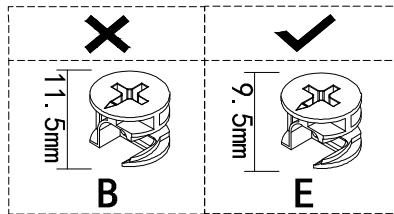
Step 3


A

X8

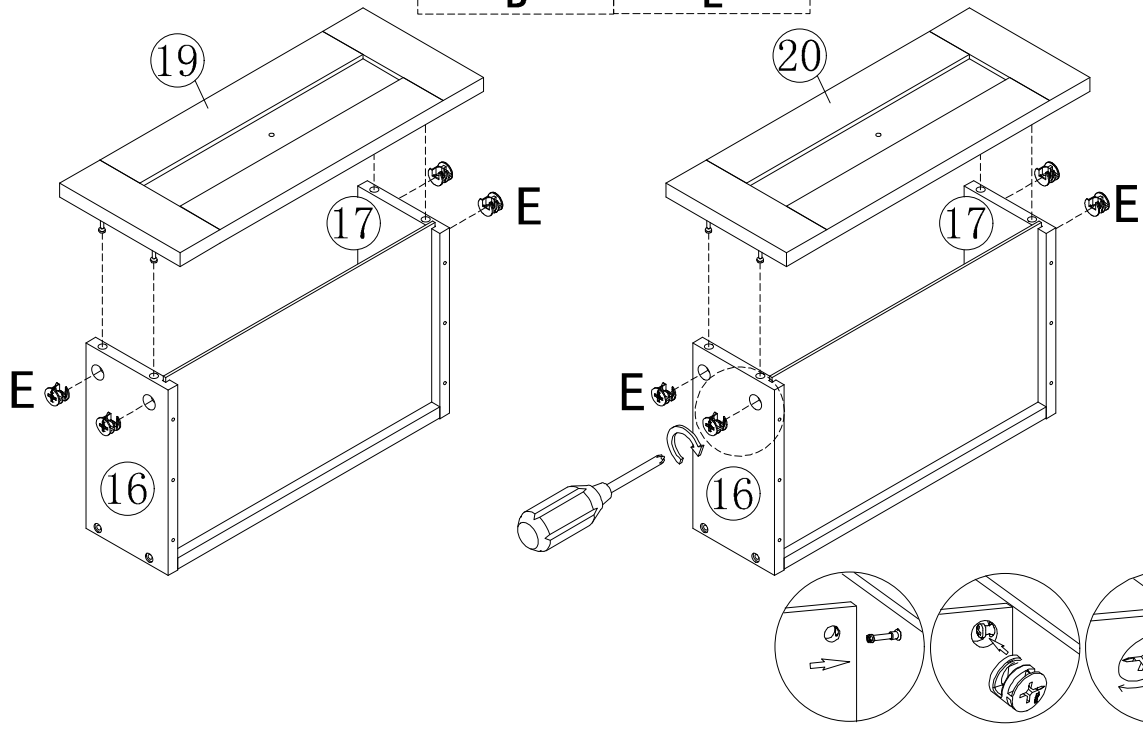


Step 4

NOTE: Be sure to use [E] 9.5MM CAM LOCKS for the drawer side panels #16 and #17

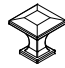



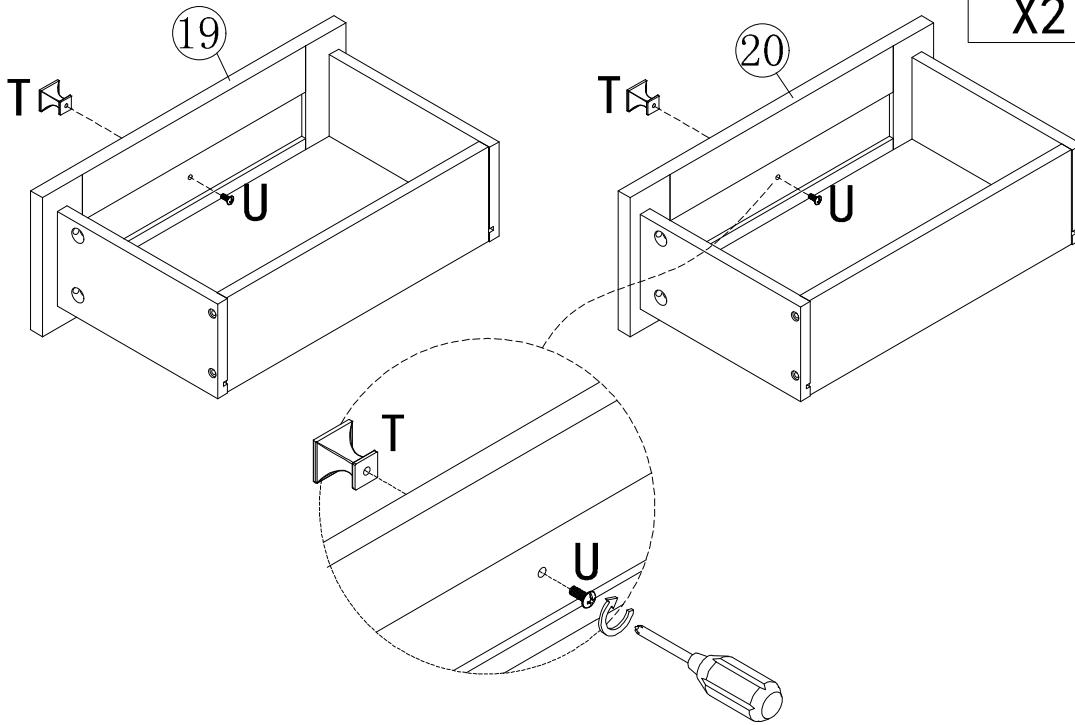
E

X8






Step 5

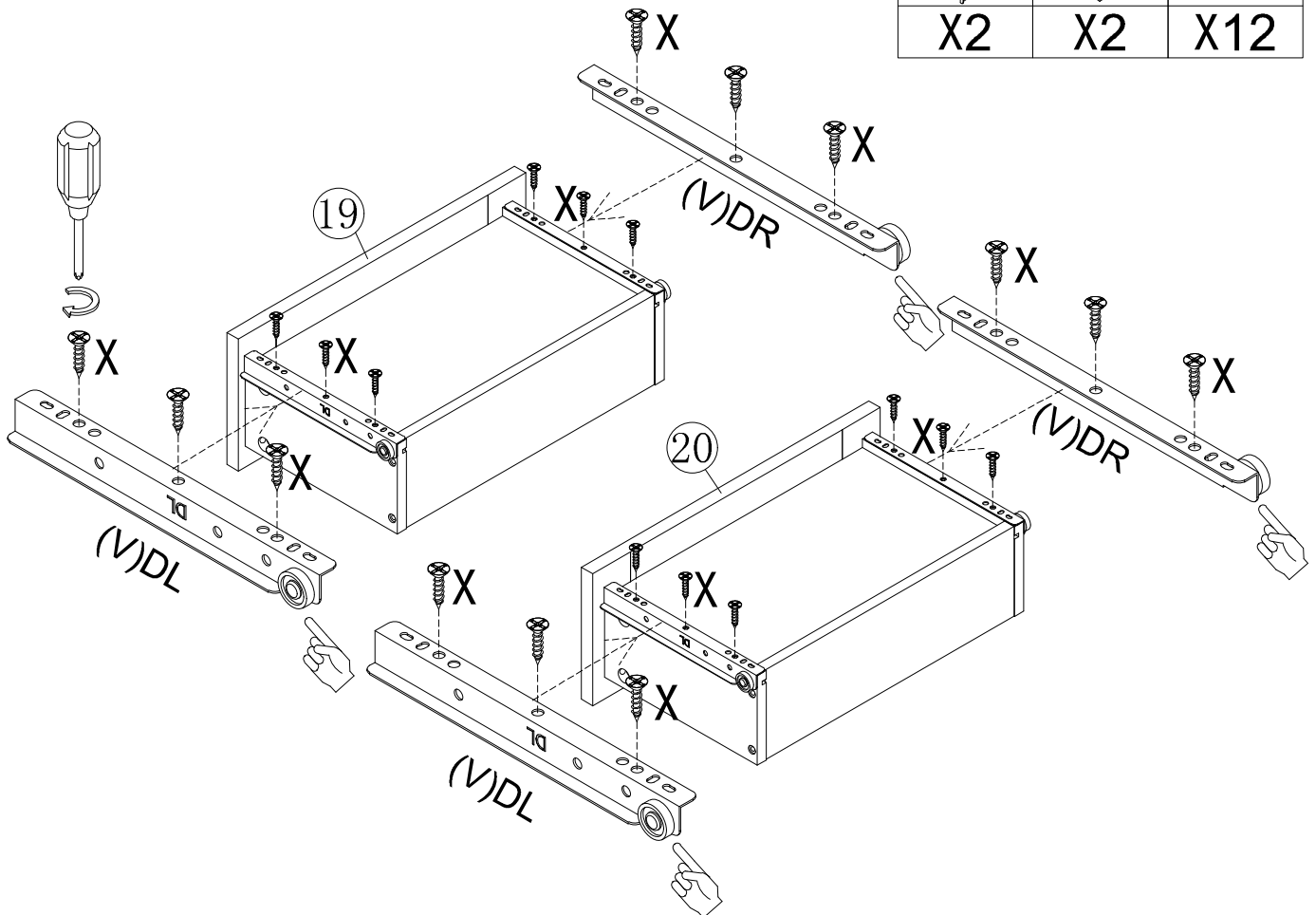
NOTE: Please use two (U) 10MM bolt, Do NOT use short (S) bolt

T	U
	
X2	X2






Step 6

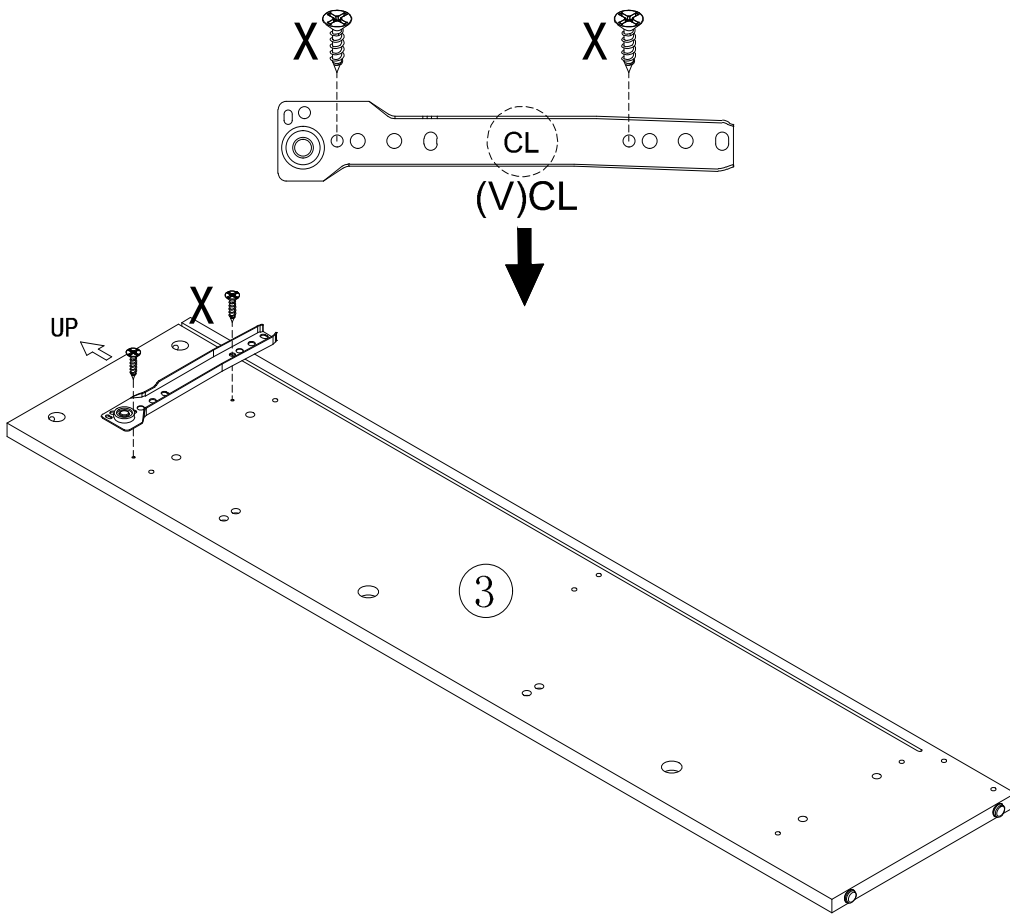
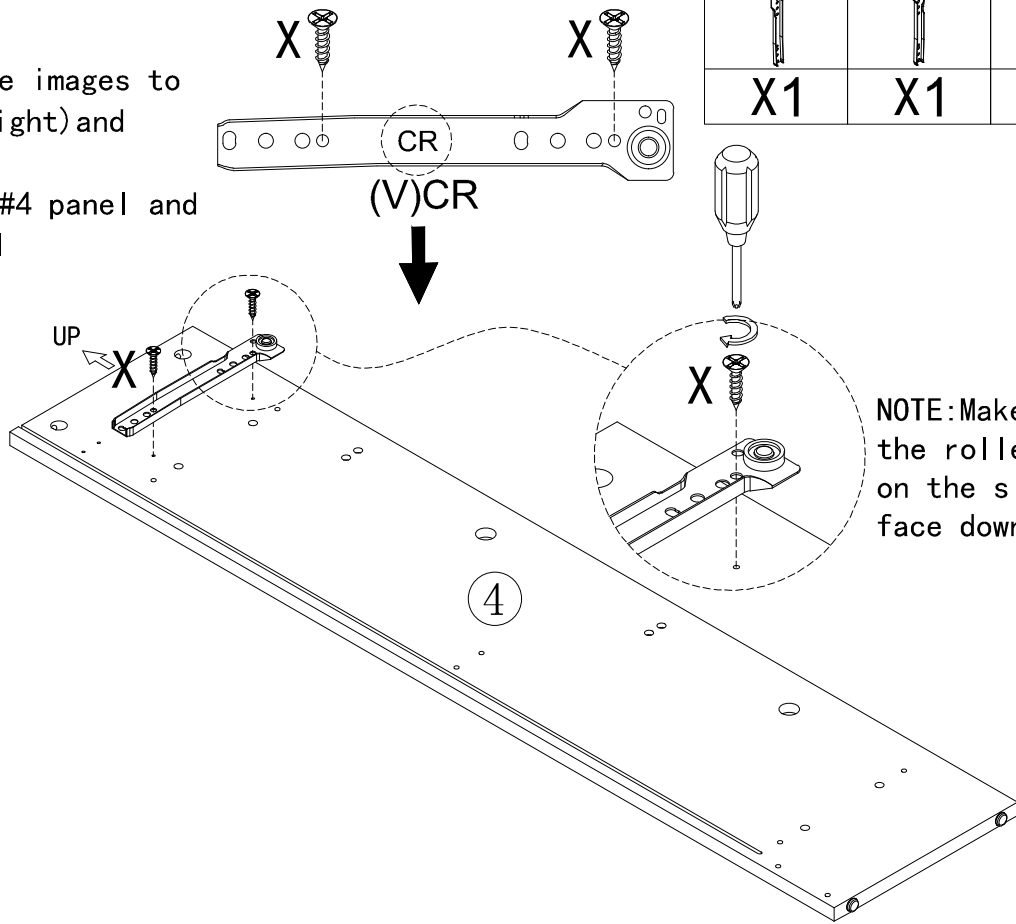
(V) DR	(V) DL	X
		
X2	X2	X12



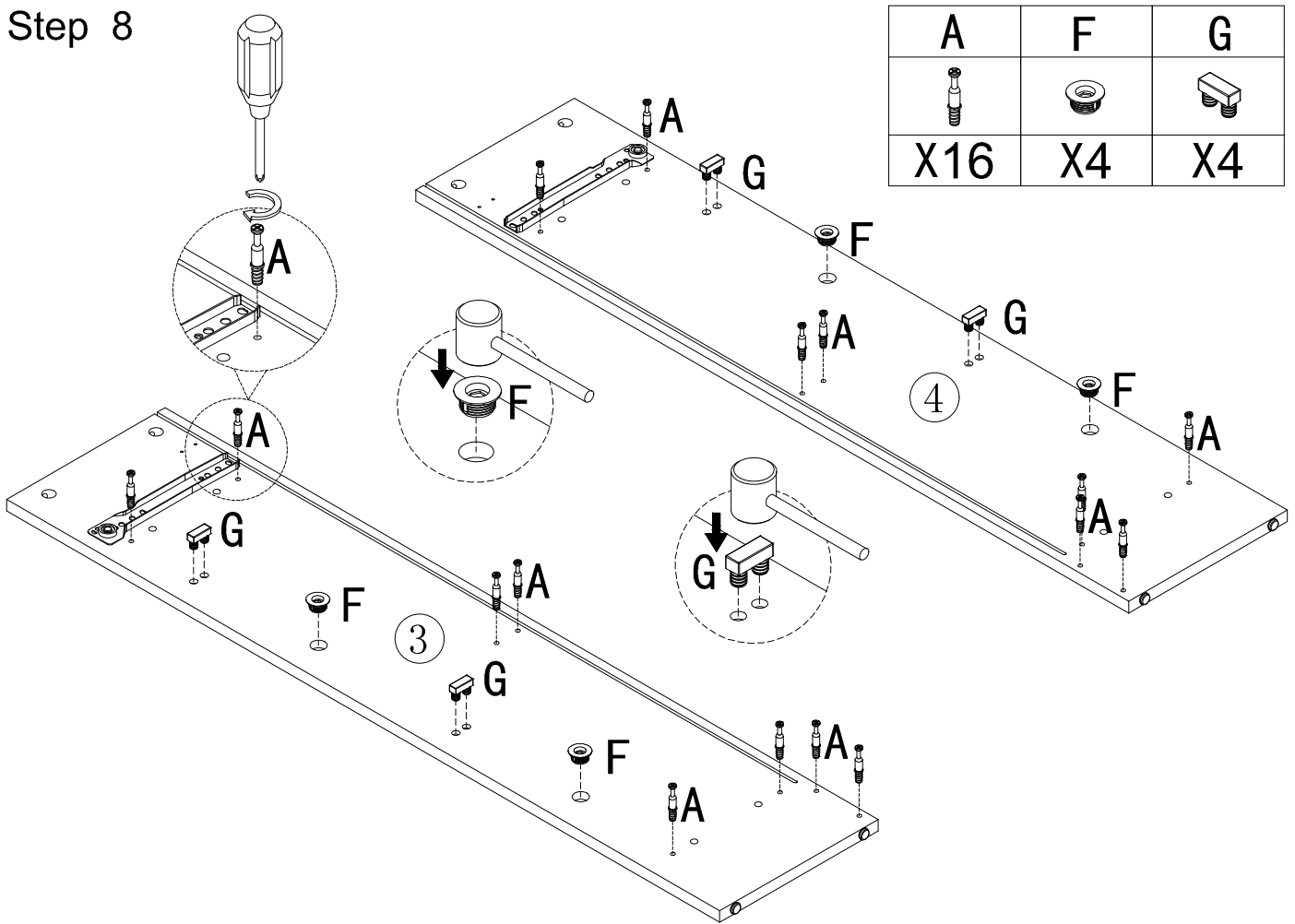
Step 7

NOTE: Refer to the images to identify (V) CR (right) and (V) CL (left).
Attach (V) CR to #4 panel and (V) CL to #3 panel

(V) CR	(V) CL	X
		
X1	X1	X4






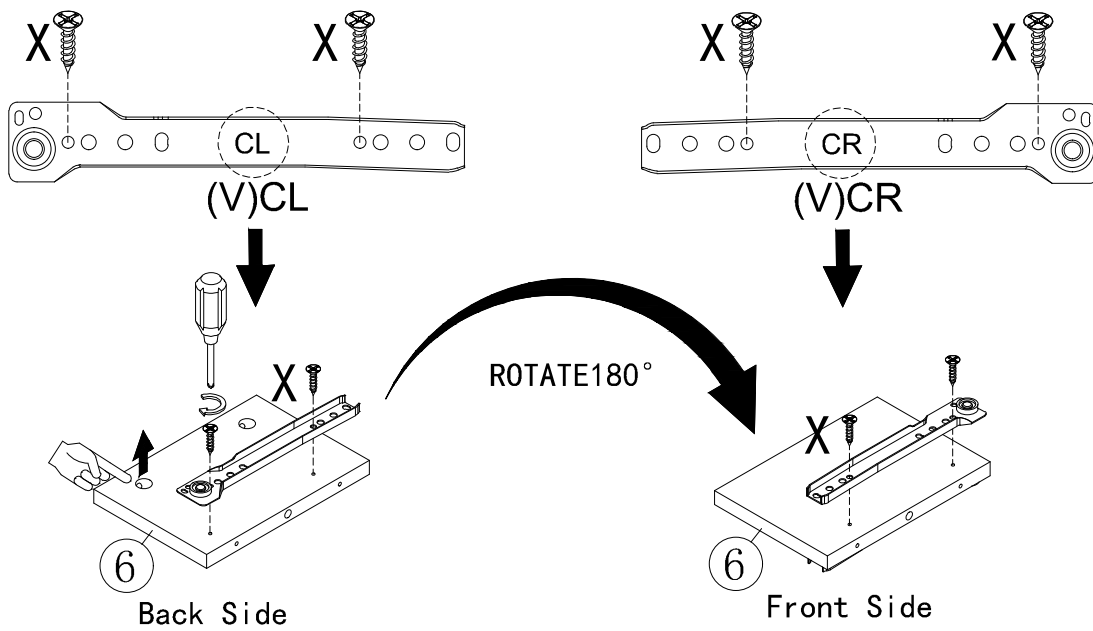
Step 8





Step 9

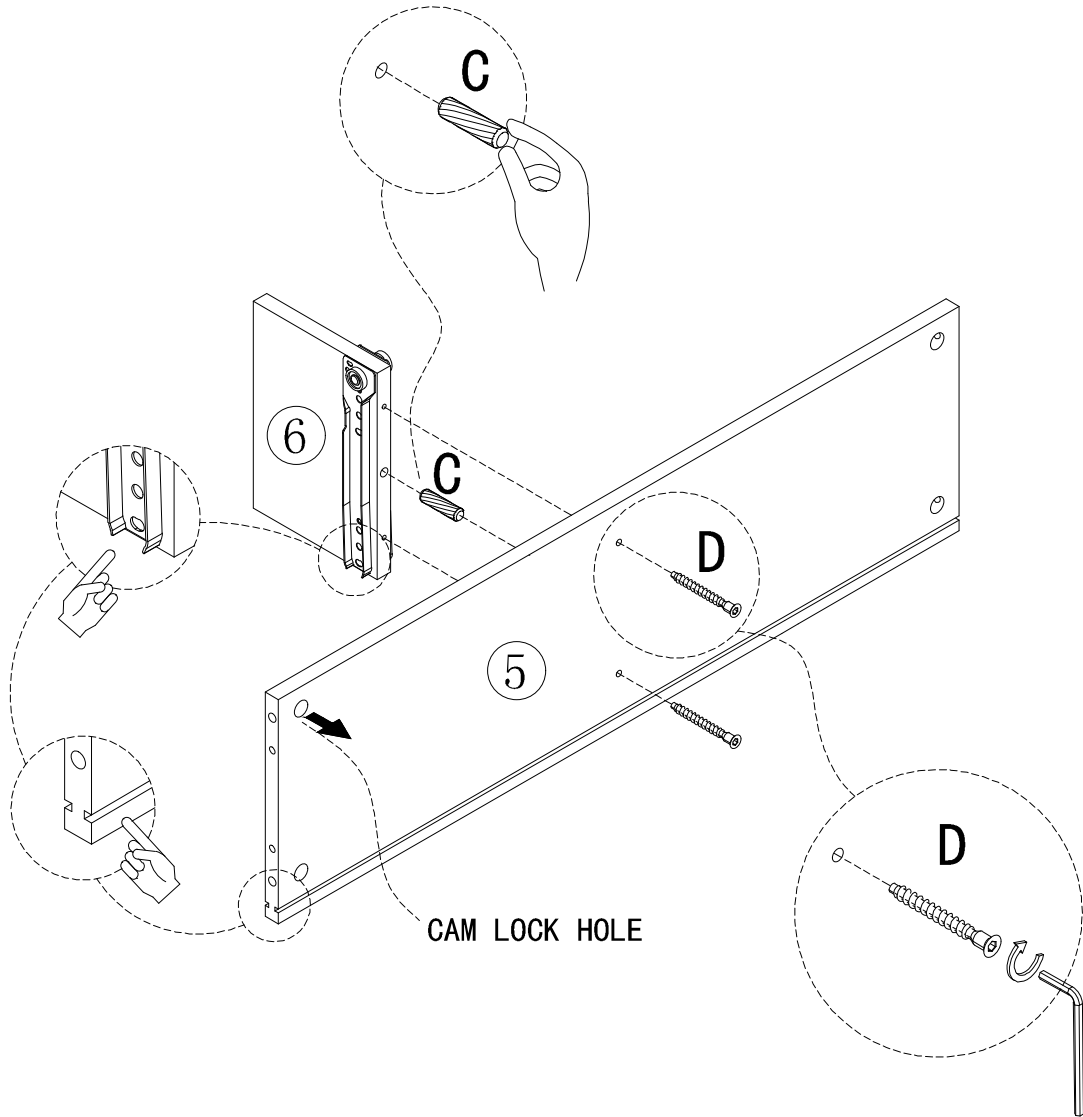
Note: This step involves only ONE Board ⑥

(V) CR	(V) CL	X
		
X1	X1	X4





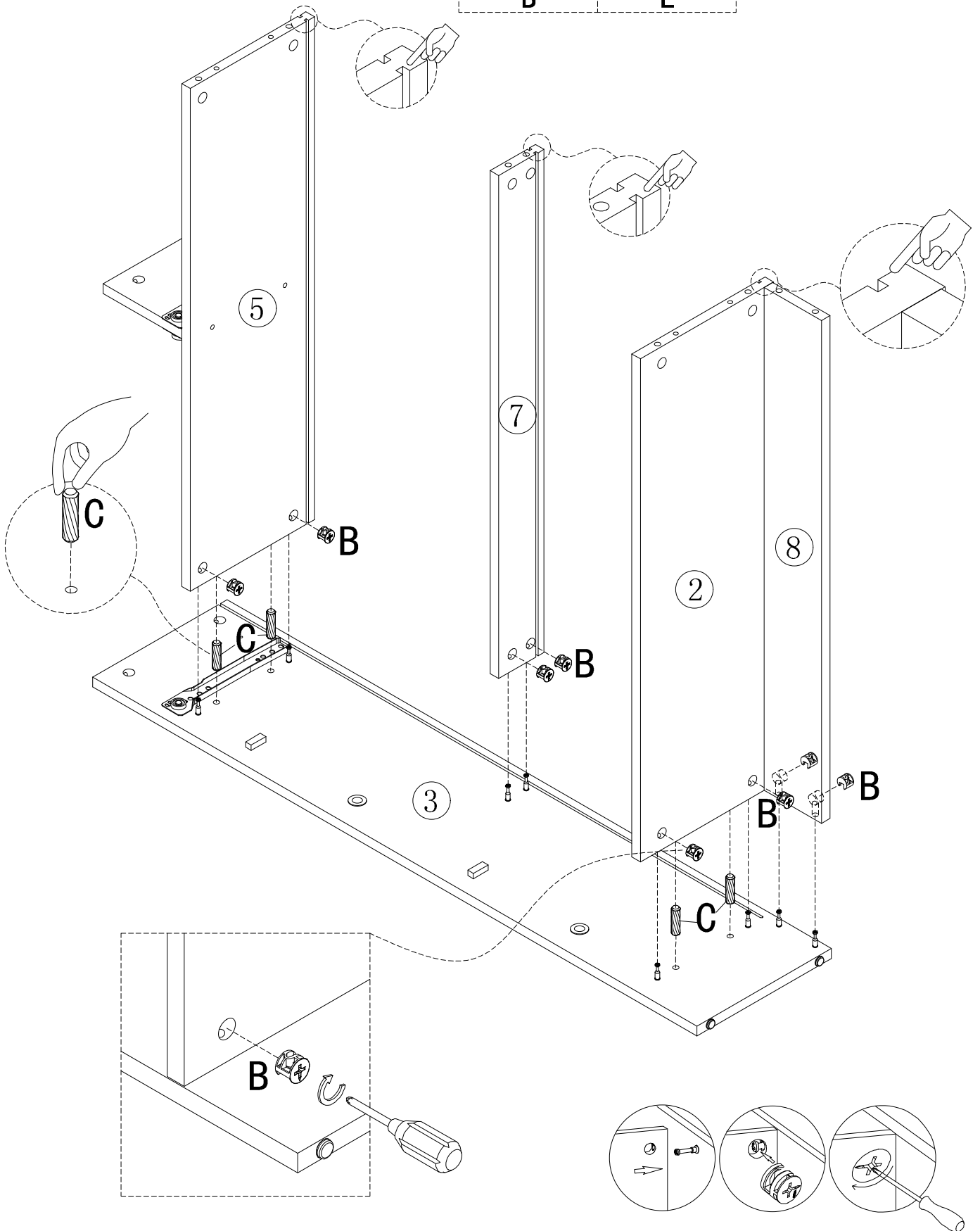
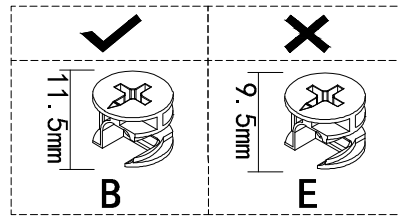
Step 10

C	D
	
X1	X2

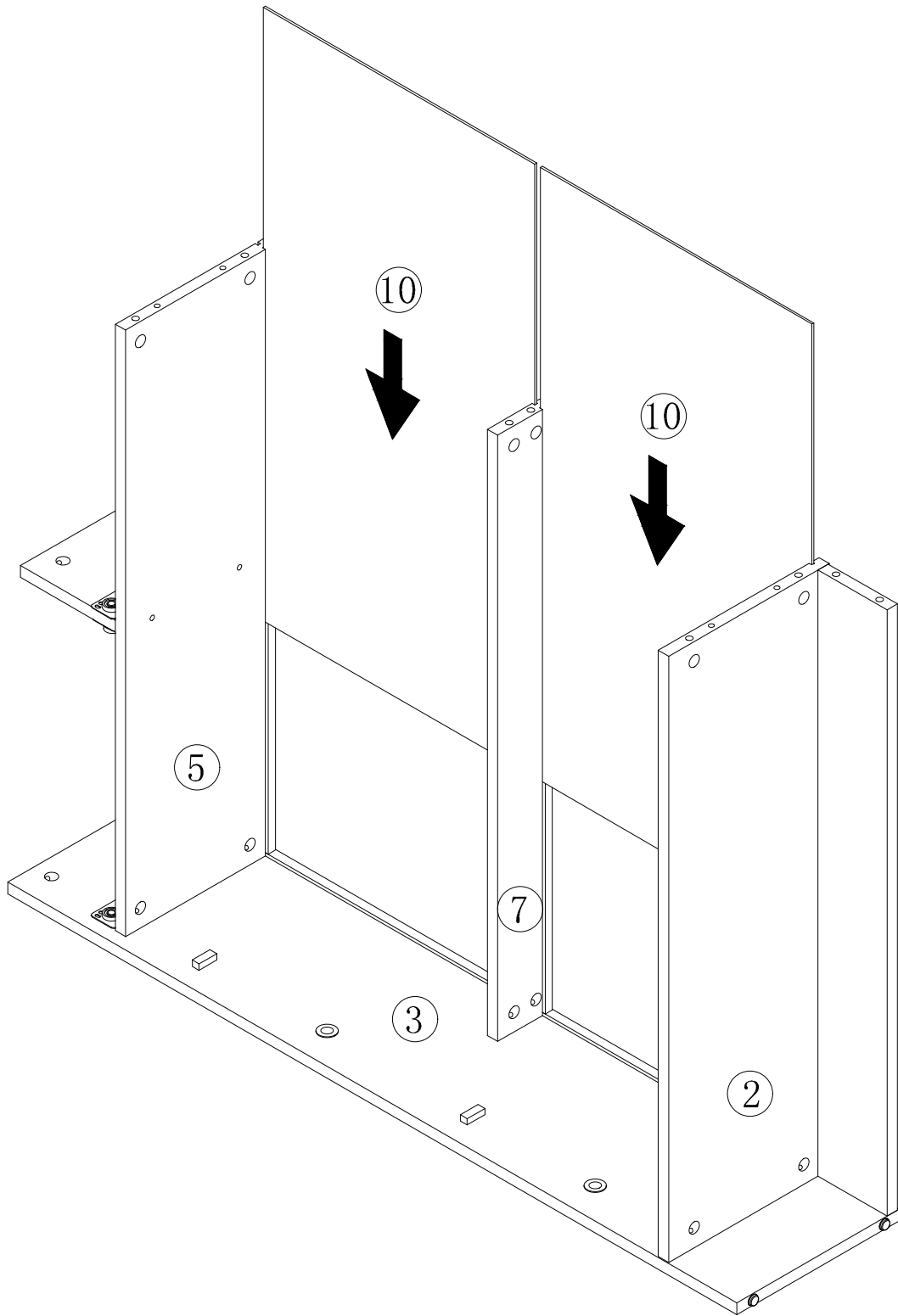


Step 11

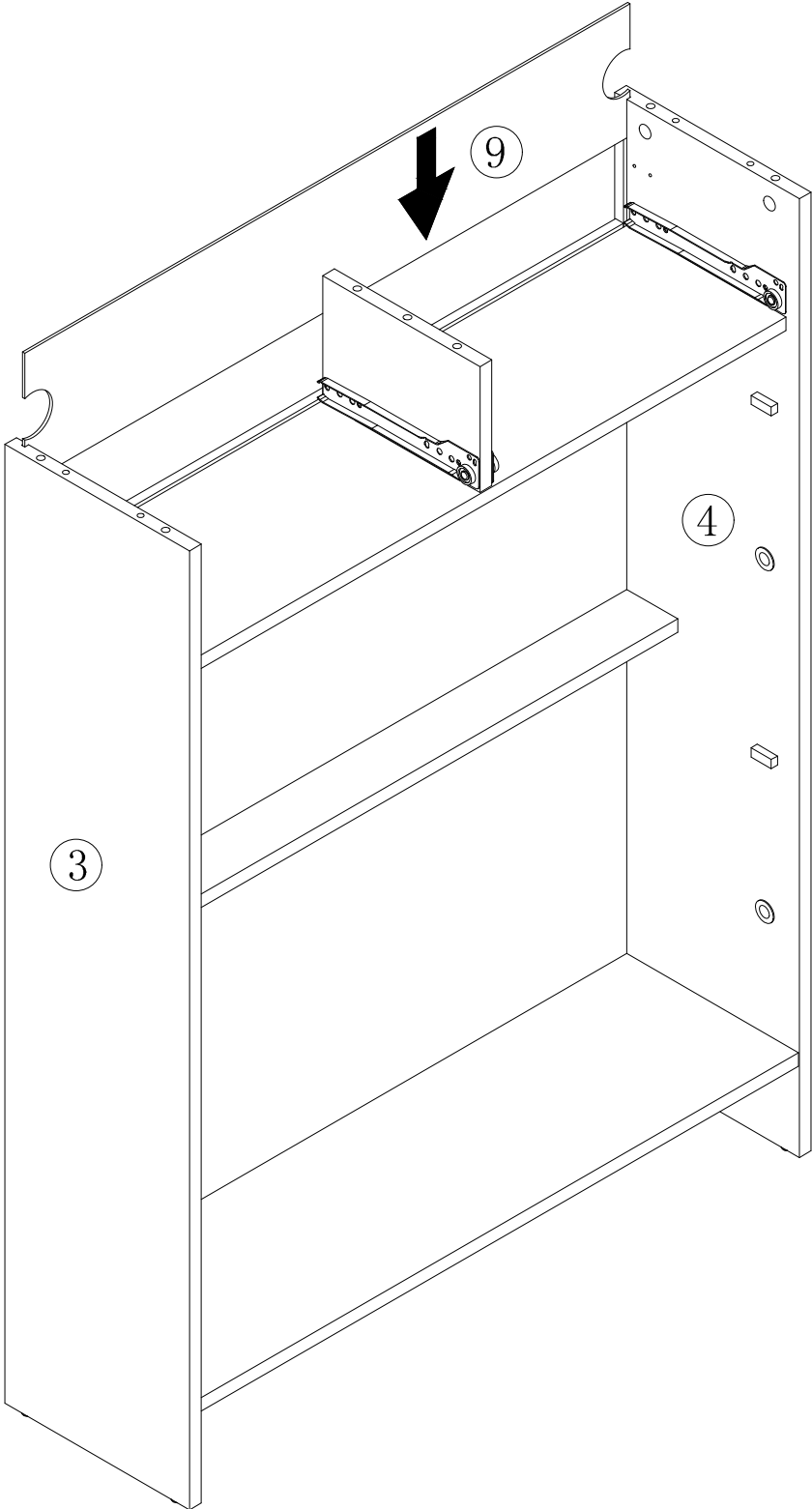
B	C
	
X8	X4



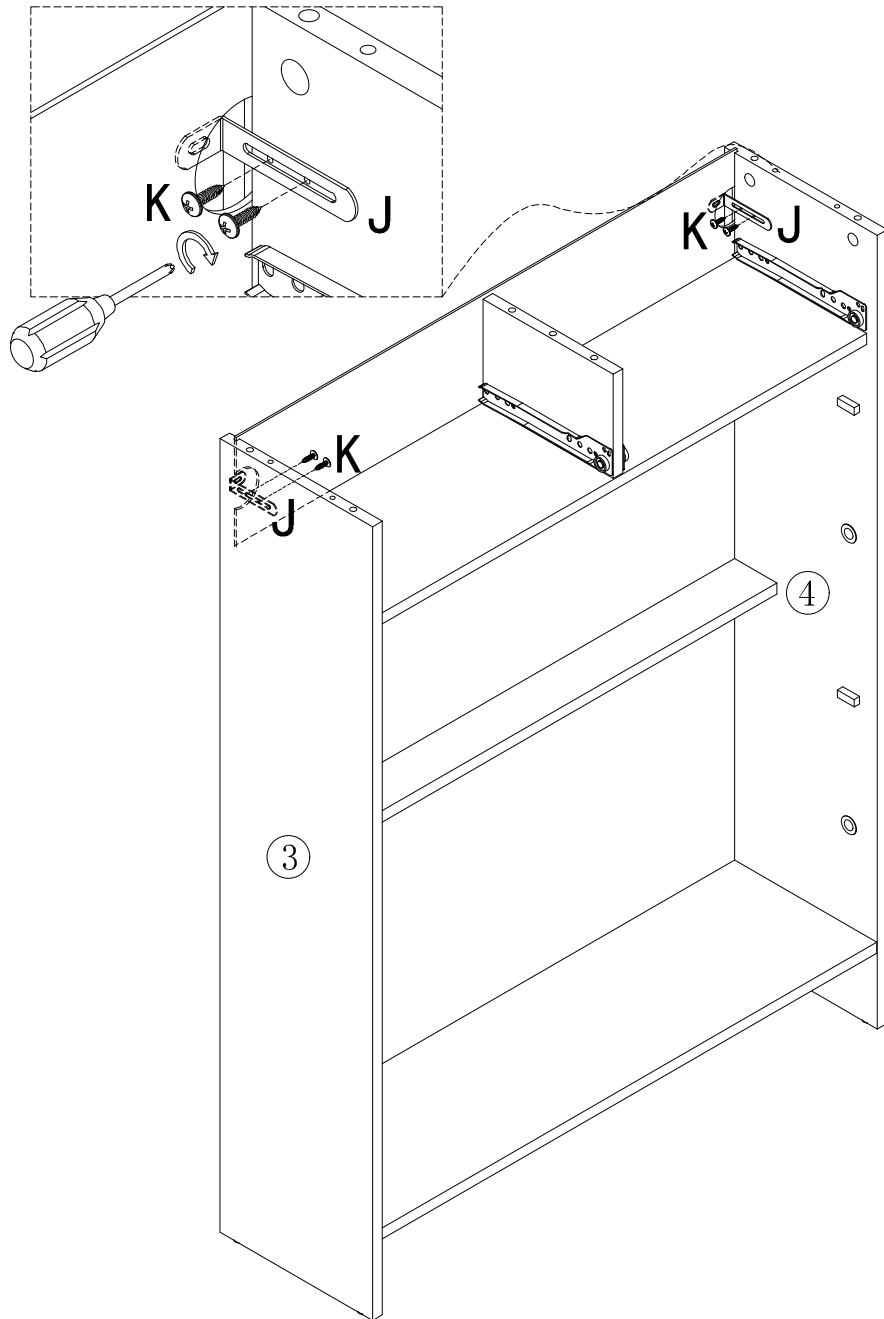
Step 12

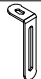



Step 14



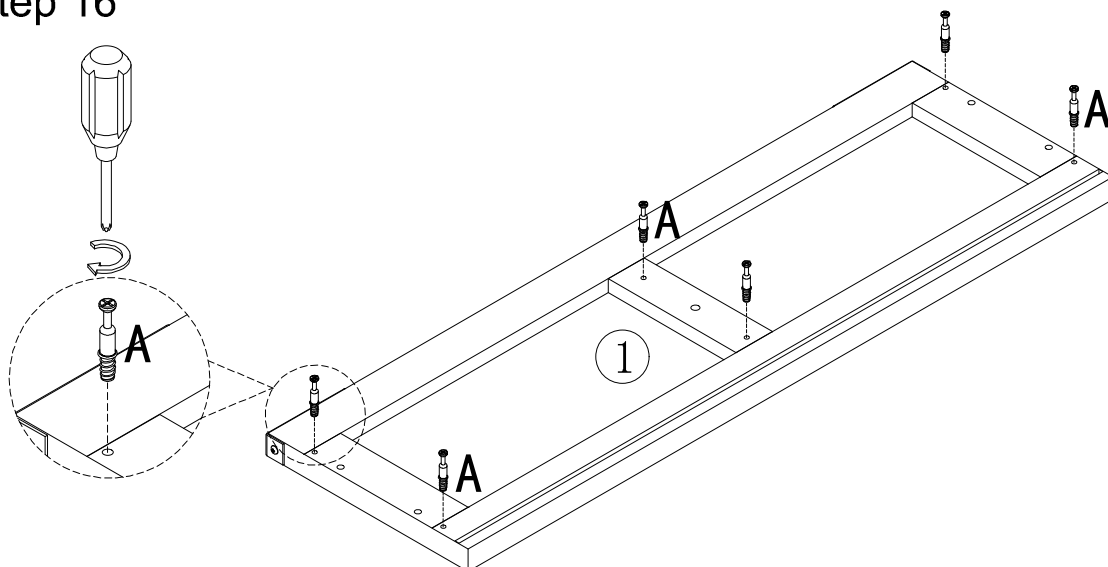
Step 15




J	K
	
X2	X4



NOTE: Do not fully tighten the K screws on the J fittings of #3 and #4 boards so you can adjust the distance when locking the wall

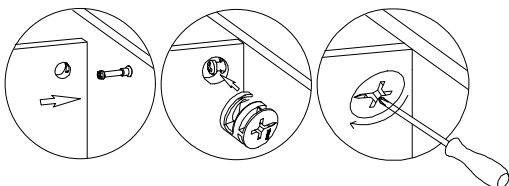
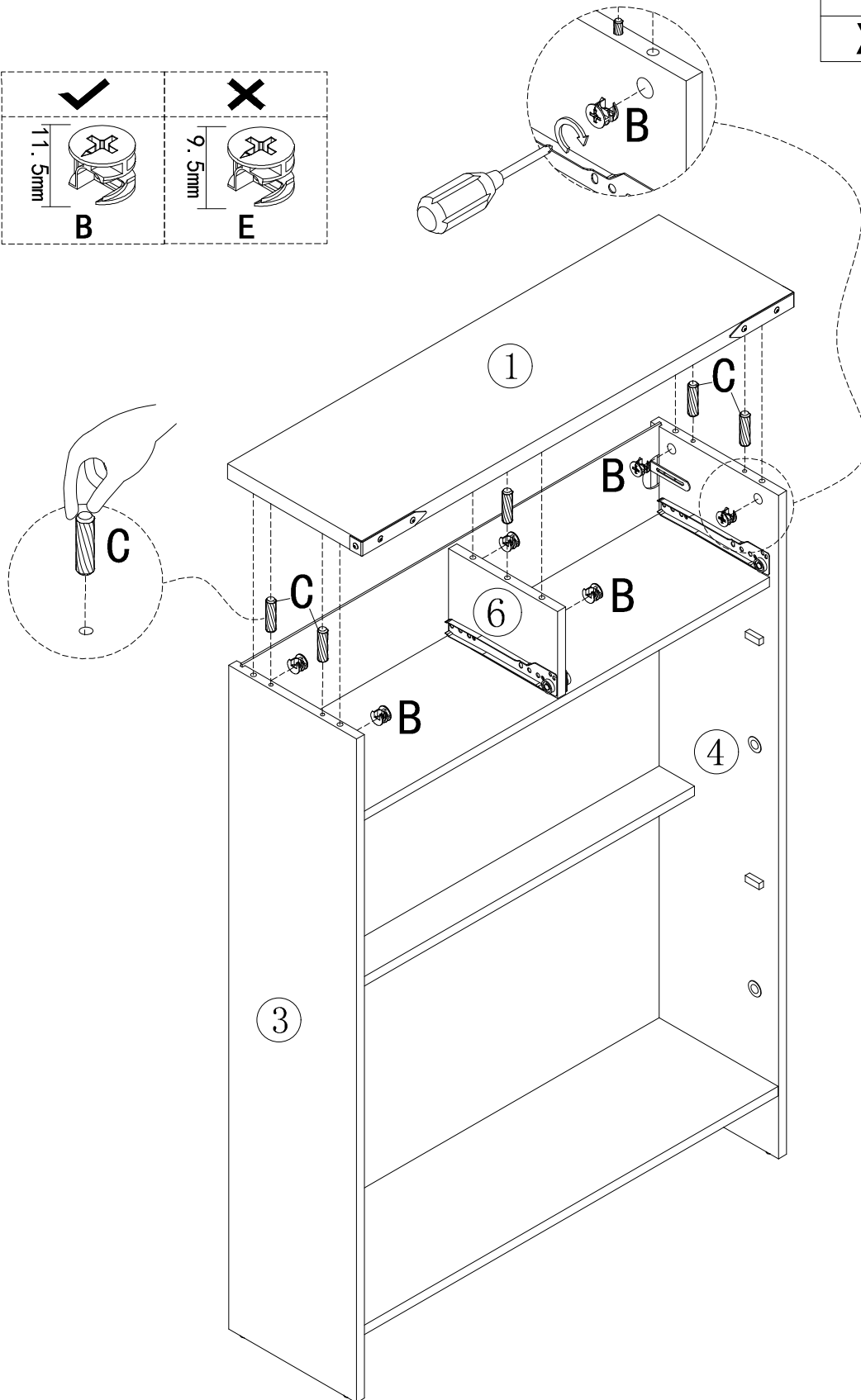
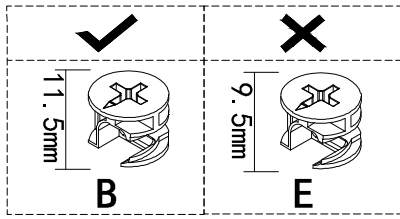
Step 16





A

X6

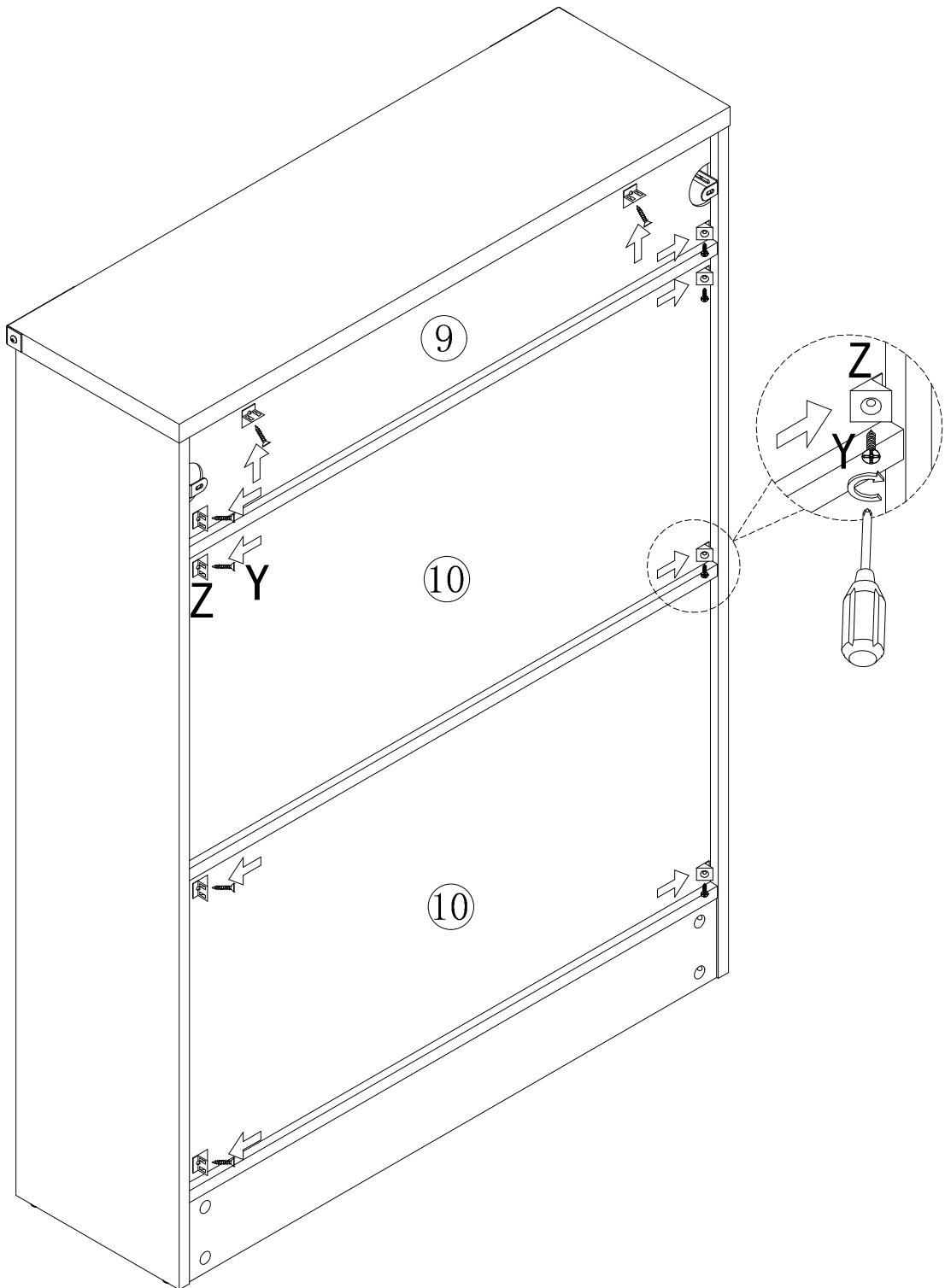
Step 17

B	C
	
X6	X5





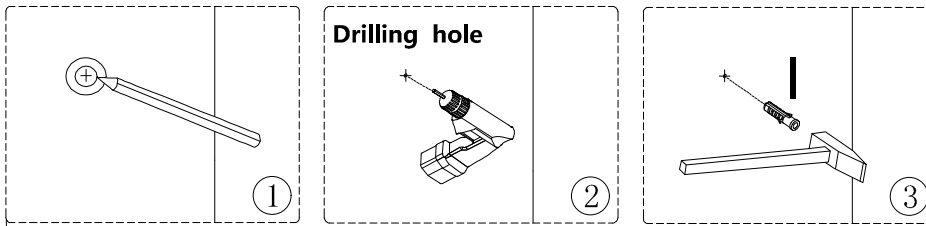
Step 18

Y	Z
	
X10	X10



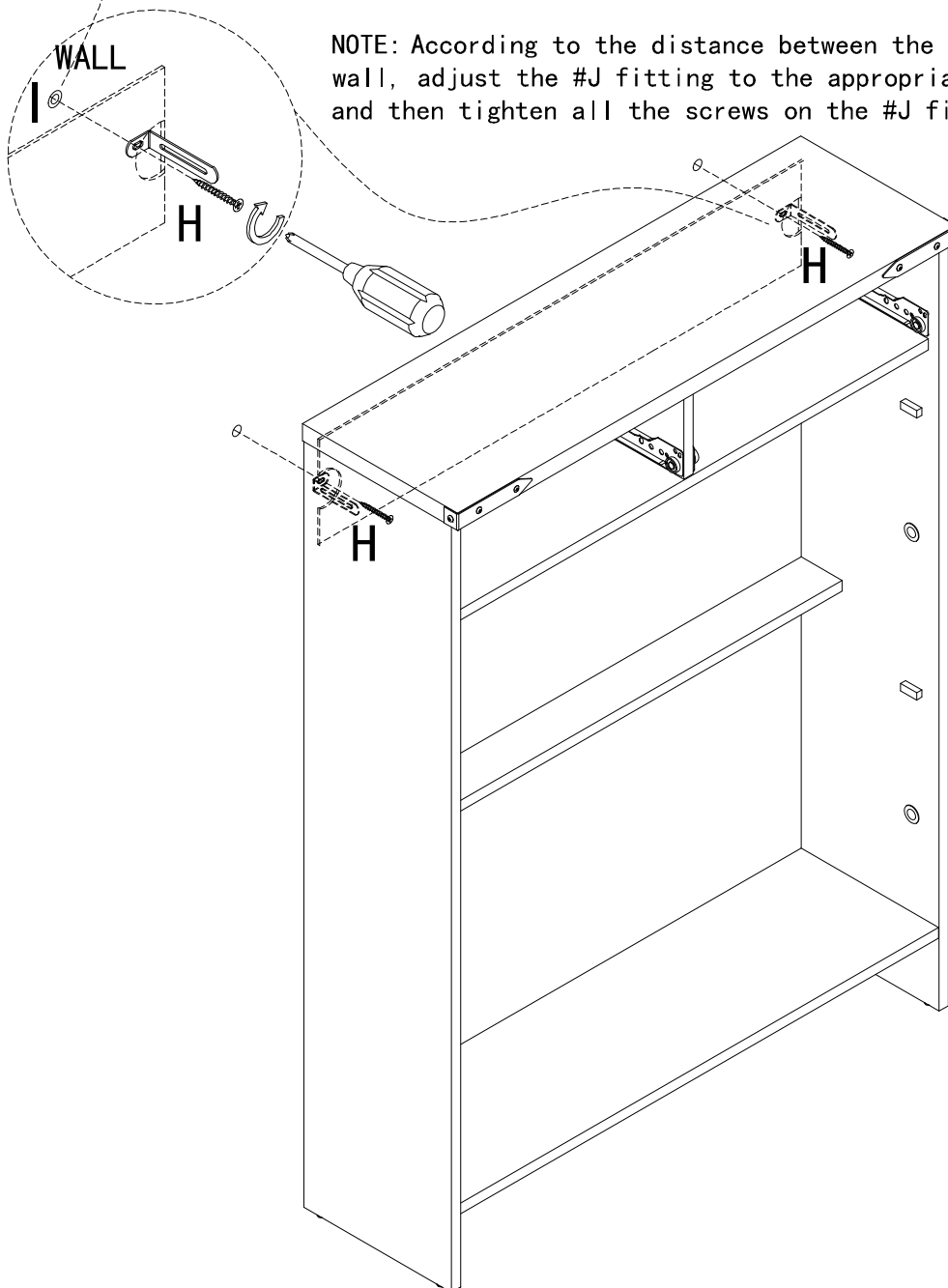
Step 19

H	I
	
X2	X2






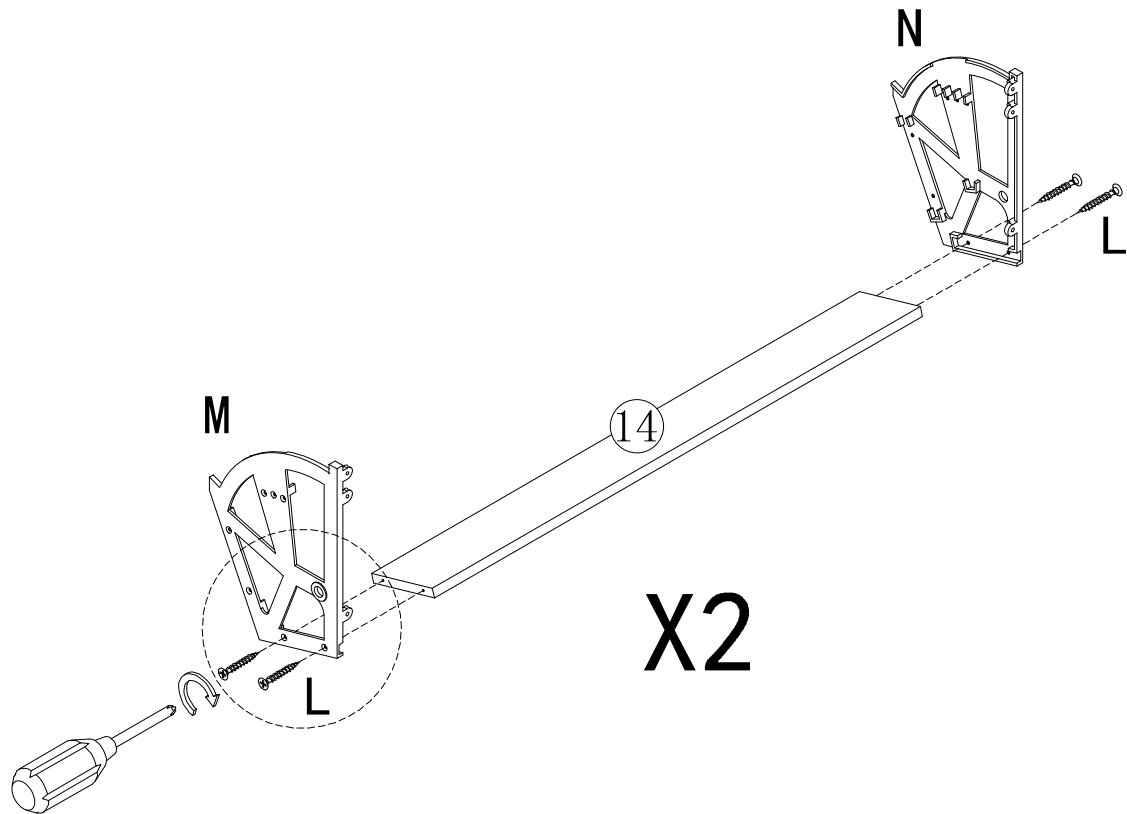
1. Mark the drill position on the wall with pencil.
2. Make 2 holes with a bit at the marked locations.
3. Tap the wall anchor (I) into the drilled holes with a hammer.
4. Fixed the cabinet to the wall with screws (H)

NOTE: According to the distance between the cabinet and the wall, adjust the #J fitting to the appropriate position, and then tighten all the screws on the #J fitting.




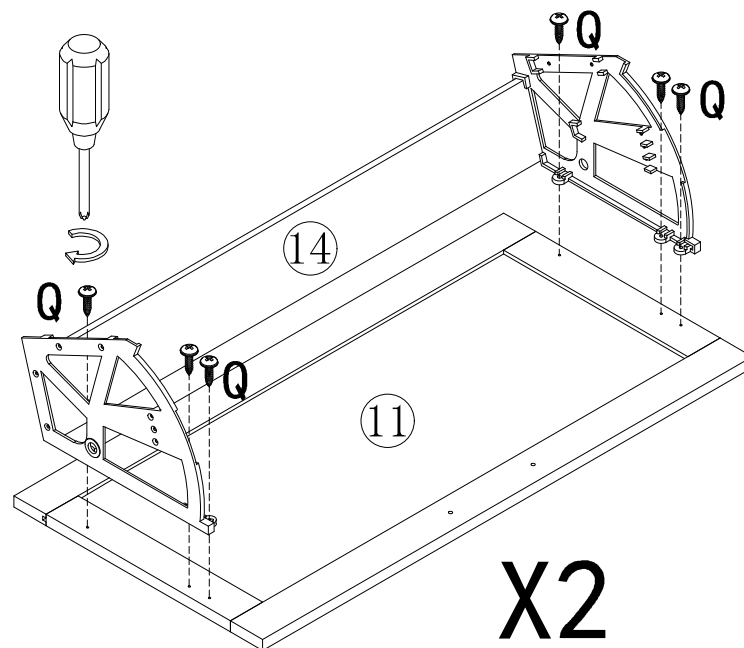
Step 20

L	M	N
		
X8	X2	X2




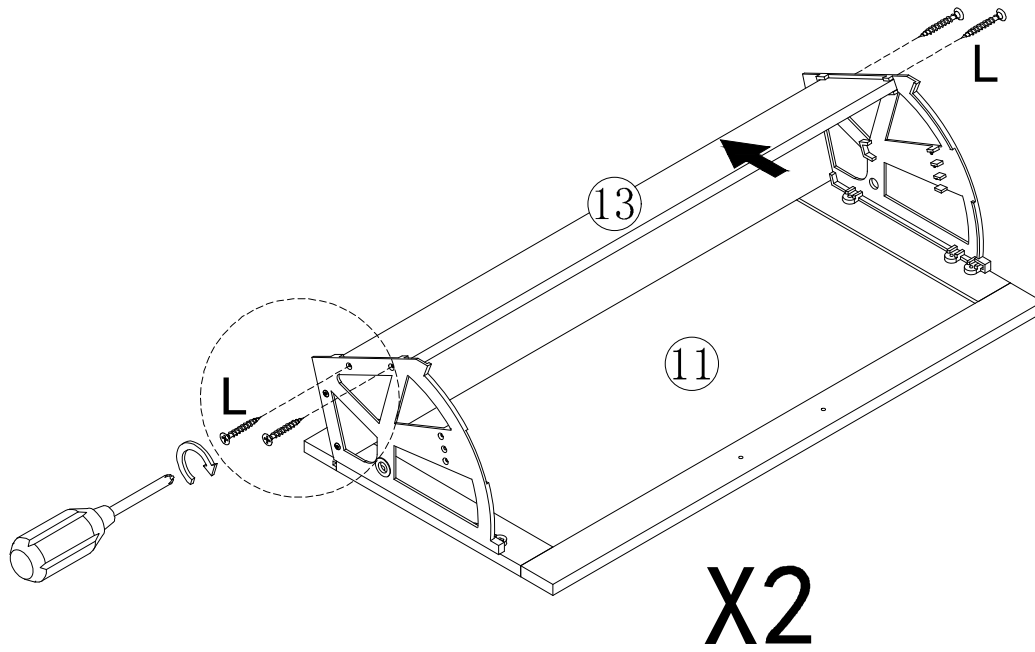
Step 21

Q

X12

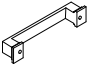



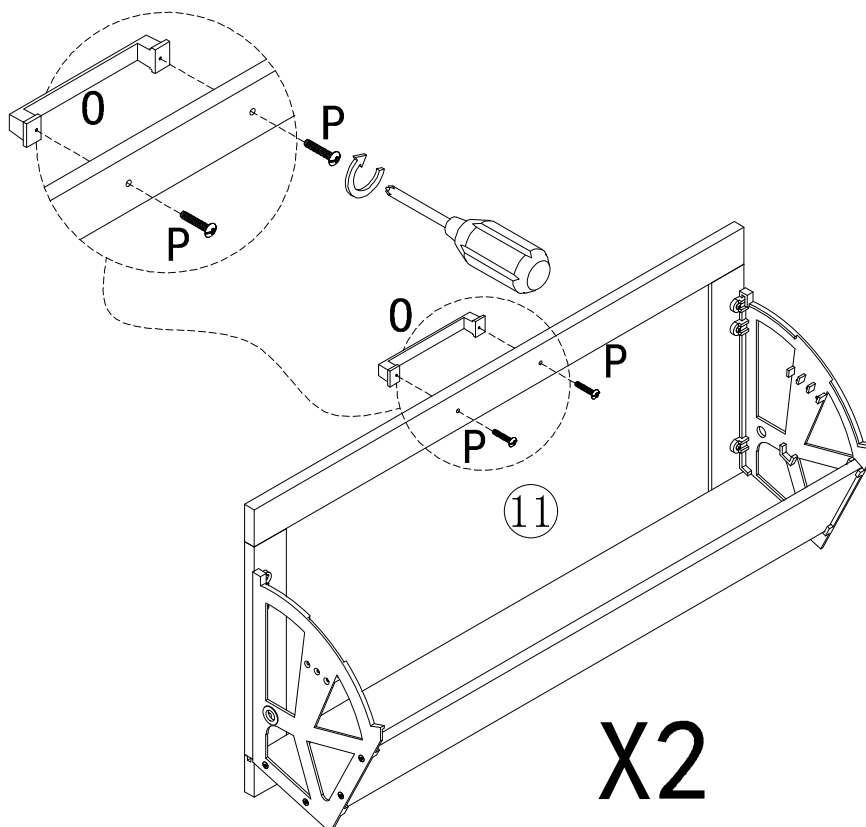
Step 22

L

X8





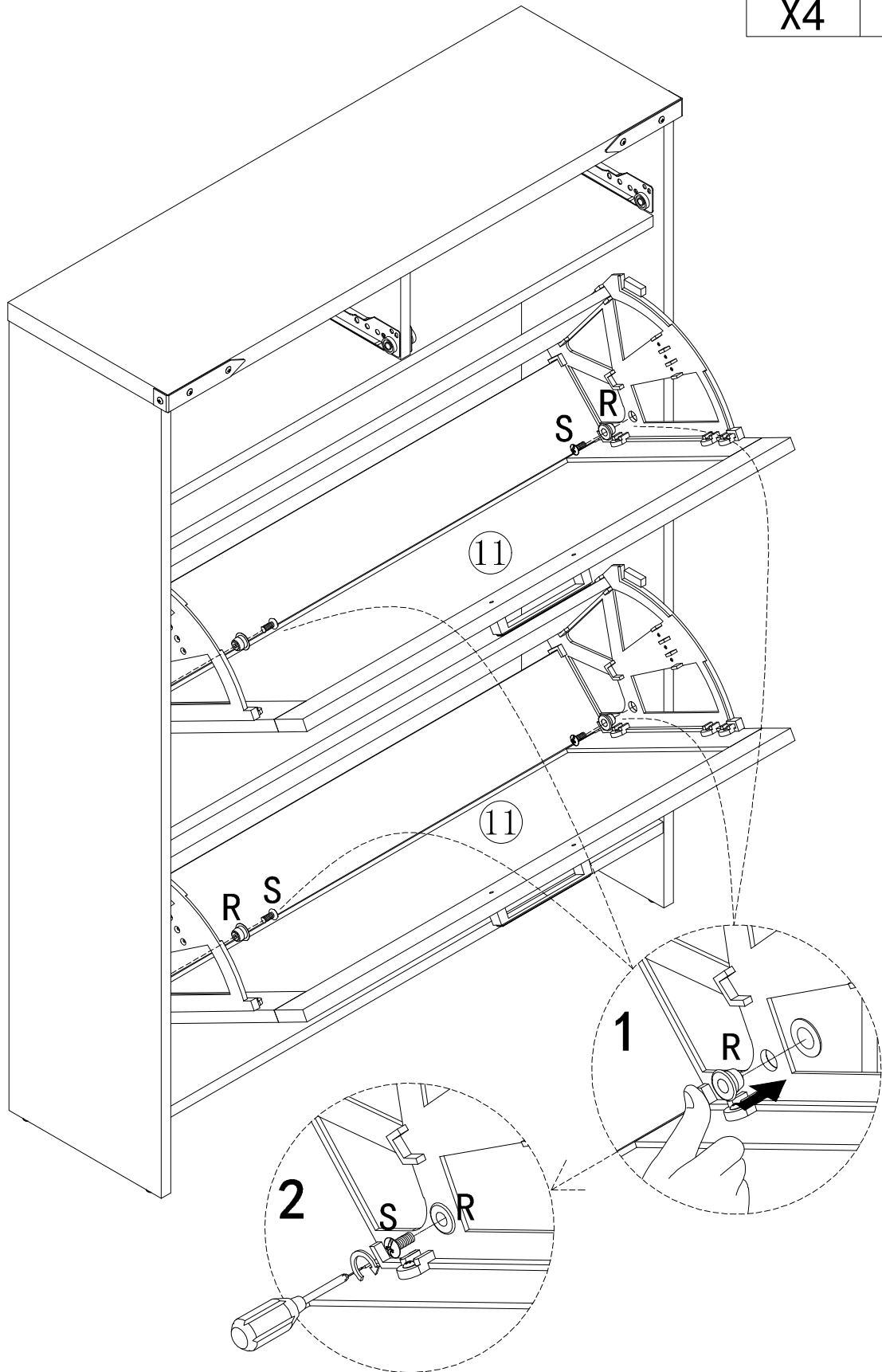
Step 23

0	P
	
X2	X4

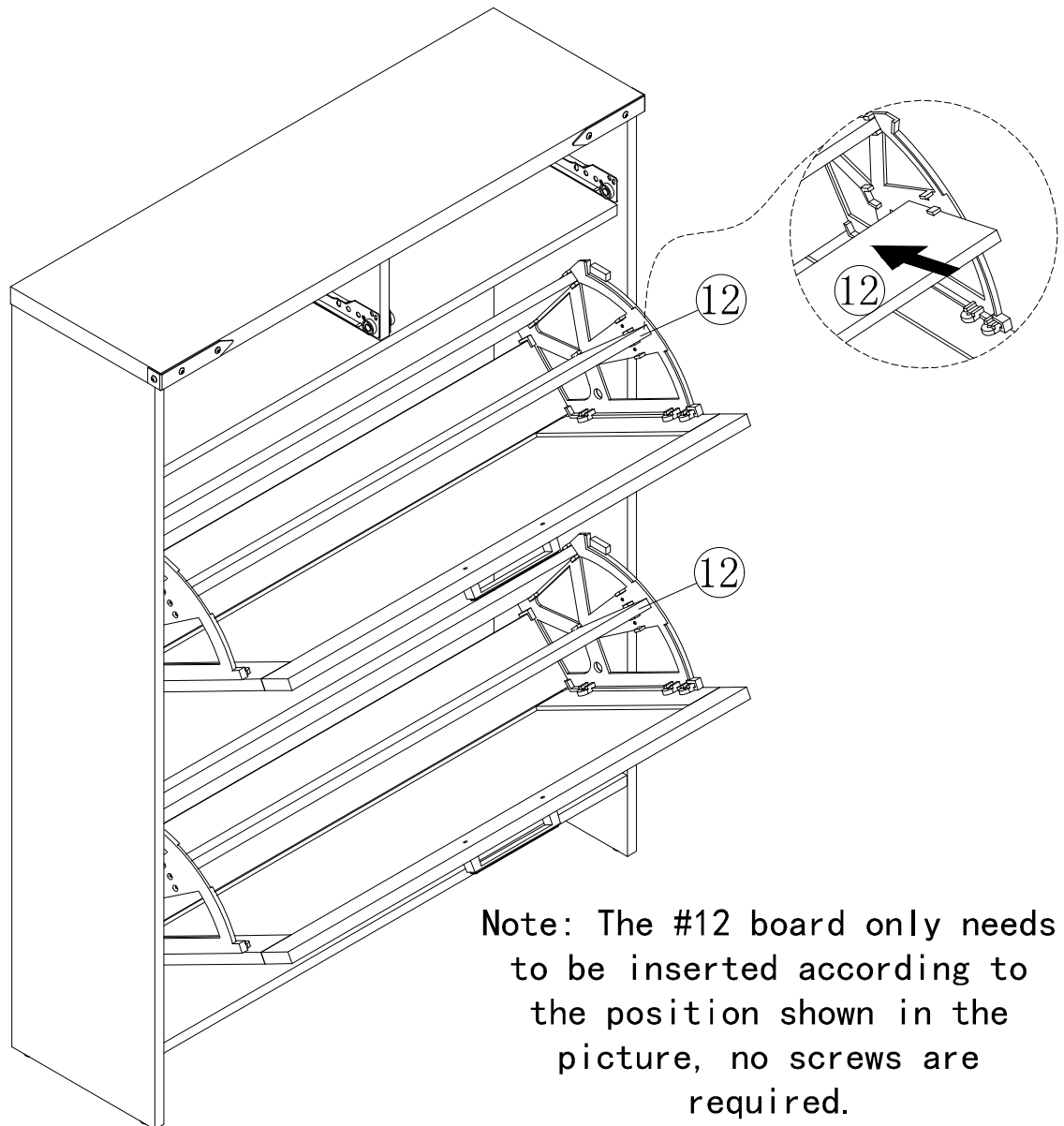


Step 24

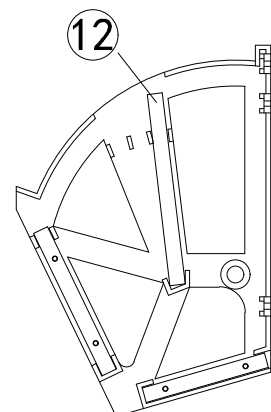
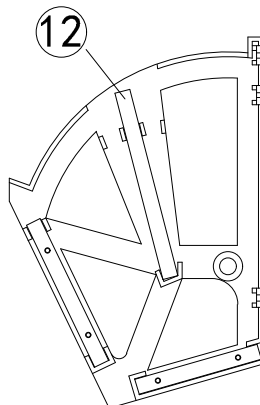
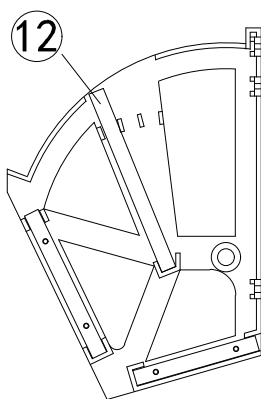
R	S
	
X4	X4



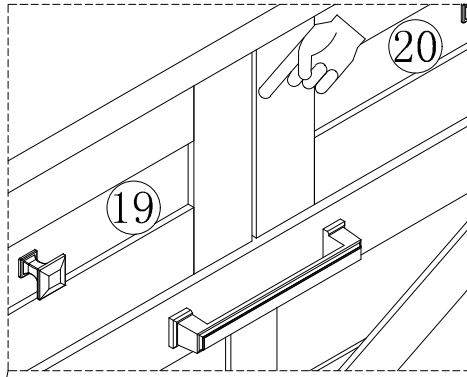
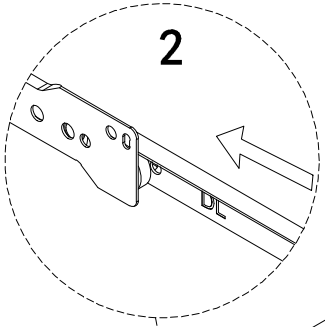
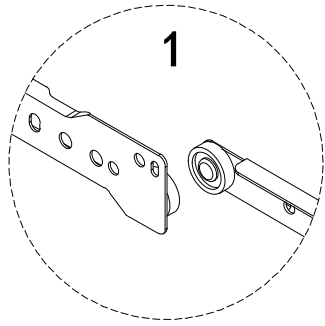
Step 25



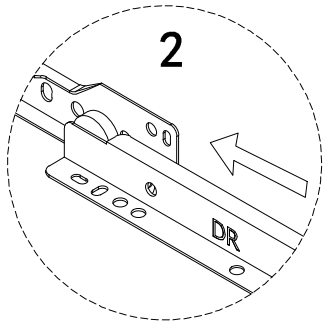
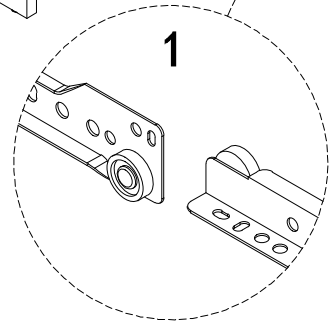
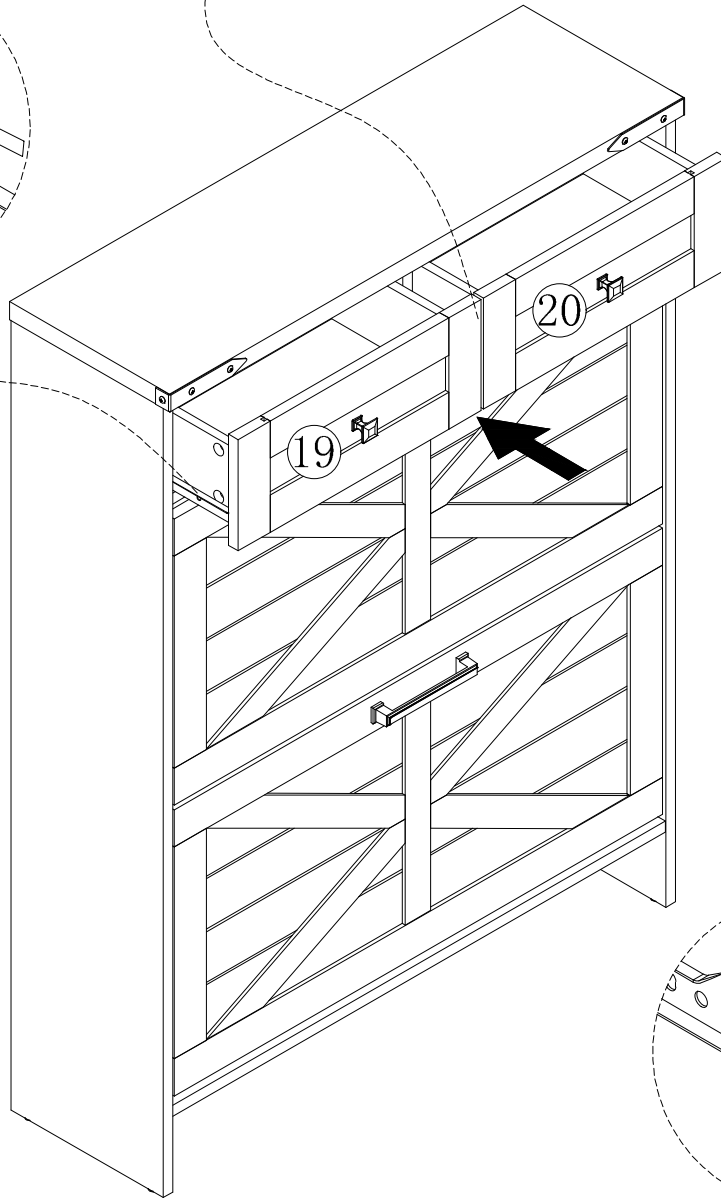
Adjustable shelf for various size of shoes



Step 26



Note: Install the #19 drawer on the left side and the #20 drawer on the right side.



 **WARNING**



Children have died from furniture tipover. To reduce the risk of furniture tipover:

- **ALWAYS** install Anti-tip device provided.
- **NEVER** put a TV on this product.
- **NEVER** allow children to stand, climb or hang on drawers, doors, or shelves.
- **NEVER** open more than one drawer at a time.
- **Place** heaviest items in the lowest drawers.

