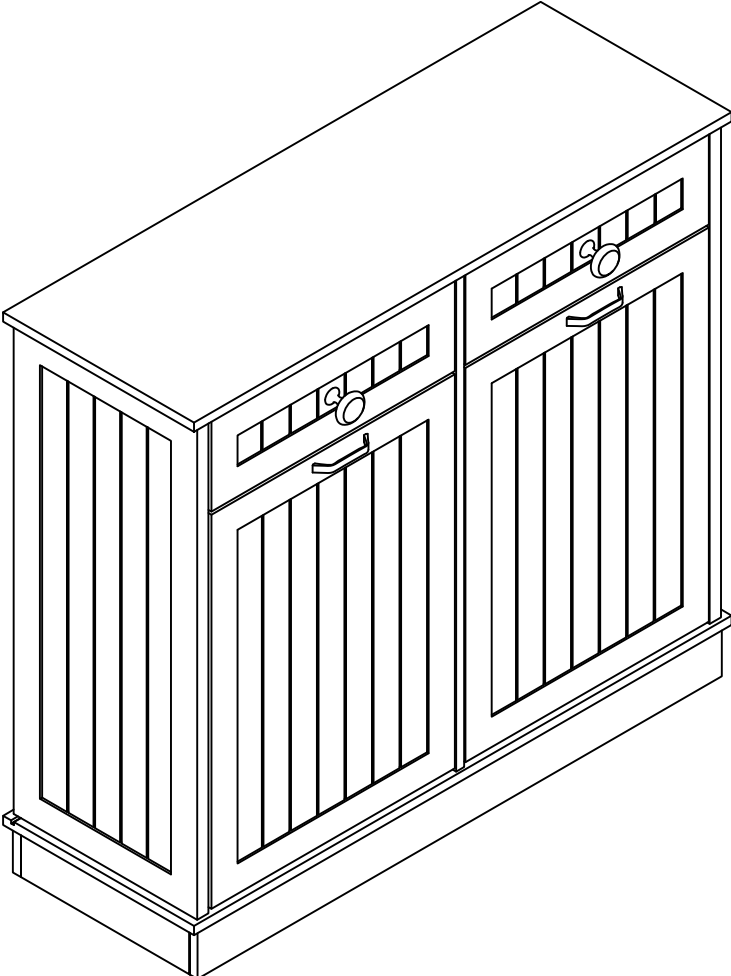


Installation Manual

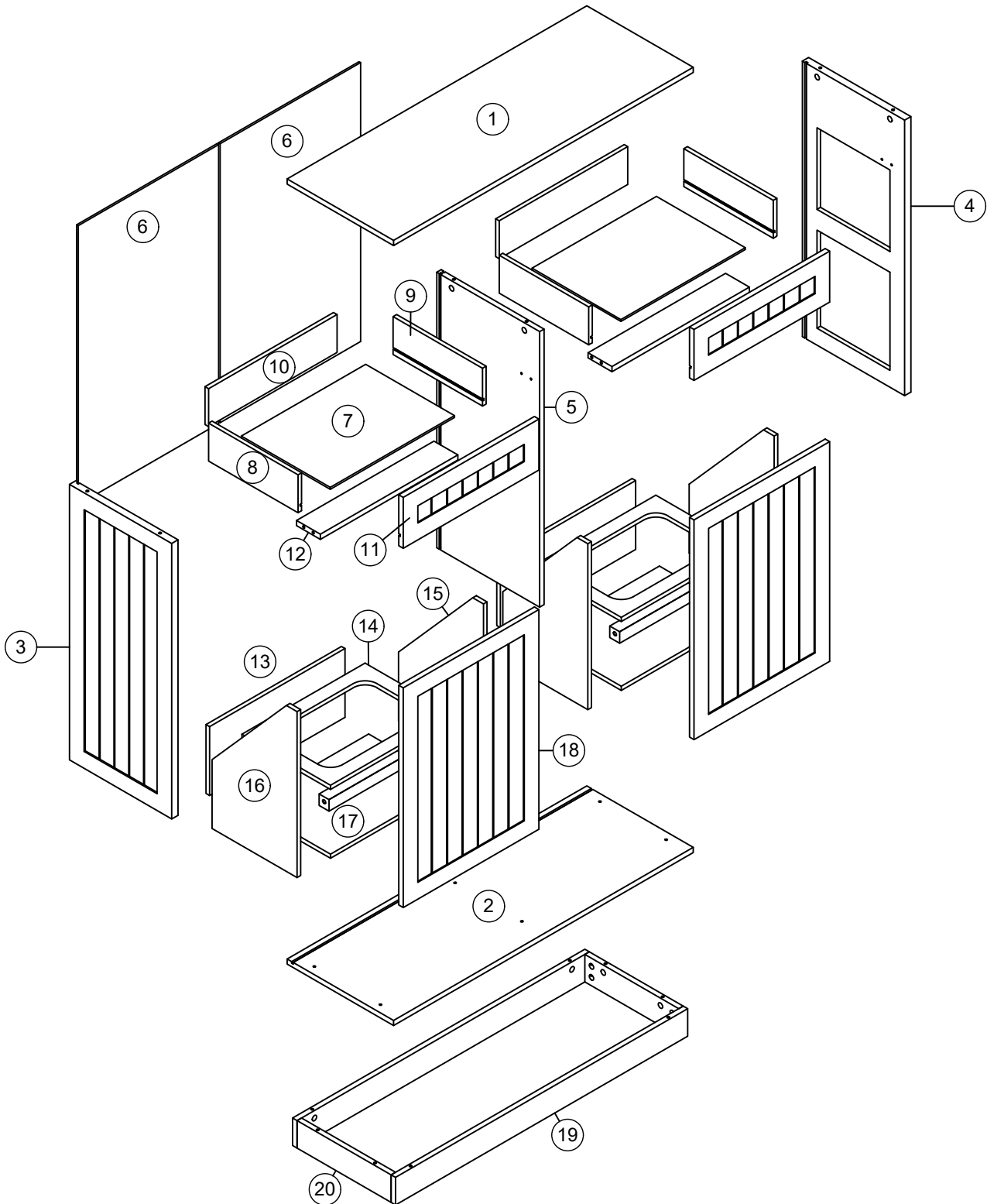


Parts List

Note: Avoid fully tightening screws during initial assembly in case of assembly errors.

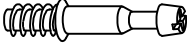
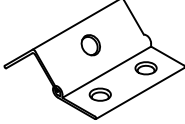
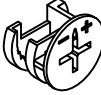


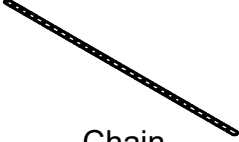
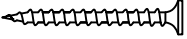
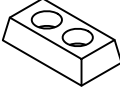
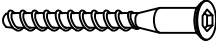


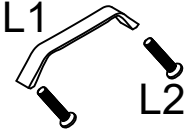
Tighten screws only after all parts have been properly assembled.

Two people are recommended for ease in the assembly of this product.




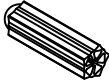
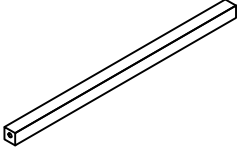
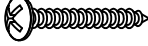

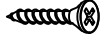


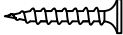

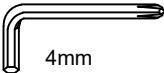



Hardware List

- Carefully remove all the parts from the carton and place them individually on a softcloth to prevent scratches or other damage.
- Carefully and strictly follow these assembly & installation instructions to ensure a completed product as designed.
- Do not tighten all the screws until each part is properly assembled.

Number	Parts	Quantity	Number	Parts	Quantity
A	 Cam bolt	50 PCS	G	 Hinge	4 PCS
B	 Cam lock	50 PCS	H	 Screw	24 PCS
C	 Wooden dowel	16 PCS	I	 Chain	4 PCS
D	 Screw	8 PCS	J	 Stop slider	4 PCS
E	 Screw	38 PCS	K	 3mm Hex Key	1 PCS
F	 Track	2 PCS	L	 L1 L2 Handle	2 PCS

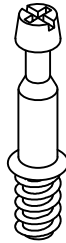
Hardware List

Number	Parts	Quantity	Number	Parts	Quantity
M	 Round handle	2 PCS	T	T1  Anti dumping device	2 PCS
N	 Bolt	16 PCS		T2  Rubber plug	2 PCS
O	 Support tube	2 PCS		T3  Screw	2 PCS
P	 Bolt	4 PCS		T4  Screw	2 PCS
Q	 Plastic wedge	12 PCS	V	 2.5mm Hex Key	1 PCS
R	 Screw	32 PCS	U	 	2 PCS
S	 4mm Hex Key	1 PC	W	 	8 PCS

Hardware Usage Guide

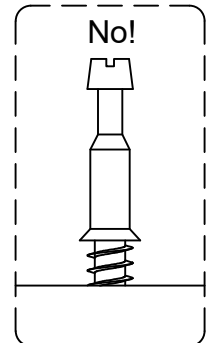
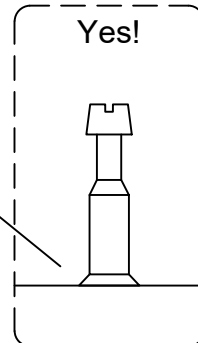
HOWTO USE A CAM LOCK & CAM BOLT OR CAM DOWEL

1. NOTE: CAM BOLT or a CAM LOCK may be used.



Cam bolt

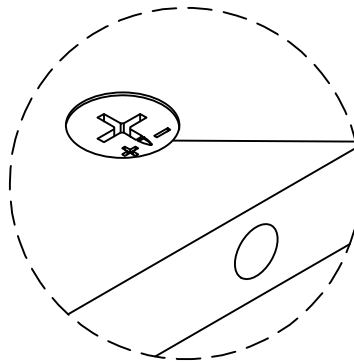
Turn the CAM BOLT until the shoulder is against the surface of the part.



2.

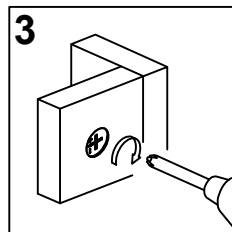
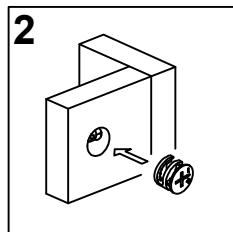
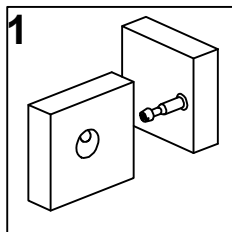


Cam lock

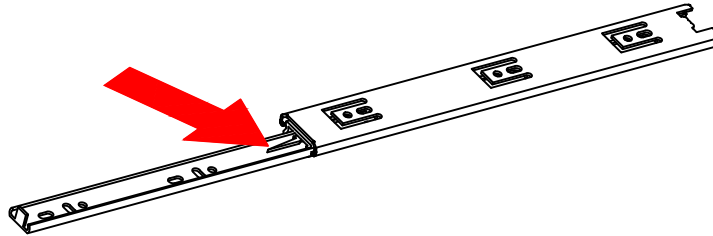


Push a CAM LOCK into the part. The arrow in the CAM LOCK must point toward the hole in the edge of the board.

3. Insert the CAM BOLT into the CAM LOCK. Tighten the CAM LOCK.

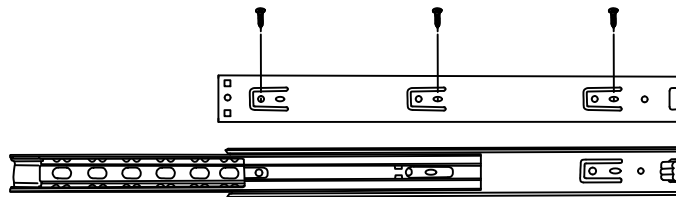


Rack installation guide

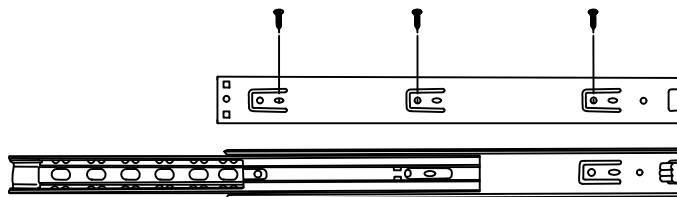


Press the tails both sides meanwhile pulling out the drawer

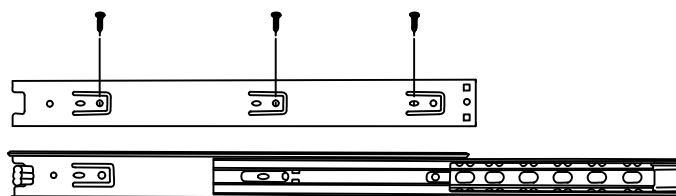
Tips: Mind the guide hole.



Right side of ⑤ panel



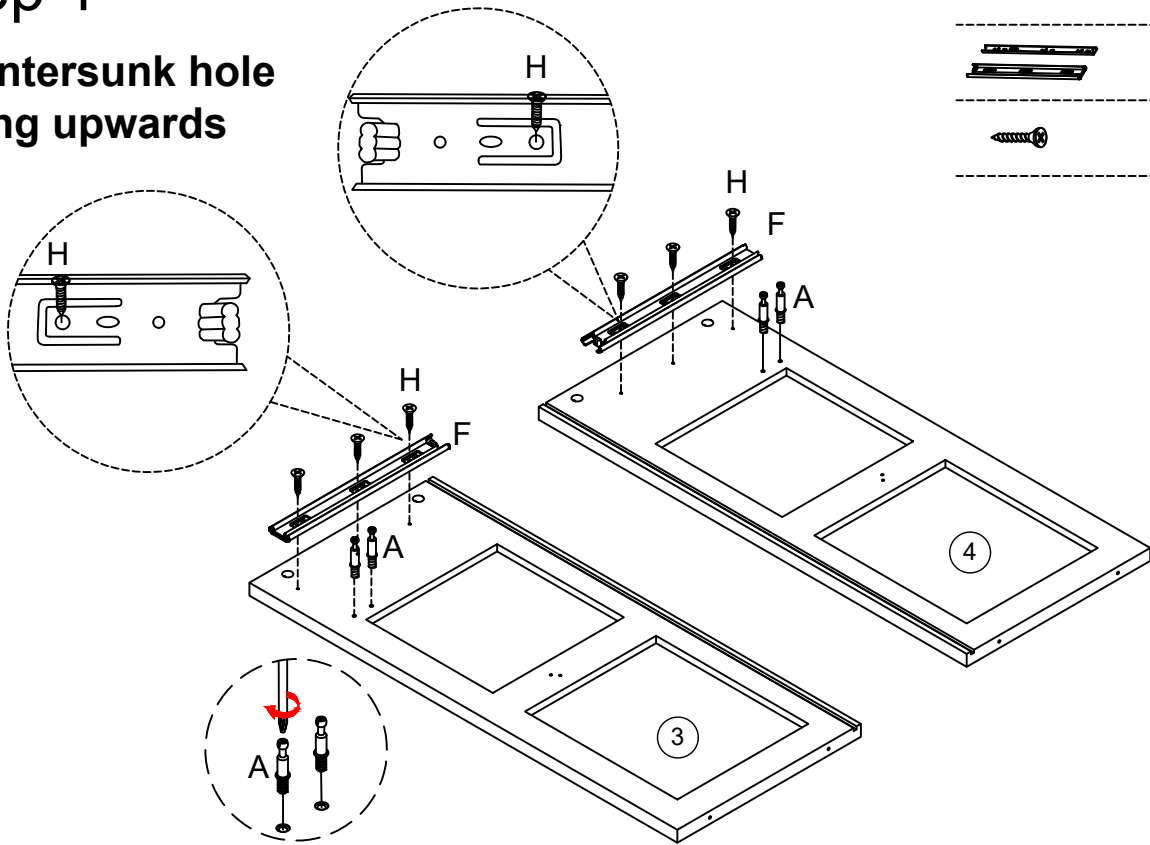
Left side of ⑤ panel & ③ panel

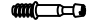




④ Panel

Step 1

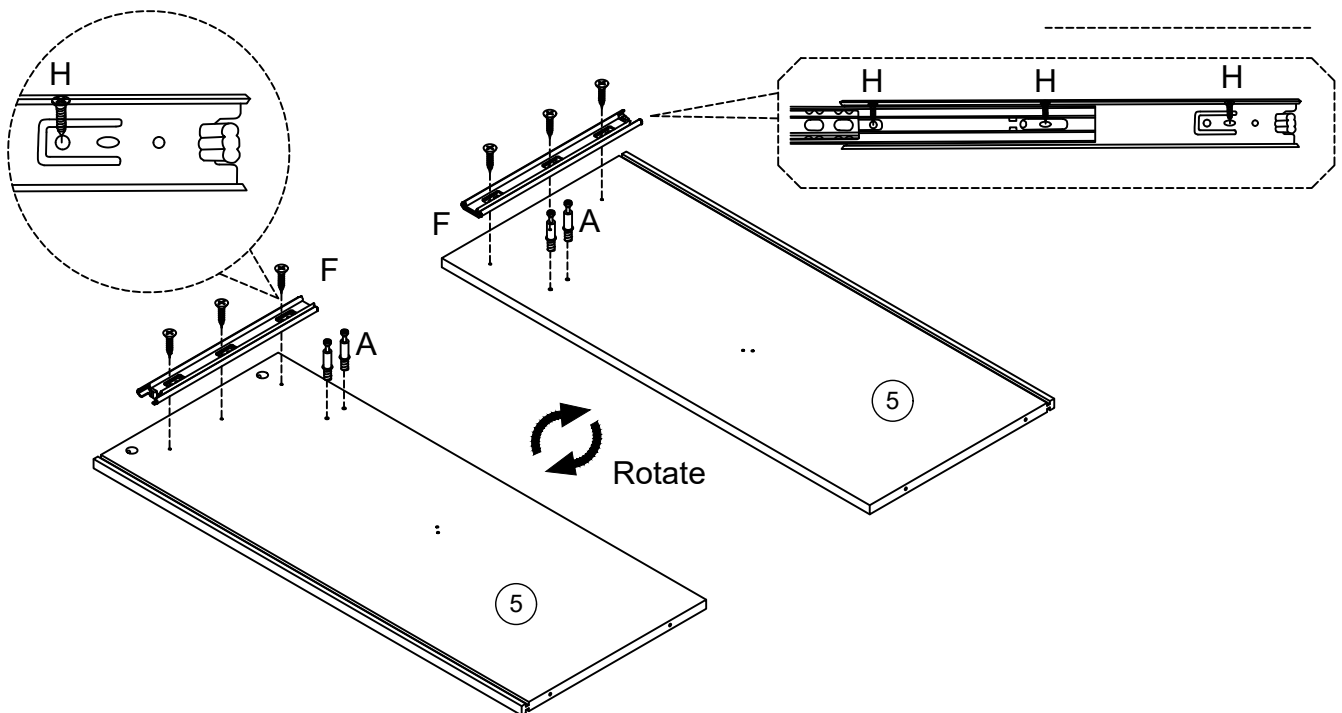
Countersunk hole facing upwards

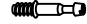




-  A x 4
-  F x 2
-  H x 6

Step 2

Countersunk hole facing upwards

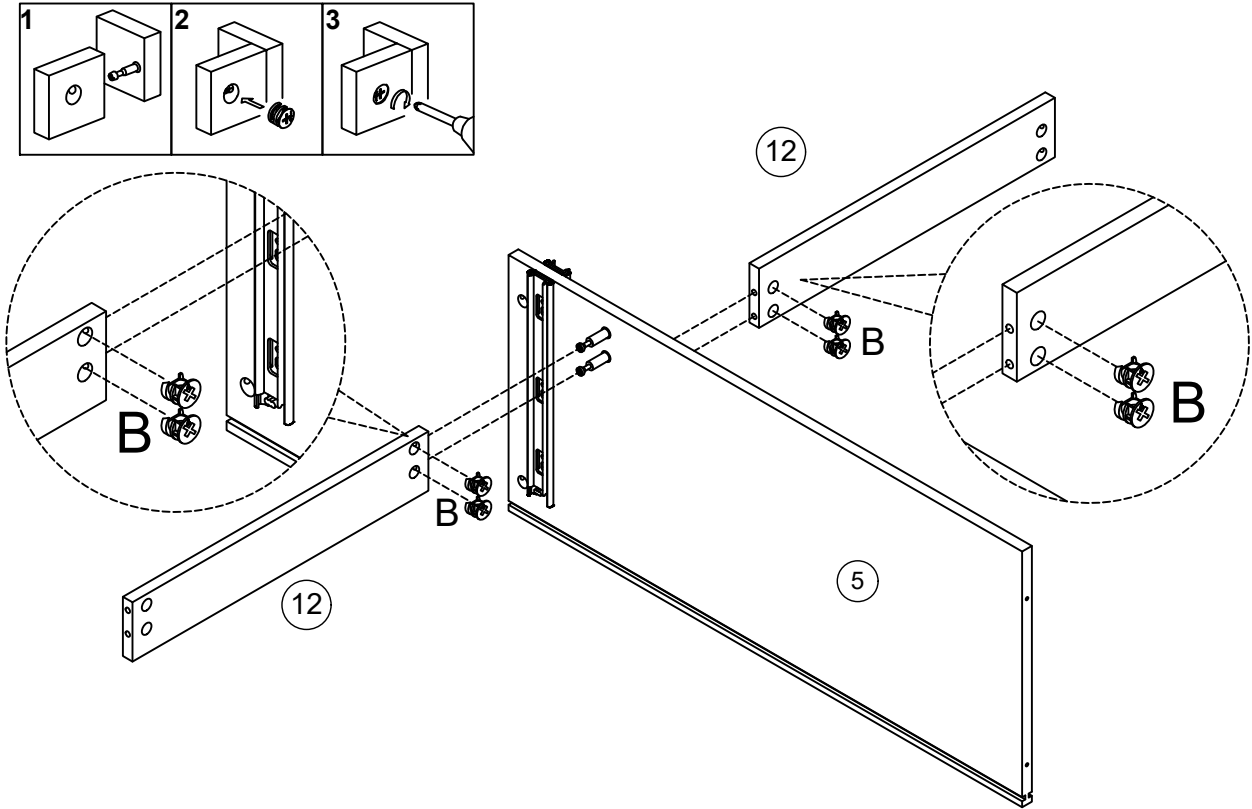


-  A x 4
-  F x 2
-  H x 6

Step 3



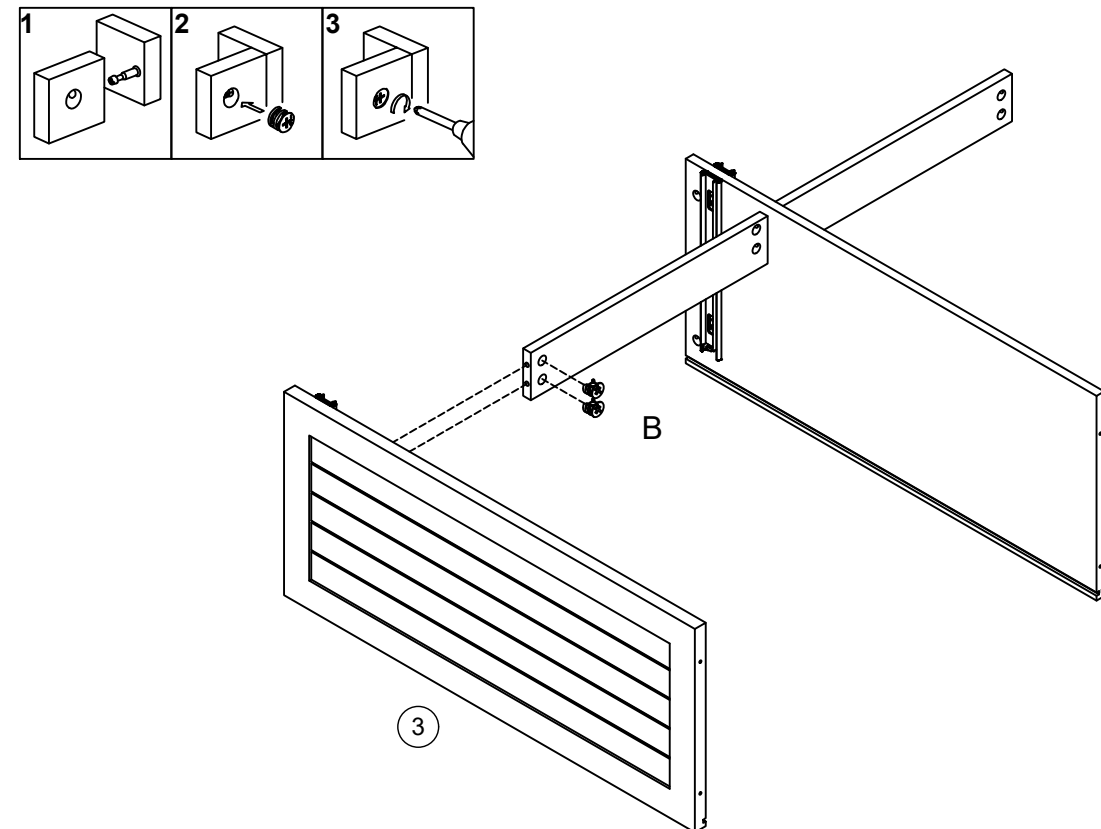
B x 4



Step 4



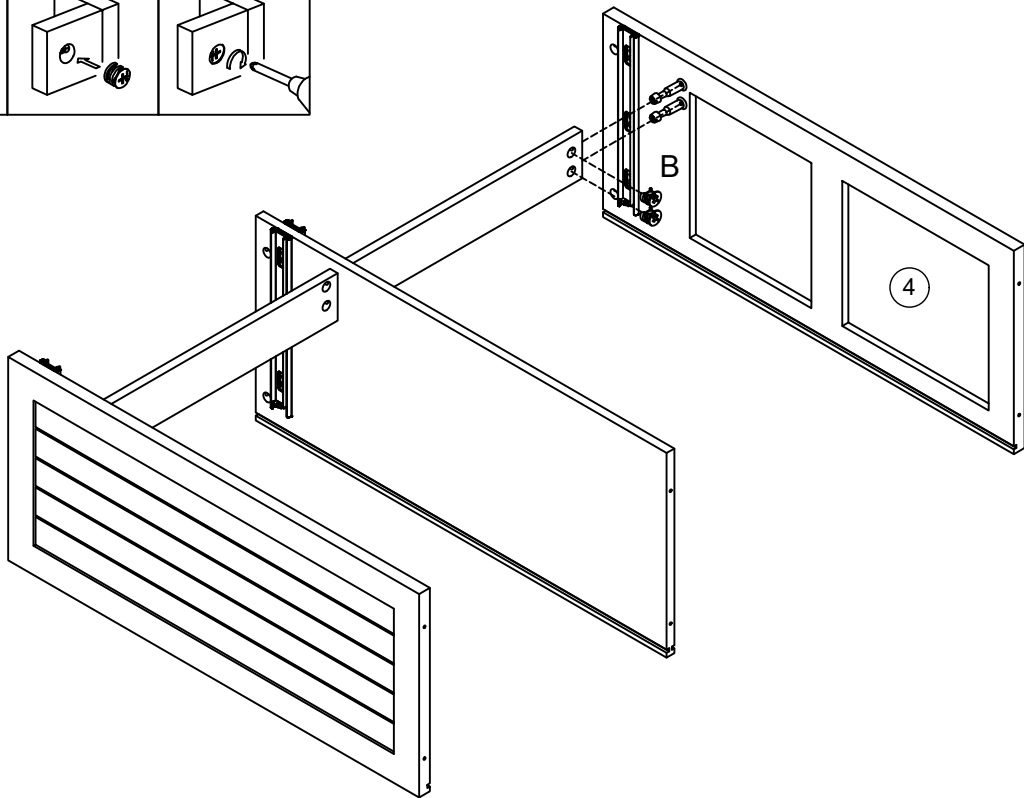
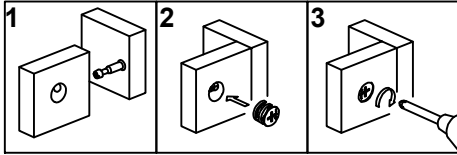
B x 2



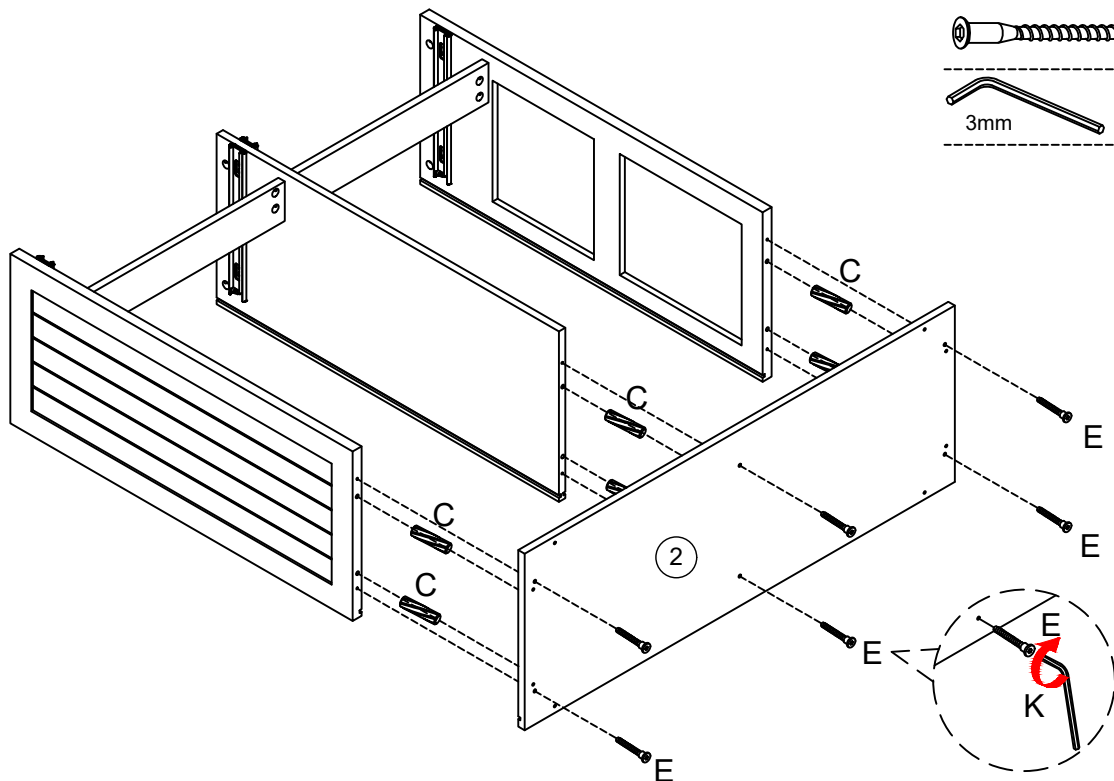
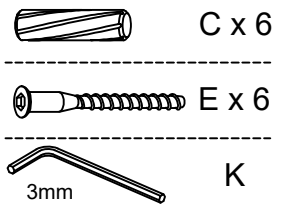
Step 5



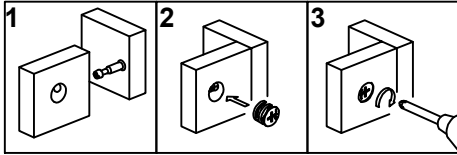
B x 2




Step 6



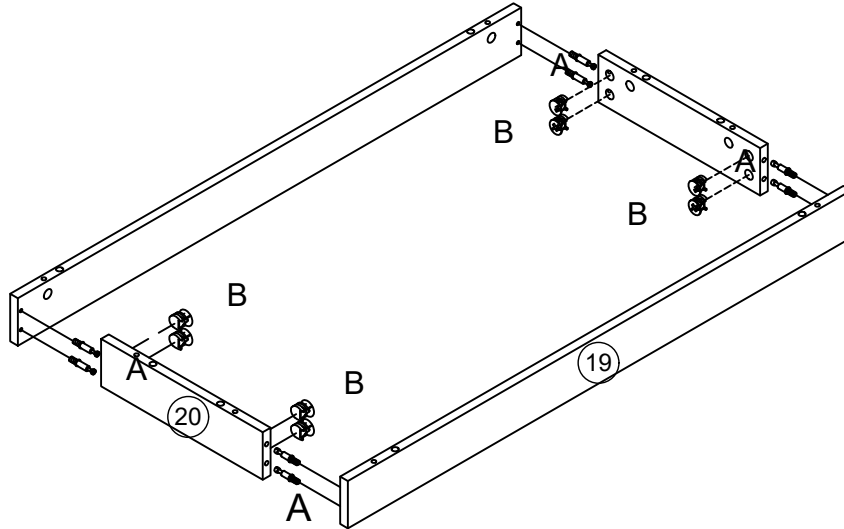
Step 7



 A x 8

 B x 8

Ends are flush




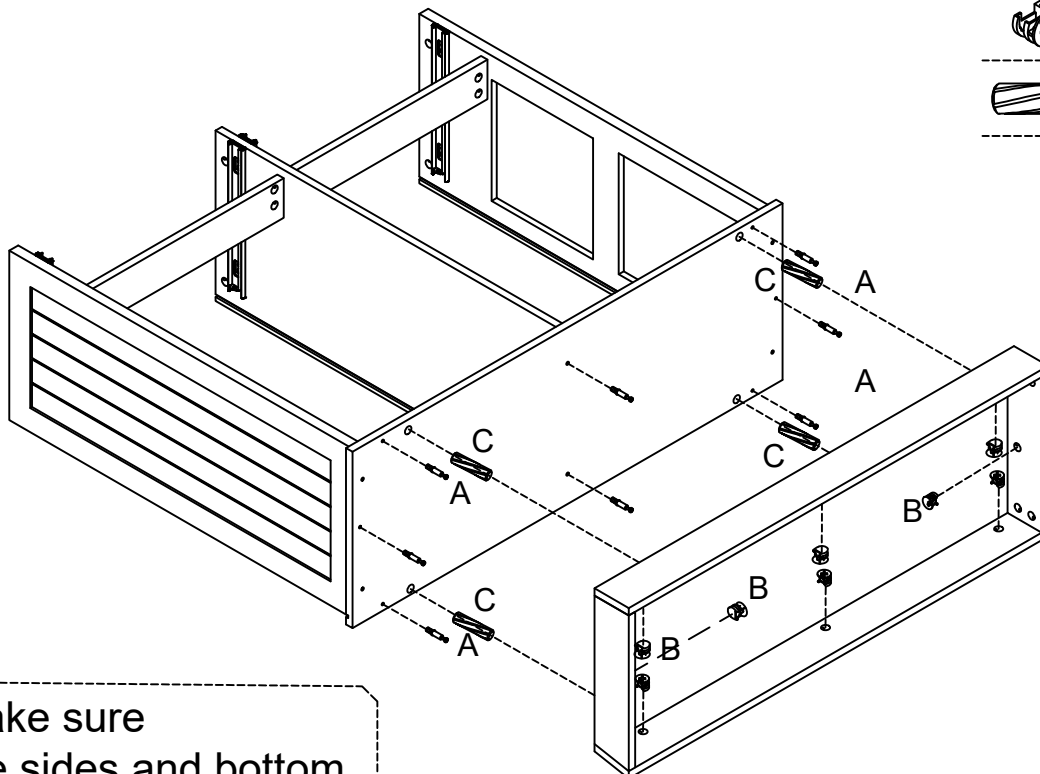
The countersunk hole is inside

Step 8

 A x 8

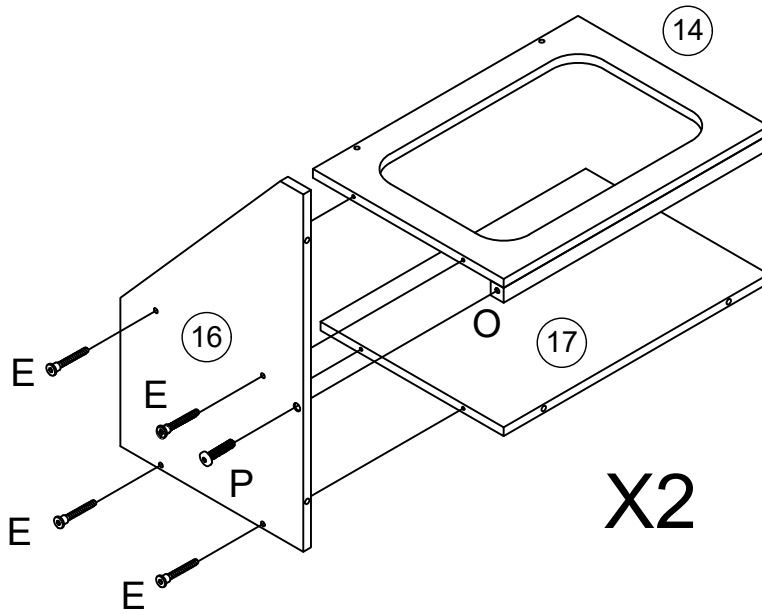
 B x 8


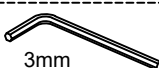



 C x 4



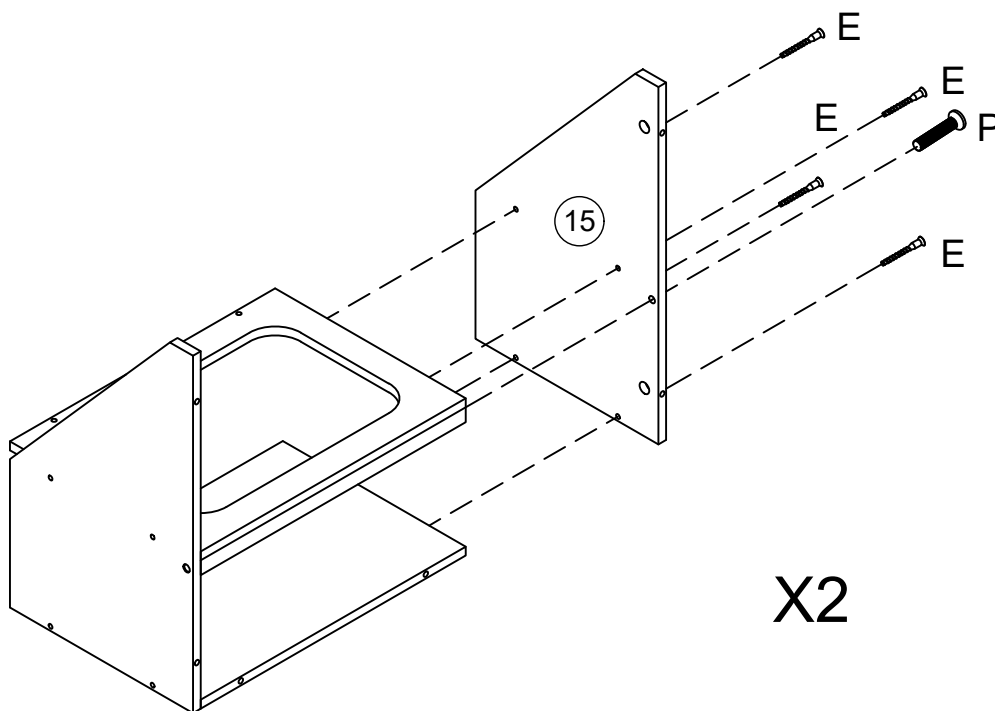
Make sure
the sides and bottom
are flush


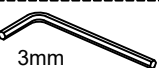


Step 9



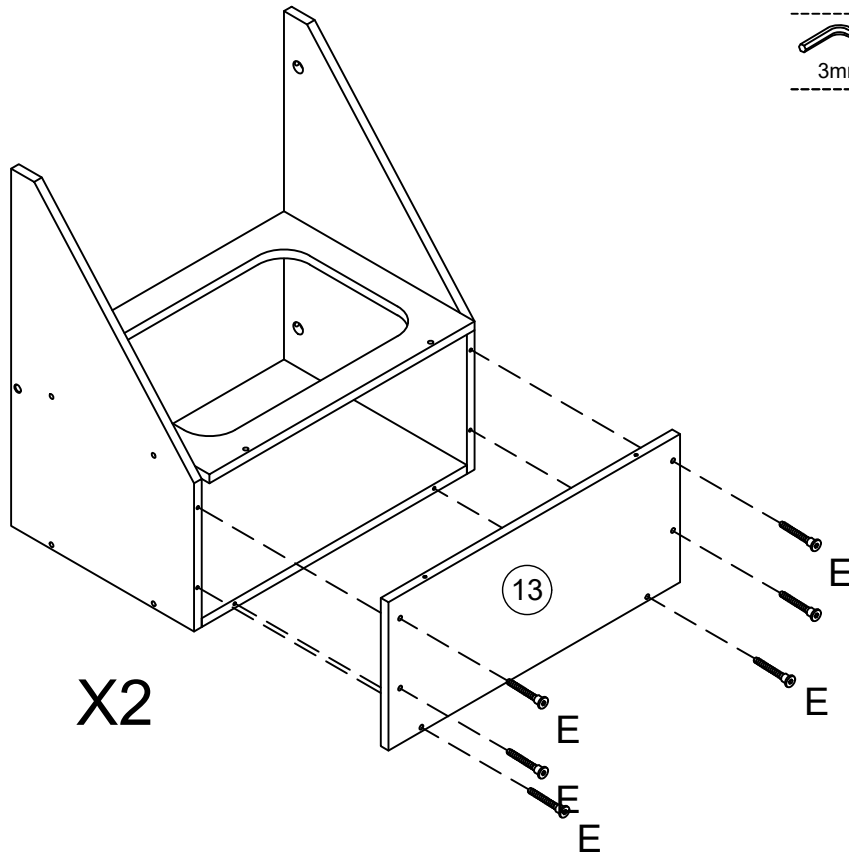
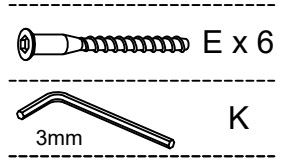
-
-  E x 4
-
-  3mm K
-
-  4mm S
-
-  O x 1
-
-  P x 1
-

Step 10

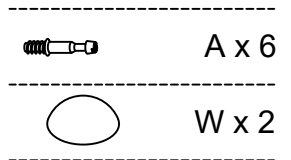


-
-  E x 4
-
-  3mm K
-
-  4mm S
-
-  P x 1
-

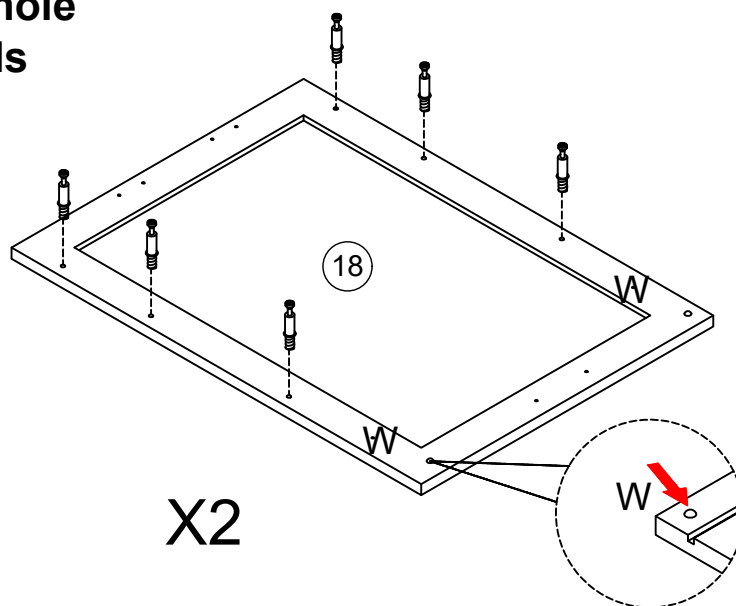
Step 11



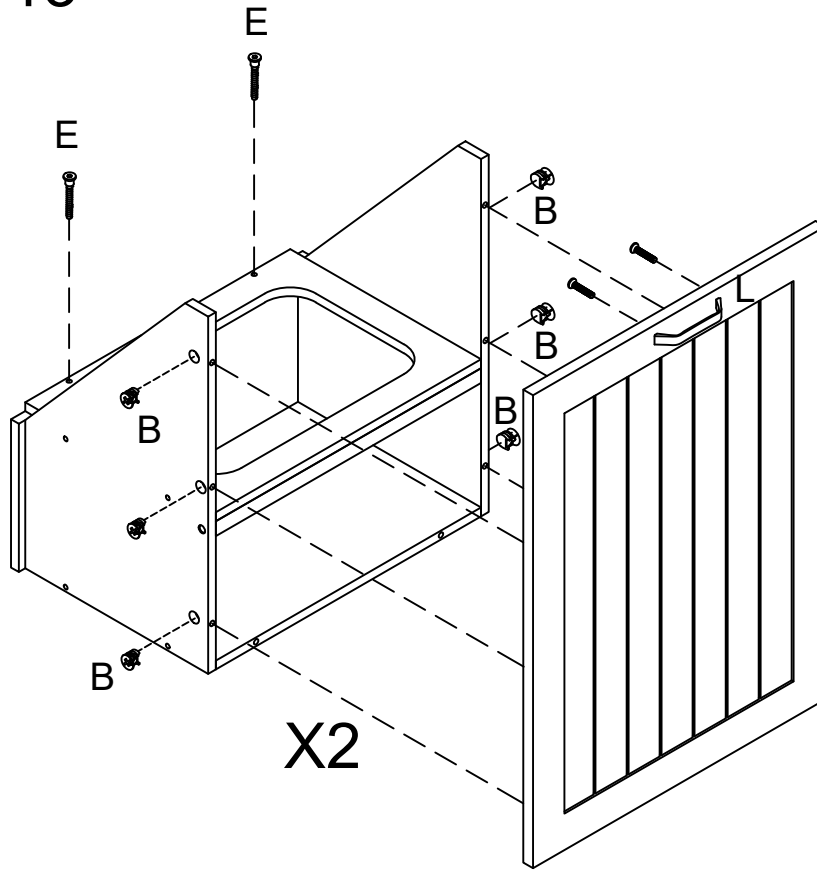
Step 12


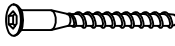
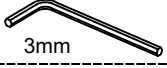



Countersunk hole
facing upwards

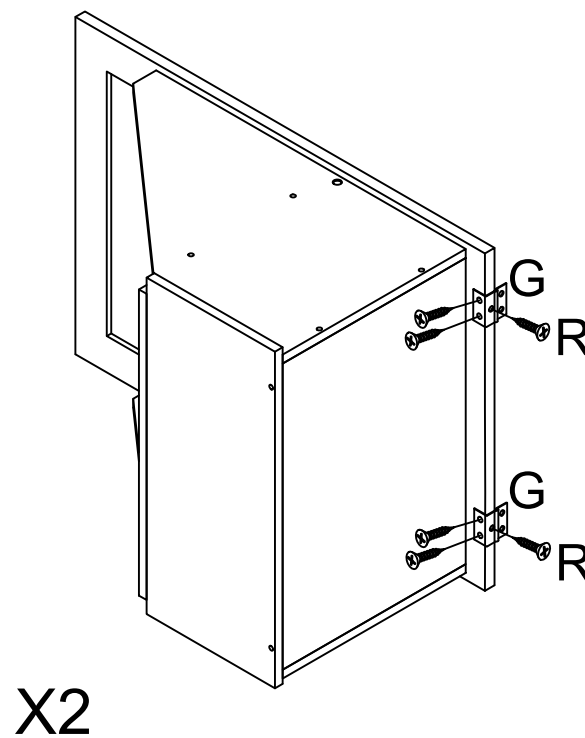


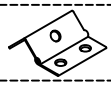

Step 13



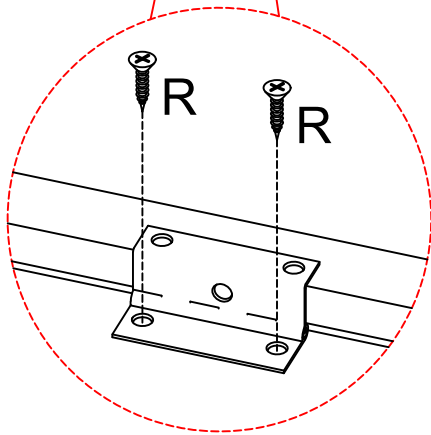
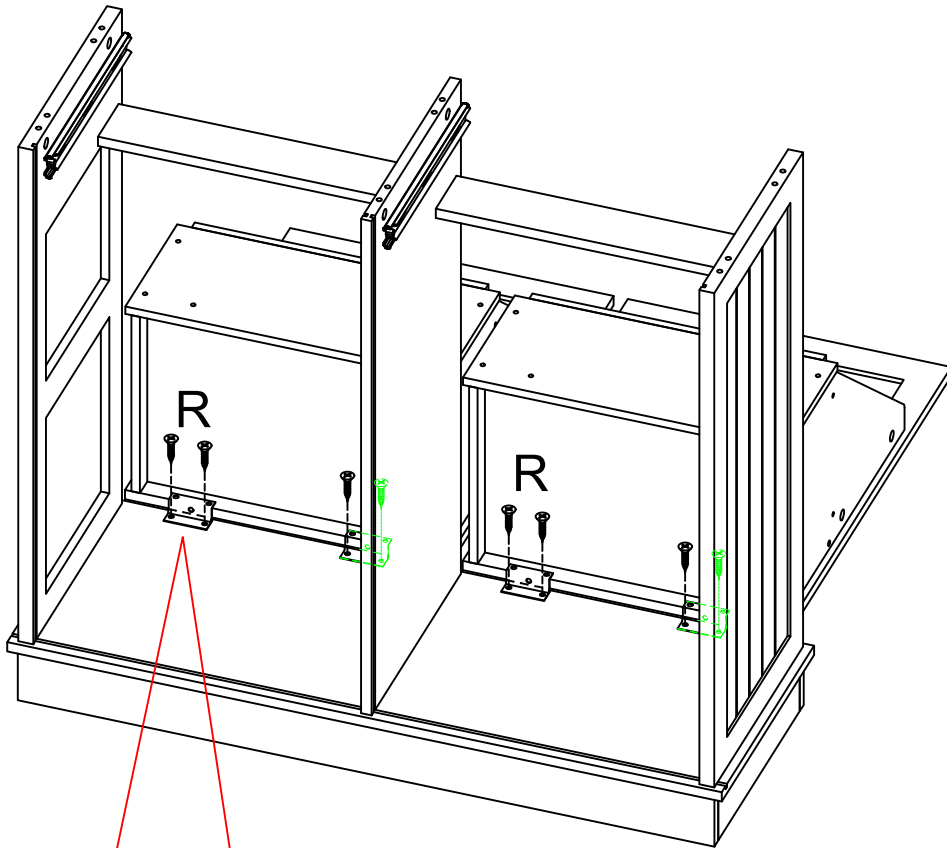
-  B x 6
-  E x 2
-  3mm K
-  L x 1

Step 14




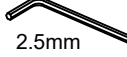
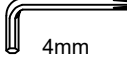


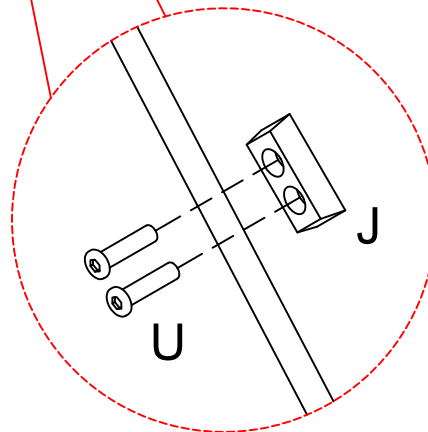
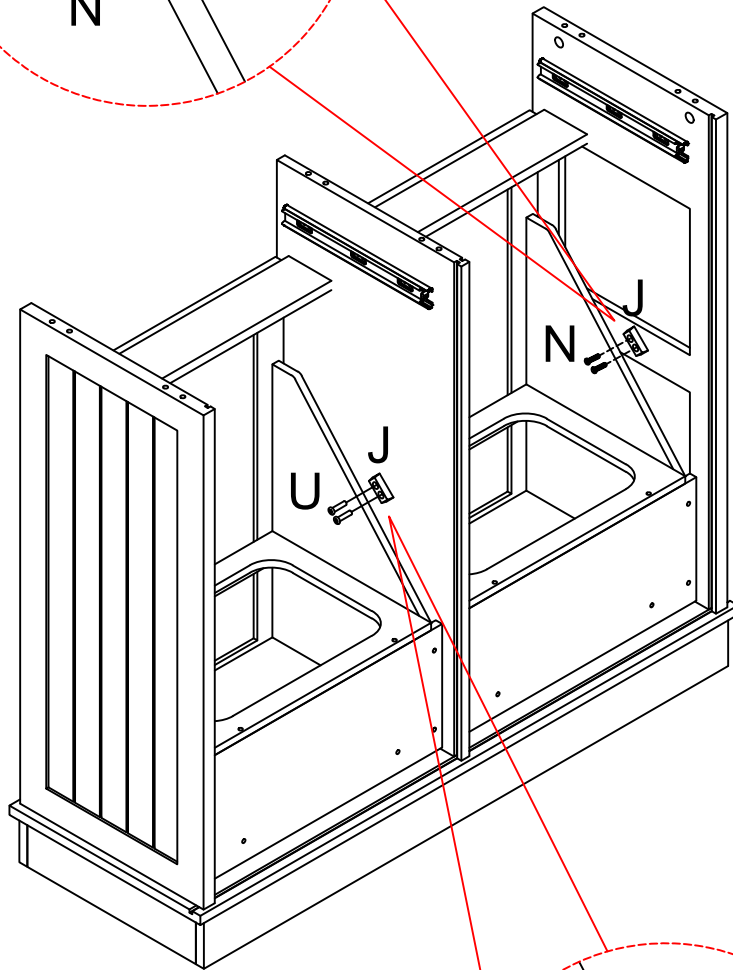
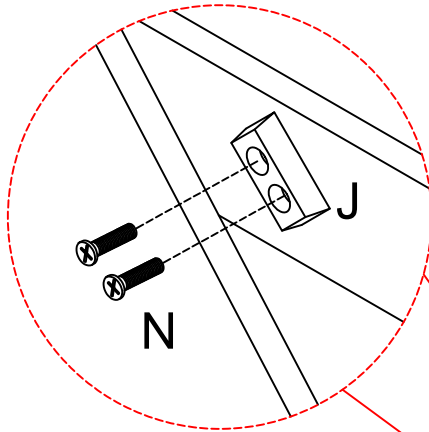
-  G x 2
-  R x 6

Step 15



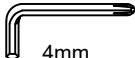


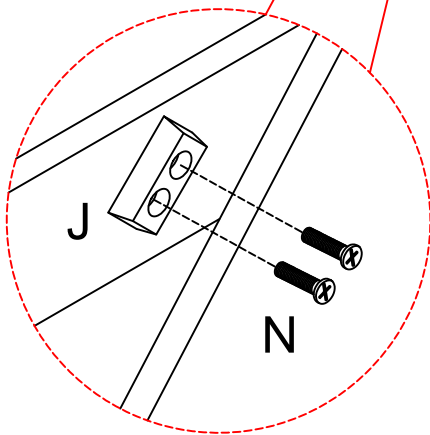
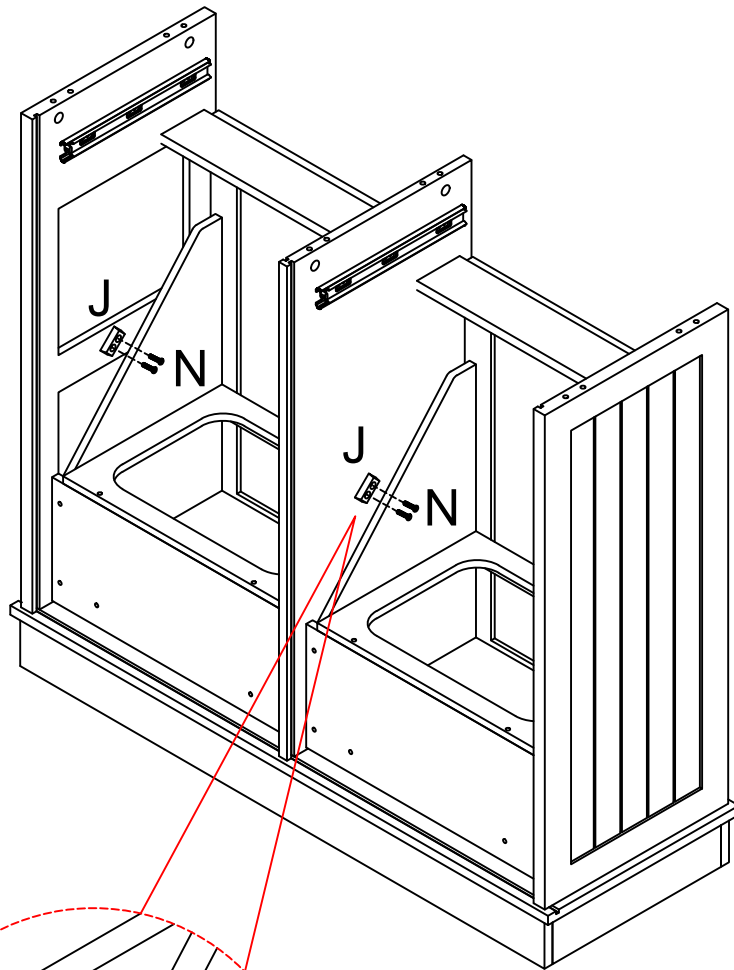
Step 16

	J x 2
	N x 2
	U x 2
	V
2.5mm	
	S
4mm	

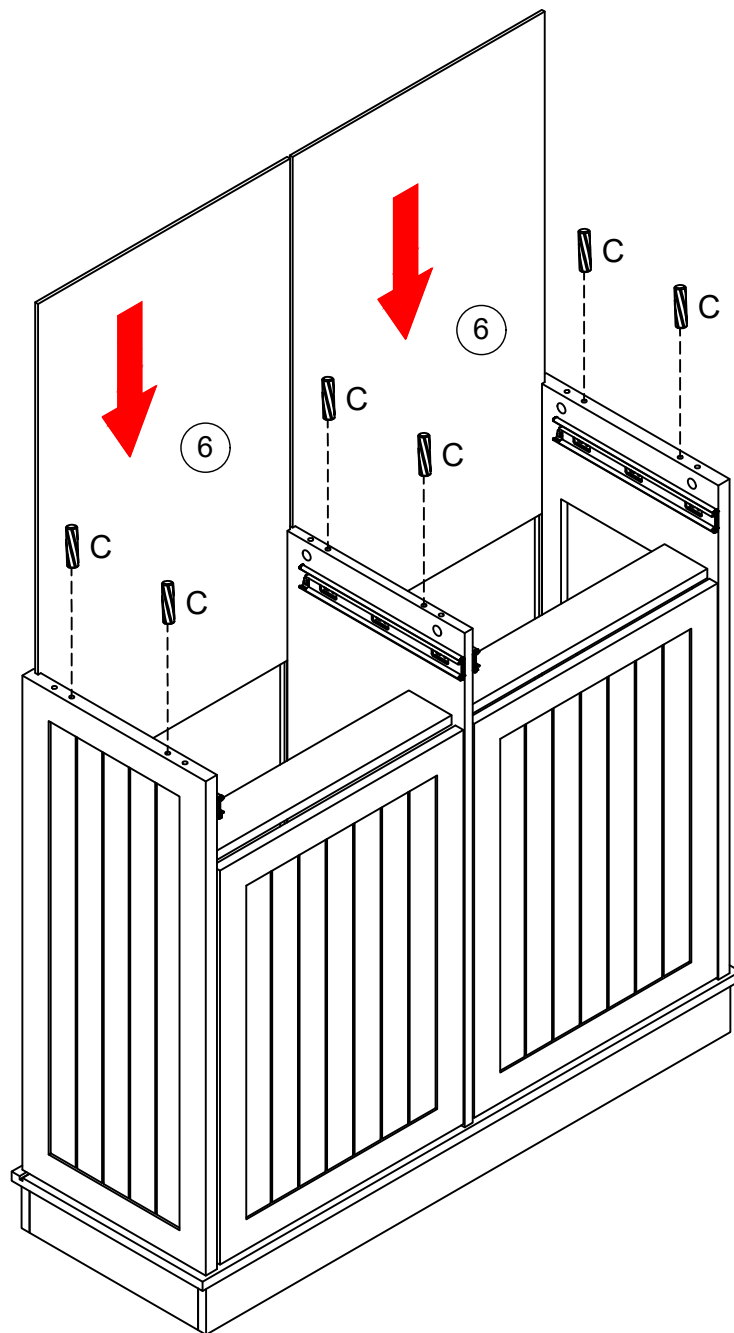


Step 17

	J x 2
	N x 4
 4mm	S



Step 18



Tips: Make sure the back panel and bottom are flush

Step 19

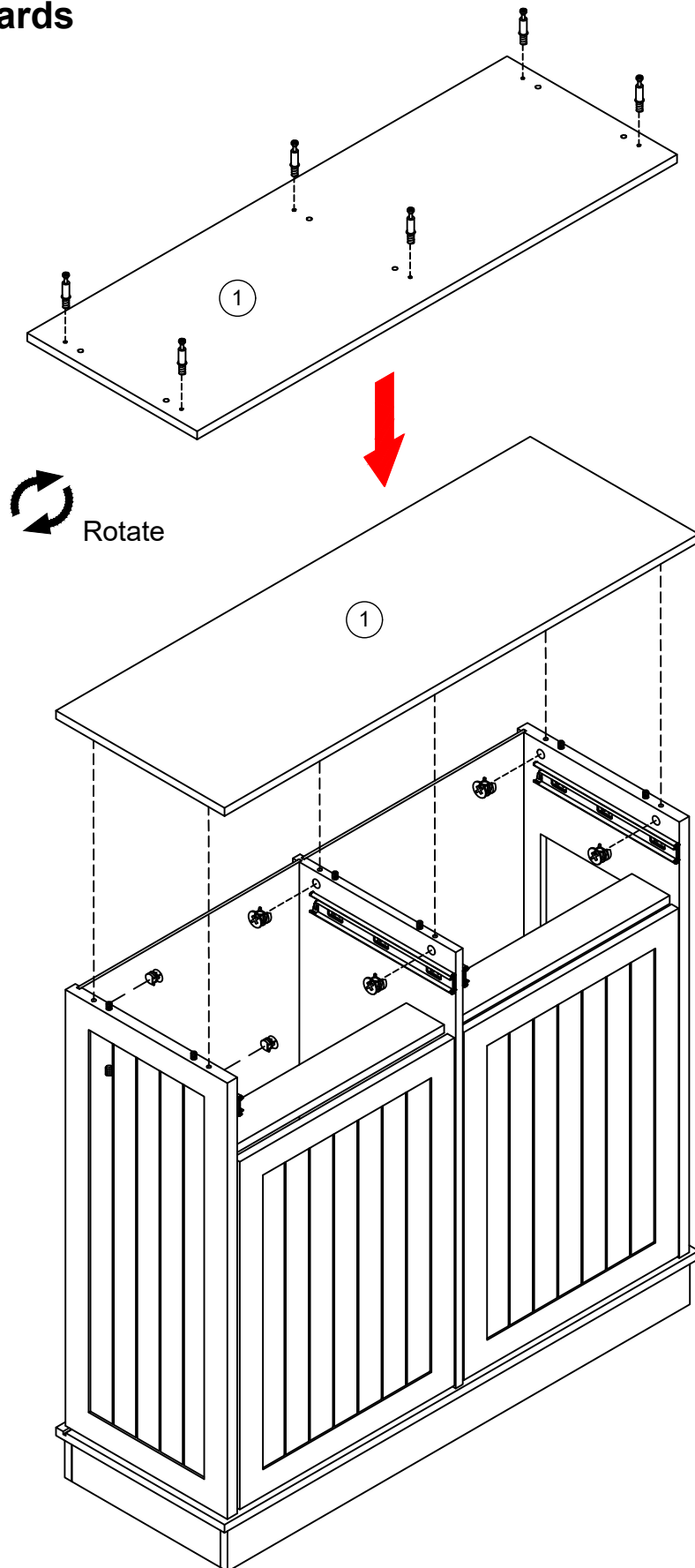
Countersunk hole
facing upwards



A x 6



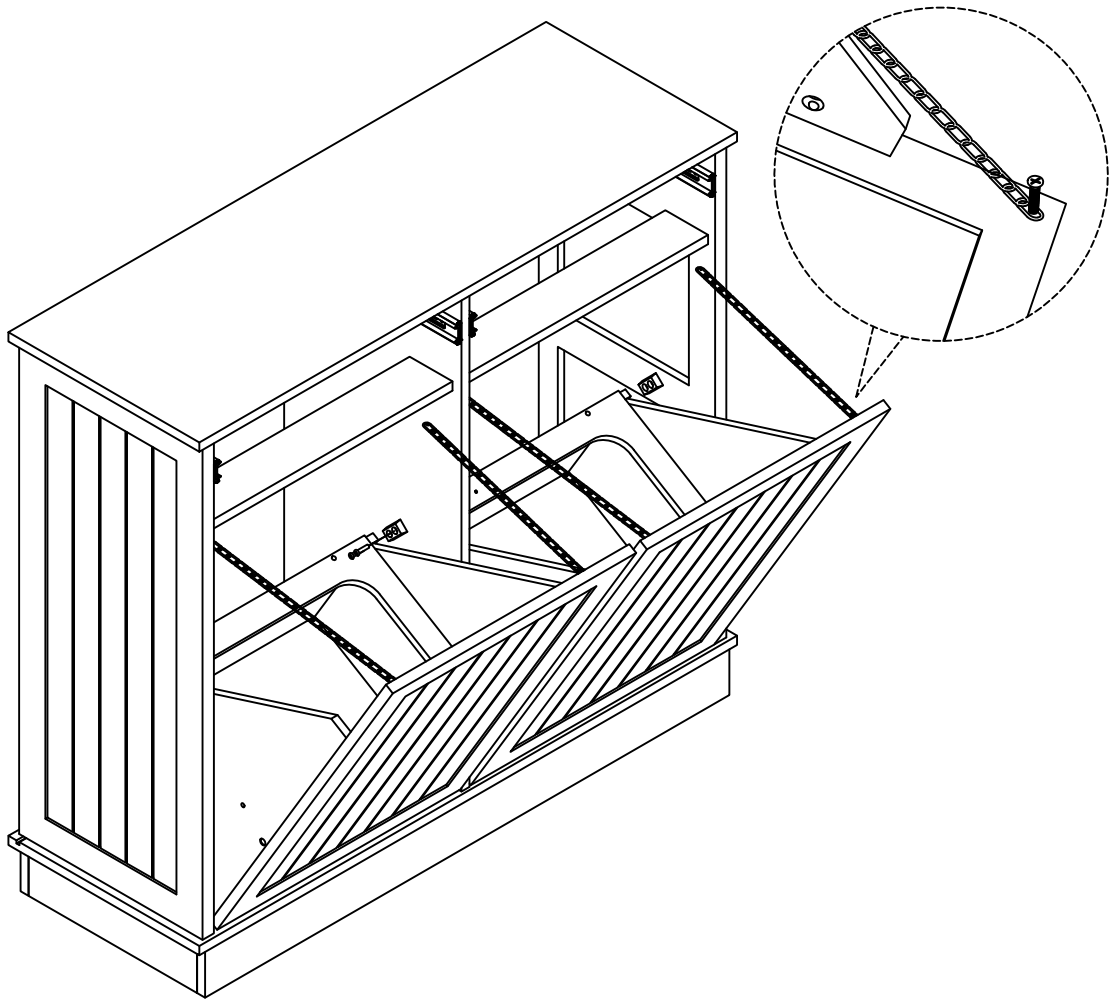
B x 6



Step 20

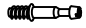

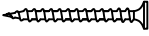
 1 x 4

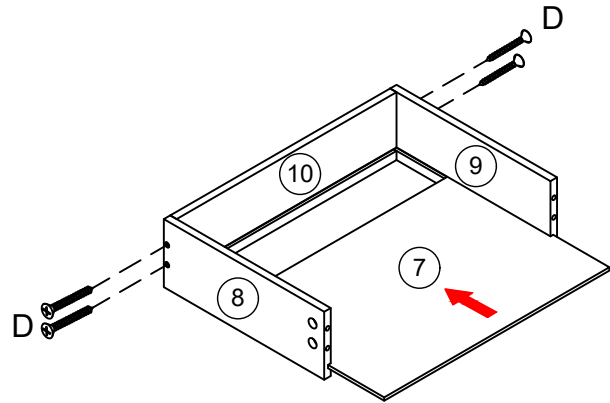
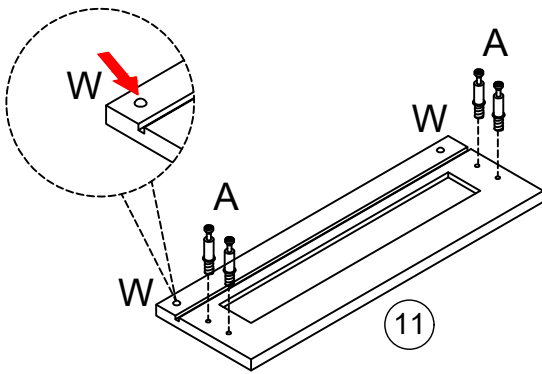
 N x 8



Step 21

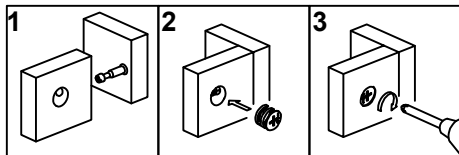
Countersunk hole facing upwards






	A x 4
	W x 2
	D x 4

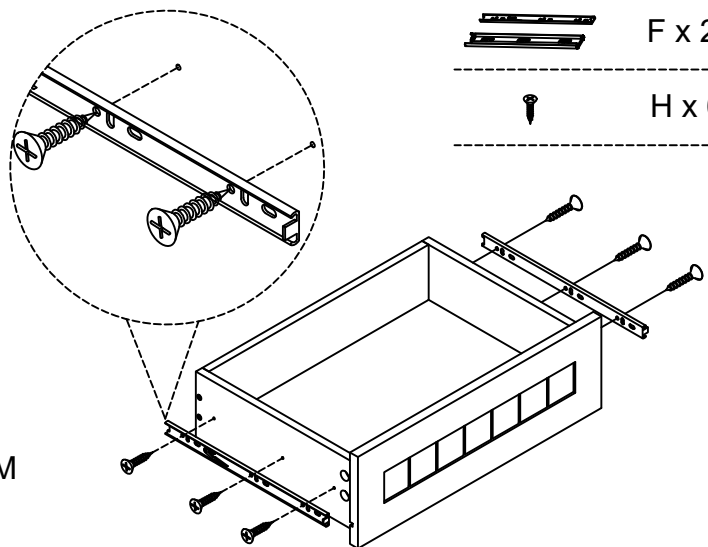
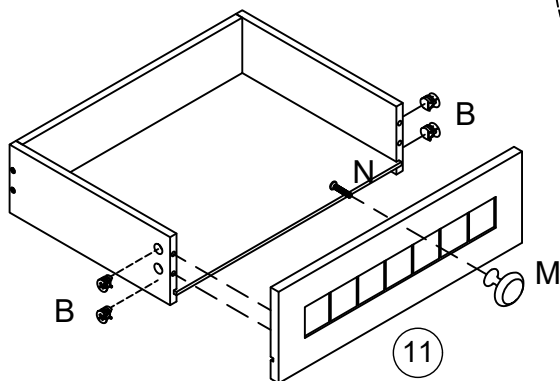


X2

Step 22



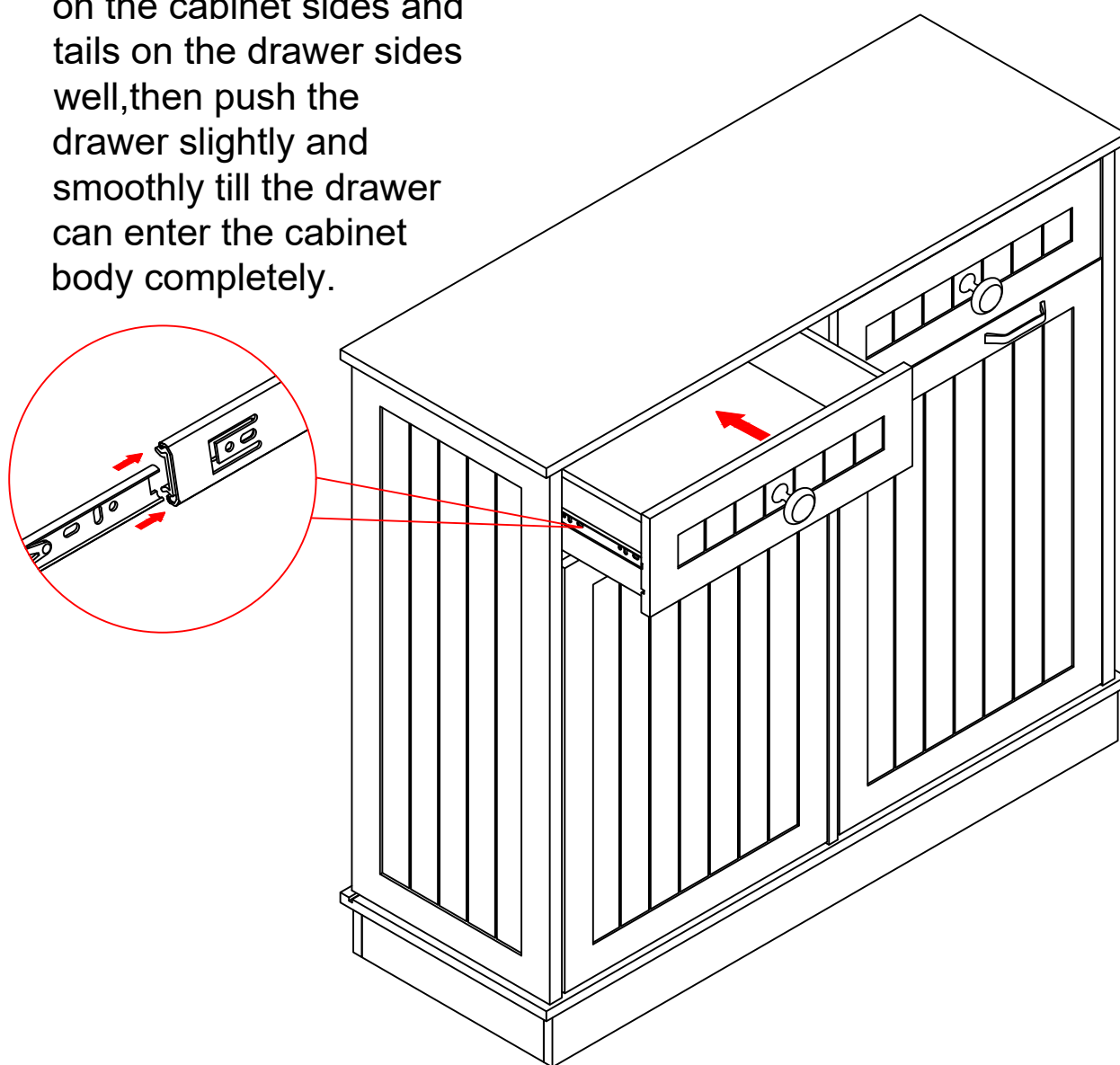
	B x 4
	M x 1
	N x 1
	F x 2
	H x 6



X2

Step 23

Match the rack heads on the cabinet sides and tails on the drawer sides well, then push the drawer slightly and smoothly till the drawer can enter the cabinet body completely.



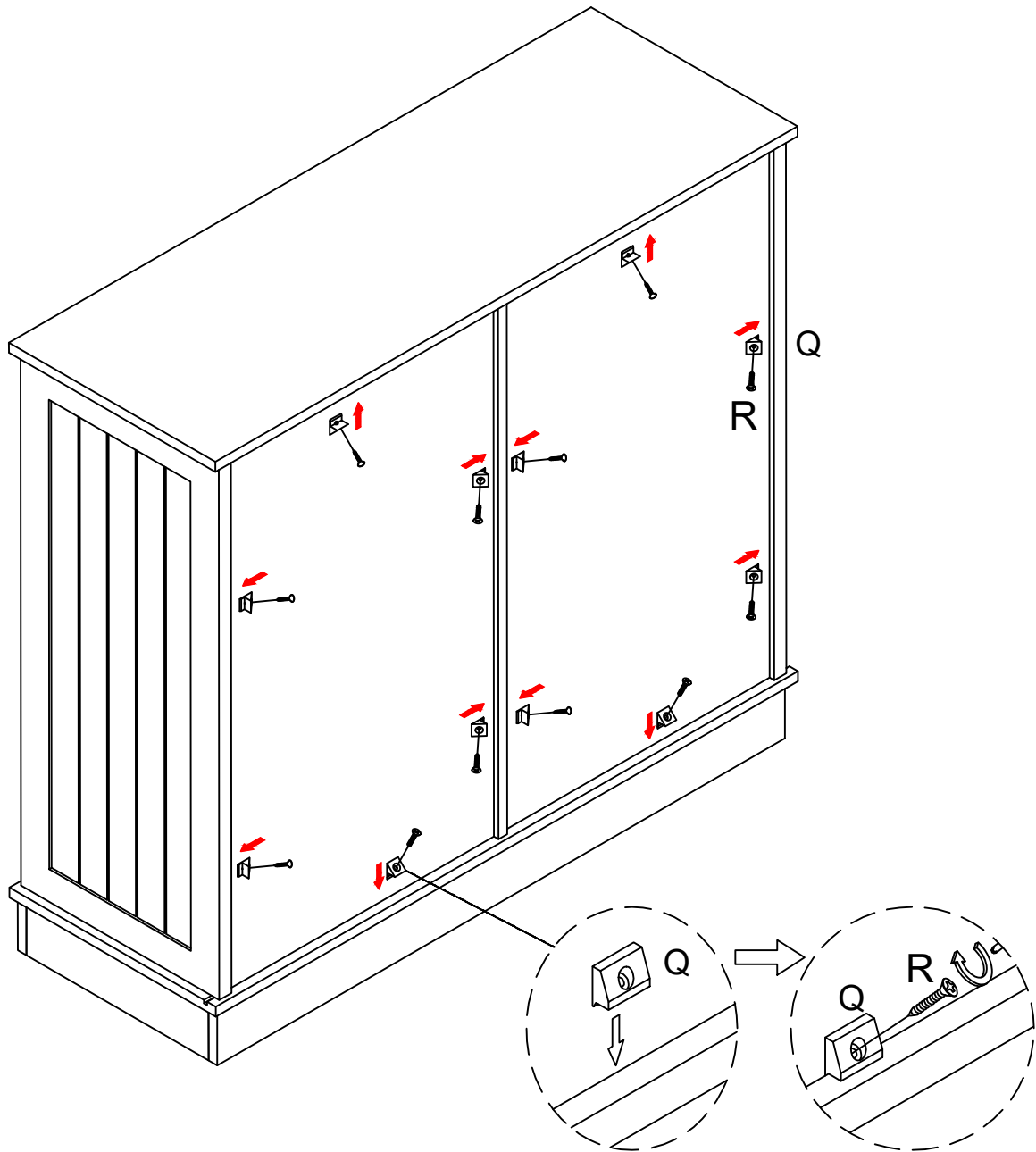
Step 24



Q x 12

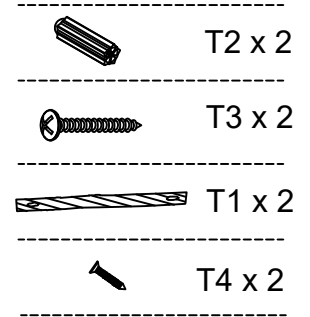
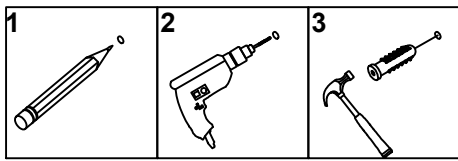


R x 12

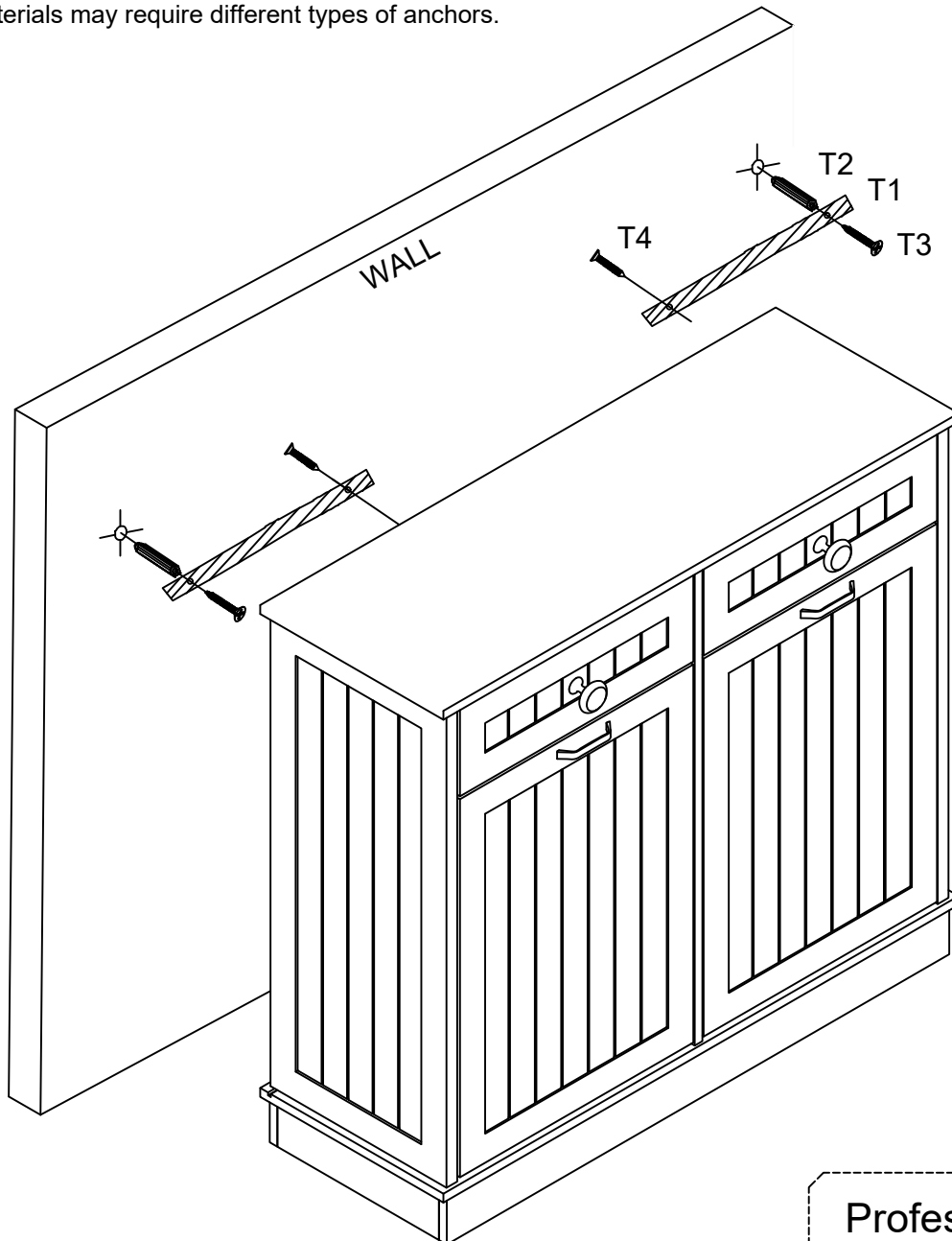


Need to squeeze in

Step 25



WARNING: Serious or fatal injuries can occur from furniture tipping over. To prevent the furniture from tipping over we recommend that it is permanently fixed to the wall. Wall anchor and hardware are included with this product. Please make sure hardware is suitable for your walls before installing, as different wall materials may require different types of anchors.



Professional installation required

Final Assembly

AFTER-SALES SERVICE CARD

We sincerely thank you for trusting our service and our products, and may this product add enrichment to your home. We guarantee that the product has undergone strict quality inspection and meticulous packaging. If you encounter any issue regarding either shipping or the product, please feel free to contact us at any time. We'd be more than happy to serve you wholeheartedly.

- This manual contains important information and keep it properly.
- Please avoid harsh, corrosive and abrasive cleaners.
- Keep dry and avoid damp environments.