

Assembly Instructions

We believe you will absolutely love your new furniture. Please immediately examine this product carefully. Any request for missing part or damage replacement must be received within 90 days of your receipt of the product. For some reason you want to return the product, please contact us directly before you decide to return your product to the retailer. Our Customer Service team can answer most concerns and can assist you with any questions you may have about your new product.

Have these ready when you email:

- Item Number
- PO #
- Purchaser Name
- Proof of Purchase
- Description of the problem and/or the Part Number needed

Replacements for missing or damaged parts or hardware are normally shipped within 3 to 5 business days and we thank you for your patient.

The item must be returned in good condition, in original box, with all original proof of purchase, parts and accessories, within the time frame specified by the retailer it was purchased from.

90-Day Limited Warranty Statement for Manufacturing Defects

Please read this Limited Warranty carefully. To maintain your Warranty, you will need to comply with the conditions stated here.

This warranty is for manufacturing defects only and does not cover damages as a result of misuse.

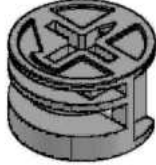


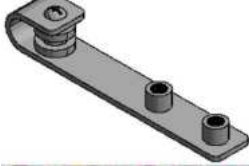

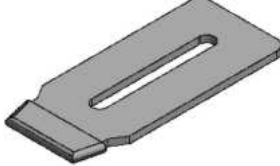


1. Our products sold comply with the description contained in this Warranty. All parts and products are warranted 90-Day from the original date of delivery except: parts and products used for commercial, contract, rental trade, institutional, or any other non-residential purposes; parts and products that have not been maintained in accordance with the care recommendations provided; parts and products damaged resulting from the consumer's improper assembly; or parts and products that are damaged or defective due to normal wear and tear.

2. To exercise rights under this warranty, proper documentation, i.e., photography, purchase order number, manufacturer's bar code label, and or any other pertinent information upon request is required. We reserve the right to repair or replace the product within the warranty period based upon the documentation received as support of a claim for consideration. We will not replace or repair any product if improper maintenance, improper handling, or improper use caused the damage. Any product sold from or modified by a Non-Authorized Dealer, Seller or Consumer will void the Warranty.



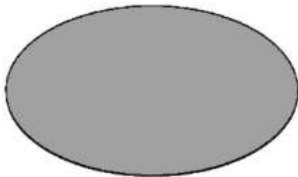
3. Cost of packaging and shipping to and from us is not covered by the warranty unless expressly arranged by us. This warranty does not extend to furniture that has been exchanged or replaced by us as settlement of an original claim of defective merchandise. This warranty does not extend to furniture that has been moved from delivery location on original purchase order.

We appreciate your business!

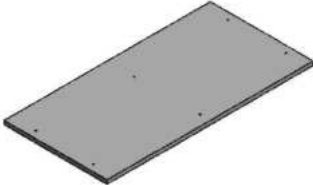




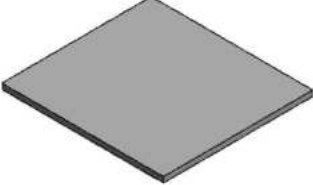
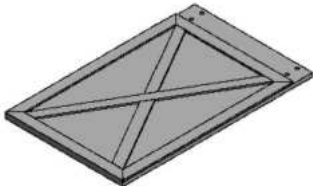
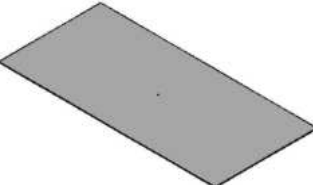

HARDWARES LIST

ITEM	DESCRIPTION	DRAWING	QTY
A	MINIFIX CAM LOCK		23 PCS
B	MINIFIX CAM BOLT		23 PCS
C	WOOD DOWEL (M6 x 25MM)		6 PCS
D	6/8" NAIL		24 PCS
E	DOOR ROLLER		2 PCS
F	DOOR ROLLER SCREW		4 PCS
G	DOOR ROLLER PLATE		2 PCS
H	PLASTIC STRIP (H SHAPE)		1 PC
I	SHELF SUPPORT		8 PCS

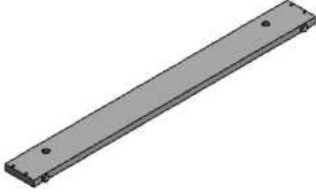
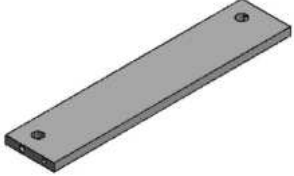
HARDWARES LIST

ITEM	DESCRIPTION	DRAWING	QTY
J	CSK SCREW (M3.5 x 12MM)		4 PCS
K	TIPPING RESTRAINT		1 PC
L	STICKER		6 PCS

PARTS LIST

ITEM	DESCRIPTION	DRAWING	QTY
1	TOP PANEL		1 PC
2	LEFT PANEL		1 PC
3	RIGHT PANEL		1 PC
4	CENTER PANEL		1 PC
5	SUPPORT RAIL		1 PC
6	SHELF		2 PCS
7	SLIDING DOOR		1 PC
8	BACK PANEL		2 PCS
9	BOTTOM PANEL		1 PC

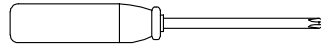
PARTS LIST

ITEM	DESCRIPTION	DRAWING	QTY
10	LEG FRAME (LONG)		2 PCS
11	LEG FRAME(SHORT)		2 PCS

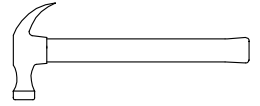
*Note: All parts needed are shown in above picture.
Numbers only indicate the specific parts for easy assembly.

ASSEMBLY TOOLS REQUIRED

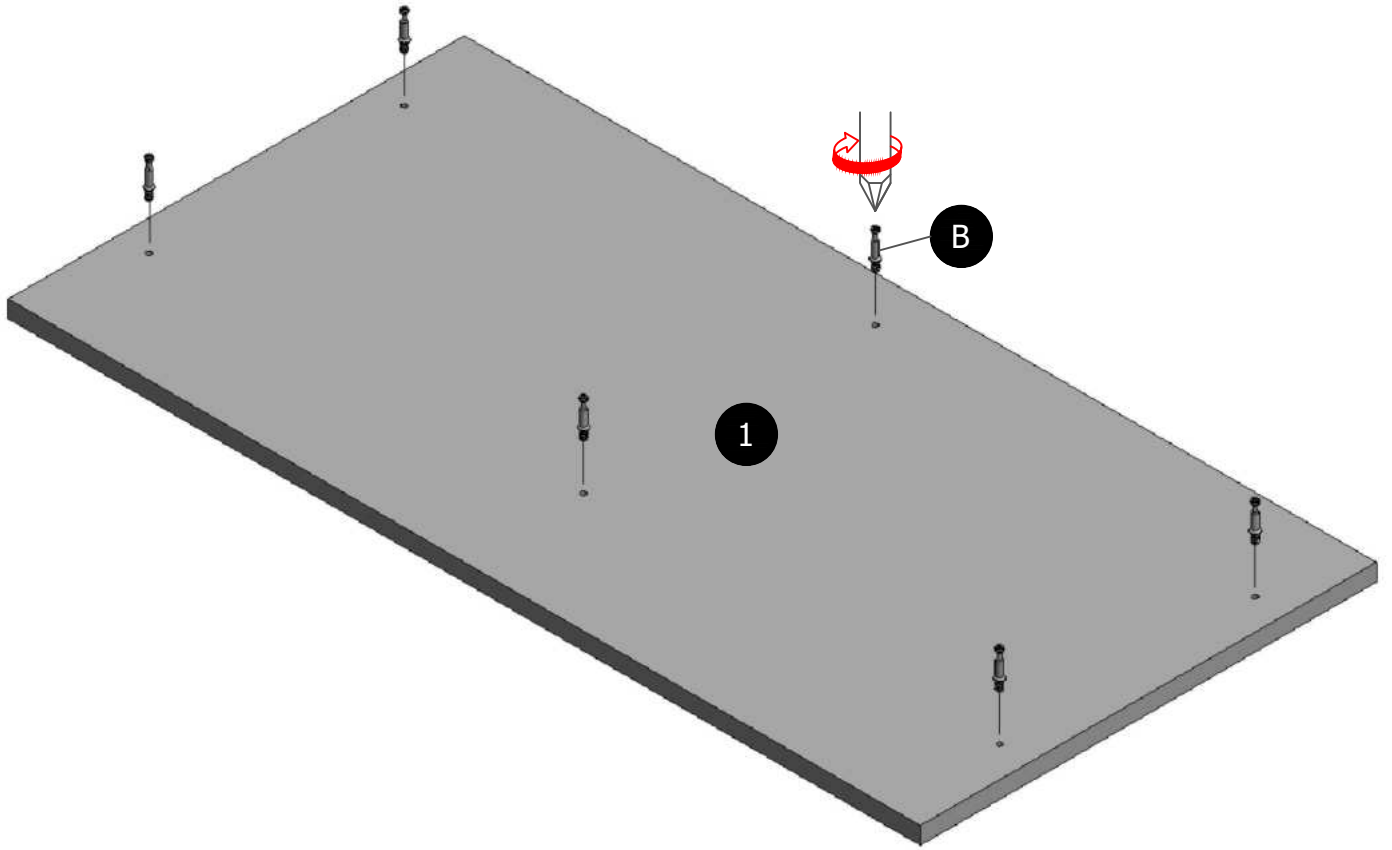
1. Screwdriver (not provide)



2. Hammer (not provide)

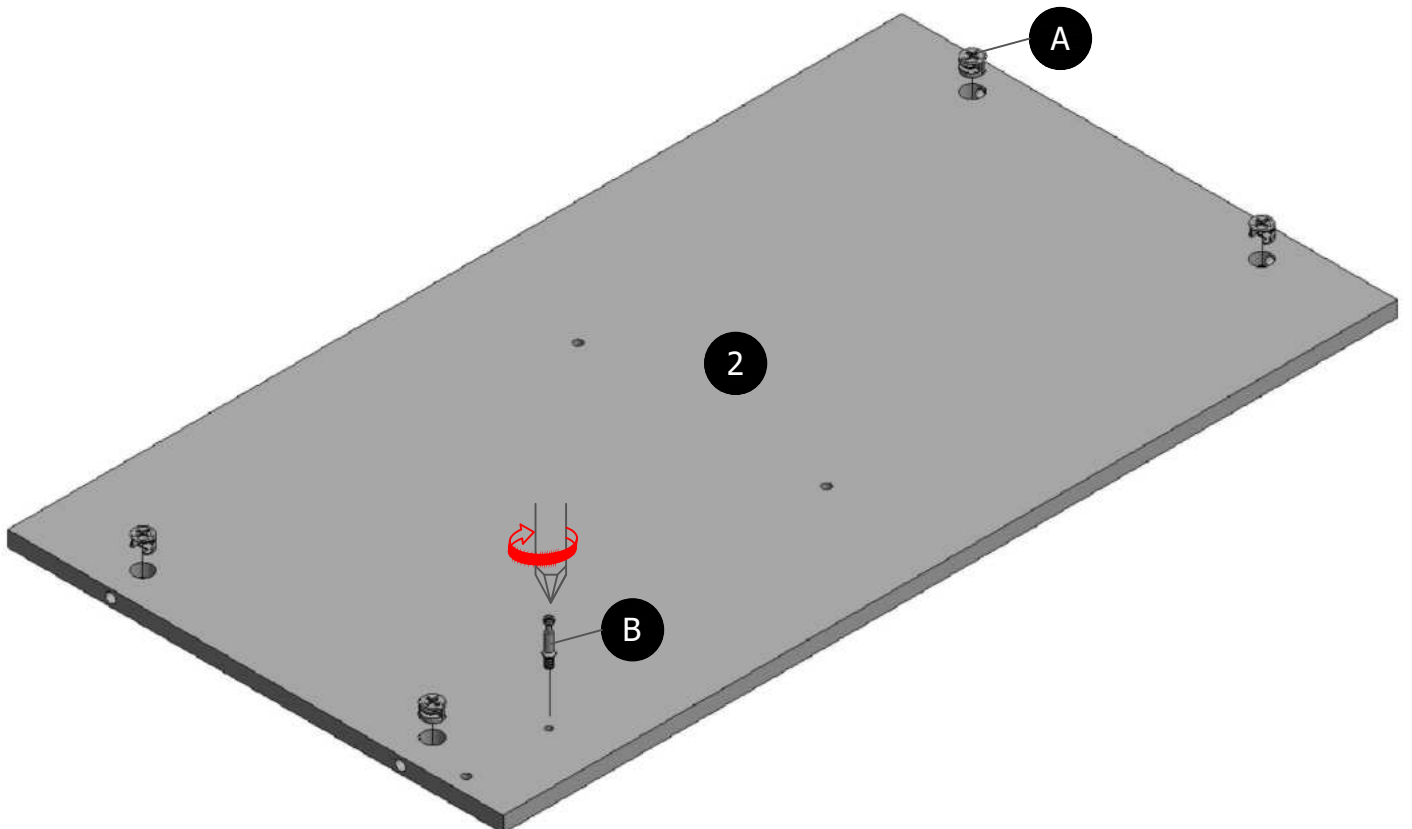


STEP 1



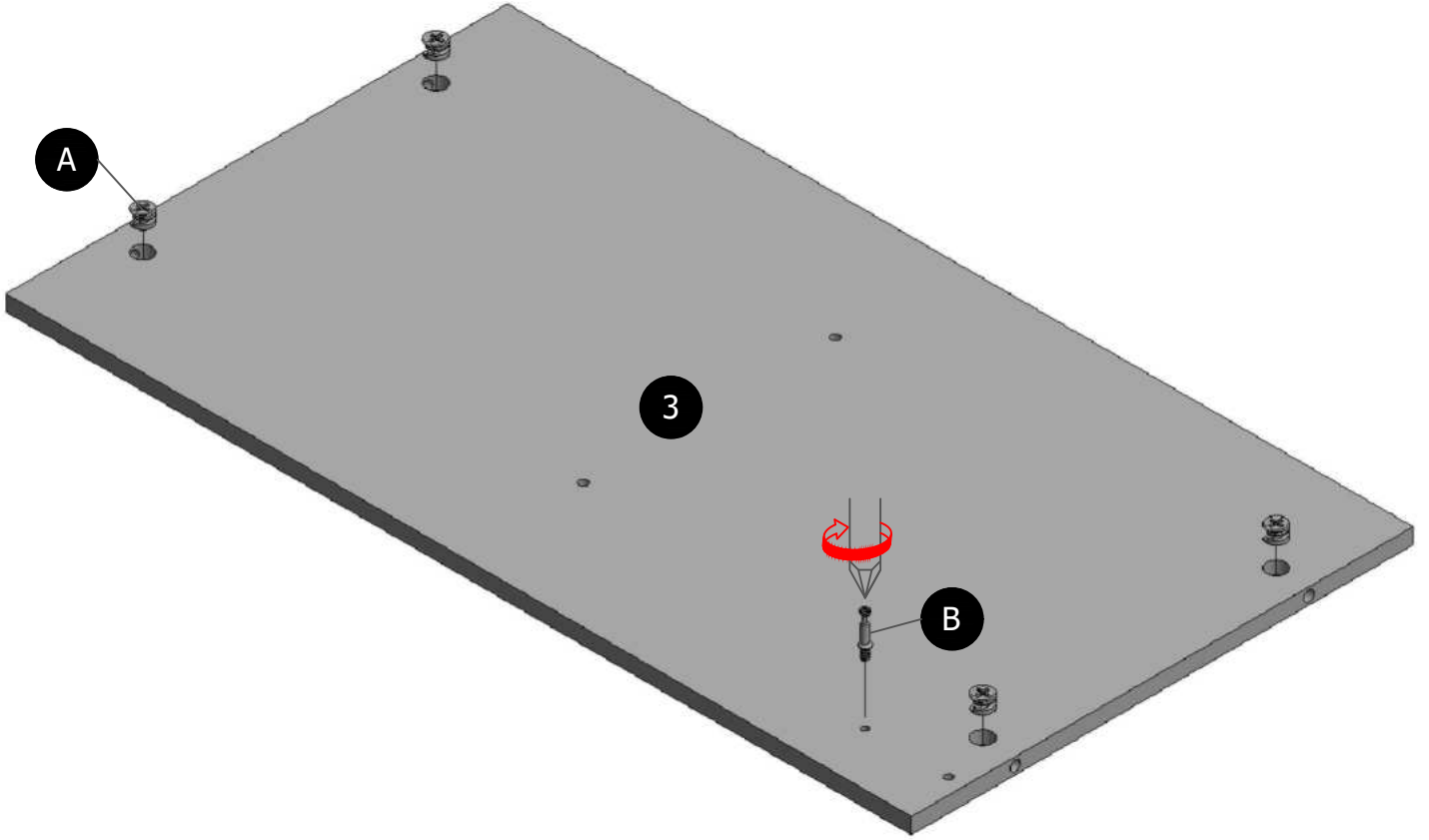
STEP 2

NOTE : - Make sure arrows on each (A) point towards nearest edge with hole.



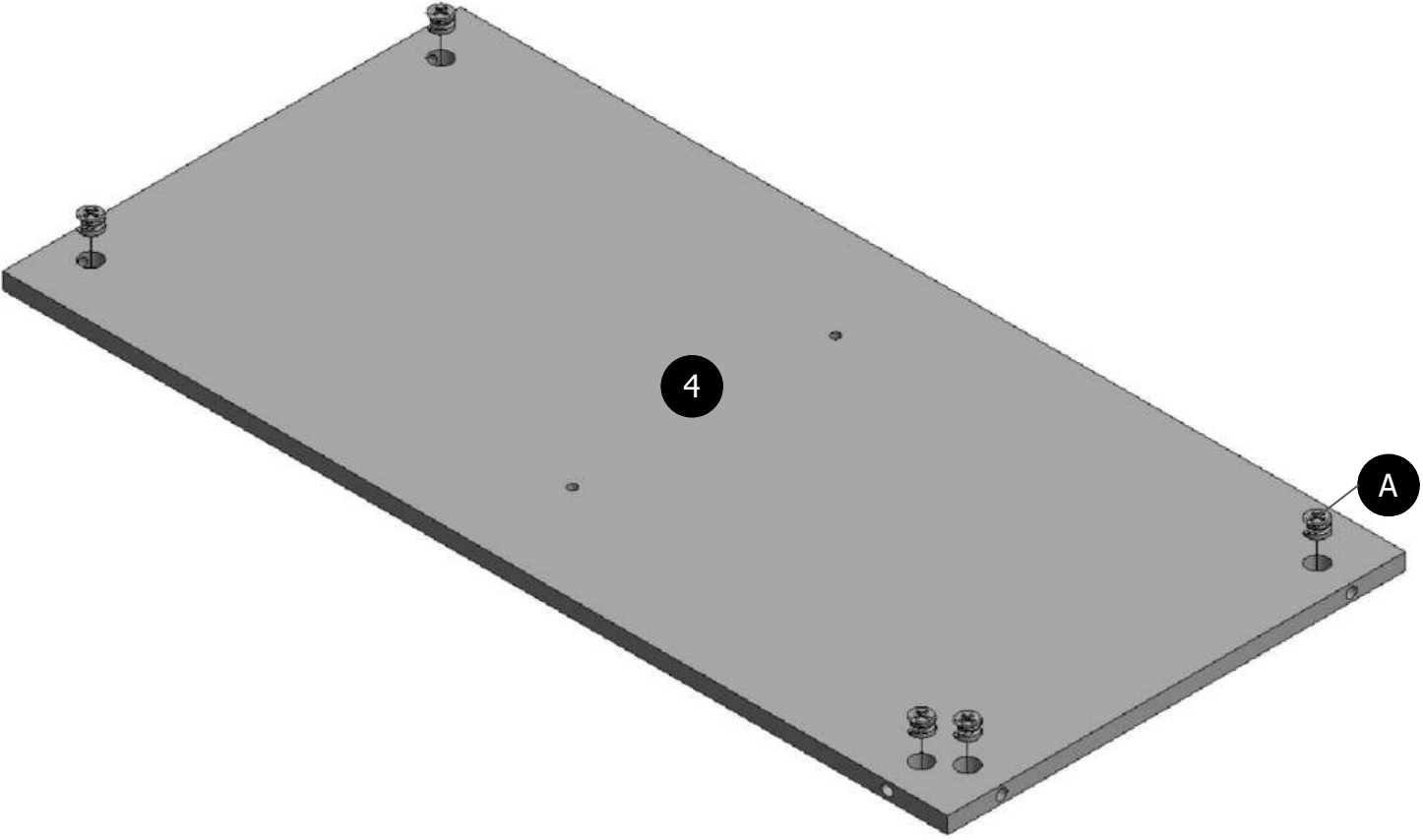
STEP 3

NOTE : - Make sure arrows on each (A) point towards nearest edge with hole.



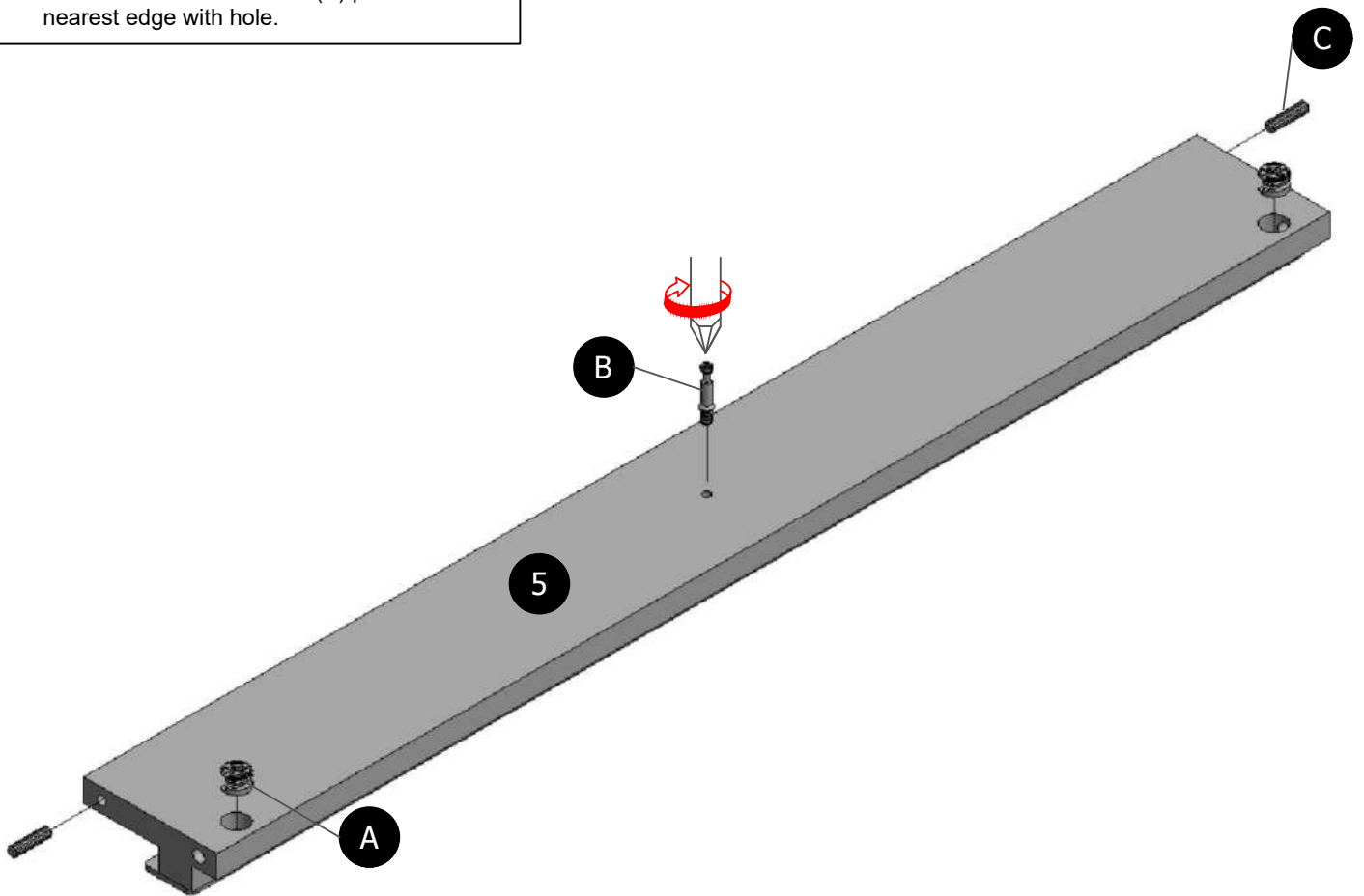
STEP 4

NOTE : - Make sure arrows on each (A) point towards nearest edge with hole.

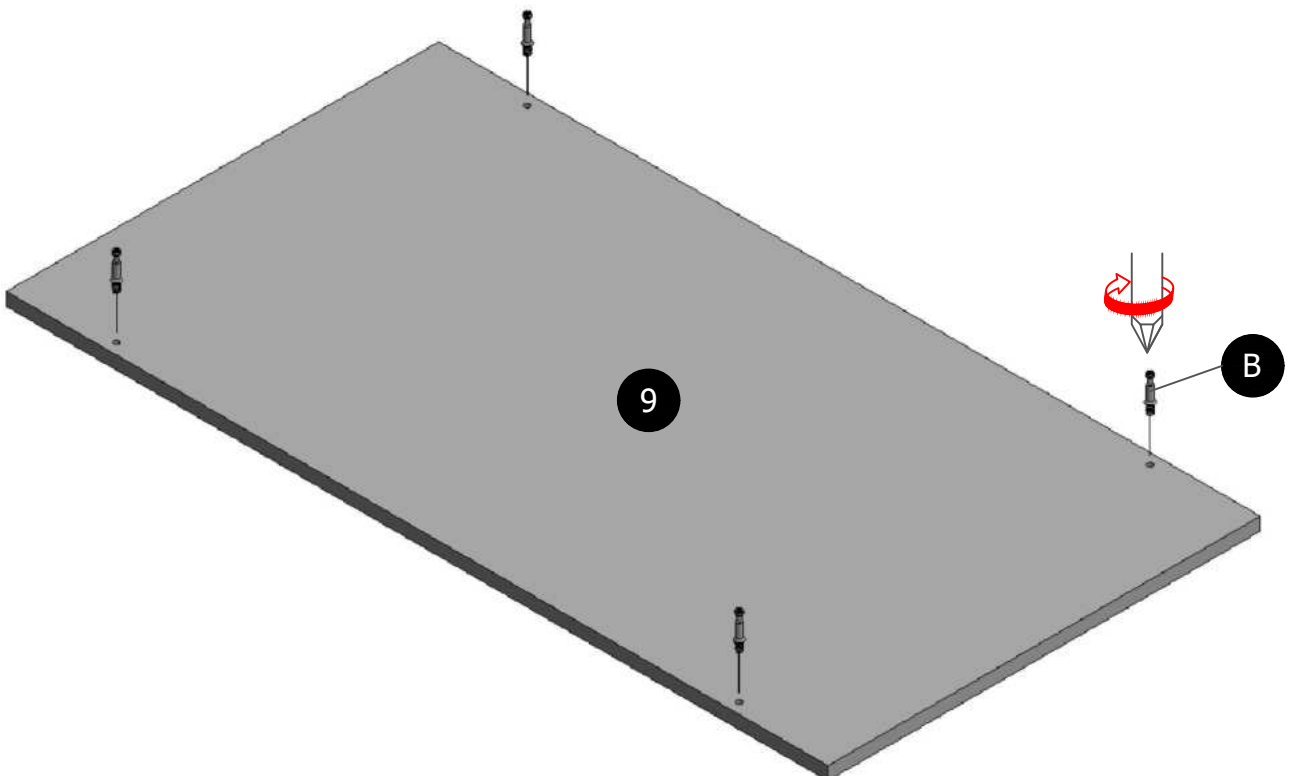


STEP 5

NOTE : - Make sure arrows on each (A) point towards nearest edge with hole.



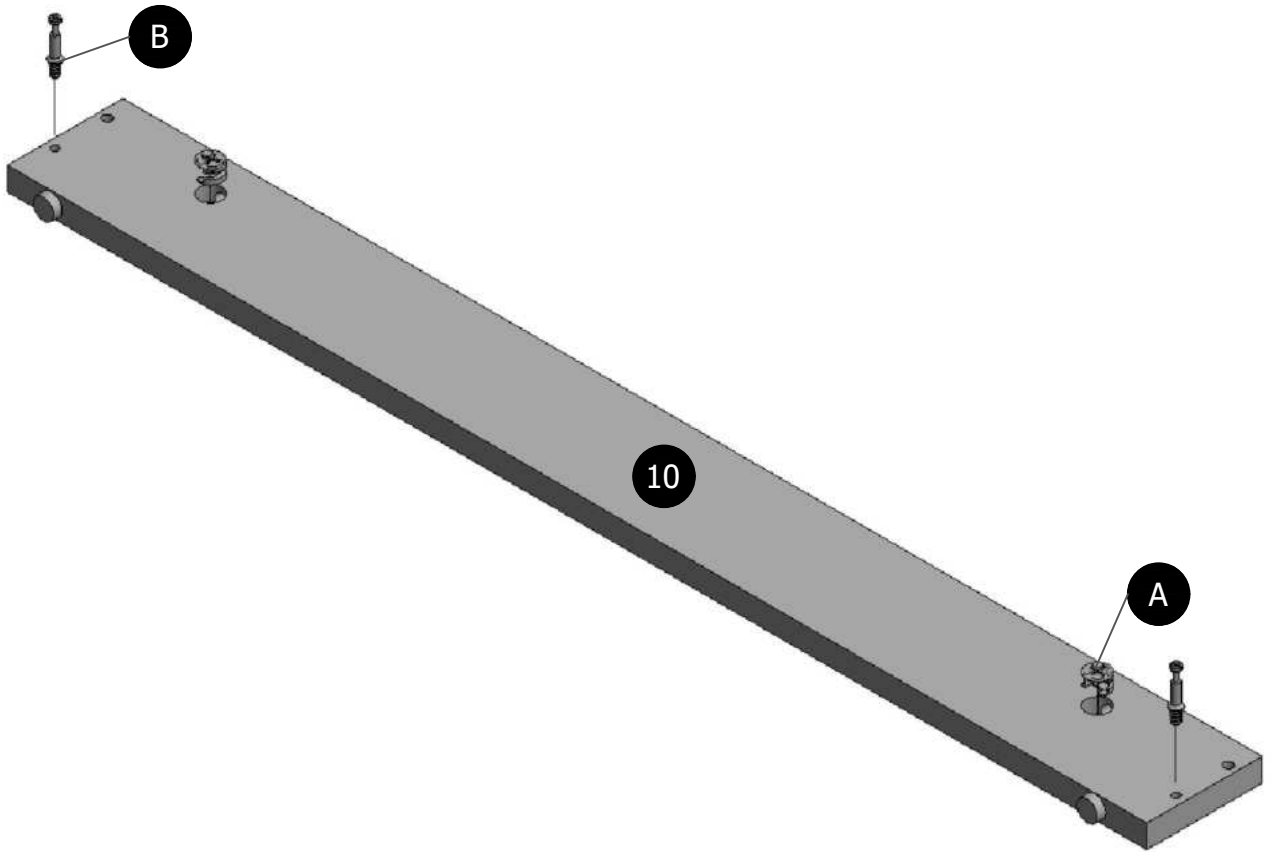
STEP 6



STEP 7

NOTE : - Make sure arrows on each (A) point towards nearest edge with hole.

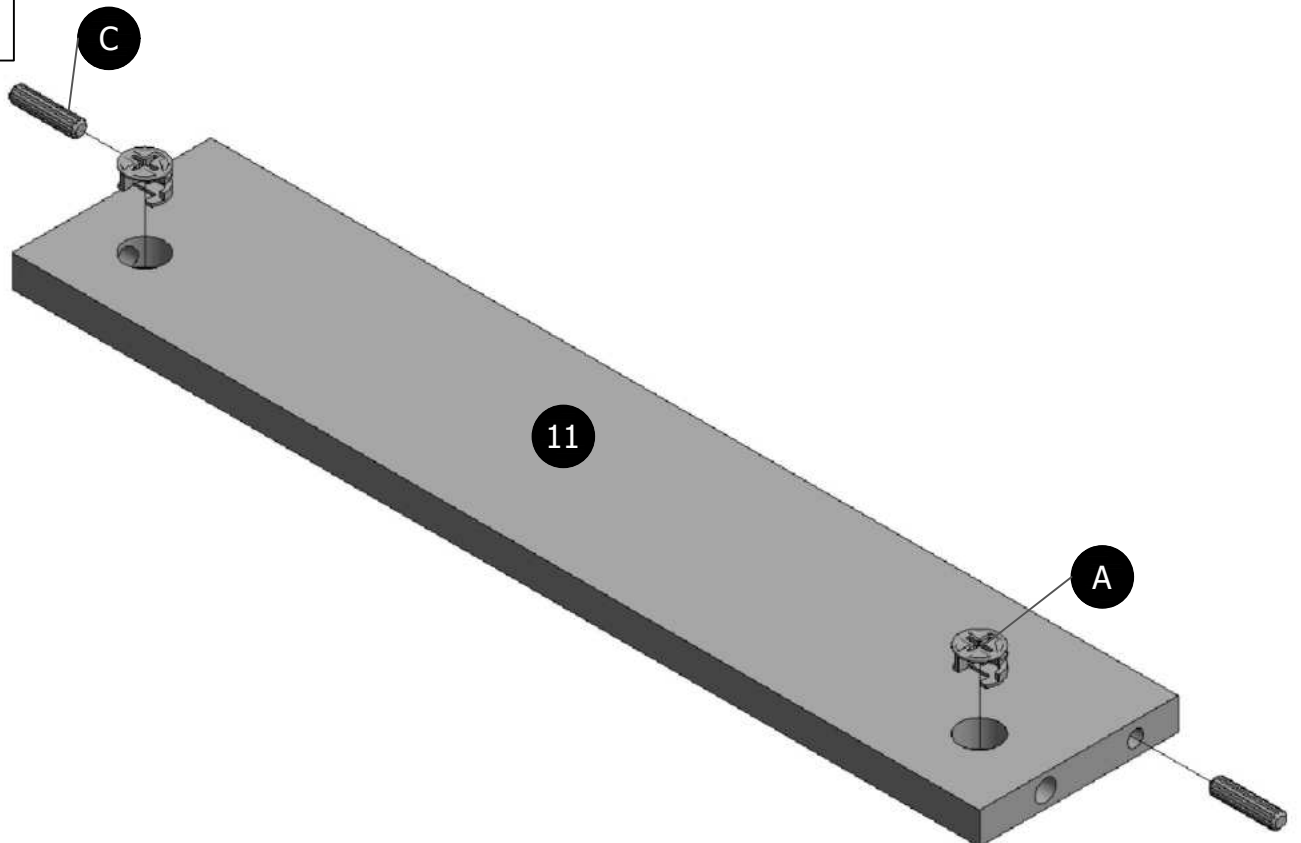
x 2



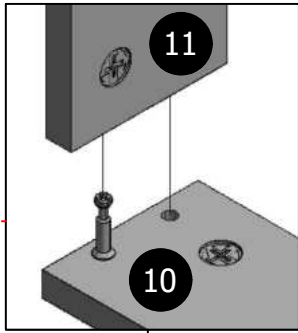
STEP 8

NOTE : - Make sure arrows on each (A) point towards nearest edge with hole.

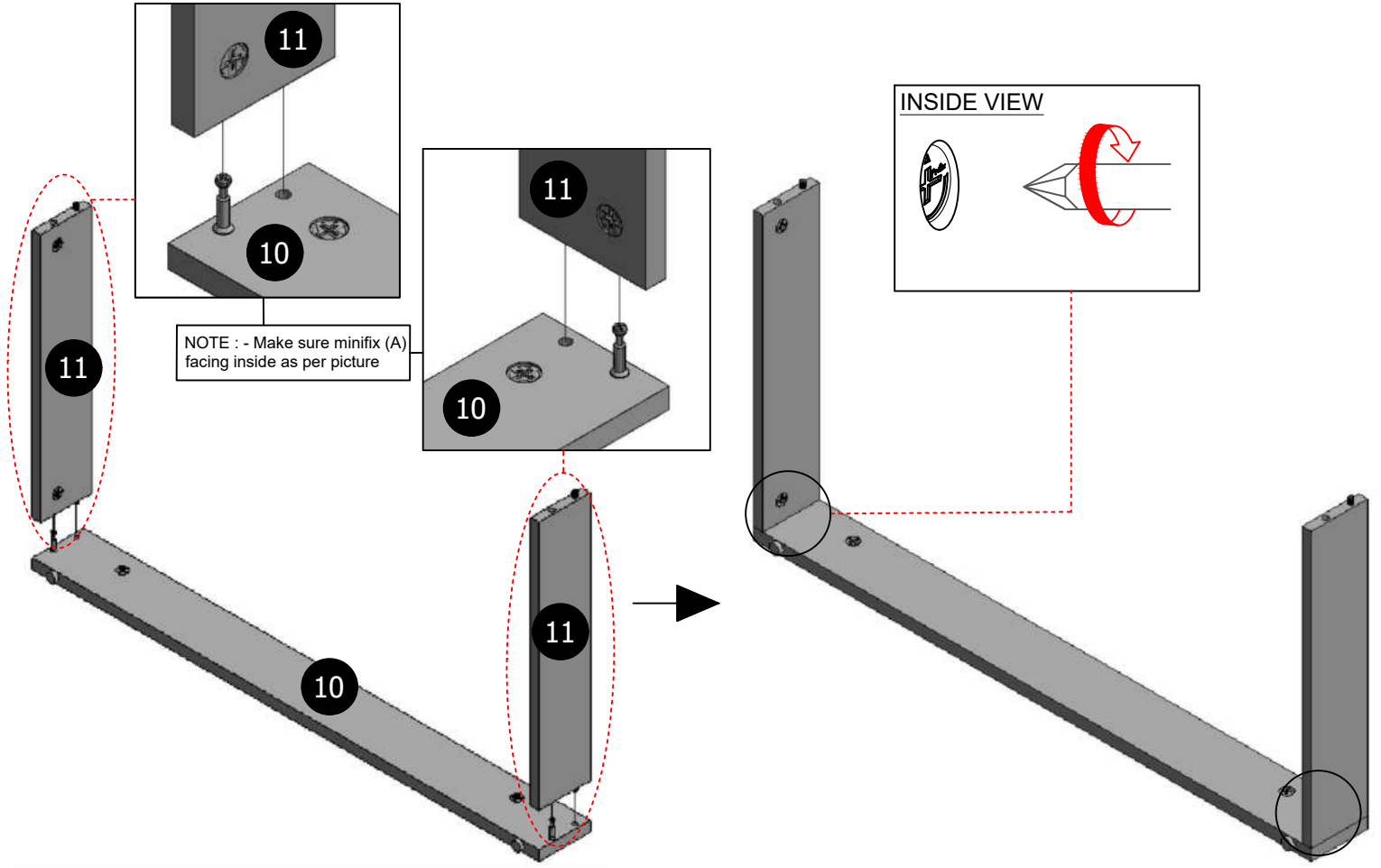
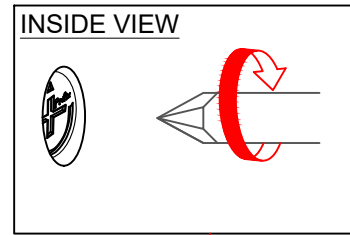
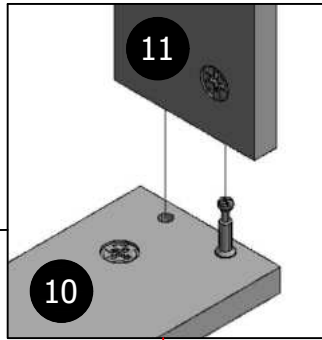
x 2



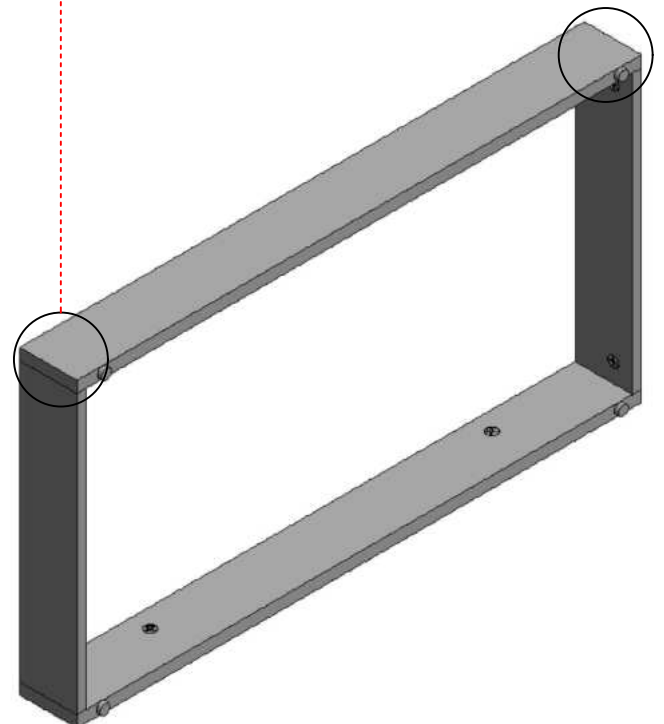
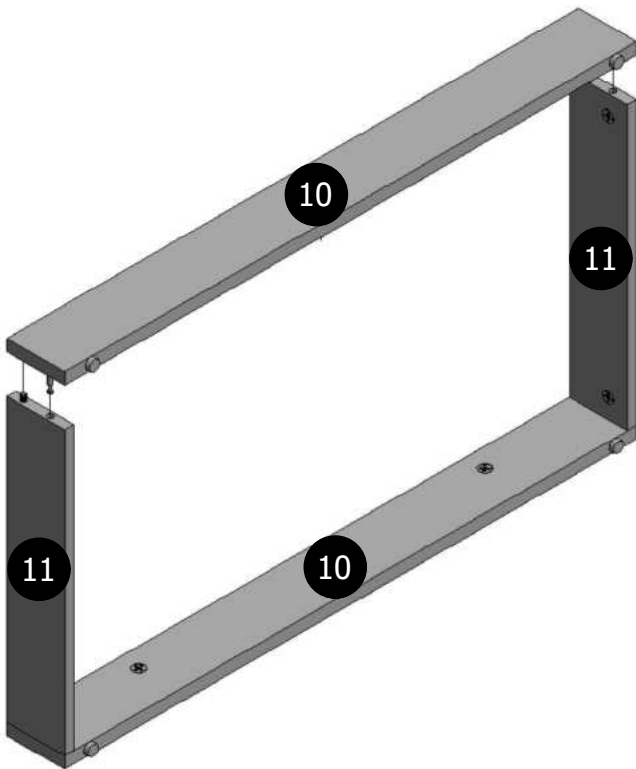
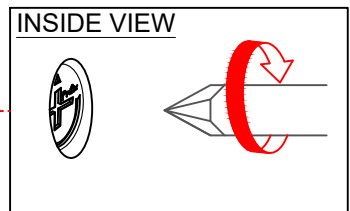
STEP 9



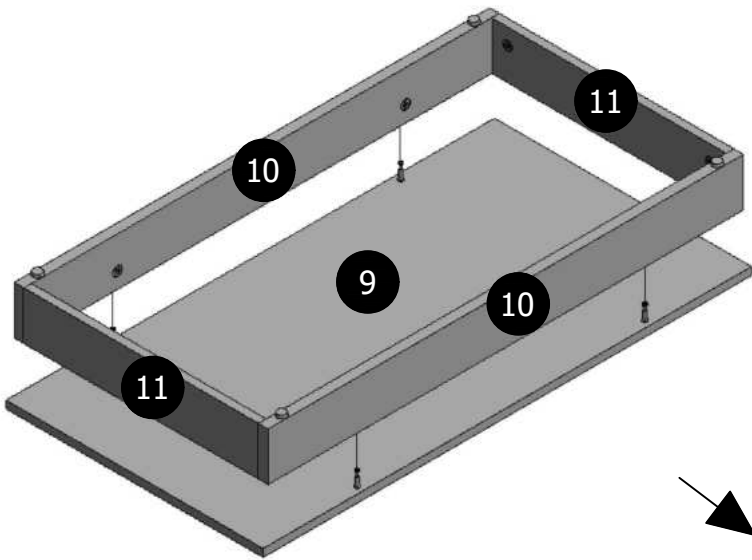
NOTE : - Make sure minifix (A) facing inside as per picture



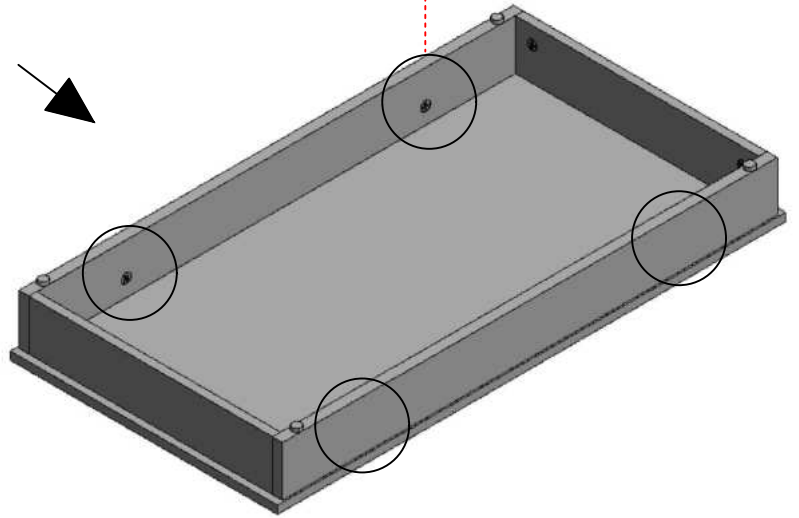
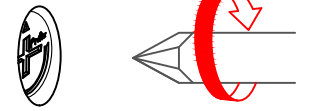
STEP 10



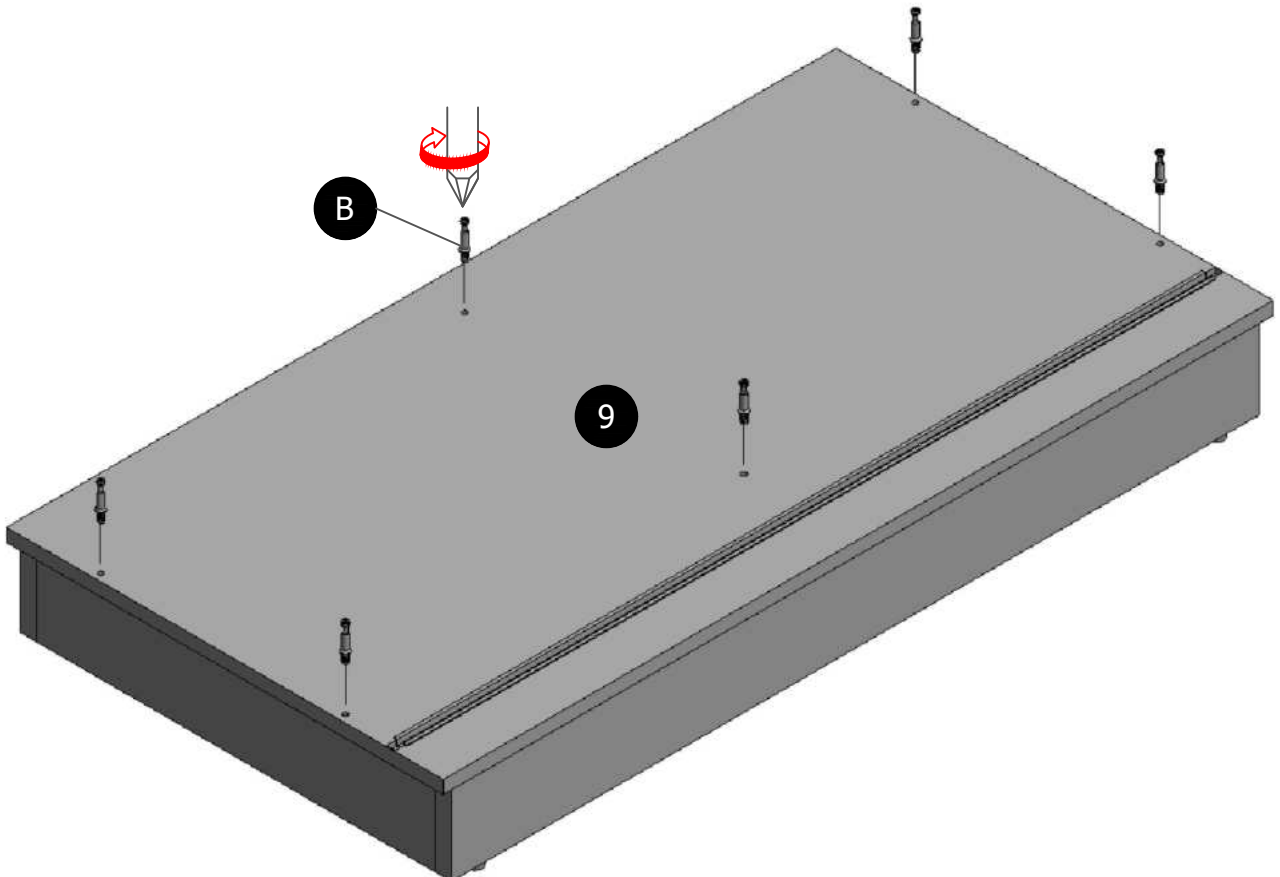
STEP 11



INSIDE VIEW



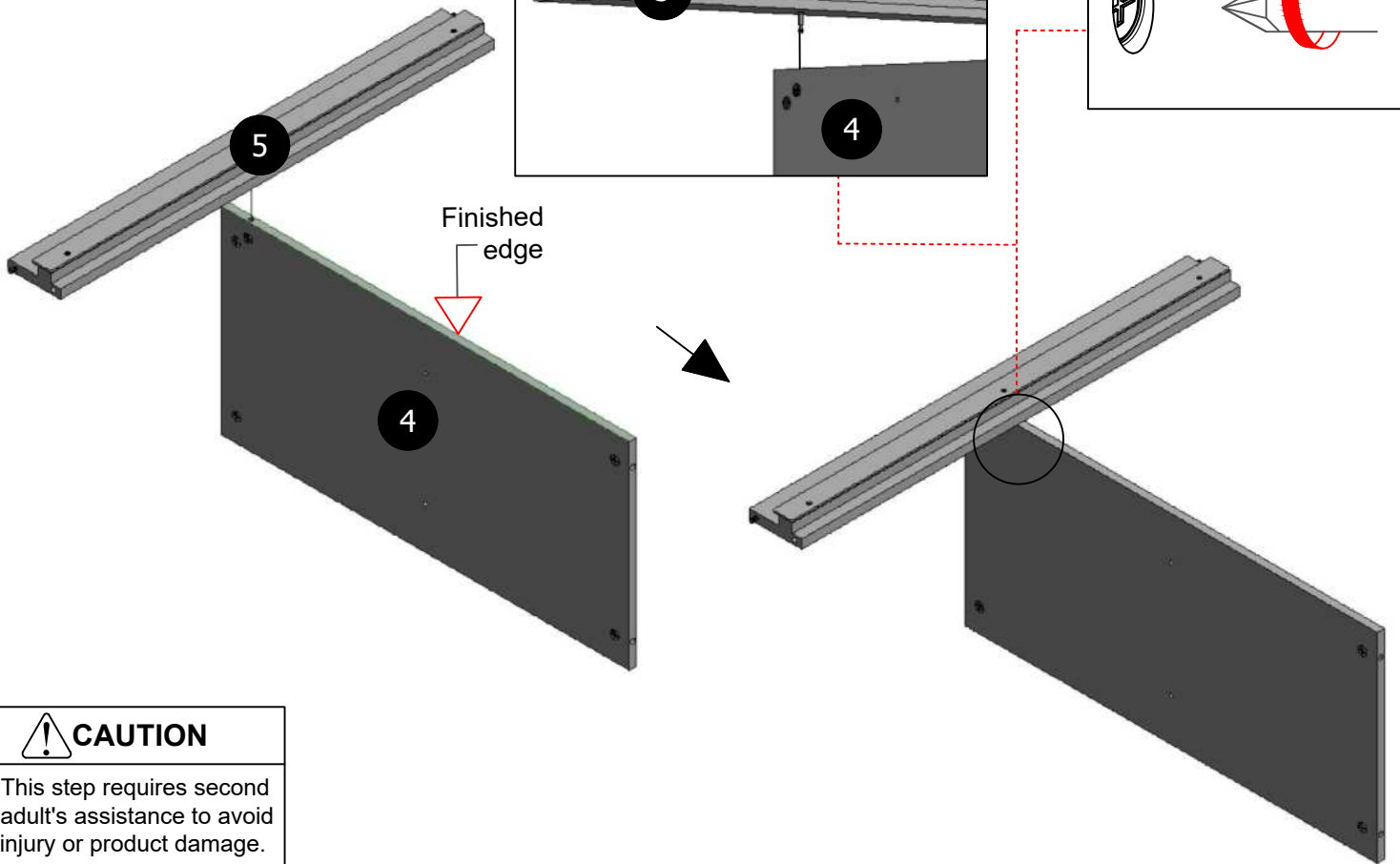
STEP 12



STEP 13

STEP 13.1

INSIDE VIEW



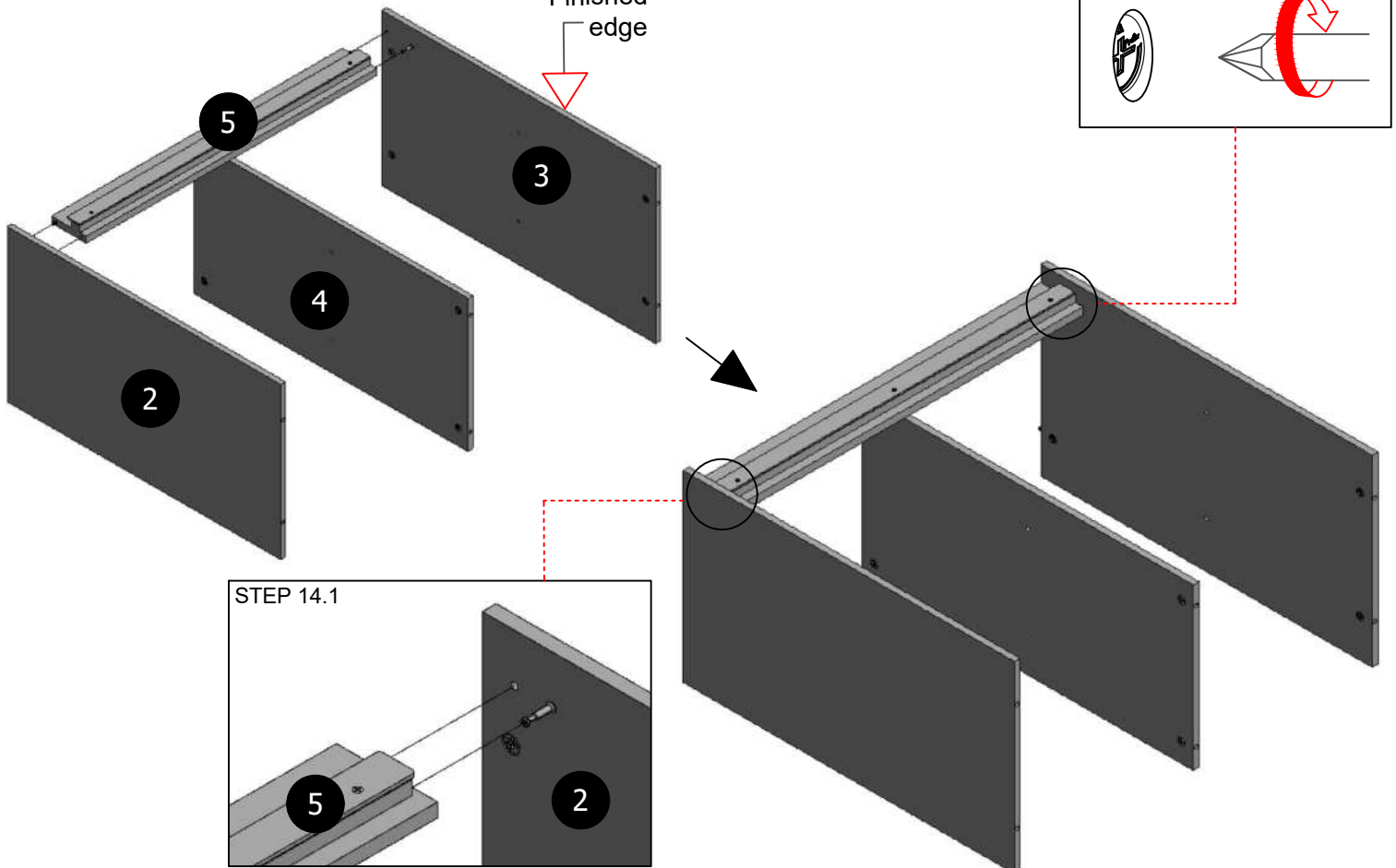
CAUTION

This step requires second adult's assistance to avoid injury or product damage.

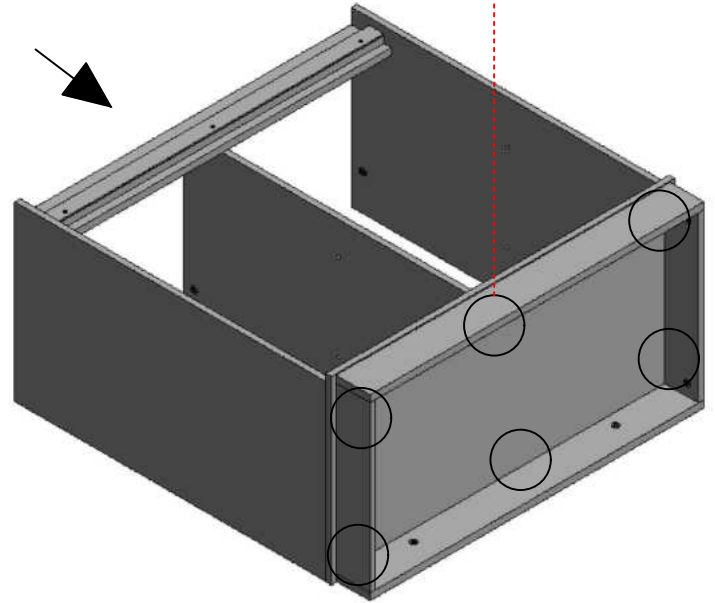
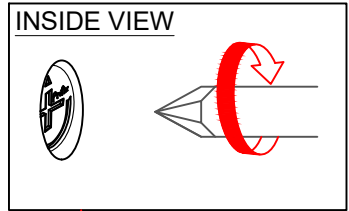
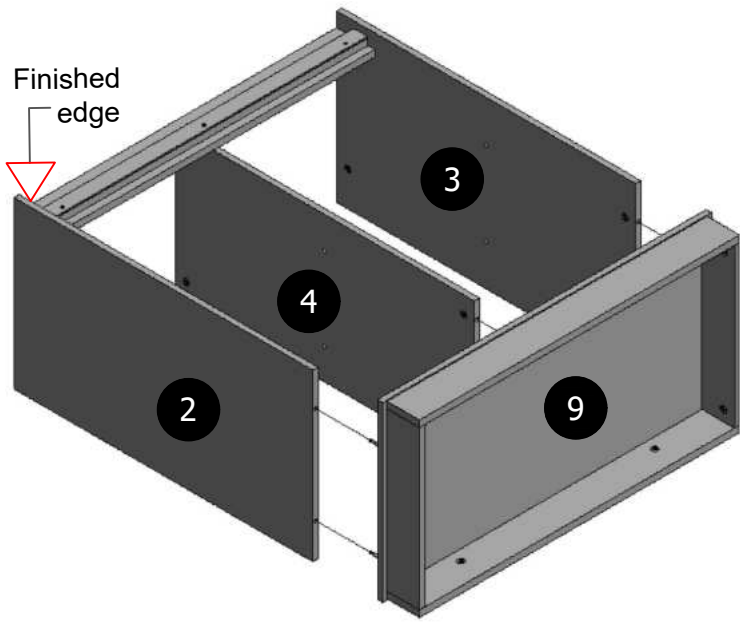
STEP 14

Finished edge

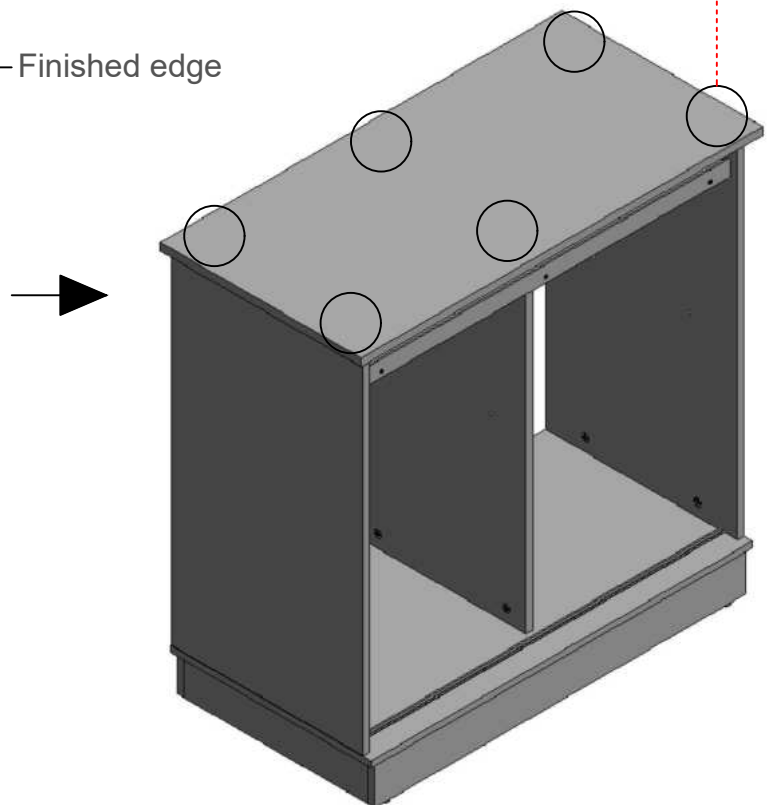
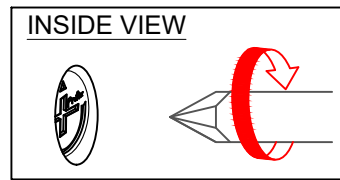
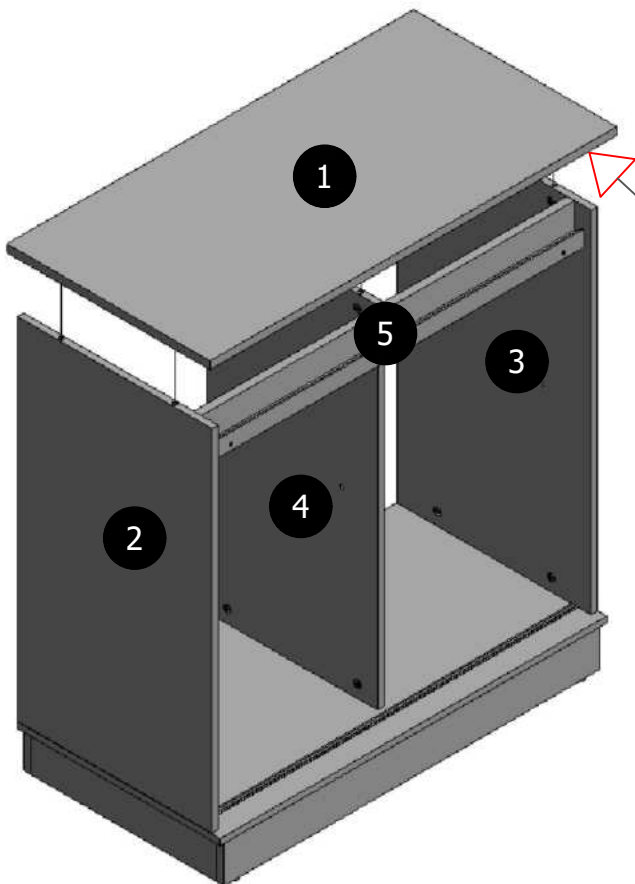
INSIDE VIEW



STEP 15

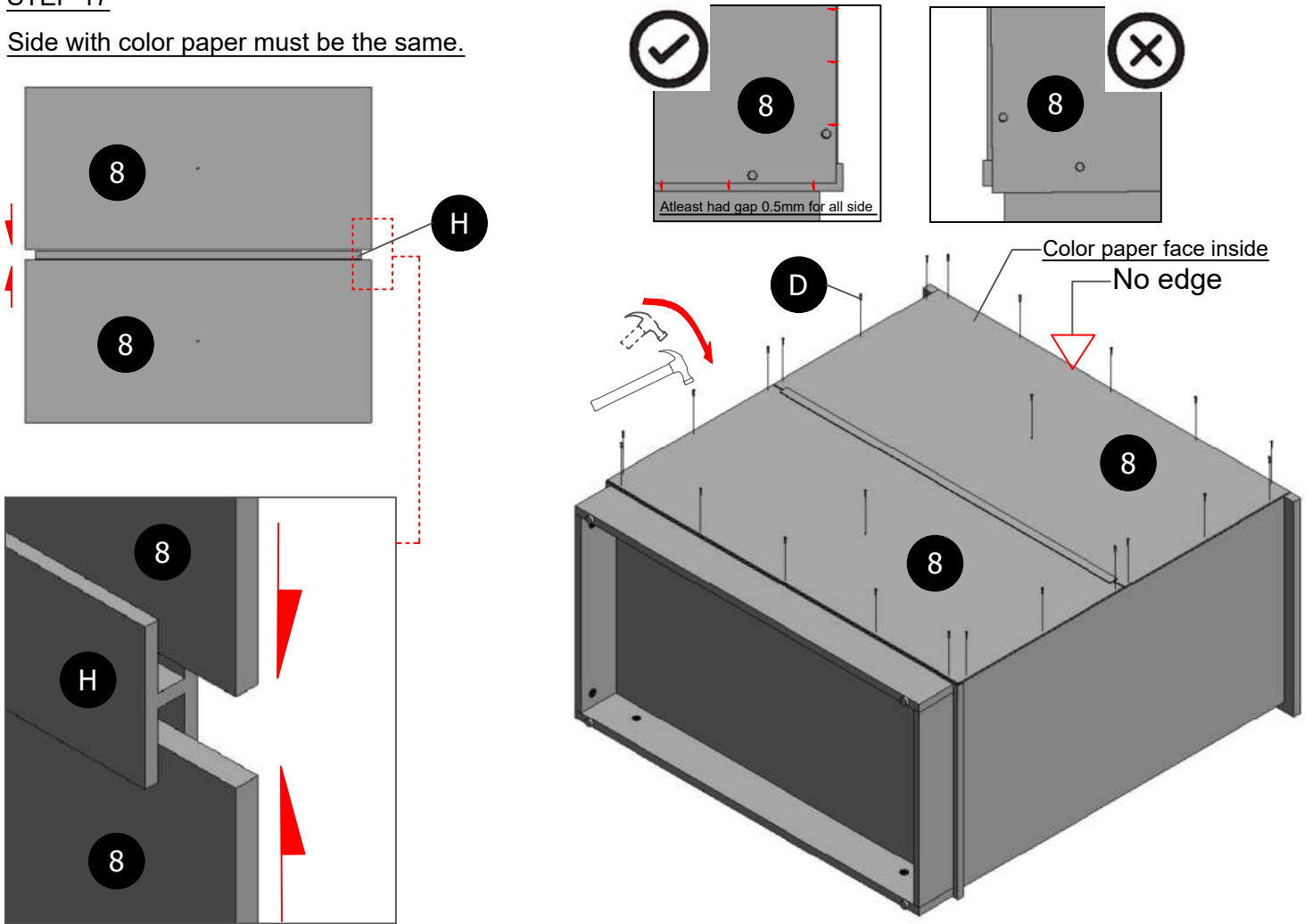


STEP 16

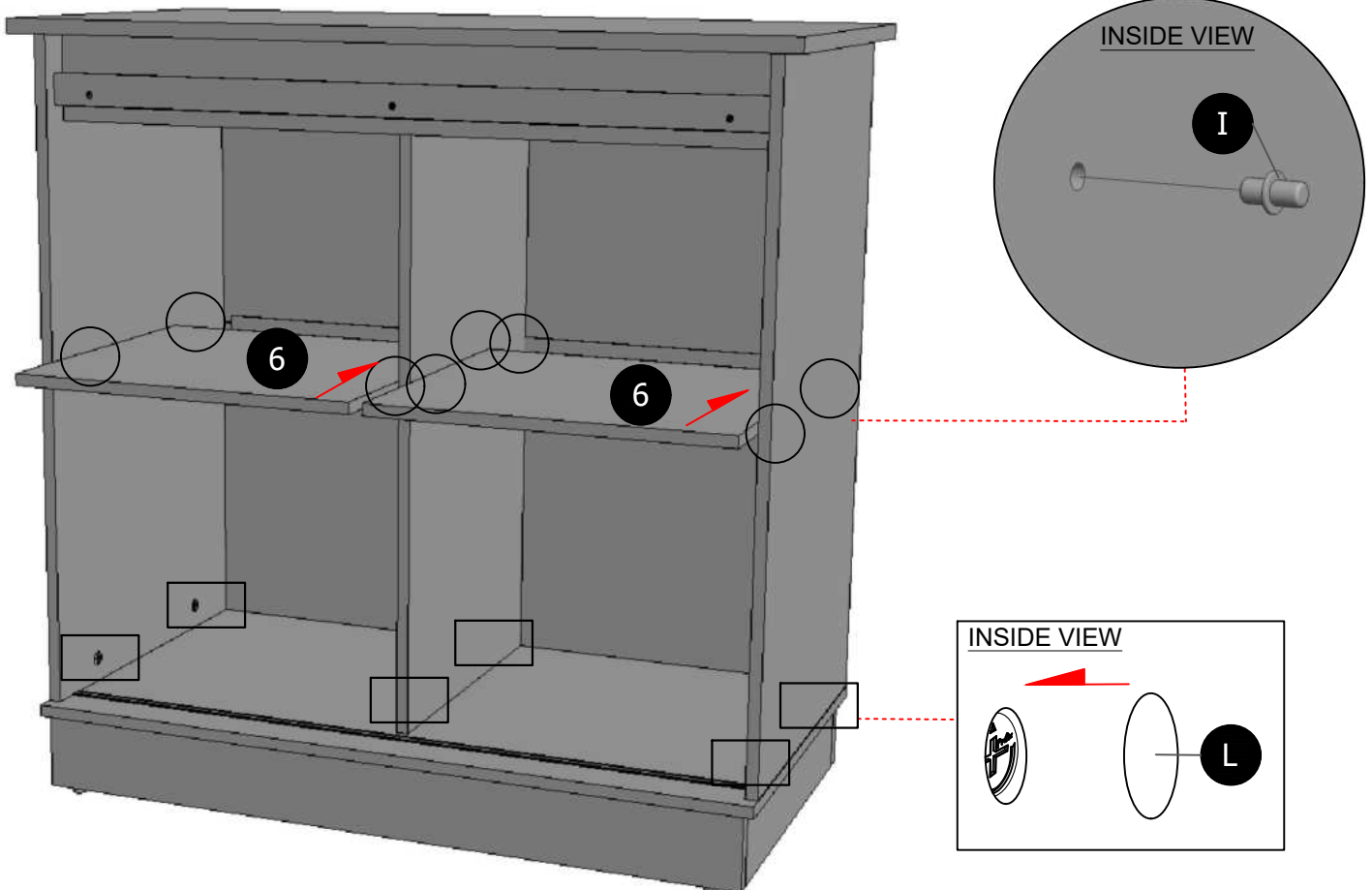


STEP 17

Side with color paper must be the same.

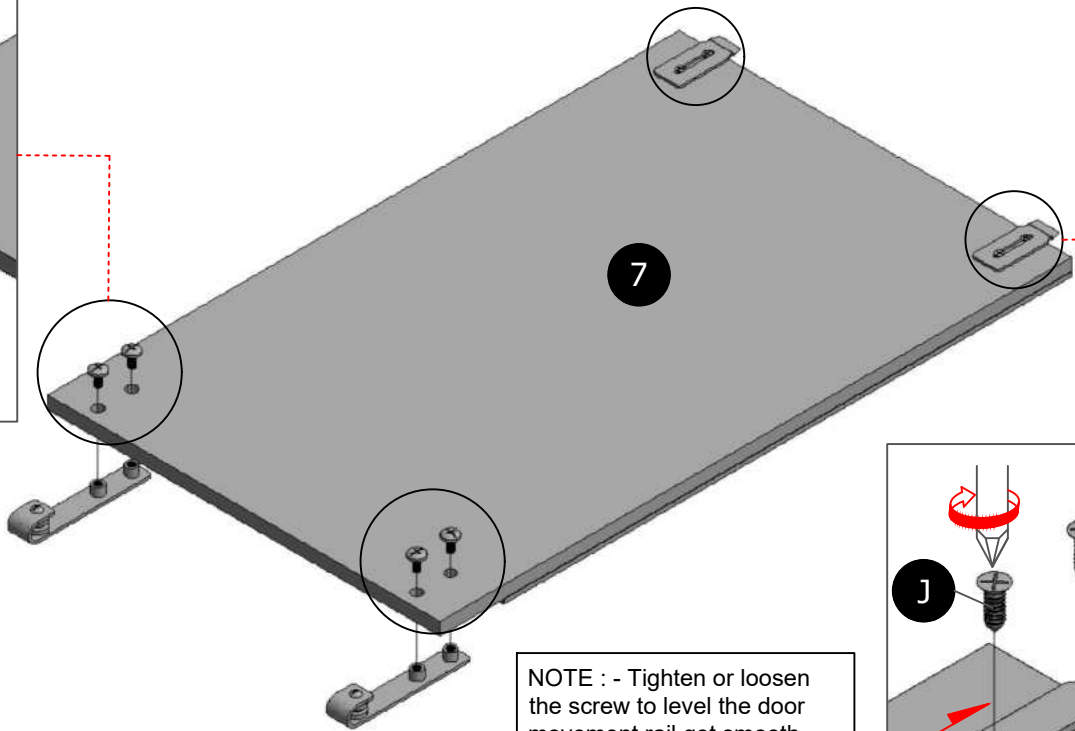
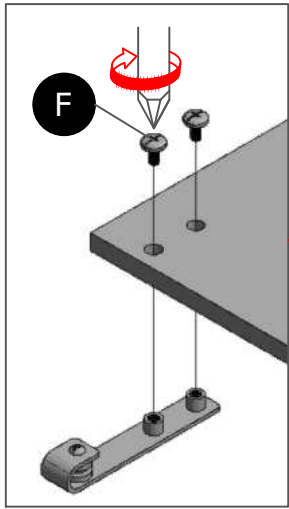


STEP 18

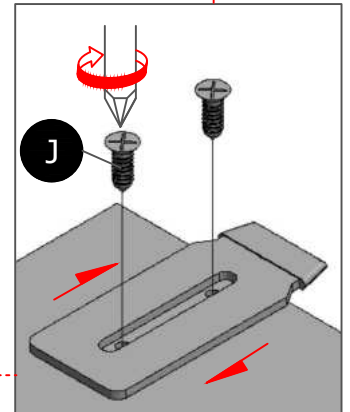


STEP 19

STEP 19.1



STEP 19.2

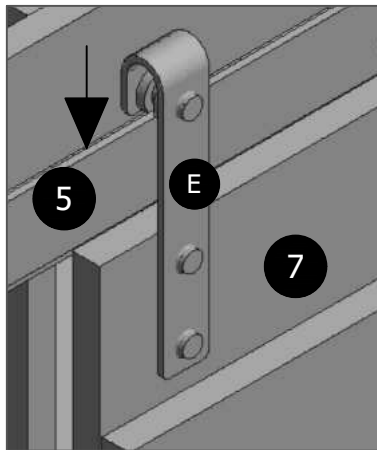
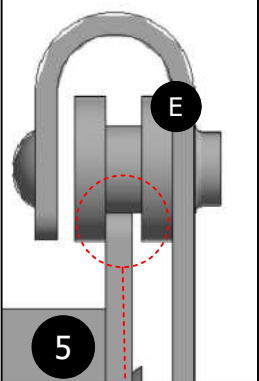


NOTE : - Tighten or loosen the screw to level the door movement rail get smooth

STEP 20

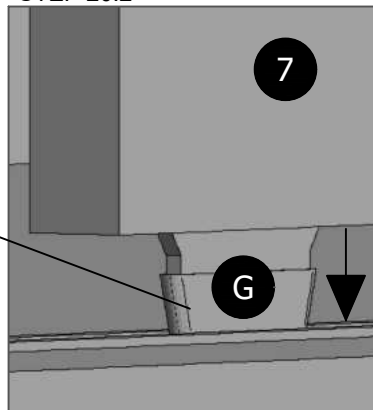
STEP 20.1

SIDE VIEW

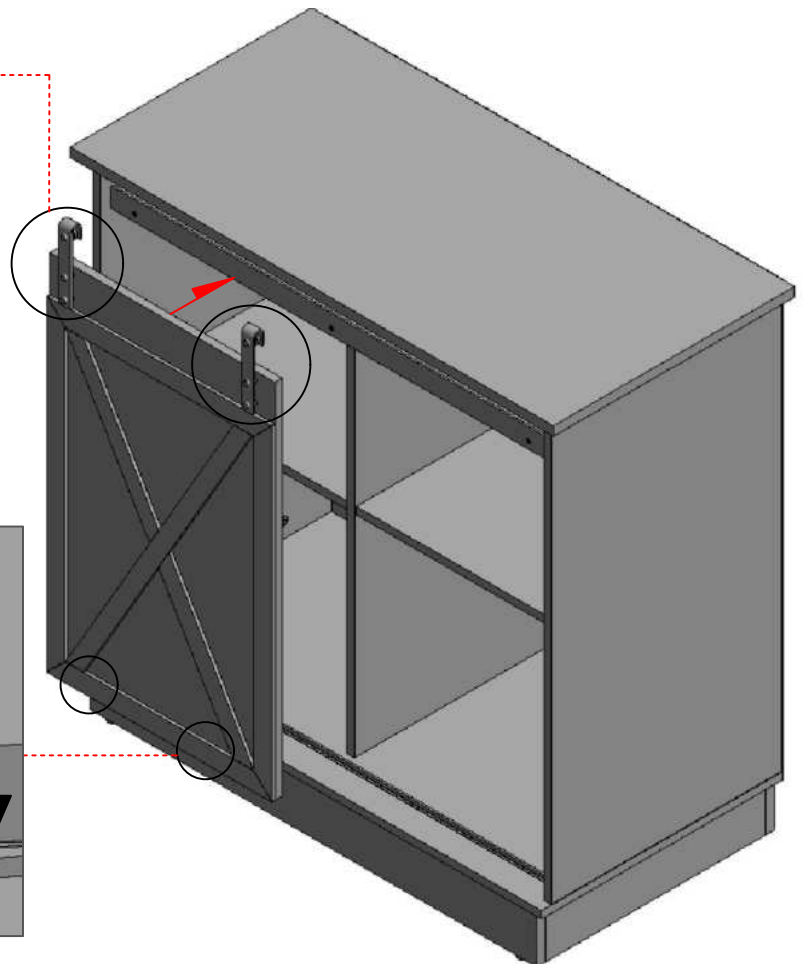


NOTE : - Make sure the middle wheels on roller (E) must enter into the slide on support rail (5)

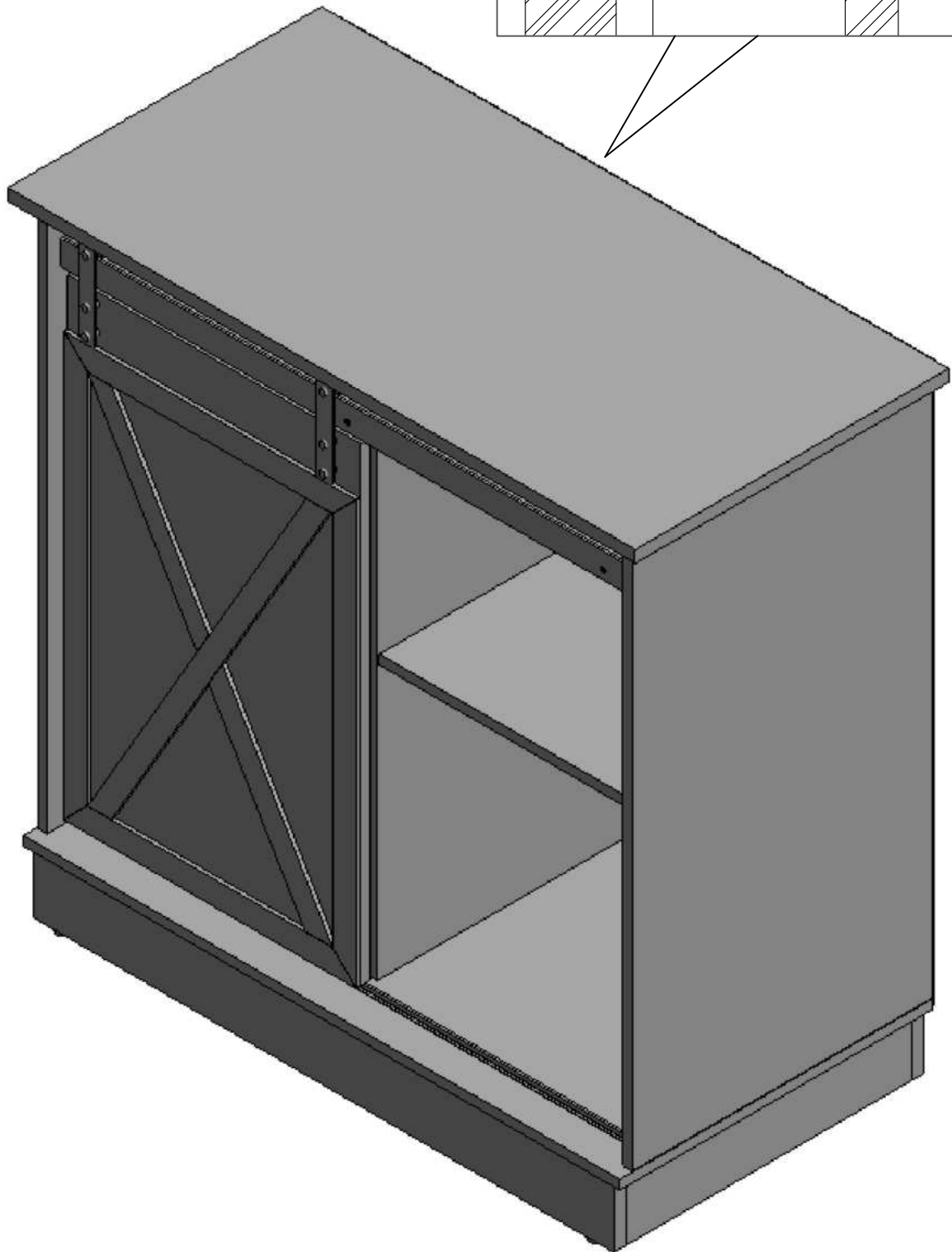
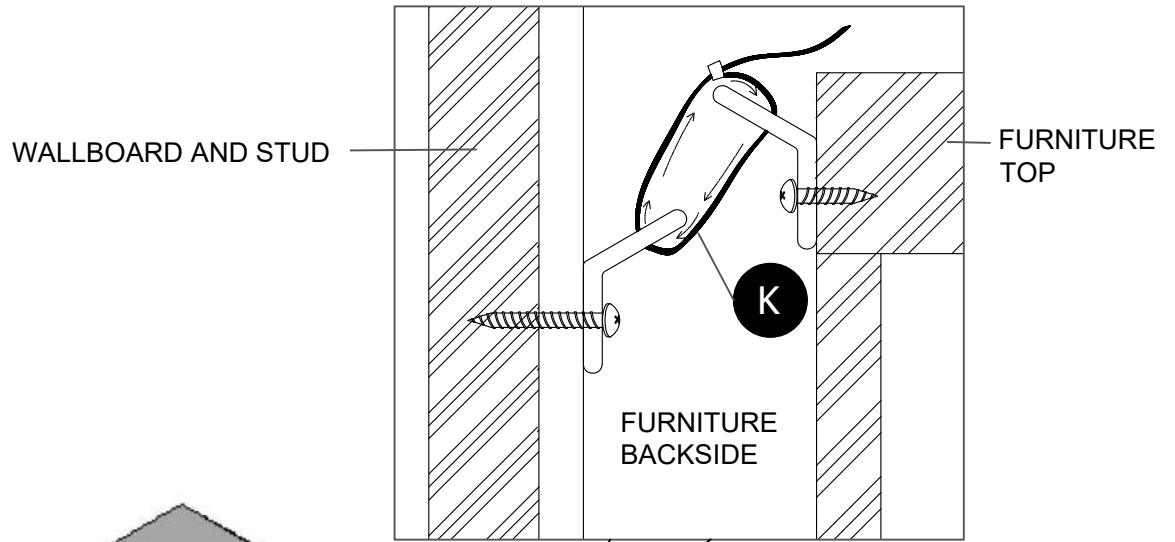
STEP 20.2



NOTE : - Should be tighten the screw when appropriate



STEP 21



ASSEMBLY COMPLETED