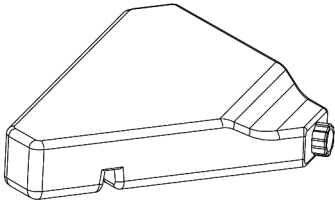
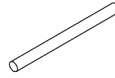


USER'S MANUAL

Umbrella base



AX4

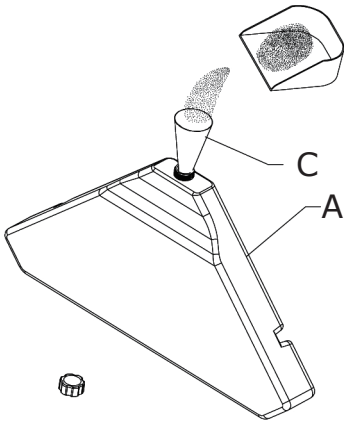


BX4

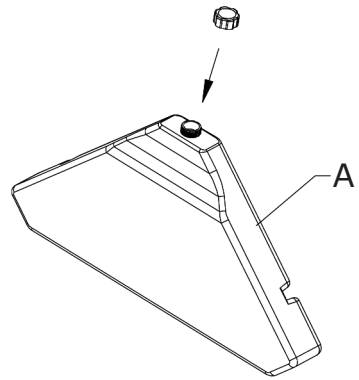


CX1

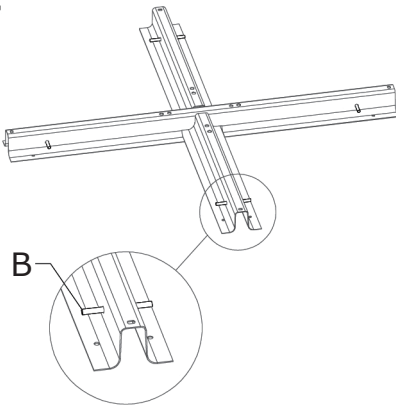
1



2



3



Note: Part B is provided for those whose umbrella's cross base has holes to go through. If your umbrella's cross base does not have holes for Part B, please use our product with ease.

Note: The cross base is not included.

4

