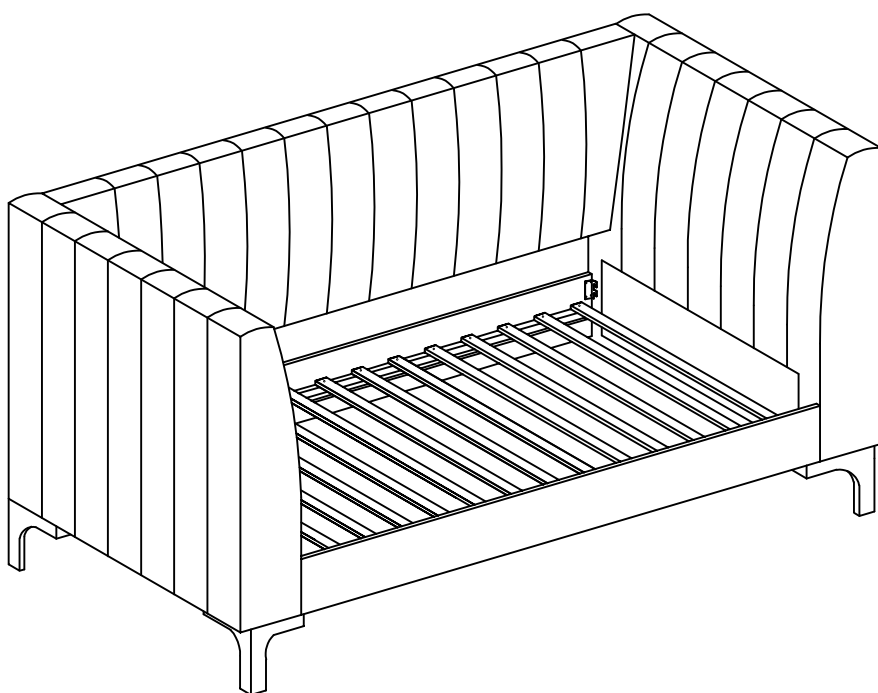


ASSEMBLY INSTRUCTIONS

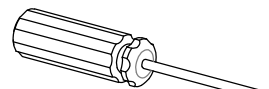


TOOLS REQUIRED



Allen Wrench

(Included)



Phillips Screwdriver

(Not Included)



**2 - People
Recommended**

ASSEMBLY RATING



EASY —————> DIFFICULT

The Assembly Rating is a 5-point system showing the level of effort needed to assemble a specific product.



CHECK BEFORE STARTING

Are you missing anything?

Double-check all parts, hardware and accessories listed are all accounted for.

Check out our Quick Tips!

We recommend reviewing the pre-assembly handouts. Even experts need a refresher now and then!

Should we send any replacements?

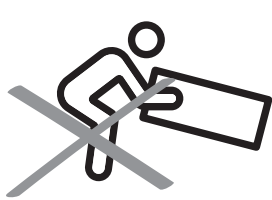
Are there any irregularities or flaws in the parts? We can send replacements!

Prep Time!

Please review the assembly instructions and all diagrams prior to assembling.

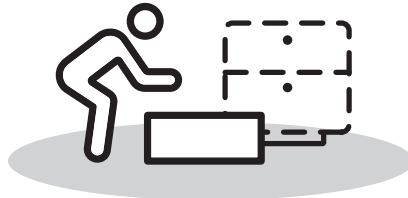
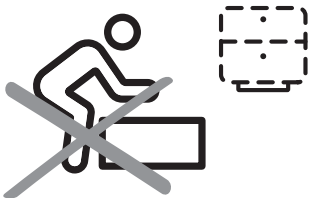
PRE ASSEMBLY INTRODUCTION

We understand building ready-to-assemble furniture can be a challenging experience for some. To help avoid confusion, we have provided some helpful tips that may speed up the process.



Teamwork

ALWAYS have at least two people to help with transporting and assembling the product to avoid potential injury and/or damage.



Suitable Location

Assembling near the area of the intended location is highly recommended.



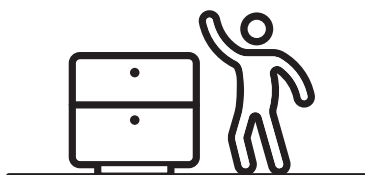
Sufficient Space

Make sure you have enough space to move around during the assembly.



Avoid Scratches

Use cardboard, blankets or a carpeted area while assembling furniture to prevent to prevent scratches and damages.



Flat Surface

Make sure the furniture rests on a flat and level surface with each leg evenly touching the floor.

ASSEMBLY AND CARE ADVICE



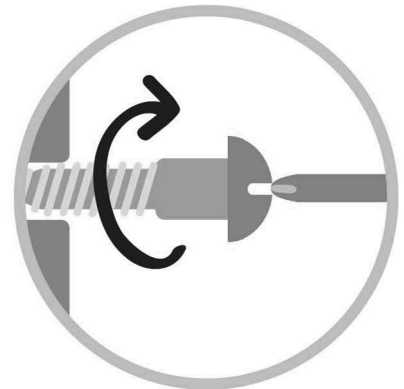
FAILURE TO FOLLOW THE GUIDELINES BELOW MAY RESULT IN INJURY AND/OR PROPERTY DAMAGE.



Position each part correctly and insert screws or bolts into their respective holes.



Use the appropriate hand tools or power tools for assembly. Select steps, such as tightening screws and/or bolts, may require hand tools to avoid causing damage during assembly.



Turn clockwise to tighten and only tighten when step is completed or when instructed to do so.



Save the instructions and store any supplied tools for later maintenance.



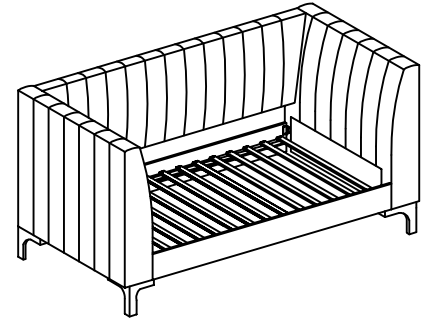
After two weeks, check and tighten any loose hardware and repeat again every six months thereafter.

IT IS THE USER'S RESPONSIBILITY TO MAINTAIN THE FURNITURE. THE HARDWARE MAY LOOSEN OVER TIME AND MAY CAUSE THE FURNITURE TO BE WOBBLY AND UNABLE TO SUPPORT ITS INTENDED WEIGHT CAPACITY. THIS MAY LEAD TO COLLAPSE AND MAY CAUSE SERIOUS INJURY.

DAYBED

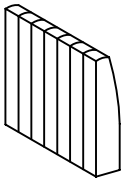


- Please keep instructions for future reference.
- Check the quantity and irregularity of parts and hardware before you start.



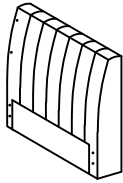
PARTS

#1 x 1pc



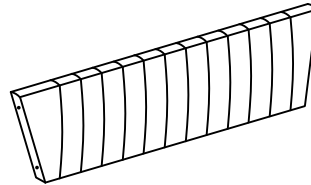
Arm

#2 x 1pc



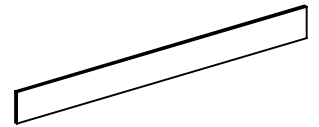
Arm

#3 x 1pc



Back Rest

#4 x 1pc



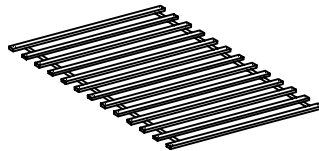
Front Side Rail

#5 x 1pc



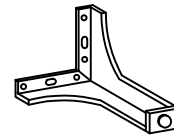
Back Side Rail

#6 x 13pcs



Bed Slat
997 x 45 x 18mm

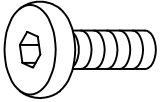
#7 x 4pcs



Legs

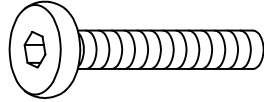
HARDWARE

#A x 8pcs



JCBB M8x20mm

#B x 4pcs



JCBC M6x50mm

#C x 1pc



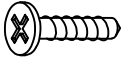
Allen Wrench
M4 x 65mm

#D x 1pc



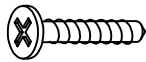
Allen Wrench
M5 x 70mm

#E x 16pcs



CSK Screw 25mm

#F x 26pcs



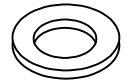
CSK Screw 32mm

#G x 4pcs

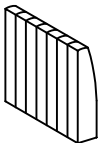
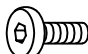
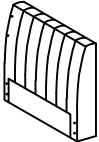
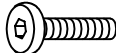
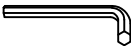

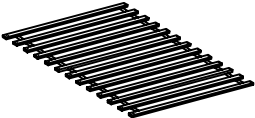
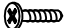
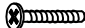
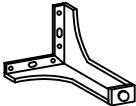


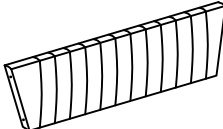




M6 Spring Washer

#H x 20pcs



M6 Flat Washer

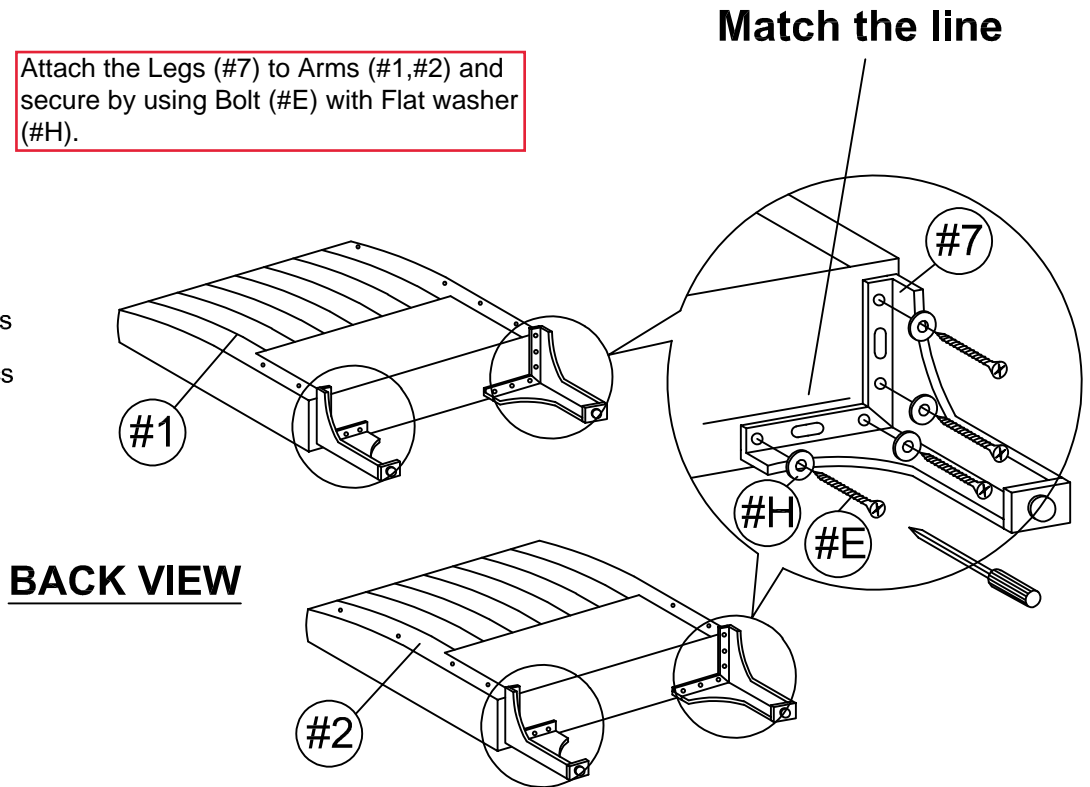
Designation	Part		Hardware
Arm	#1		 #A x 8pcs
Arm	#2		 #B x 4pcs  #C x 1pc  #D x 1pc
Bed Slat	#6		 #E x 25pcs  #F x 26pcs
Legs	#7		 #G x 4pcs  #H x 20pcs
Back Rest	#3		
Front Side Rail	#4		
Back Side Rail	#5		

ASSEMBLY INSTRUCTIONS

1

- Part (#1) x1pc
- Part (#2) x1pc
- Part (#7) x4pcs
- Hardware (#E) x16pcs
- Hardware (#H) x16pcs

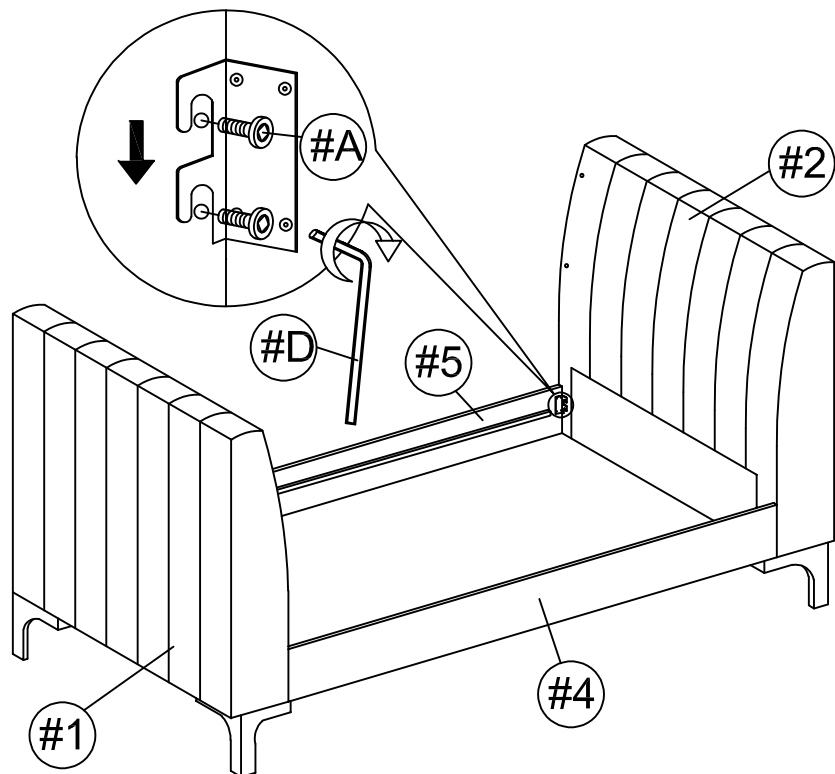
Attach the Legs (#7) to Arms (#1,#2) and secure by using Bolt (#E) with Flat washer (#H).



2

- Part (#4) x1pc
- Part (#5) x1pc
- Hardware (#A) x8pcs
- Hardware (#D) x1pc

Align the Back side rail (#5) in between the Arms (#1,#2) and secure by using Bolts (#A). Align the Front Side rail (#4) in between the Arms (#1,#2) and secure using Bolts (#A).



ASSEMBLY INSTRUCTIONS

3

Align the Backrest (#3) in between the Arms (#1,#2) and secure by using Bolts (#B) with Spring Washer (#G) and Flat washer (#H).

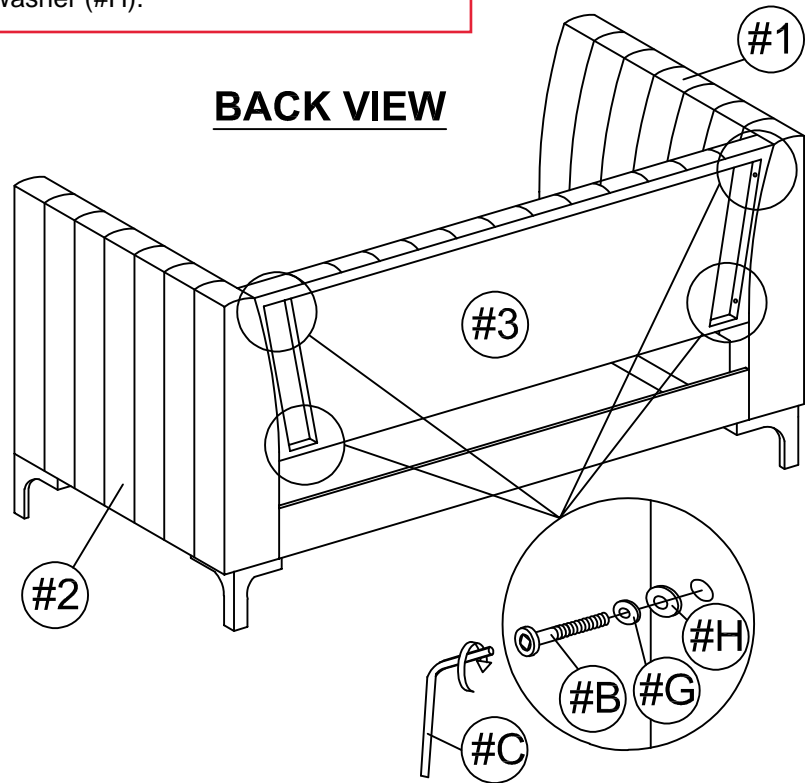
Part (#3) x1pc

Hardware (#B) x4pcs

Hardware (#C) x1pc

Hardware (#G) x4pcs

Hardware (#H) x4pcs

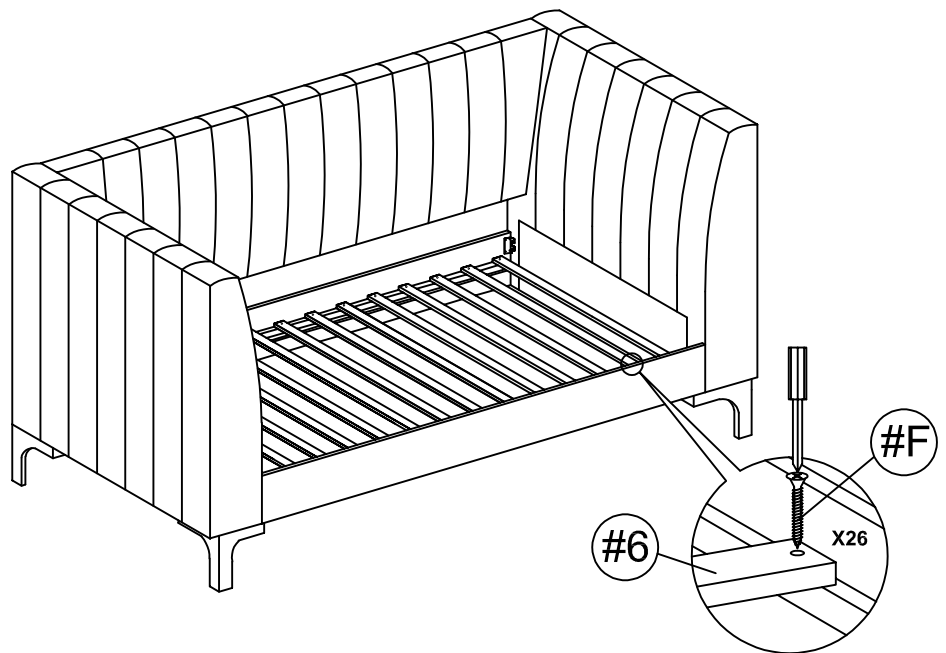


4

Spread the Bed Slats over the Side rails (#4,#5) and secure by using Screw (#F).

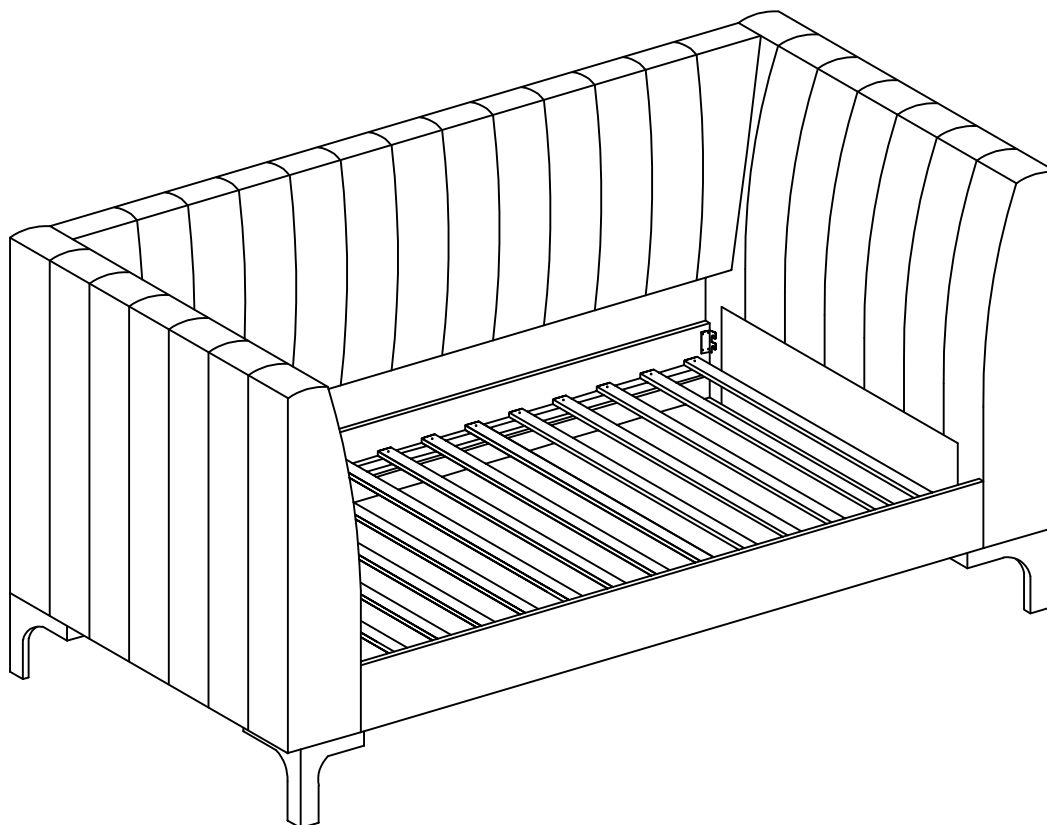
Part (#6) x13pcs

Hardware (#F) x26pcs



ASSEMBLY INSTRUCTIONS

5



ASSEMBLY COMPLETED



Please ensure the furniture rests on an even and flat surface. If the product wobbles or feels loose, double-check all bolts and/or screws are properly tightened and secured.

✓ **Keep this handy!**

Please retain this instruction manual and any order-related information for future reference.

✓ **Lift, don't drag!**

To avoid damage to product please always LIFT the product when transporting or adjusting the placement.