

User's Manual

— HALL TREE —

The picture is reference, the actual product shall prevail



SAFETY WARNINGS

1.WARNING: HEAVY PARTS!

Lift with care. Use two people to move large panels. Dropping parts may cause injury or damage floors.

2.WARNING: USE CORRECT TOOLS ONLY!

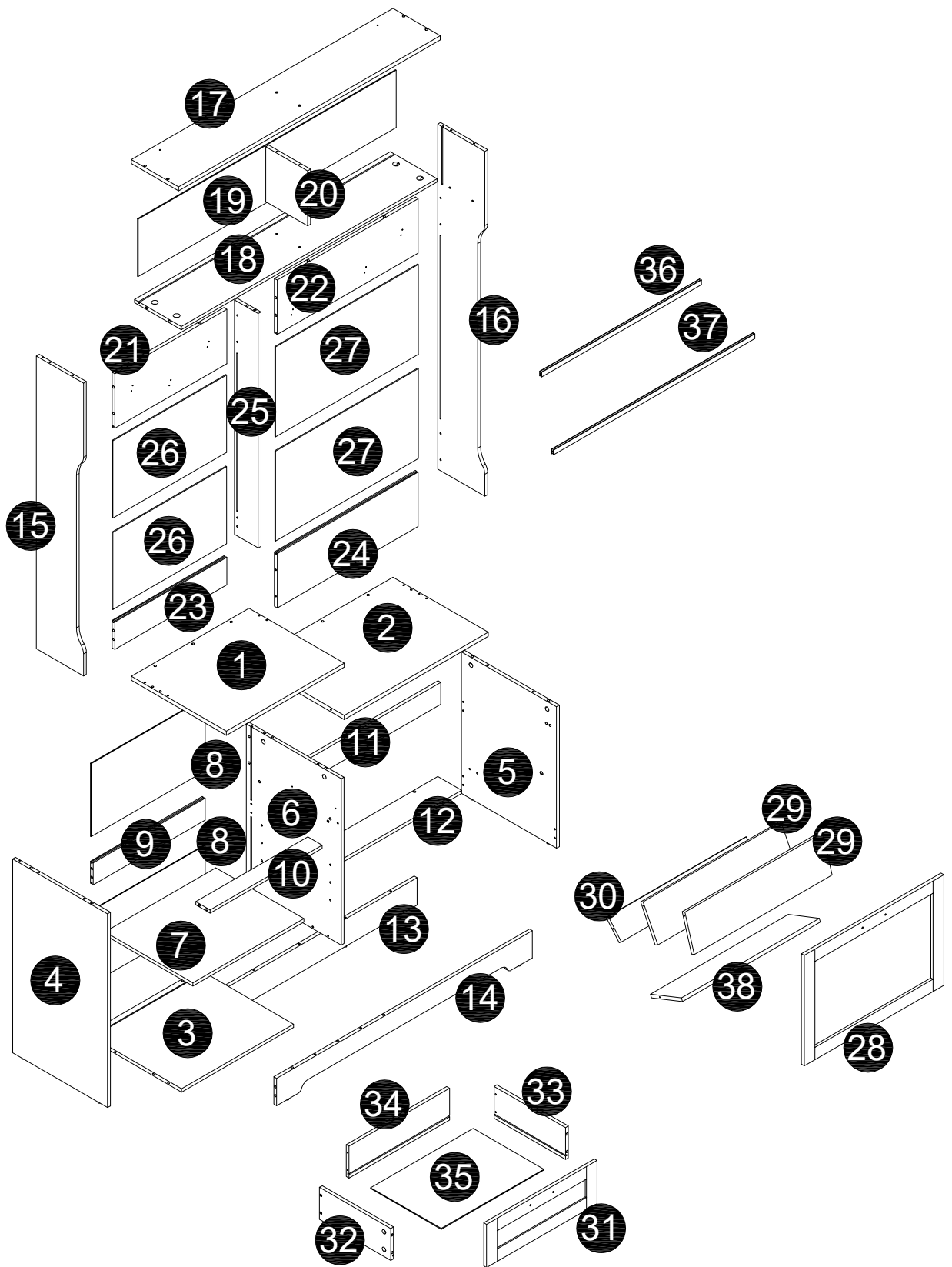
Assemble with provided tools. Do NOT use power drills/ excessive force. Forcing parts may crack wood or strip hardware.

3.CAUTION: PROTECT SURFACES!

Assemble on soft, flat flooring (e.g., carpet/blanket). Avoid dragging panels to prevent scratches.

4.WARNING: FOLLOW STEPS EXACTLY!

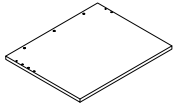
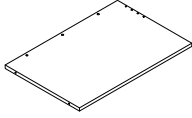
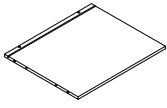
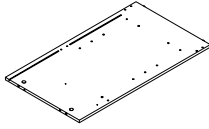
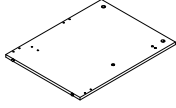
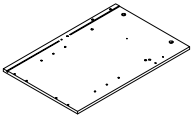
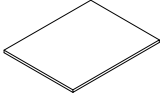
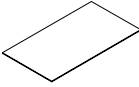


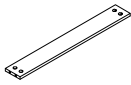
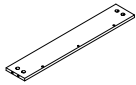
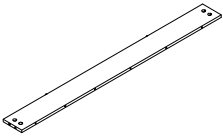
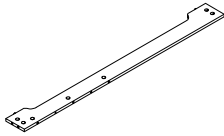
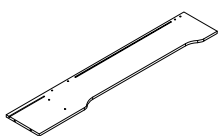
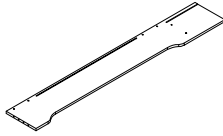
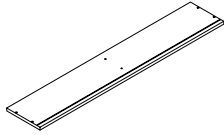
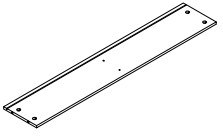
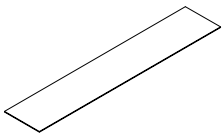
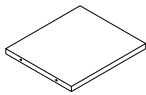
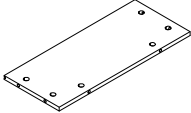
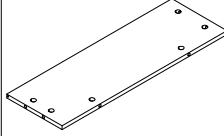
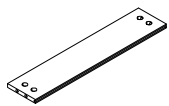
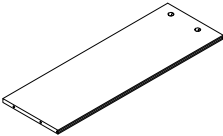
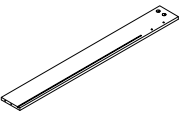
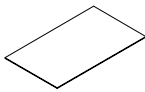
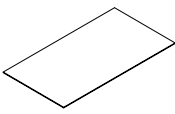
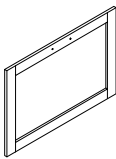
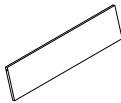
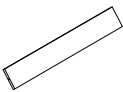
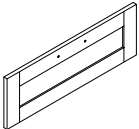
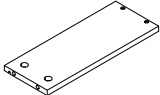
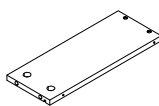
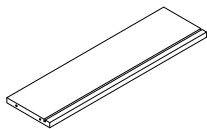
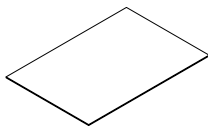

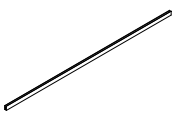
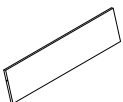
Read ALL instructions first. Skipping steps or incorrect assembly may cause instability, leading to tip-over hazards.



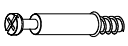
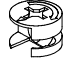





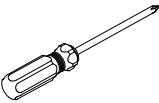
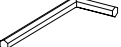
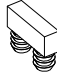






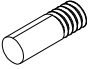


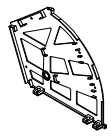

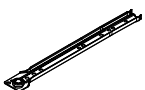

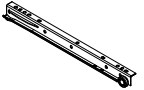
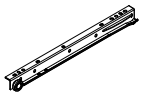

! WARNING:

1. Before beginning assembly, please ensure that you have all the required parts if anything is missing, please contact us for assistance instead of immediately initiating a return. We are here to help.
2. Please put on gloves to avoid chafing.

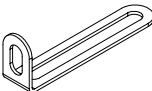
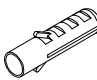

HARDWARE LIST

1 1PC 	2 1PC 	3 1PC 	4 1PC 	5 1PC 	6 1PC 
7 1PC 	8 2PCS 	9 1PC 	10 1PC 	11 1PC 	12 1PC 
13 1PC 	14 1PC 	15 1PC 	16 1PC 	17 1PC 	18 1PC 
19 1PC 	20 1PC 	21 1PC 	22 1PC 	23 1PC 	24 1PC 
25 1PC 	26 2PCS 	27 2PCS 	28 1PC 	29 2PCS 	30 1PC 
31 1PC 	32 1PC 	33 1PC 	34 1PC 	35 1PC 	36 1PC 
37 1PC 	38 1PC 				

HARDWARE LIST

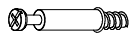
A	61PCS	B	61PCS	C	20PCS	D	18PCS	E	20PCS	F	16PCS
											
Ø6x35mm		Ø15x10mm		Ø6x30mm		Ø6x38mm		Ø3.5x12mm		Ø4x35mm	
G	7PCS	H	1PC	I	1PC	J	2PCS	K	2PCS	L	2PCS
											
				M4		26*16*9mm		M6x18mm		103*15*7mm	
M	4PCS	N	28PCS	O	2PCS	P	2PCS	Q	4PCS	R	10PCS
											
Ø4x18mm				Ø19x1mm		Ø14x9mm				Ø3.5x14mm	
S	1PC	T	1PC	U	8PCS	CL	1PC	CR	1PC	DL	1PC
											
				Ø3x12mm		L300mm		L300mm		L300mm	
DR	1PC	Z	4PCS								
											
L300mm											

ANTI-OVERTURN HARDWARE BAG

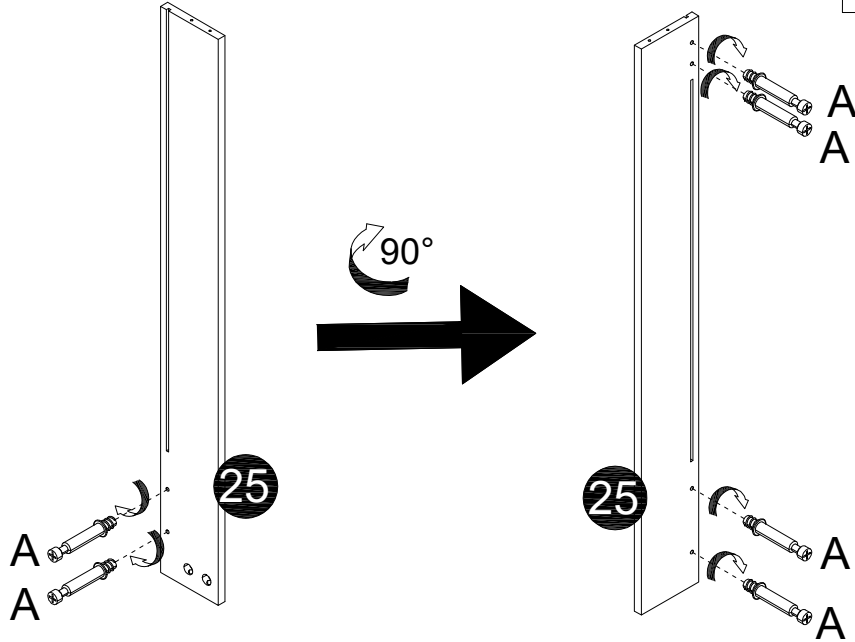
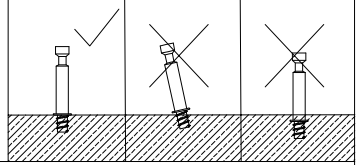
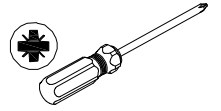
V	2PCS	W	2PCS	X	2PCS
					
/		/		Ø4x40mm	

STEP1

Ax6



Ø6*35mm



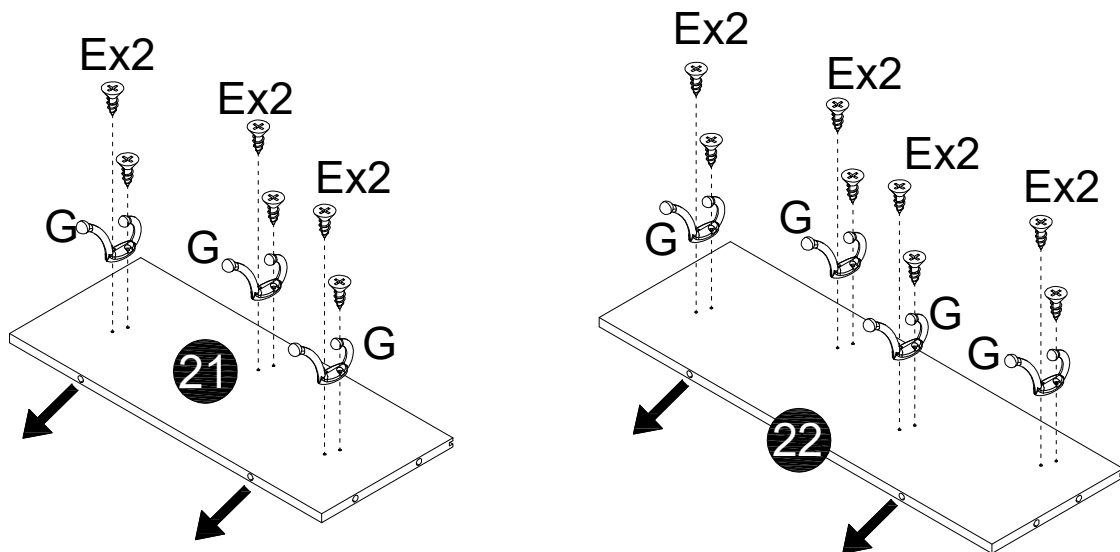
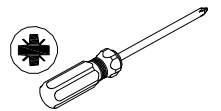
STEP2

Ex14



Ø3.5x12mm

Gx7



Note: Hole orientation.

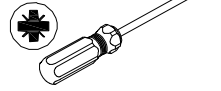
Note: Hole orientation.

STEP3

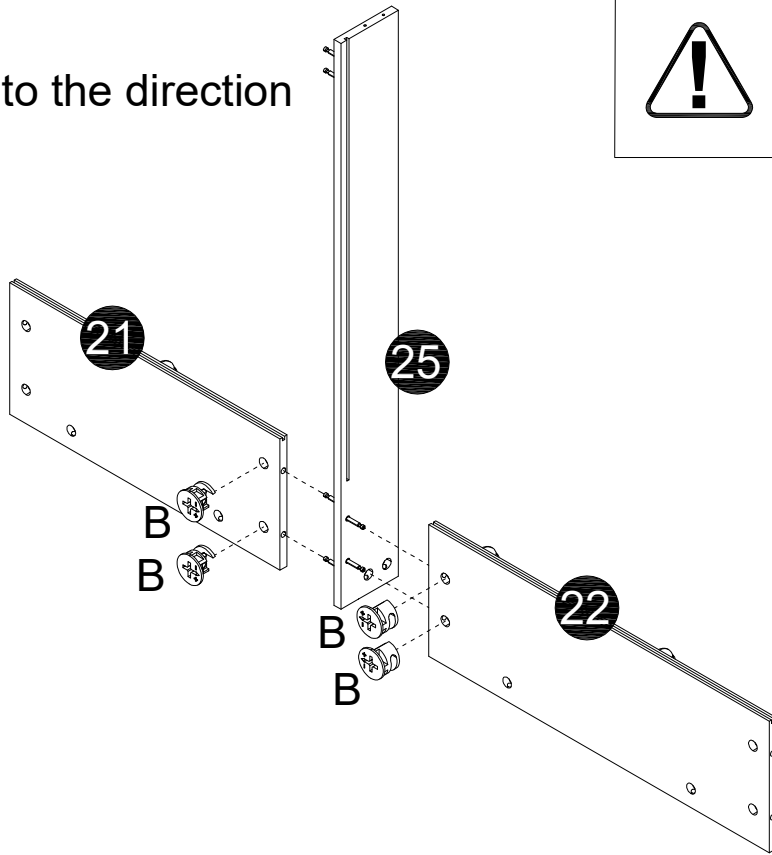
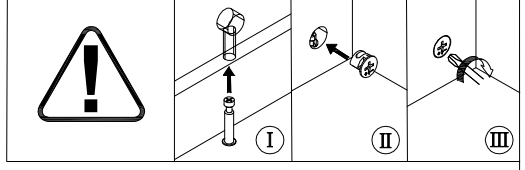
Bx4



Ø15x10mm

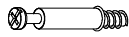


Pay attention to the direction of the board.

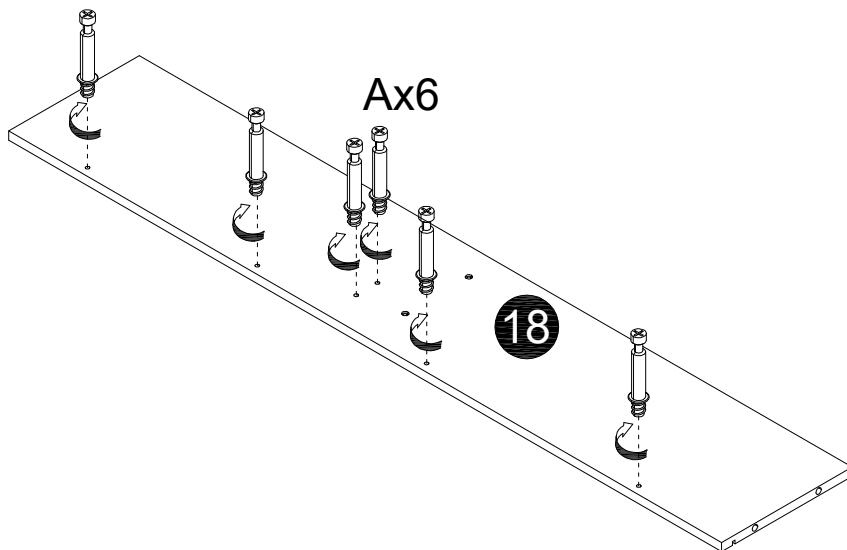
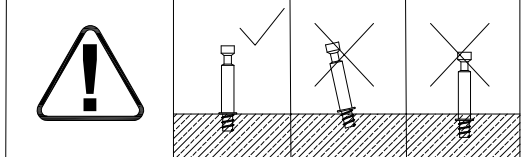
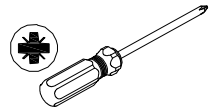


STEP4

Ax6



Ø6*35mm

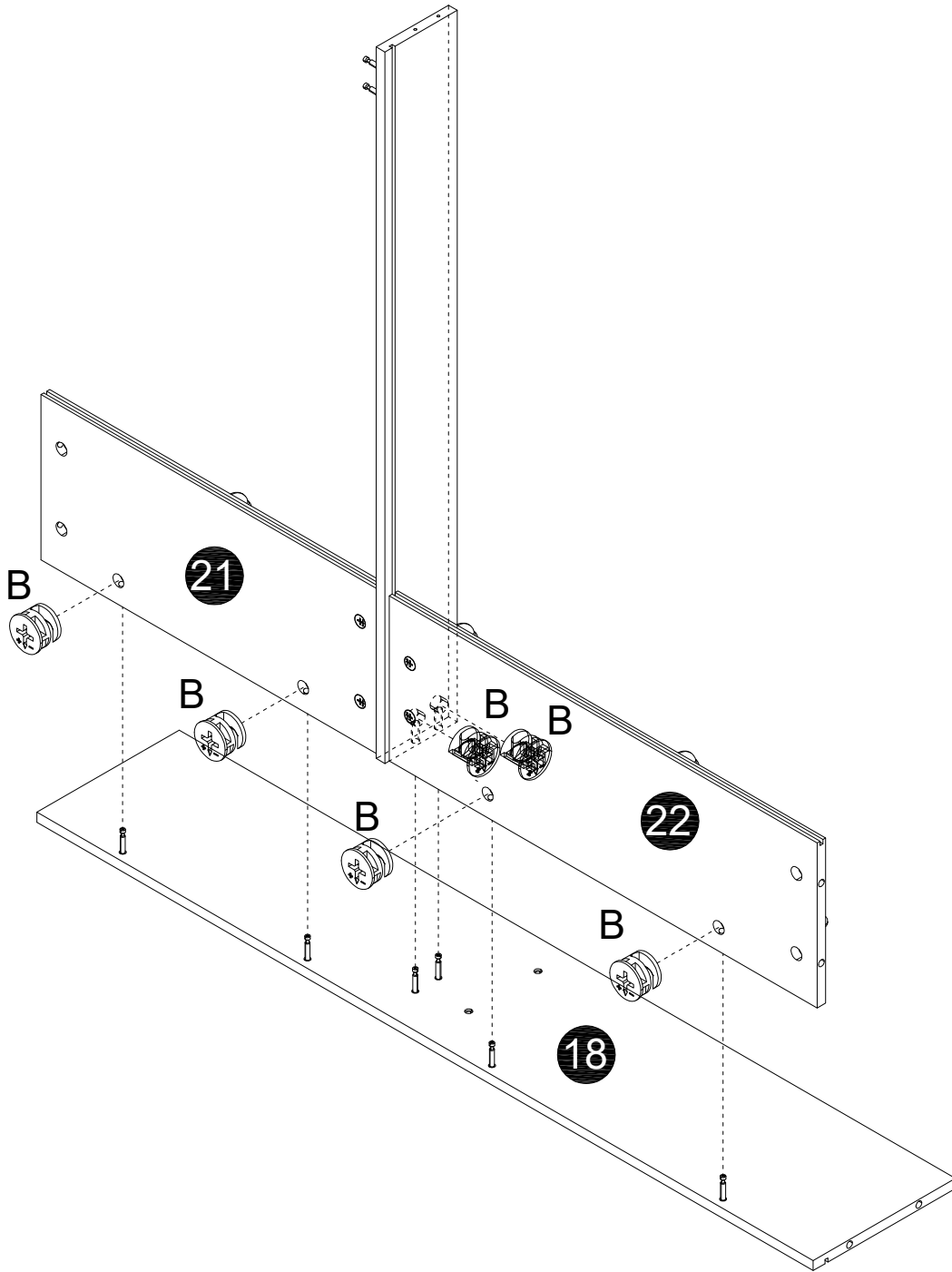
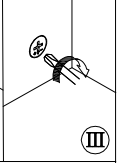
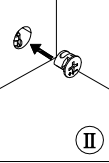
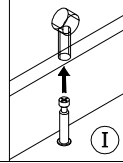
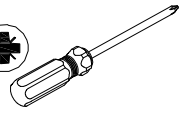


STEP5

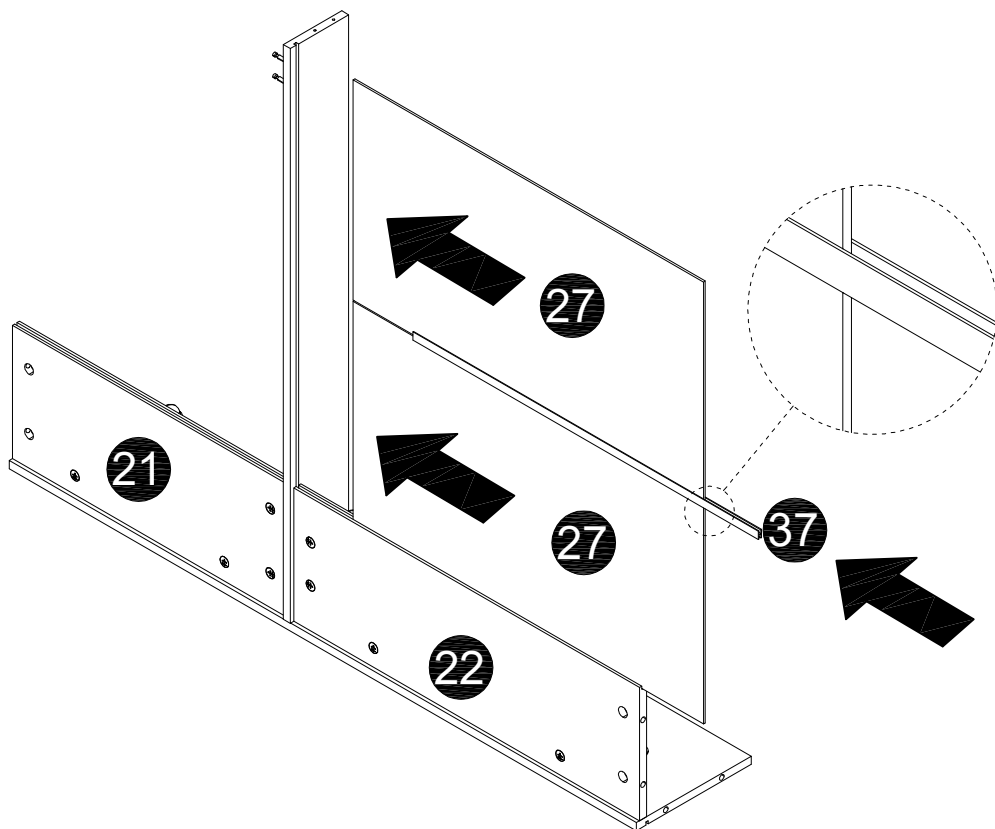
Bx6



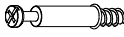
Ø15x10mm

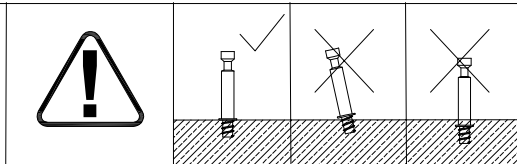
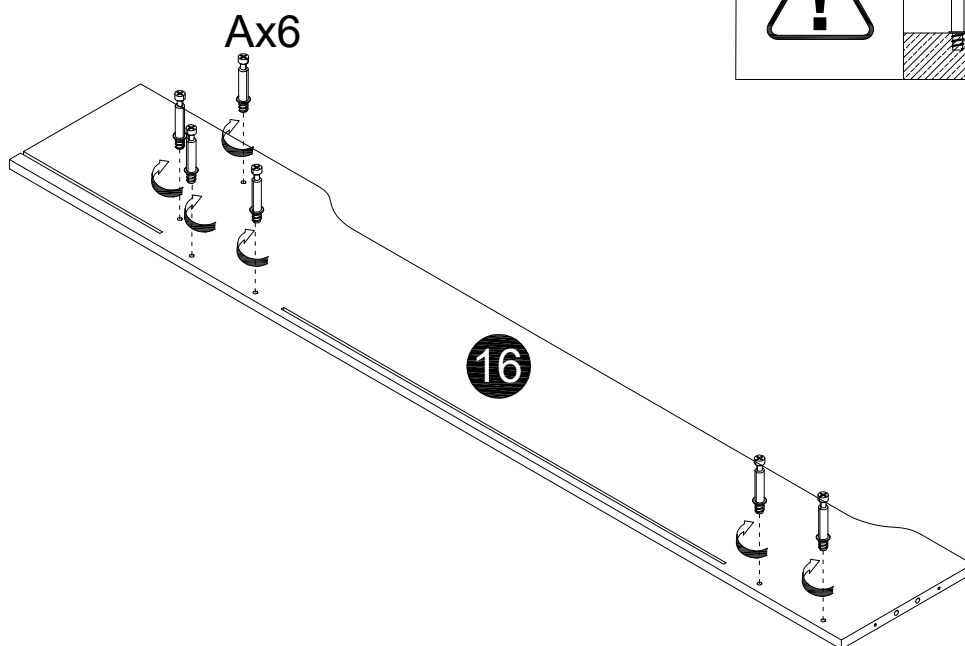
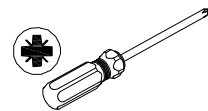


STEP 6



STEP 7

Ax6

Ø6*35mm



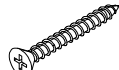
STEP8

Bx6

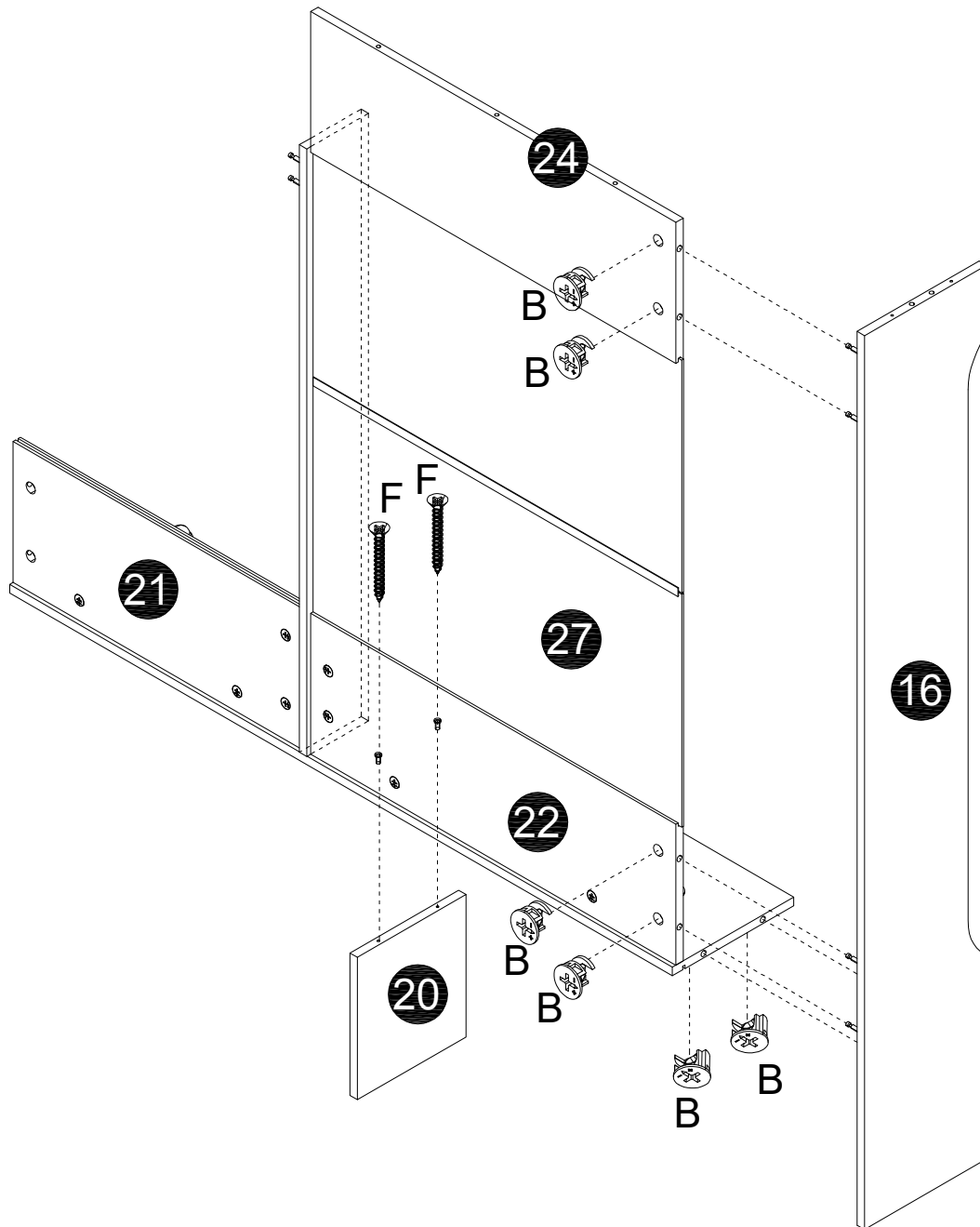
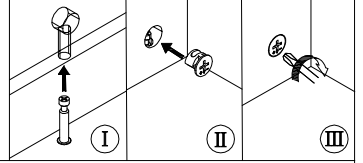
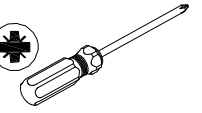


Ø15x10mm

Fx2



Ø4x35mm

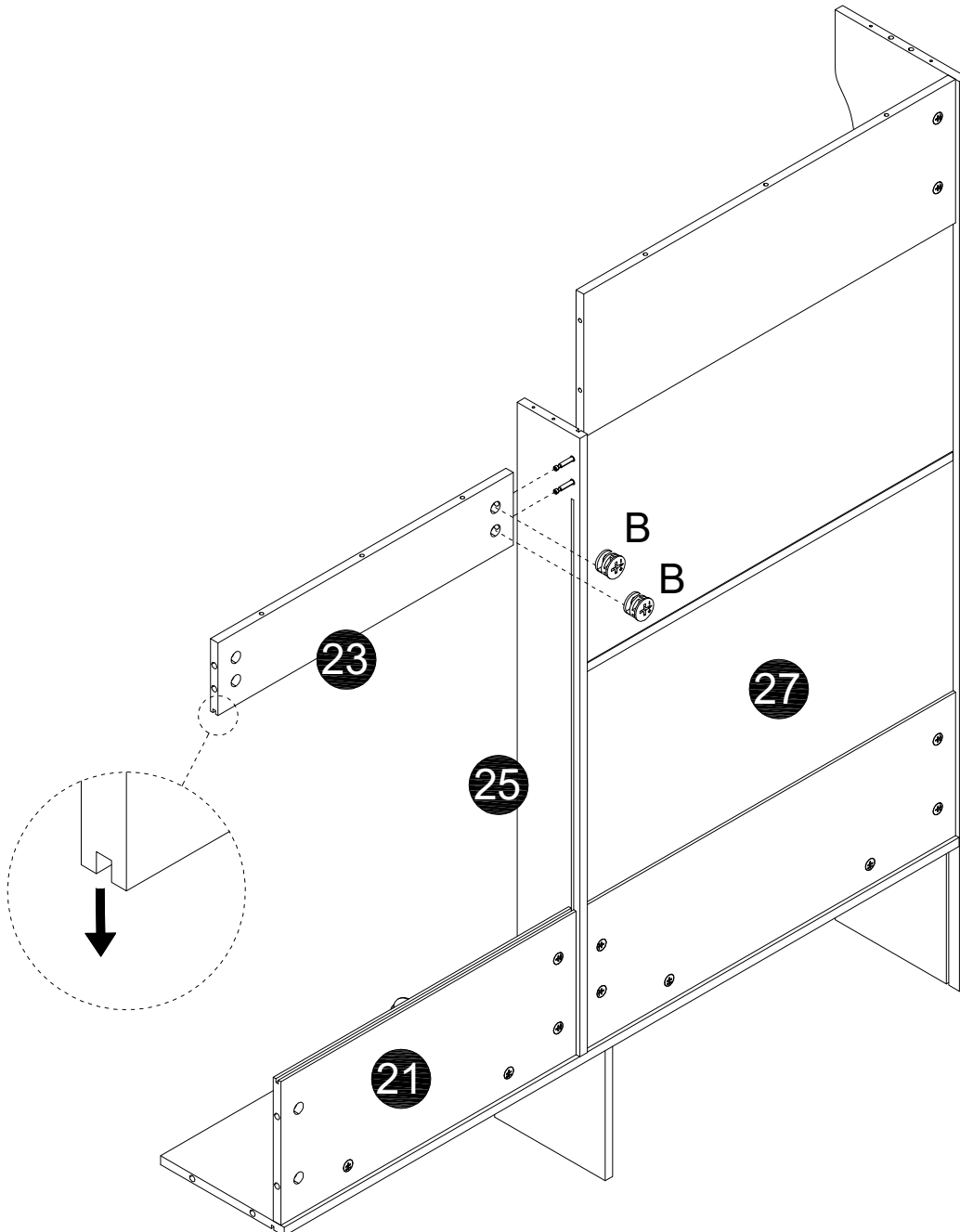
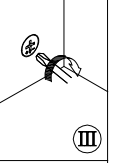
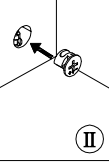
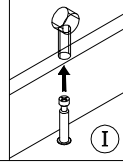
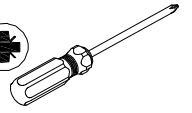


STEP9

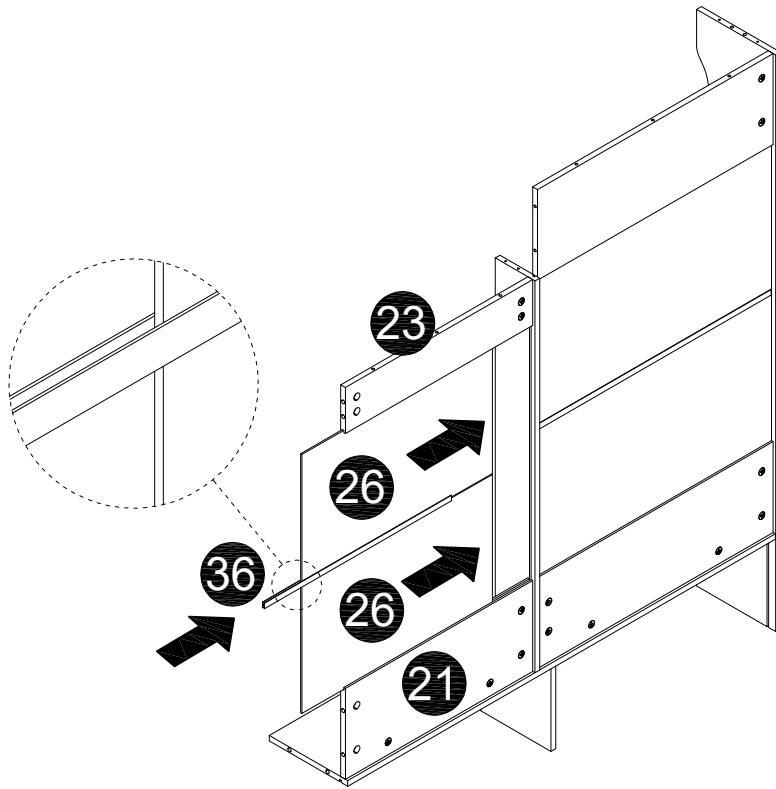
Bx2



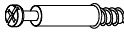
Ø15x10mm

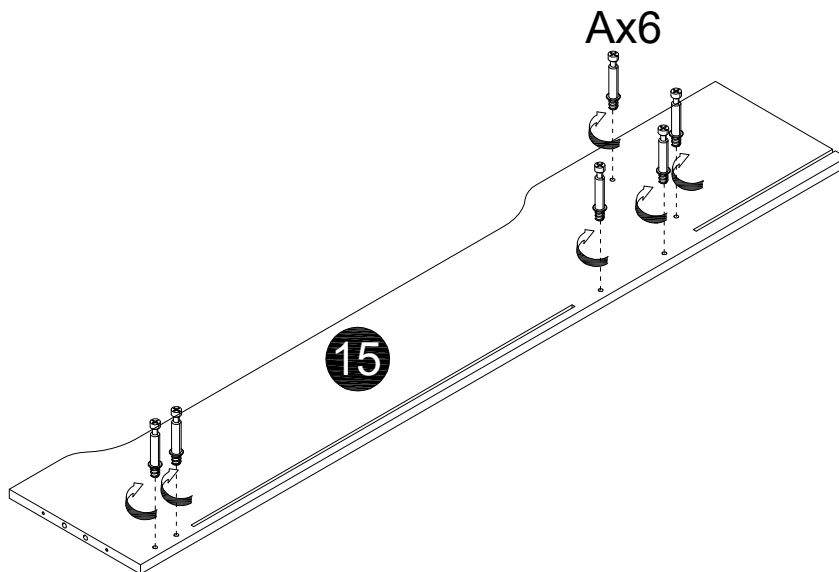
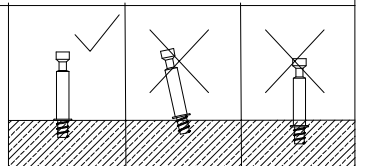
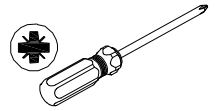


STEP10



STEP11

Ax6

Ø6*35mm

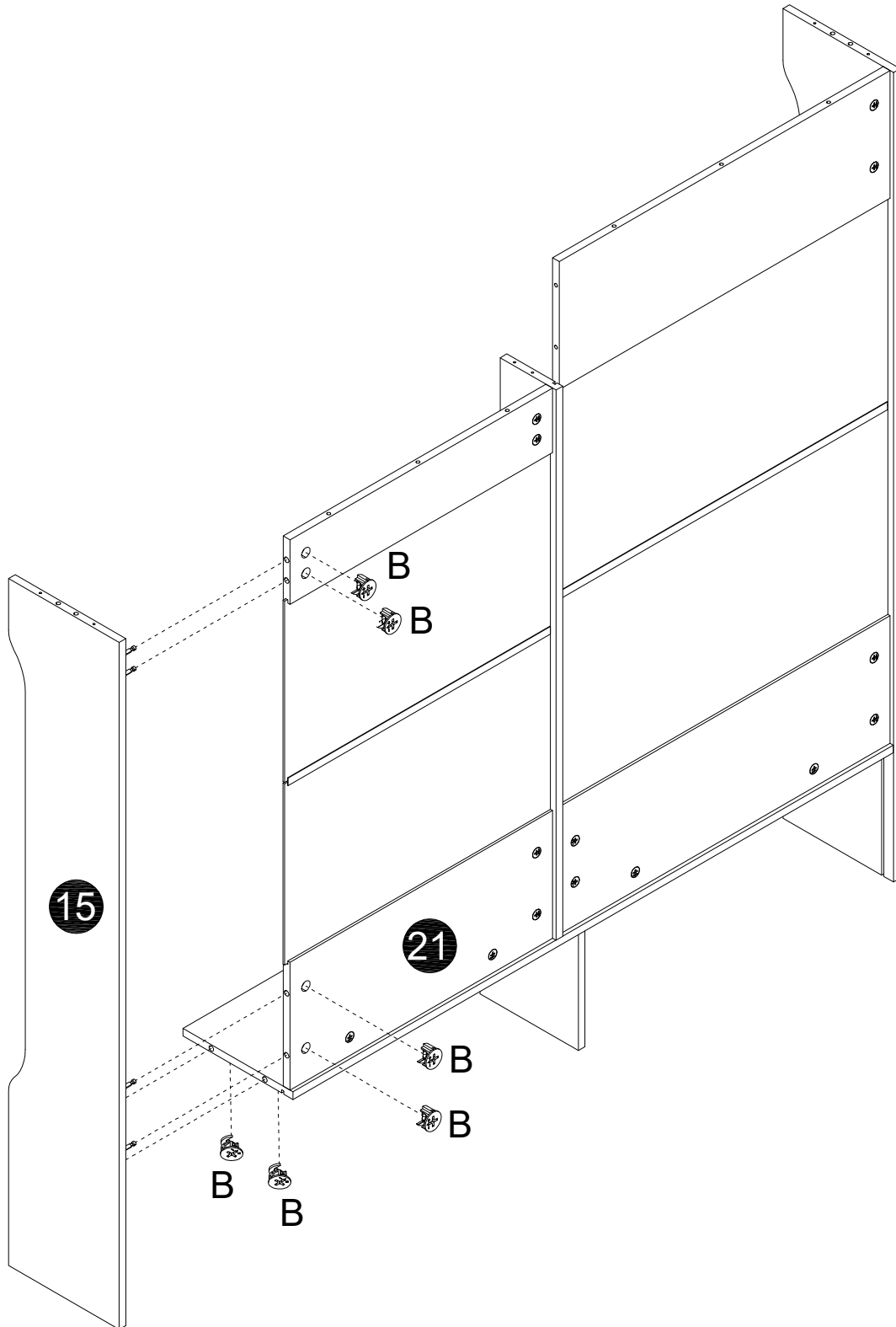
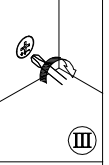
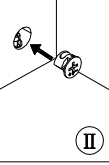
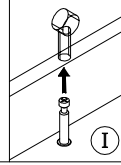
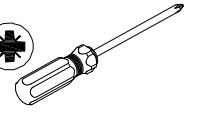


STEP12

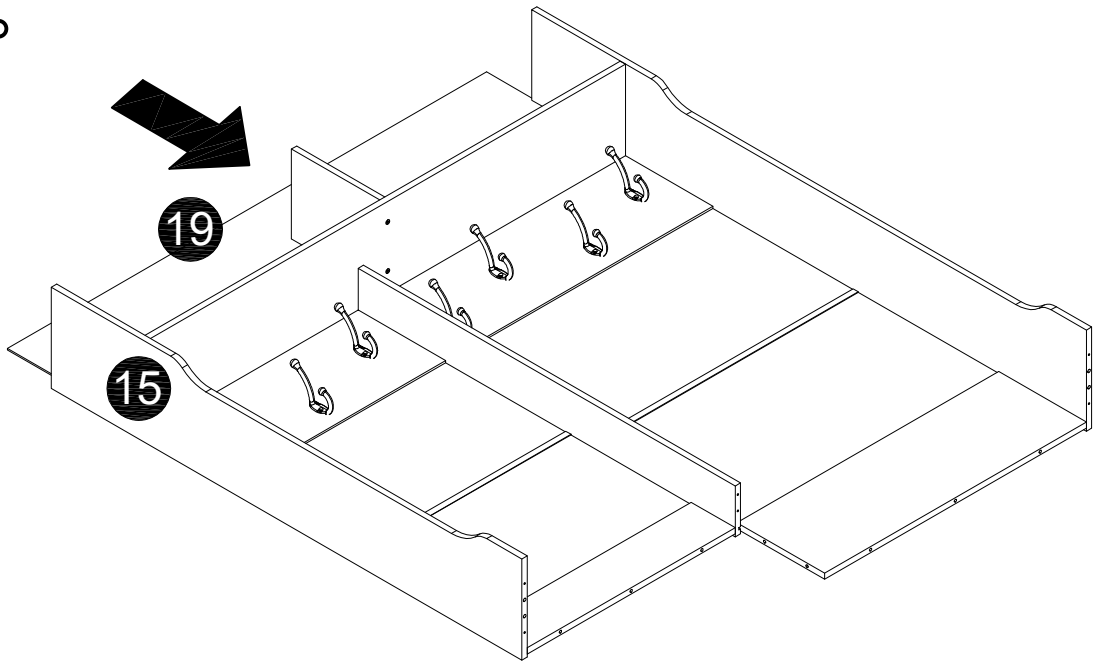
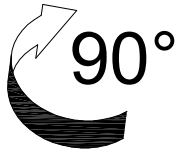
Bx6



Ø15x10mm



STEP13



STEP14

Dx4

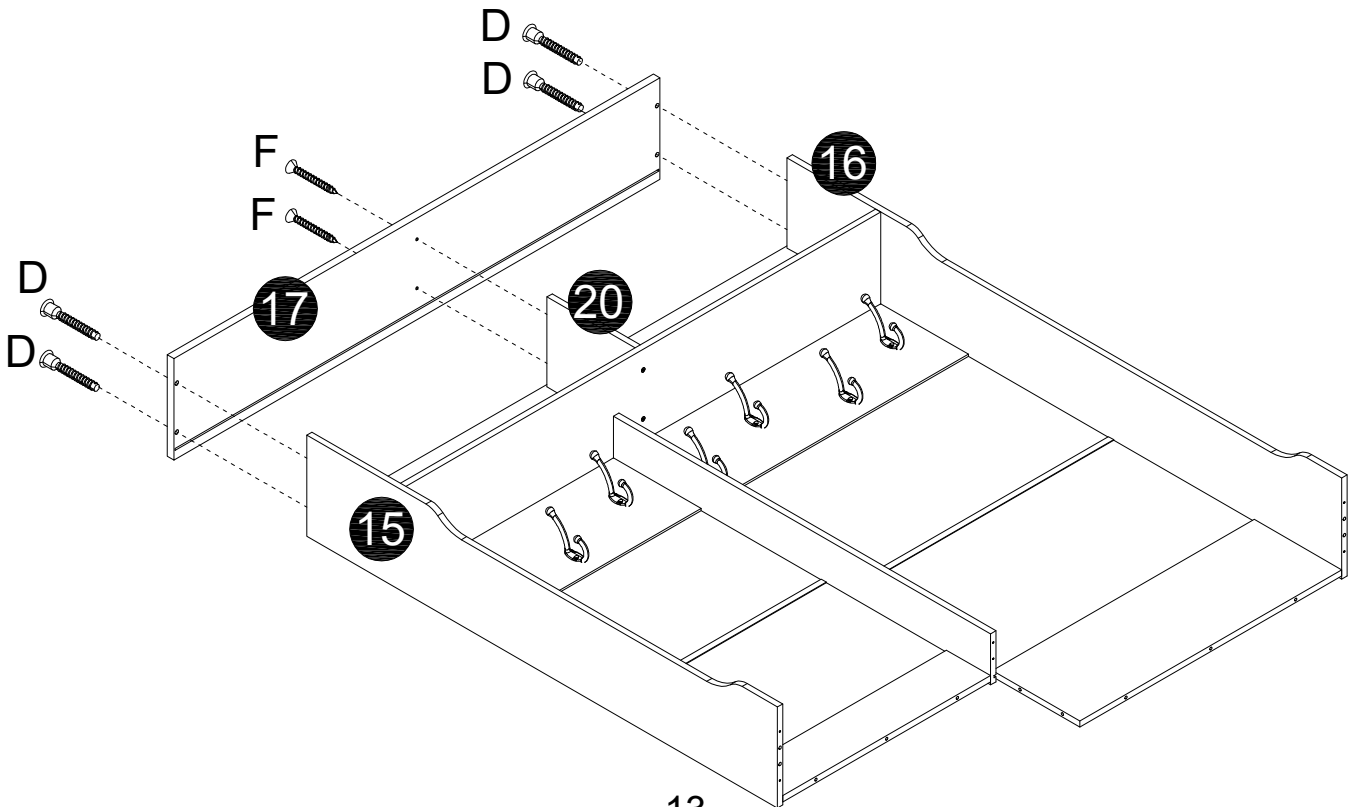
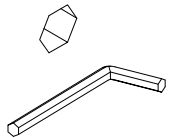


Ø6x38mm

Fx2



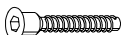
Ø4x35mm




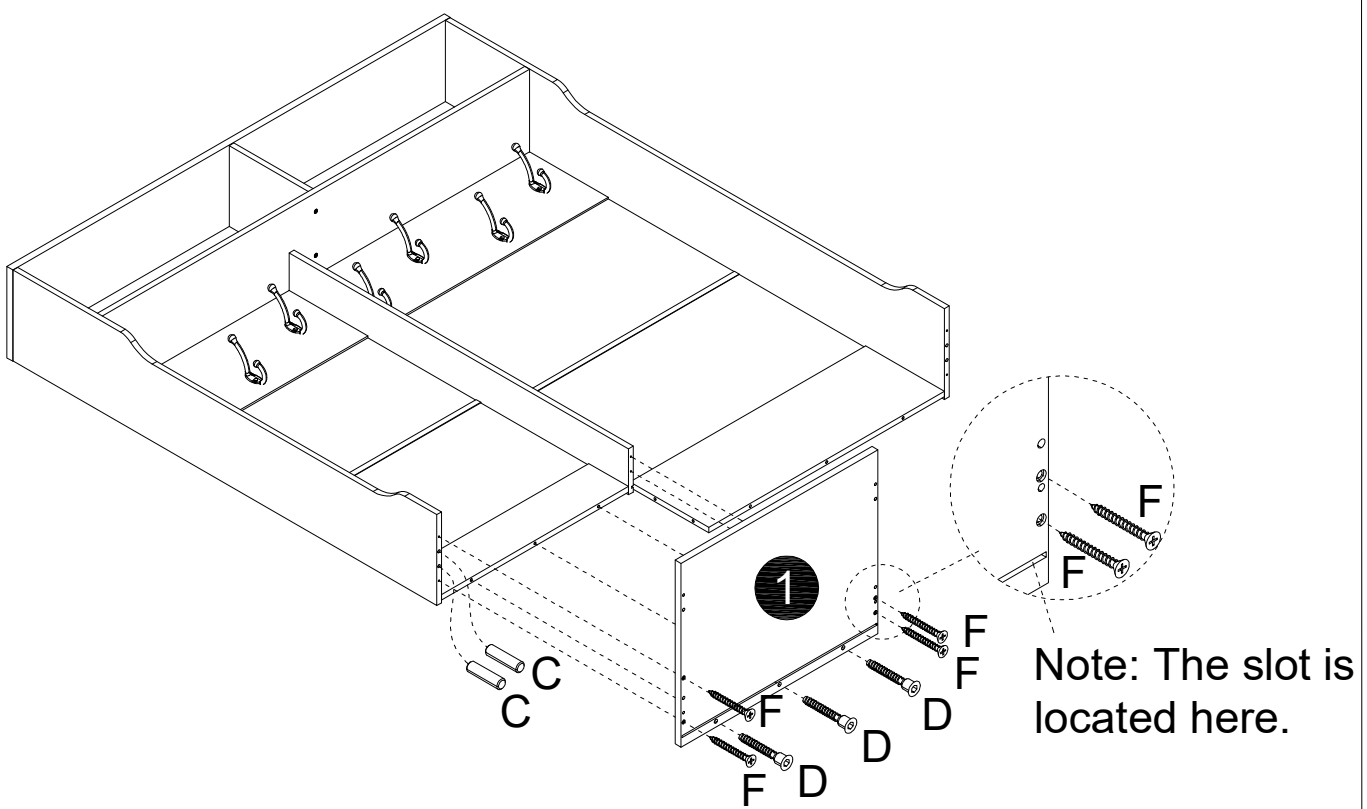
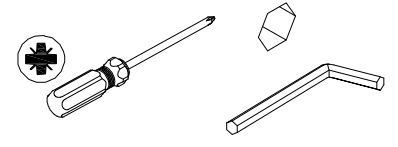
STEP15

Cx2


 Ø6x30mm


Dx3

 Ø6x38mm


Fx4

 Ø4x35mm

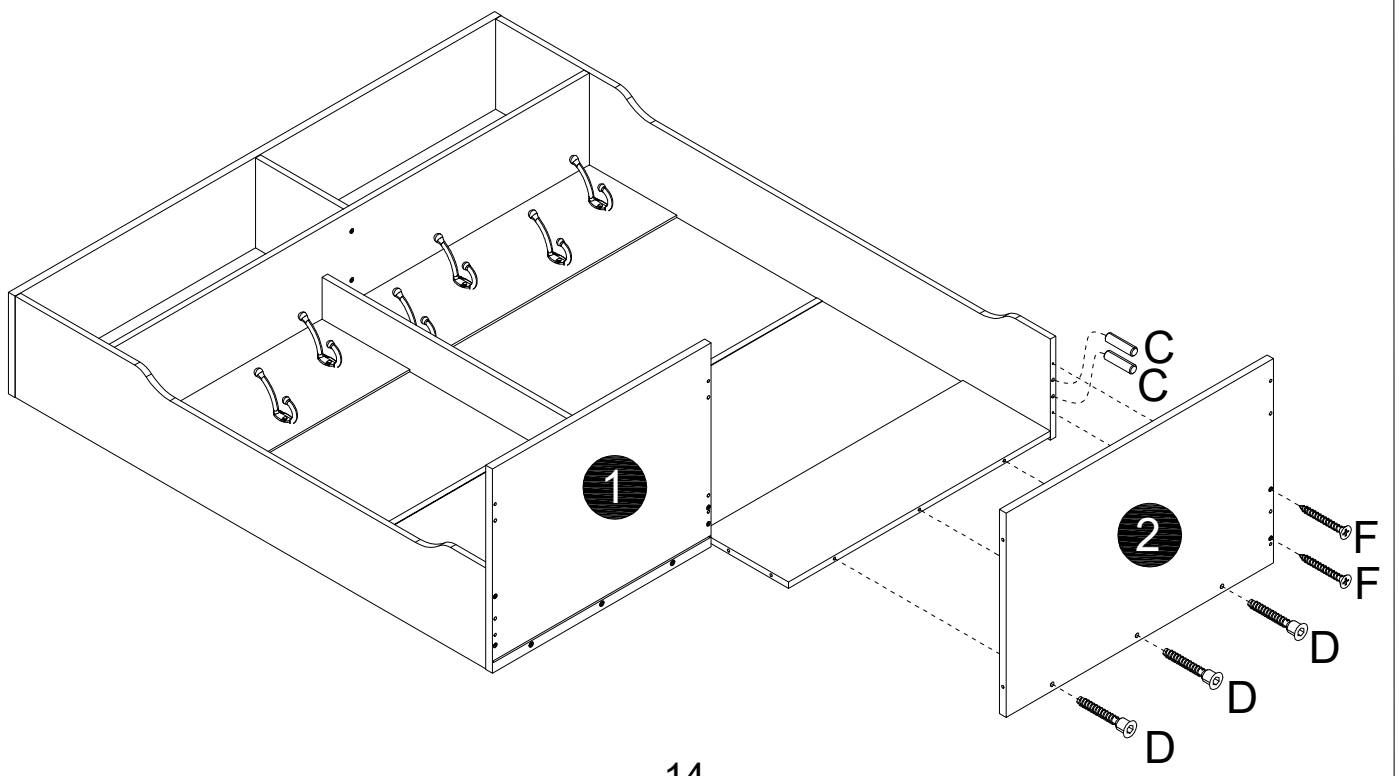
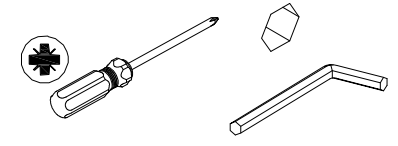


STEP16

Cx2

 Ø6x30mm

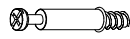
Dx3

 Ø6x38mm

Fx2

 Ø4x35mm

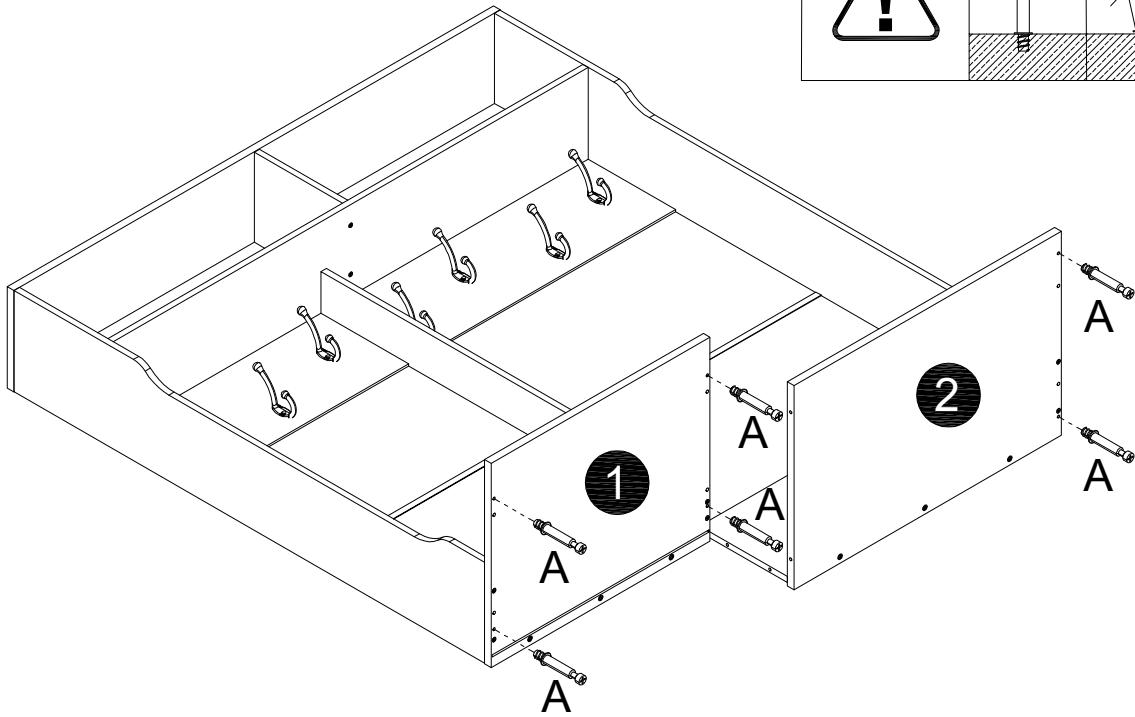
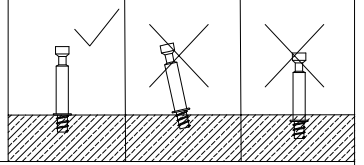
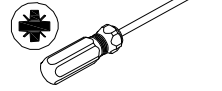


STEP17

Ax6



Ø6*35mm



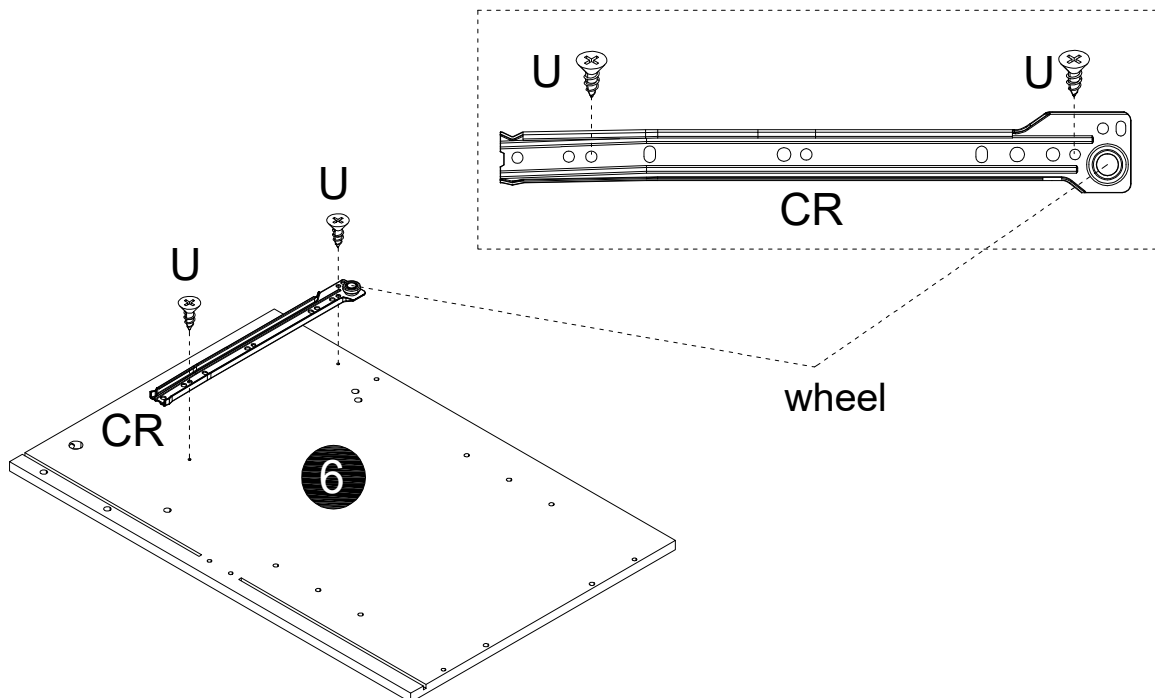
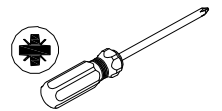
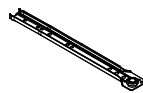
STEP18

Ux2



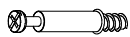
Ø3*12mm

CRx1

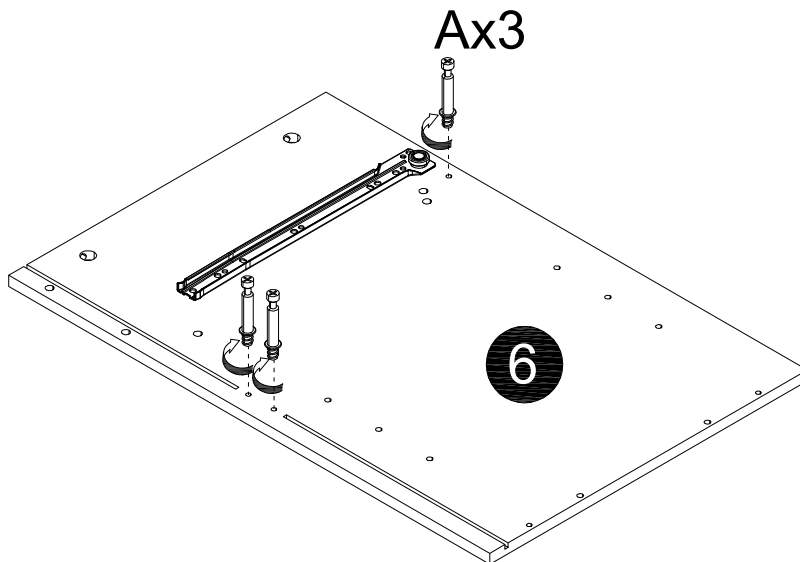
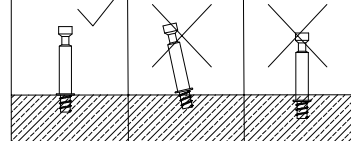
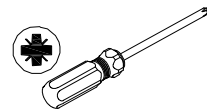


STEP19

Ax3



Ø6*35mm



STEP20

Cx2

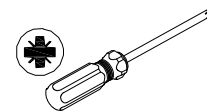


Ø6x30mm

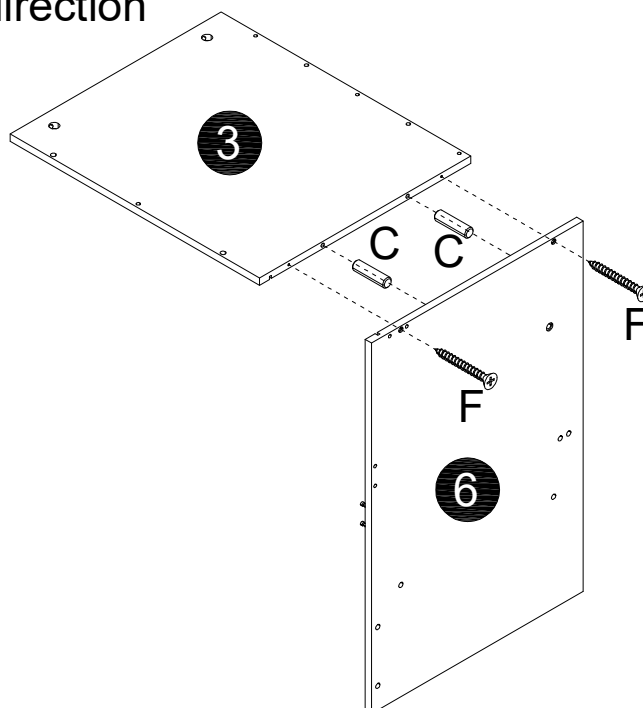
Fx2



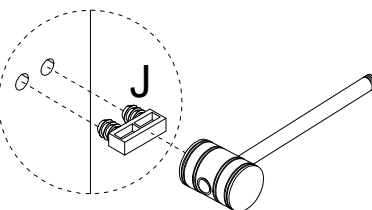
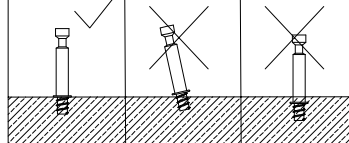
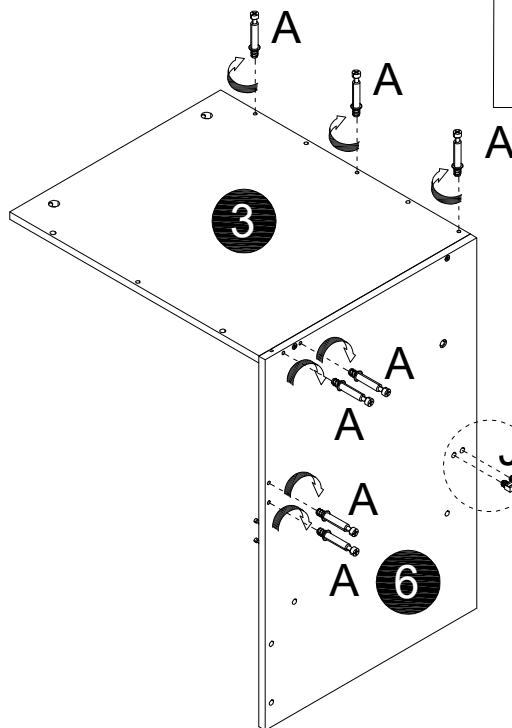
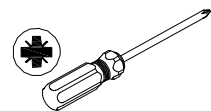
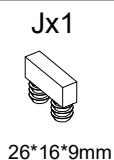
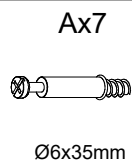
Ø4x35mm



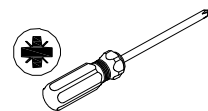
Pay attention to the direction of the board.



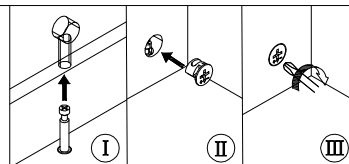
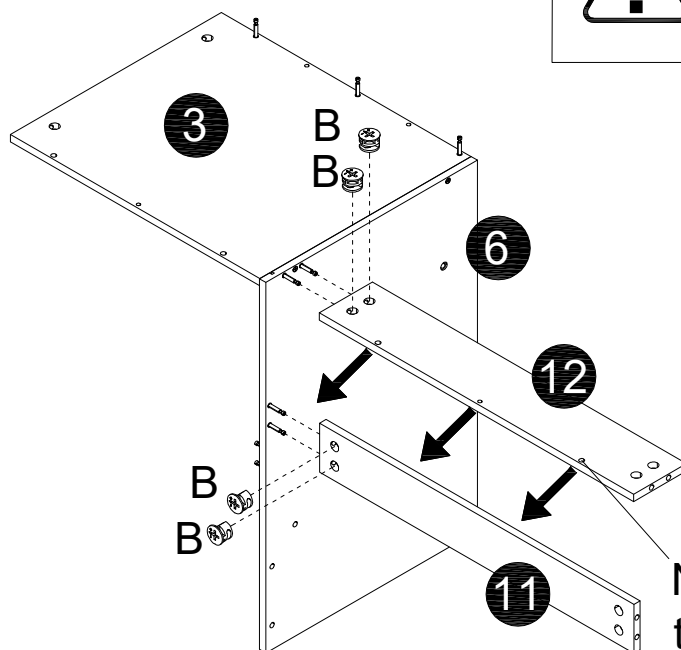
STEP21



STEP22



Pay attention to the direction of the board.



Note: Hole in this direction.

STEP23

Bx4



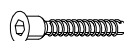
Ø15x10mm

Cx5

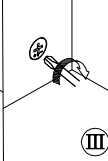
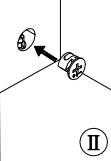
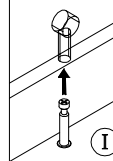
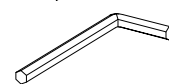
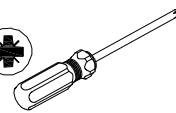


Ø6x30mm

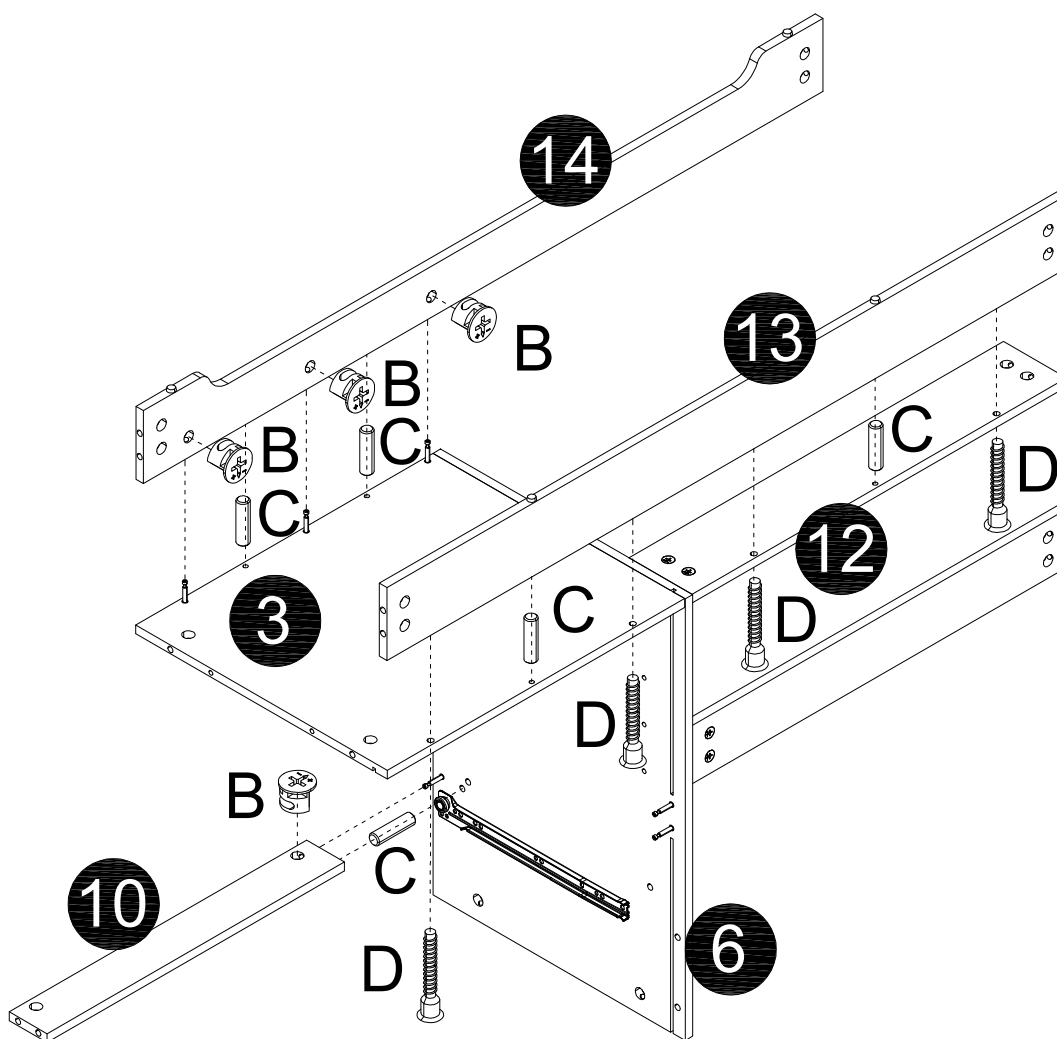
Dx4



Ø6x38mm

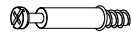


Insert the wood chip C first, then install B.



STEP24

Ax8

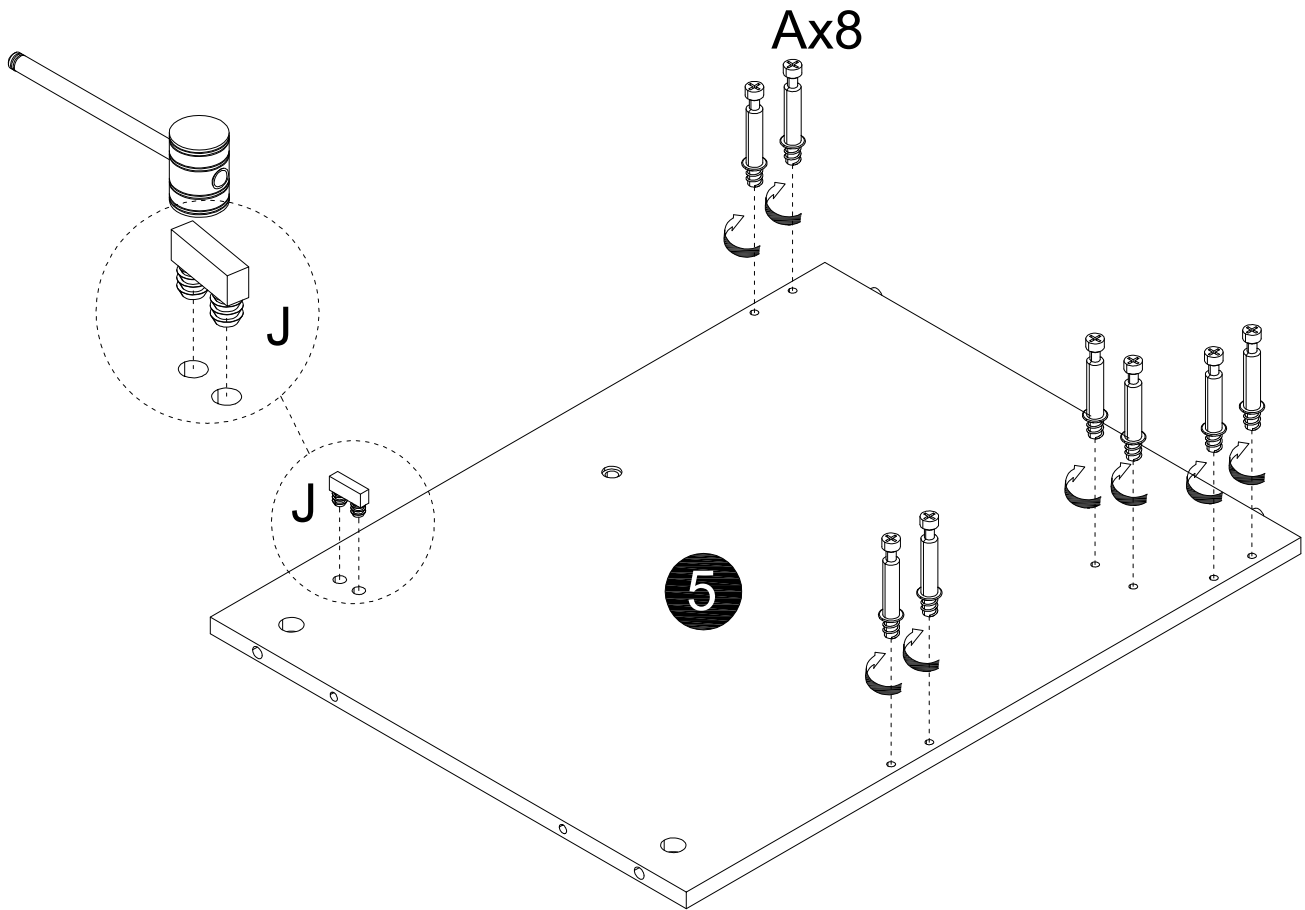
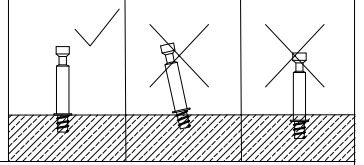
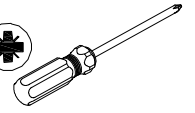


Ø6x35mm

Jx1



26*16*9mm

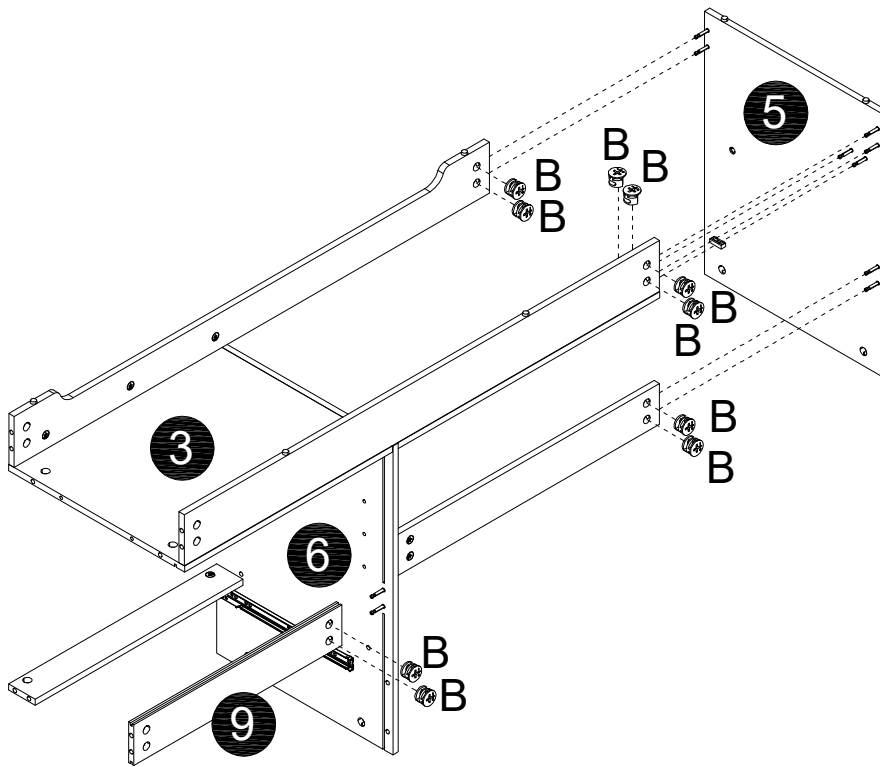
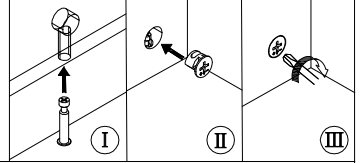
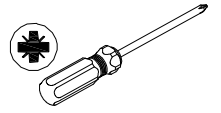


STEP25

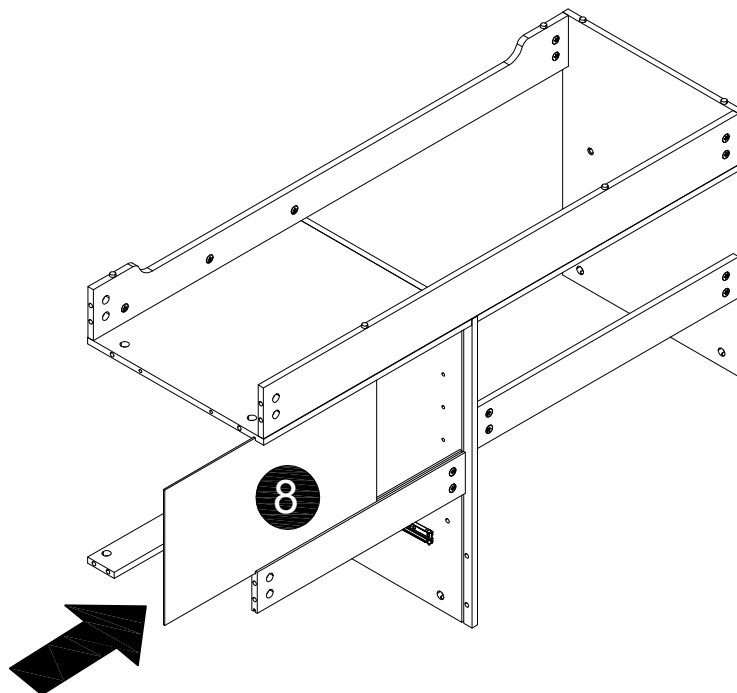
Bx10



Ø15x10mm



STEP26



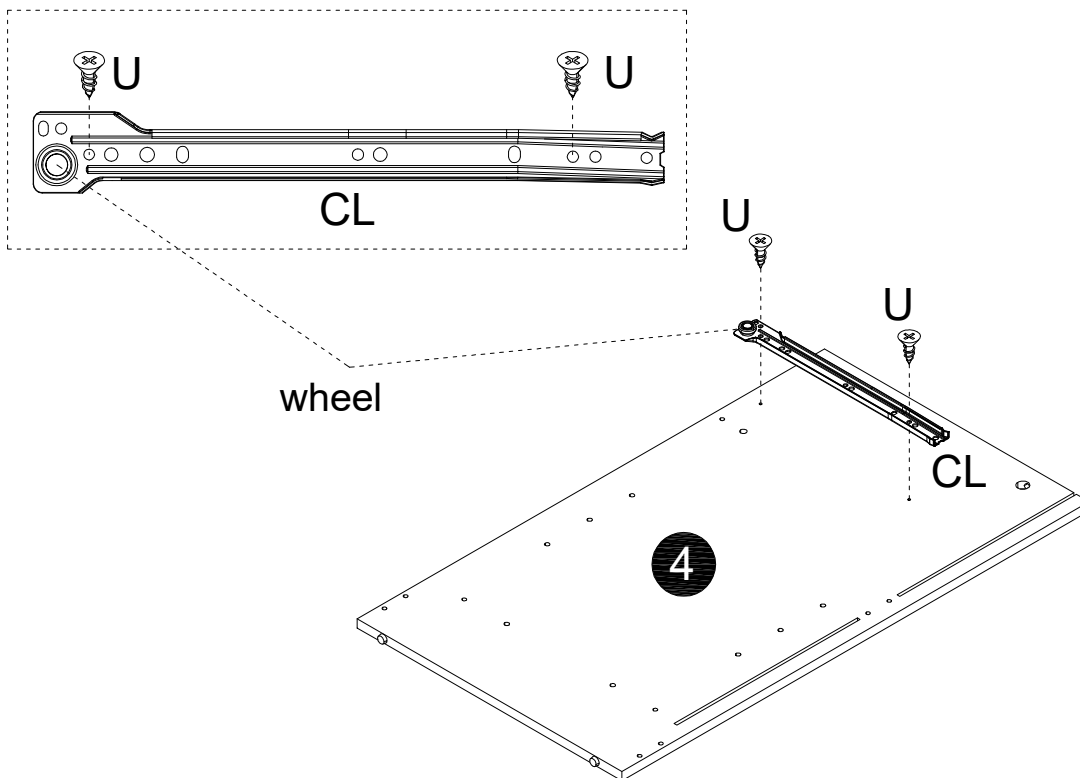
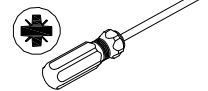
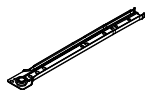
STEP27

Ux2



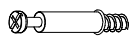
Ø3x12mm

CLx1

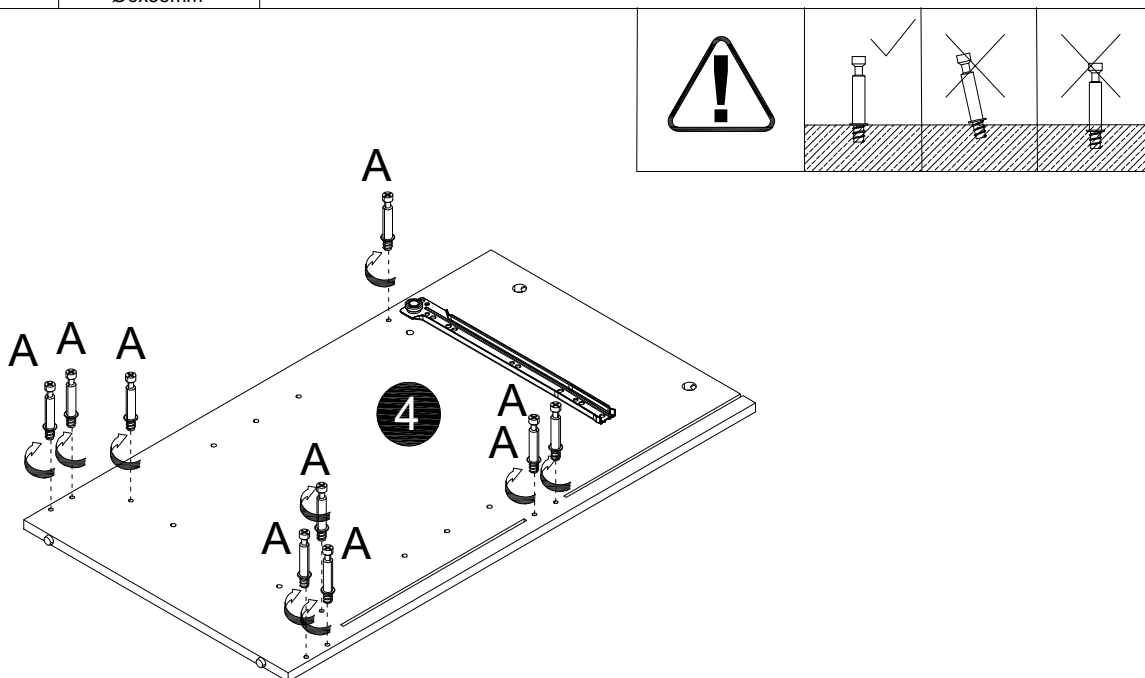
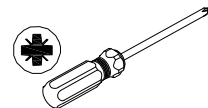


STEP28

Ax9



Ø6x35mm



STEP29

Bx9

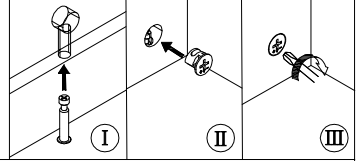
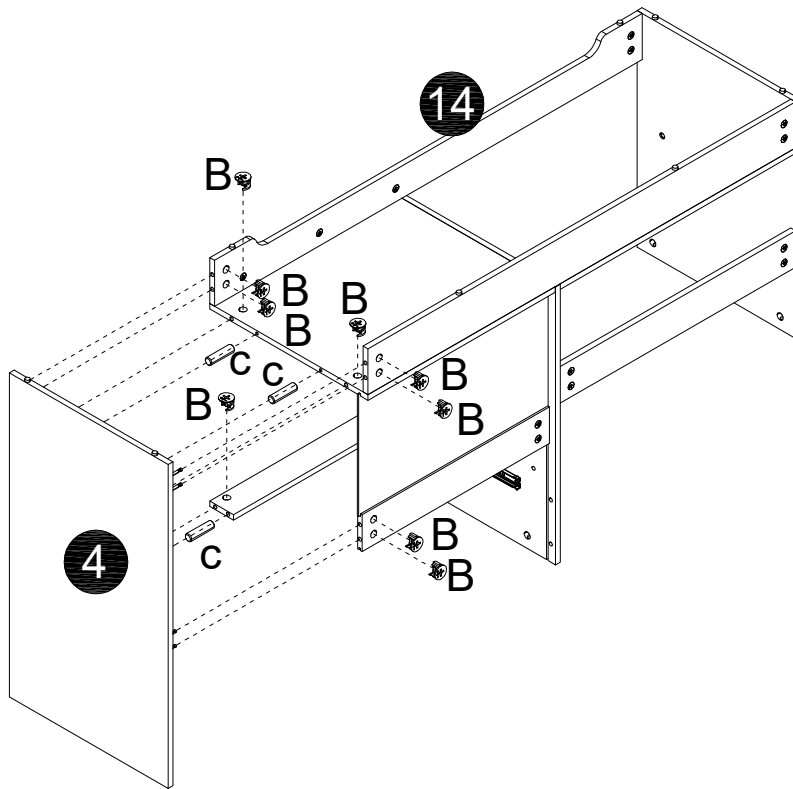
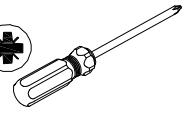


Ø15x10mm

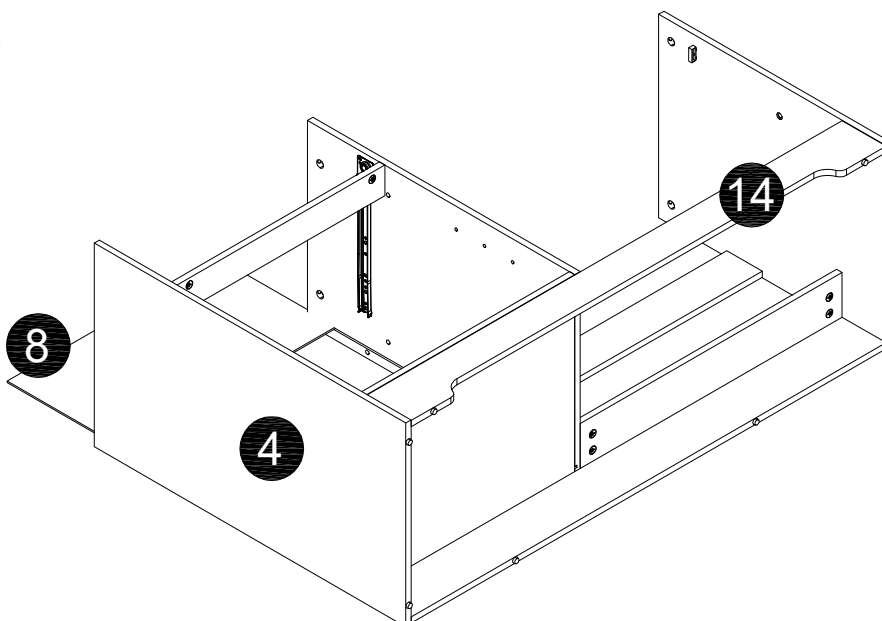
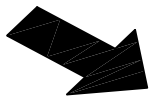
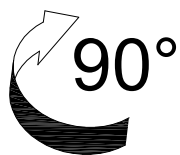
Cx3



Ø6x30mm



STEP30



STEP31

Bx6

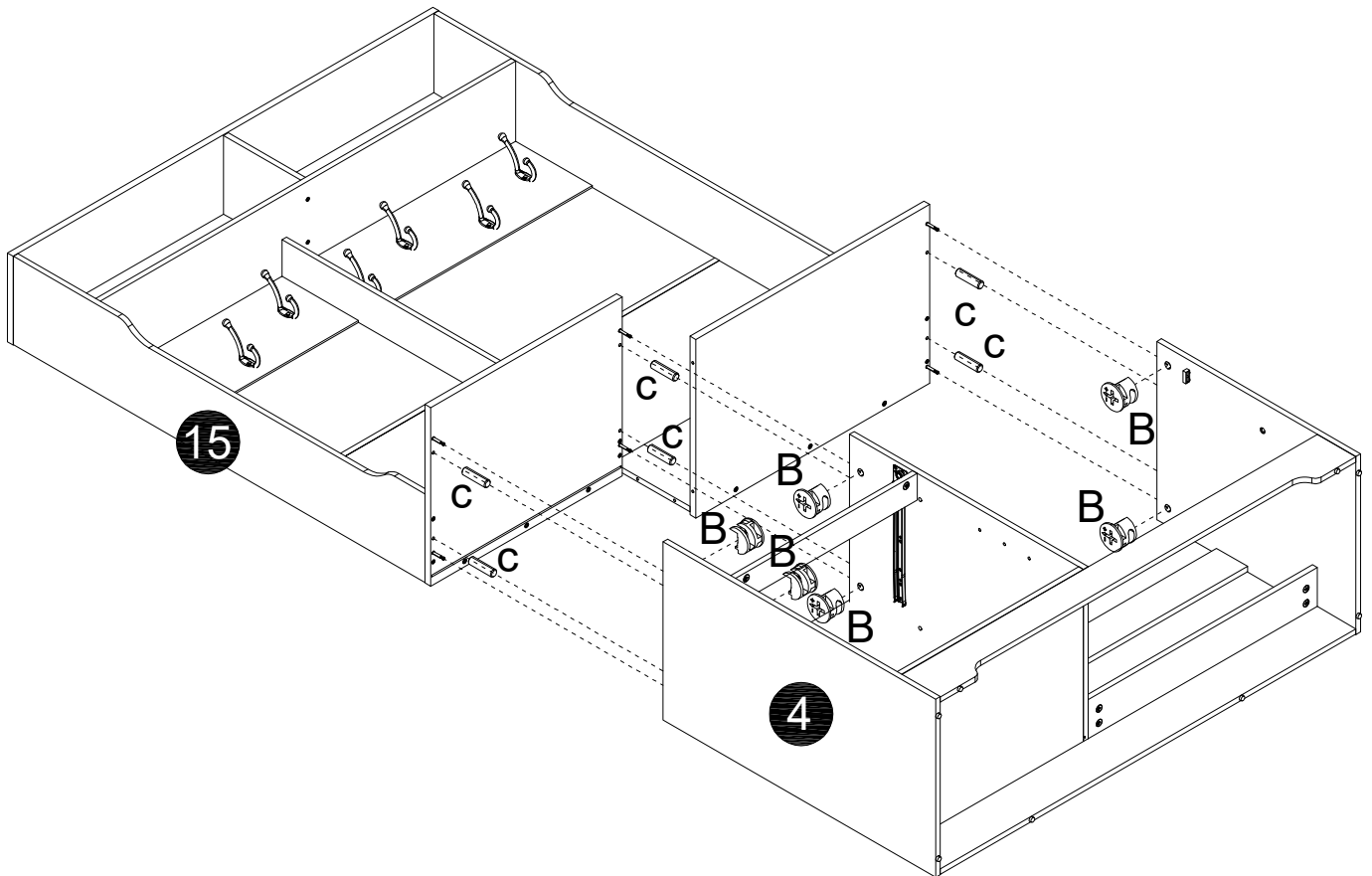
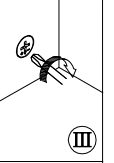
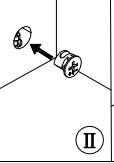
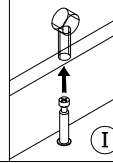
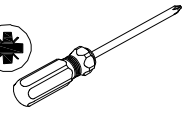


Ø15x10mm

Cx6



Ø6x30mm

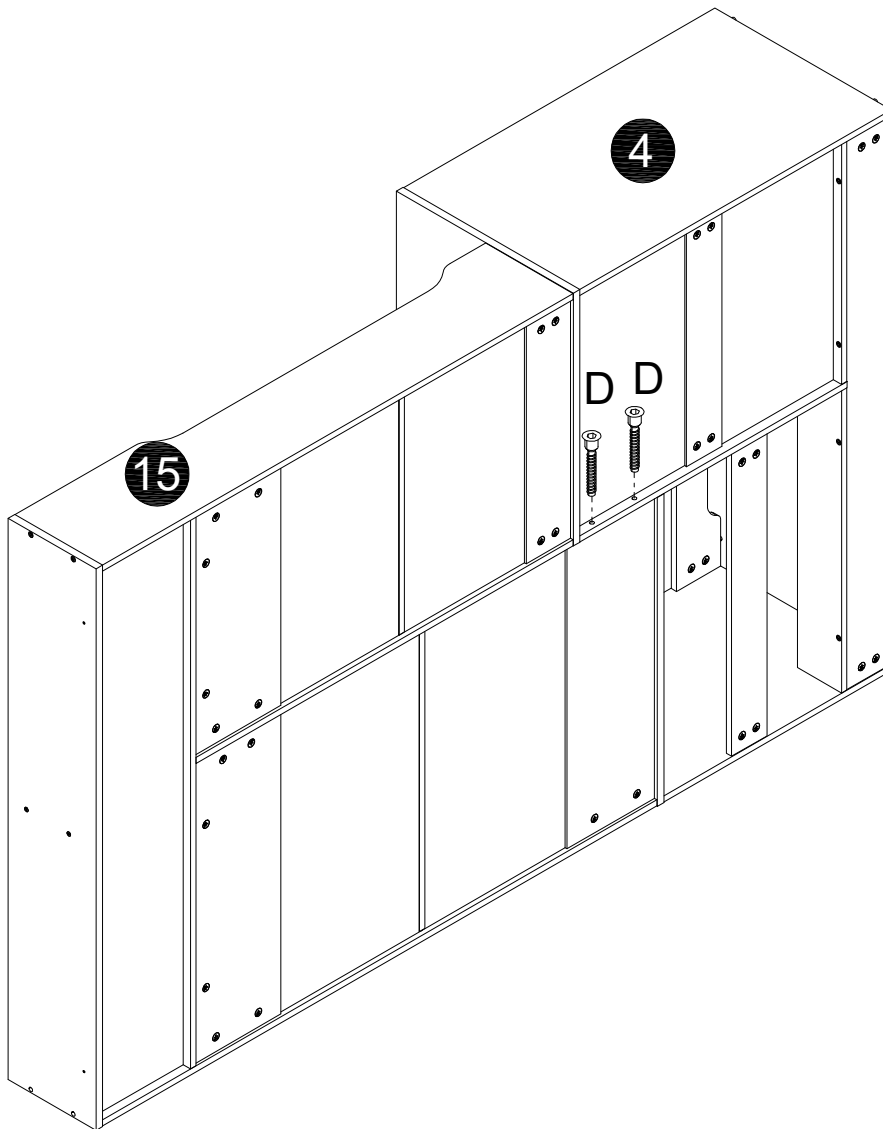
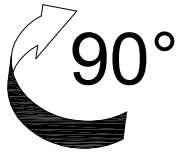
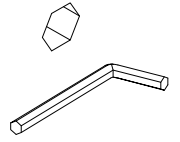


STEP32

Dx2



Ø6x38mm



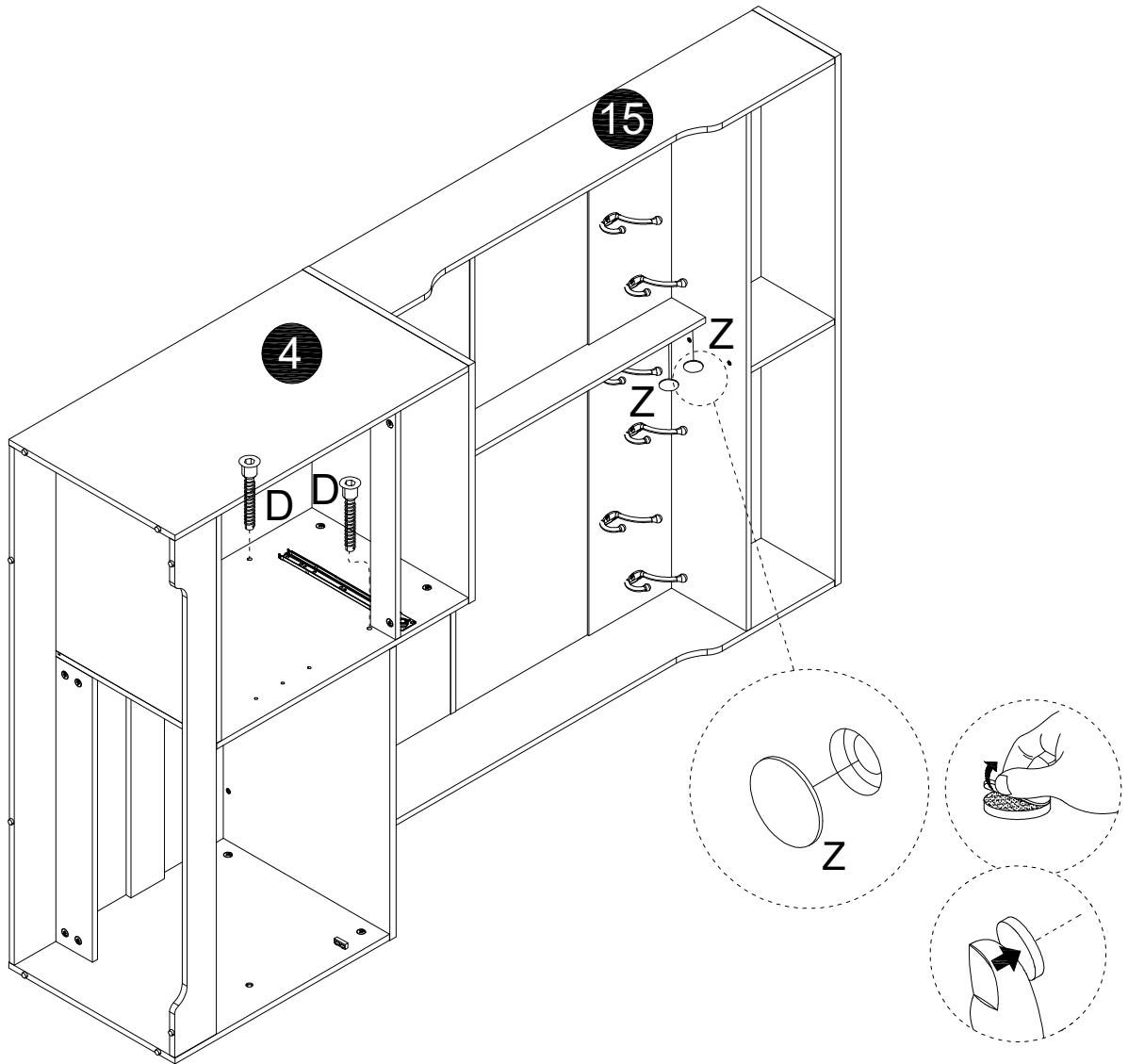
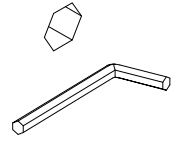
STEP33

Dx2



Ø6x38mm

Zx2

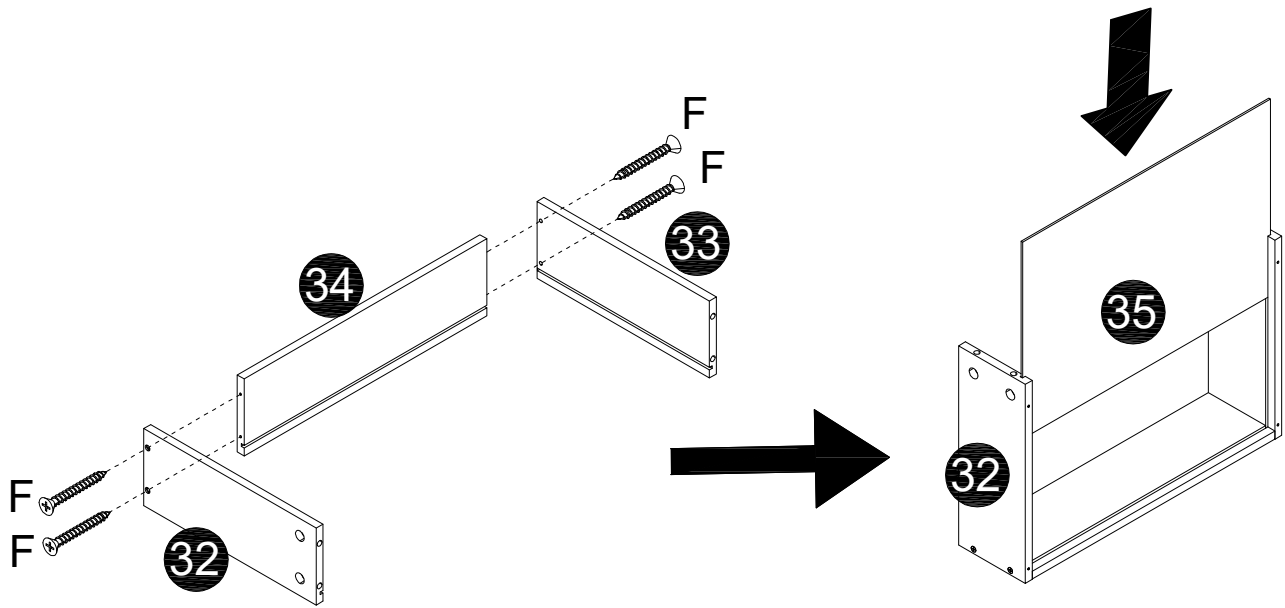
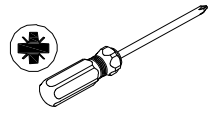


STEP34

Fx4

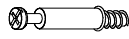


Ø4x35mm



STEP35

Ax4

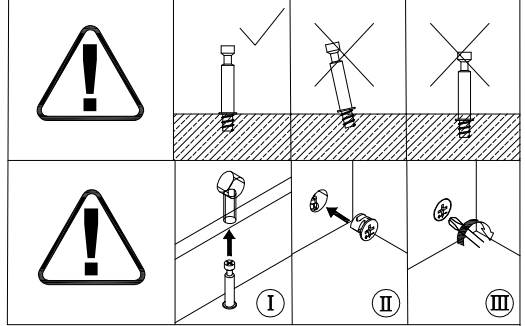
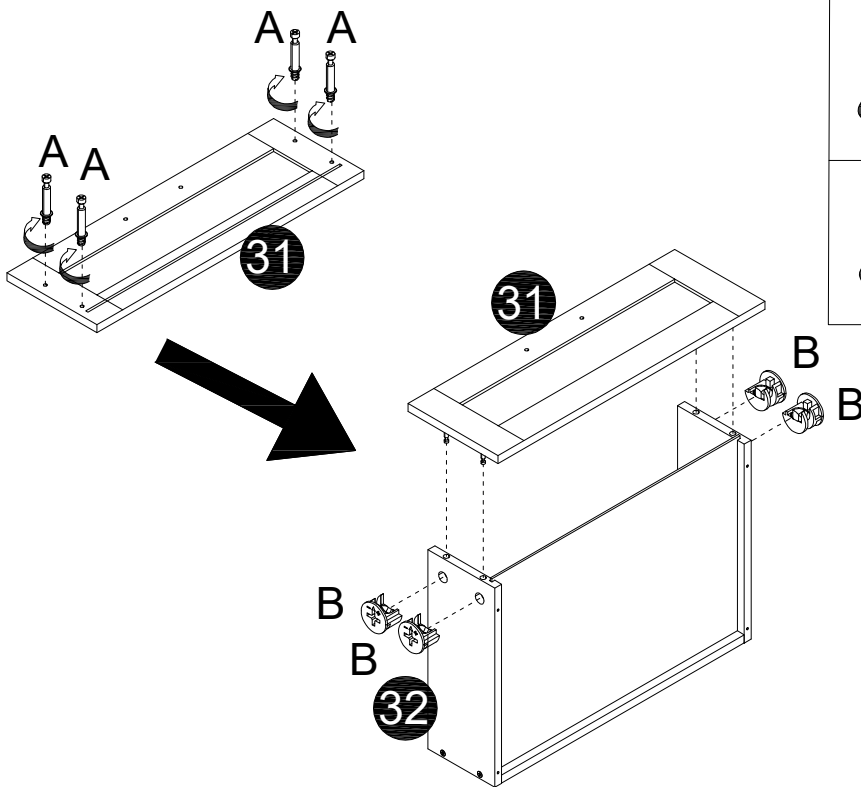
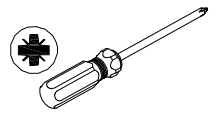


Ø6x35mm

Bx4



Ø15x10mm



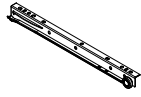
STEP36

Ux4

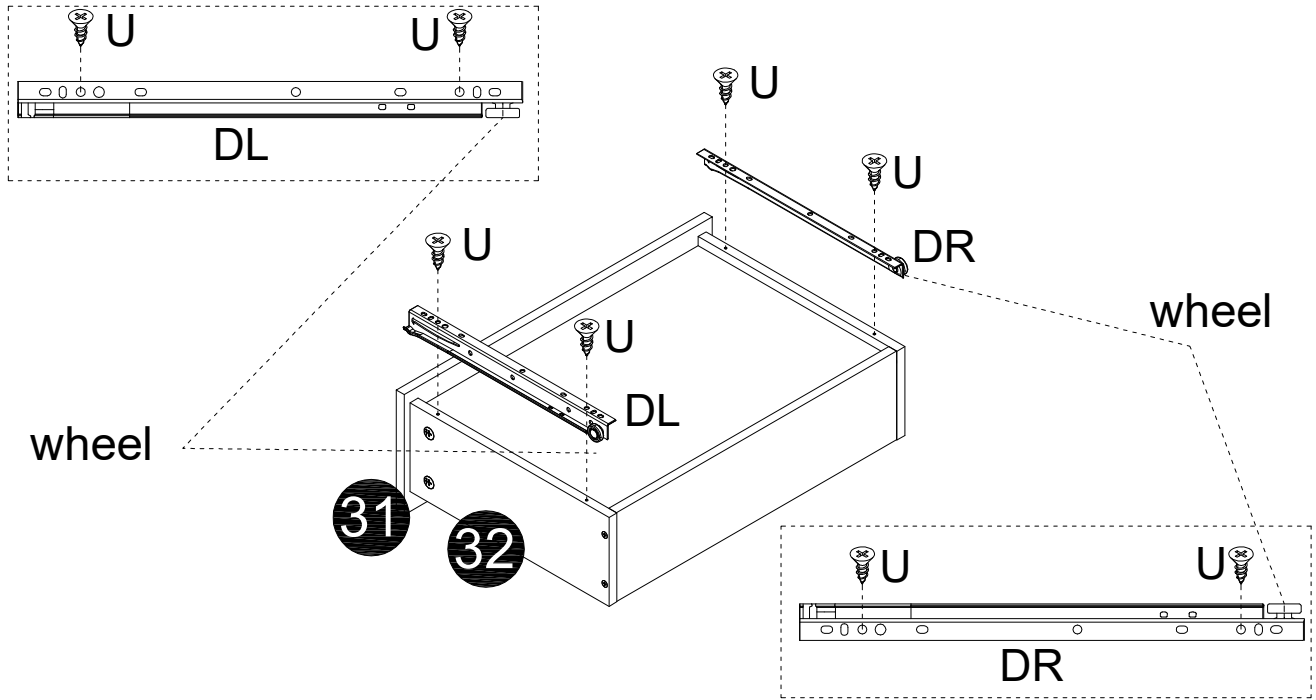
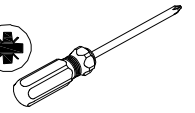
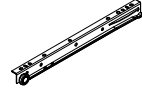


Ø3x12mm

DLx1



DRx1



STEP37

Lx1

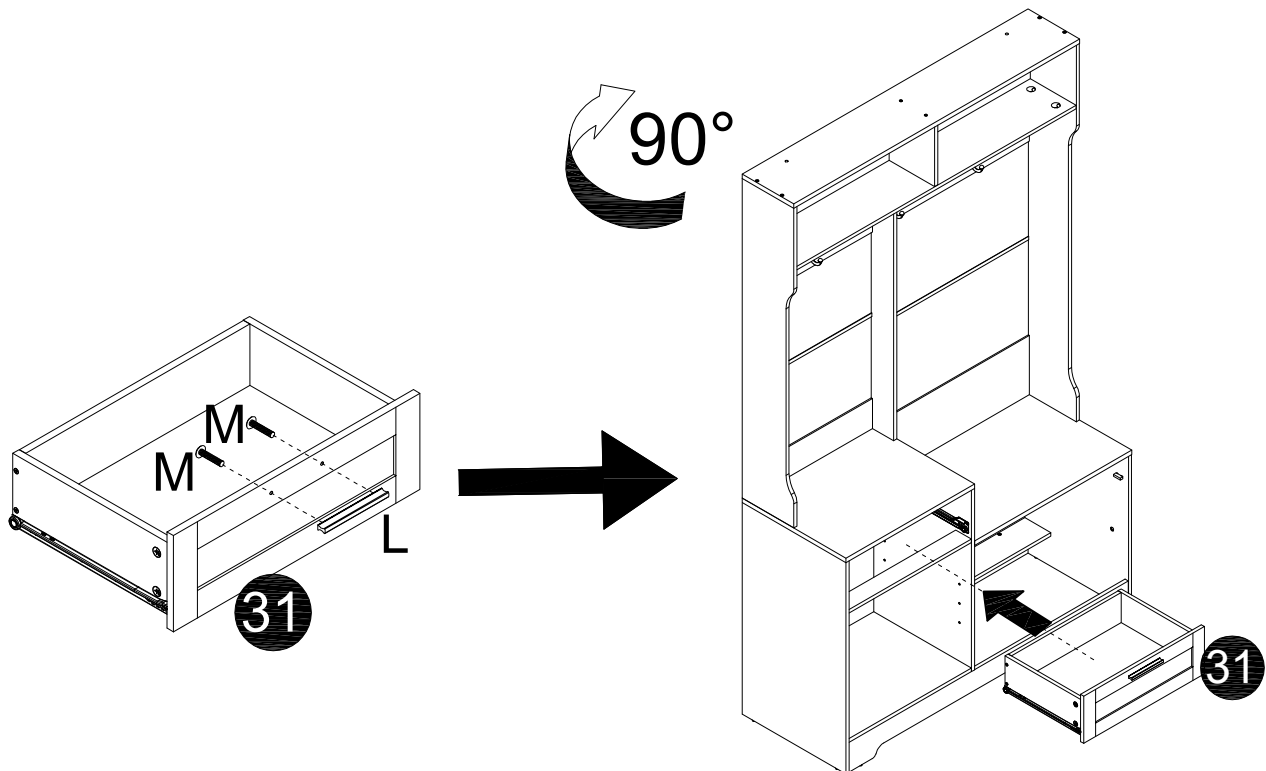
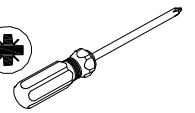


103*15*7mm

Mx2

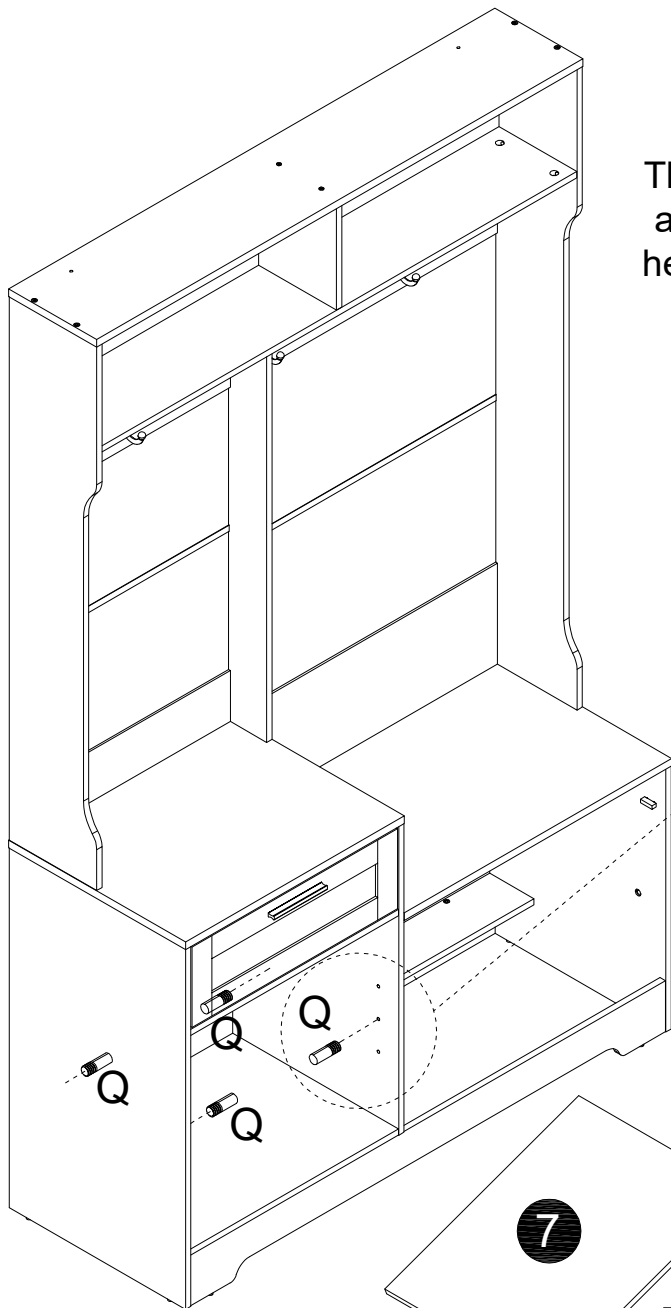


Ø4x18mm

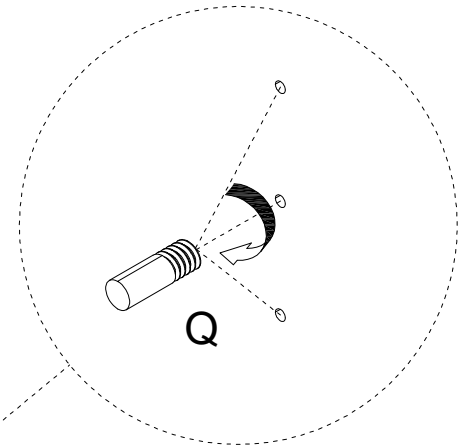


STEP38

Qx4



The laminated support features three adjustable positions to modify the shelf height via its mounting holes.



Insert the shelf at an angle.

STEP39

Lx1



103*15*7mm

Mx2



Ø4x18mm

Ex6

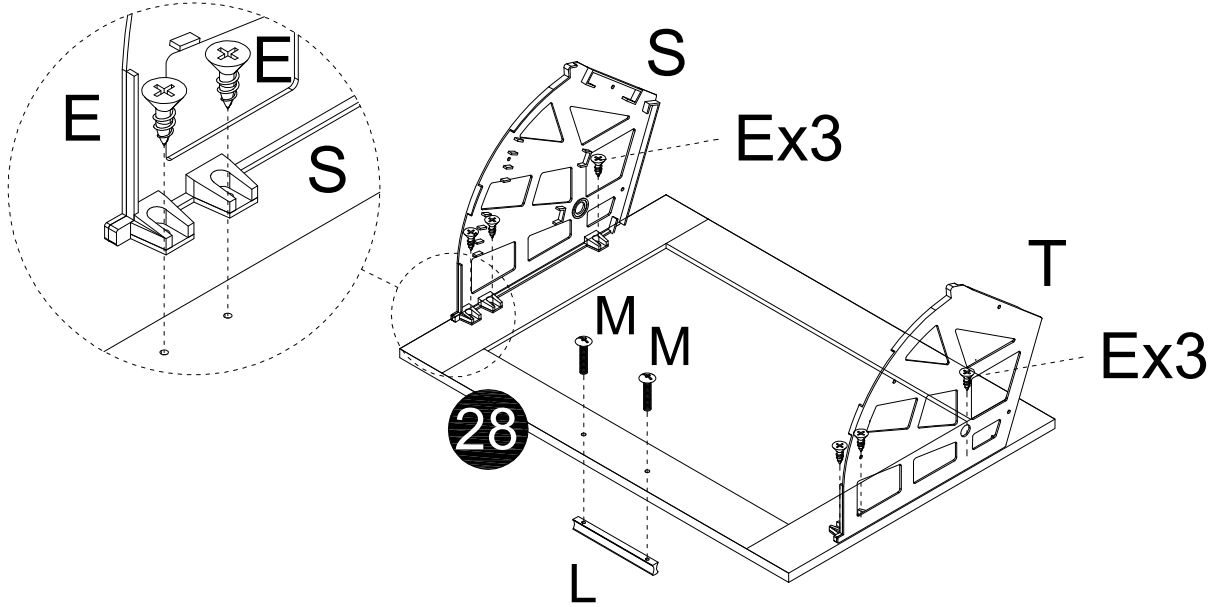
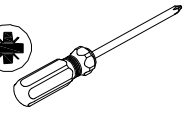


Ø3.5x12mm

Sx1



Tx1

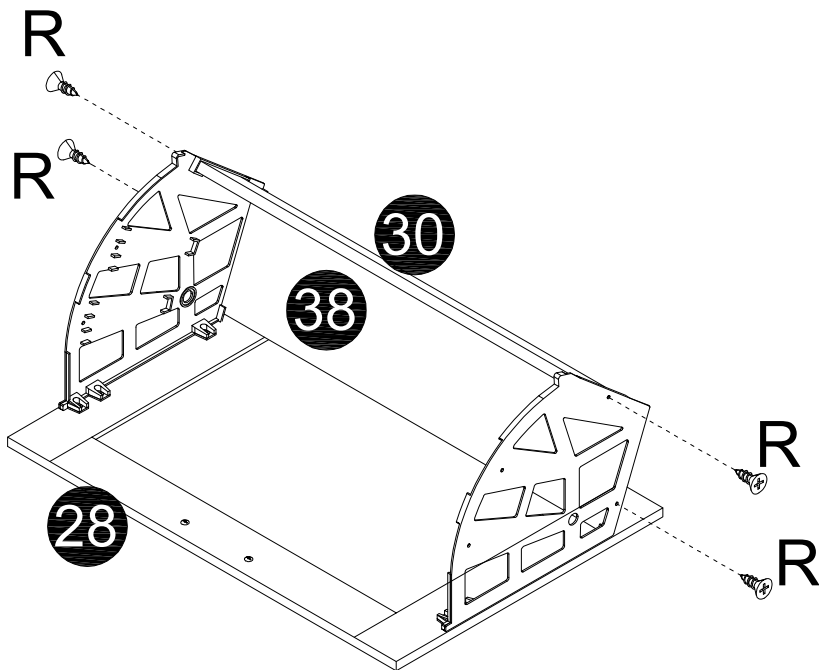
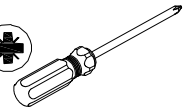


STEP40

Rx4



Ø3.5x14mm

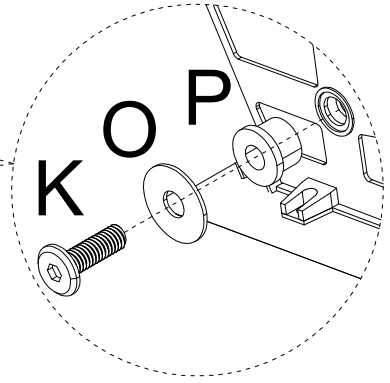
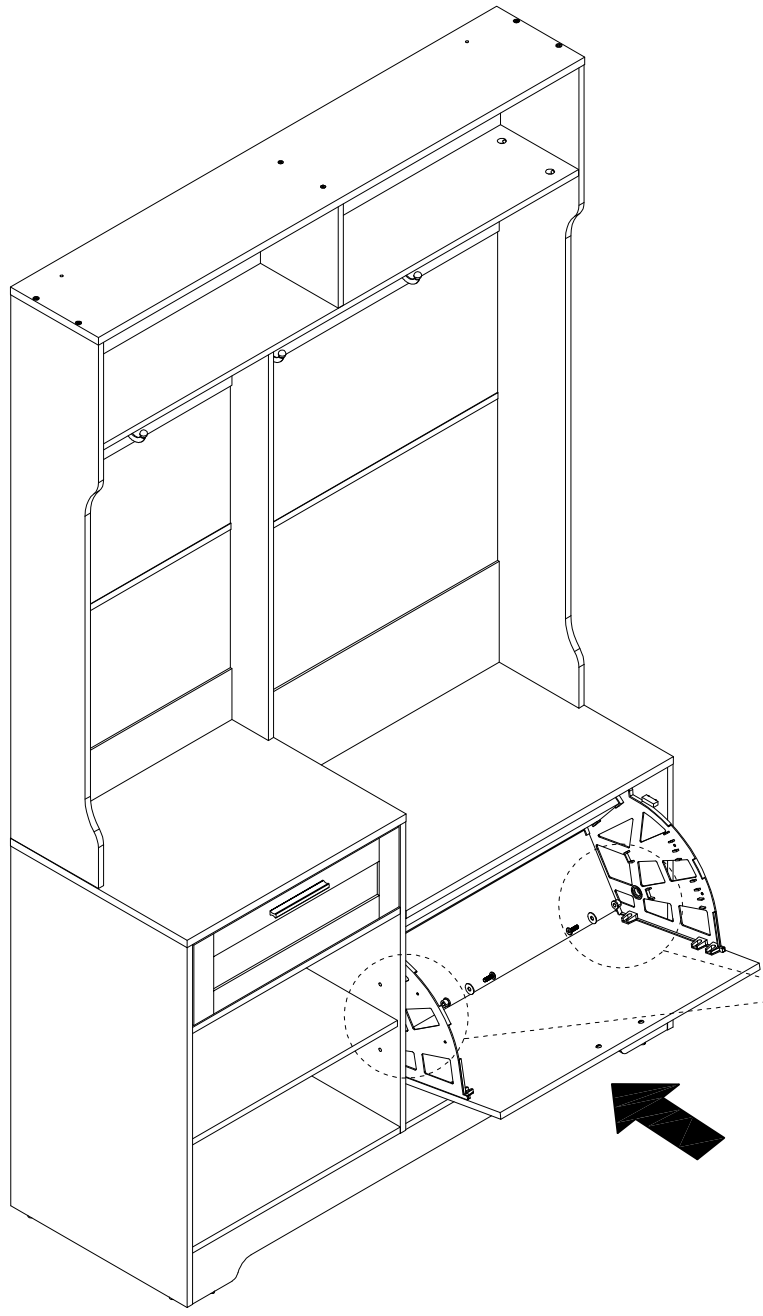
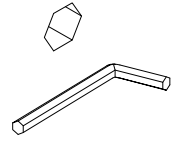


STEP41

Kx2
M6*18mm
white

Ox2
Ø19x1mm

Px2
Ø14x9mm

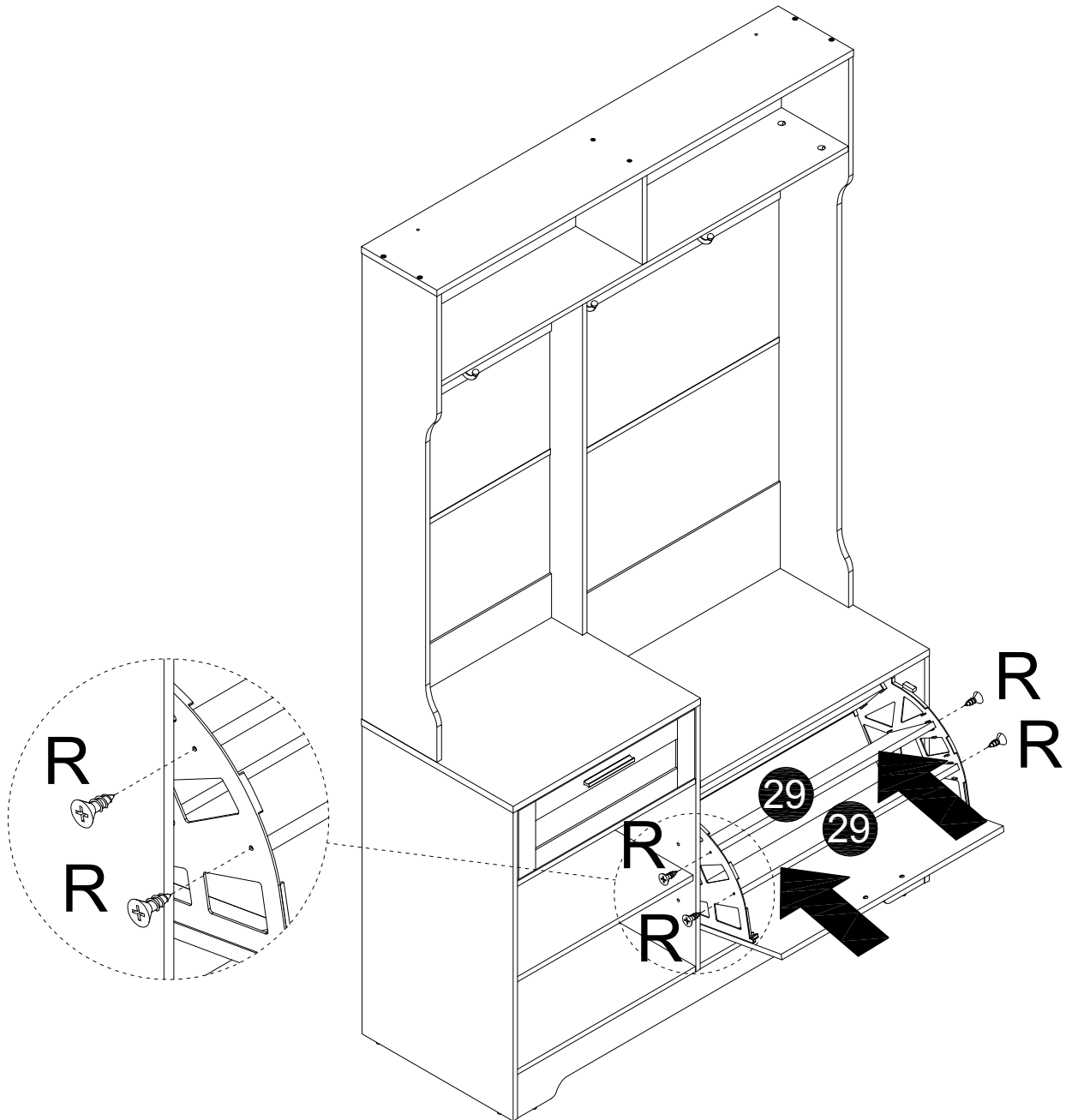
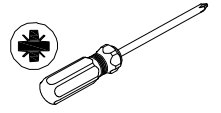


STEP42

Rx4

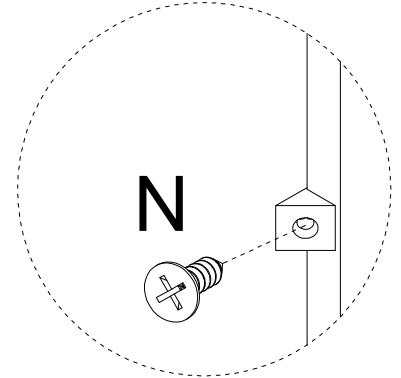
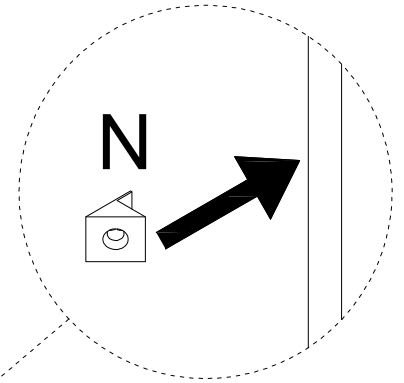
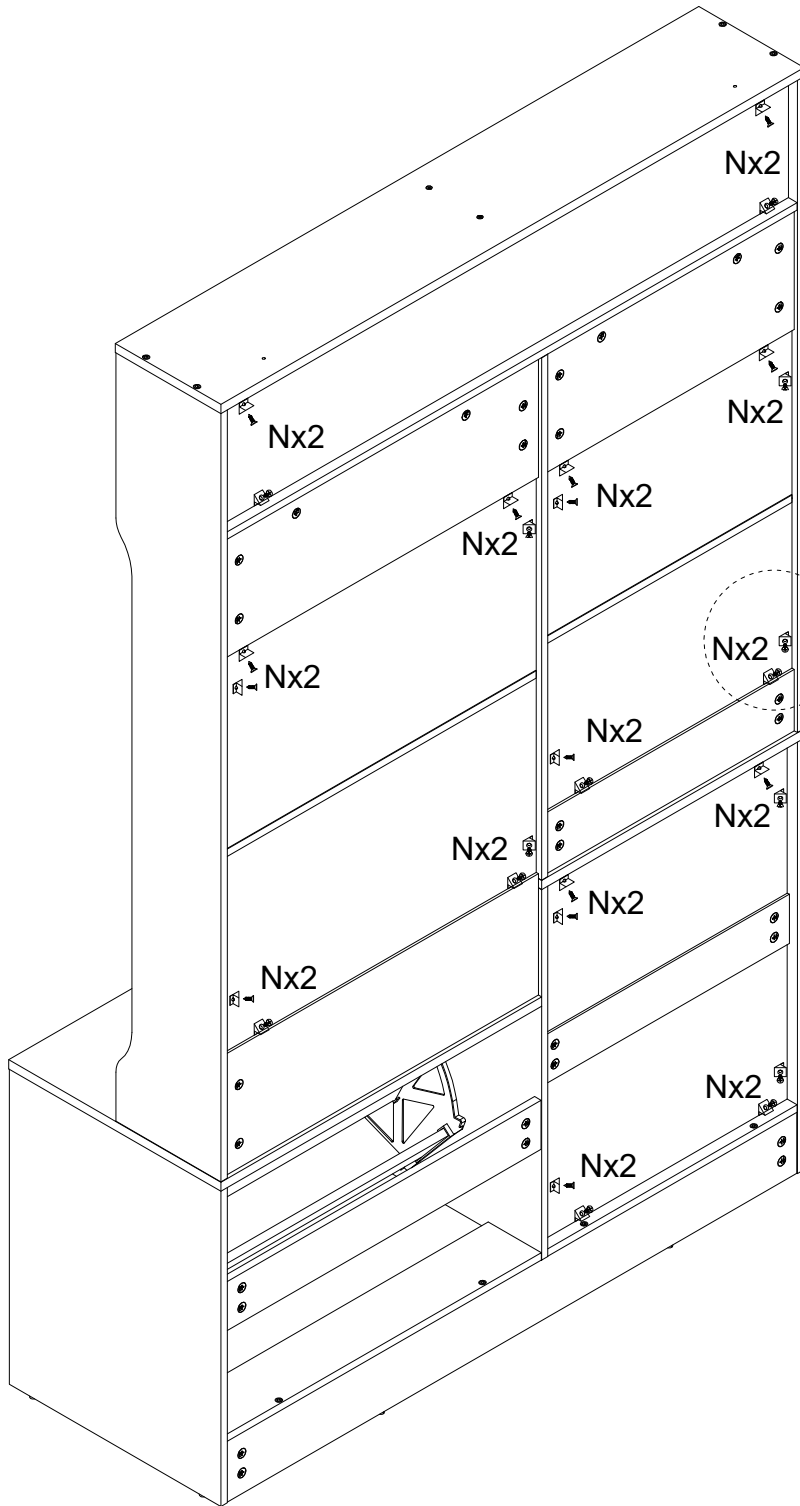
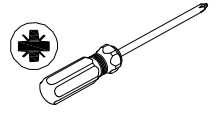


Ø3.5x14mm



STEP43

Nx28



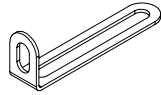
STEP44

Rx2

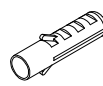


Ø3.5x14mm

Vx2



Wx2



Xx2



Ø4x40mm

