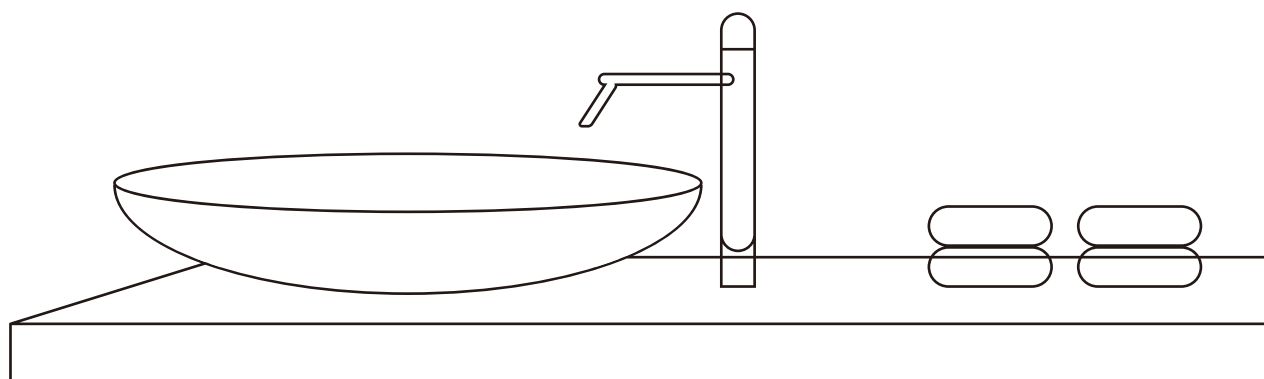
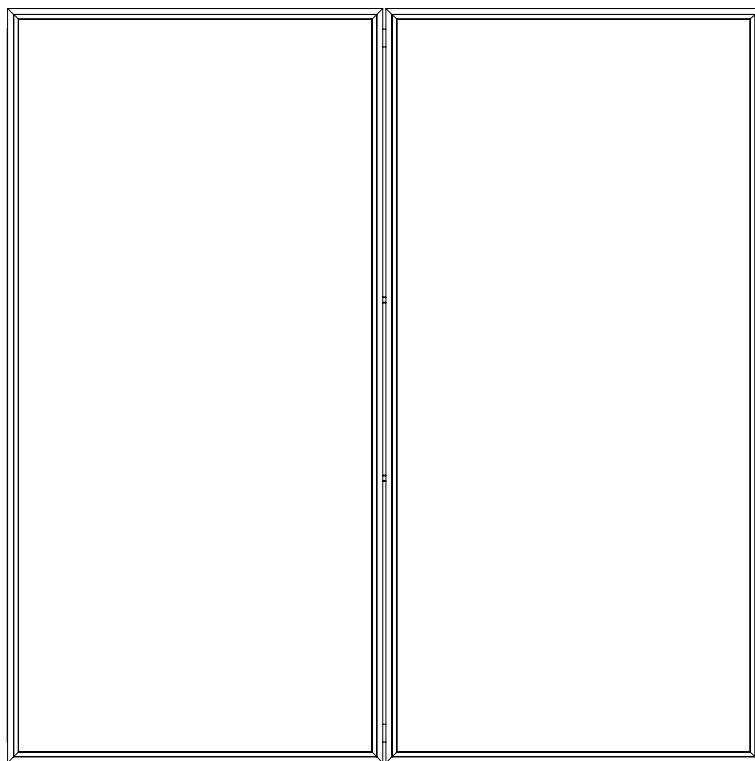
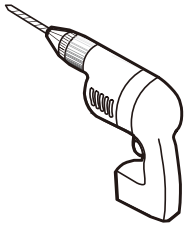


HB EZON



INSTALLATION MANUAL

HARDWARE AND TOOLS (Tools not included)



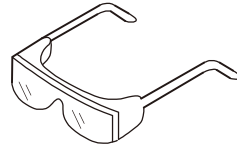
Power Drill



Mallet



Tape Measure



Safety Goggles



1/4" & 1/8" Drill Bits



Pencil



Level

HARDWARE LISTS

| ITEM | IMAGE | NAME |
|------|-------|----------------|
| 1 | | Mounting Screw |
| 2 | | Wall Anchor |

INSTALLATION INSTRUCTIONS

Please read carefully and save these instructions

Don't discard any of the packaging until you are sure that you have all of the parts and the fittings

IMPORTANT

1. Unpack cabinet. Do not lay cabinet on tiled or concrete surface prior to installation
Cabinet must be on protected surface to prevent chipping of the corners
2. Care must be taken before drilling pilot holes to avoid any existing wiring or pipe work that may be concealed.

MAINTENANCE

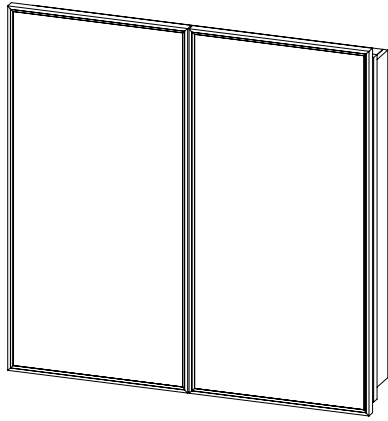
Wipe clean with a soft damp cloth. Apply glass cleaner to cloth and do not apply directly to mirror

INSTALLATION

Please refer to below surface mount or recess mount method.

SURFACE MOUNT INSTRUCTION

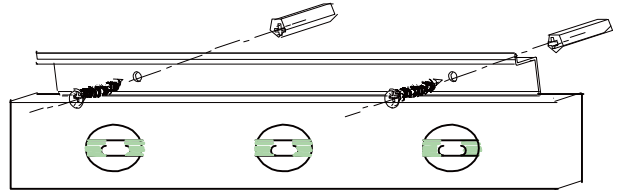
Step 1



Unpack the medicine mirror and prepare tools needed.

Step 2

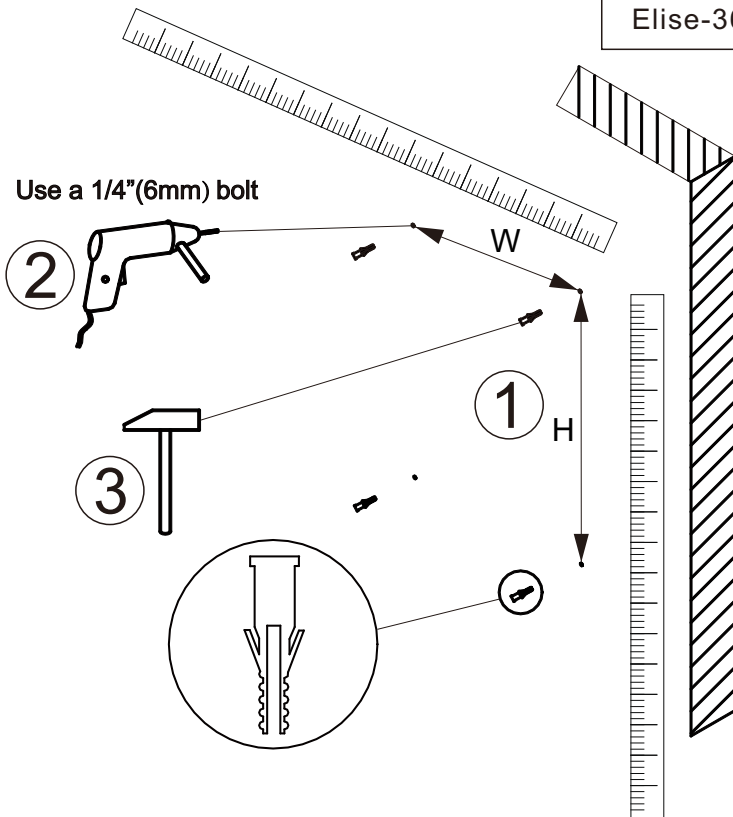
Measure and mark the back mounting holes on the wall.



Draw horizontal line connecting the marked location. The line should be level. Adjust to level if necessary.

Step 3

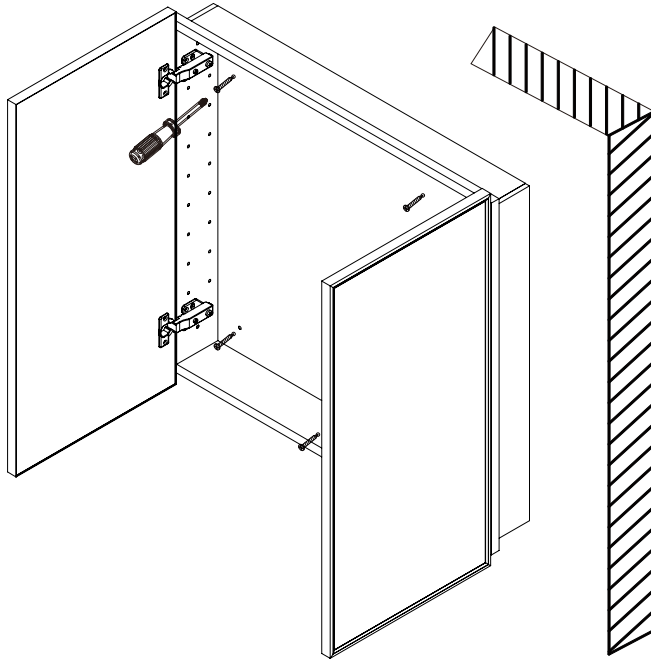
Drill holes, and put in the plastic expansion bolt.



| SKU# | W | H |
|-----------------|------------|------------|
| Elise-3030D-BLK | 29 3/16in. | 27 5/16in. |
| Elise-3630D-BLK | 35 3/16in. | 27 5/16in. |

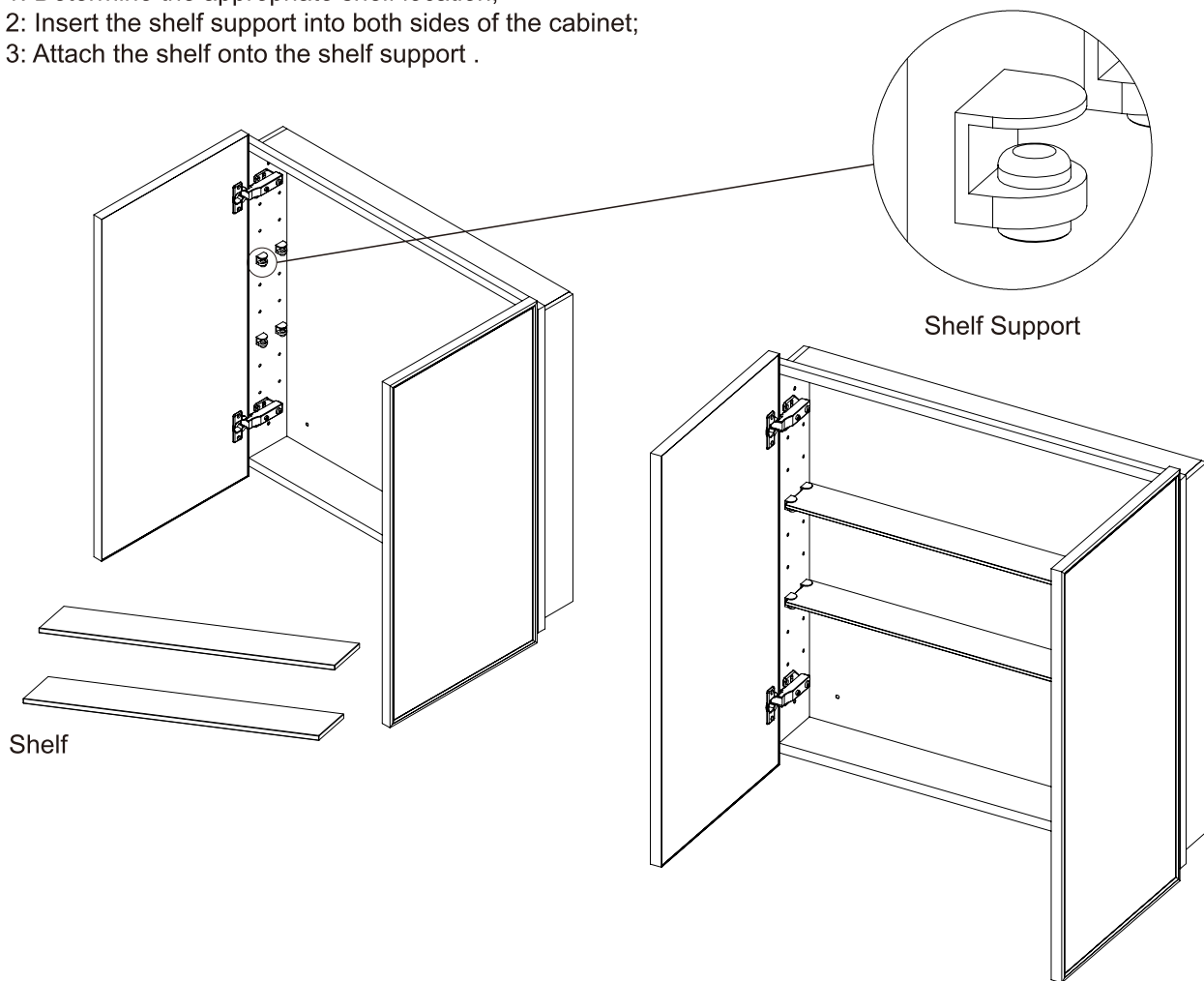
Step 4

Attach the cabinet to the wall with mountin screws from the hardware pack.



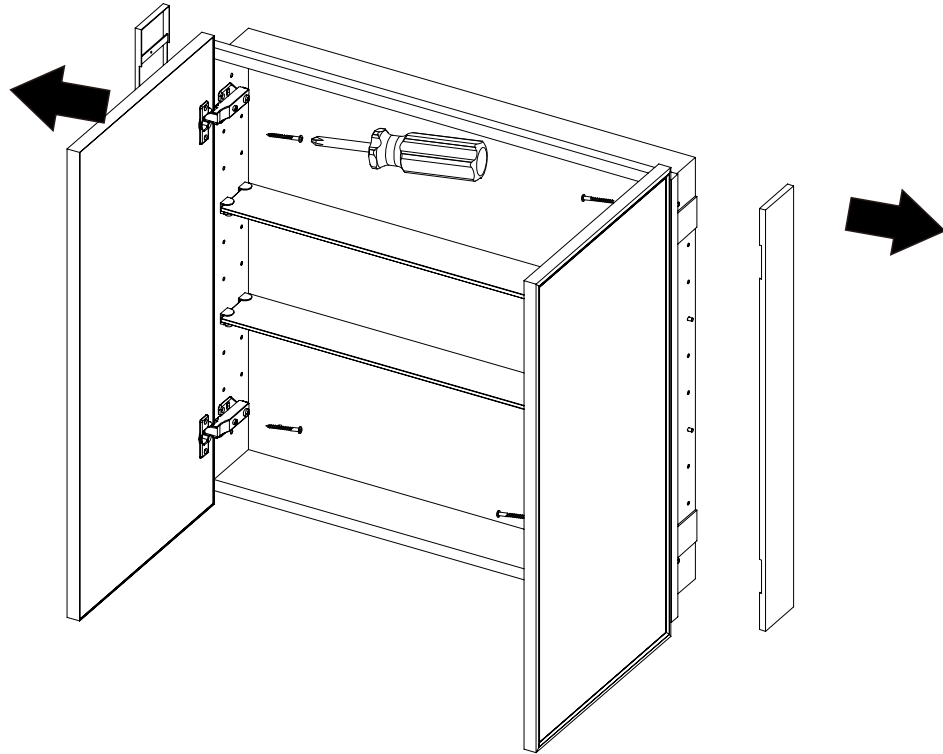
Step 5

- 1: Determine the appropriate shelf location;
- 2: Insert the shelf support into both sides of the cabinet;
- 3: Attach the shelf onto the shelf support .



Step 2

Carefully remove side panels for recess mount installation ONLY

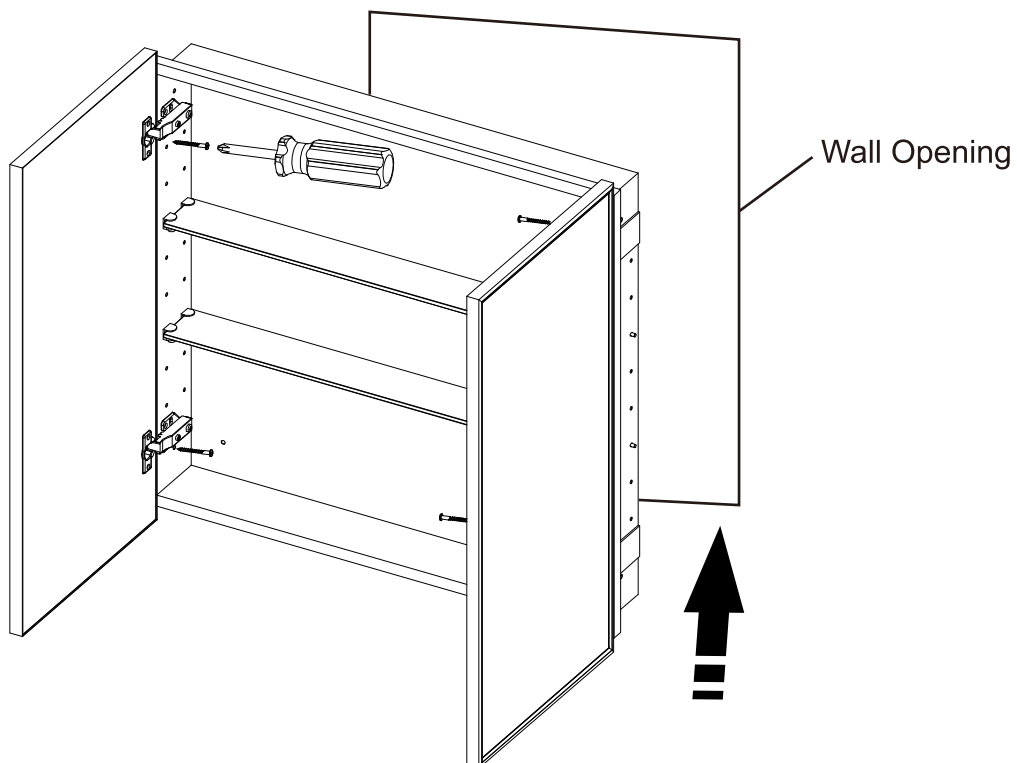


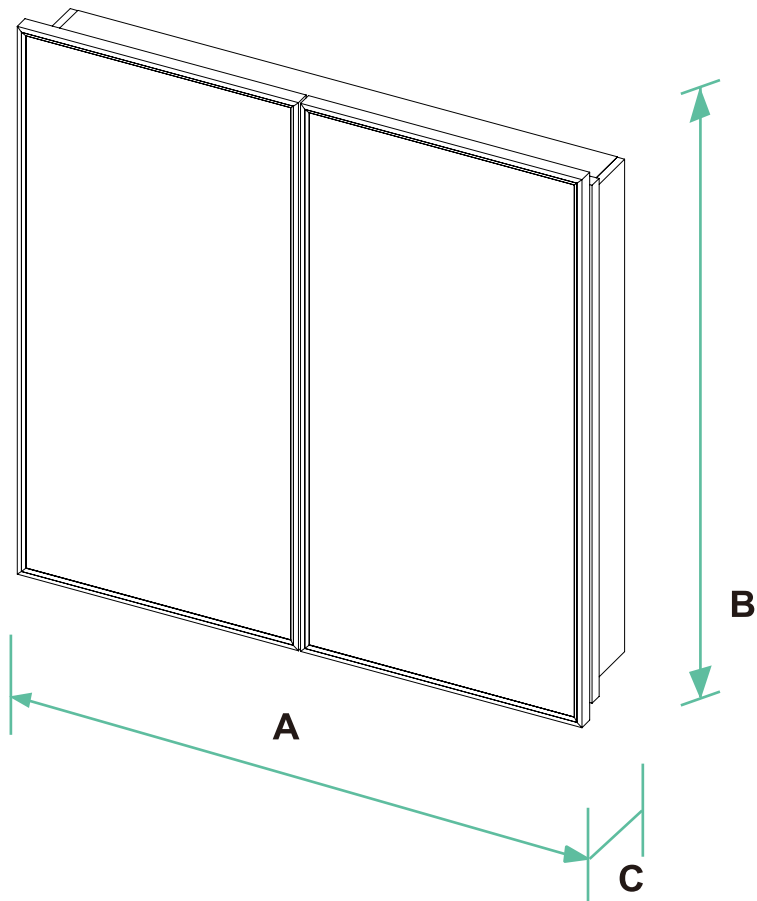
Step 3

Position the cabinet body in the rough wall opening. Make sure that the cabinet body flange covers the wall opening uniformly.

Secure both sides of the cabinet body to the wall supports using mounting screws .

NOTE: The cabinet body must be level for the door to work properly.





A - Width
B - Height
C - Depth

Unit: Inch

| SKU# | A | B | C |
|-----------------|----|----|---|
| Elise-3030D-BLK | 30 | 30 | 5 |
| Elise-3630D-BLK | 36 | 30 | 5 |

Note: All dimensions & specifications are approximate and subject to change without notice.

Customer Service:

For any questions or queries regarding our products, please contact our support team:

[Email:cs@hbezon.com](mailto:cs@hbezon.com)

Website:www.hbezon.com