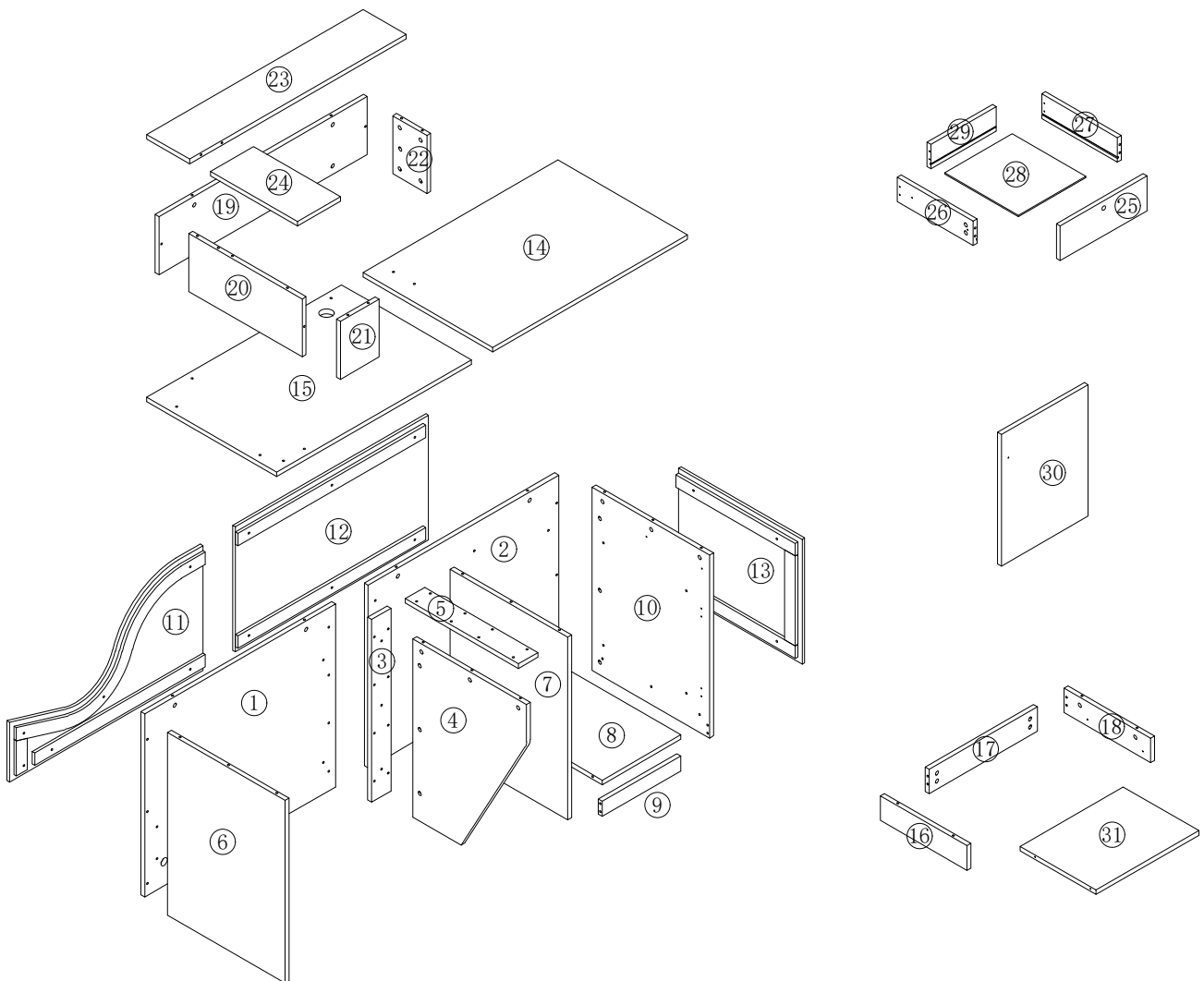
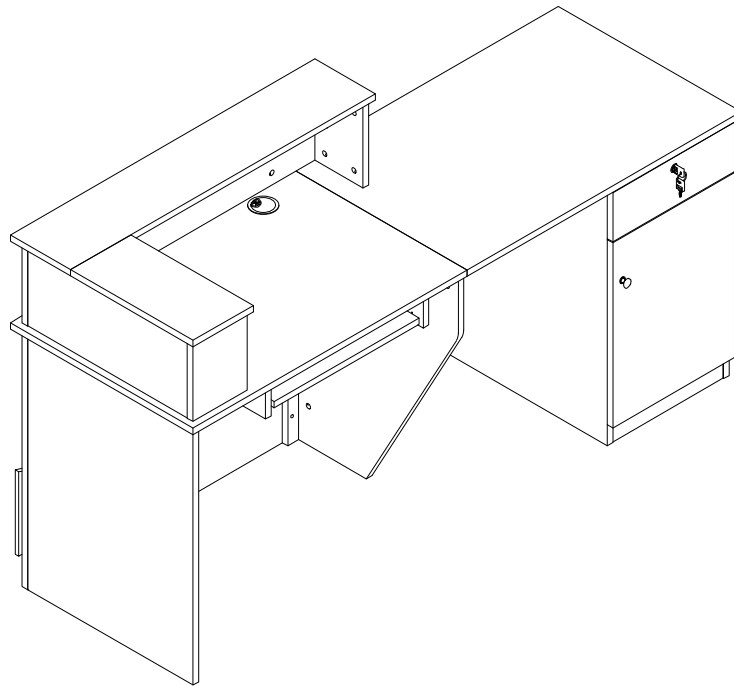
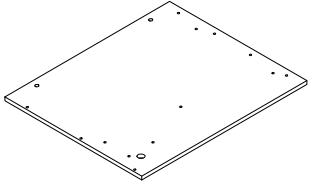
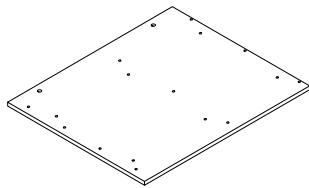
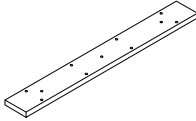
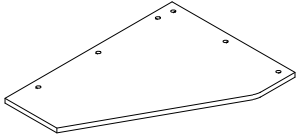
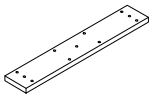
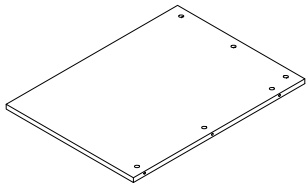
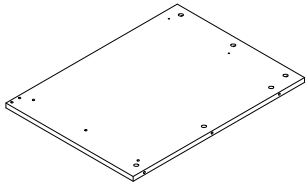
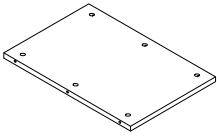
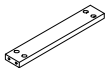
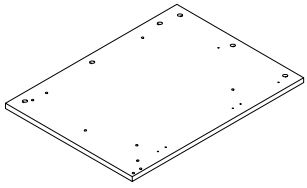
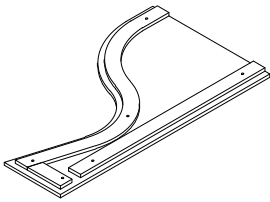
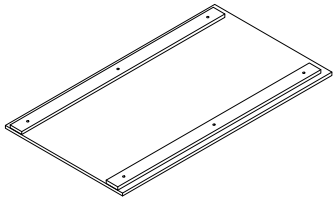
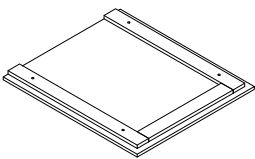
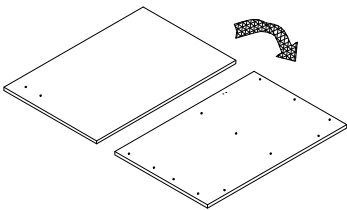
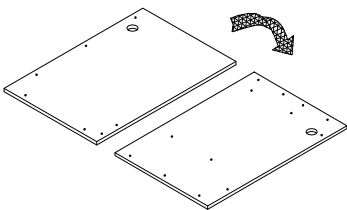
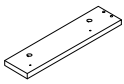
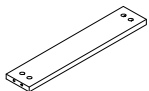
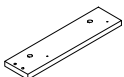
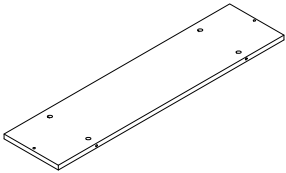
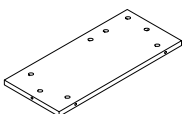


ASSEMBLY INSTRUCTION



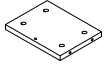
ASSEMBLY INSTRUCTION

① 1PC 	② 1PC 	③ 1PC 	④ 1PC 
⑤ 1PC 	⑥ 1PC 	⑦ 1PC 	⑧ 1PC 
⑨ 1PC 	⑩ 1PC 	⑪ 1PC 	⑫ 1PC 
⑬ 1PC 	⑭ 1PC 	⑮ 1PC 	⑯ 1PC 
⑰ 1PC 	⑱ 1PC 	⑲ 1PC 	⑳ 1PC 

ASSEMBLY INSTRUCTION

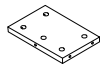
21

1PC



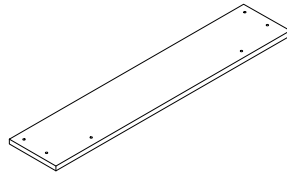
22

1PC



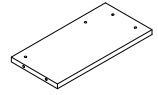
23

1PC



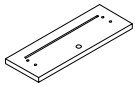
24

1PC



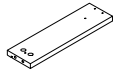
25

1PC



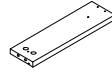
26

1PC



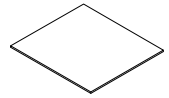
27

1PC



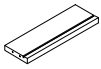
28

1PC



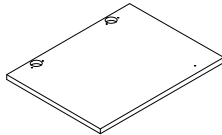
29

1PC



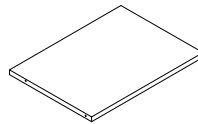
30

1PC

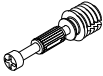






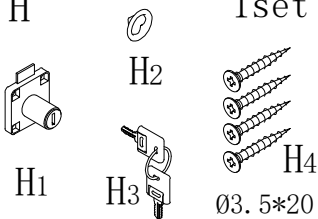



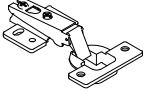

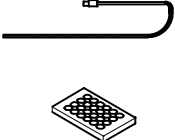




31

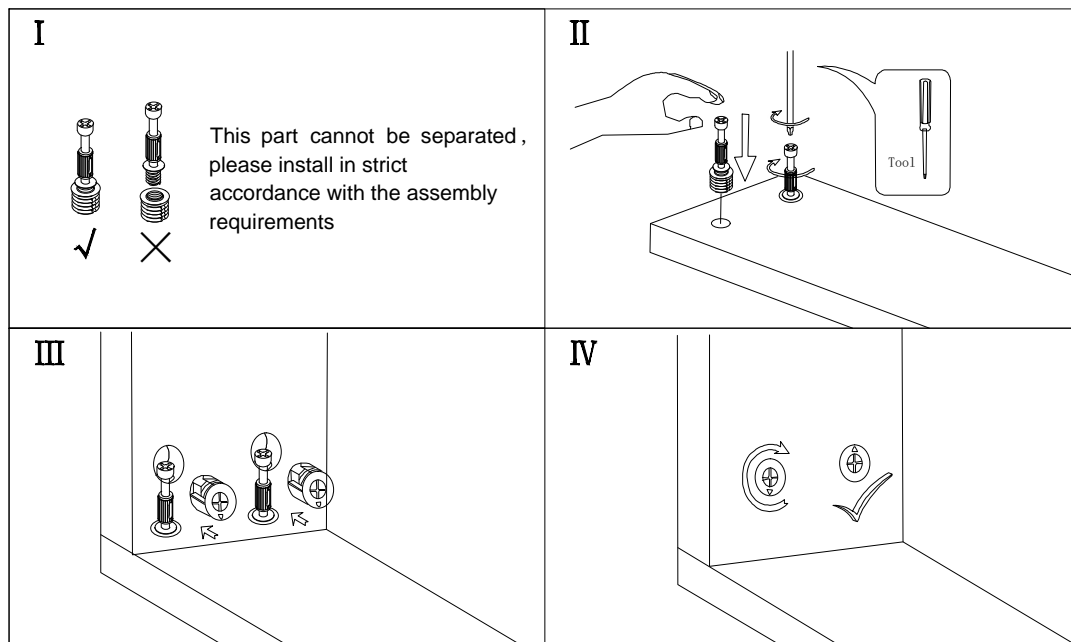
1PC



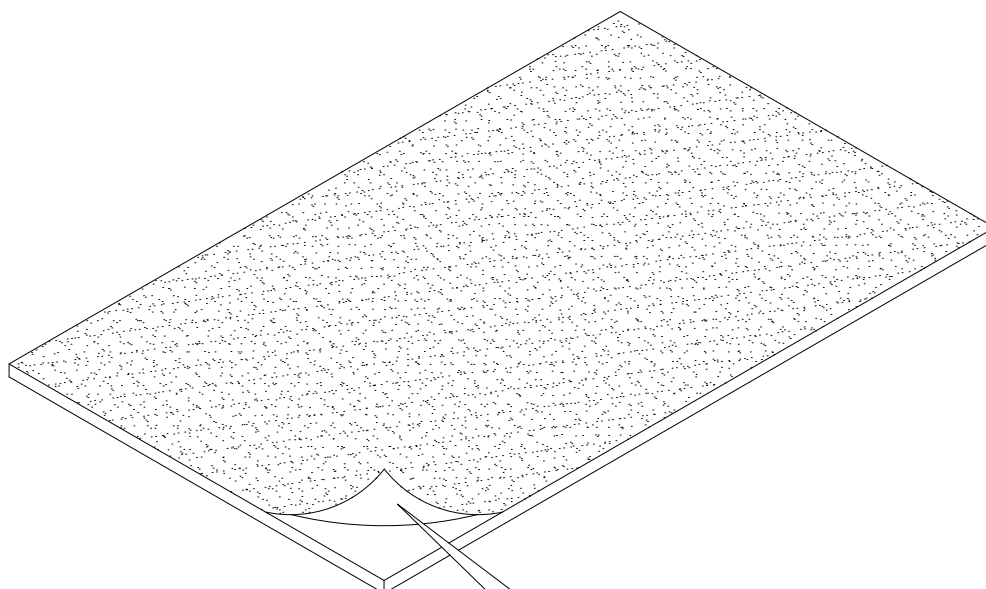
ASSEMBLY INSTRUCTION

<p>A 71PCS</p>  <p>M6*40</p>	<p>B 71PCS</p>  <p>Ø15*9.5</p>	<p>C 30PCS</p>  <p>Ø3.5*14</p>	<p>D 12PCS</p> 
<p>E 1set</p>  <p>M4*22</p>	<p>F 4PCS</p>  <p>14"</p>	<p>G 4PCS</p>  <p>Ø3.5*40</p>	<p>H 1set</p>  <p>H1 H2 H3 H4 Ø3.5*20</p>
<p>I 32PCS</p>  <p>M6*27</p>	<p>J 2PCS</p>  <p>Ø6*40</p>	<p>K 1PC</p>  <p>29*13*9</p>	<p>L 2PCS</p> 
<p>M 1PC</p>  <p>Ø50</p>	<p>N 1set</p> 	<p>O 71PCS</p> 	

"A" Hardware installation example



Attention, please! Before installation, please remove the transparent protective film from the surface of the board.



Please remove the protective paper by hand.

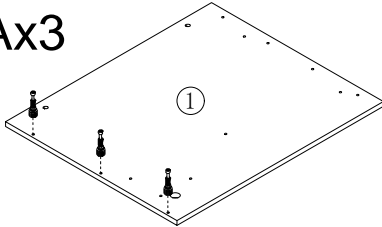
Step 1

A 54PCS

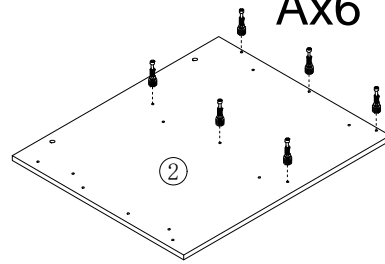


M6*40

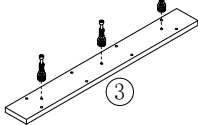
Ax3



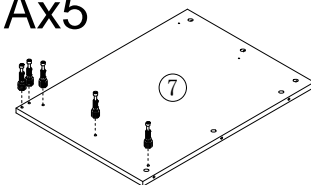
Ax6



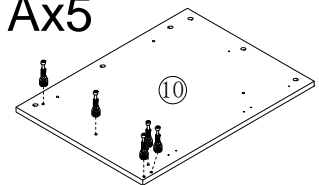
Ax3



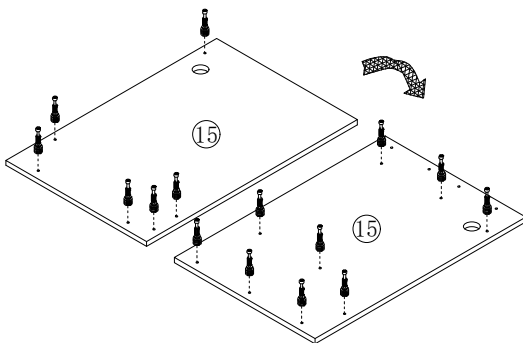
Ax5



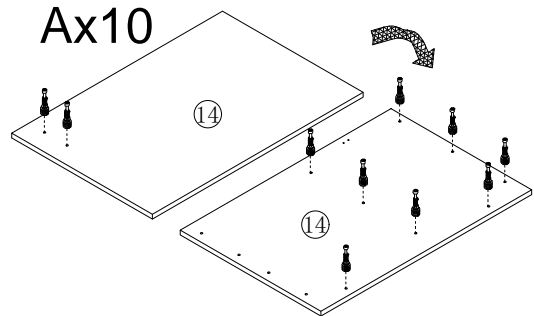
Ax5



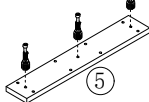
Ax15



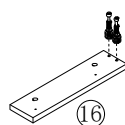
Ax10



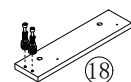
Ax3



Ax2



Ax2



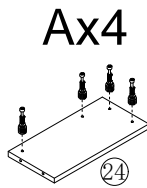
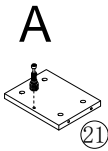
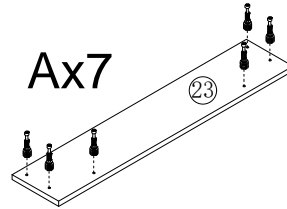
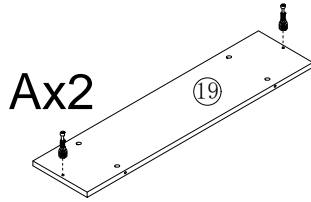
ASSEMBLY INSTRUCTION

Step 2

A 17PCS

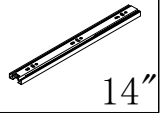


M6*40



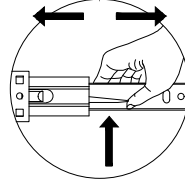
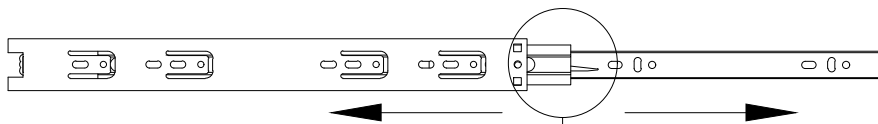
Step 3

F 4PCS



14"

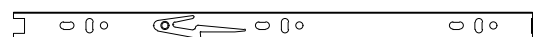
Fx4



F₁



F₂



ASSEMBLY INSTRUCTION

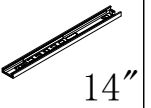
Step 4

C 8PCS

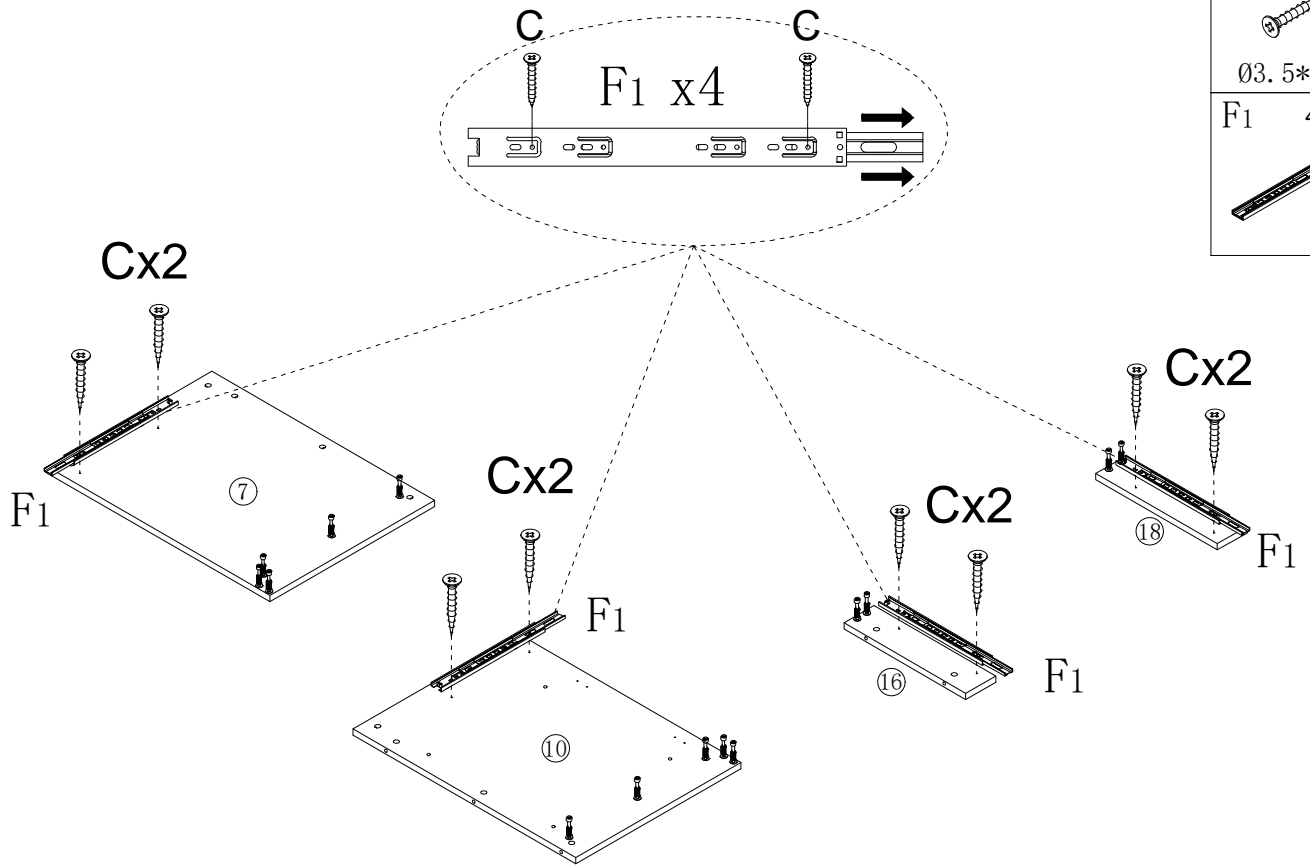


Ø3.5*14

F1 4PCS



14"

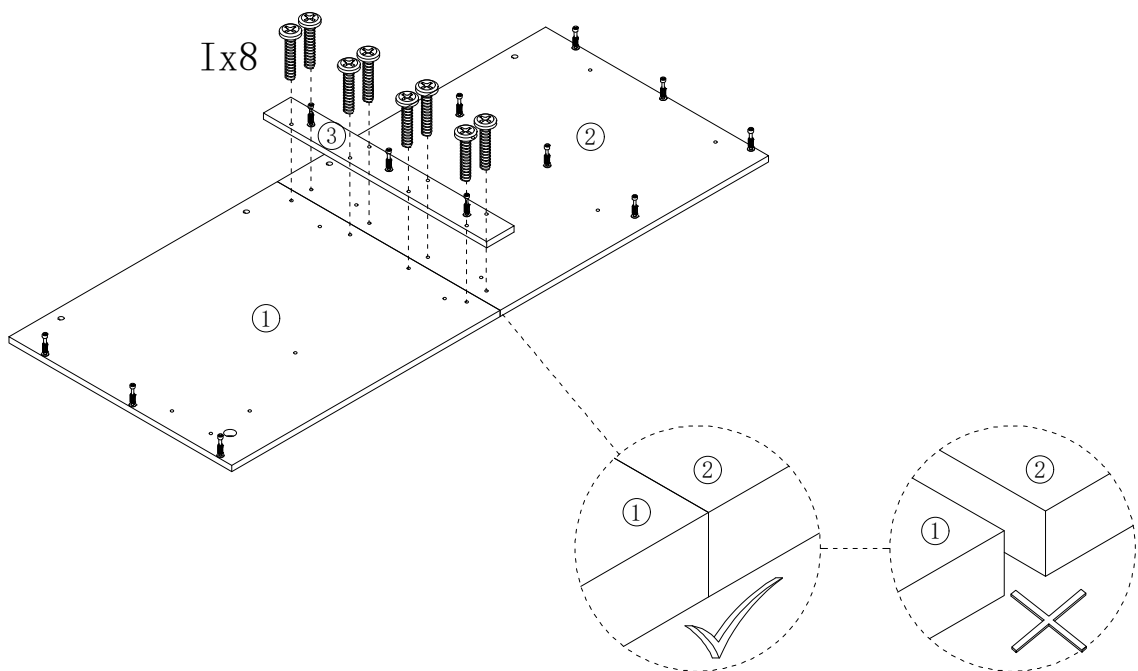


Step 5

I 8PCS




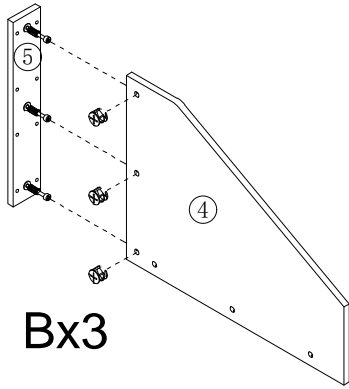
M6*27




ASSEMBLY INSTRUCTION

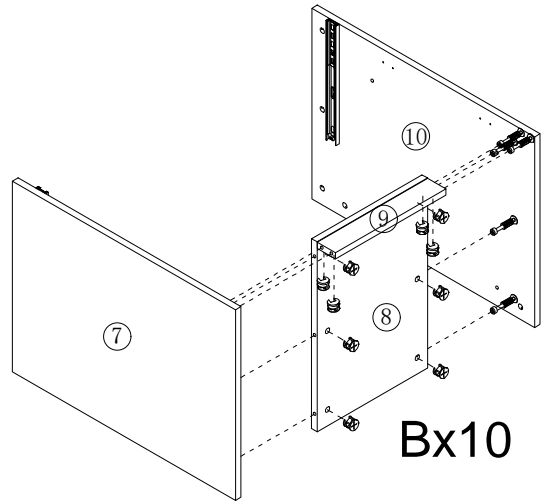
Step 6

B 3PCS

Ø15*9.5




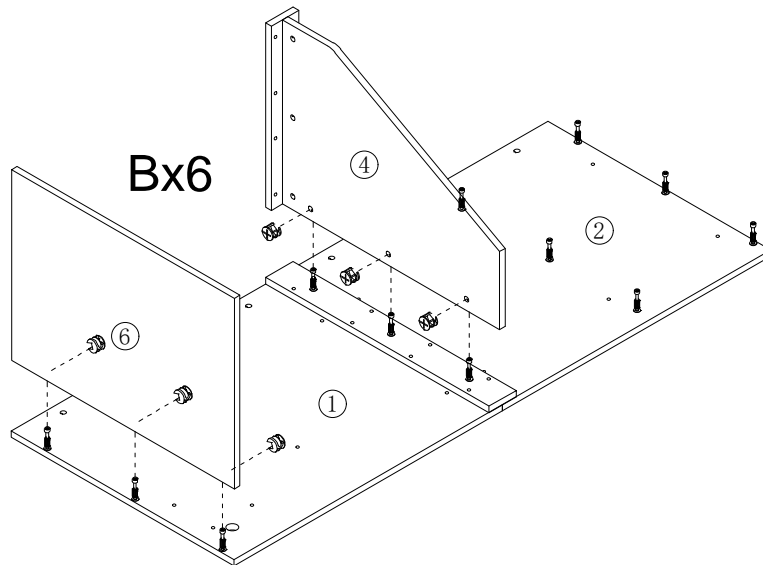
Step 7

B 10PCS

Ø15*9.5




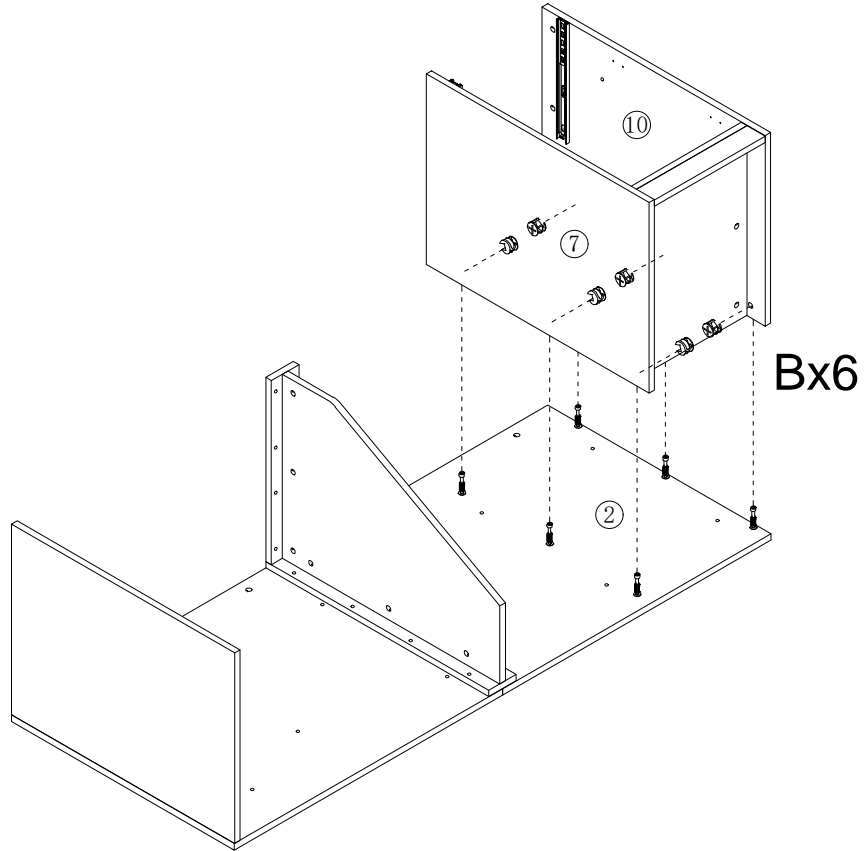
Step 8

B 6PCS

Ø15*9.5




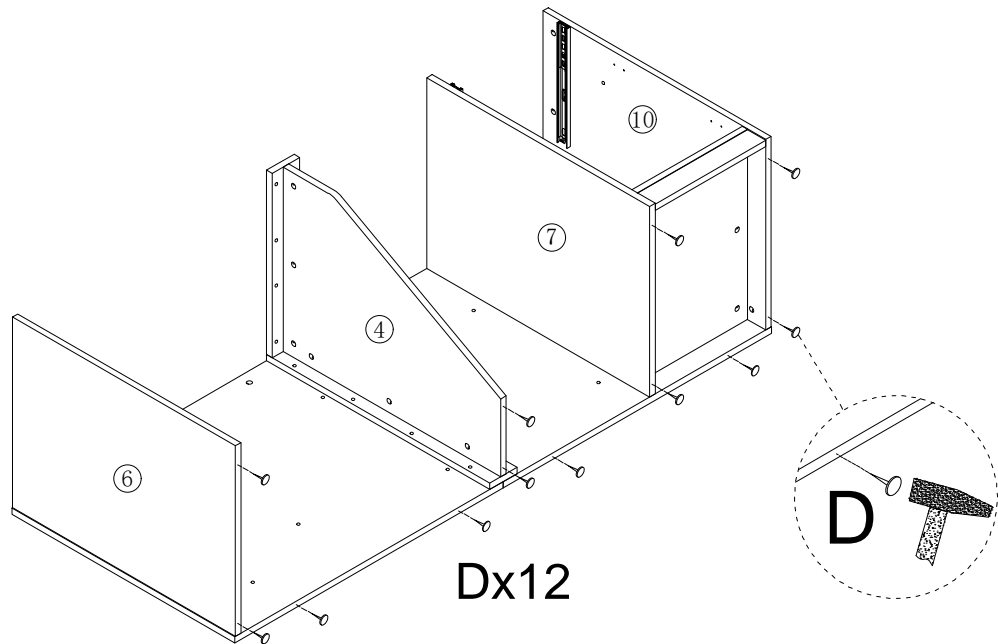
Step 9

B 6PCS

Ø15*9.5



Step 10

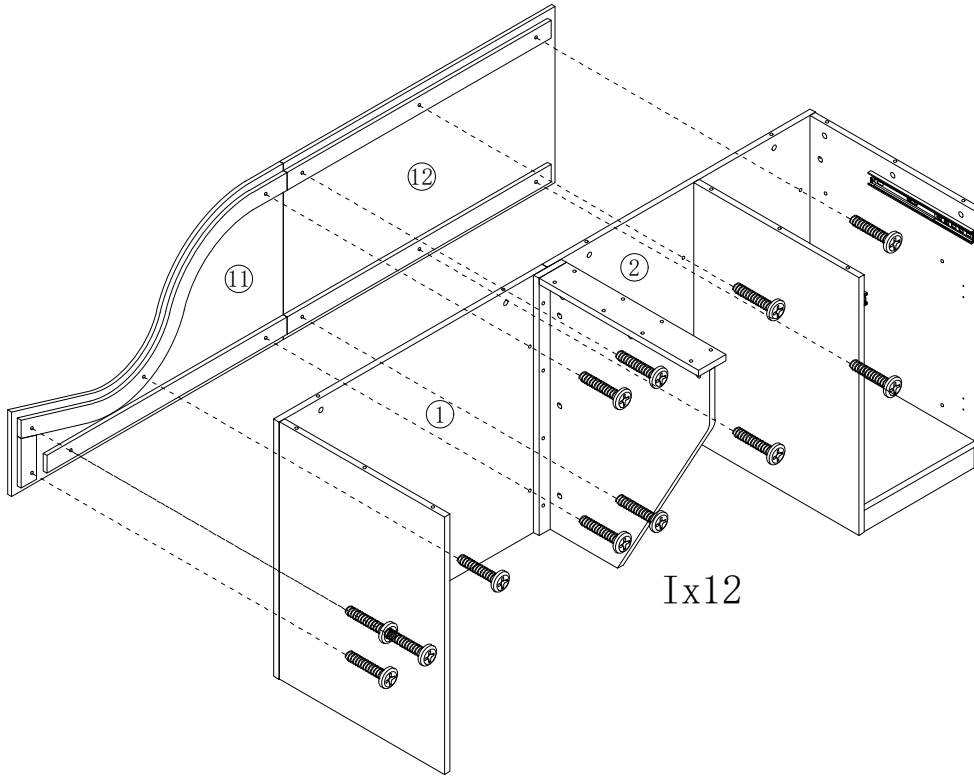
D 12PCS




ASSEMBLY INSTRUCTION

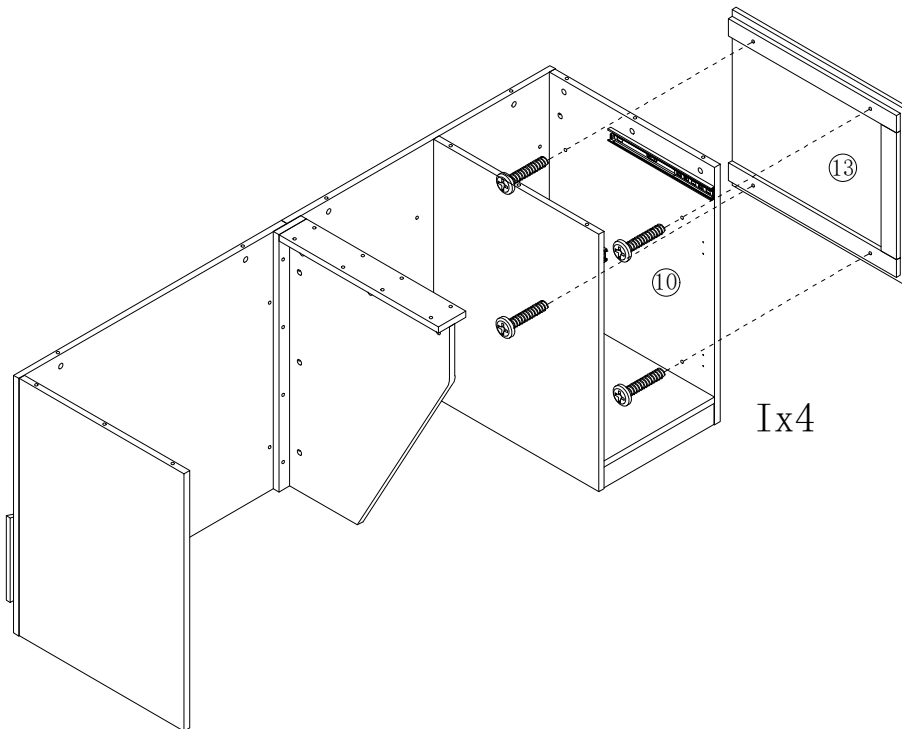
Step 11

I 12PCS
M6*27



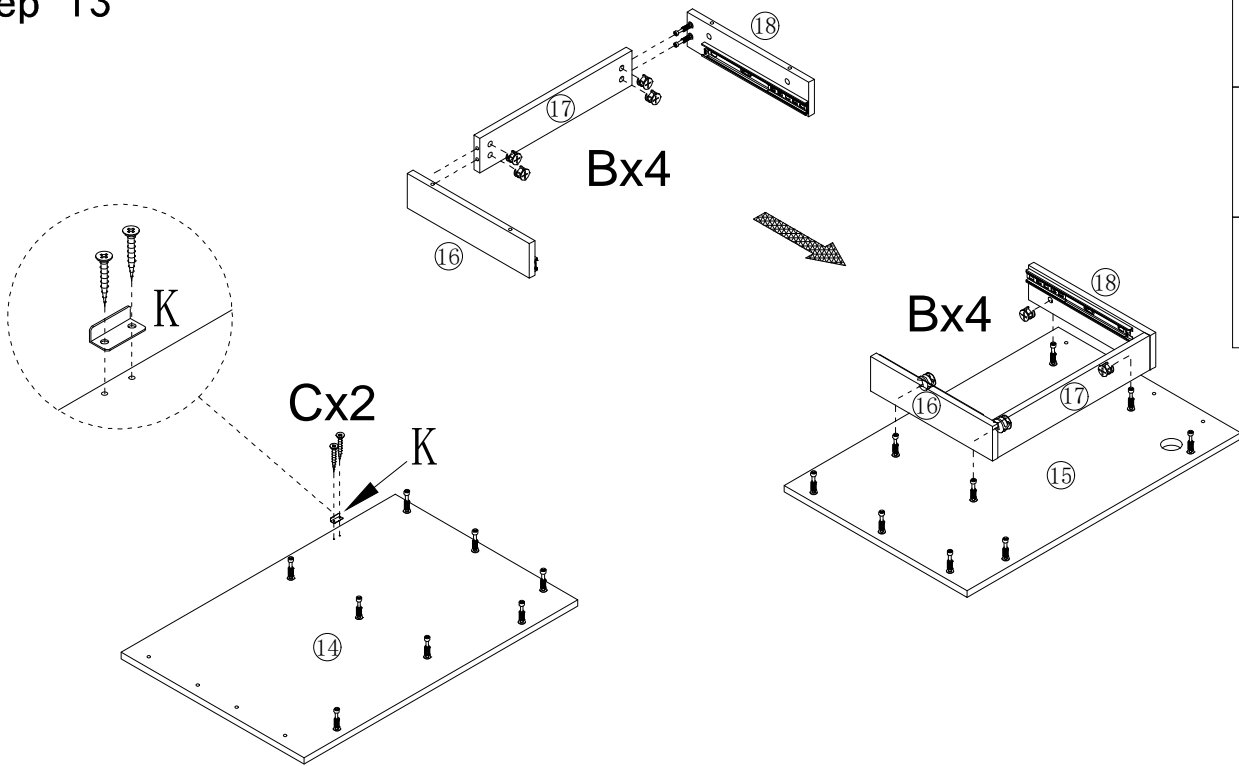
Step 12

I 4PCS
M6*27



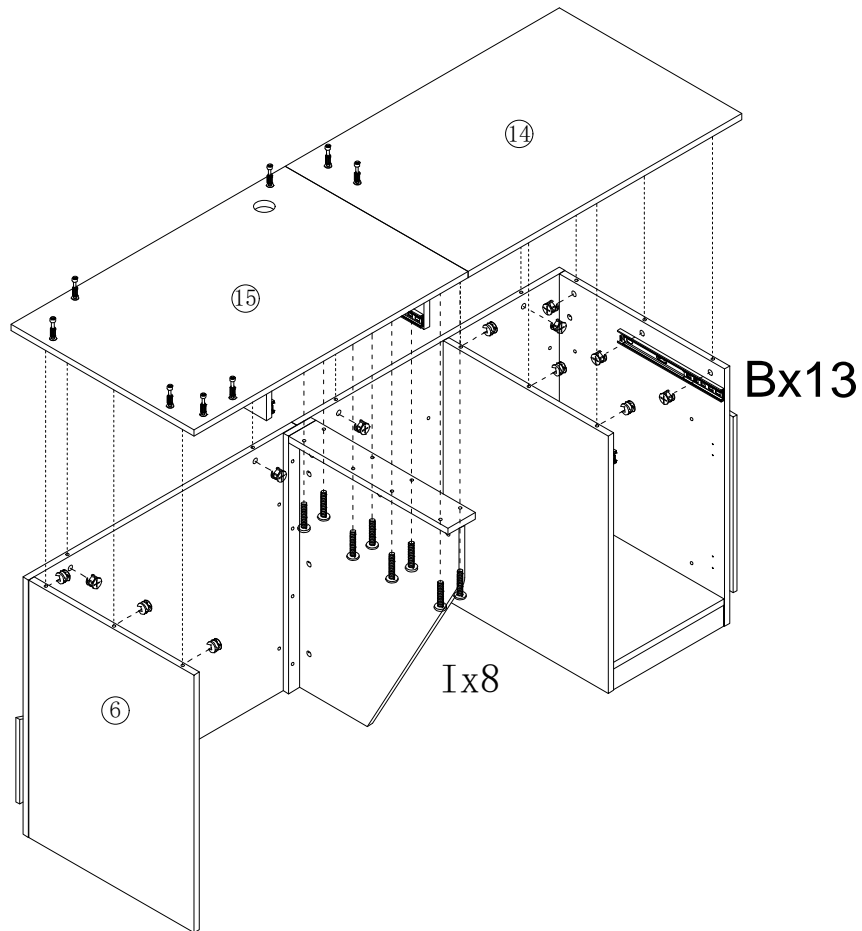
ASSEMBLY INSTRUCTION

Step 13




B	8PCS
	Ø15*9.5
C	2PCS
	Ø3.5*14
K	1PC

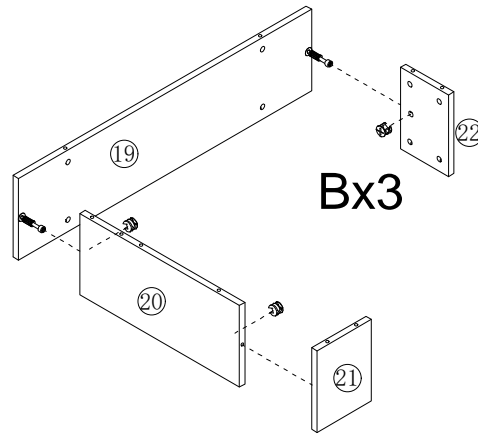
Step 14




B	13PCS
	Ø15*9.5
I	8PCS
	M6*27

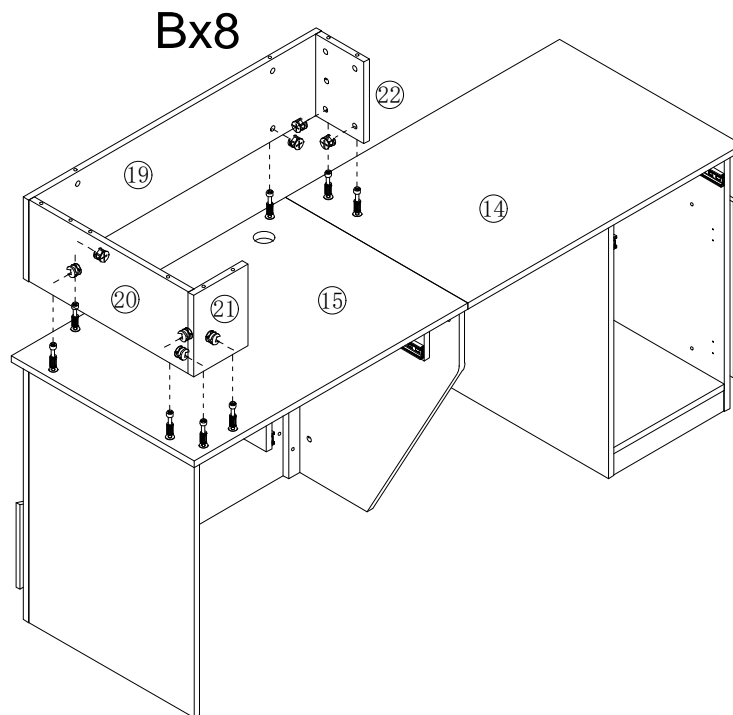
Step 15

B 3PCS

Ø15*9.5



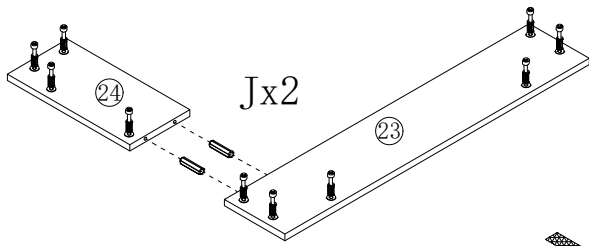
Step 16

B 8PCS

Ø15*9.5

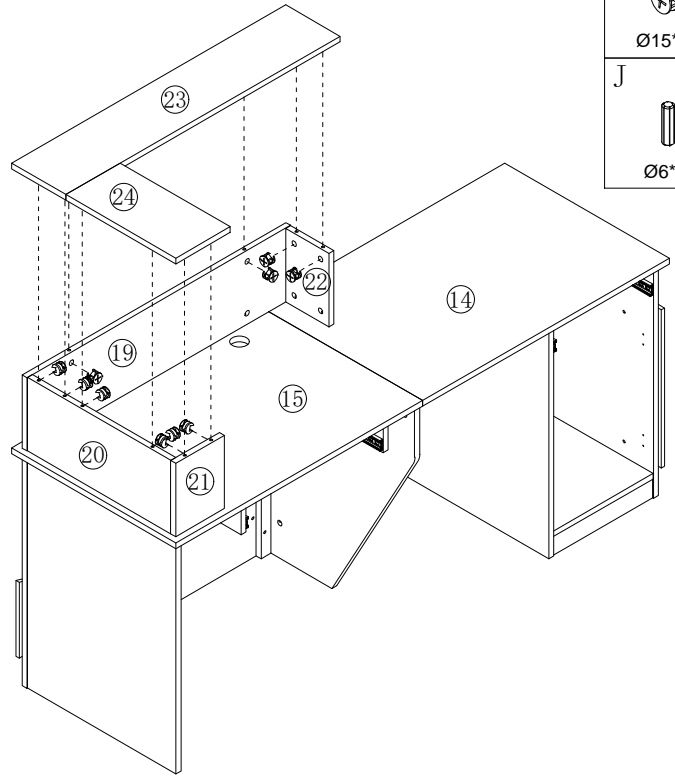


ASSEMBLY INSTRUCTION

Step 17

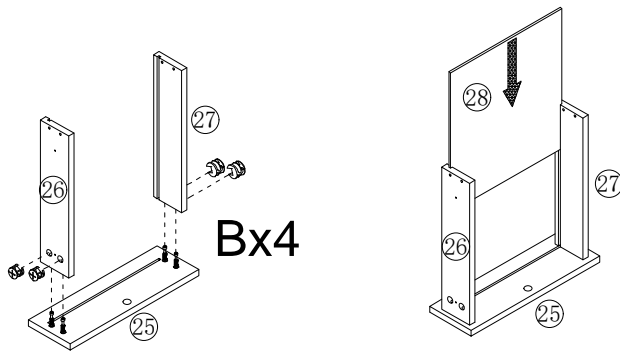


Bx10



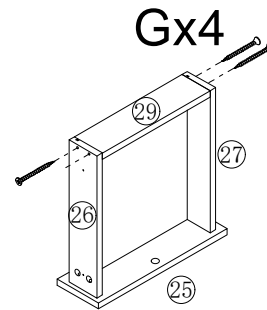
B	10PCS
	Ø15*9.5
J	2PCS
	Ø6*40

Step 18

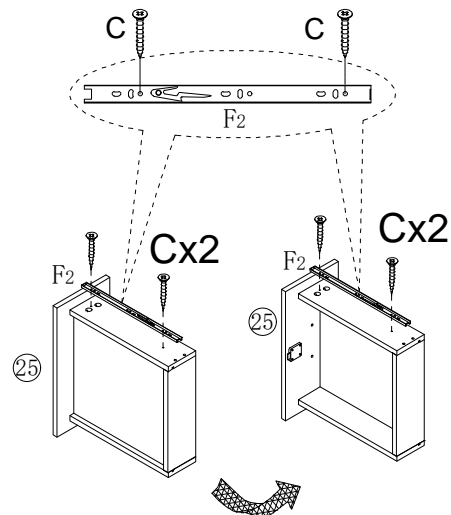
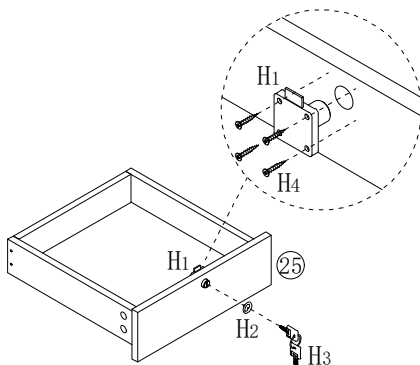


Bx4

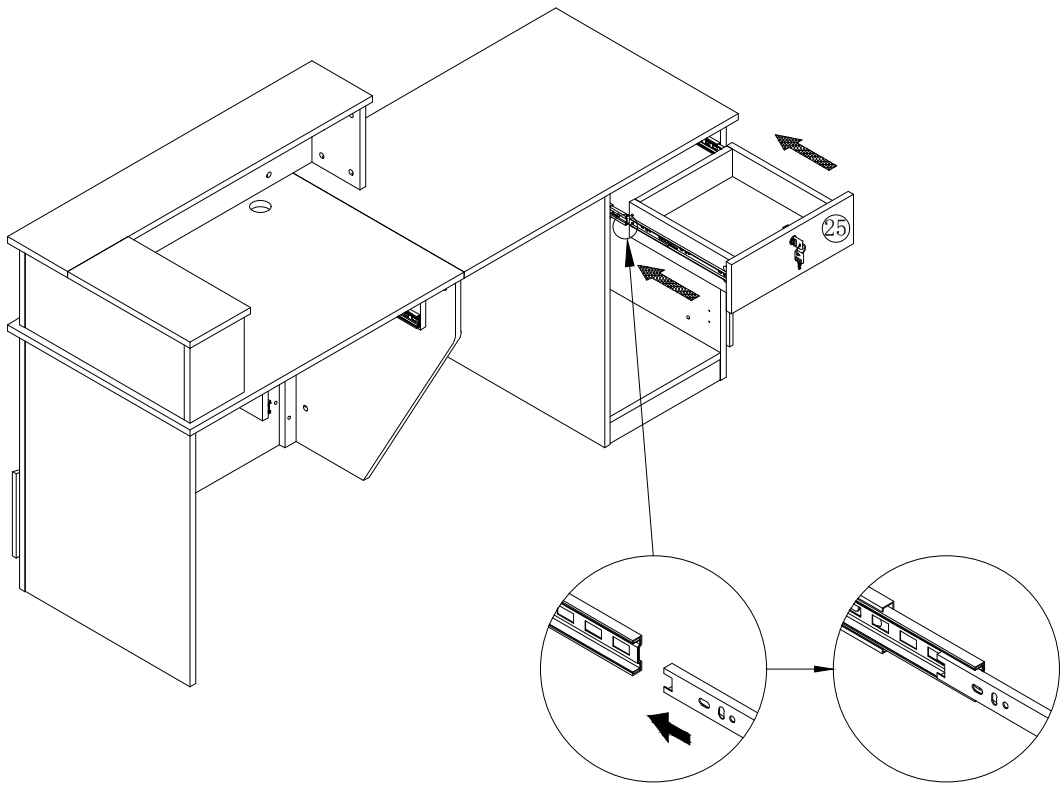
Gx4



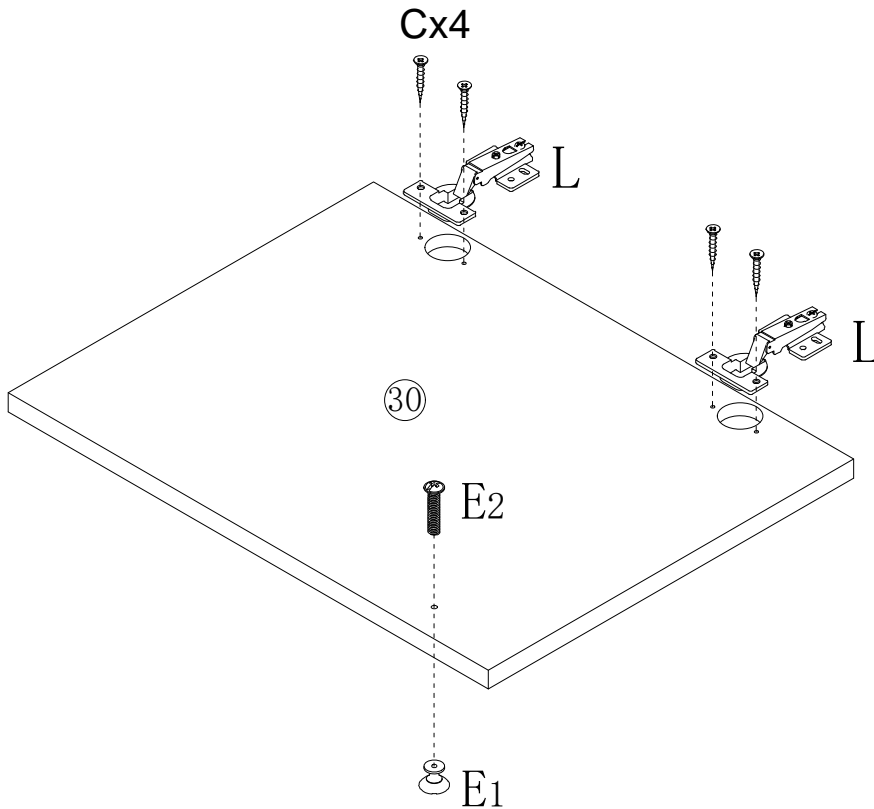
B	4PCS	F ₂	2PCS
	Ø15*9.5		14"
C	4PCS	G	4PCS
	Ø3.5*14		Ø3.5*40
H	1set		
			Ø3.5*20


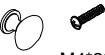



Step 19




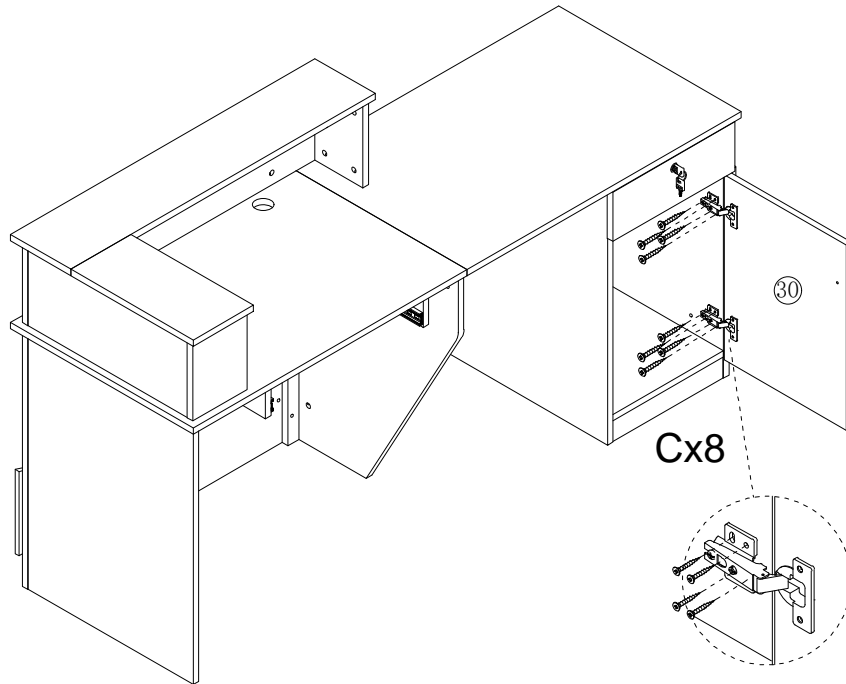
Step 20






C	4PCS
	Ø3.5*14
E	1set
	M4*22
L	2PCS
	

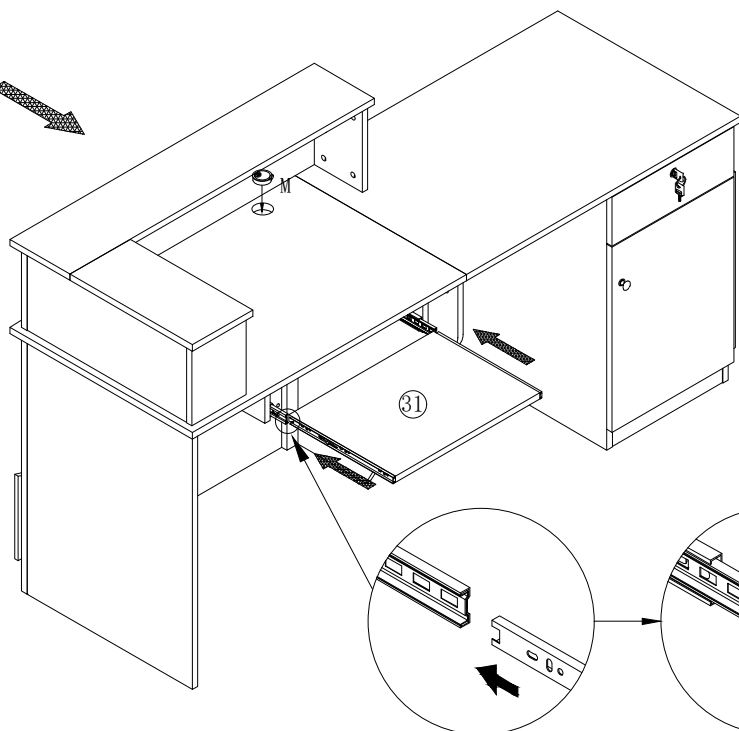
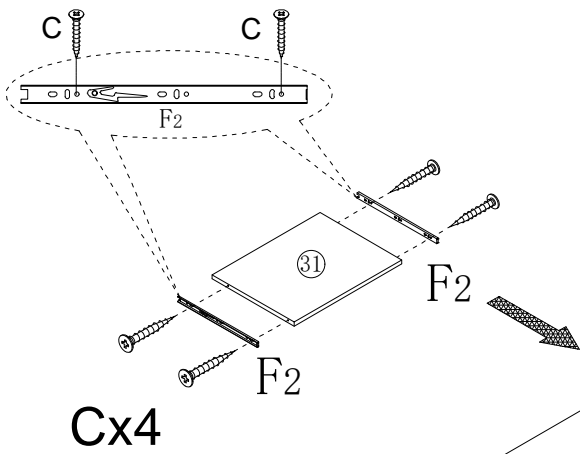
Step 21

C	8PCS
	
Ø3.5*14	

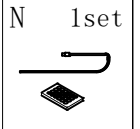


Step 22

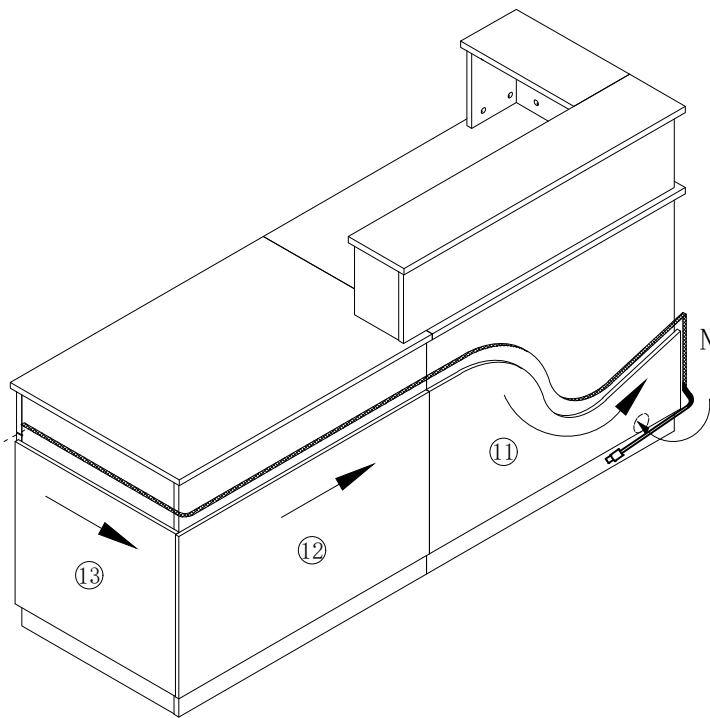
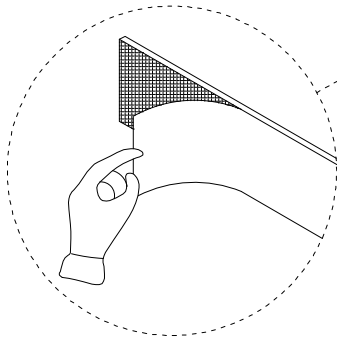
C	4PCS
	
Ø3.5*14	
F2	2PCS
	
14"	
M	1PC
	
Ø50	



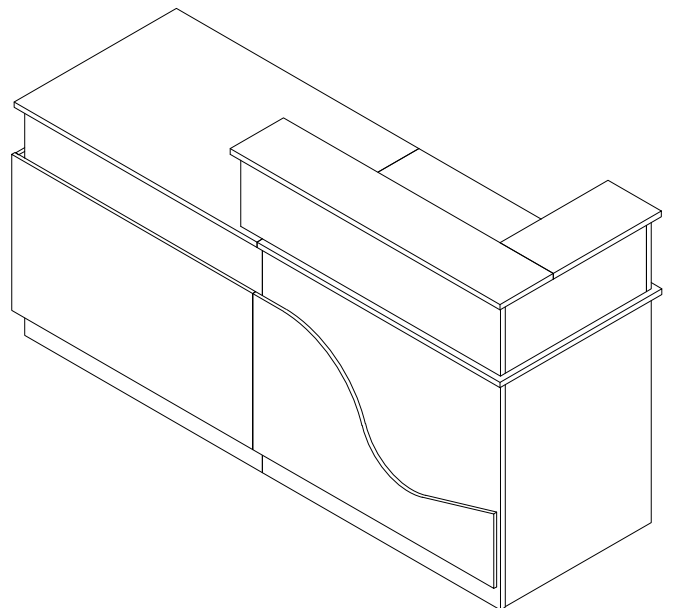
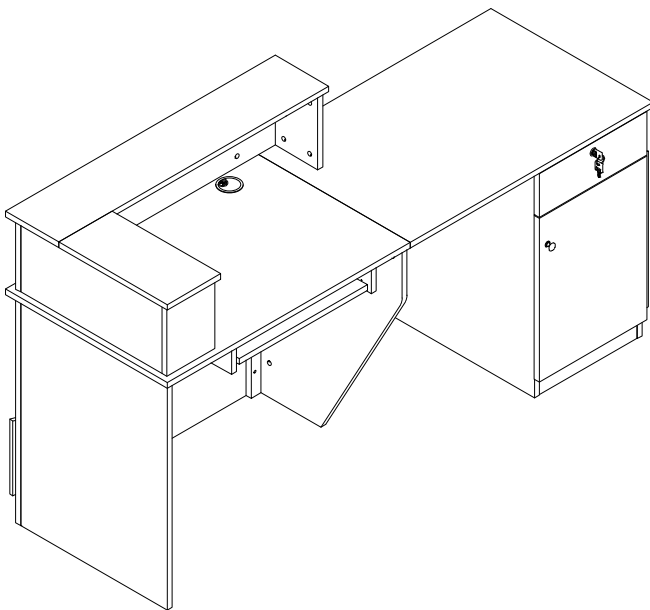
Step 23



Before installing the LED strip Peel off the blue sticker on the back of the LED strip.



Step 24



OK