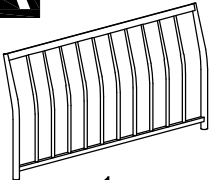
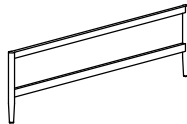
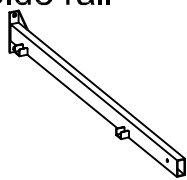
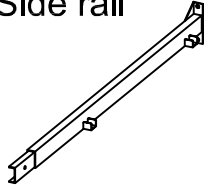
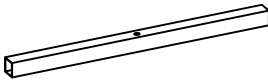




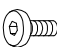
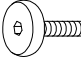


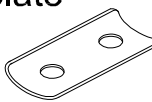
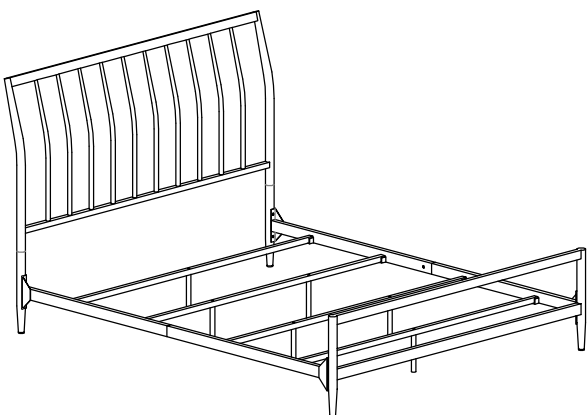


# ASSEMBLY INSTRUCTION

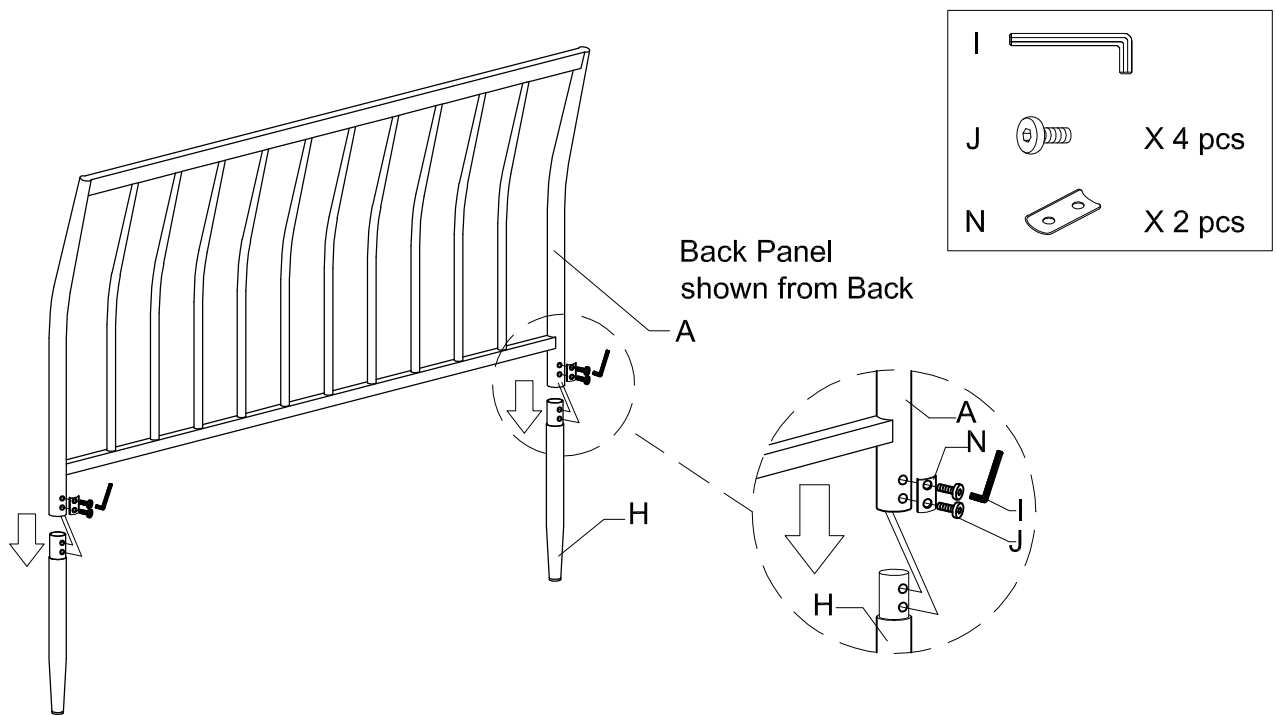
<b>A</b> Headboard  1 pc	<b>B</b> Footboard  1 pc	<b>C</b> Side rail  2 pcs	<b>D</b> Side rail  2 pcs
<b>E</b> Slat  2 pcs	<b>F</b> Slat  2 pcs	<b>G</b> Support leg  6 pcs	<b>H</b> Extension leg  2 pcs
<b>I</b> Allen wrench  1 pc	<b>J</b> Bolt 1/4" X 15 mm  18 pcs	<b>K</b> Bolt 1/4" X 18 mm  8 pcs	<b>L</b> Bolt 1/4" X 44 mm  6 pcs
<b>M</b> Flat washer  28 pcs	<b>N</b> Connecting plate  2 pcs		



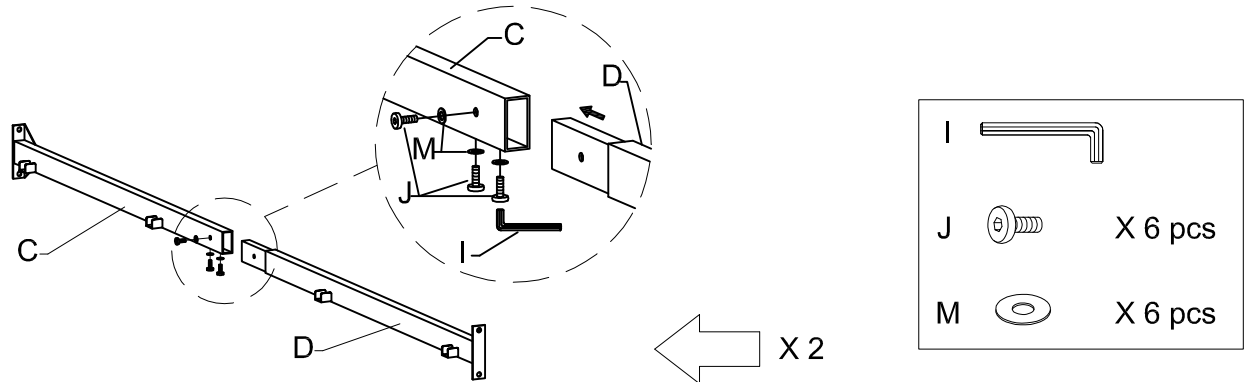
This page lists all the contents included in the box. Please take the time to identify the hardware as well as the individual components to this product. As you unpack and prepare for assembly, place the contents on a carpeted or padded area to protect them from damage.

**1**

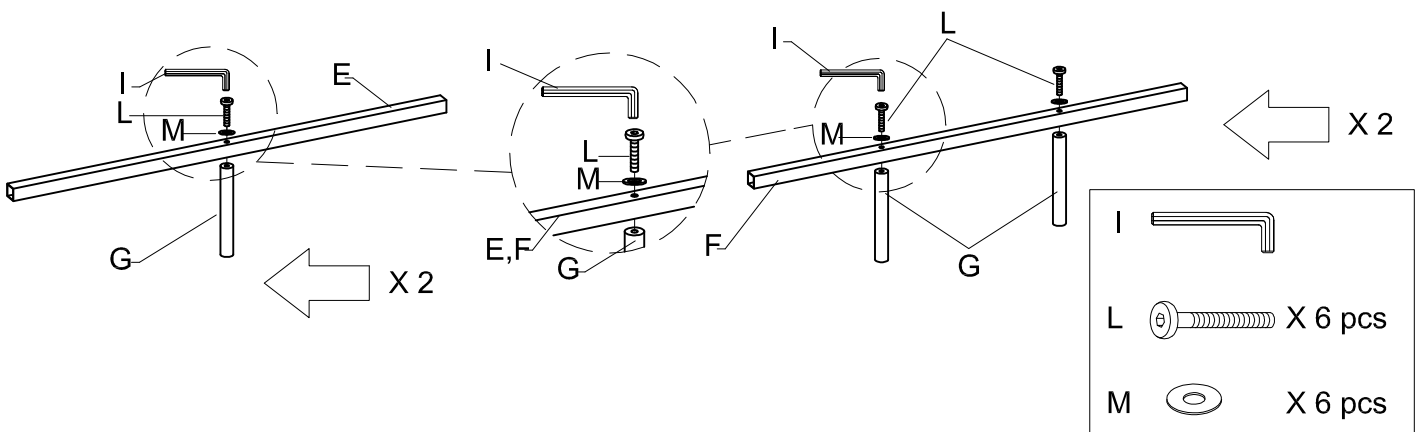
Assemble the extension leg(H) to the headboard (A) with 4 pcs bolt (J) and 2 pcs connecting plate (N) fastened using allen wrench (I).

**2**

Assemble side rail (C) and side rail (D) together by using bolt (J) and flat washer (M) as shown in drawing and tighten with the allen wrench (I).

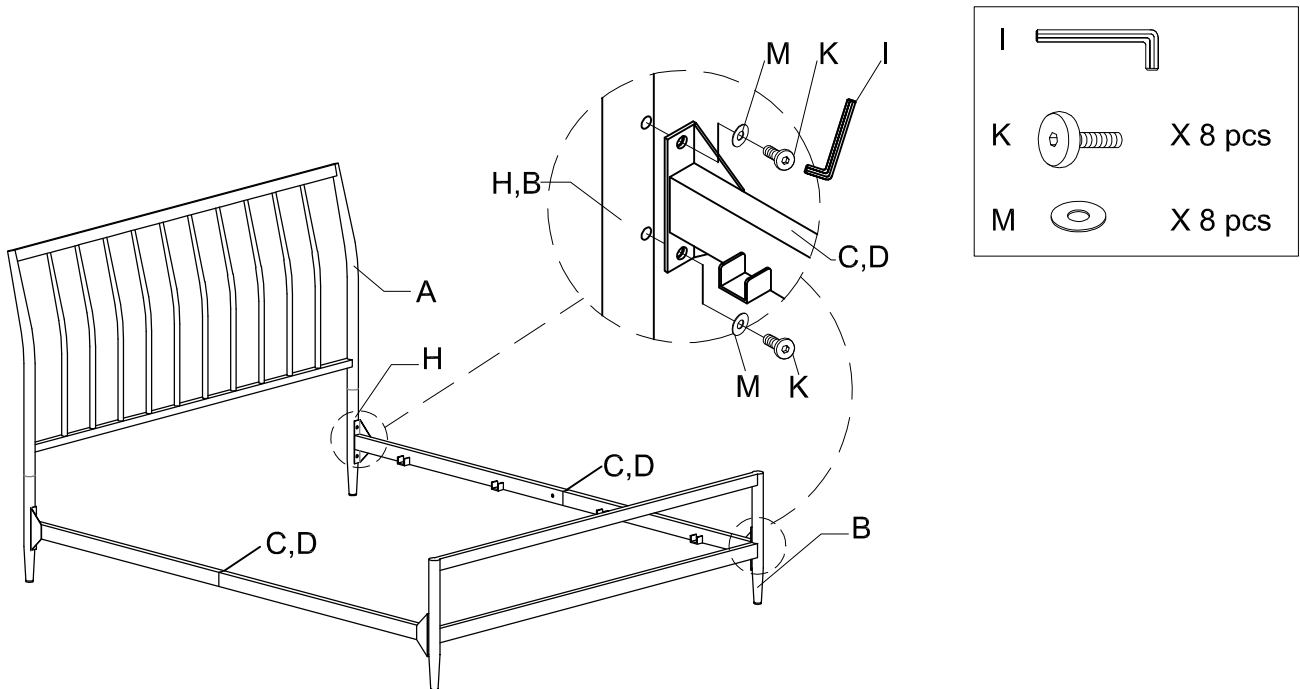
**3**

Assemble the slat (E) and slat (F) to the support leg (G) with 1 pc bolt (L) 1 pc flat washer (M) for each support leg (G) then fastened using allen wrench (I).

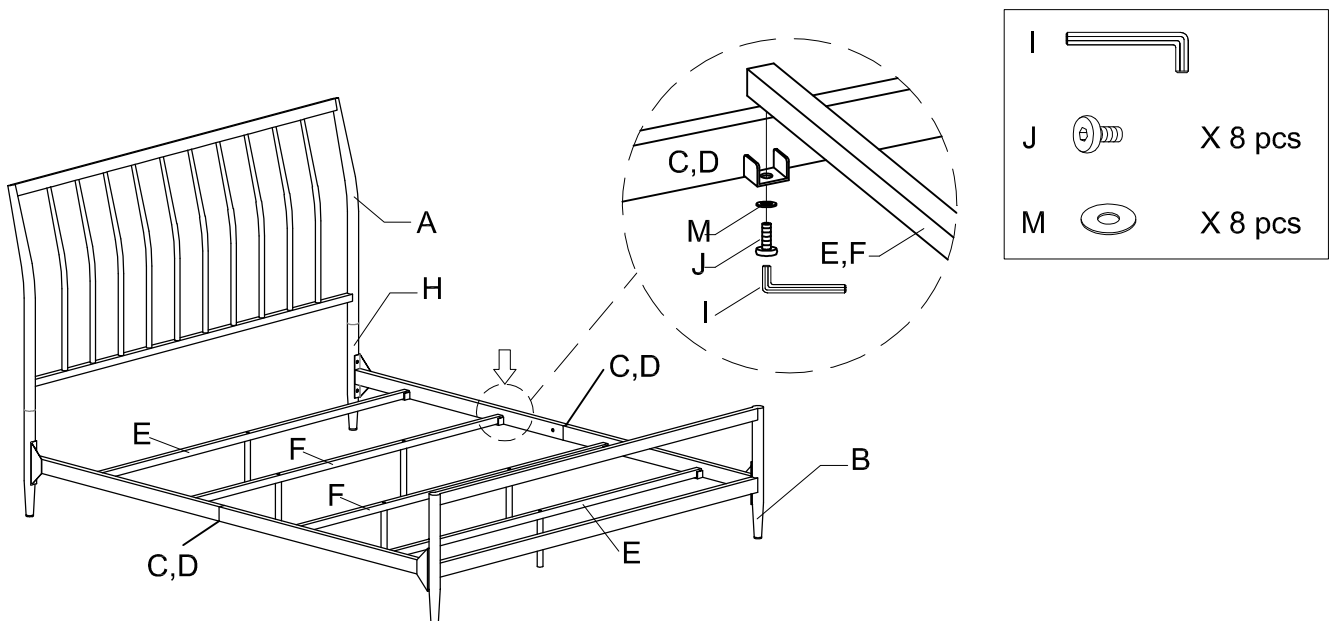


**4**

Assemble the subassembly side rail (C,D) to the extension leg (H) with 4 pcs bolt (K) and 4 pcs flat washer (M); Assemble the subassembly side rail (C,D) to the footboard (B) with 4 pcs bolt (K) and 4 pcs flat washer (M), then fastened using allen wrench (I).

**5**

Assemble the slat (E) and slat (F) to the side rail (C) and side rail (D) with 1 pc bolt (J) and 1 flat washer (M) for each end of slat (E) and slat (F) then fastened using allen wrench (I).



#### Cleaning & Care

Treat surface with care. Surface is resistant to scratches but is not scratch resistant. Clean surfaces with a dry or damp soft cloth. Do not use abrasive cleaners. Hardware may loosen over time. Periodically check that all connections are tight.