

## SEMI FLUSH MOUNT Assembly and Installation Instructions

### CAUTION:

- **BEFORE INSTALLING FIXTURE, MAKE SURE THE POWER TO THE CIRCUIT IS TURNED OFF AT THE MAIN FUSE BOX / CIRCUIT BREAKER UTILITY BOX.**

### Important Safety Instructions:

- These instructions are provided for your safety. It is very important that they are read carefully and completely before beginning the installation of this lighting fixture.
- We strongly recommend that a professional electrician install all direct wire fixtures.
- THIS PRODUCT MUST BE INSTALLED IN ACCORDANCE WITH THE APPLICABLE INSTALLATION CODES BY A PERSON FAMILIAR WITH THE CONSTRUCTION AND OPERATION OF THE PRODUCT AND THE HAZARDS INVOLVED.
- The lighting fixture is meant for indoor use. It must be connected only to 3-wire, single-phase electrical supply systems (provided with Ground wire or equivalent protection system).
- For your safety, it is strongly recommended that two people install the lighting fixture.
- To avoid the risk of fire, do not exceed the recommended lamp wattage.
- The lighting fixture is meant for indoor use, DRY LOCATIONS ONLY.
- **Save these instructions.**

### WARNING:

- **To reduce the risk of fire, electrical shock or personal injury, always turn off light fixture and allow it to cool prior to replacing light bulb.**
- **Do not touch bulb when fixture is turned on. Do not look directly at lit bulb.**
- **Keep flammable materials away from lit bulb.**
- **This lighting fixture contains lead, a chemical known to the State of California to cause cancer, birth defects and other reproductive harm. Wash hands after installing, handling, cleaning or otherwise touching this light fixture.**

### Pre-assembly:

- Remove all parts and hardware from box along with any plastic protective packaging.
- Do not discard any contents until after assembly is complete to avoid accidentally discarding small parts or hardware.
- For your safety and convenience, assembly by two people is recommended.

### Parts and Hardware Included:

- (3) PLASTIC WIRE NUT CONNECTOR (A)
- (1) MOUNTING BRACKET (B)
- (1) GREEN GROUND SCREW (C)
- (2) J-BOX MOUNTING SCREWS (D)
- (1) SEMI- FLUSH MOUNT CANOPY (E)
- (2) MOUNTING STUDS (F)
- (2) KNURLED BALL NUTS (G)

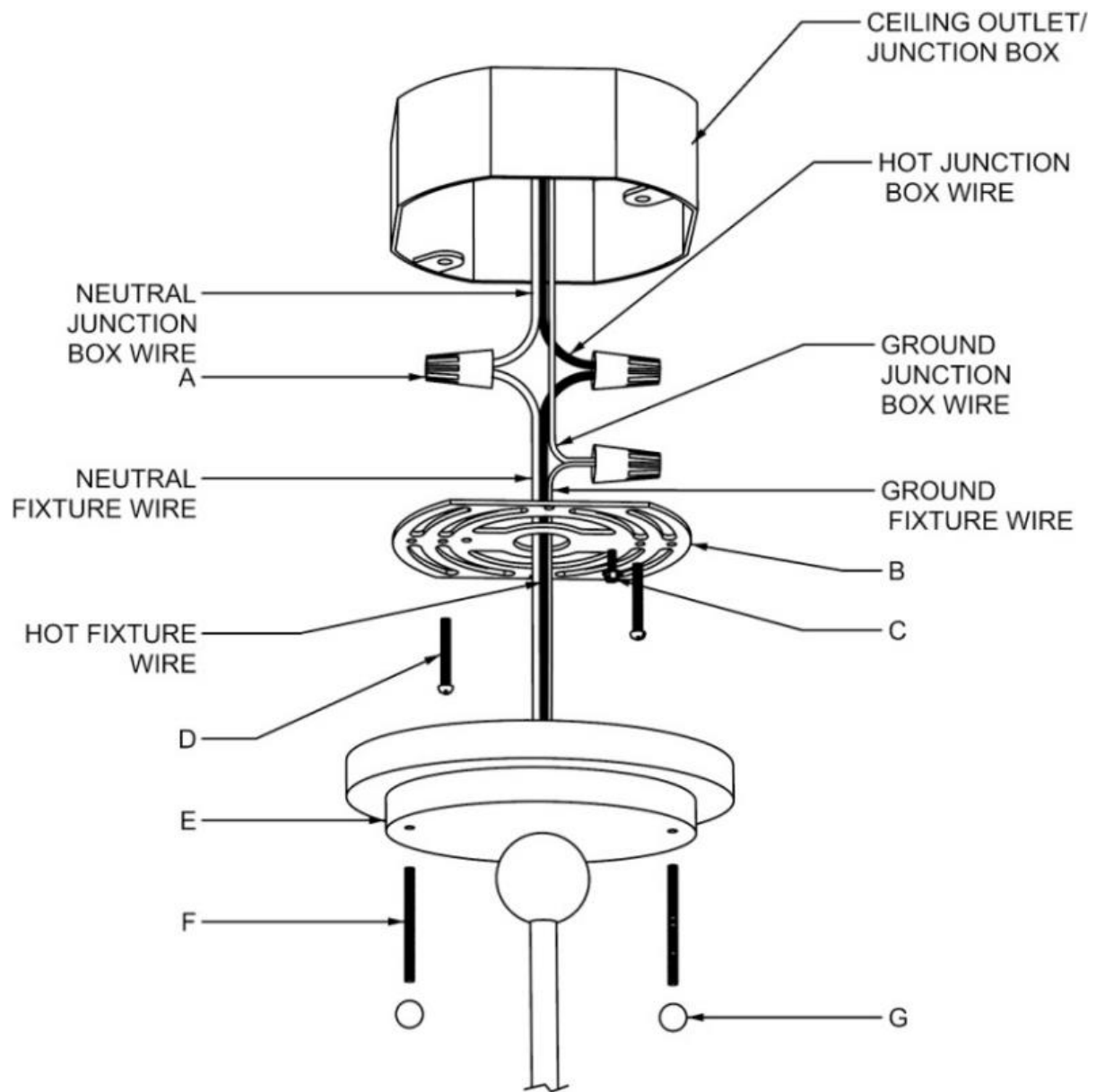
**TOOLS REQUIRED (not included):** Ladder, Phillips Head & Flat Blade Screwdrivers, Pliers, Wire Cutter/Stripper & Electrical Tape.

## **Semi – Flush Mount Installation Instruction: (See Figure 1.)**

1. SHUT OFF THE MAIN ELECTRICAL SUPPLY FROM THE MAIN FUSE BOX/CIRCUIT BREAKER!
2. Pull the power supply wires out from the outlet junction box. Fasten the MOUNTING BRACKET (B) to the outlet junction box using J-BOX MOUNTING SCREWS (D).
3. Carefully inspect the chandelier fixture wires. The NEUTRAL FIXTURE WIRE has FINE LONGITUDINAL RIDGES running along its length. The HOT FIXTURE WIRE is SMOOTH and the bare copper wire is the GROUND WIRE. If you have any doubt and cannot identify the power-supply wires with confidence, then we recommend that you ask an electrician and that you not continue with the installation.
4. Gently pull existing wire down from the ceiling junction box and allow wires to hang. The HOT or LIVE wire is usually black. The NEUTRAL wire is usually white. Check to see if there is a ground wire that is usually green or green with a yellow stripe or exposed copper metal wire. If needed, use a pair of wire strippers to remove about 1/2 inches of insulation from each wire.
5. Attach the GROUND WIRE from the fixture to the GROUND JUNCTION BOX WIRE from the ceiling outlet junction box (J-box) (usually green insulation or bare wire). Fasten each together with a PLASTIC WIRE CONNECTOR (A) by twisting the connector in a clockwise direction and wrap the connection with electrical tape. Be sure that no wire strands are exposed. If your outlet junction box DOES NOT has a GROUND WIRE, be sure to insert the GREEN GROUND SCREW (C) into the MOUNTING BRACKET (B), marked as "GND", facing downward and wrap the fixture's bare ground wire around the GREEN GROUND SCREW (C). Tighten screw to clamp ground wire between ground screw head and MOUNTING BRACKET (B). **IT IS IMPERATIVE THAT THE JUNCTION BOX IN YOUR HOME BE PROPERLY GROUNDED!**
6. Connect the NEUTRAL FIXTURE WIRE to the NEUTRAL JUNCTION BOX WIRE (usually white insulation). Fasten each together with a PLASTIC WIRE CONNECTOR (A) by twisting the connector in a clockwise direction and wrap the connection with electrical tape. Be sure that no wire strands are exposed.
7. Connect the HOT FIXTURE WIRE to the HOT JUNCTION BOX WIRE (usually black insulation). Fasten each together with a PLASTIC WIRE CONNECTOR (A) by twisting the connector in a clockwise direction and wrap the connection with electrical tape. Be sure that no wire strands are exposed. **DO NOT REVERSE THE HOT AND NEUTRAL CONNECTIONS OR SAFETY WILL BE COMPROMISED.**
8. Check the wiring connections and if all looks good, gently tuck the wire connections neatly into the ceiling outlet junction box.
9. Screw the MOUNTING STUDS (F) unto the MOUNTING BRACKET (B). Line-up holes on the CANOPY (E) WITH MOUNTING STUDS (F) and pass them through until the CANOPY (E) is flushed to the ceiling. Secure CANOPY (E) into place with KNURLED BALL NUTS (G).
10. Screw LIGHT BULBS into the THREADED SOCKETS and make sure they do not exceed the maximum wattage specified on the fixture's wattage rating level.
11. Restore power to ceiling outlet junction box and test fixture.
12. Installation is complete.

### Care Instructions:

- Wipe clean with a soft, dry cloth or static duster.
- Always avoid the use of harsh chemicals or abrasive cleaners as they may cause damage to the fixture's finish.



SEMI- FLUSH MOUNT

FIGURE 1.

NOTE:  
The drawing of the canopy  
is for reference only.