

ASSEMBLY INSTRUCTIONS COASTER FINE FURNITURE



Fine Furniture for every stage of life

110578

Counter Height Table

ITEM: 110578



ASSEMBLY INSTRUCTIONS

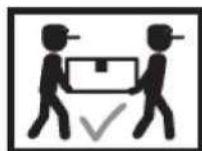
ASSEMBLY TIPS:

1. Remove hardware from box and sort by size.
2. Please check to see that all hardware and parts are present prior to start of assembly.
3. Please follow attached instructions in the same sequence as numbered to assure fast & easy assembly.



WARNING:

1. Don't attempt to repair or modify parts that are broken or defective. Please contact the store immediately.
2. This product is for home use only and not intended for commercial establishments.



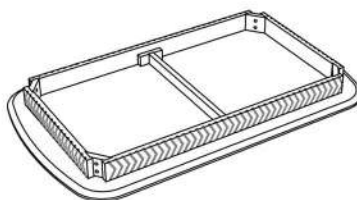
ASSEMBLY TIME

15 MINUTES

PARTS IDENTIFICATION

A

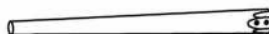
TOP



1PC

B

LEG



4PCS

HARDWARES IDENTIFICATION

1

BOLT
(M8 x 70mm - RBW)



8PCS

2

FLAT WASHER
(M8 - RBW)



8PCS

3

ALLEN WRENCH
(M5 - BLK)

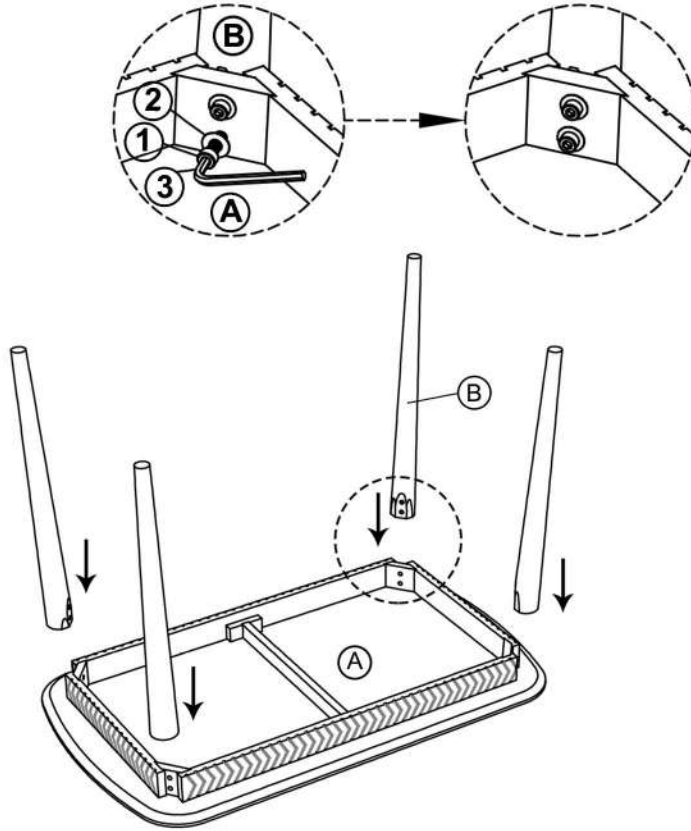


1PC

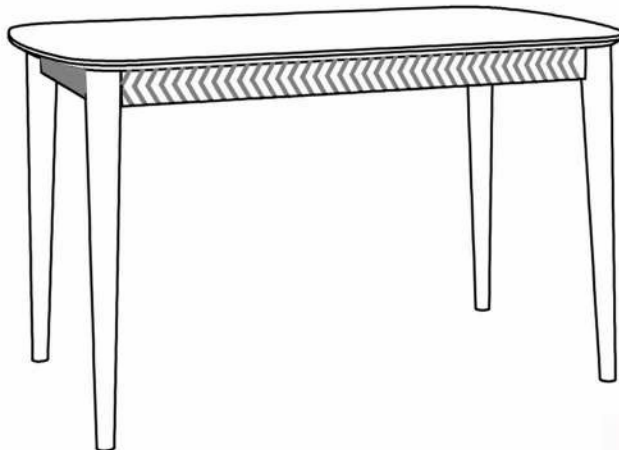
ITEM: **110578**

ASSEMBLY INSTRUCTIONS

STEP 1

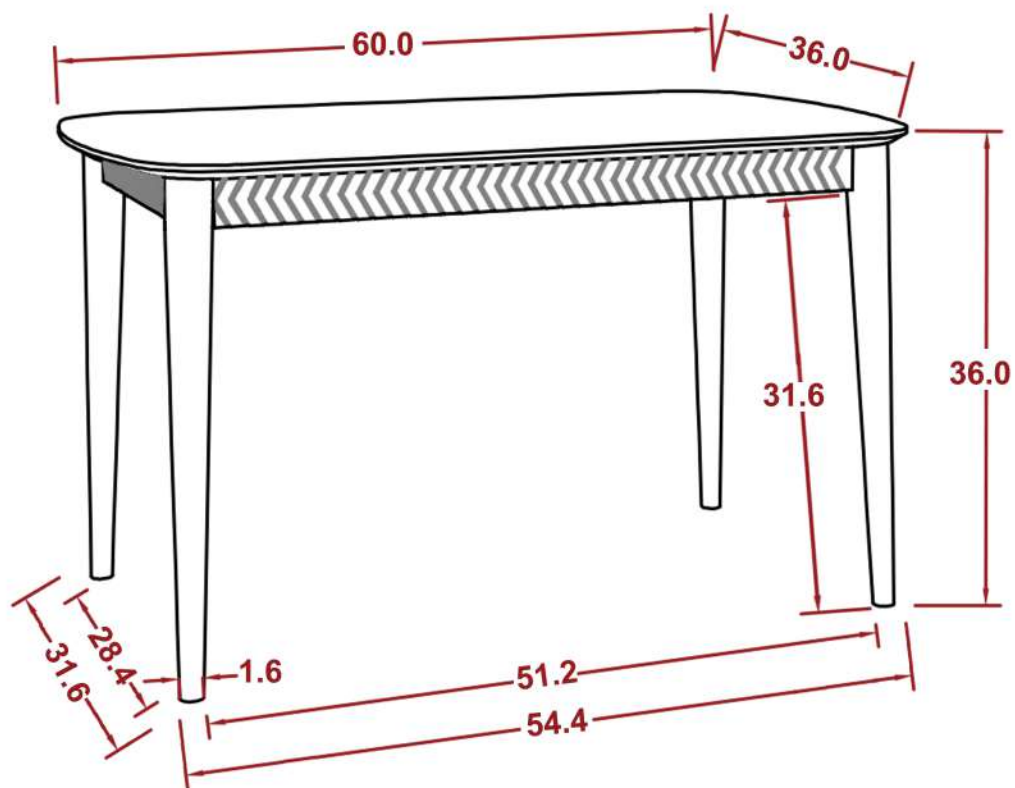


STEP 2
COMPLETE



ITEM: 110578

COASTER
FINE FURNITURE



Note : Dimension Tolerance $\pm 5\%$