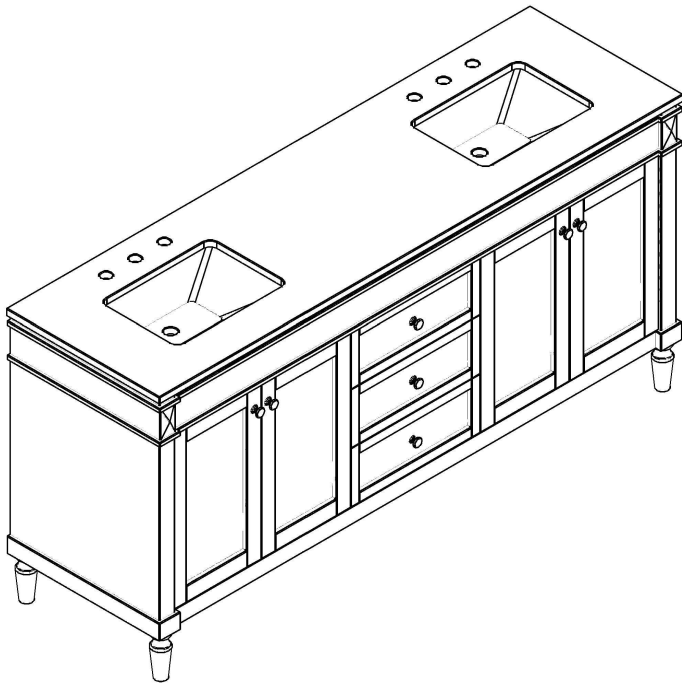
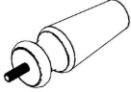

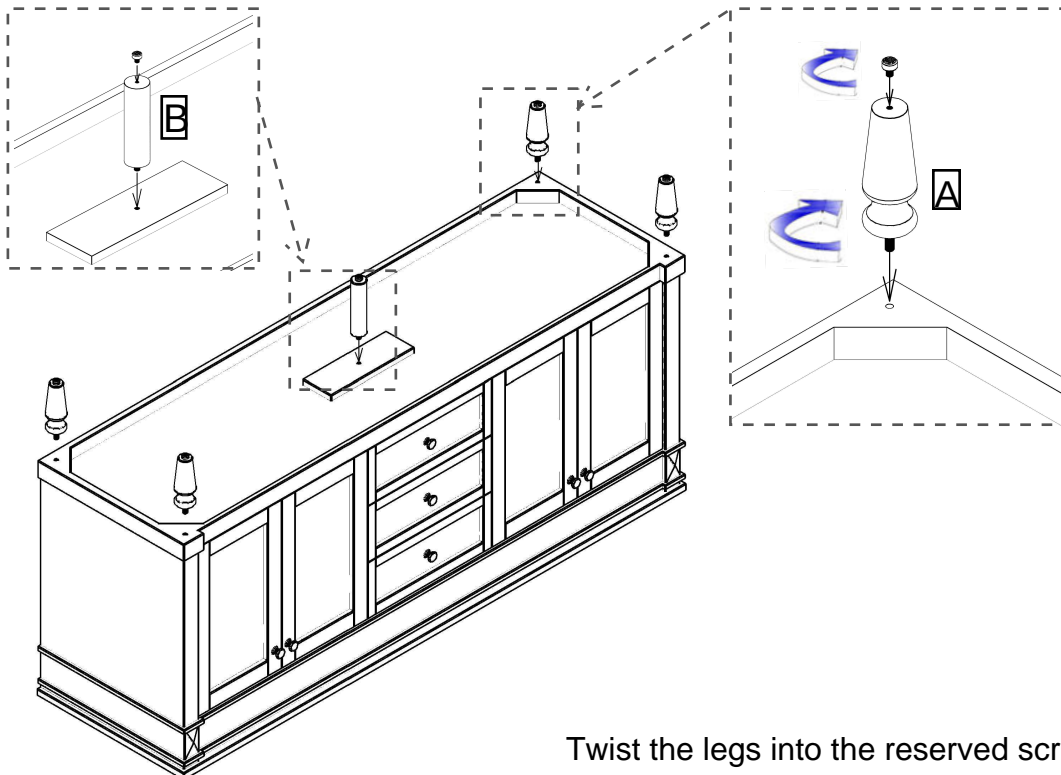


Assembly Instructions



PART#		PARTS	QTY
A	Feet		4pcs
B	Feet		1pc



Attention : Carefully lift the vanity off the floor to get enough clearance for the second person to turn the leveler. Turn the foot clockwise to shorten the leg and counterclockwise to lengthen it. Adjust each foot as needed to level it.

Twist the legs into the reserved screw hole on the bottom