

ASSEMBLY INSTRUCTIONS








DESCRIPTION : MANUAL LOVESEAT WITH CONSOLE
(METAL CUP HOLDER+UPH. STORAGE BOX)

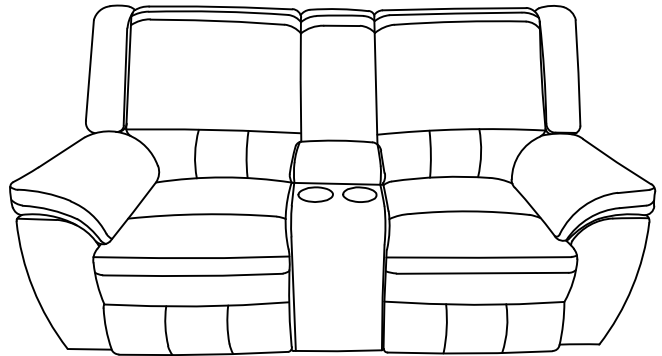
PAGE 1 OF 1

Read instructions carefully prior to assembly.

Thank you for purchasing this quality product. Check carefully for small parts which may have come loose during shipment. Identify and count all parts as specified below.

It is recommended to use two or more persons during the assembly process.

Parts List			
NO.	DESCRIPTION	SKETCH	Q'TY
A	Seat		1 PC
B	Left Backrest		1 PC
C	Console Backrest		1 PC
D	Right Backrest		1 PC
E	Left Wing		1 PC
F	Right Wing		1 PC
G	Knob Screws		2 PCS

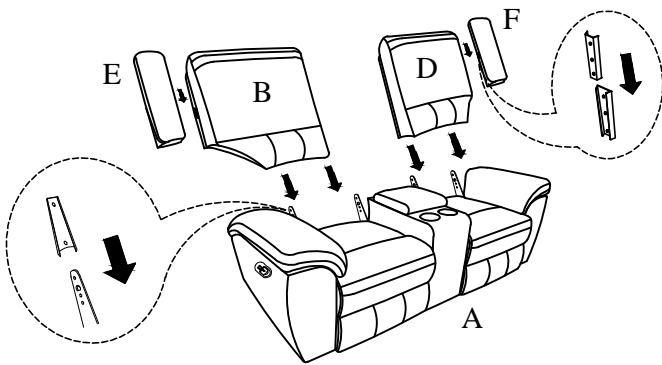


Notes : Remove or cut all Cable ties at the bottom

Step 1:

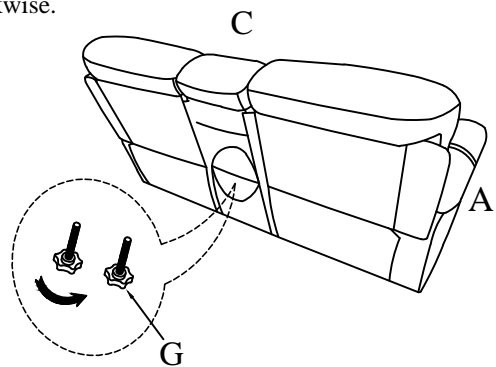
Attach Backrest (B/D) to the Seat (A).

Attach Left/Right Wing (E/F) to the Left/Right Backrest (B/D).



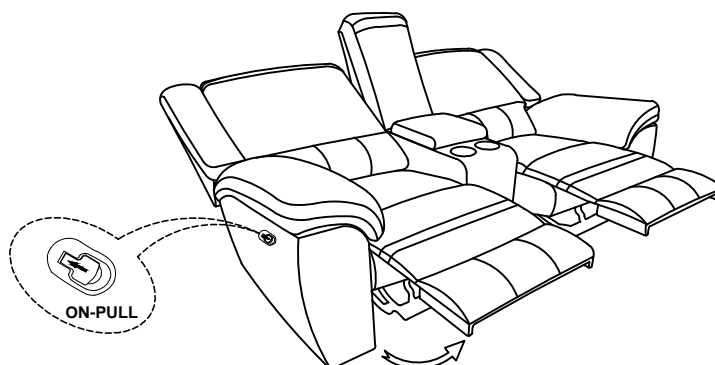
Step 2:

1. Take out the Knob Screws (G) at the Console Backrest (C) then place the Console Backrest (C) to right location and attach to the Seat (A) by turning the Knob Screws (G) clockwise.



Step 3:

1. Open the Footrest by pulling out the Switch.



Cleaning instructions: Clean with the soft cloth

Made in Vietnam