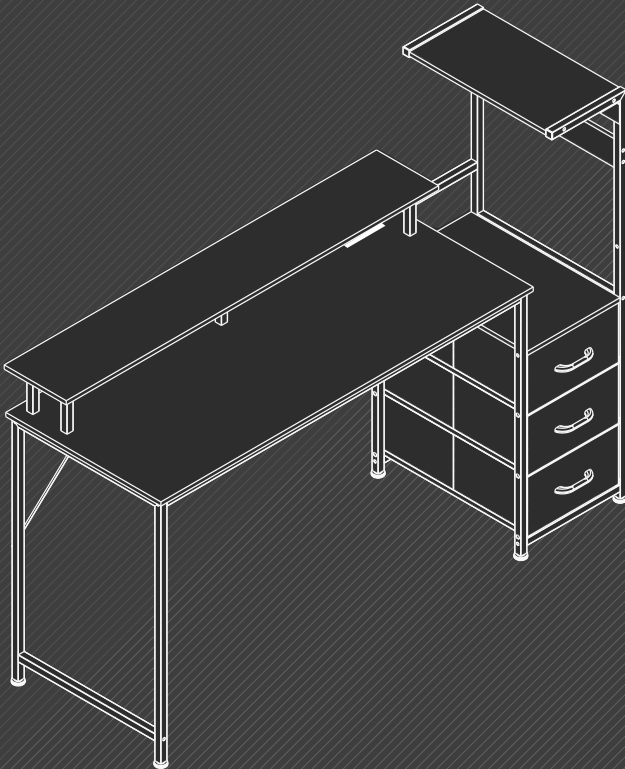




COMPUTER DESK

59"



USER MANUAL



Contents

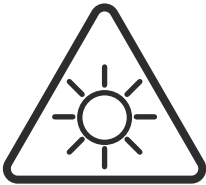
TOPIC		PAGE
01	SAFETY INSTRUCTIONS	01-01
	1-1 Thank You For Choosing Our Product	01
	1-2 Precautions	01
02	INSTALLING MODULES	02-42
	2-1 Disassembly Diagram	02
	2-2 Parts List	03-04
	2-3 Assembly Instructions	05-42
03	CUSTOMER SERVICE	43
	3-1 30-Day Return Policy	43
	3-2 1-Year Warranty	43
	3-3 Quick Response Within 24 Hours	43
04	PROBLEMS YOU MAY ENCOUNTER	44
	4-1 Problems You May Encounter	44

Safety Instructions

Thank You For Choosing Our Product

Before assembly, please read this USER MANUAL first, and check according to Parts List to make sure all parts are included. Feel free to contact us if you have any concerns or questions about your product, we are always ready to help. Your satisfaction is our first priority!

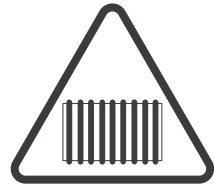
Precautions



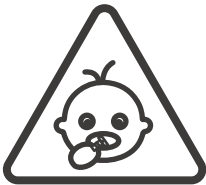
- Avoid long-term direct sunlight exposure.



- Keep away from sharp objects.



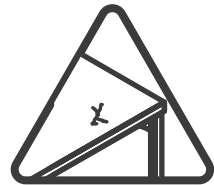
- Keep away from heat.



- Keep infants/children away from assembly parts to avoid choking and suffocation.

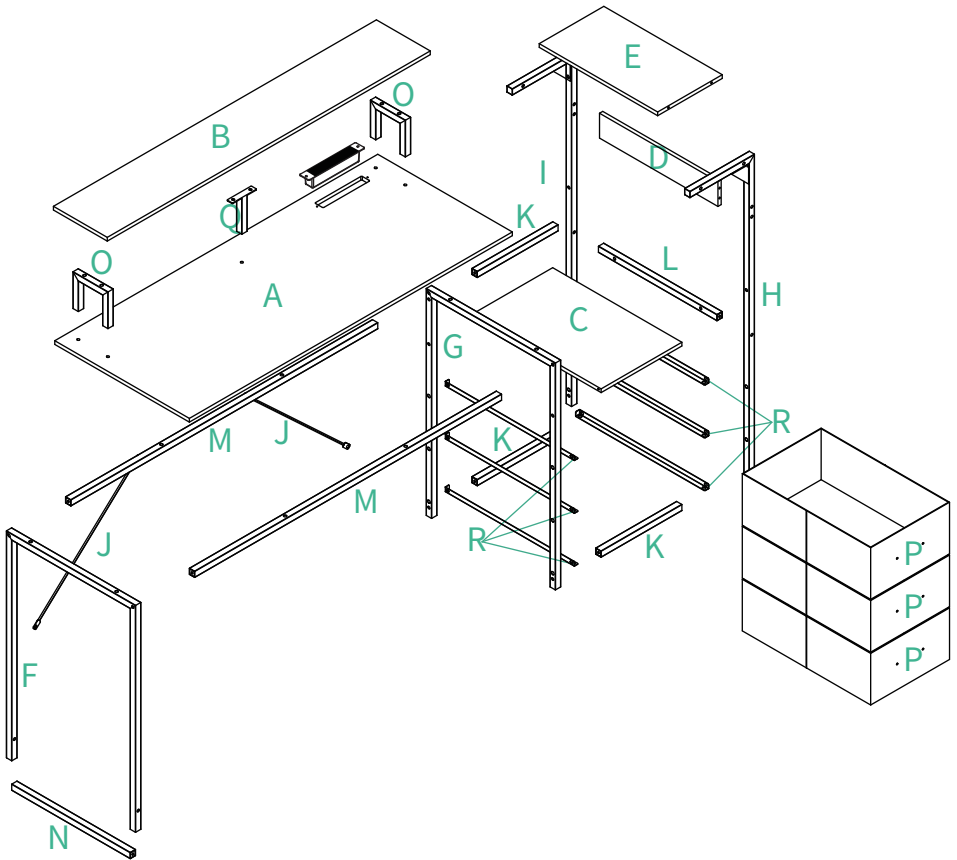


- Keep away from corrosive substances.



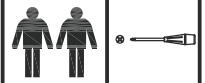
- Pay attention to avoid over-tightening fasteners, or they may induce cracking within the board.

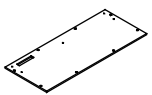
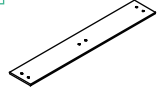
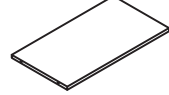
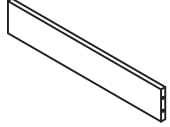
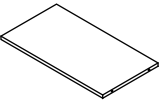
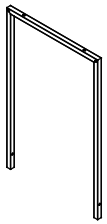
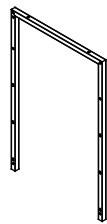
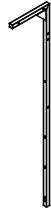
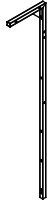


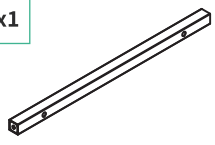
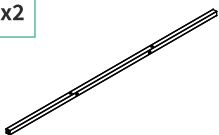
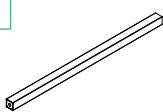
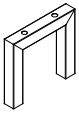
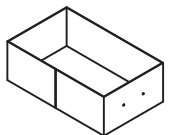

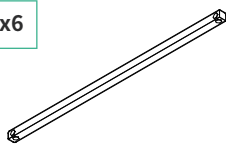
Disassembly Diagram



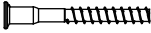





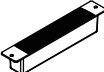
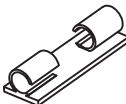
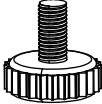
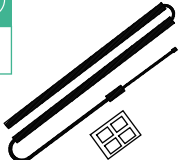



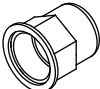
Parts List

For ease and safety, we recommend two people for assembly.



A x1 	B x1 	C x1 	D x1 
E x1 	F x1 	G x1 	H x1 
I x1 	J x2 	K x3 	L x1 
M x2 	N x1 	O x2 	P x3 
Q x1 	R x6 		

Parts List

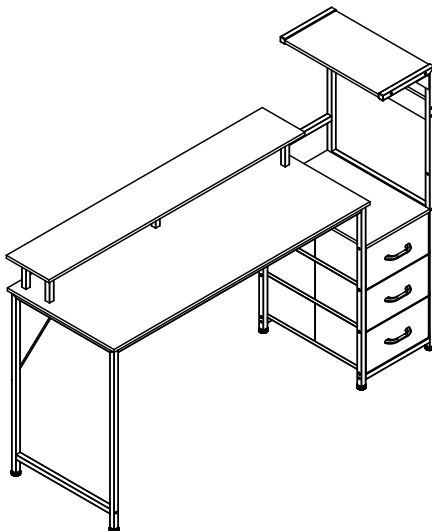
<p>1</p> <p>x14</p>  <p>M6x50</p> <p>2 Spares</p>	<p>2</p> <p>x34</p>  <p>M6x28</p> <p>3 Spares</p>	<p>4</p> <p>x7</p>  <p>M6x10</p> <p>1 Spare</p>	<p>5</p> <p>x3</p>  <p>M3.5x10</p> <p>1 Spare</p>
<p>6</p> <p>x7</p>  <p>M4x12</p> <p>1 Spare</p>	<p>7</p> <p>x3</p>  <p></p>	<p>8</p> <p>x1</p>  <p></p>	<p>9</p> <p>x2</p>  <p></p>
<p>10</p> <p>x7</p>  <p></p> <p>1 Spare</p>	<p>11</p> <p>x1</p>  <p></p> <p>1 Spare</p>	<p>12</p> <p>x2</p>  <p></p> <p>1 Spare</p>	<p>13</p> <p>x1</p>  <p></p>
<p>14</p> <p>x14</p>  <p>M6x20</p> <p>2 Spares</p>	<p>15</p> <p>x14</p>  <p></p> <p>2 Spares</p>		

Assembly Instructions

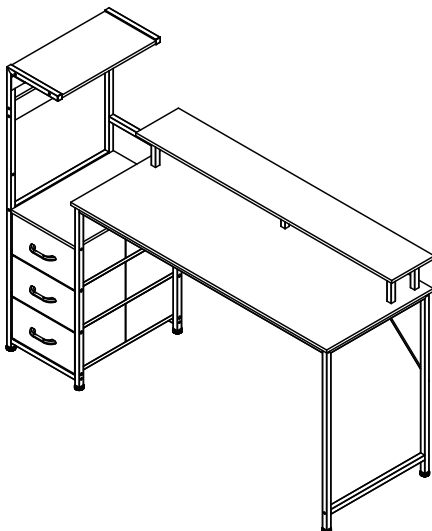


Attention: The shelves can be installed on either side, you can choose one instruction as you prefer.

1R-18R: Shelves on the right side.



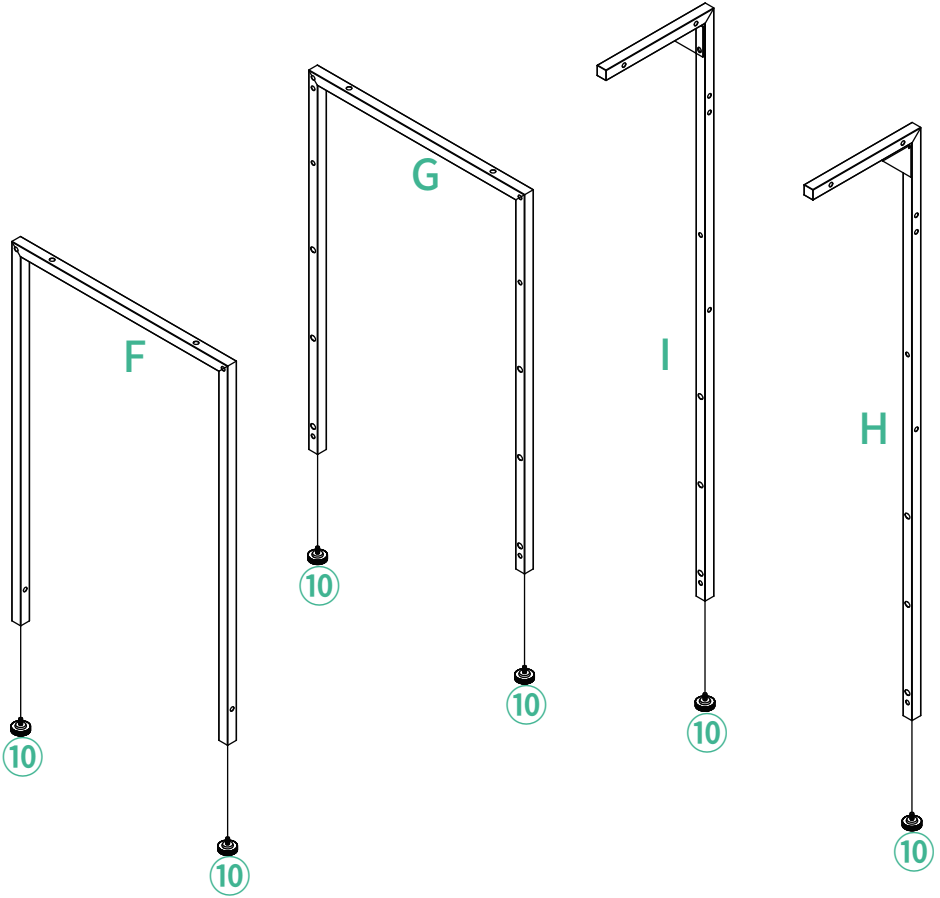
1L-18L: Shelves on the left side.




Assembly Instructions

R-1




Install foot pads.

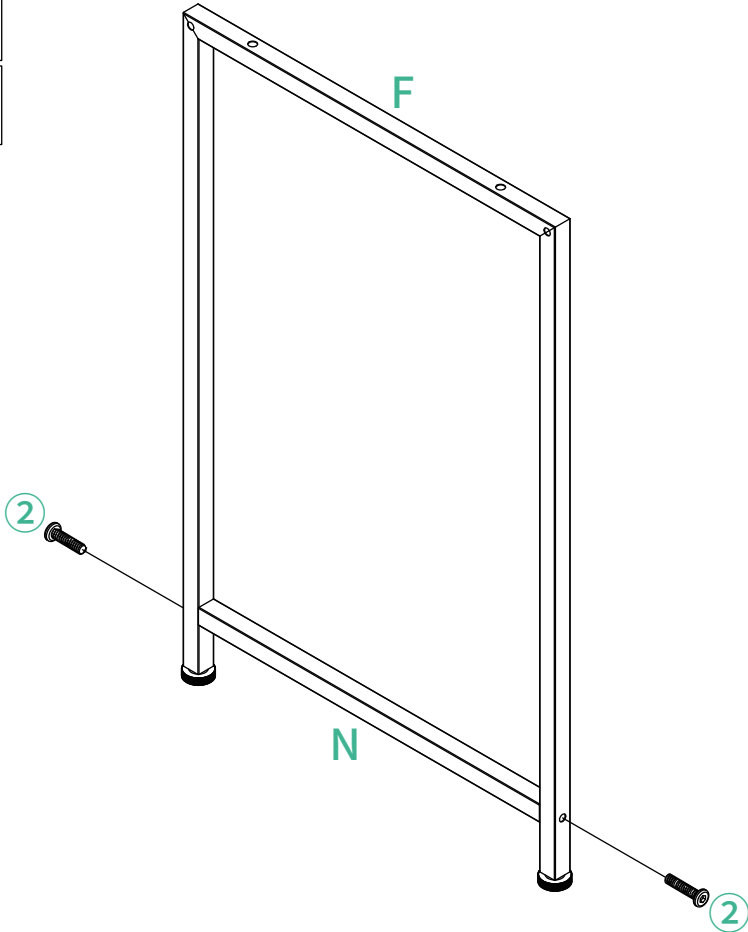


I x1	┆	F x1	┆	G x1	┆
H x1	┆	⑩ x6			

Assembly Instructions

R-2

N x1	
2 x2	
12 x1	






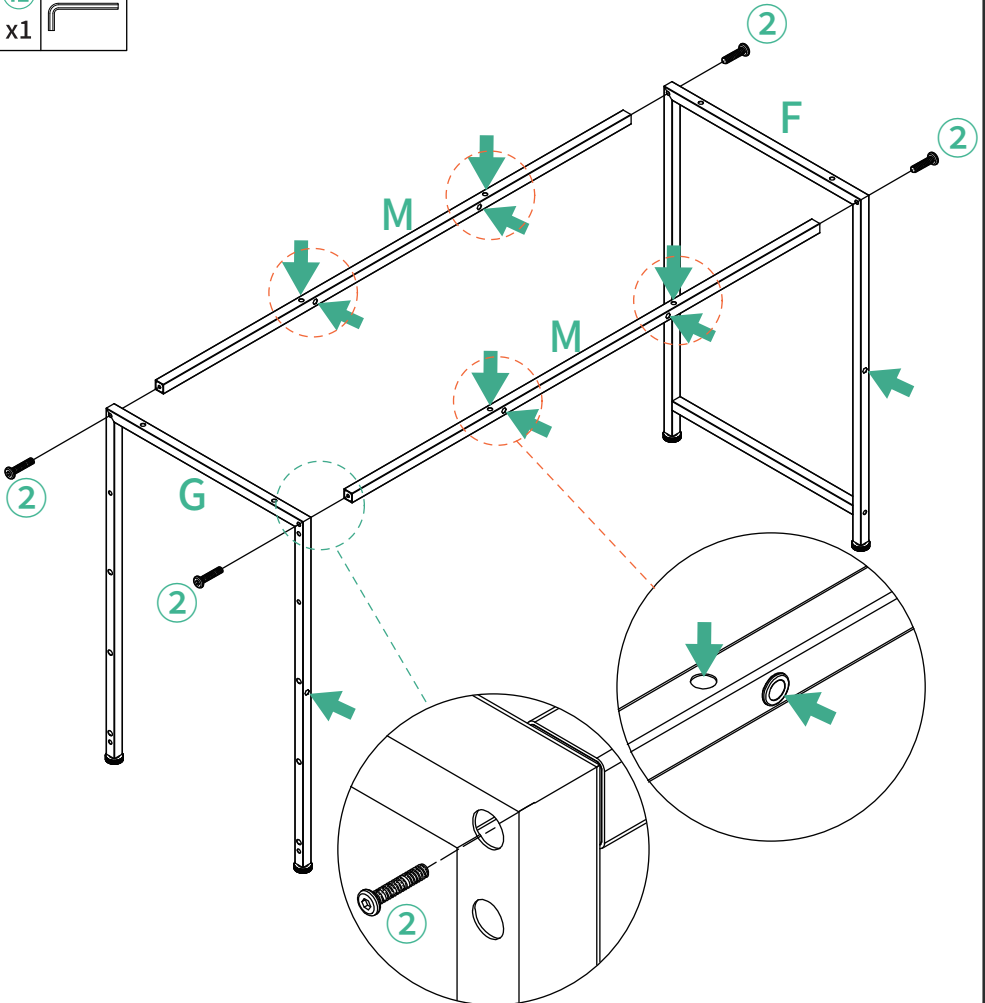
Assembly Instructions

R-3

Install beam M.

Note the holes indicated by the arrows and the details in the enlarged image.

M	
x2	
2	
x4	
12	
x1	

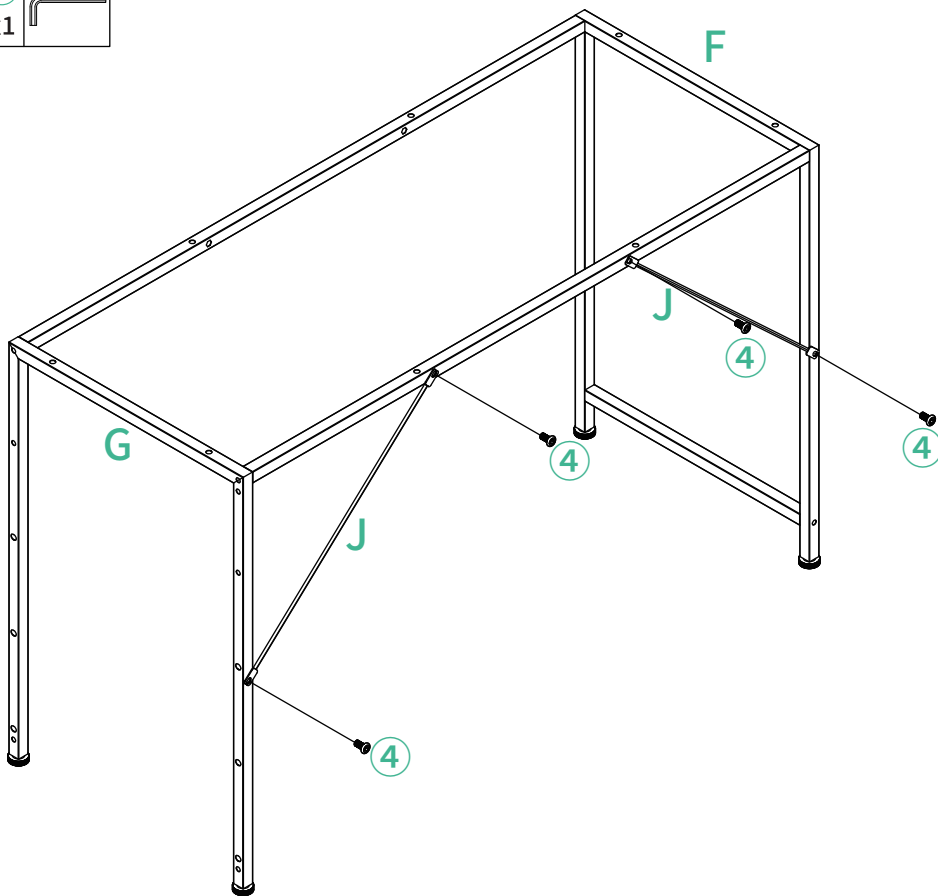
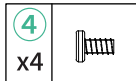


Assembly Instructions

R-4

Install brace J.

Please select the correct length screw ④ according to the illustration for installation.

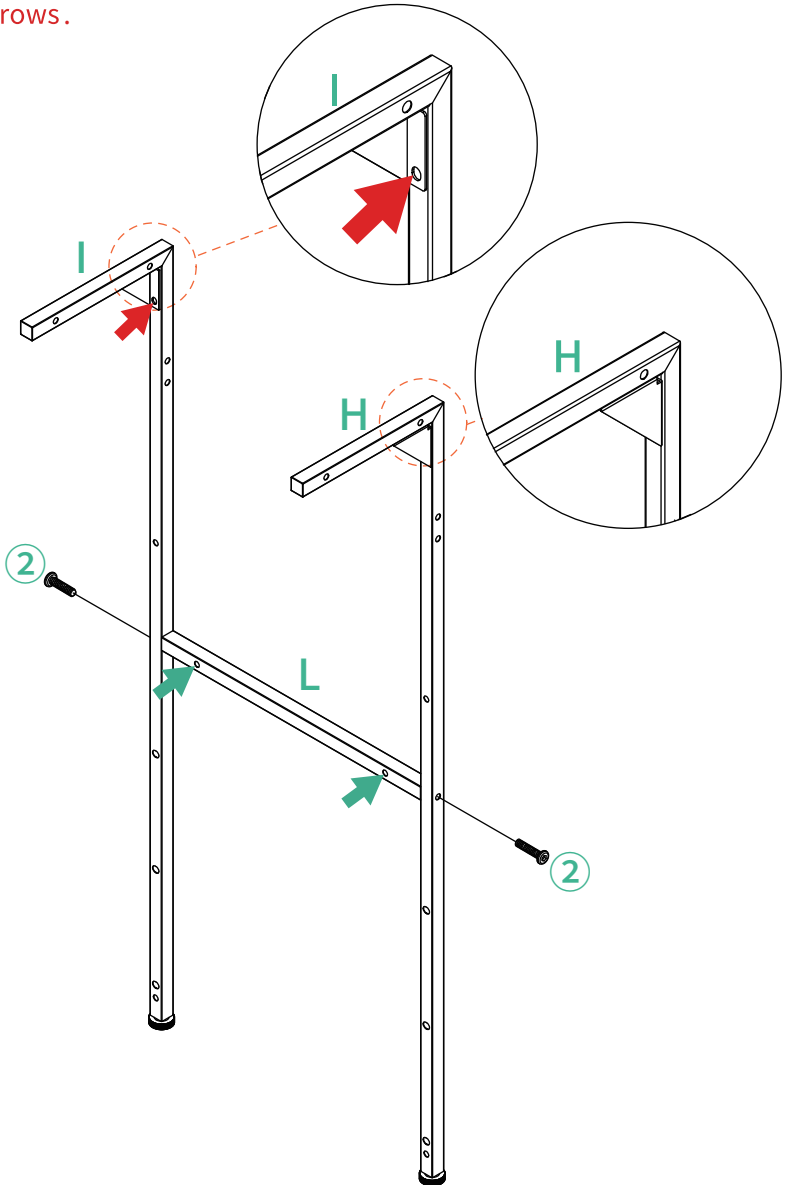
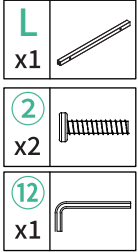


Assembly Instructions

R-5

Install parts H, I and L.


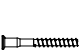

When installing, please pay attention to the details of the parts in the enlarged image and the holes indicated by the arrows.

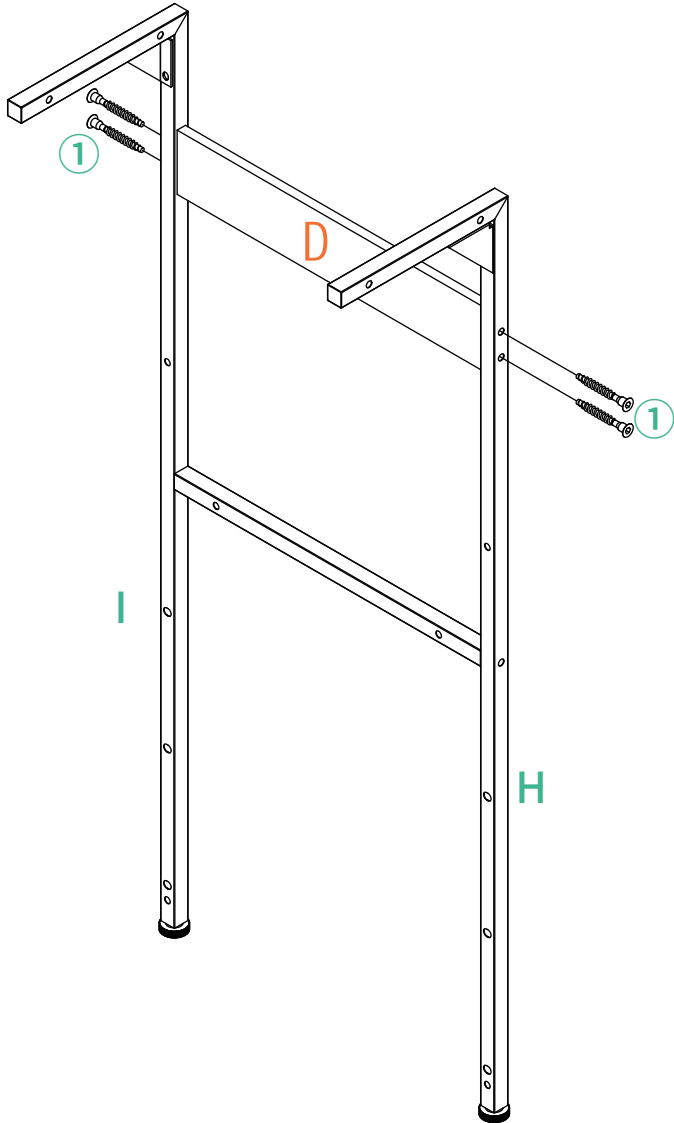


Assembly Instructions

R-6

Install part D.

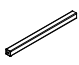

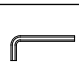
D	
x1	
1	
x4	
12	
x1	

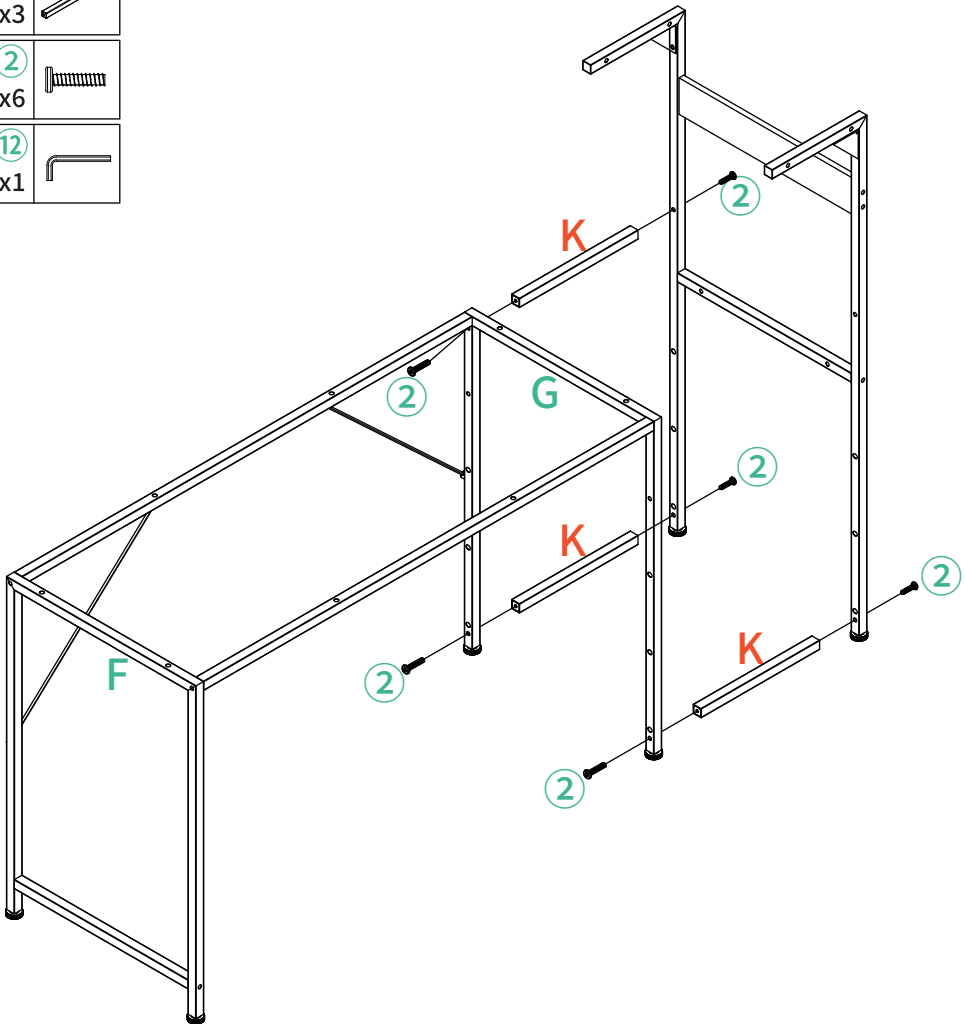


Assembly Instructions

R-7

Install part K.





K x3	
2 x6	
12 x1	

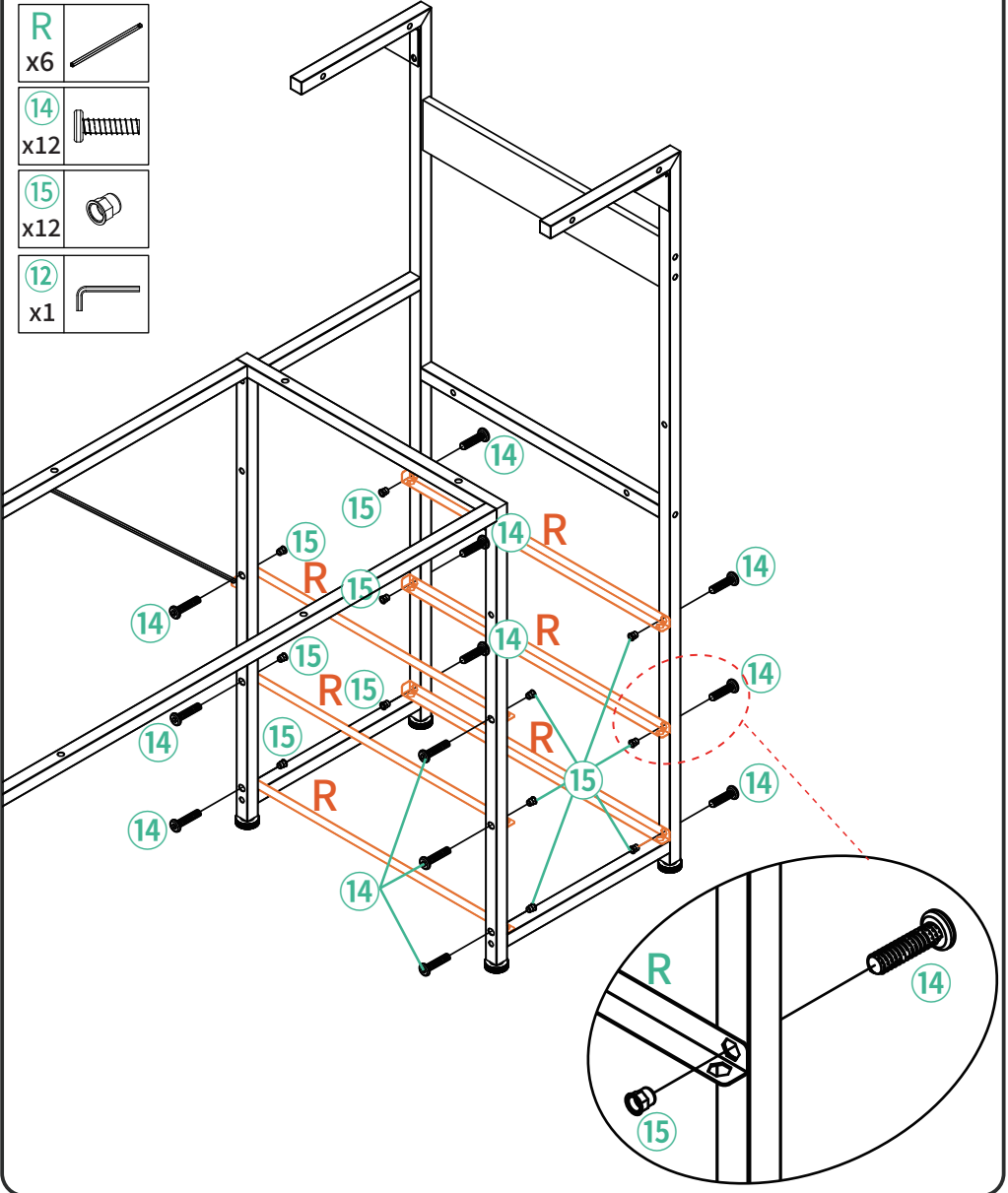


Assembly Instructions

R-8

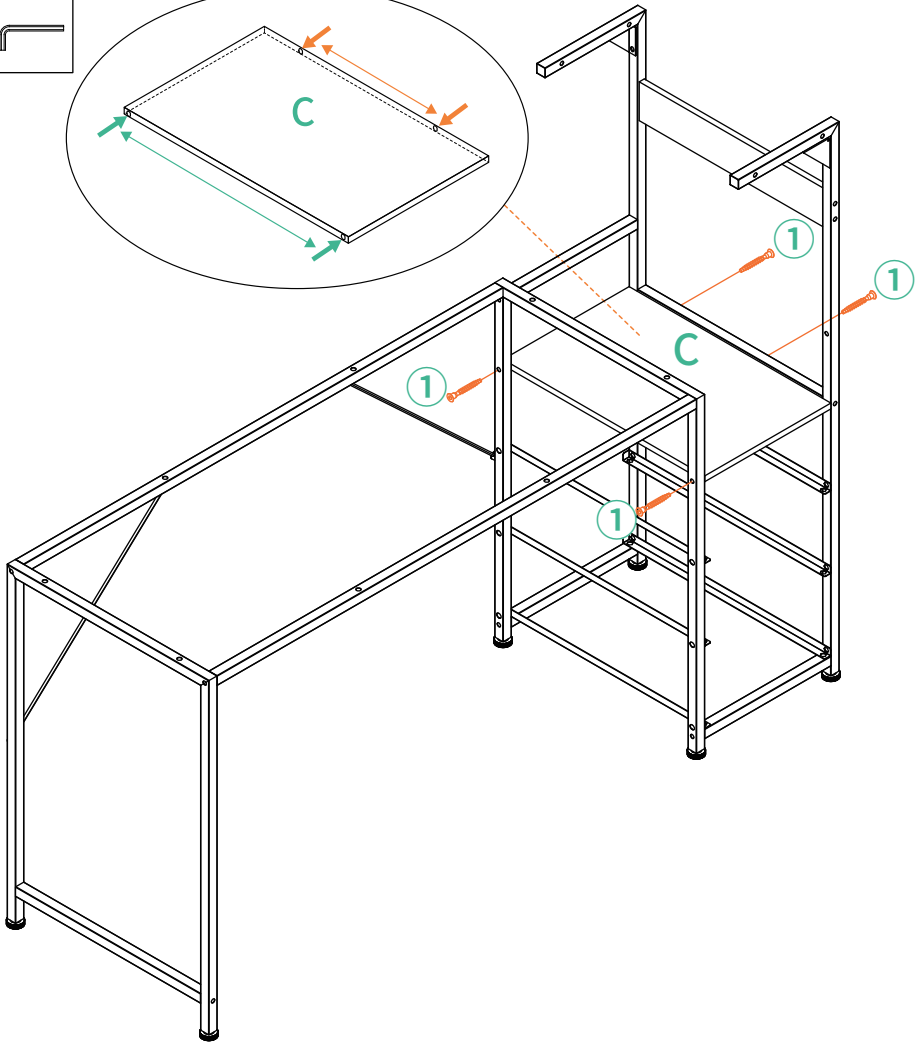
Please follow the instructions to distinguish the front and back ends of the guide rails before installing them.

R x6	
14 x12	
15 x12	
12 x1	



Assembly Instructions

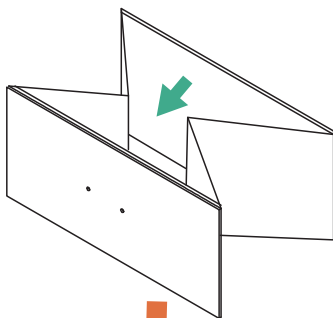
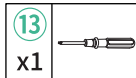
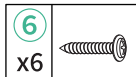
R-9



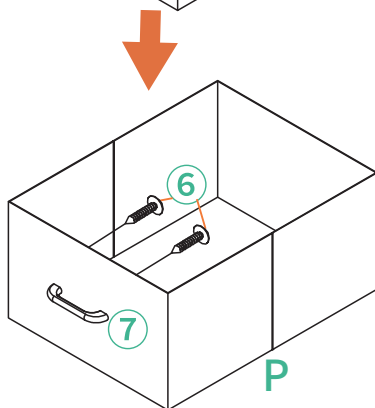
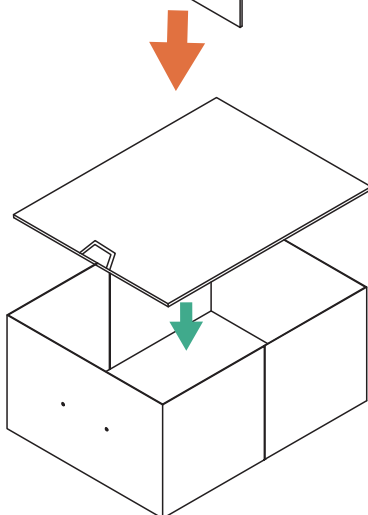
Assembly Instructions

R-10

Install drawers.



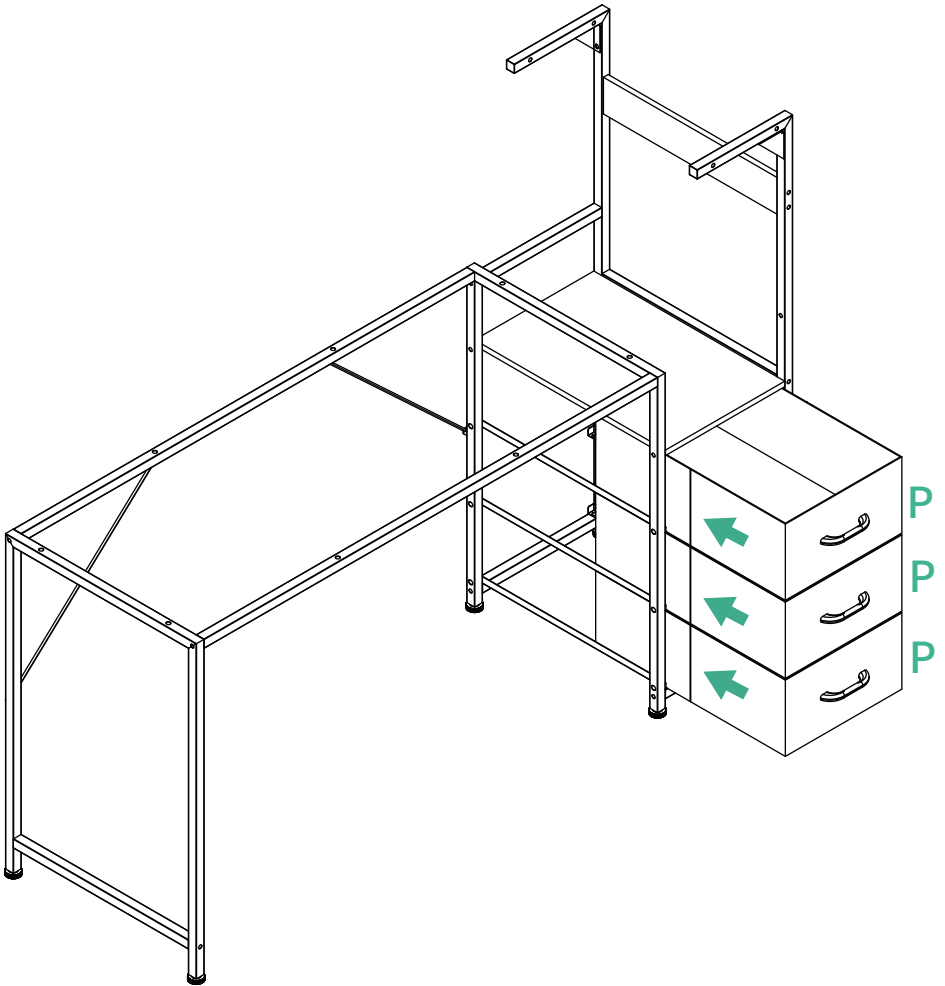
x3



Assembly Instructions

R-11

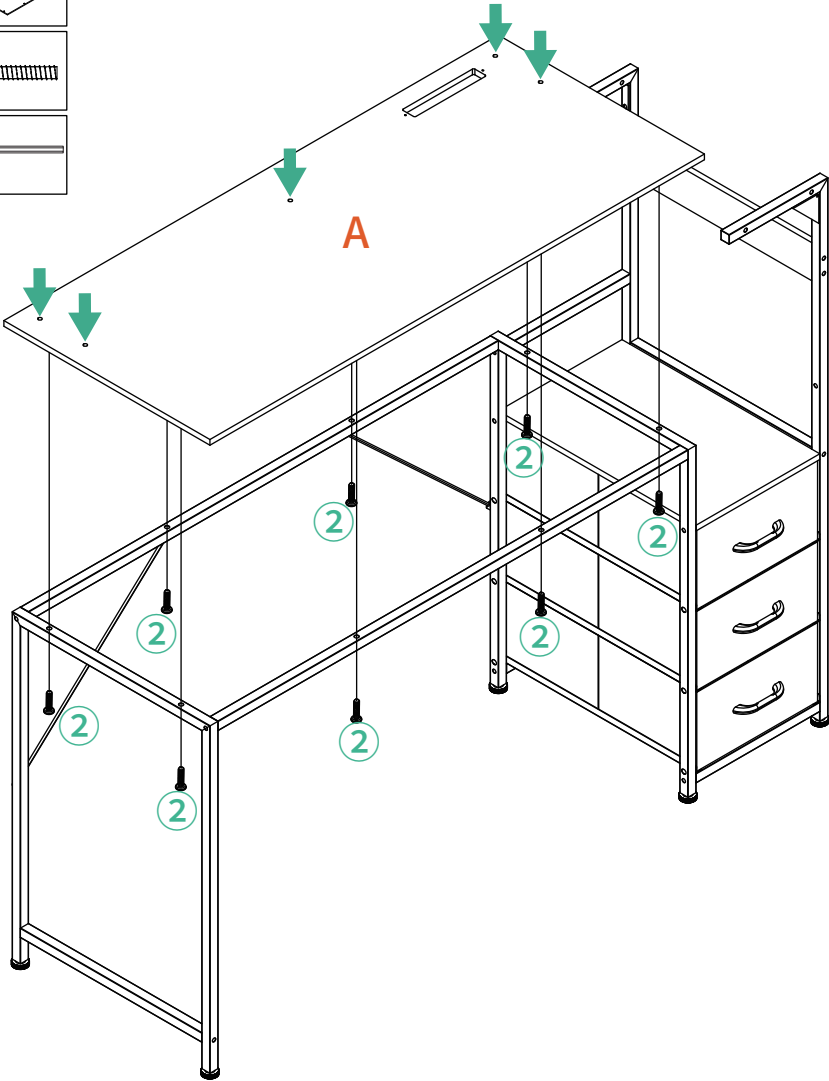
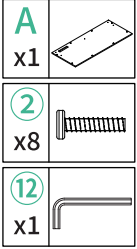
Push the assembled drawers into the steel frame.



Assembly Instructions

R-12

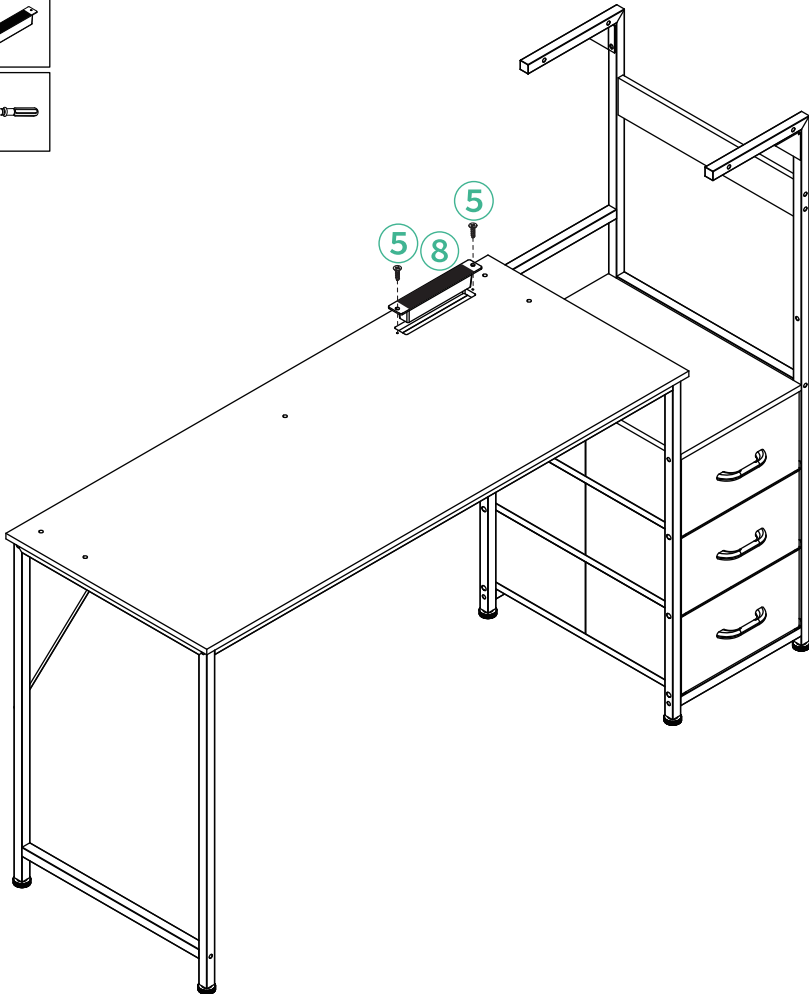
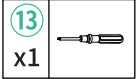
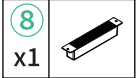
Install board A.



Assembly Instructions

R-13

Install socket.



Assembly Instructions

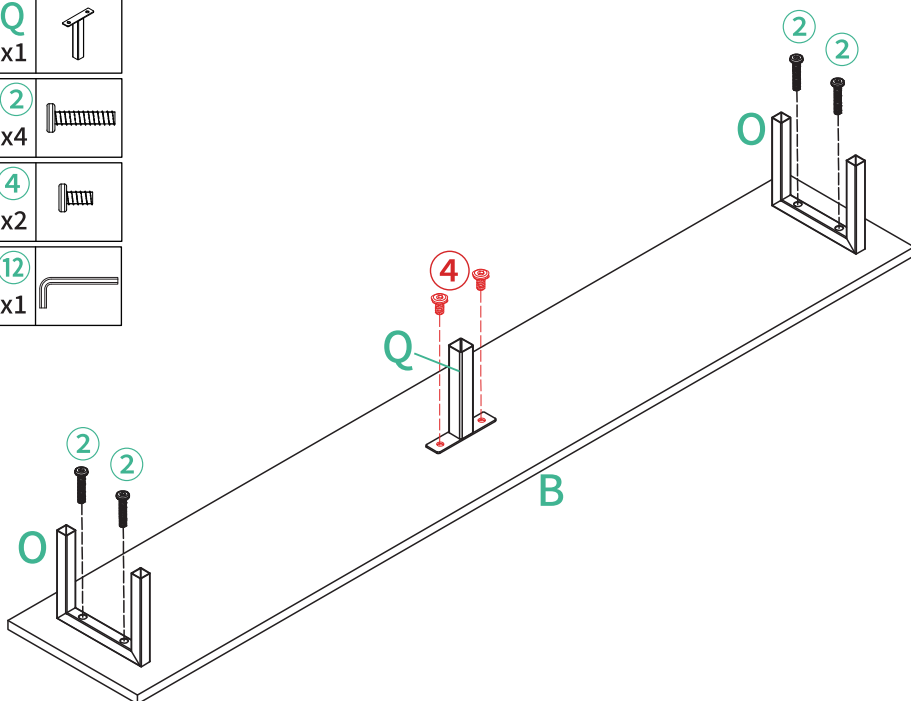
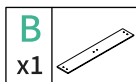
R-14

Install brackets O and Q to board B.

Attention:

(1) Please choose the correct length of screws ② and ④ according to the illustration.

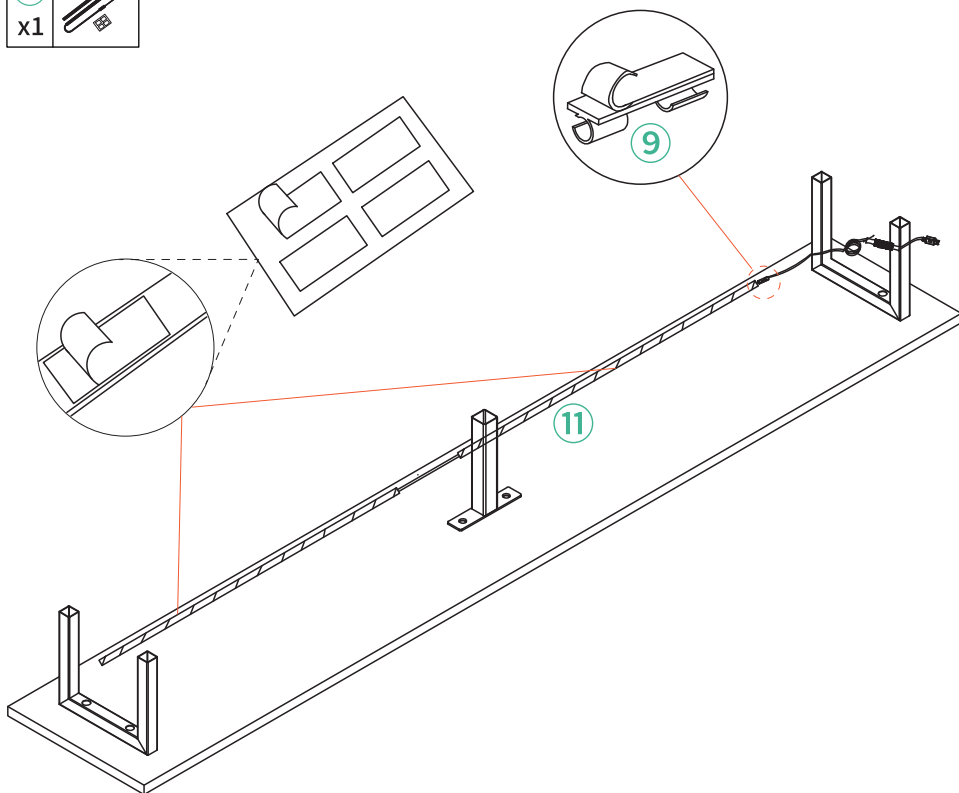
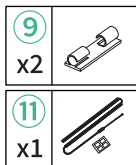
(2) Screw ④ is shorter than screw ②.



Assembly Instructions

R-15

Use 3M adhesive tape to attach the light strip to board B, while you can use a wire clip ⑨ to fix the wires.

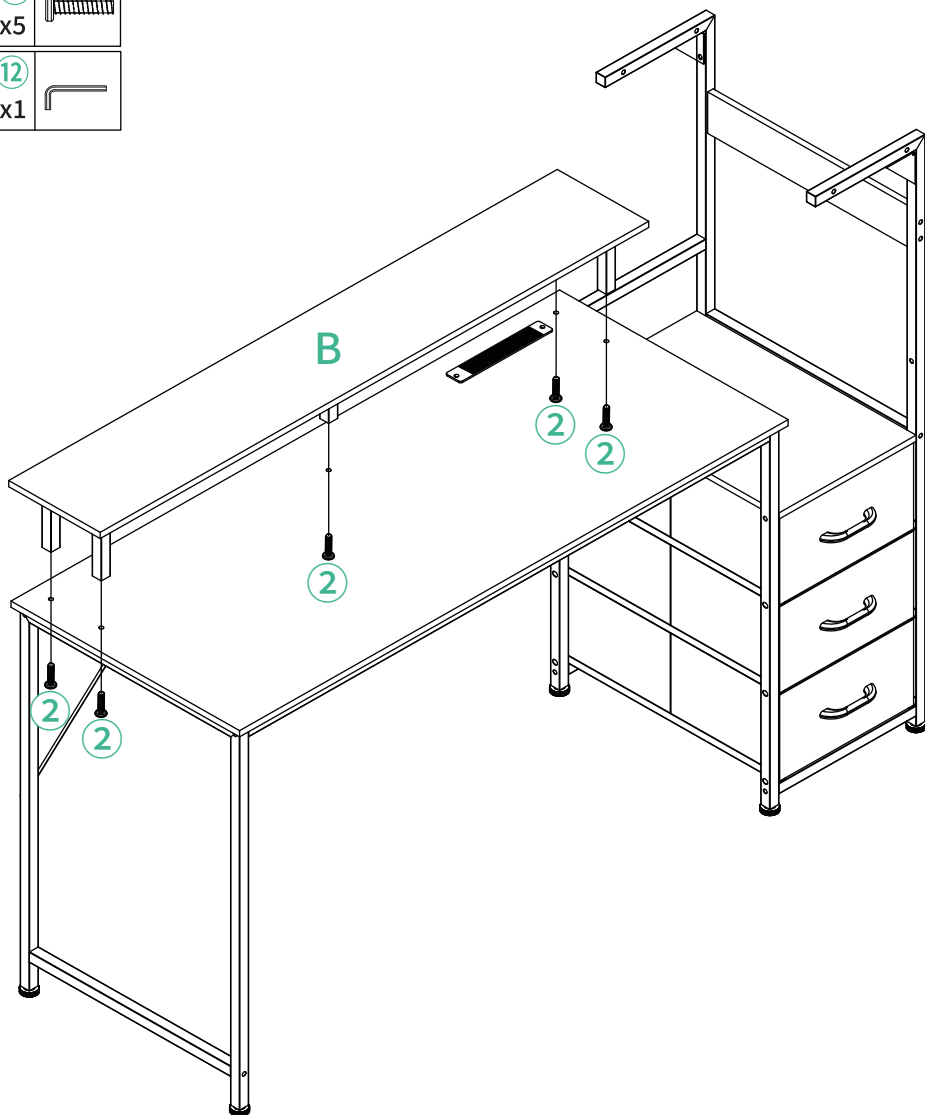
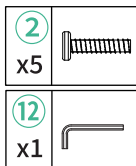


Assembly Instructions

R-16

Install the assembled monitor stand onto the desktop.

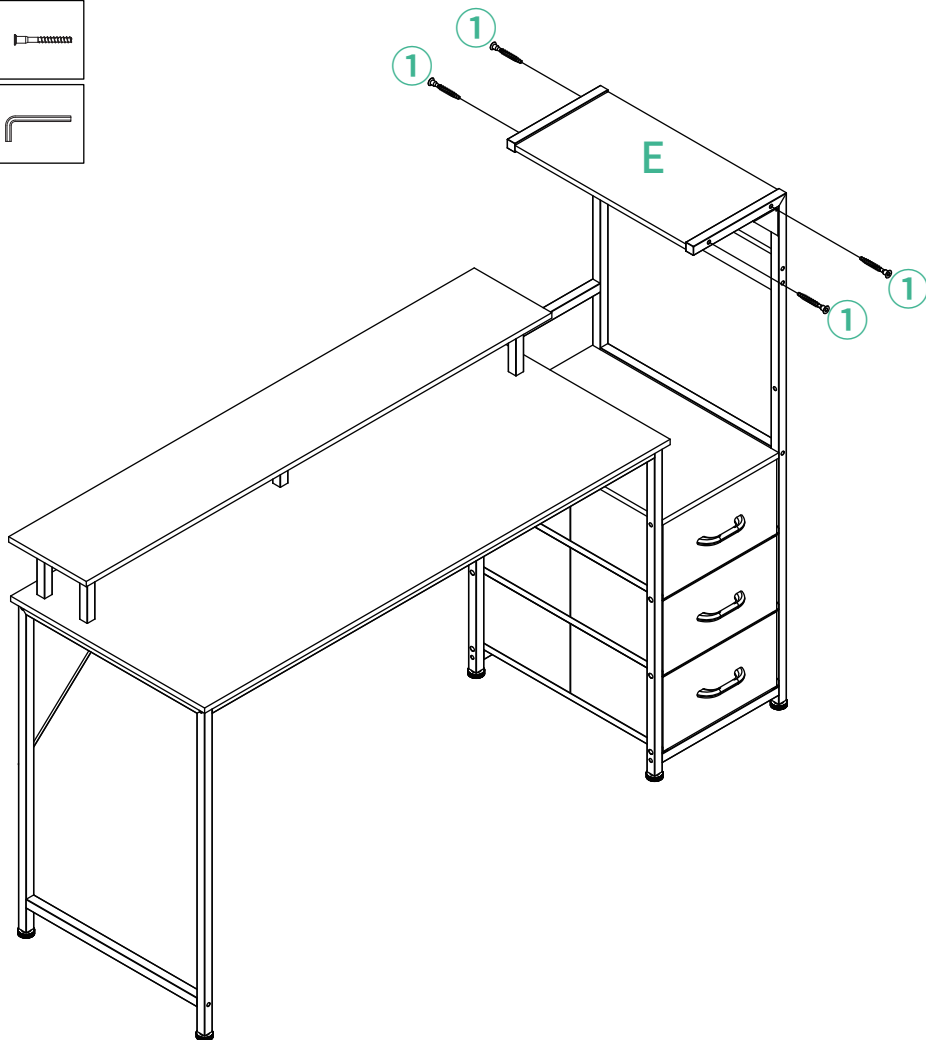
Please follow the illustration to select the correct screw ②.



Assembly Instructions

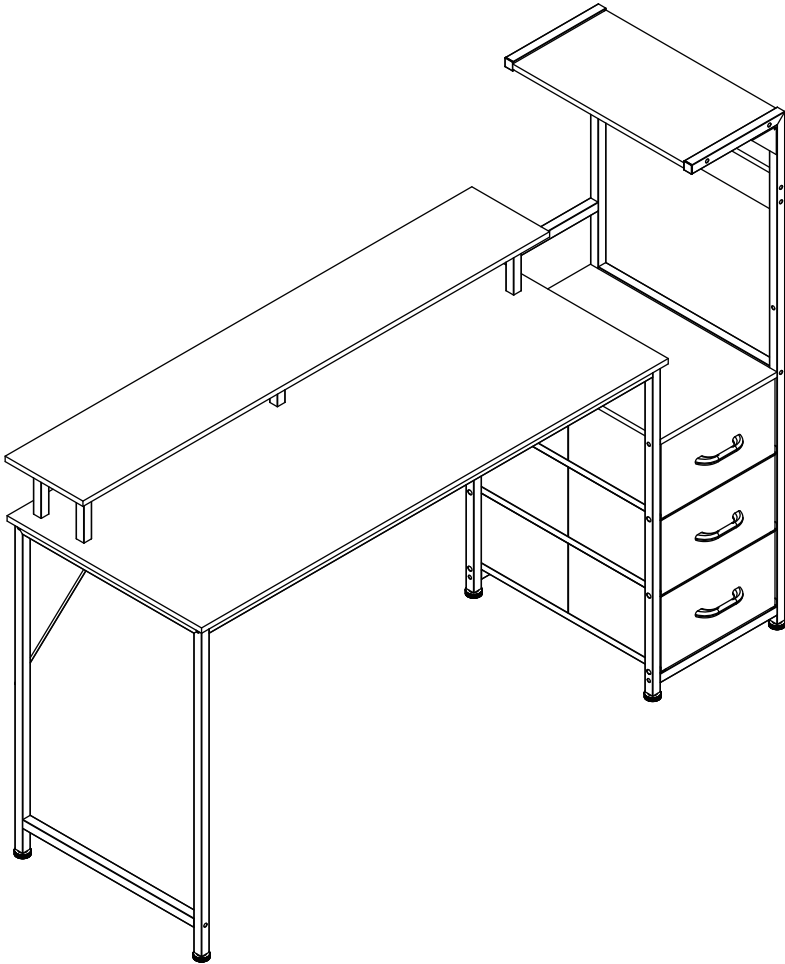
R-17

Install board E.



R-18

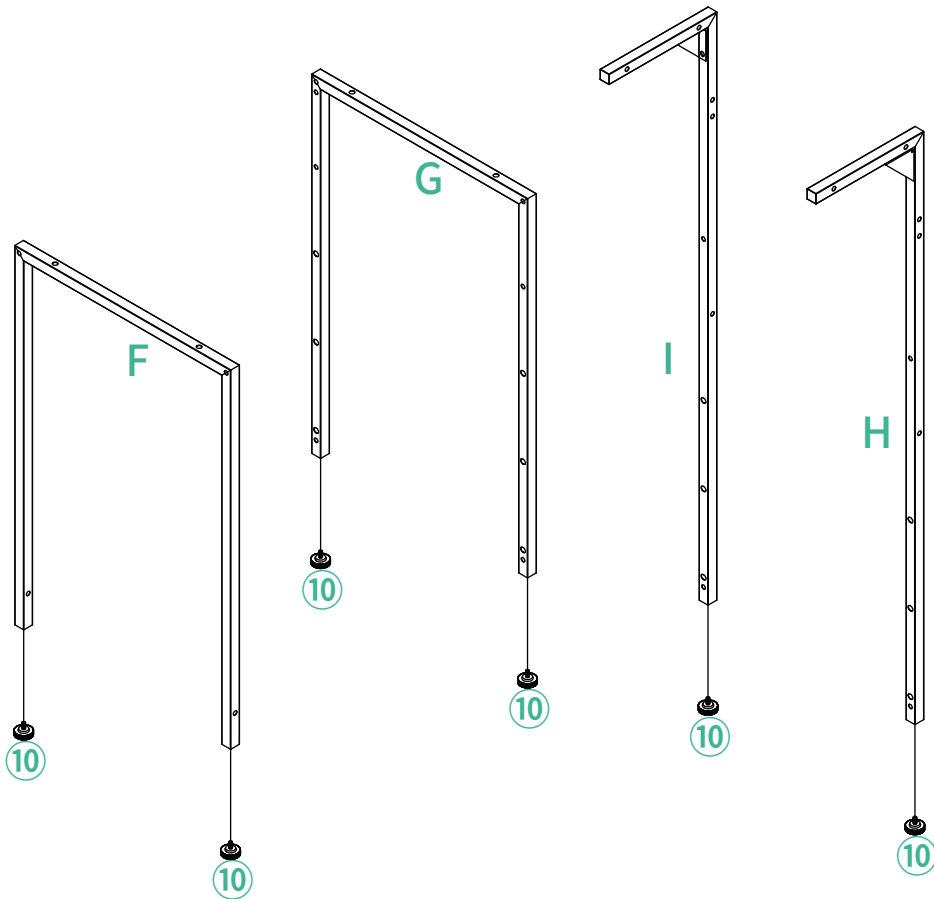
Finishing.




Assembly Instructions

L-1

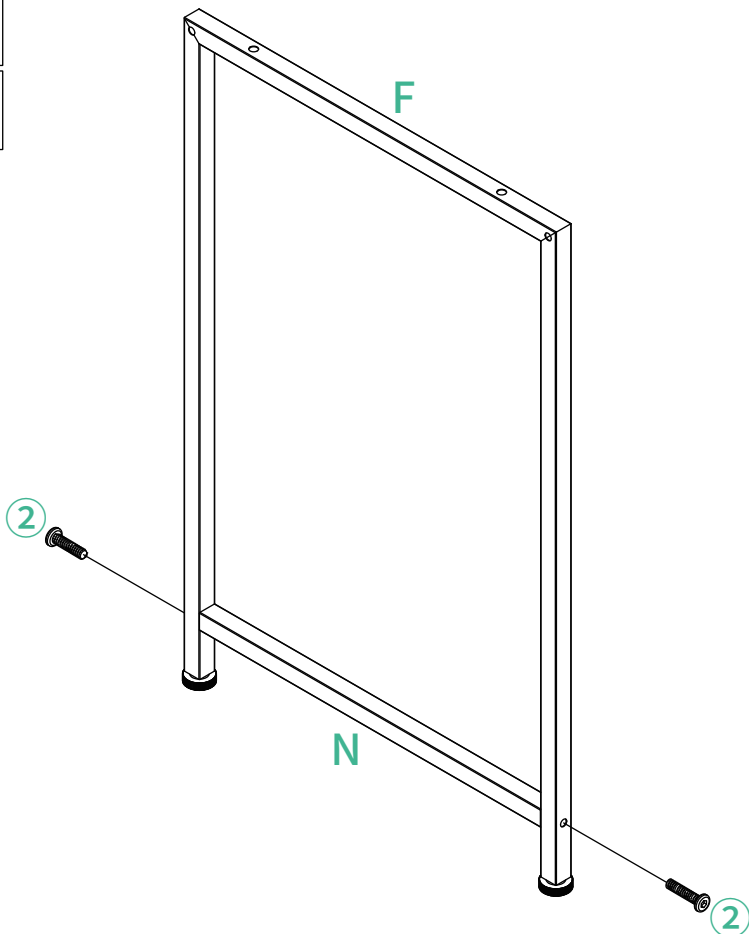
Install foot pads.



I x1	┆	F x1	┆	G x1	┆
H x1	┆	⑩ x6			

Assembly Instructions

L-2


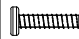



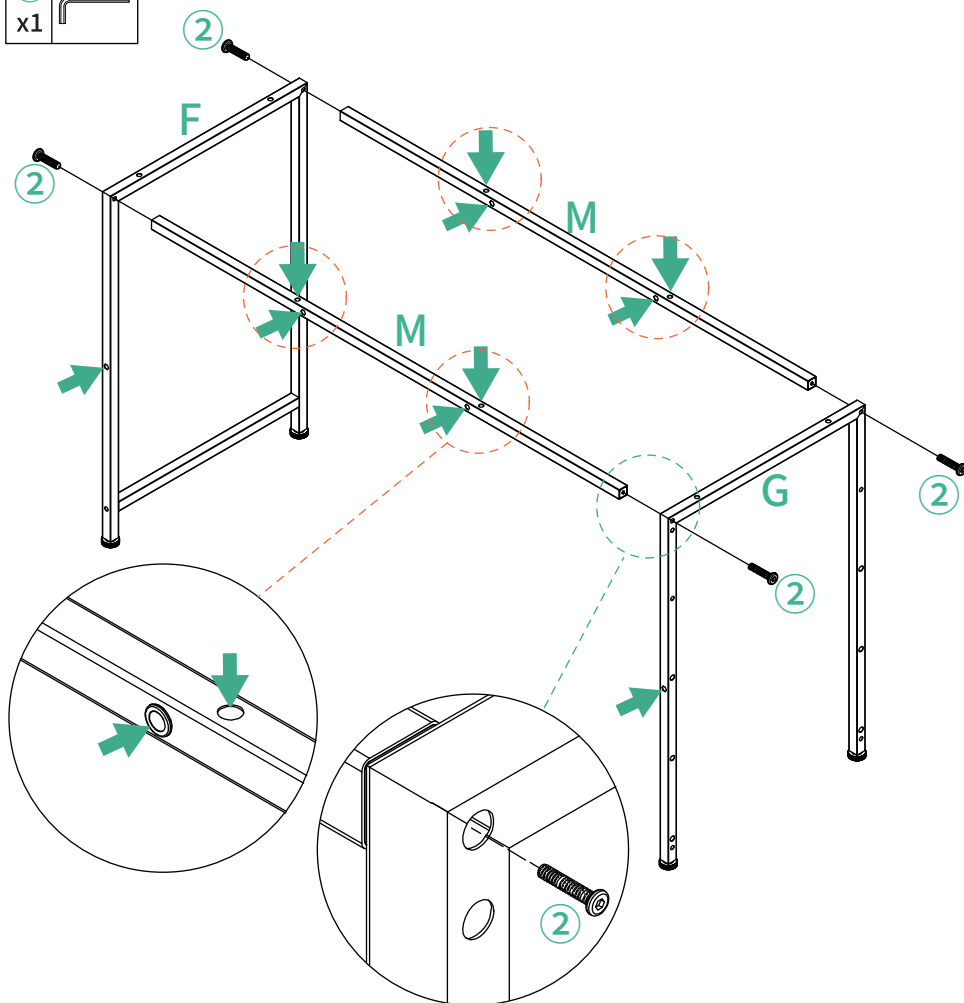
Assembly Instructions

L-3

Install beam M.

Note the holes indicated by the arrows and the details in the enlarged image.

M	
x2	
2	
x4	
12	
x1	

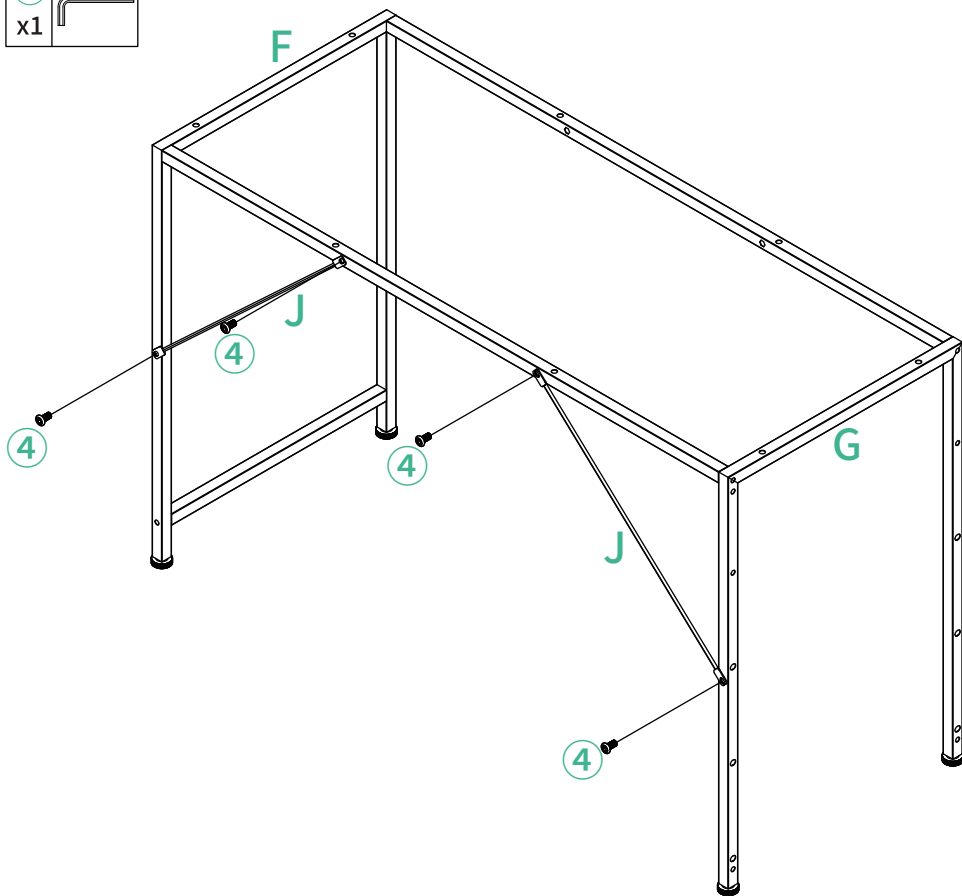
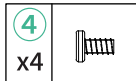


Assembly Instructions

L-4

Install brace J.

Please select the correct length screw ④ according to the illustration for installation.

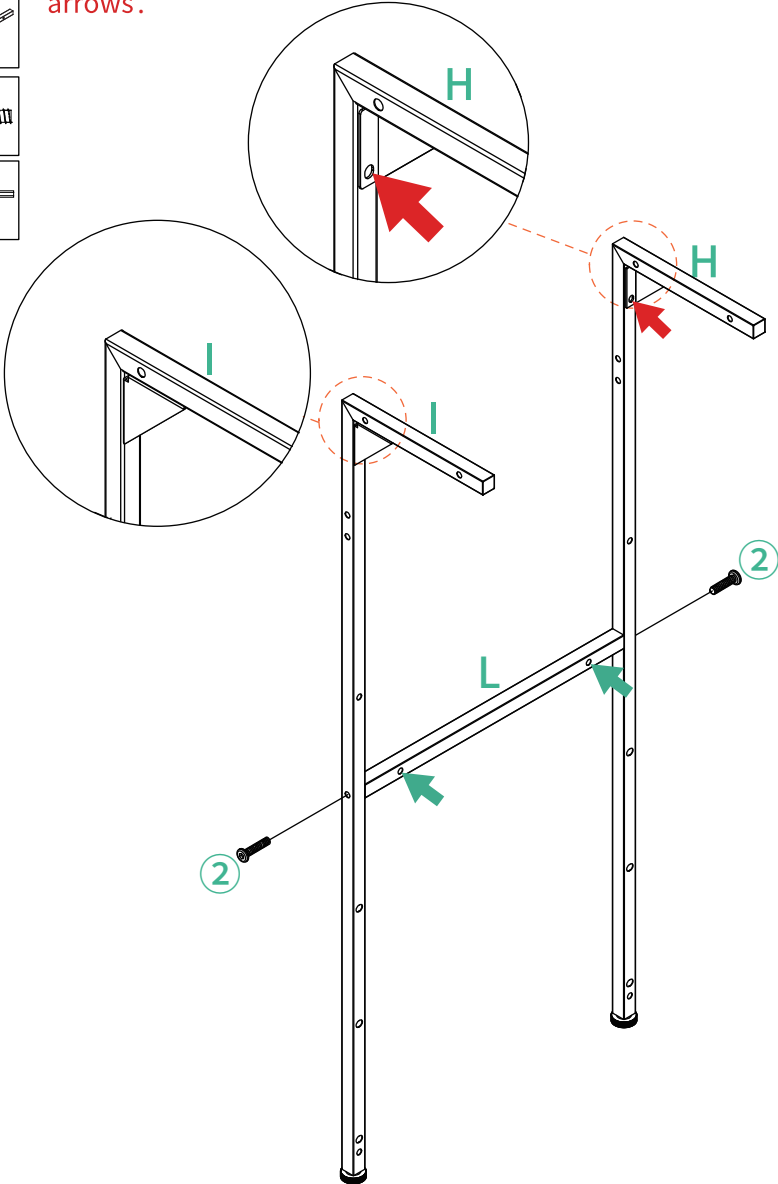
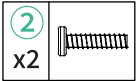
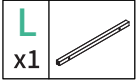


Assembly Instructions

L-5

Install parts H, I and L.


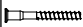

When installing, please pay attention to the details of the parts in the enlarged image and the holes indicated by the arrows.

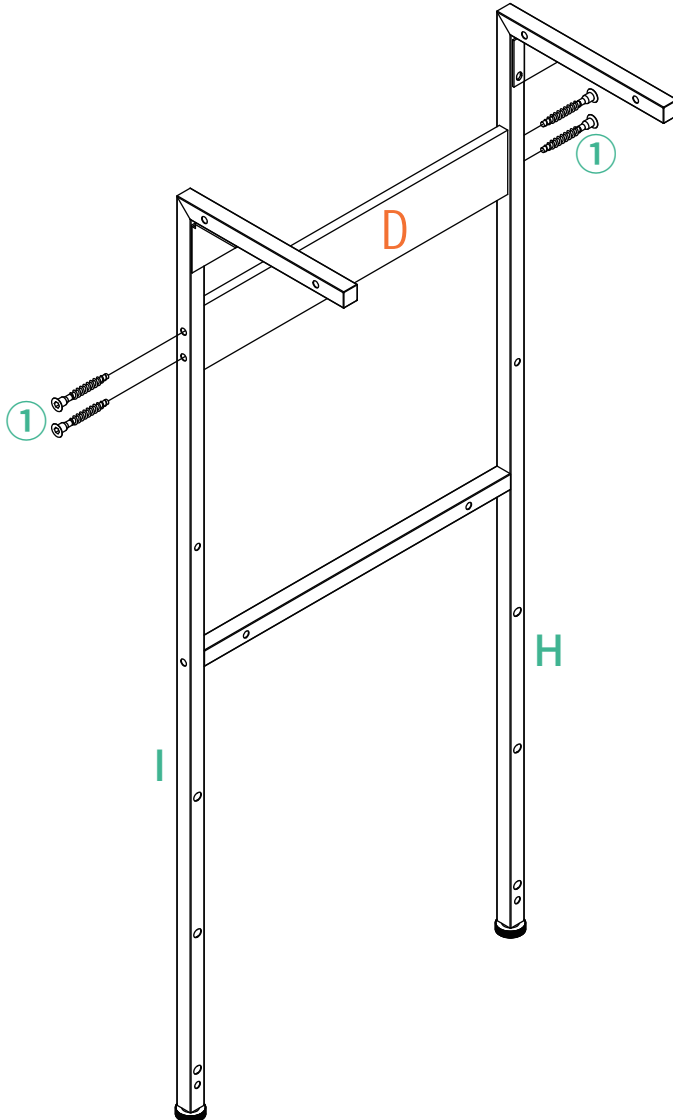


Assembly Instructions

L-6

Install part D.

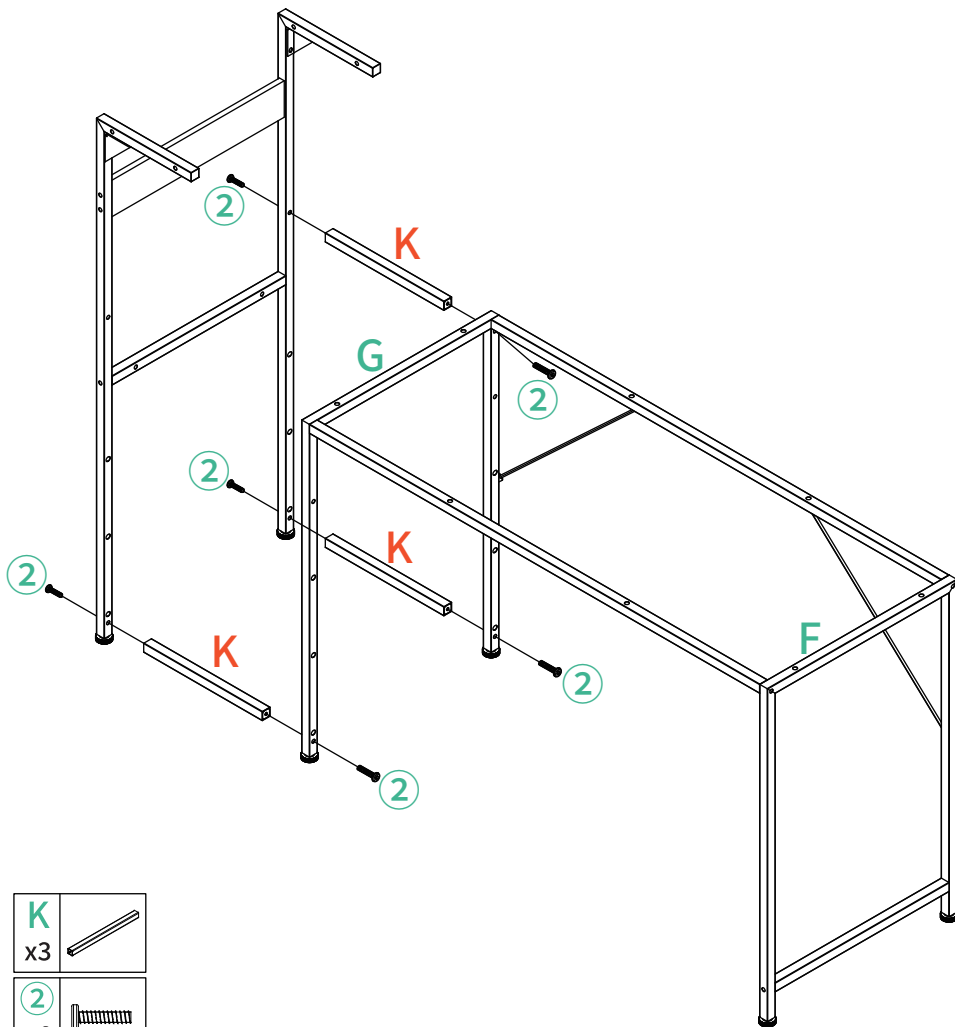
D x1	
1 x4	
12 x1	



Assembly Instructions

L-7

Install part K.







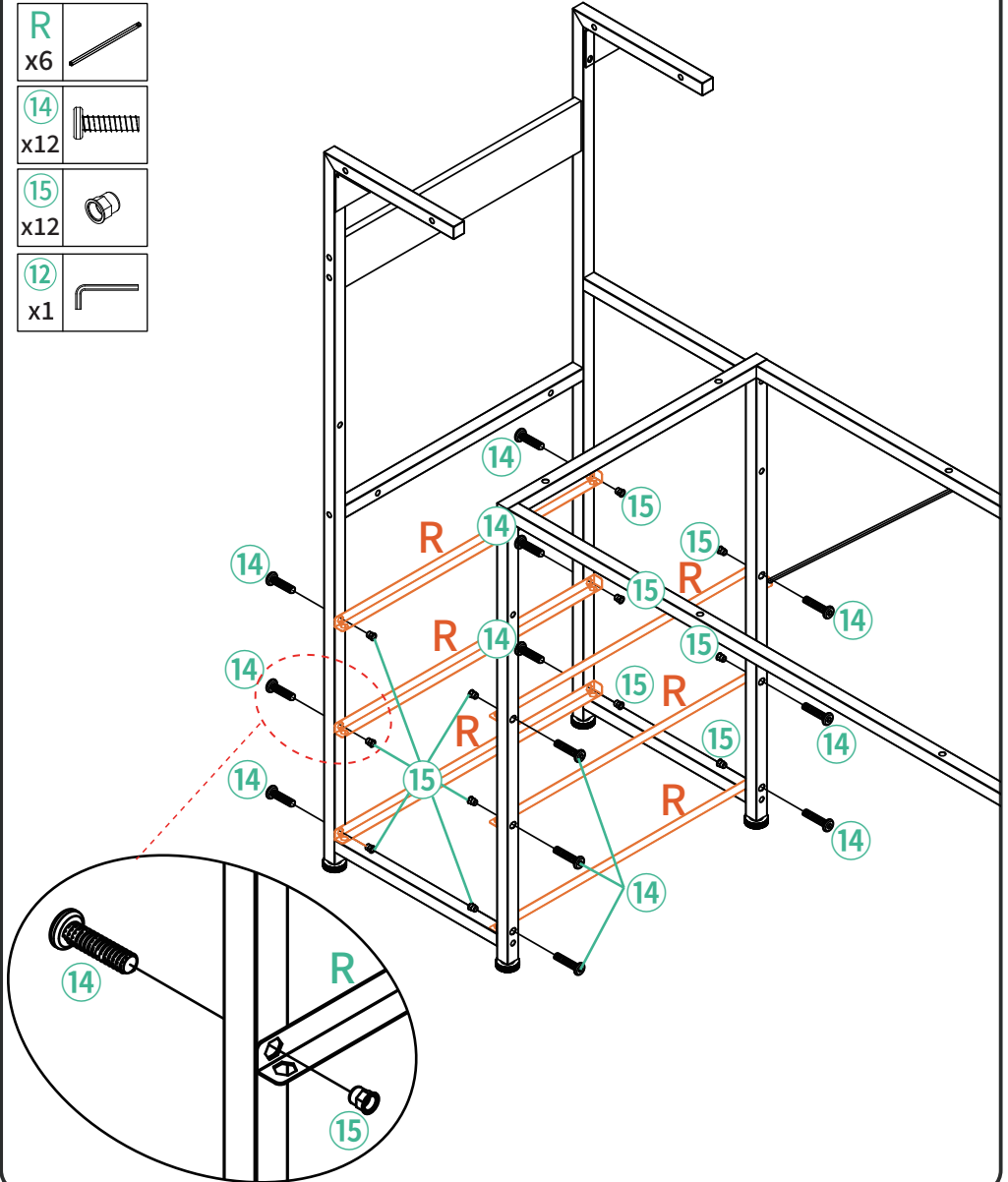
K	
x3	
2	
x6	
12	
x1	

Assembly Instructions

L-8

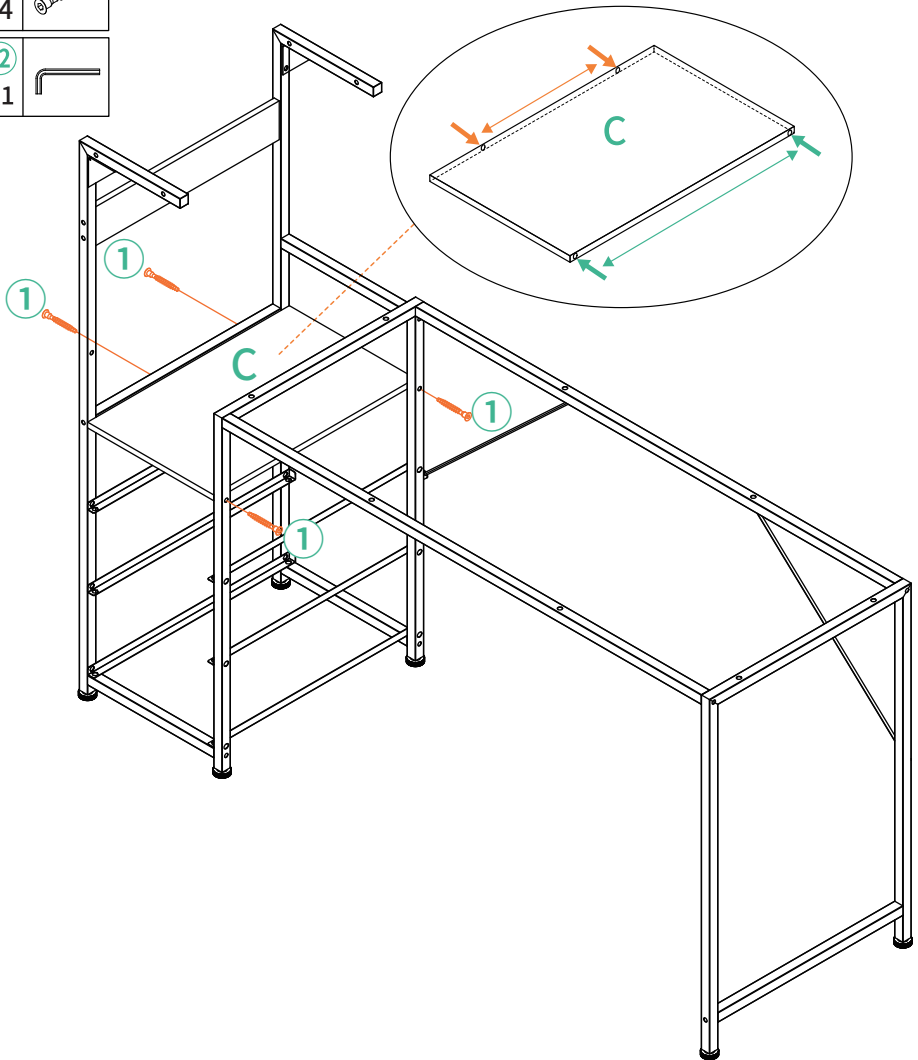
Please follow the instructions to distinguish the front and back ends of the guide rails before installing them.

R x6	
14 x12	
15 x12	
12 x1	



Assembly Instructions

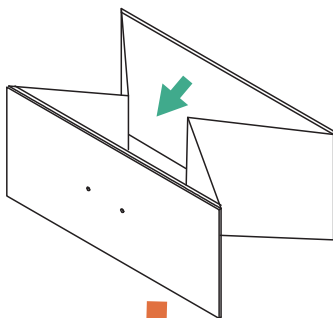
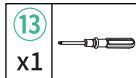
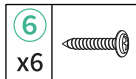
L-9



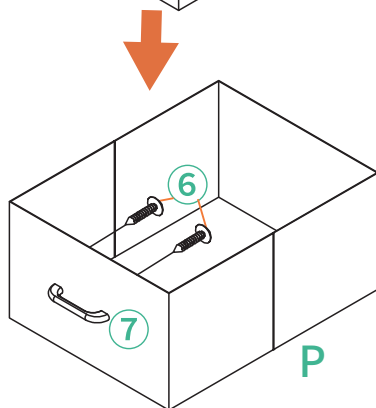
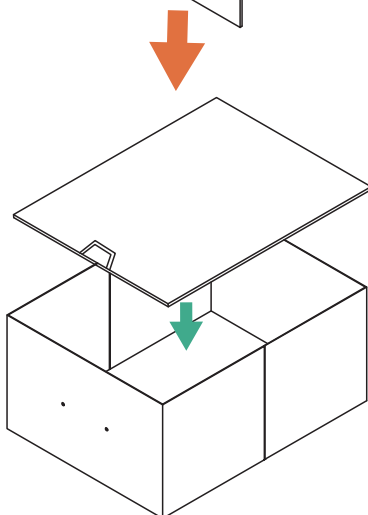
Assembly Instructions

L-10

Install drawers.



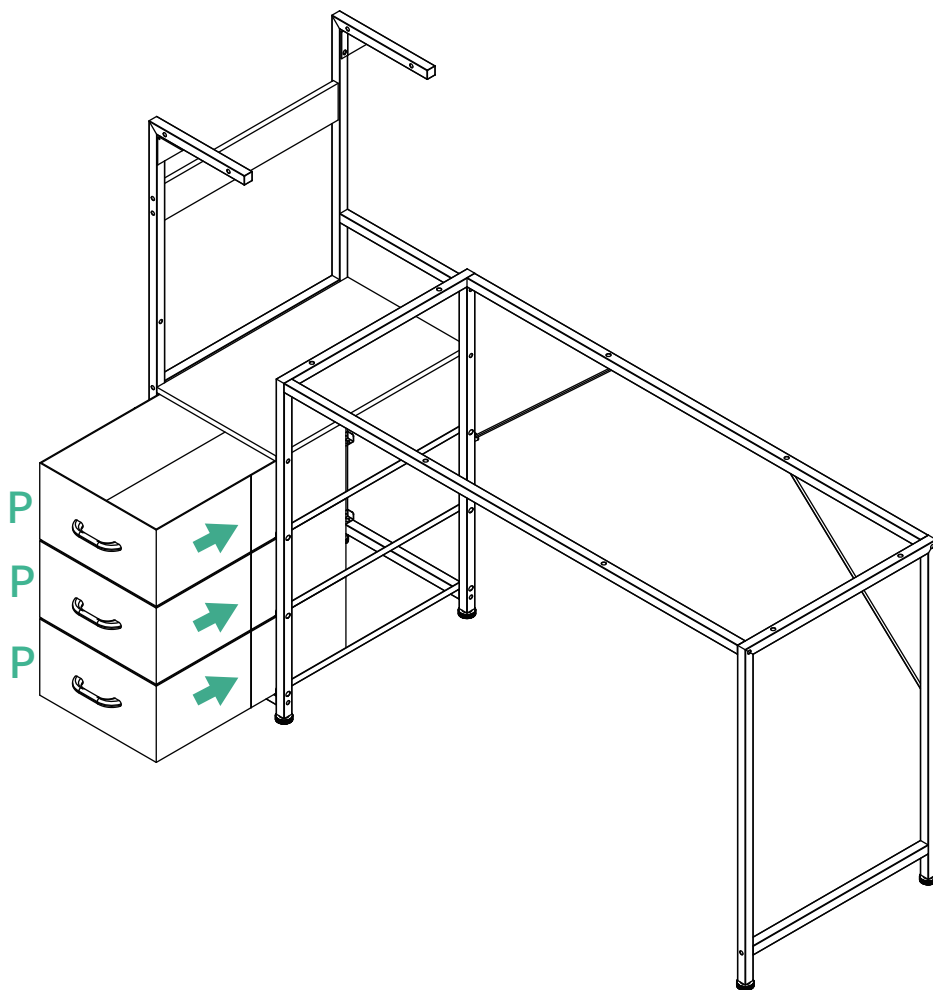
x3



Assembly Instructions

L-11

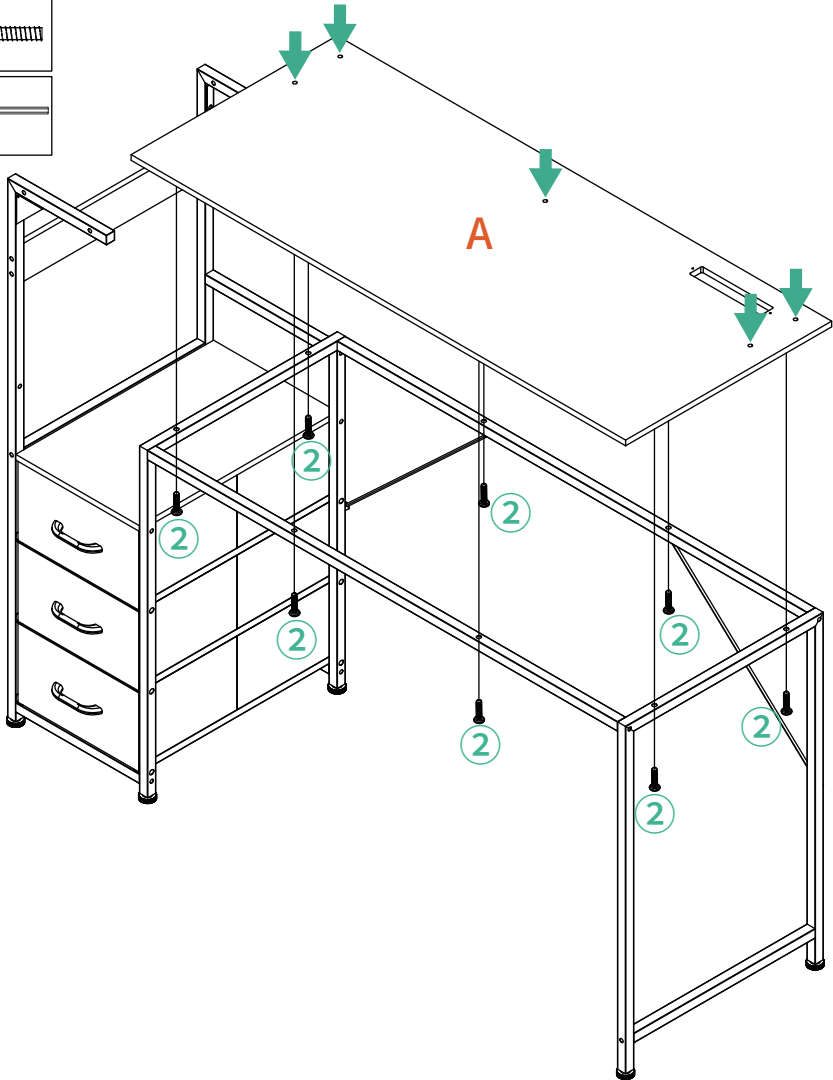
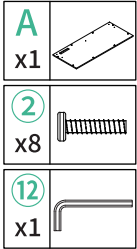
Push the assembled drawers into the steel frame.



Assembly Instructions

L-12

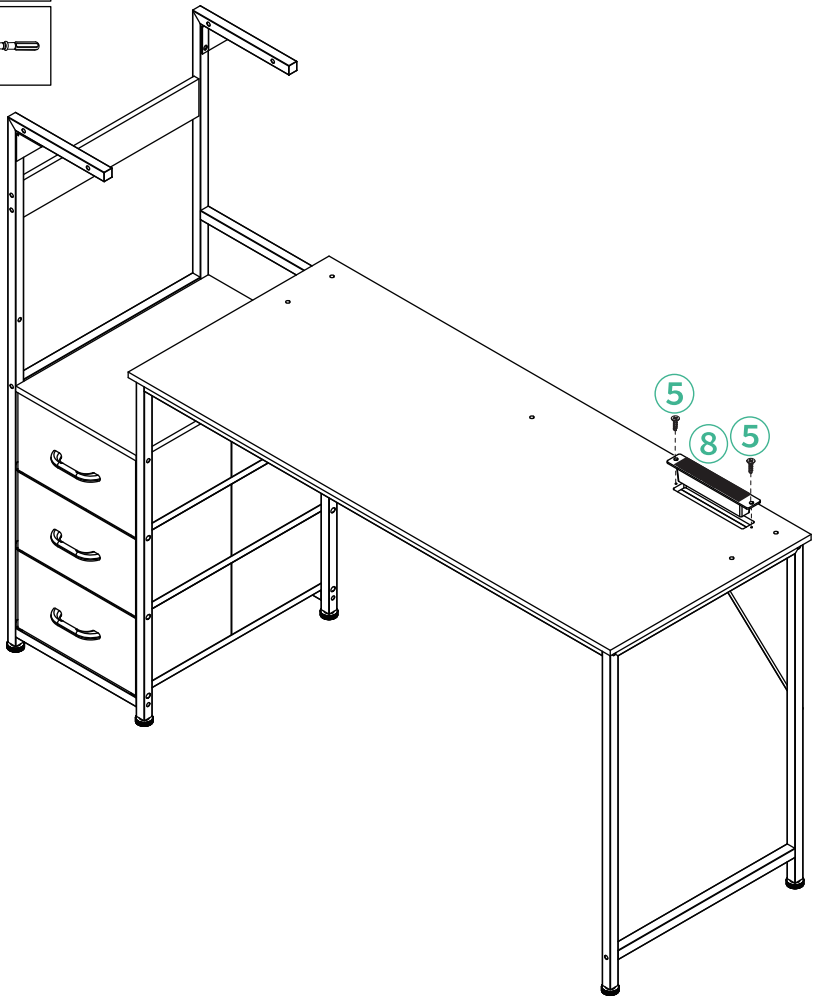
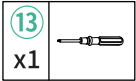
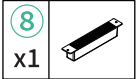
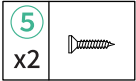
Install board A.



Assembly Instructions

L-13

Install socket.



Assembly Instructions

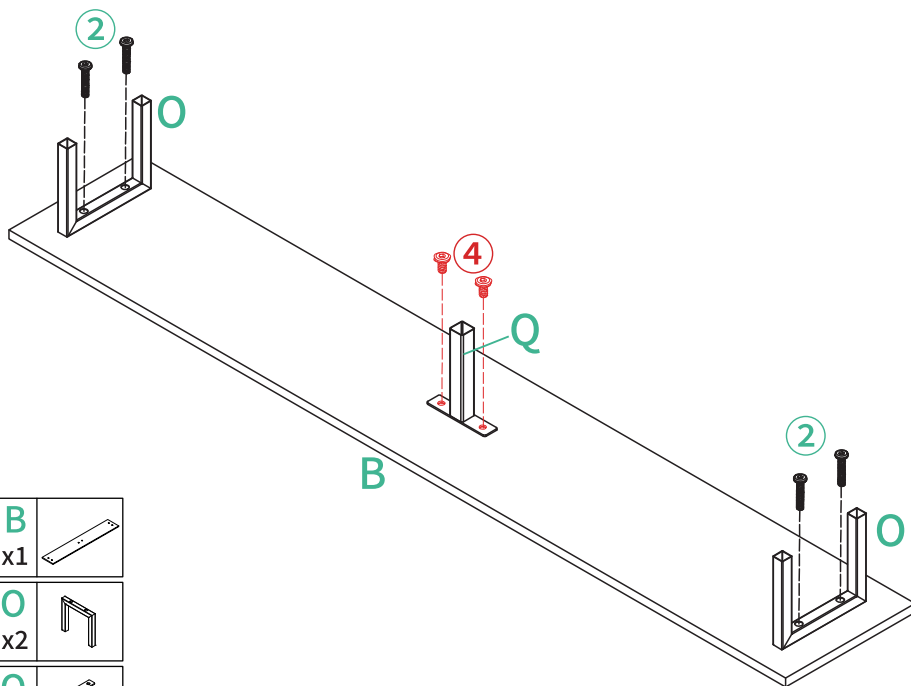
L-14

Install brackets O and Q to board B.

Attention:

(1) Please choose the correct length of screws ② and ④ according to the illustration.

(2) Screw ④ is shorter than screw ②.

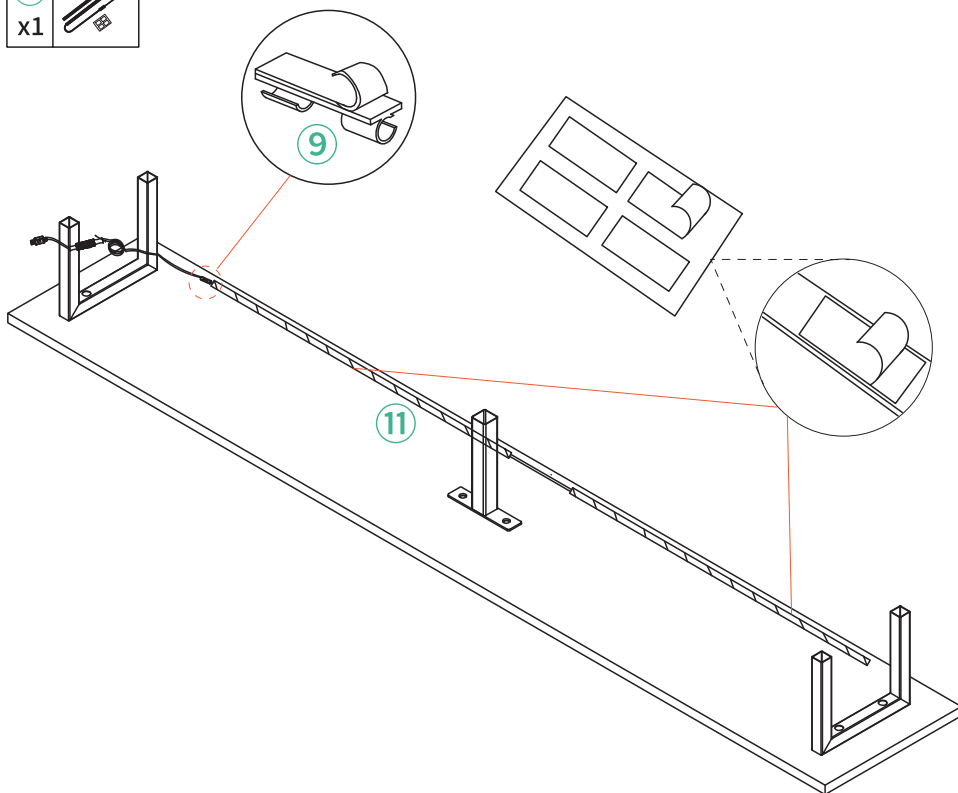
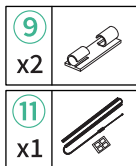


B x1	
O x2	
Q x1	
② x4	
④ x2	
⑫ x1	

Assembly Instructions

L-15

Use 3M adhesive tape to attach the light strip to board B, while you can use a wire clip ⑨ to fix the wires.

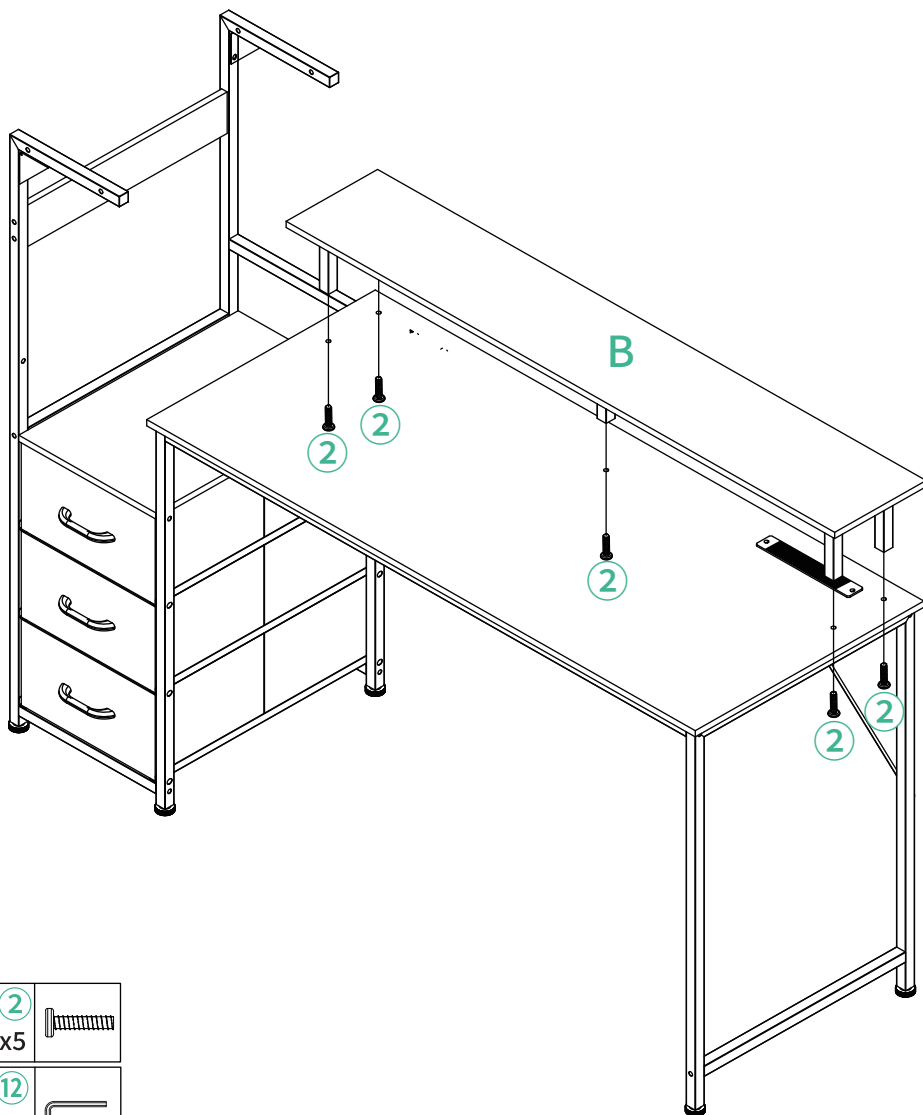


Assembly Instructions

L-16

Install the assembled monitor stand onto the desktop.

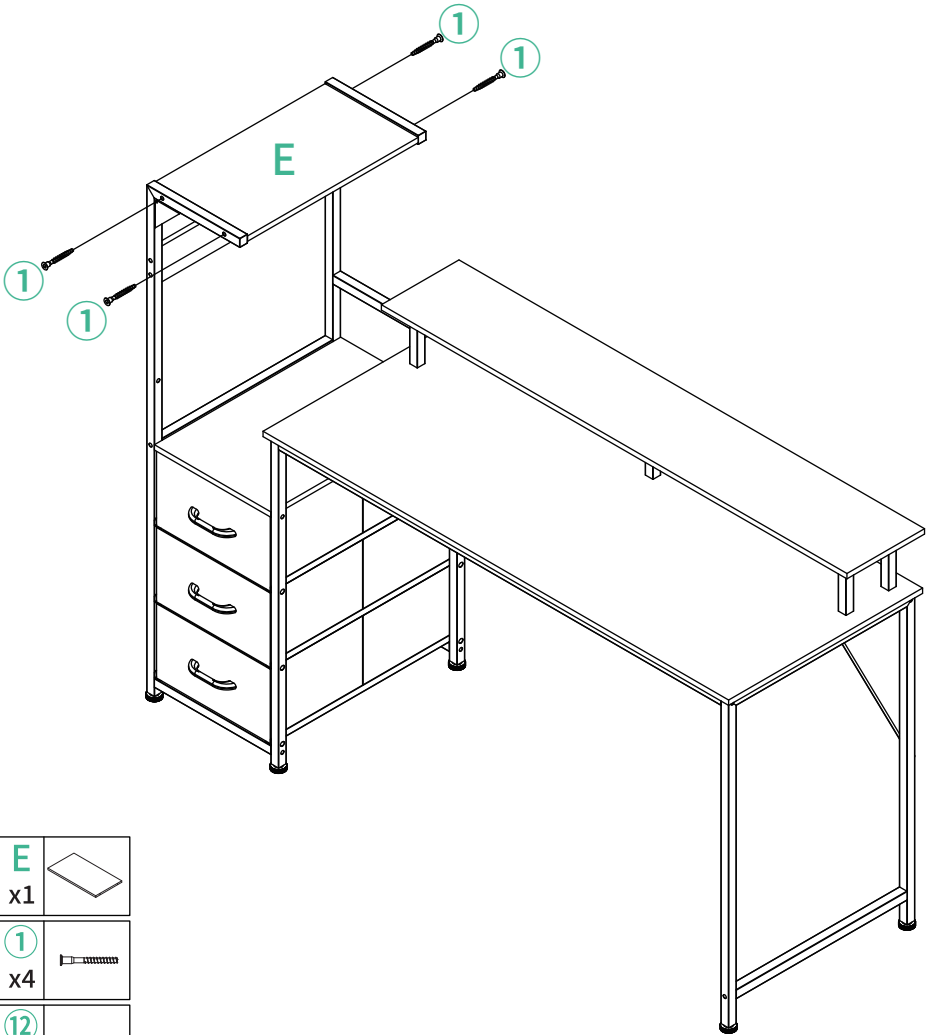
Please follow the illustration to select the correct screw ②.


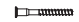



Assembly Instructions

L-17

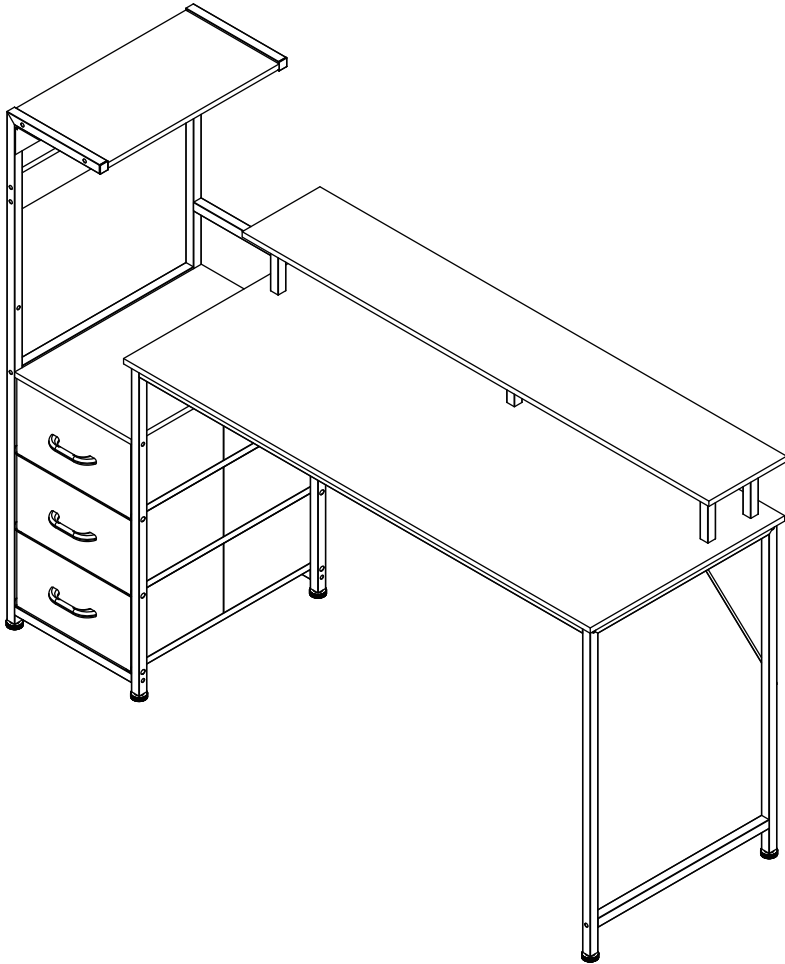
Install board E.



E x1	
1 x4	
12 x1	

L-18

Finishing.



C

Static Color Button

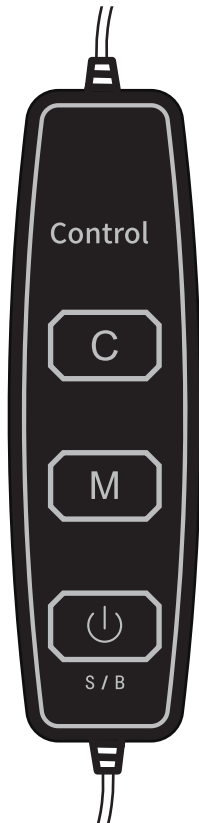
M

Dynamic Mode Button

⏻

S / B

Speed & Brightness
and Power Button



STATIC COLOR BUTTON

Press this button once to switch to the static color mode, and then each pressing can change the color.

DYNAMIC MODE BUTTON

Press this button once to switch to the dynamic mode effect, and then each pressing can change the dynamic mode.

Press this button for more than 3s to switch to the demo mode; In the demo mode, the strip will automatically cycle through various dynamic modes.

SPEED & BRIGHTNESS AND POWER BUTTON

A. In the static mode, press this button to adjust the brightness of the light bar; each press can switch to a brightness level.

B. In the dynamic mode, press this button to adjust the dynamic mode speed; each press can switch to a speed level.

C. Press and hold this button to shut it down when the strip is on. Press this button to turn it on when the strip is off.

The product has a power-off memory function; the strip can restore the color, brightness, and mode in the next power-on.



30 DAY Return Policy

If you're not completely satisfied with your purchase, please return the merchandise via our Official Customer Support. Unused merchandise can be refunded or exchanged within 30 days of purchase.



1-Year Warranty

We guarantee your product is free from defects in product material and workmanship for one (1) year starting from the date of purchase during normal use of household conditions. If your appliance fails to operate properly within our warranty period, we will arrange a new one. Replacement is free and all shipping costs are covered.



Quick Response within 24 Hours

If you are still unable to resolve the issue you are experiencing, please contact us immediately via our support email. It doesn't matter if the product has been installed or not, our customer support team will respond within 24 hours and assist you quickly and efficiently. The most efficient way to confirm your problem to us is to attach a video, which illustrates your product issues.

Problems You May Encounter

PART	PROBLEM	SOLUTION
Whole Product	Parts are missing, defective or having wrong parts in package.	You can contact us and we will get back to you within 24 hours. Or, you can reach us via after-sales email.
	Having issue(s) while reading the instruction or completing the assembly.	You can contact us and we will get back to you within 24 hours. Or, you can reach us via after-sales email.
	Encountering non-human caused damage during usage.	If the product is damaged due to non-human causes, please keep the product and send us photos of it. We will ascertain the cause of the product damage within 48 hours and provide you with a satisfactory solution.
Table Surface	Board Surface is broken, scratched or lack of somescrew holes.	You can contact us and we will get back to you within 24 hours. Or, you can reach us via after-sales email.
	The screw holes that on the board and the steel frame don't line up.	1. Please tighten the screws on the board by 70%, do not tighten completely. 2. Adjusting board and steel frame until the screw holes are lined up, then tighten all the screws.
	The desk board is uneven or not tight that has gaps after being assembled.	1. Loosen the screws in the uneven or gap positions; adjust until the desktops are flat and tight, and then tighten the screws. 2. If your problem still can't be solved, please feel free to contact us.
Steel Frame	The steel frame is bent, broken, painted, rusted or damaged.	You can contact us and we will get back to you within 24 hours. Or, you can reach us via after-sales email.
	The table is unstable after being assembled.	1. Check if the screws are tightened. 2. Read throughout the manual, check are there any parts installed incorrectly or missing assembled. 3. If your problem still can't be solved, please feel free to contact us.
	Encountering non-human caused damage during usage.	If the product is damaged due to non-human causes, please keep the product and send us photos of it. We will ascertain the cause of the product damage within 48 hours and provide you with a satisfactory solution.

We are committed to providing our customers with premium quality products and convenient customer service.